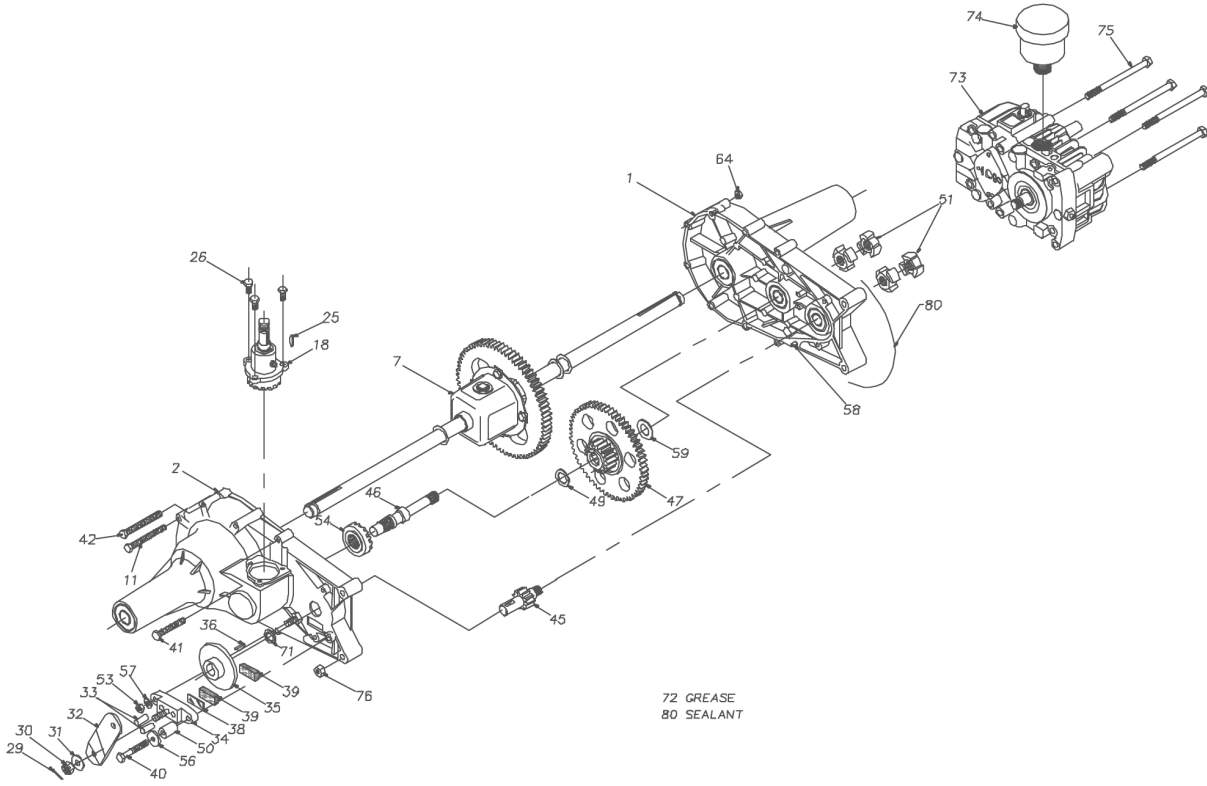


53036

Parts Breakdown

53036
215-1010S



72 GREASE
80 SEALANT


P.1 of 2. 70074-SB

Parts Breakdown

#	PART #	DESCRIPTION	QTY	Note
1	62781	ASSY HOUSING, LH ASSY HOUSING, LH HOUSING, LH	1 1 1	
		BALL BEARING, 3/4 ID X 40MM X 12MM	2	
		BALL BEARING, .62 ID X 1.38 X .44	2	
2	62780	ASSY HOUSING, RH ASSY HOUSING, RH HOUSING, RH	1 1 1	
		BALL BEARING, 3/4 ID X 40MM X 12MM	2	
		BALL BEARING, 35 OD X 15 ID	1	
		BALL BEARING, .62 ID X 1.38 X .44	1	
7	70040	ASSY DIFFERENTIAL (COMPLETE) ASSY DIFFERENTIAL LH AXLE, 3/4 DIA. RH AXLE, 3/4 DIA. MITER GEAR HEX JAN NUT, 1/2-20 FLANGE BEARING, 3/4 ID X 7/8 OD DIFFERENTIAL HOUSING FLANGE BEARING, 3/4 ID X 1.0 OD DIFFERENTIAL GEAR MITER GEAR, 1/2 ID CROSS SHAFT THRUST BEARING, 1 /2 X 1 OD RETAINING RING DIFEERENTIAL LOCKING BOLT	1 1 1 1 2 2 1 1 1 1 2 1 1 1 2 1 2 4	
11	44606	SCREW 5/16-18 X 3.75 HH	2	
18	62636	KIT, INPUT PINNION HSG INPUT SHAFT RETAINING RING #5100-62 RETAINING RING #5100-43 INPUT HOUSING NEEDLE BEARING THRUST BEARING NTA-1018 THRUST RACE TRA-1018 KEY, HI-PRO INPUT 17T PINION WASHER NEEDLE BEARING GREASE FITTING	1 1 1 1 1 1 1 2 1 1 1 1 1 1 1 1 1	
25	44136	KEY 3/32 X 5/8 #4 HI PRO	1	
26	44122	SCREW 1/4-20 X .75 HHC PATCH	3	
29	44101	PIN 3/32 X 3/4 COTTER	1	
30	44142	CASTLE NUT, 5/16-24	1	
31	44130	WASHER .34 X .88 X .06WASHER .34 X .88 X .	1	
32	44613	ARM, BRAKE	1	
33	44127	PIN BRAKE ACTUATING	2	

Parts Breakdown

#	PART #	DESCRIPTION	QTY	Note
34	62589	KIT, BRAKE YOKE	1	
		SQUARE HEAD BOLT	1	
		BRAKE YOKE	1	
35	44090	DISC, BRAKE .625X2.7X.19	1	
36	44143	KEY 3/16 X 5/8 HI PRO	1	
38	44134	PLATE, PUCK	1	
39	44132	PUCK, BRAKE	2	
40	44300	SCREW 1/4-20 X 2 HH W/PATCH	1	
41	44123	SCREW 1/4-20 X 2.0 SELF TAPPING	4	
42	44124	SCREW 1/4-20 X 3.0 SELF TAPPING	4	
45	44083	SHAFT PINION 11T GR	1	
46	44080	SHAFT DRIVE	1	
47	62758	ASSY REDUCTION GEAR	1	
		REDUCTION GEAR	1	
		NEEDLE BEARING	1	
		DOWEL PIN	1	
		SEAL 7/8 OD X 5/8 ID X 3/32	1	
		THRUST WASHER	1	
		WASHER, FLAT .62 ID X 1.0 OD X .05 THK	1	
		WASHER, FLAT .62 ID X 1.0 OD X .03 THK	1	
49	44371	WASHER .63 X 1.0 X .05 FLAT	1	
50	23711	SPACER .26X.57X.87	1	
51	44084	COUPLING (HALF)COUPLING	4	
53	43178	NUT 1/4-20 HEX	1	
54	44079	GEAR, DRIVE PINION 17T	1	
		GEAR, DRIVE PINION 17T	1	
56	44278	WASHER .27 X .88 X .12	1	
57	43177	WASHER .250 LOCK	1	
58	44269	PIN .188 X .5 SPRINGPIN, ROLL 3/16 DIA X 1/2 LG	2	
59	44125	WASHER .63 X 1.0 X .03 FLAT	1	
64	43083	NUT 5/16-18 HEXNUT, 5/16-18	2	
71	44378	SEAL .625 X .875 X .09 LIP	1	
72	50416	GREASE TUBE CHEMPLUS 1-LP	2	
73	BDU10S-120	TRANSMISSION	1	
74	2003081	ASSEMBLY RESERVOIR	1	
75	44820	SCREW 5/16-18 X 4.5 HHC W/PATCH	4	
76	43063	HEX NUT, 5/16-18	2	
		HEX NUT, 5/16-18	2	
80	50928	SEALANT TUBESEALANT TUBE 10.1 OZ	1	