



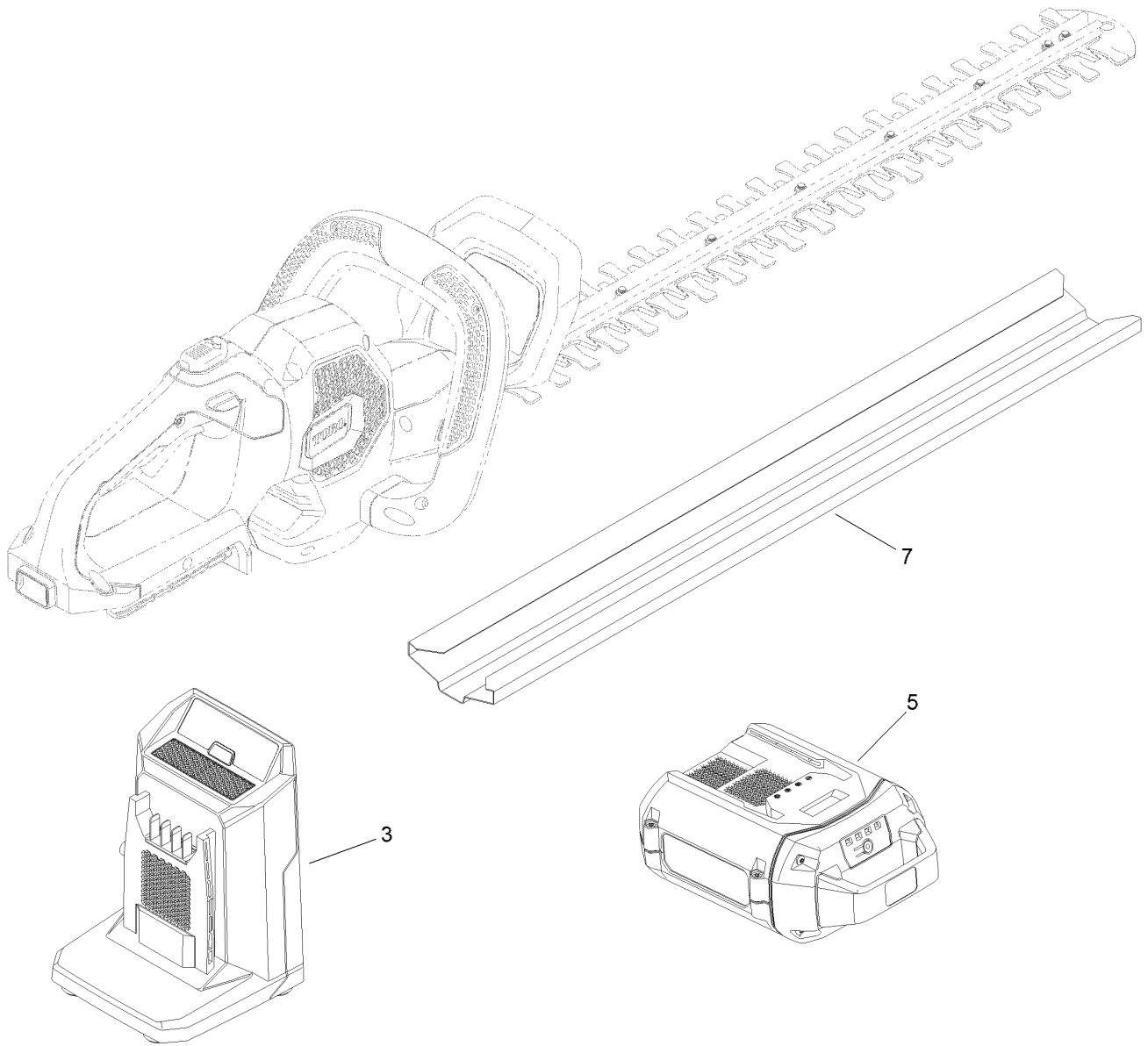
Count on it.

Parts Catalog

Flex-Force Power System™
24in 60V Hedge Trimmer

Model No. 51840—Serial No. 320000001 and Up





Cordless 60V Hedge Trimmer Assembly

<i>Ref.</i>	<i>Part Number</i>	<i>Qty.</i>	<i>Description</i>
3	88602	1	Charger-Battery, 60V 2 Amp
5	88625	1	Battery-Li Ion, 60V 2.5 Ah
7	139-5265	1	Sleeve-Blade, Hedge Trimmer

Attachments and Accessories

For 51840 Flex-Force Power System 24in 60V Hedge Trimmer

Product Name	Model/Part
60V Battery Charger 1 AMP	88610
60V Battery Charger 2 AMP	88602
60V Rapid Battery Charger 5.4 AMP	88605
60V 2.0 AH Battery	88620
60V LI-ION Battery 2.5 AH.....	88625
60V LI-ION, Battery 4.0 AH	88640
60V LI-ION Battery 5.0 AH.....	88650
60V LI-ION Battery 6.0 AH.....	88660
60V LI-ION Battery 7.5 AH.....	88675



Count on it.