



Count on it.

Parts Catalog

**Power Max[®] e24 60V
Snowthrower**

Model No. 39924—Serial No. 411732000 and Up



Ordering Replacement Parts

To order replacement parts, please supply the part number, the quantity, and the description of each part desired.

Understanding Reference Numbers

Each identified part in an illustration has a reference number. The reference number for a part also appears in the parts list, along with other information about the part.

This catalog uses two special reference number formats, one to indicate parts in a service assembly and another to indicate the quantity of a given part in an illustration.

Service Assembly Reference Numbers

Parts in service assemblies have reference numbers in the form a:b. The a represents the reference number of the entire service assembly and the b represents a sequential number unique to each part within the service assembly.

For example, a wheel assembly might be identified by reference number 6, the tire by 6:1, the valve by 6:2, and the wheel by 6:3. When you order the assembly identified by reference number 6, you receive all parts identified by reference numbers 6:1, 6:2, and 6:3. However, you may also order any part individually. Reference numbers of this type appear in illustration and in parts lists.

Reference Numbers Indicating Quantity

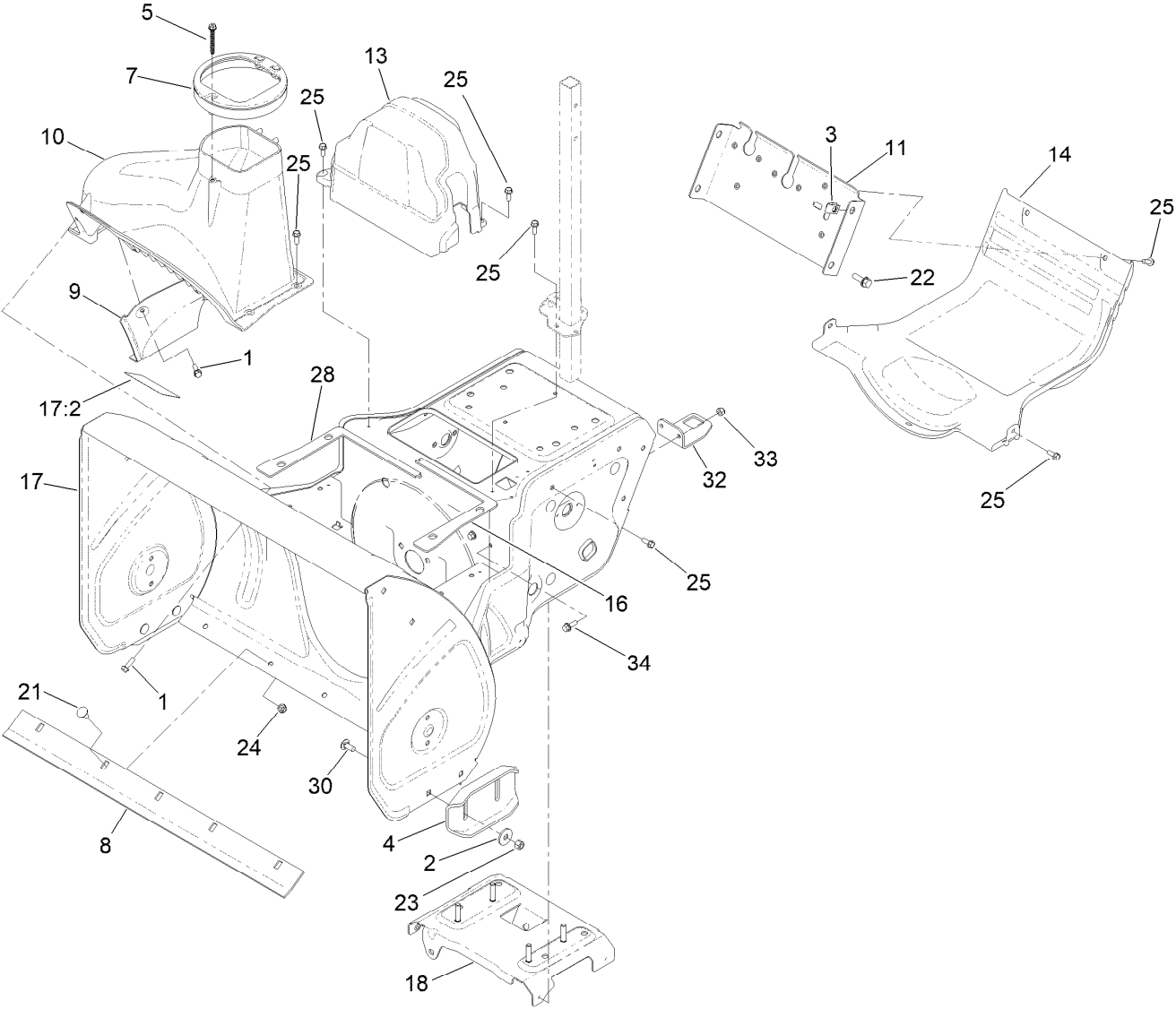
In an illustration, if a reference number indicates more than one part, the reference number has the form nX y. The n represents the quantity of the part, the X is the multiplication symbol, and the y represents the reference number.

For example, in an illustration, the reference number 2X 37 means that two of the parts identified by reference number 37 are indicated.

Contents

Main Frame and Auger Housing Assembly	4
Pulley and Bellcrank Assembly	6
Impeller Drive Assembly	8
Drive Assembly	10
Gearbox, Auger and Impeller Assembly	12
24 Inch Auger Gearcase Assembly No. 120-3859	14
Impeller Assembly	16
Powerhead, Pulley and Belt Assembly	18
60 Volt Powerhead Assembly No. 139-5315	20
Chute Assembly	22
Lever Chute Control Assembly	24
Handle Assembly	26
Attachments and Accessories	28

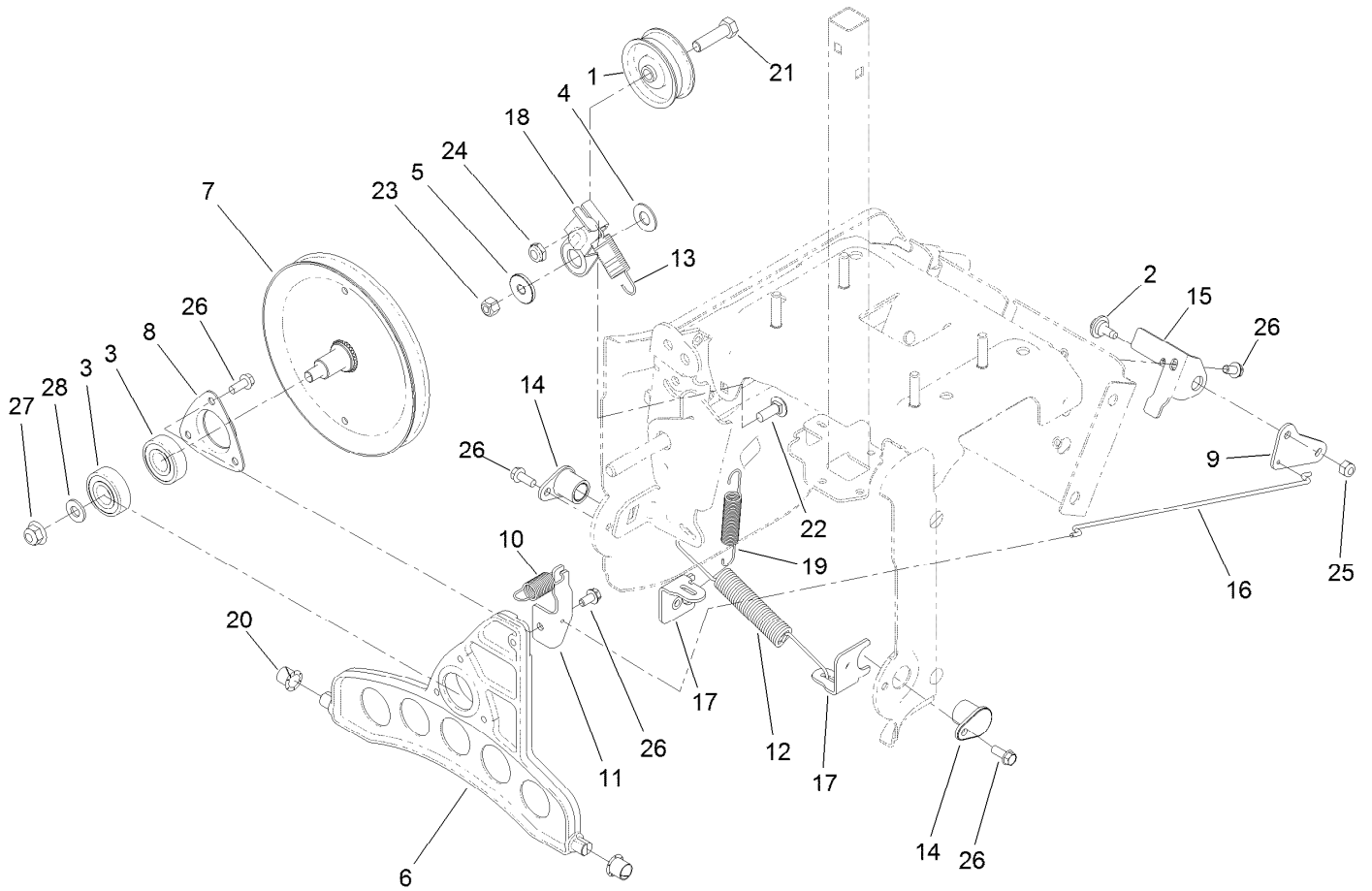
Main Frame and Auger Housing Assembly



Main Frame and Auger Housing Assembly (continued)

<i>Ref.</i>	<i>Part Number</i>	<i>Qty.</i>	<i>Description</i>	<i>Ref.</i>	<i>Part Number</i>	<i>Qty.</i>	<i>Description</i>
1	46-8091	6	Screw-HWH	17	139-3690	1	Frame (ASM Compact 2 Stage 24In W/Decal)
2	52-2861	4	Washer				
3	94-2413	4	Nut-U	17:2	121-6817	1	Decal-Danger, Auger
4	106-4588-01	2	Skid	18	139-5270	1	Brace-Frame
5	114-3751	1	Screw-HWH, Plastite	21	3230-18	5	Screw-CARR
7	138-3608	1	Guide-Chute	22	3234-29	4	Screw-HHF
8	119-7601-01	1	Scraper-24 Inch	23	3296-29	4	Nut-Lock, NI
9	120-7158-01	1	Cover-Liner	24	3296-47	5	Nut-Lock,NI
10	120-7159	1	Cover	25	32144-85	17	Screw-HWH
11	120-7161-01	1	Brace-Frame	28	121-6841	1	Seal-Housing, RH
13	120-7177	1	Cover-Belt	30	3230-23	4	Bolt-CARR
14	120-7178	1	Cover-Lower	32	137-3410-03	1	Bracket-Post, Chute
16	120-7181	1	Seal-Housing, LH	33	120-9678	2	Screw-HHF
17	138-3656-01	1	Frame-Cts, 24 [red]	34	137-3094	2	Nut-Hex

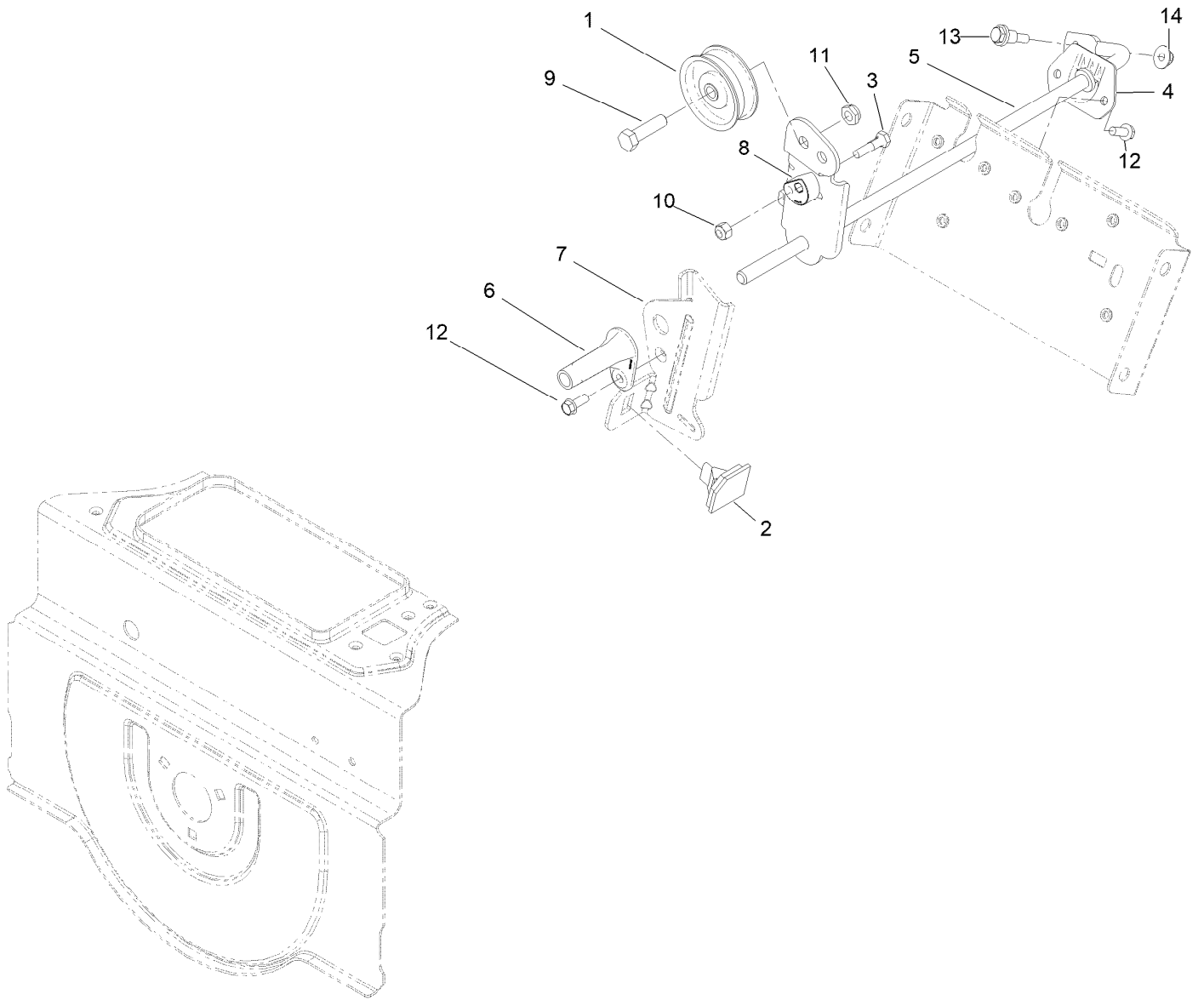
Pulley and Bellcrank Assembly



Pulley and Bellcrank Assembly (continued)

<i>Ref.</i>	<i>Part Number</i>	<i>Qty.</i>	<i>Description</i>	<i>Ref.</i>	<i>Part Number</i>	<i>Qty.</i>	<i>Description</i>
1	3-4244	1	Pulley-Idler	15	120-7165-03	1	Bracket-Bellcrank
2	92-9698	1	Screw-Shoulder	16	136-7155	1	Link-Drive
3	38-7820	2	Bearing-Ball	17	120-9271	2	Bracket-Anchor, Spring
4	25-5640	1	Washer	18	136-7159	1	Arm-Idler, Traction
5	117-7711	1	Bushing-Idler	19	120-9275	1	Spring-Extension
6	119-7645	1	Plate-Wheel, Friction	20	256-257	2	Bushing-Nyliner
7	136-7152	1	Traction Pulley ASM	21	323-29	1	Screw-HH
8	136-7124	1	Retainer-Bearing	22	3230-10	1	Bolt-CARR
9	119-7670-03	1	Bellcrank-Drive	23	3296-29	1	Nut-Lock, NI
10	136-7153	1	Spring-Extension	24	3296-59	1	Nut-Lock, NI
11	119-7679	1	Bracket-Plate, Traction	25	3296-73	1	Nut-Lock, NI
12	120-3883	1	Spring-Extension	26	32144-85	7	Screw-HWH
13	137-3435	1	Spring-Extension	27	104-8301	1	Nut-HF, NI
14	120-7156	2	Bushing-Plate, Traction	28	3256-24	1	Washer-Flat

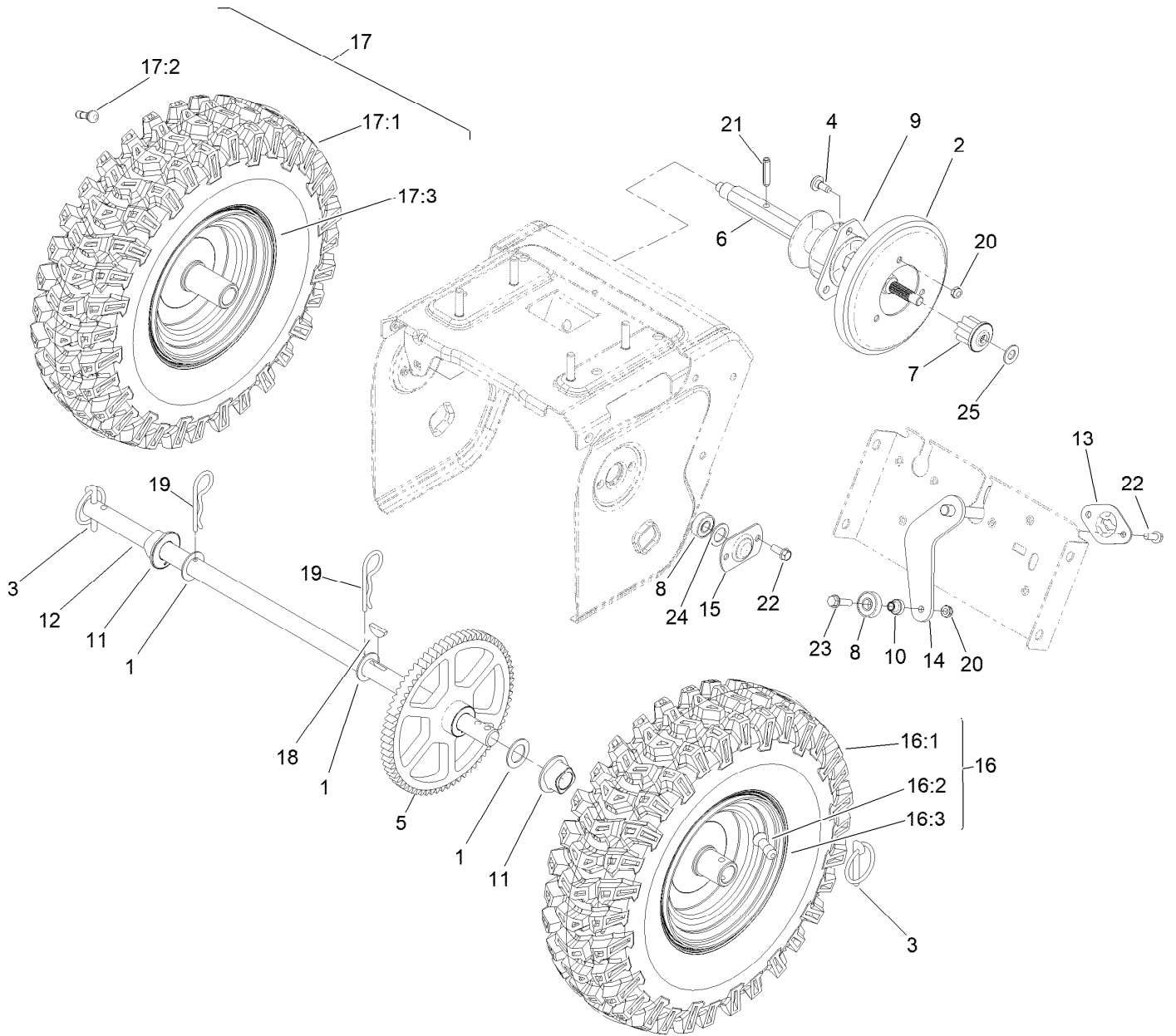
Impeller Drive Assembly



Impeller Drive Assembly (continued)

<i>Ref.</i>	<i>Part Number</i>	<i>Qty.</i>	<i>Description</i>	<i>Ref.</i>	<i>Part Number</i>	<i>Qty.</i>	<i>Description</i>
1	3-4244	1	Pulley-Idler	8	120-9276	1	Eccentric-Brake, Impeller
2	66-8060	1	Pad-Brake	9	323-29	1	Screw-HH
3	136-8674	1	Bolt-Pivot, Eccentric	10	3296-42	1	Nut-Lock, NI
4	120-7167	1	Bushing-Rod, Clutch	11	3296-59	1	Nut-Lock, NI
5	120-9254-03	1	Impeller Clutch ASM	12	32144-85	3	Screw-HWH
6	120-9256	1	Pivot-Brake, Impeller	13	104-0858	1	Bolt-Shoulder
7	120-9257-03	1	Arm-Brake, Impeller	14	137-3016	1	Nut-HF

Drive Assembly



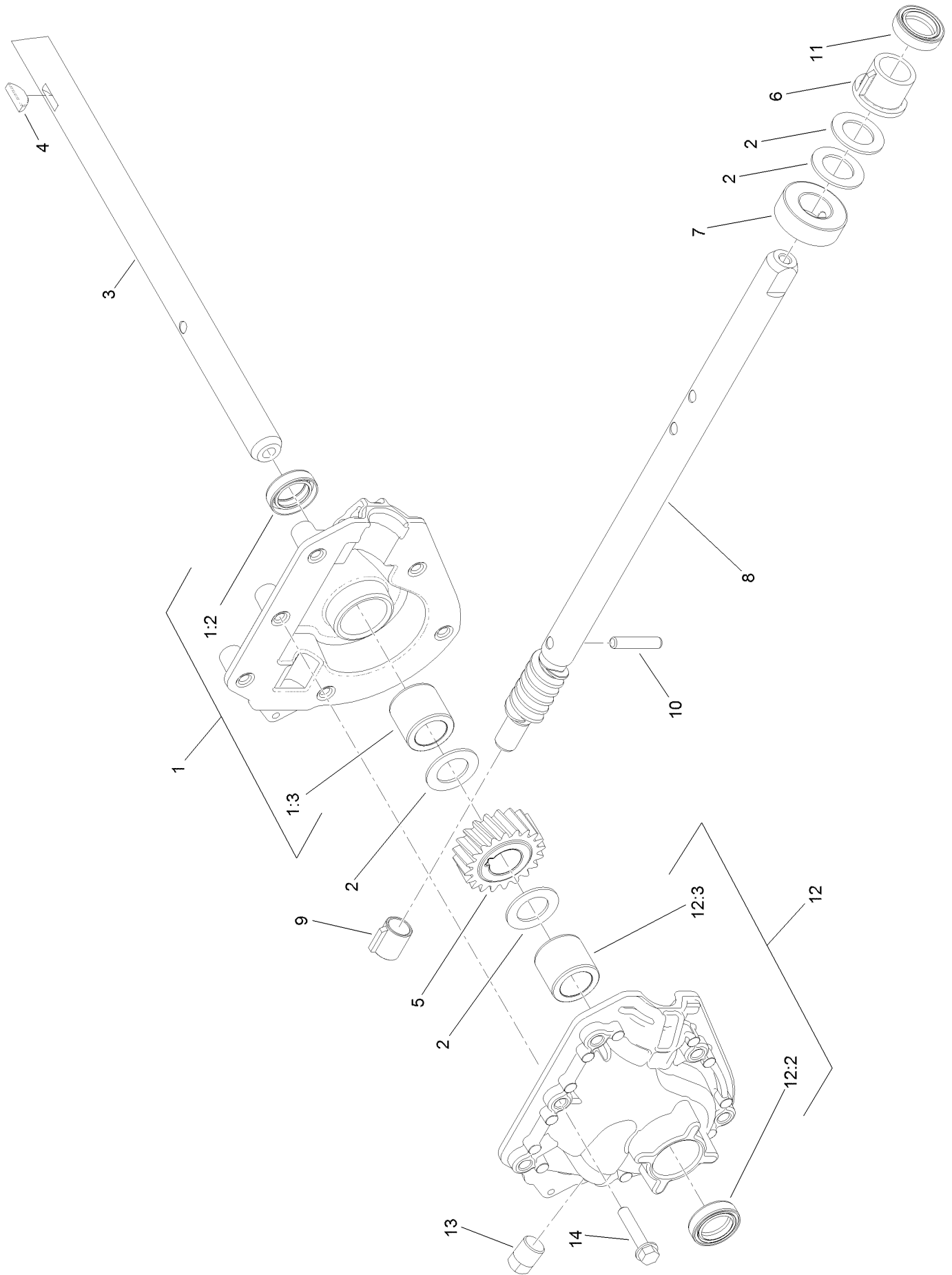
Drive Assembly (continued)

<i>Ref.</i>	<i>Part Number</i>	<i>Qty.</i>	<i>Description</i>	<i>Ref.</i>	<i>Part Number</i>	<i>Qty.</i>	<i>Description</i>
1	3-8664	3	Washer-Thrust	16:1	138-3669	1	Wheel (15X4 Tire)
2	119-1567	1	Wheel-Friction	16:2	232-27	1	Stem-Valve
3	107-3039	2	Pin-Lynch	16:3	138-3668	1	Tire
4	120-7950	3	Screw-Torx	17	138-3659	1	RH Wheel And Tire ASM
5	119-7613	1	Gear-Axle	17:1	138-3669	1	Wheel (15X4 Tire)
6	140-3745	1	Shaft-Hex	17:2	232-27	1	Stem-Valve
7	119-7616	1	Gear-Pinion, 8 Tooth	17:3	138-3668	1	Tire
8	121-6835	3	Bearing-Ball	18	3257-7	1	Key-Woodruff
9	119-7630	1	Trunnion	19	3290-343	2	Pin-Hair
10	119-7684	1	Spacer-Plate, Shift	20	3296-56	4	Nut-Lock, NI
11	120-7162	2	Bushing-Axle	21	32121-9	1	Pin-Roll, Slotted
12	120-7180	1	Axle	22	32144-85	6	Screw-HWH
13	120-7191	1	Retainer-Plate, Shift	23	32144-86	1	Screw-HWHTF
14	120-7193-03	1	Shift Plate ASM	24	121-6840	2	Washer-Rubber
15	136-7158	2	Retainer-Bearing	25	48-9220	1	Washer-Flat
16	138-3660	1	LH Wheel And Tire ASM				

Gearbox, Auger and Impeller Assembly (continued)

<i>Ref.</i>	<i>Part Number</i>	<i>Qty.</i>	<i>Description</i>	<i>Ref.</i>	<i>Part Number</i>	<i>Qty.</i>	<i>Description</i>
2	119-7612-03	1	Impeller ASM	7	120-9290-03	1	RH Auger ASM
3	120-3859	1	Gearcase ASM	9	322-3	2	Screw-HH
4	120-3860	2	Bearing-Augur	10	3296-42	4	Nut-Lock, NI
5	120-3862	2	Washer-Thrust	11	321-10	4	Screw-HH
6	120-9287-03	1	LH Auger ASM	12	32144-70	4	Screw-HWHTF

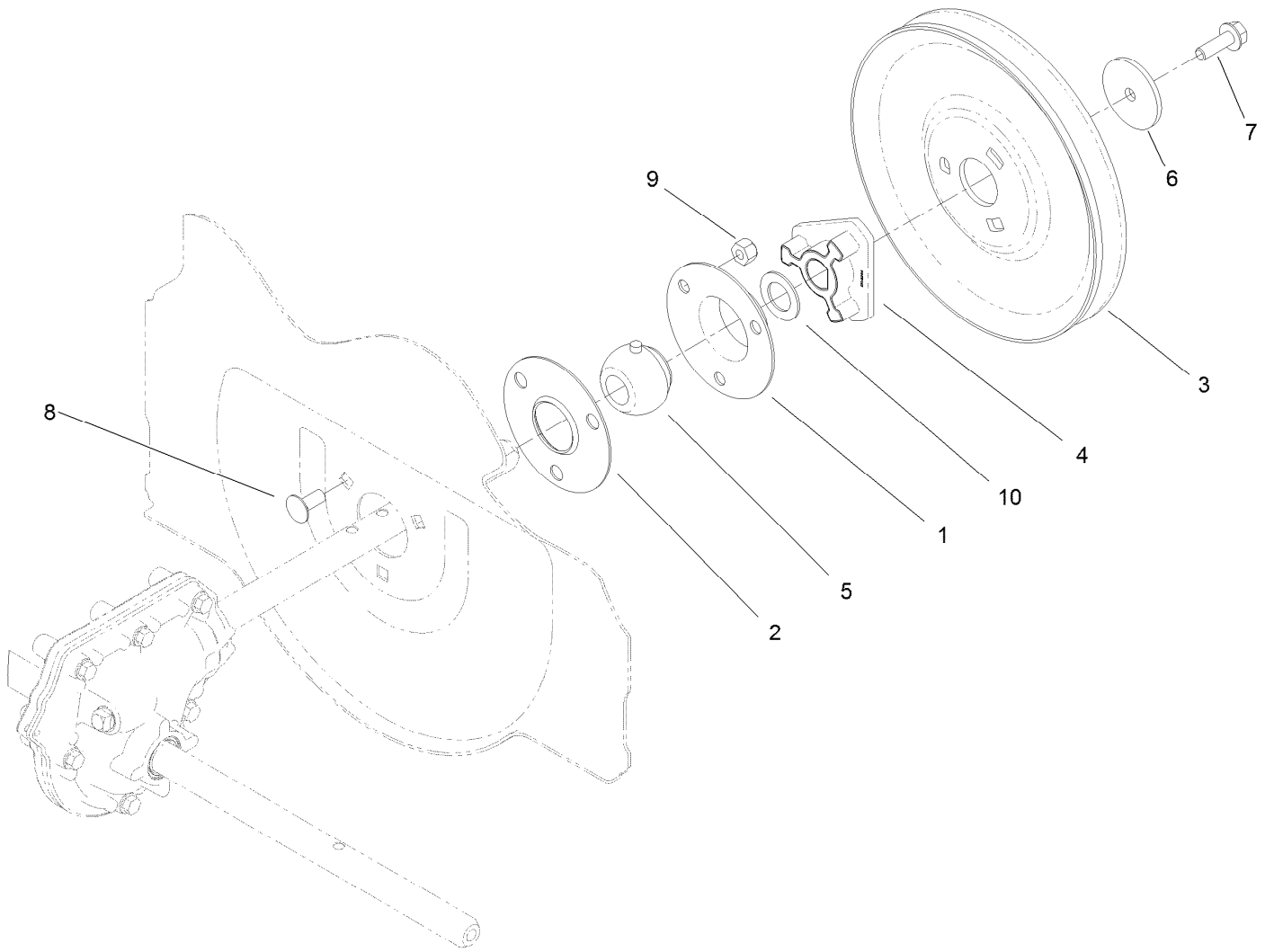
24 Inch Auger Gearcase Assembly No. 120-3859



24 Inch Auger Gearcase Assembly No. 120-3859 (continued)

<i>Ref.</i>	<i>Part Number</i>	<i>Qty.</i>	<i>Description</i>	<i>Ref.</i>	<i>Part Number</i>	<i>Qty.</i>	<i>Description</i>
1	121-1209	1	RH Auger Gearcase ASM	8	121-1234	1	Shaft-Impeller, Rolled
1:2	121-6634	1	Seal-Shaft	9	62-1150	1	Bushing-Worm
1:3	120-9269	1	Bushing-Sleeve	10	107-8899	1	Pin-Dowel
2	119-7640	4	Washer-Thrust	11	121-6634	1	Seal-Shaft
3	120-3858	1	Shaft-Output, Auger	12	121-1210	1	LH Auger Gearcase ASM
4	3257-5	1	Key-Woodruff	12:2	121-6634	1	Seal-Shaft
5	119-1576	1	Gear-Helical, 20 Tooth	12:3	120-9269	1	Bushing-Sleeve
6	119-7635	1	Bushing-Input	13	121-6832	1	Plug-Pipe, SQH
7	119-7636	1	Collar-Thrust	14	108-4862	6	Screw-HWH Thd Roll

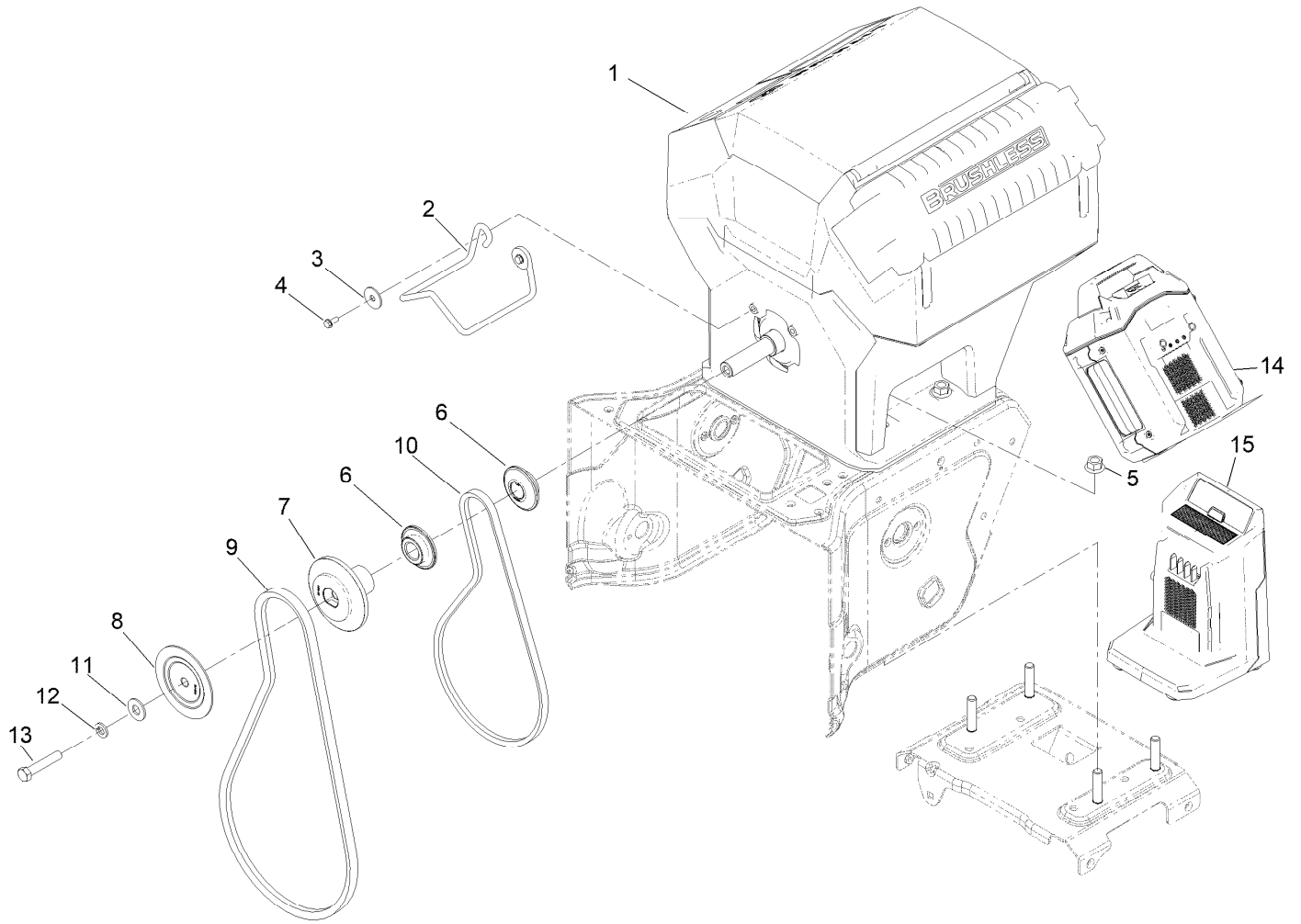
Impeller Assembly



Impeller Assembly (continued)

<i>Ref.</i>	<i>Part Number</i>	<i>Qty.</i>	<i>Description</i>	<i>Ref.</i>	<i>Part Number</i>	<i>Qty.</i>	<i>Description</i>
1	26-6110	1	Flange-Cup, Bearing	6	121-1230	1	Washer-Plain
2	26-6120	1	Flange-Cup, Bearing	7	115-5142	1	Screw-HHF
3	136-7157	1	Pulley-Impeller	8	3230-23	3	Bolt-CARR
4	120-9264	1	Hub-Impeller, Pulley	9	3296-29	3	Nut-Lock, NI
5	120-9272	1	Bearing	10	119-7640	1	Washer-Thrust

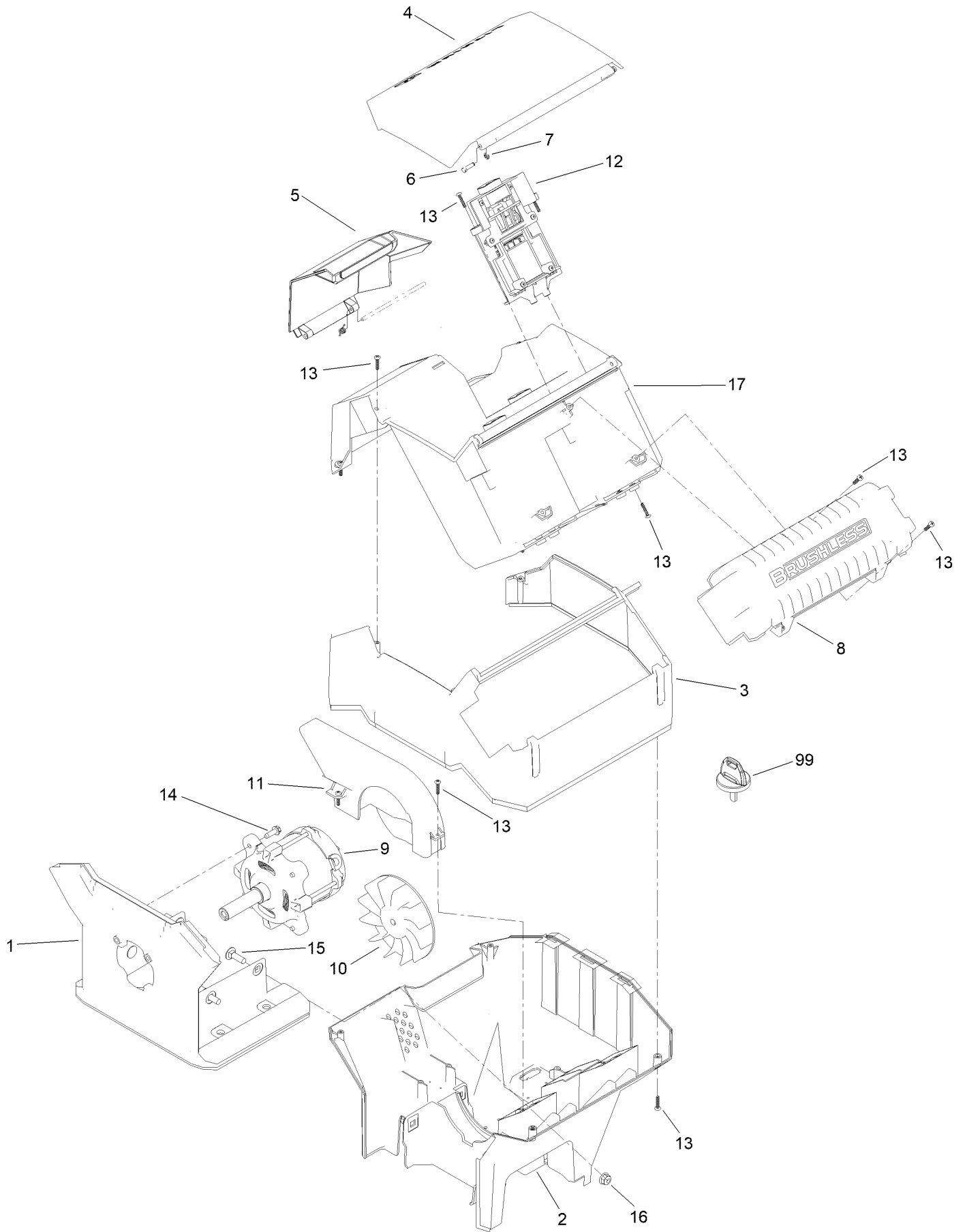
Powerhead, Pulley and Belt Assembly



Powerhead, Pulley and Belt Assembly (continued)

<i>Ref.</i>	<i>Part Number</i>	<i>Qty.</i>	<i>Description</i>	<i>Ref.</i>	<i>Part Number</i>	<i>Qty.</i>	<i>Description</i>
1	139-5315	1	Powerhead-60V	9	120-3892	1	Belt-V
2	139-5299	1	Guide-Belt	10	120-3893	1	Belt-V
3	114-9049	2	Washer-Flat,Fender	11	3256-4	1	Washer-Flat
4	139-1700	2	Screw-HWH, Thd Roll	12	3253-21	1	Washer-Lock
5	136-8683	4	Nut-Lock	13	120-2302	1	Screw-HH
6	137-3400	2	Pulley-Engine, Traction	14	137-9447	2	60V Battery, 3P 6.0Ah
7	120-9283	1	Pulley-Auger, Rear	15	137-9440	2	Charger-60V
8	120-9284	1	Pulley-Auger, Front				

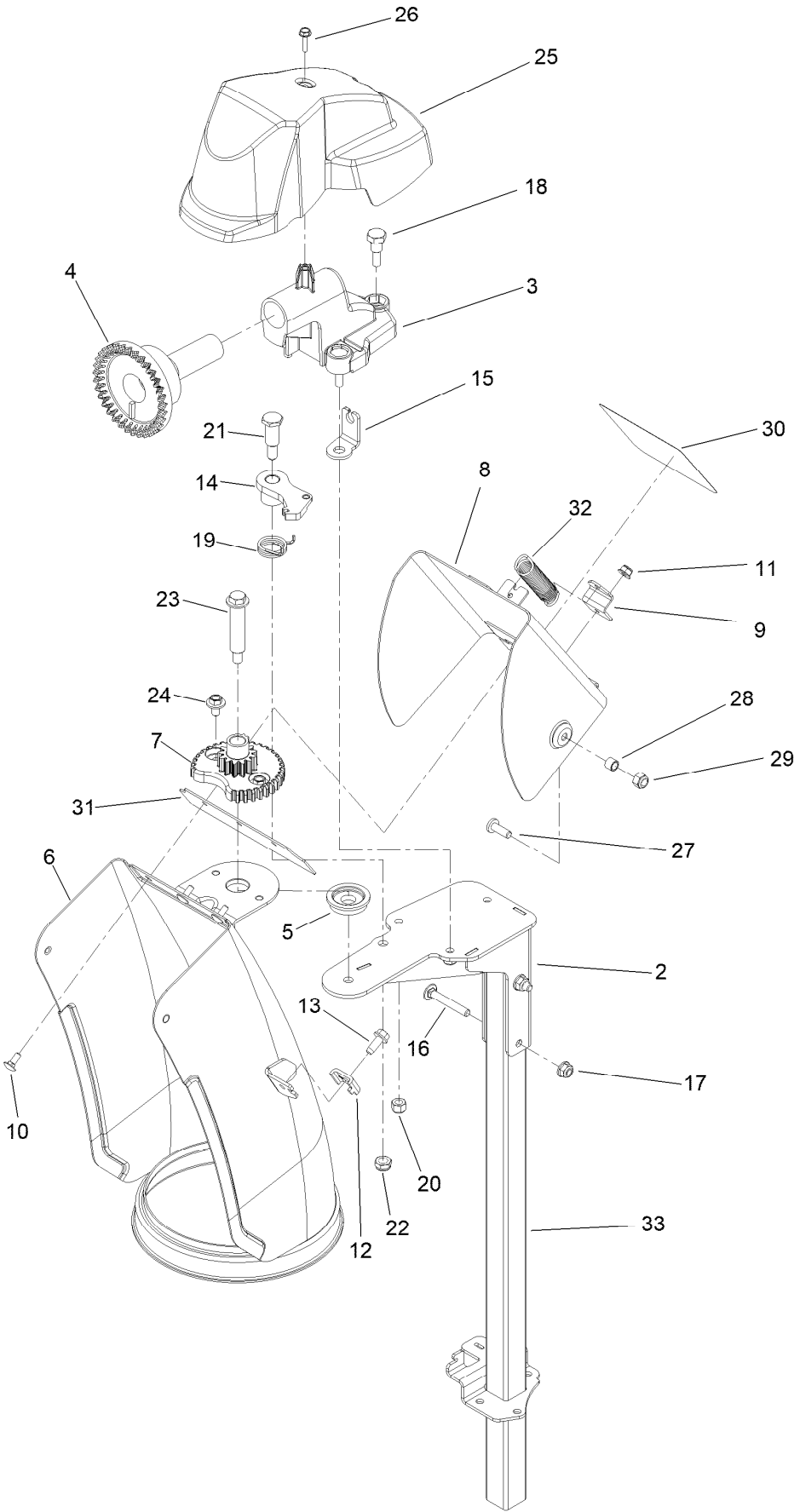
60 Volt Powerhead Assembly No. 139-5315



60 Volt Powerhead Assembly No. 139-5315 (continued)

<i>Ref.</i>	<i>Part Number</i>	<i>Qty.</i>	<i>Description</i>	<i>Ref.</i>	<i>Part Number</i>	<i>Qty.</i>	<i>Description</i>
1	139-5316	1	Motor Mount	11	139-5269	1	Cover-Fan
2	139-5317	1	Housing-Motor	12	137-9435	3	Battery Track Assembly
3	139-5318	1	Cover-Controller	13	94-4496	27	Screw-PPH
4	139-5320	1	Door-Top	14	49-2040	4	Screw-HWHTF
5	139-5321	1	Door-Bottom	15	3230-2	4	Bolt-CARR
6	144-4121	2	Pin-Battery Cover	16	104-8300	4	Nut-HF, NI
7	110-1758	2	Ring-Retaining	17	139-5319	1	Bucket-Battery
8	139-5323	1	Heatsink	99	147-1755	1	Key-60V 2 Stage Power Head
9	139-5289	1	Motor-60V, 2 Stage				
10	139-5322	1	Fan-Fc				

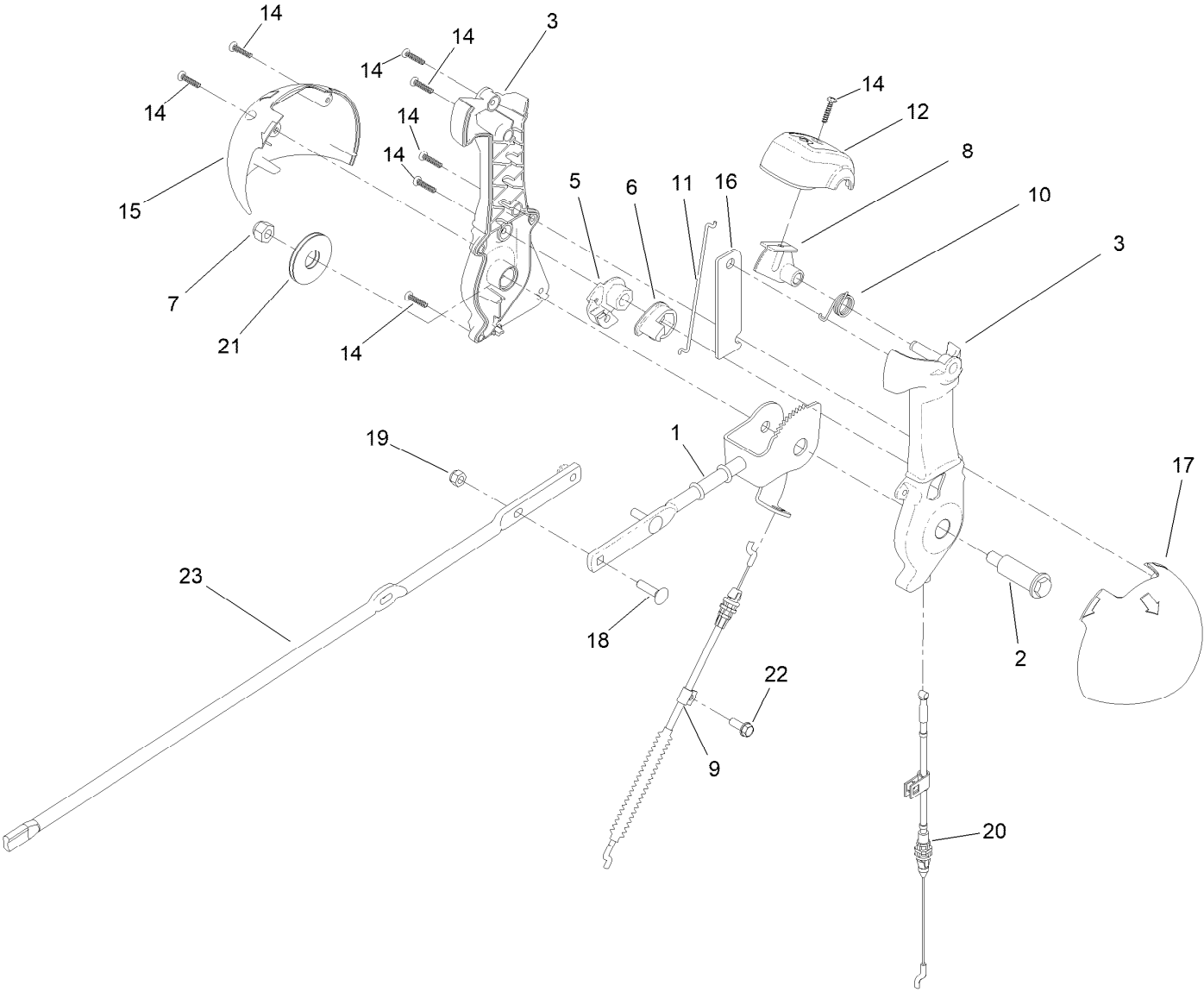
Chute Assembly



Chute Assembly (continued)

<i>Ref.</i>	<i>Part Number</i>	<i>Qty.</i>	<i>Description</i>	<i>Ref.</i>	<i>Part Number</i>	<i>Qty.</i>	<i>Description</i>
2	144-1640-03	1	Support-Chute Weld ASM, Upper	18	136-7197	3	Screw-Shoulder
3	138-3606	1	Mount-Gear, Face	19	108-7315	1	Spring-Torsion
4	106-4471	1	Gear-Face	20	137-3088	3	Nut-Hex
5	106-4422	1	Spacer-Chute	21	137-3103	1	Screw-Shoulder, HH
6	138-3611-01	1	Chute	22	137-3089	3	Nut-Hex
7	106-4472	1	Gear-Chute	23	136-7199	1	Bolt-Shoulder
8	138-3615-01	1	Deflector	24	32144-4	2	Screw-HWH
9	138-3612-01	1	Bracket-Spring	25	138-3627	1	Cover-Chute, Gear
10	135-1929	3	Bolt-CARR	26	98-1375	1	Screw-HWH
11	138-0719	3	Nut-HF	27	138-0689	1	Screw-PH
12	136-7191	1	Clamp-Cable	28	138-3678	1	Spacer
13	137-3043	1	Screw-HWH	29	137-3094	1	Nut-Hex
14	106-4476	1	Latch-Chute	30	137-6198	1	Decal-Danger
15	138-3607	1	Anchor-Cable	31	138-3671	1	Gasket-Deflector
16	120-9698	2	Bolt-CARR	32	138-8493	1	Spring-Chute, Upper
17	119-4040	2	Nut-HF, NI	33	144-1642-03	1	Chute Support ASM [black]

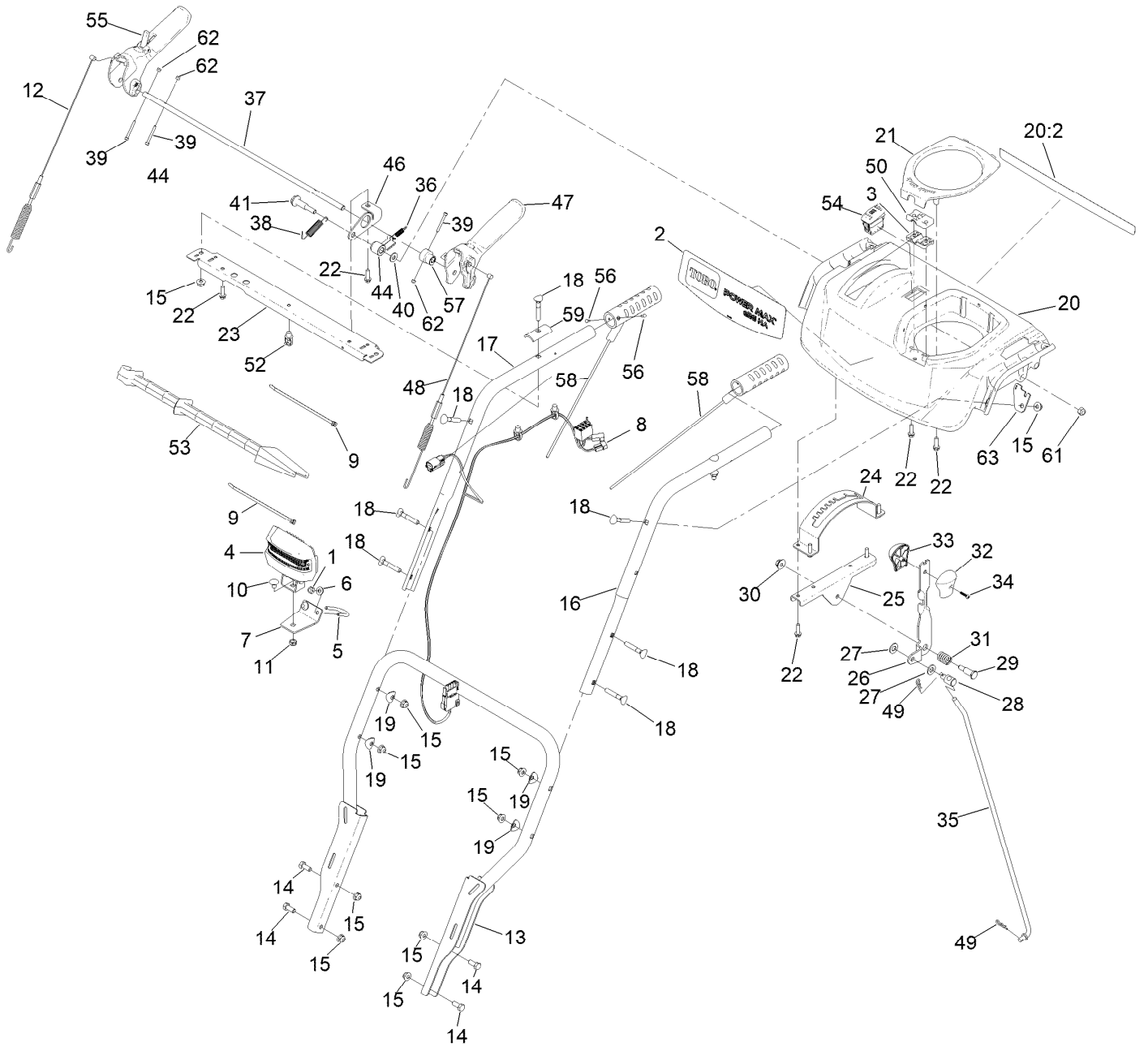
Lever Chute Control Assembly



Lever Chute Control Assembly (continued)

<i>Ref.</i>	<i>Part Number</i>	<i>Qty.</i>	<i>Description</i>	<i>Ref.</i>	<i>Part Number</i>	<i>Qty.</i>	<i>Description</i>
1	138-0662	1	Rod-Control, Chute	14	94-4496	8	Screw-PPH
2	138-0659	1	Screw-Shoulder, HWH	15	136-6677	1	Globe-Quickstick, RH
3	139-1552	1	Chute Control Lever ASM	16	136-6632	1	Plate-Stiffner
5	105-9988	1	Lever-Cable, Deflector	17	136-6678	1	Globe-Quickstick, LH
6	106-7310	1	Pawl-Latch	18	137-3056	3	Bolt-CARR
7	137-3087	1	Nut-Hex	19	137-3094	3	Nut-Hex
8	137-6238	1	Trigger-Latch	20	144-1237	1	Cable-Rotation, Chute
9	138-3672	1	Cable-Control, Deflector	21	138-0744	1	Washer-Friction, Composite
10	105-9982	1	Spring-Torsion	22	32144-85	1	Screw-HWH
11	138-0688	1	Link-Latch	23	138-3635	1	Rod-Chute
12	137-6239	1	Cap-Lever				

Handle Assembly



Handle Assembly (continued)

<i>Ref.</i>	<i>Part Number</i>	<i>Qty.</i>	<i>Description</i>	<i>Ref.</i>	<i>Part Number</i>	<i>Qty.</i>	<i>Description</i>
1	137-3094	2	Nut-Hex	30	137-3038	1	Nut-HF
2	145-0888	1	Decal - Console	31	136-7121	1	Spring-Compression
3	139-3587	1	Support-Rod, Lower	32	105-9999	1	Knob-Shift, LH
4	138-0670	1	LED Light ASM	33	106-4423	1	Knob-Shift, RH
5	136-7120	1	Clamp-Light	34	94-4496	1	Screw-PPH
6	137-3072	2	Washer-Flat	35	145-0696	1	Rod-Shift
7	127-5961-03	1	Bracket-Light	36	136-7161	1	Spring-Lockout, Handle
8	145-0898	1	Harness-Wire, LED Light	37	144-1343	1	Rod-Lockout
9	614249	3	Tie-Cable	38	136-7162	1	Spring-Return, Lever
10	3230-19	1	Bolt-CARR	39	145-0660	3	Screw-HSH,Spl
11	137-3089	1	Nut-Hex	40	98-3499	1	Washer-Flat
12	121-6812	1	Cable-Auger	41	145-0687	1	Screw-Shoulder
13	139-3574-03	1	Handle-Lower, Weld ASM	44	144-1342	1	Latch, Lockout
14	137-3052	4	Screw-HH	46	145-0677-03	1	Bracket-Interlock
15	138-8401	12	Nut-HF	47	144-1347	1	Lever-Control
16	137-6206-03	1	Handle-Upper, LH	48	144-0323	1	Cable-Traction
17	137-6207-03	1	Handle-Upper, RH	49	137-3083	2	Pin-Hair
18	137-3107	8	Screw-Handle	50	139-3588	1	Support-Rod, Upper
19	137-3009	4	Washer-Cup	52	32180-030	1	Clip-Tie
20	145-0665	1	Control Panel Assembly	53	110-3408	1	Stick-Cleanout
20:2	137-6249	1	Decal-Safety	54	99-7420	1	Plug-Hole
21	137-6178	1	Cover-Quickstick	55	145-0871	1	Auger Control ASM
22	137-3099	8	Screw-Plastite, HWH	56	3290-271	4	Rivet-Pop
23	145-4075-01	1	Brace-Console	57	144-1341	1	Cam-Lockout
24	137-6187-03	1	Gate-Shift	58	120-1333	2	Grip-Handle
25	137-6188-03	1	Bracket-Shift	59	145-0872-03	1	Handle Saddle
26	144-2827-03	1	Selector-Speed	61	137-3093	1	Nut-Hex
27	115-1166	2	Washer-Flat	62	140-3749	3	Nut-Lock Rohs
28	136-7193	1	Trunnion-Rod	63	144-1345	1	Plate-Spring
29	137-3103	1	Screw-Shoulder, HH				

Attachments and Accessories

For 39924 Power Max e24 60V Snowthrower

Product Name	Model/Part
Weight Kit	107-3815
Snow Cab Kit.....	127-5960
Non-Marking Skid Kit.....	38211
Heavy-Duty Skid Kit.....	38212
Drift Breaker Kit	38213
Toro 2-Stage Cover.....	490-7466
Plain 2-Stage Cover.....	490-7467
60V Battery Charger 2 AMP	88602
60V Rapid Battery Charger 5.4 AMP	88605
60V LI-ION Battery 6.0 AH.....	88660
60V LI-ION Battery 7.5 AH.....	88675

Notes:

Notes:

Notes:



Count on it.