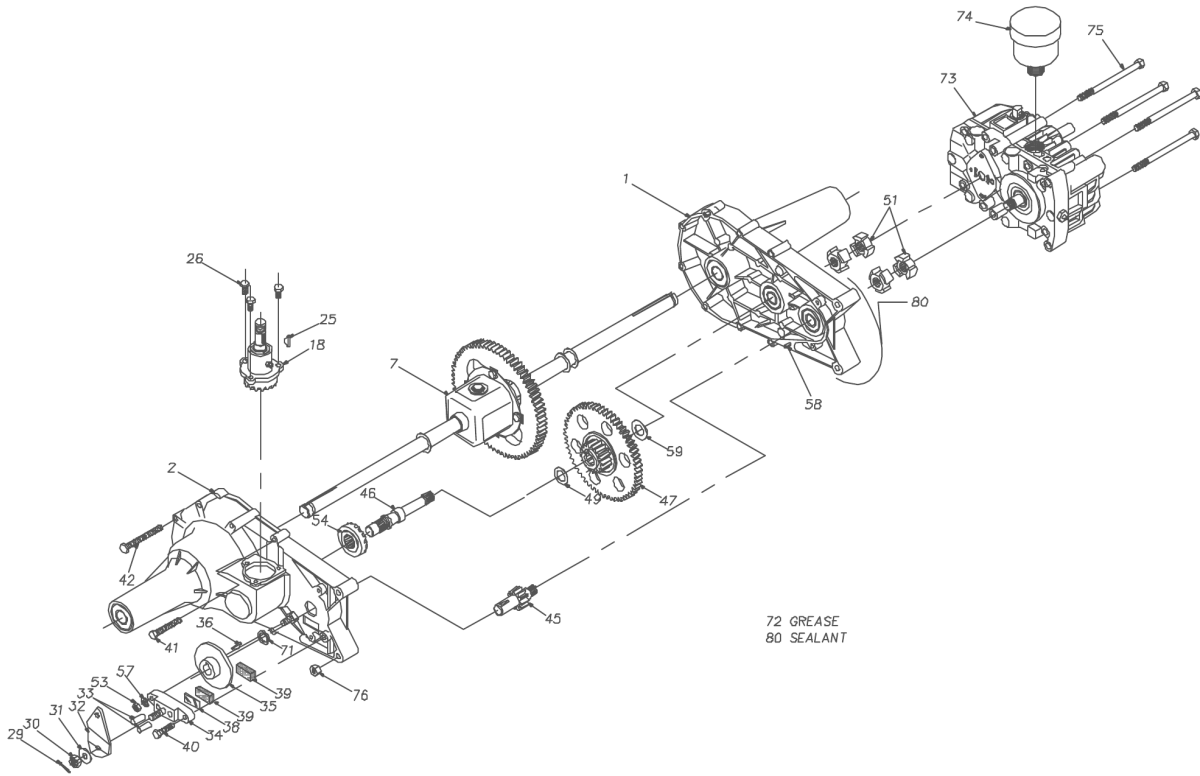


326768

Parts Breakdown

326768
213-1010S



72 GREASE
80 SEALANT



Parts Breakdown

#	PART #	DESCRIPTION	QTY	Note
1	62587	KIT, HSG LH	1	
		HOUSING, LH	1	
		BALL BEARING, 3/4 ID X 40MM X 12MM	2	
		BALL BEARING, .62 ID X 1.38 X .44	2	
2	62586	KIT, HSG RH	1	
		HOUSING, RH	1	
		BALL BEARING, 3/4- ID X 40MM X 12MM	2	
		BALL BEARING, .35 OD X 15 ID	1	
		BALL BEARING, .62 ID X 1.38 X .44	1	
7	62634	KIT, DIFF	1	
		LH AXLE, 3/4 DIA.	1	
		RH AXLE, 3/4 DIA.	1	
		MITER GEAR	2	
		HEX JAM 1 NUT, 1/2-20	2	
		FLANGE BEARING, 3/4 ID X 7/8 OD	1	
		DIFFERENTIAL HOUSING	1	
		FLANGER BEARING, .3/4 ID X 1.0 OD	1	
		DIFFERENTIAL GEAR	1	
		MITER GEAR, 1/2. ID	2	
		CROSS SHAFT	1	
		THRUST BEARING, 1/2. X 1 OD	2	
		RETAINING RING	2	
		DIFFERENTIAL LOCKING BOLT	4	
18	62578	KIT, INPUT PINION HS	1	
		INPUT SHAFT	1	
		RETAINING RING #5100-62	1	
		RETAINING RING #5100-43	1	
		INPUT HOUSING	1	
		NEEDLE BEARING	1	
		THRUST BEARING NTA-1018	1	
		THRUST RACE TRA-1018	2	
		KEY, HI-PRO	1	
		INPUT 17T PINION	1	
		WASHER	1	
		NEEDLE BEARING	1	
		GREASE FITTING	1	
25	44136	KEY 3/32 X 5/8 #4 HI PRO	1	
26	44122	SCREW 1/4-20 X .75 HHC PATCH	3	
29	44101	PIN 3/32 X 3/4 COTTER	1	
30	44142	CASTLE NUT, 5/16-24	1	
31	44130	WASHER .34 X .88 X .06WASHER .34 X .88 X .	1	
32	44094	ARM, BRAKE	1	
33	44127	PIN BRAKE ACTUATING	2	
34	62589	KIT, BRAKE YOKE	1	
		SQUARE HEAD BOLT	1	
		BRAKE YOKE	1	

Parts Breakdown

#	PART #	DESCRIPTION	QTY	Note
35	44090	DISC, BRAKE .625X2.7X.19	1	
36	44143	KEY 3/16 X 5/8 HI PRO	1	
38	44134	PLATE, PUCK	1	
39	44132	PUCK, BRAKE	2	
40	44433	BOLT 1/4-20 X 1 (PATCH)	1	
41	44123	SCREW 1/4-20 X 2.0 SELF TAPPING	4	
42	44124	SCREW 1/4-20 X 3.0 SELF TAPPING	6	
45	44083	SHAFT PINION 11T GR	1	
46	44080	SHAFT DRIVE	1	
47	62760	ASSY REDUCTION GEARREDUCTION GEAR ASSEMBLY	1	
		REDUCTION GEAR	1	
		NEEDLE BEARING	1	
		DOWEL PIN	1	
		SEAL. 7/8 OD X 5/8 ID X 3/32	1	
		THRUST WASHER	1	
		WASHER, FLAT .62. ID X 1.0 OD X .06 THK	1	
		WASHER, FLAT .62 ID X 1.0 OD X .03 THK	1	
49	44371	WASHER .63 X 1.0 X .05 FLAT	1	
51	44084	COUPLING (HALF)COUPLING	4	
53	43178	NUT 1/4-20 HEX	1	
54	44079	GEAR, DRIVE PINION 17T GEAR, DRIVE PINION 17T	1	
57	43177	WASHER .250 LOCK	1	
58	44269	PIN .188 X .5 SPRING	2	
59	44125	WASHER .63 X 1.0 X .03 FLAT	1	
71	44378	SEAL .625 X .875 X .09 LIP	1	
72	50416	GREASE TUBE CHEMPLUS 1-LP	2	
73	BDU10S-116	TRANSMISSION TRANSMISSION	1	
74	2003081	ASSEMBLY RESERVOIR	1	
75	44820	SCREW 5/16-18 X 4.5 HHC W/PATCH	4	
76	43083	NUT 5/16-18 HEX	2	
80	50928	SEALANT TUBESEALANT TUBE 10.1 OZ	1	