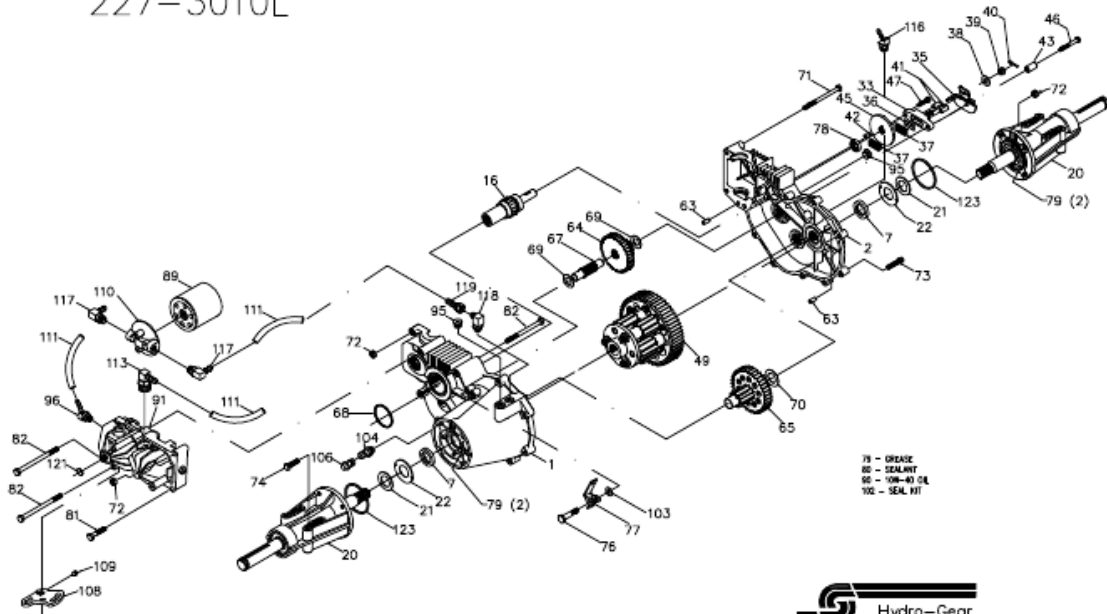


# Parts Breakdown

227-3010L



NOTICE / Proprietary Information: This service schematic and its contents are wholly owned by Hydro-Gear of Stillman, IL, and may not be published or reproduced without the written consent of Hydro-Gear.

## Parts Breakdown

#	PART #	DESCRIPTION	QTY	Note
1	70365	ASSY, HSG LH	1	
		LH HOUSING	1	
		DISC, THRUST 1-1/8 OD	1	
		BEARING, NEEDLE SCE1412	1	
		BEARING, BALL 25MM X 52MM	1	
		BEARING, NEEDLE - SCH 1012	1	
		SEAL, OIL .984 X 1.5 X .25	1	
2	70366	KIT, HOUSING RH	1	
		HOUSING, RH TRANSAXLE	1	
		BOLT, RIB NECK 5/16-18	1	
		WASHER, RUBBER 5/8 OD X .313 ID X .04	1	
		BEARING, NEEDLE SCE1412	1	
		BEARING, BALL 25MM X 52MM	1	
		BEARING, NEEDLE - SCH 1012	1	
		SEAL, OIL .984 X 1.5 X .25	1	
7	44782	SEAL .984 X 1.5 X .25 LIP	2	
16	62877	KIT, BRAKE SHAFT	1	
		SHAFT, BRAKE	1	
		BEARING, BALL .62 X 1.38 X .43	2	
		GEAR, 17T	1	
		COUPLING	1	
20	70087	KIT, AXLE MOUNTING HORN	2	
		AXLE MOUNTING HORN	1	
		BEARING, 25MM ID	1	
		WASHER, 1.0 X 1.6.3 X .08 HT	1	
		WASHER, 1.0 X 2.06 X .09 HT	1	
		SHAFT, AXLE	1	
		RING. RETAINING	1	
21	44805	WASHER 1.0 X 1.63 X .082	2	
22	44806	WASHER 1.0 X 2.06 X .09	2	
33	62589	KIT, BRAKE YOKE	1	
		YOKE, BRAKE	1	
		BOLT, SQ HD 5/16-24	1	
35	50214	ARM, BRAKE	1	
36	44134	PLATE, PUCK	1	
37	44132	PUCK, BRAKE	2	
38	44130	WASHER .34 X .88 X .06WASHER .34 X .88 X .	1	
39	44142	CASTLE NUT, 5/16-24	1	
40	44101	PIN 3/32 X 3/4 COTTER	1	
41	44127	PIN BRAKE ACTUATING	2	
42	44143	KEY 3/16 X 5/8 HI PRO	1	
43	50259	SPACER .26X.57X.62 (BLACK)SPACER .26X.57X.62	1	
45	44090	DISC, BRAKE .625X2.7X.19	1	
46	44276	SCREW 1/4-20 X 1.5 HHC W/PATCH	1	
47	44433	BOLT 1/4-20 X 1 (PATCH)	1	
49	70251	KIT, DIFF	1	

## Parts Breakdown

## Parts Breakdown

#	PART #	DESCRIPTION	QTY	Note
		GEAR, 12T DIFFERENTIAL	2	
		GEAR, 10T PLANET DIFFERENTIAL	6	
		SPACER, DIFFERENTIAL	6	
		SPACER, SHAFT	3	
		DIFFERENTIAL END CAP	1	
		BOLT, 3/8-24 X 4.5 GD8	3	
		NUT, HEX LOCK 3/8-24 GOB	3	
		SHAFT, DIFFERENTIAL	3	
		GEAR, 60T DIFFERENTIAL	1	
63	44757	PIN .25 X .625	2	
64	44776	GEAR, RED 14/38T SPLINE ID	1	
65	70051	KIT, FINAL DRIVE PINNION	1	
		GEAR 38T	1	
		GEAR 12T	1	
67	44779	SHAFT (JACK)SHAFT	1	
68	44781	O-RING -023 .103 X 1.862 70A	1	
69	44795	WASHER .63 X 1.2 X .05 FLAT	2	
70	44794	WASHER .88 X 1.63 X .07 FLAT	1	
71	44827	SCREW 5/16-18 X 3.5 HHC W/PATCH	2	
72	43083	NUT 5/16-18 HEX	4	
73	50868	SCREW 5/16-18 X 1.5 TH	11	
74	45089	SCREW 5/16-18 X 1 HHC W/PATCH	7	
76	44785	SCREW 5/16-18 X 1 SHOULDER	1	
77	44786	ARM, BYPASS	1	
78	44761	SEAL, OIL .625 X 1.0 X .25	1	
79	50416	GREASE TUBE CHEMPLUS 1-LP	1	
81	43084	SCREW 5/16-18 X 1-3/4 HHC PATCH	1	
82	44820	SCREW 5/16-18 X 4.5 HHC W/PATCH	3	
89	51563	FILTER, SPIN-ON	1	
90		10W-40 OIL	66.7 oz	
91	BDU-10L-118	BDU-10L-118 BDU-10L-118	1	
95	9005110-5600	PLUG 9/16-18 METAL	2	
96	50257	FITTING 60 7/16-20 SAE .312 BARB METAL	1	
103	50169	WASHER .31 X .74 X .06	1	
104	70109	KIT, CAP-VENT	1	
		VENT	1	
		CAP	1	
106	70110	FITTING O-RING ASSEMBLYKIT, O-RING FITTING	1	
		O-RING	1	
		FITTING	1	
108	45007	ARM, CNTRL PM	1	
109	50018	SCREW 5/16-24 x .50 SET	1	
110	50207	FILTER HEAD (ALUM)FILTER HEAD	1	
111	50208	HOSE .3125 X 12" LONGHOSE .3125 X 12" LONG	3	
113	50210	FITTING 90 7/8-14 SAE .312 BARB (METAL)FITTING 90 7/8-14 SAE .312 BARB	1	

## Parts Breakdown

## Parts Breakdown

#	PART #	DESCRIPTION	QTY	Note
116	50213	FITTING 45 9/16-18 SAE .312 BARB (METAL)	1	
117	50249	FITTING 90 9/16-18 SAE .312 BARB (METAL)	2	
118	50251	FITTING 90 9/16-18 SAE #6-37 FLARE MALE	1	
119	50250	FITTING ST #6-37 FLARE FEMALE 0.312 BARB	1	
121	2003016	RING RET 59 EXT WIRE	1	
123	50405	O-RING -144 .103 x 2.487 90A	2	