



Count on it.

Parts Catalog

22in Recycler®

Lawn Mower

Model No. 21442—Serial No. 411994988 and Up



Ordering Replacement Parts

To order replacement parts, please supply the part number, the quantity, and the description of each part desired.

Understanding Reference Numbers

Each identified part in an illustration has a reference number. The reference number for a part also appears in the parts list, along with other information about the part.

This catalog uses two special reference number formats, one to indicate parts in a service assembly and another to indicate the quantity of a given part in an illustration.

Service Assembly Reference Numbers

Parts in service assemblies have reference numbers in the form a:b. The a represents the reference number of the entire service assembly and the b represents a sequential number unique to each part within the service assembly.

For example, a wheel assembly might be identified by reference number 6, the tire by 6:1, the valve by 6:2, and the wheel by 6:3. When you order the assembly identified by reference number 6, you receive all parts identified by reference numbers 6:1, 6:2, and 6:3. However, you may also order any part individually. Reference numbers of this type appear in illustration and in parts lists.

Reference Numbers Indicating Quantity

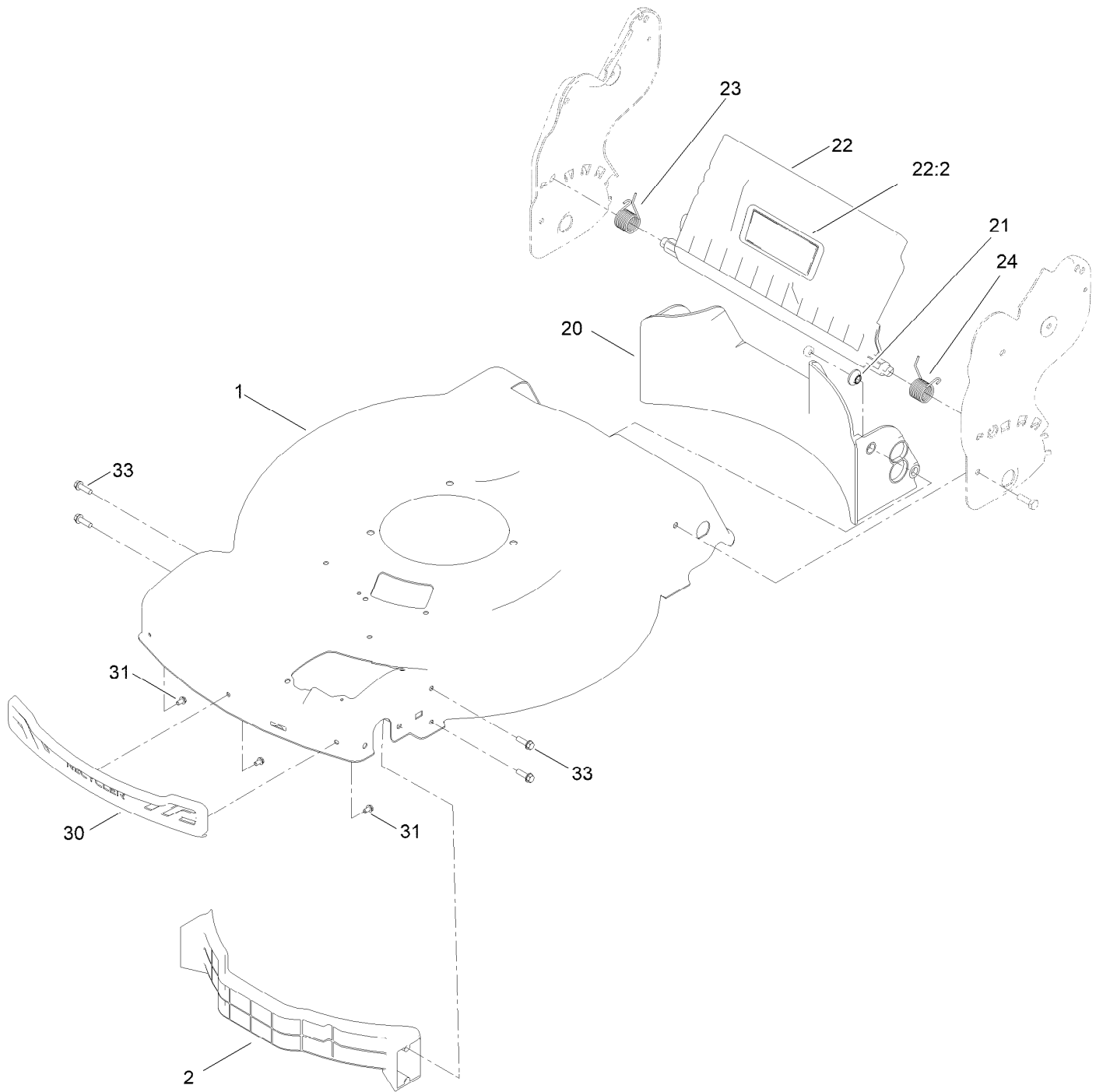
In an illustration, if a reference number indicates more than one part, the reference number has the form nX y. The n represents the quantity of the part, the X is the multiplication symbol, and the y represents the reference number.

For example, in an illustration, the reference number 2X 37 means that two of the parts identified by reference number 37 are indicated.

Contents

Housing Assembly	4
Rear Bag Assembly	6
Decal Assembly	8
Engine and Blade Assembly	10
Front Wheel and Height-of-Cut Assembly	12
Rear Wheel and Height-of-Cut Assembly	14
Handle Assembly	16
Attachments and Accessories	18

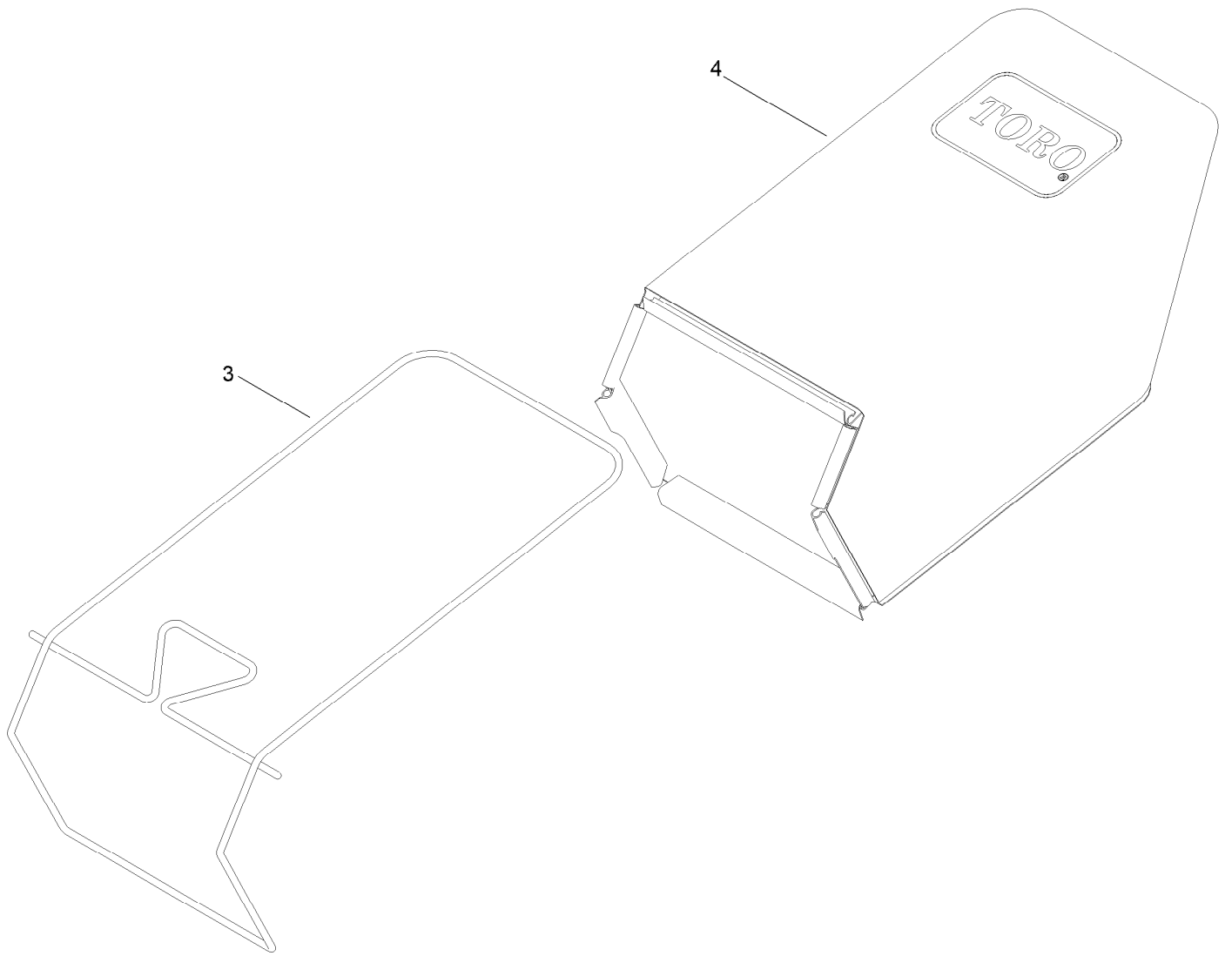
Housing Assembly



Housing Assembly (continued)

<i>Ref.</i>	<i>Part Number</i>	<i>Qty.</i>	<i>Description</i>	<i>Ref.</i>	<i>Part Number</i>	<i>Qty.</i>	<i>Description</i>
1	144-3191	1	Housing ASM	23	140-4197	1	Spring-Torsion
2	144-6427	1	Baffle-Front, Domestic	24	140-4198	1	Spring-Torsion
20	140-3906	1	Baffle-Rear, Fwd	30	139-5457	1	Bumper-Front
21	117-5991	2	Washer-Stepped, Baffle	31	139-5467	3	Screw-Plastic, HWH
22	136-7003	1	Rear Deflector ASM	33	46-8091	4	Screw-HWH
22:2	131-4514	1	Decal-Warning				

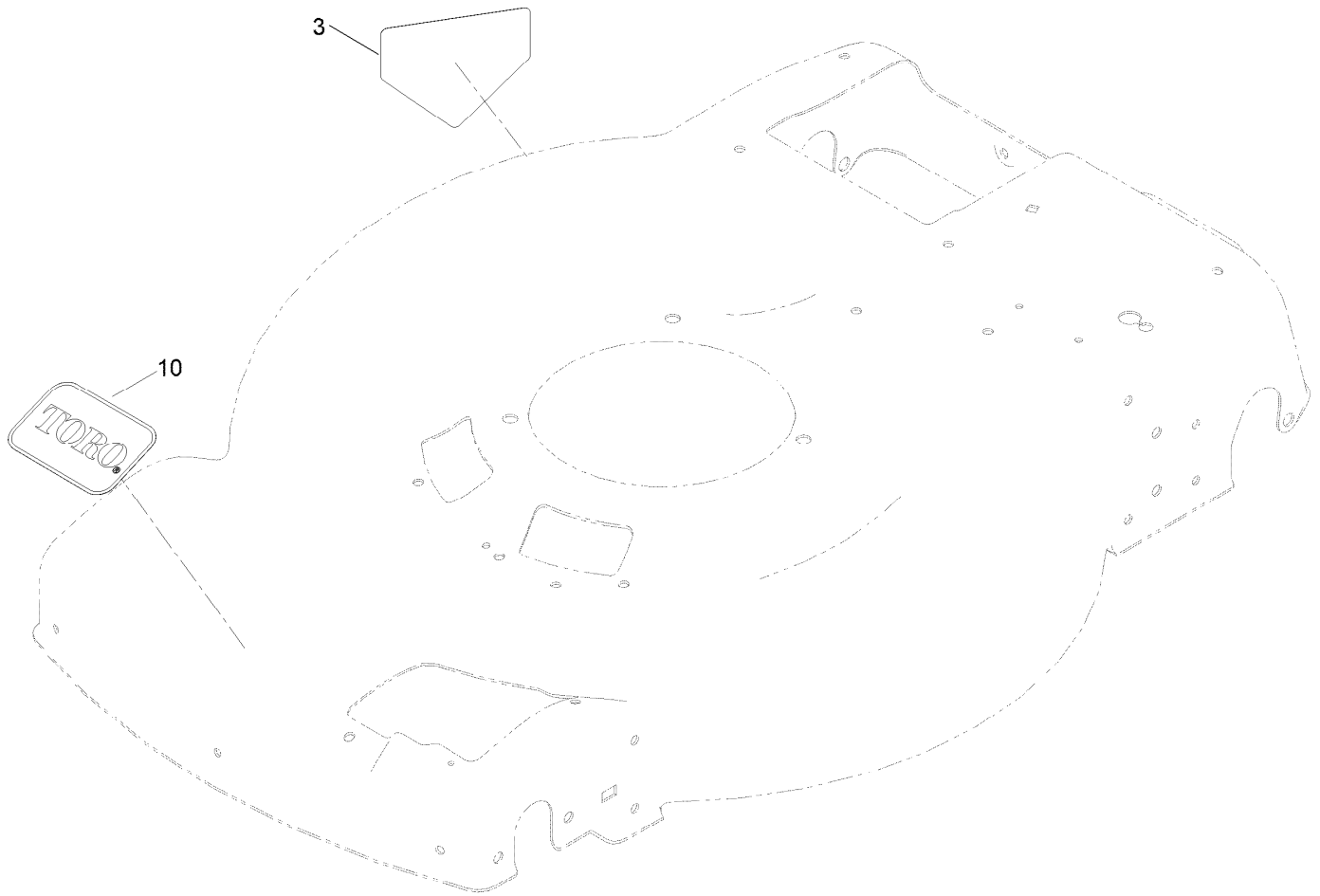
Rear Bag Assembly



Rear Bag Assembly (continued)

<i>Ref.</i>	<i>Part Number</i>	<i>Qty.</i>	<i>Description</i>
3	140-3931-03	1	Bag Frame ASM (Welded)
4	140-3933	1	Grass Bag ASM

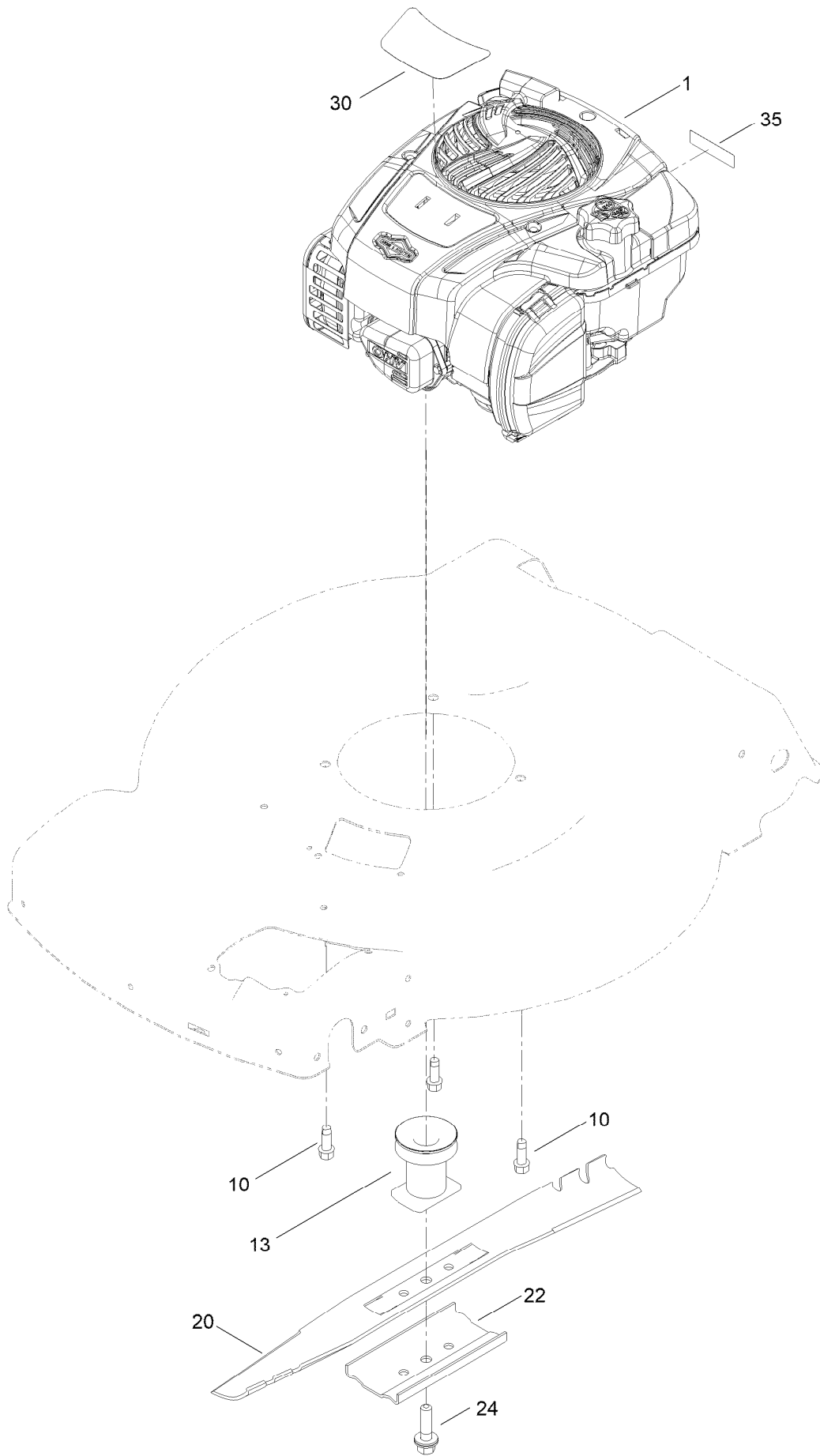
Decal Assembly



Decal Assembly (continued)

<i>Ref.</i>	<i>Part Number</i>	<i>Qty.</i>	<i>Description</i>
3	94-8072	1	Decal-Danger
10	140-4183	1	Decal

Engine and Blade Assembly



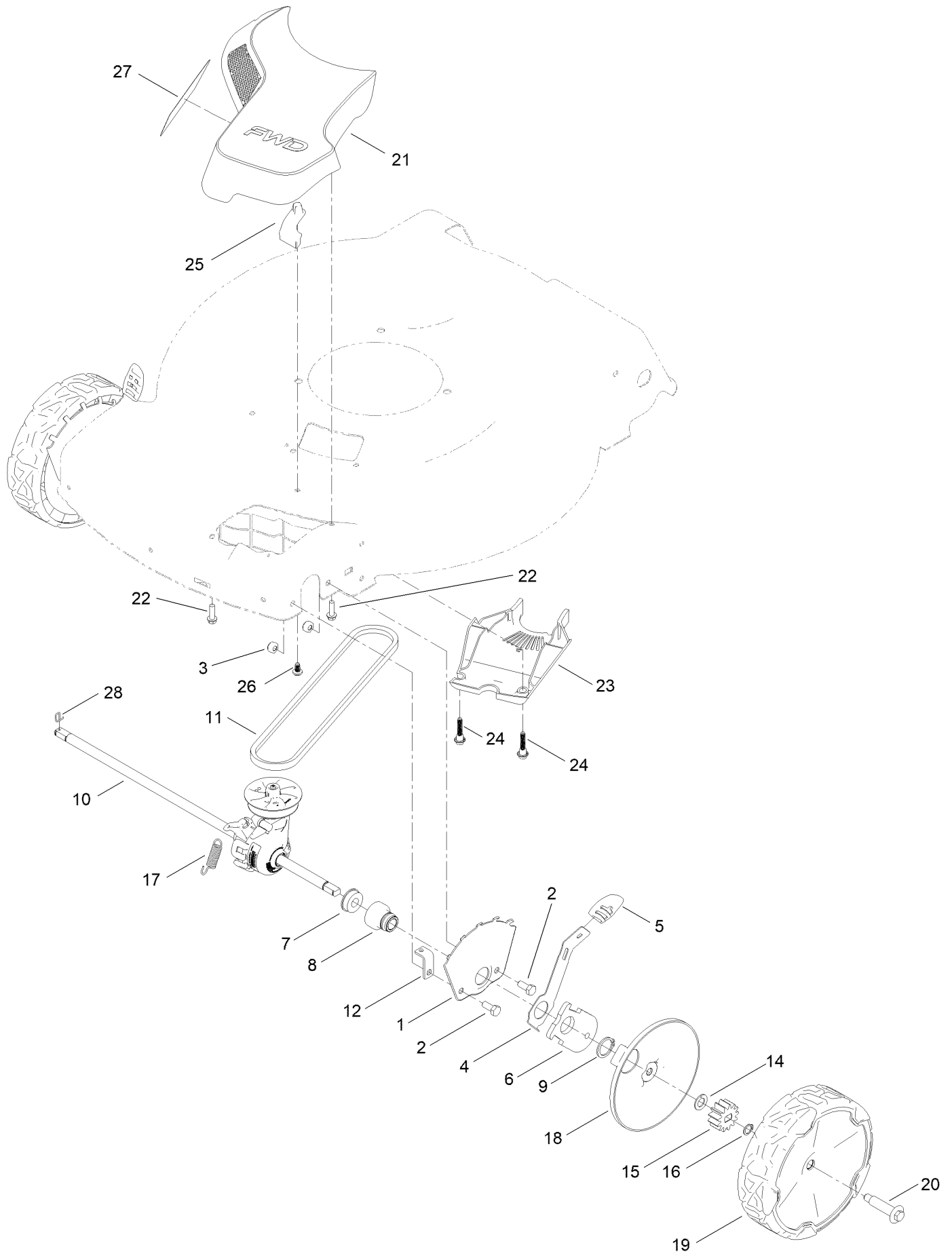
Engine and Blade Assembly (continued)

<i>Ref.</i>	<i>Part Number</i>	<i>Qty.</i>	<i>Description</i>	<i>Ref.</i>	<i>Part Number</i>	<i>Qty.</i>	<i>Description</i>
1		1	Engine-Briggs, 625 Exi Zs ●■	22	108-3766-03	1	Support-Blade
10	95-1726	3	Screw-Taptite	24	125-2466	1	Bolt-Blade
13	140-3975	1	Driver-Blade	30	144-6439	1	Decal-Briggs 625 Ex
20	131-4547-03	1	Blade-22 Inch	35	133-8062	1	Decal-Arrestor, Spark

● Not serviced separately

■ Obtain parts from www.briggsandstratton.com

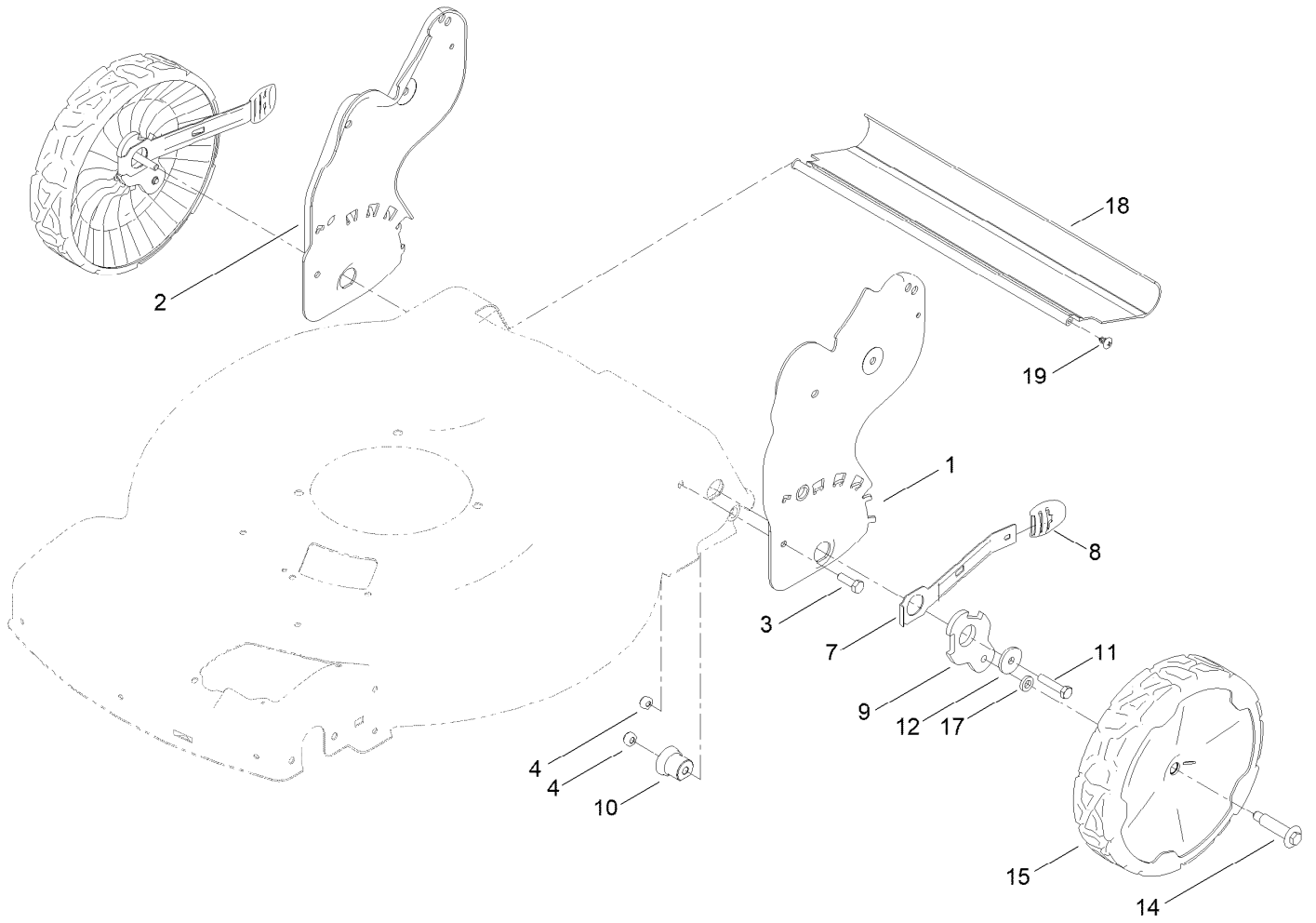
Front Wheel and Height-of-Cut Assembly



Front Wheel and Height-of-Cut Assembly (continued)

<i>Ref.</i>	<i>Part Number</i>	<i>Qty.</i>	<i>Description</i>	<i>Ref.</i>	<i>Part Number</i>	<i>Qty.</i>	<i>Description</i>
1	115-1956-05	2	Plate-HOC,Front Fsvq	17	145-3863	1	Spring-Extension
2	322-3	4	Screw-HH	18	140-2364	2	ASM-Cover, Wheel (Dk Gray)
3	3296-29	4	Nut-Lock, NI	19	140-2358	2	ASM-8" Wheel, Fwd (Bushings)
4	105-1809	2	Arm-Spring	20	145-3899	2	Wheel Bolt
5	105-3042	2	Knob-Lever, HOC	21	144-0215	1	ASM-Intake, Fwd
6	137-9128	2	Arm-Pivot, Front	22	46-8091	3	Screw-HWH
7	104-8699	2	Bearing-Ball	23	140-2389	1	Cover-Belt, Lower (Awd)
8	131-0836	2	Retainer-Bearing, HOC	24	131-0837	2	Screw-Shoulder, HHF
9	32151-36	2	Ring-Retaining	25	144-6371	1	Pad-Stop
10	139-6562	1	Transmission-Fwd	26	139-1679	1	Screw-Plastic,PH
11	117-1018	1	V-Belt	27	140-4186	1	Decal
12	144-6392	1	Tab-Mount, Cable	28	130-2369	1	Pin-Snap
14	110-7191	2	Washer-Thrust				
15	131-0896	2	Gear-Pinion, 13T				
16	32151-61	1	Ring-Retaining				

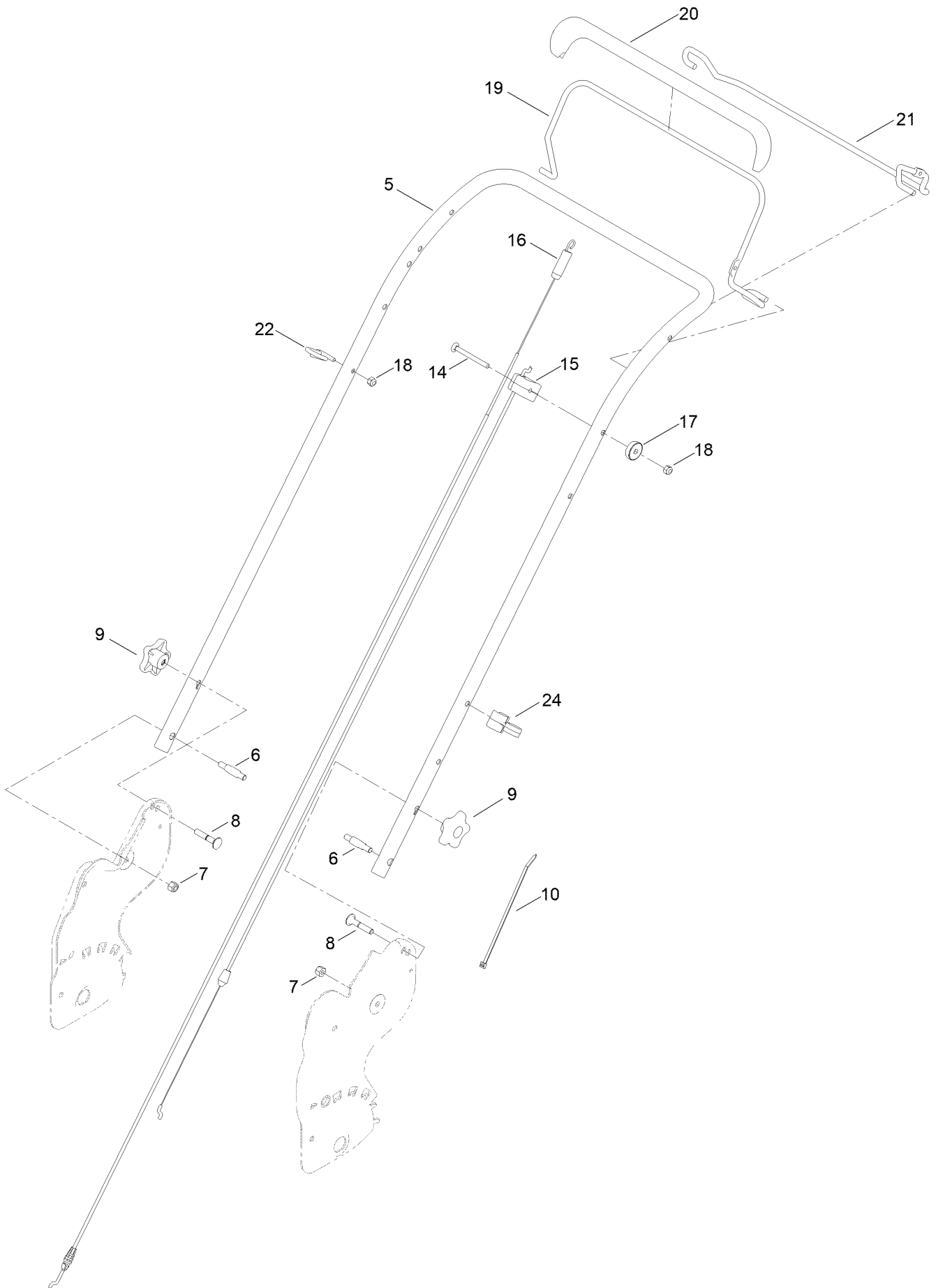
Rear Wheel and Height-of-Cut Assembly



Rear Wheel and Height-of-Cut Assembly (continued)

<i>Ref.</i>	<i>Part Number</i>	<i>Qty.</i>	<i>Description</i>	<i>Ref.</i>	<i>Part Number</i>	<i>Qty.</i>	<i>Description</i>
1	140-3912-05	1	Plate-HOC, Fwd LH	11	322-7	2	Screw-HH
2	140-3913-05	1	Plate-HOC, Fwd RH	12	105-3048	2	Washer-Flat
3	322-5	2	Screw-HH	14	145-3899	2	Wheel Bolt
4	3296-29	4	Nut-Lock, NI	15	140-2351	2	ASM-9.65" Wheel, Bushings
7	115-2899	2	Arm-Spring, Rear	17	139-5449	2	Washer-Wheel Bolt
8	105-3042	2	Knob-Lever, HOC	18	144-6431	1	Shield-Trailing
9	140-3878	2	Arm-Pivot, Rear	19	117-1092	2	Screw-PTH
10	131-0895	2	Bushing-Mount, HOC				

Handle Assembly



Handle Assembly (continued)

<i>Ref.</i>	<i>Part Number</i>	<i>Qty.</i>	<i>Description</i>	<i>Ref.</i>	<i>Part Number</i>	<i>Qty.</i>	<i>Description</i>
5	144-6516-05	1	Handle-Curved	16	140-3947	1	Cable-Traction, Fwd
6	139-6599	2	Bolt-Shoulder, Handle	17	136-9075	1	Washer-Curved
7	3296-29	2	Nut-Lock, NI	18	3296-73	2	Nut-Lock, NI
8	131-9663	2	Screw-CARR	19	140-3918-03	1	Bail-Brake
9	117-5976	2	Knob-Handle	20	140-3879	1	Cover-Bail
10	614249	1	Tie-Cable	21	140-4024-03	1	Bail-Traction
14	144-0221	1	Screw-CARR	22	86-9671	1	Guide-Rope
15	140-3948	1	Cable-Brake, Fwd	24	114-7988	1	Guide-Cable

Attachments and Accessories

For 21442 22in Recycler Lawn Mower

Product Name	Model/Part
SD Chute ASM	145-1538
22 Inch Atomic Blade	59534P
Briggs Maint Kit.....	130-8148
Lawnmower Cover	490-7462
Lawn Striping Kit with 22in Roller.....	20601
Bag-Walk Behind (Toro).....	490-7318
Summer Oil-Case of 24 (20oz Bottles).....	38916
Fuel Stabilizer .05 oz	130-2393
Toro Premium Fuel Treatment 12 Oz Bottle	131-6572
4-Cycle Fuel, Snow And Lawn 32oz Can	131-3823
Oil-30/10W-30 Synthetic (Quart).....	138-6053
Toro 4-Cycle SAE 30 Oil (32oz Bottle)	38903

Notes:



Count on it.