



Count on it.

Parts Catalog

**21in Recycler[®]/Rear Bagging
Lawn Mower**

Model No. 21321—Serial No. 40000000 and Up



Ordering Replacement Parts

To order replacement parts, please supply the part number, the quantity, and the description of each part desired.

Understanding Reference Numbers

Each identified part in an illustration has a reference number. The reference number for a part also appears in the parts list, along with other information about the part.

This catalog uses two special reference number formats, one to indicate parts in a service assembly and another to indicate the quantity of a given part in an illustration.

Service Assembly Reference Numbers

Parts in service assemblies have reference numbers in the form a:b. The a represents the reference number of the entire service assembly and the b represents a sequential number unique to each part within the service assembly.

For example, a wheel assembly might be identified by reference number 6, the tire by 6:1, the valve by 6:2, and the wheel by 6:3. When you order the assembly identified by reference number 6, you receive all parts identified by reference numbers 6:1, 6:2, and 6:3. However, you may also order any part individually. Reference numbers of this type appear in illustration and in parts lists.

Reference Numbers Indicating Quantity

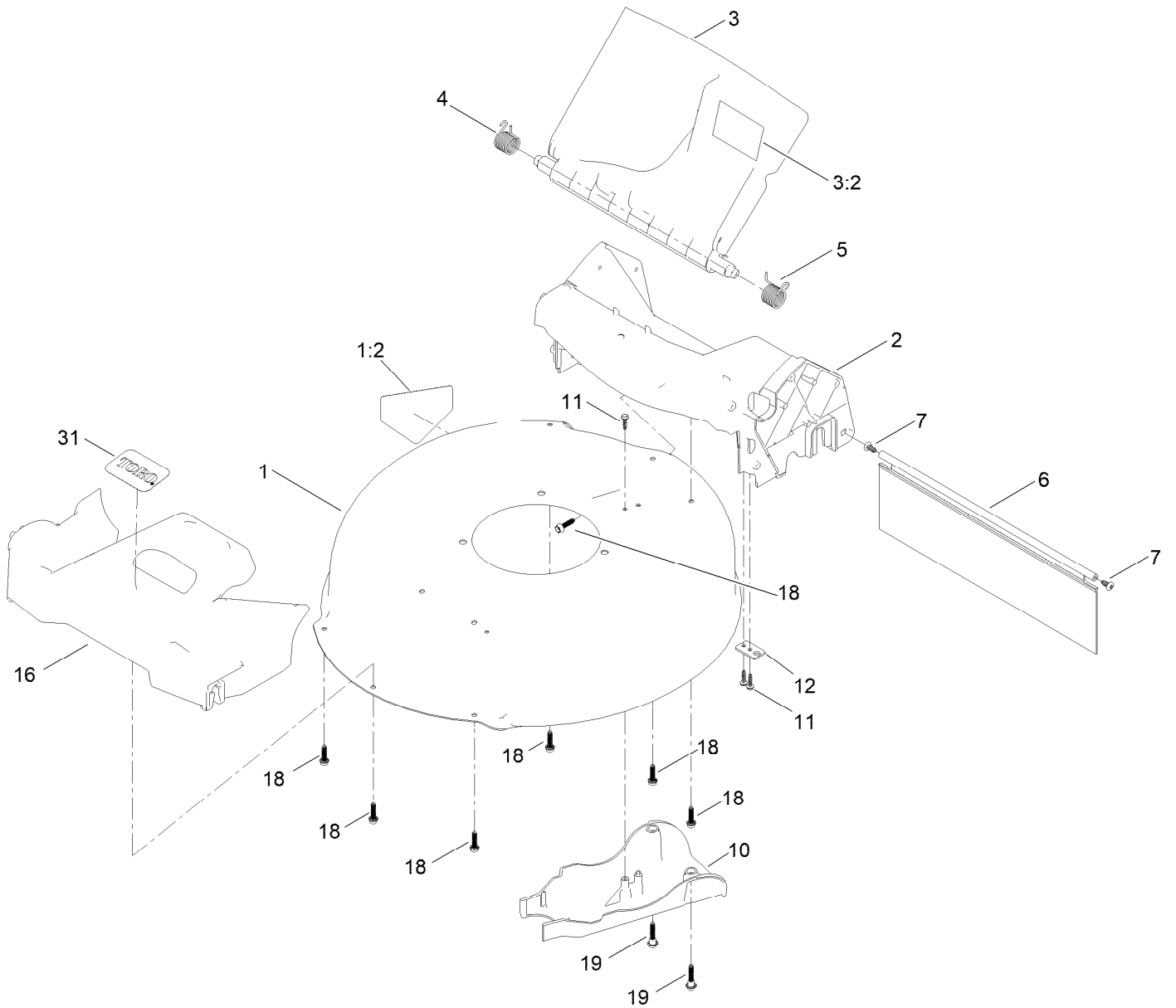
In an illustration, if a reference number indicates more than one part, the reference number has the form nX y. The n represents the quantity of the part, the X is the multiplication symbol, and the y represents the reference number.

For example, in an illustration, the reference number 2X 37 means that two of the parts identified by reference number 37 are indicated.

Contents

Housing Assembly	4
Grass Bag and Frame Assembly	6
Engine and Blade Assembly	8
Front Wheel and Height-of-Cut Assembly	10
Rear Wheel and Height-of-Cut Assembly	12
Handle Assembly	14
Attachments and Accessories	16

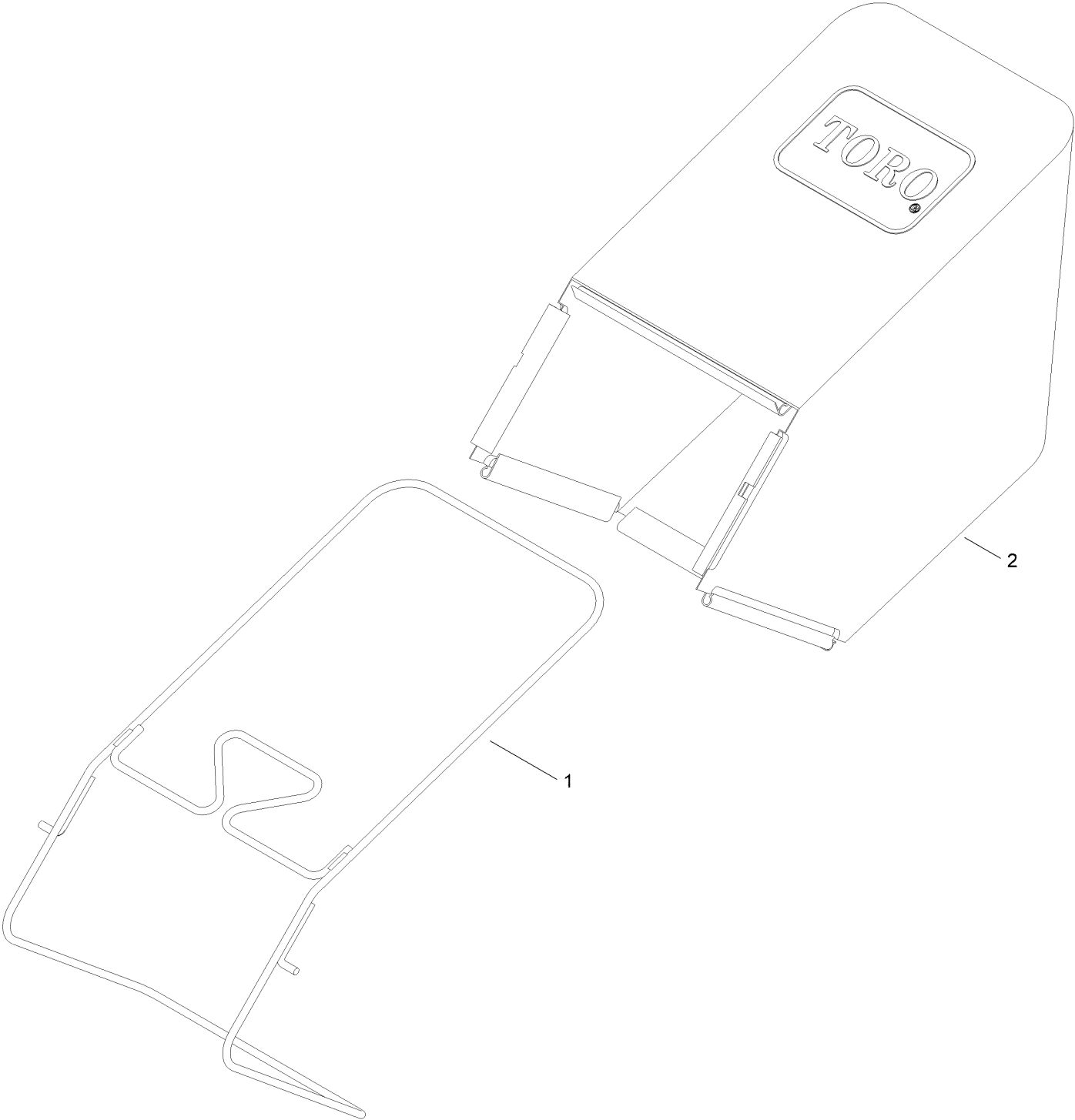
Housing Assembly



Housing Assembly (continued)

<i>Ref.</i>	<i>Part Number</i>	<i>Qty.</i>	<i>Description</i>	<i>Ref.</i>	<i>Part Number</i>	<i>Qty.</i>	<i>Description</i>
1	147-8621	1	Housing ASM	7	117-1092	2	Screw-PTH
1:2	94-8072	1	Decal-Danger	10	127-0723	1	Cover-Belt
2	145-5506	1	Chute-Sp/Awd, 21 In	11	127-6831	3	Screw-HWH
3	145-5511	1	Deflector-Rear ASM	12	127-0730	1	Bracket-Cable
3:2	117-4143	1	Decal-Warning	16	145-5518	1	Bumper
4	147-0465	1	Spring-Torsion	18	130-6658	7	Screw-Flange, Plastic
5	147-0466	1	Spring-Torsion	19	131-0837	2	Screw-Shoulder, HHF
6	147-0443	1	Shield-Trailing	31	145-0854	1	Decal-Toro, Silver

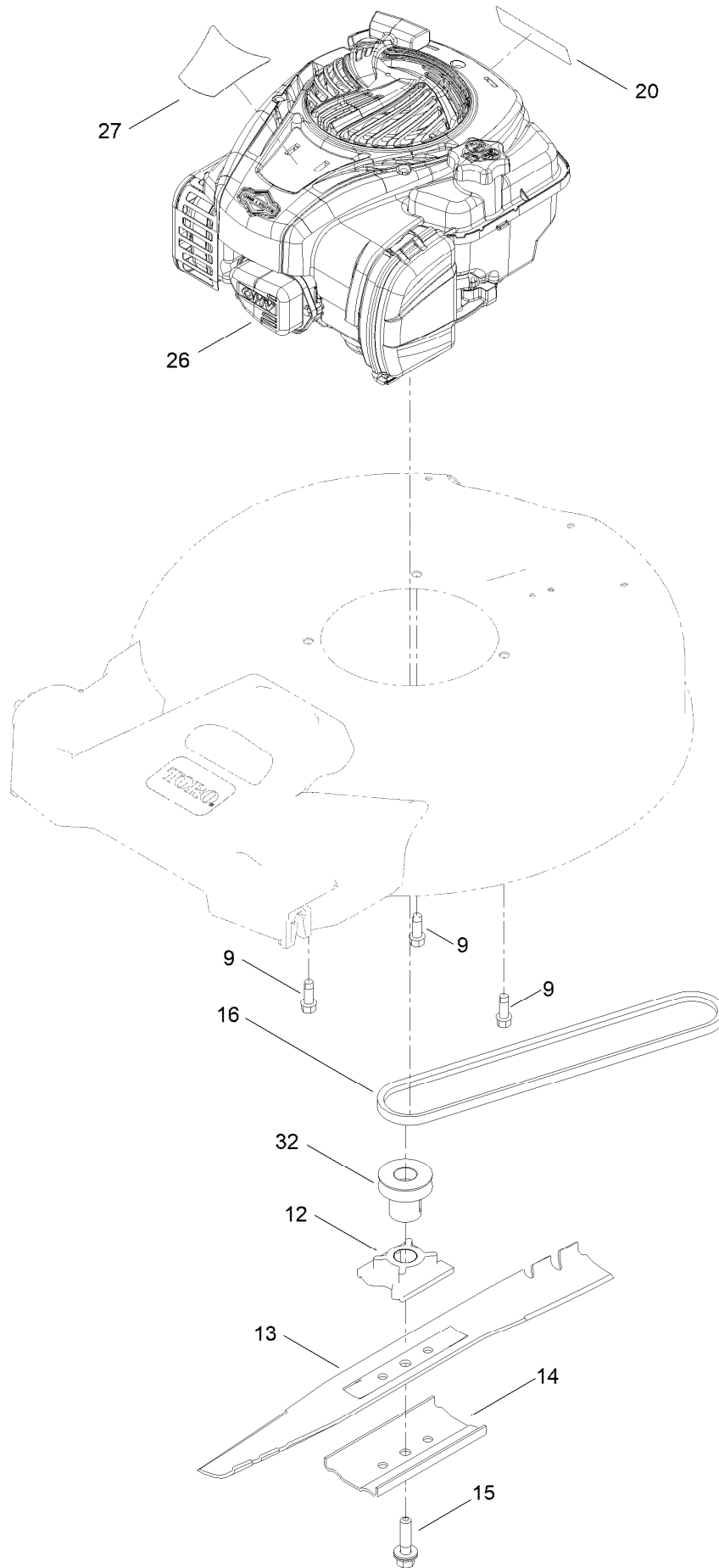
Grass Bag and Frame Assembly



Grass Bag and Frame Assembly (continued)

<i>Ref.</i>	<i>Part Number</i>	<i>Qty.</i>	<i>Description</i>
1	145-5512-03	1	Frame-Bag
2	147-0418	1	Bag ASM

Engine and Blade Assembly



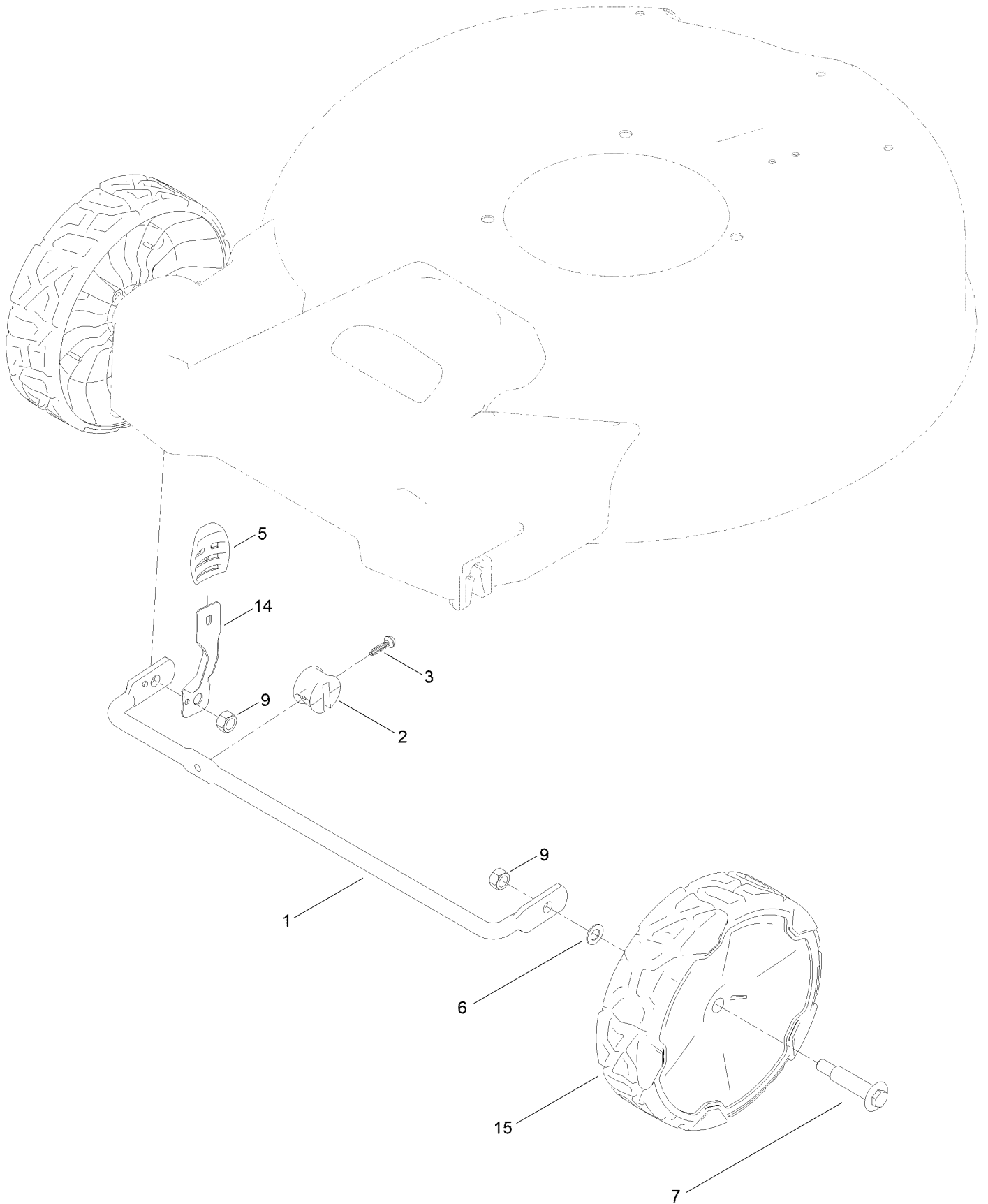
Engine and Blade Assembly (continued)

<i>Ref.</i>	<i>Part Number</i>	<i>Qty.</i>	<i>Description</i>	<i>Ref.</i>	<i>Part Number</i>	<i>Qty.</i>	<i>Description</i>
9	95-1726	3	Screw-Taptite	16	115-4669	1	Belt-V
12	125-2454	1	Retainer-Blade	20	133-8062	1	Decal-Arrestor, Spark
13	133-8182-03	1	Blade-21In	26		1	Engine-Briggs, 550 Ex ●■
14	108-3766-03	1	Support-Blade	27	140-4246	1	Decal-Engine
15	117-5270	1	Bolt-Blade	32	144-3130	1	Pulley

● Not serviced separately

■ Obtain parts from www.briggsandstratton.com

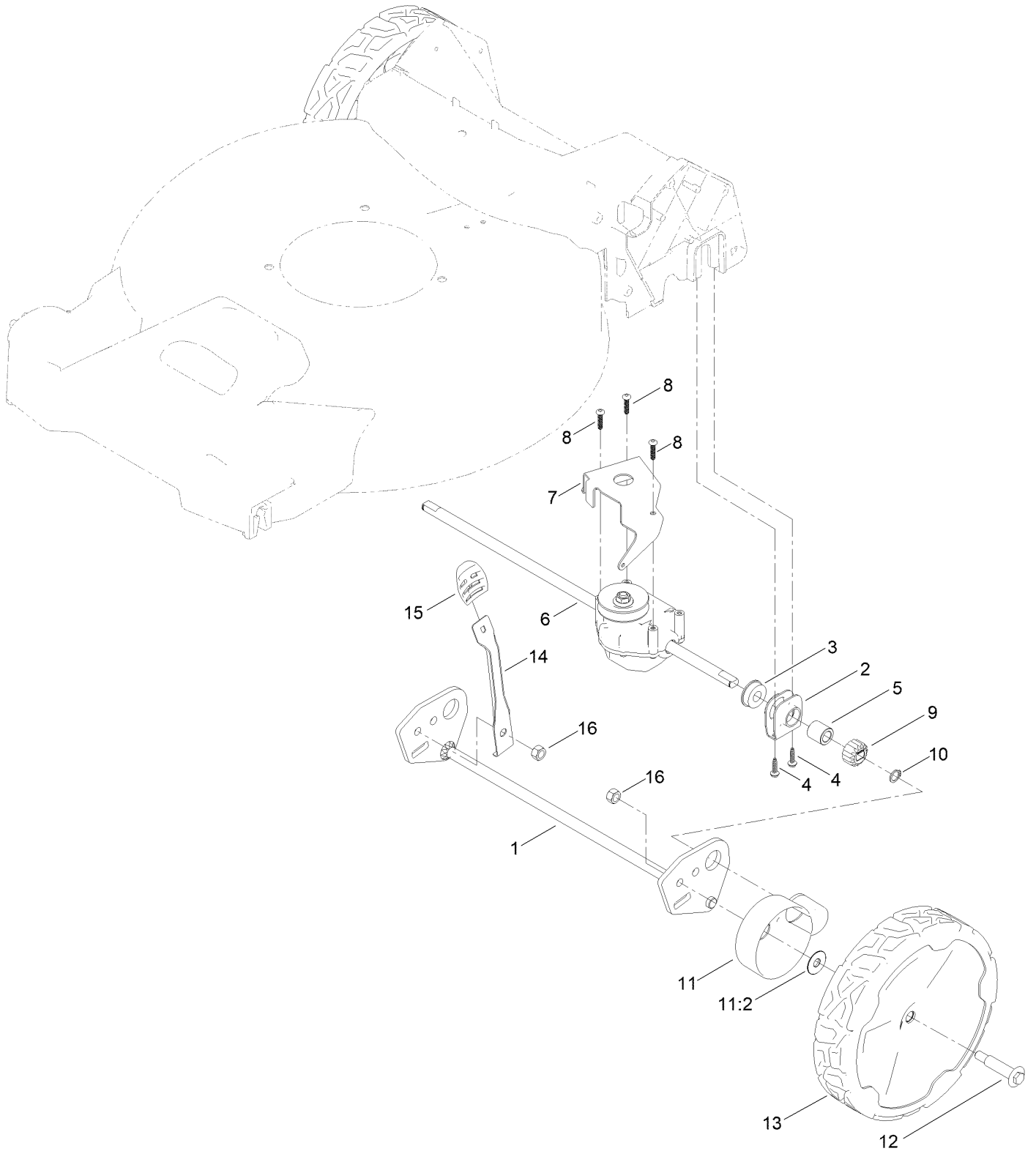
Front Wheel and Height-of-Cut Assembly



Front Wheel and Height-of-Cut Assembly (continued)

<i>Ref.</i>	<i>Part Number</i>	<i>Qty.</i>	<i>Description</i>	<i>Ref.</i>	<i>Part Number</i>	<i>Qty.</i>	<i>Description</i>
1	127-0668-03	1	Axle-Front	7	92-1057	2	Bolt-Shoulder
2	127-6800	1	Stop-Axle	9	603773	2	Nut-Hex Lock
3	127-6831	1	Screw-HWH	14	147-0435	1	Arm-Spring
5	105-3042	1	Knob-Lever, HOC	15	140-2355	2	ASM-8" Wheel, Idler
6	40-1940	2	Washer				

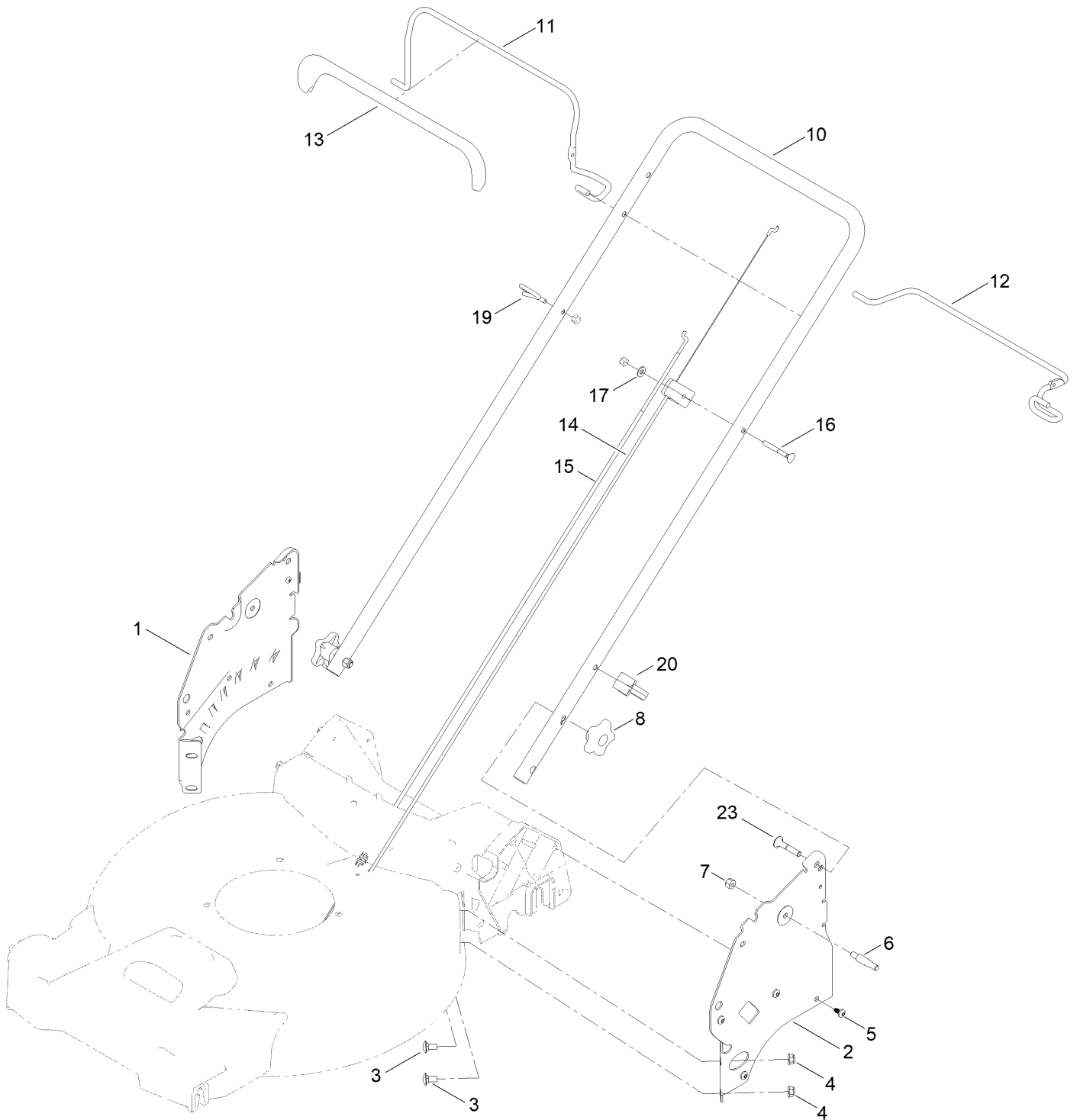
Rear Wheel and Height-of-Cut Assembly



Rear Wheel and Height-of-Cut Assembly (continued)

<i>Ref.</i>	<i>Part Number</i>	<i>Qty.</i>	<i>Description</i>	<i>Ref.</i>	<i>Part Number</i>	<i>Qty.</i>	<i>Description</i>
1	145-5501-03	1	Axle-Rear, Wa	10	32151-61	2	Ring-Retaining
2	138-3234	2	Retainer-Bearing	11	140-2362	2	ASM-Cover, Gear (Dk Gray)
3	104-8699	2	Bearing-Ball	11:2	614426	1	Washer-Stepped
4	127-6831	4	Screw-HWH	12	92-1057	2	Bolt-Shoulder
5	127-6896	2	Bushing-Sleeve	13	140-2350	2	ASM-9.65" Wheel, Geared
6	145-5515	1	Transmission (7:1 Ratio)	14	147-0437	1	Arm-Spring
7	145-5513-03	1	Bracket-Transmission	15	105-3042	1	Knob-Lever, HOC
8	108-7476	3	Screw-Plastite	16	603773	2	Nut-Hex Lock
9	131-5399	2	Gear-Pinion, 15T				

Handle Assembly



Handle Assembly (continued)

<i>Ref.</i>	<i>Part Number</i>	<i>Qty.</i>	<i>Description</i>	<i>Ref.</i>	<i>Part Number</i>	<i>Qty.</i>	<i>Description</i>
1	145-5528-05	1	Plate-HOC, RH	12	137-4799-03	1	Bail-Traction
2	145-5527-05	1	Plate-HOC, LH [blk-Txt]	13	137-4797	1	Cover-Bail
3	3230-18	4	Screw-CARR	14	112-8818	1	Cable-Brake
4	130-6655	4	Nut-Flange, NI	15	127-0733	1	Cable-Traction
5	139-1679	8	Screw-Plastic,PH	16	92-2270	1	Screw-Handle
6	139-6599	2	Bolt-Shoulder, Handle	17	3256-1	1	Washer-Flat
8	117-5976	2	Knob-Handle	19	86-9671	1	Guide-Rope
7	3296-29	2	Nut-Lock, NI	20	114-7988	1	Guide-Cable
10	145-5509-05	1	Handle-Upper	23	131-9663	2	Screw-CARR
11	138-3270-03	1	Bail-Brake				

Attachments and Accessories

For 21321 21in Recycler/Rear Bagging Lawn Mower

Product Name	Model/Part
SD Chute Kit	147-0520
21in Blade.....	89914P
Briggs 550 Maintenance Kit	130-8147
Lawnmower Cover	490-7462
Lawn Striping Kit with 22in Roller.....	20601
Bag-Walk Behind (Toro).....	490-7318
Fuel Stabilizer .05 oz	130-2393
Toro Premium Fuel Treatment 12 Oz Bottle	131-6572
4-Cycle Fuel, Snow And Lawn 32oz Can	131-3823
Oil-30/10W-30 Synthetic (Quart).....	138-6053
Summer Oil-Case of 24 (20oz Bottles).....	38916

Notes:

Notes:

Notes:



Count on it.