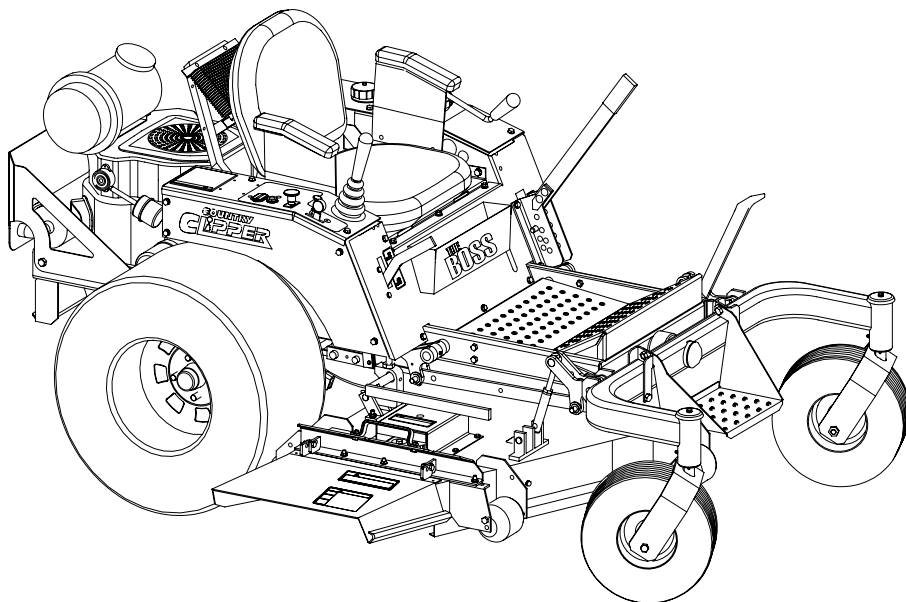


REPAIR PARTS MANUAL
FOR
COUNTRY
CLIPPER[®]

THE BOSS[™]



COUNTRY CLIPPER "THE BOSS" SR1205 (2008) ZERO TURN RADIUS MOWER

TABLE OF CONTENTS

PAGE.... CONTENTS

SECTION 1 – MOWER DECKS AND RELATED PARTS

- 1 52" DECK ASSEMBLY
- 2 60" DECK ASSEMBLY
- 3 72" DECK ASSEMBLY
- 4 DECK SPINDLE ASSEMBLY
- 5 SINGLE IDLER & RELATED PARTS
- 6 LIFT HANDLE ASSEMBLY & RELATED PARTS
- 7 QRS. SYSTEM PARTS

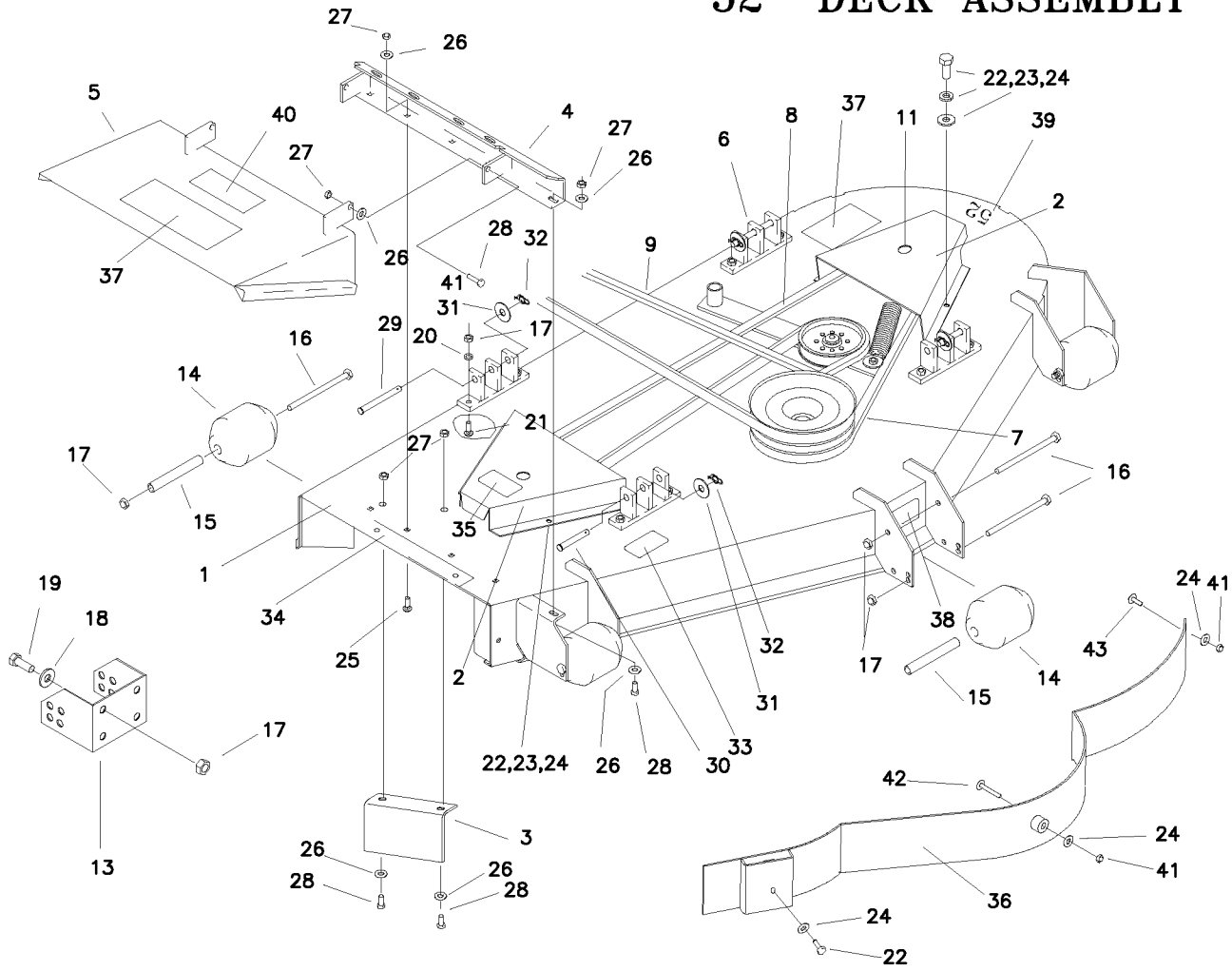
SECTION 2 –TRACTOR FRAME AND RELATED PARTS

- 8 LIFT ASSEMBLY & RELATED PARTS
- 9 LIFT ASSEMBLY AND RELATED PARTS (72" BOSS)
- 10 STEP & RELATED PARTS
- 11 DOUBLE IDLER & RELATED PARTS
- 12 ANTI-ROTATING CASTER WHEEL ASSEMBLY
- 13 CASTER WHEEL ASSEMBLY
- 14 FRAME SIDES & RELATED PARTS
- 15 FENDER ASSEMBLY
- 16 SEAT, FOOT DECK & RELATED PARTS

SECTION 3 –TRACTOR DRIVE AND RELATED PARTS

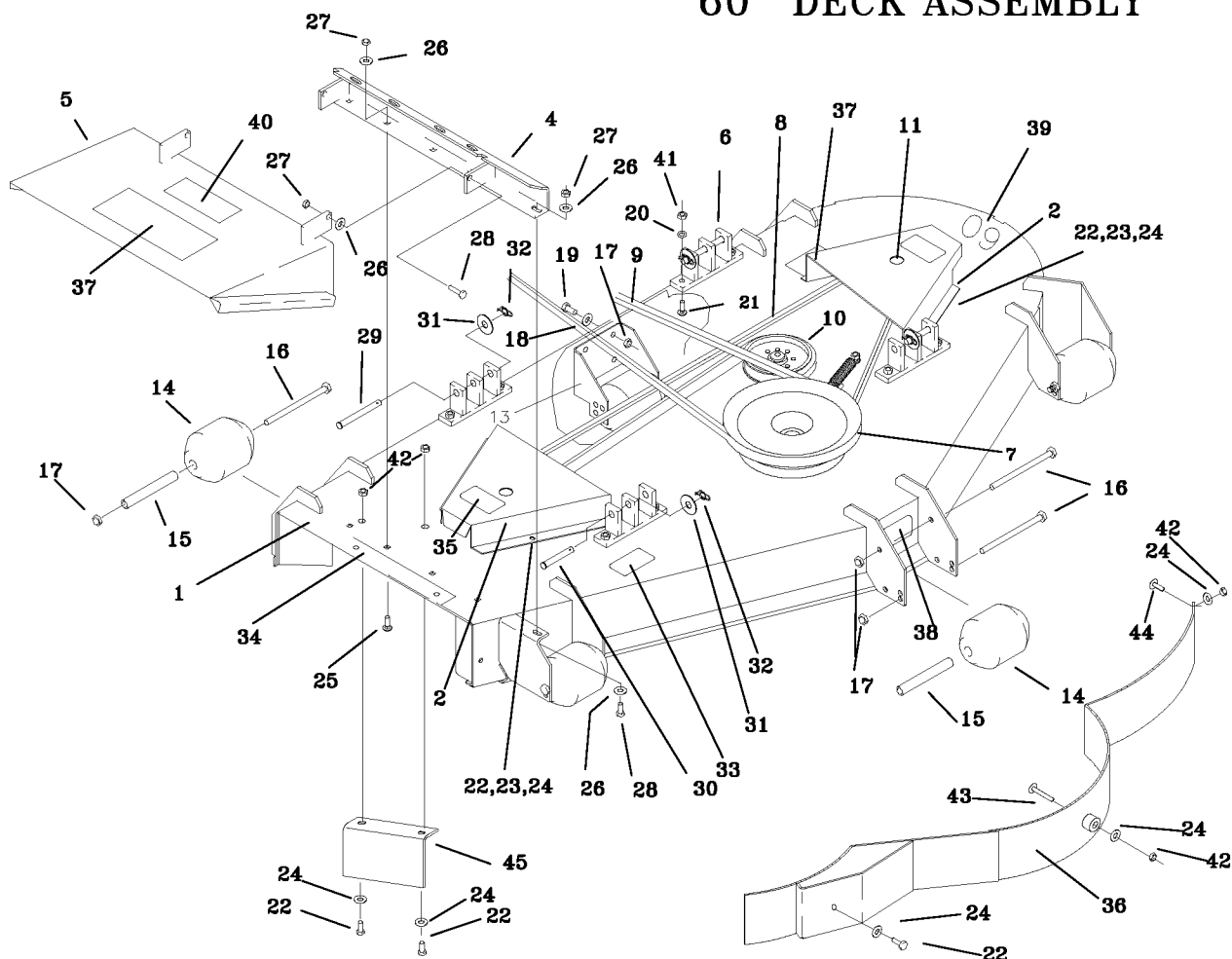
- 17 FUEL INJECTION LINE ASSEMBLY
- 18 FUEL TANK ASSEMBLY
- 19 JACK ASSEMBLY
- 20 JOYSTICK STEERING CONTROL & RELATED PARTS
- 21 JOYSTICK STEERING CONTROL & RELATED PARTS SR-1205
- 22 RIGHT HAND STEERING CONTROL & RELATED PARTS
- 23 LEFT HAND STEERING CONTROL & RELATED PARTS
- 24 PARKING BRAKE ASSEMBLY & RELATED PARTS
- 25 GEAR MOTOR WHEEL ASSEMBLY
- 26 HIGH PRESSURE LINES AND FITTINGS FOR 52" BOSS
- 27 HIGH PRESSURE LINES AND FITTINGS FOR 60" & 72" BOSS
- 28 HIGH PRESSURE LINES BRFORE SERIAL NO. XXXXXX
- 29 MOTOR ASSEMBLY & RELATED PARTS
- 30 ENGINE AND CLUTCH MOUNTING HARDWARE
- 31 MOTOR TO PUMP SINGLE IDLER
- 32 BATTERY BOX & RELATED PARTS
- 33 OIL RETURN LINES & COOLER ASSEMBLY
- 34 WIRE HARNESS & RELATED PARTS

52" DECK ASSEMBLY



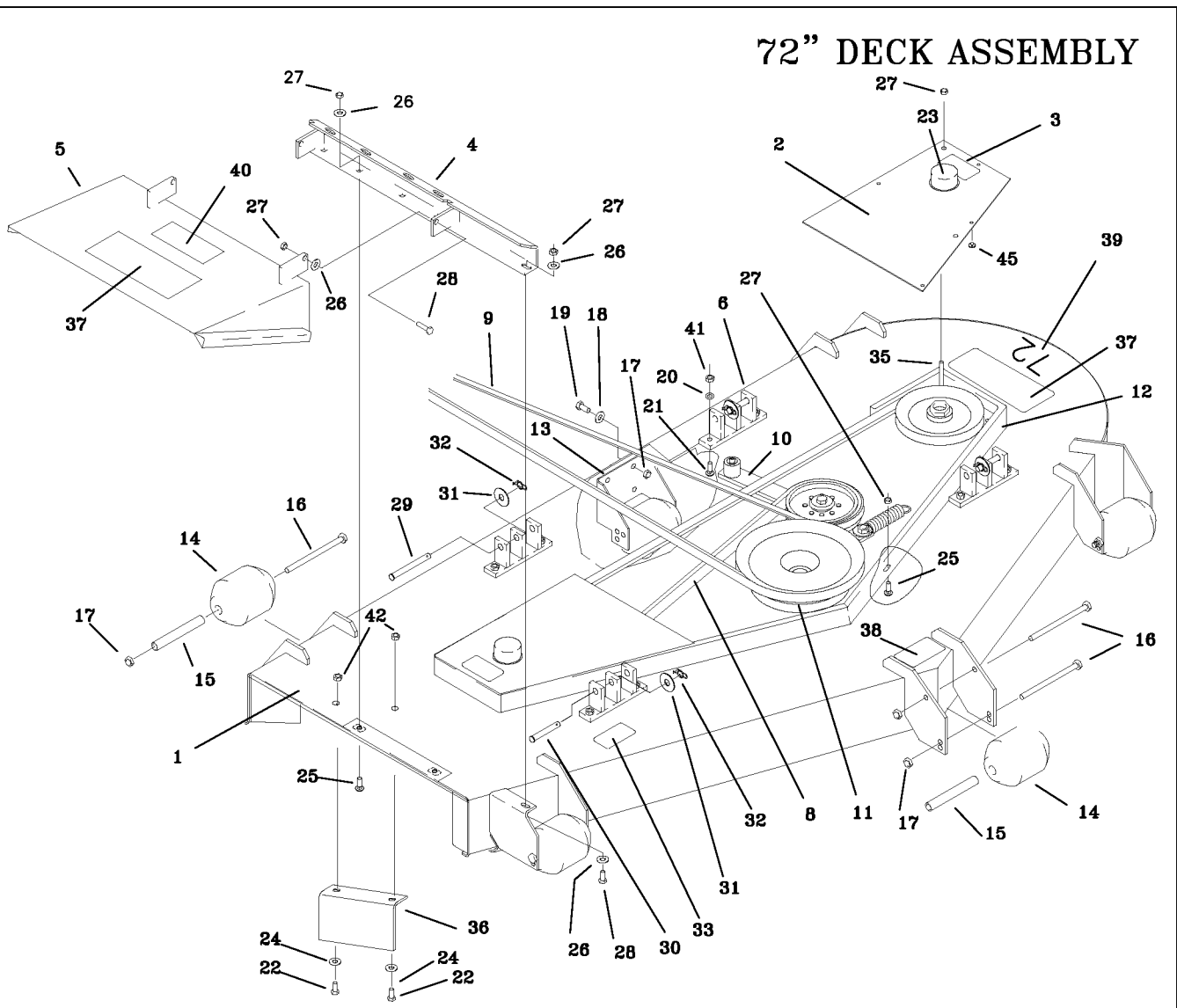
REF NO.	PART NO.	QTY.	DESCRIPTION	REF NO.	PART NO.	QTY.	DESCRIPTION
1	643-084A	1	52" DECK W/DECALS	24	F-1009-01	7	1/4" FLAT WASHER
2	643-083A	2	PULLEY COVER W/DECAL	25	F-1671	4	CARRIAGE BOLT 5/16 X 3/4
3	643-042P	1	AIR BAFFLE	26	F-1009-02	9	5/16" FLAT WASHER
4	637-053W	1	OUTLET STIFFENER	27	F-1125	9	5/16-18 LOCKNUT
5	637-062A	1	60" DECK CHUTE W/DECAL	28	F-1015-15	5	5/16-18 X 1" GR. 5
6	643-016W	4	DECK HANGER	29	H-2240	2	PIN, 1/2" X 4-1/2"
7	D-3808	1	PULLEY, DOUBLE "B" GROOVE	30	F-1816	2	PIN, 1/2" X 2-1/2"
8	D-3807	1	V-BELT, B-114	31	F-1521	4	1/2" FLAT WASHER
9	D-3809	1	V-BELT, B-120	32	H-2239	4	RUE RING 1/2"
10	-----	1	SINGLE IDLER ASS'Y , SEE PG. 5	33	P-10947	1	DECAL, "GREASE SPINDLE"
11	-----	1	SPINDLE ASSEMBLY, SEE PG. 4	34	P-10122	1	DECAL, "MISSING CHUTE"
13	609-182P	2	REAR SCALPER BRACKET	35	P-10935	2	DECAL, "ROTATING..."
14	H-1948	5	ROLLER, 3-3/4 DIA. X 4-13/16	36	643-047W	1	DUST BAFFLE WLDT. 52"
15	609-183P	5	WHEEL BUSHING	37	P-10941	2	DECAL, "MULTI PERIL"
16	F-1741	6	3/8-16 X 6" GR. 5	38	P-11413	1	DECAL, "HOIST POINT"
17	F-1005-03	21	3/8 LOCKNUTSTOVER	39	P-11951	1	DECAL, 52"
18	F-1009-03	8	3/8 FLAT WASHER	40	P-10937	1	DECAL, "WARNING"
19	F-1558	8	3/8-16 X 7/8 GR. 5	41	F-1158	2	LOCKNUT, 1/4-20
20	F-1019-03	8	3/8" LOCKWASHER	42	F-1935	1	1/4-20 X 1 1/2" CARRIAGE BOLT
21	F-1672	8	CARRIAGE BOLT, 3/8 X 1-1/4	43	F-1823	1	1/4-20 X 3/4 CARRIAGE BOLT
22	F-1538	5	1/4-20 X 3/4 GR. 5				
23	F-1019-01	4	1/4" LOCKWASHER				

60" DECK ASSEMBLY



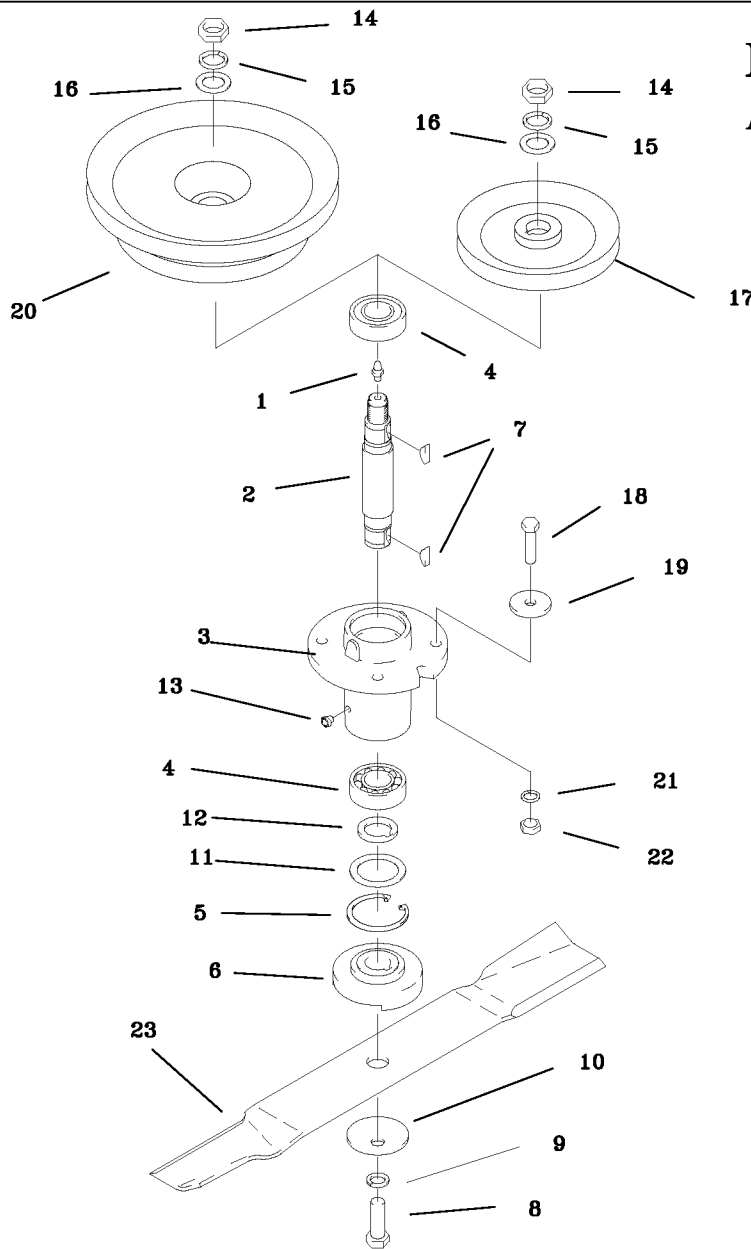
REF NO.	PART NO.	QTY.	DESCRIPTION	REF NO.	PART NO.	QTY.	DESCRIPTION
1	643-081A	1	60" DECK W/DECALS	24	F-1009-01	9	1/4" FLAT WASHER
2	643-083A	2	PULLEY COVER W/DECAL	25	F-1671	4	CARRIAGE BOLT 5/16 X 3/4
3				26	F-1009-02	8	5/16" FLAT WASHER
4	637-053W	1	OUTLET STIFFENER	27	F-1125	7	5/16-18 LOCKNUT
5	637-062A	1	60" DECK CHUTE W/DECAL	28	F-1015-15	3	5/16-18 X 1" GR. 5
6	643-016W	4	DECK HANGER	29	H-2240	2	PIN, 1/2" X 4-1/2"
7	D-3802	1	PULLEY, DOUBLE "B" GROOVE SMALL	30	F-1816	2	PIN, 1/2" X 2-1/2"
8	D-3796	1	V-BELT, B-124	31	F-1521	4	1/2" FLAT WASHER
9	D-3809	1	V-BELT, B-120	32	H-2239	4	RUE RING 1/2"
10	-----	1	SINGLE IDLER ASSEMBLY, SEE PG. 5	33	P-10947	1	DECAL, "GREASE SPINDLE"
11	-----	1	SPINDLE ASSEMBLY, SEE PG. 4	34	P-10122	1	DECAL, "MISSING CHUTE"
12				35	P-10935	2	DECAL, "ROTATING..."
13	609-182P	2	REAR SCALPER BRACKET	36	643-047W	1	DUST BAFFLE WLDT. 60"
14	H-1948	6	ROLLER, 3-3/4 DIA. X 4-13/16	37	P-10941	2	DECAL, "MULTI PERIL"
15	609-183P	6	WHEEL BUSHING	38	P-11413	1	DECAL, "HOIST POINT"
16	F-1741	7	3/8-16 X 6" GR. 5	39	P-11952	1	DECAL, 60"
17	F-1239	15	3/8 LOCKNUT	40	P-10937	1	DECAL, "WARNING"
18	F-1009-03	8	3/8 FLAT WASHER	41	F-1005-03	8	LOCKNUT, 3/8 STOVER
19	F-1558	8	3/8-16 X 7/8 GR. 5	42	F-1158	4	LOCKNUT, 1/4-20
20	F-1019-03	8	3/8" LOCKWASHER	43	F-1935	1	1/4-20 X 1 1/2" CARRIAGE BOLT
21	F-1672	8	CARRIAGE BOLT, 3/8 X 1-1/4	44	F-1823	1	1/4-20 X 3/4 CARRIAGE BOLT
22	F-1538	7	1/4-20 X 3/4 GR. 5	45	643-042P	1	AIR BAFFLE
23	F-1019-01	4	1/4" LOCKWASHER				

72" DECK ASSEMBLY



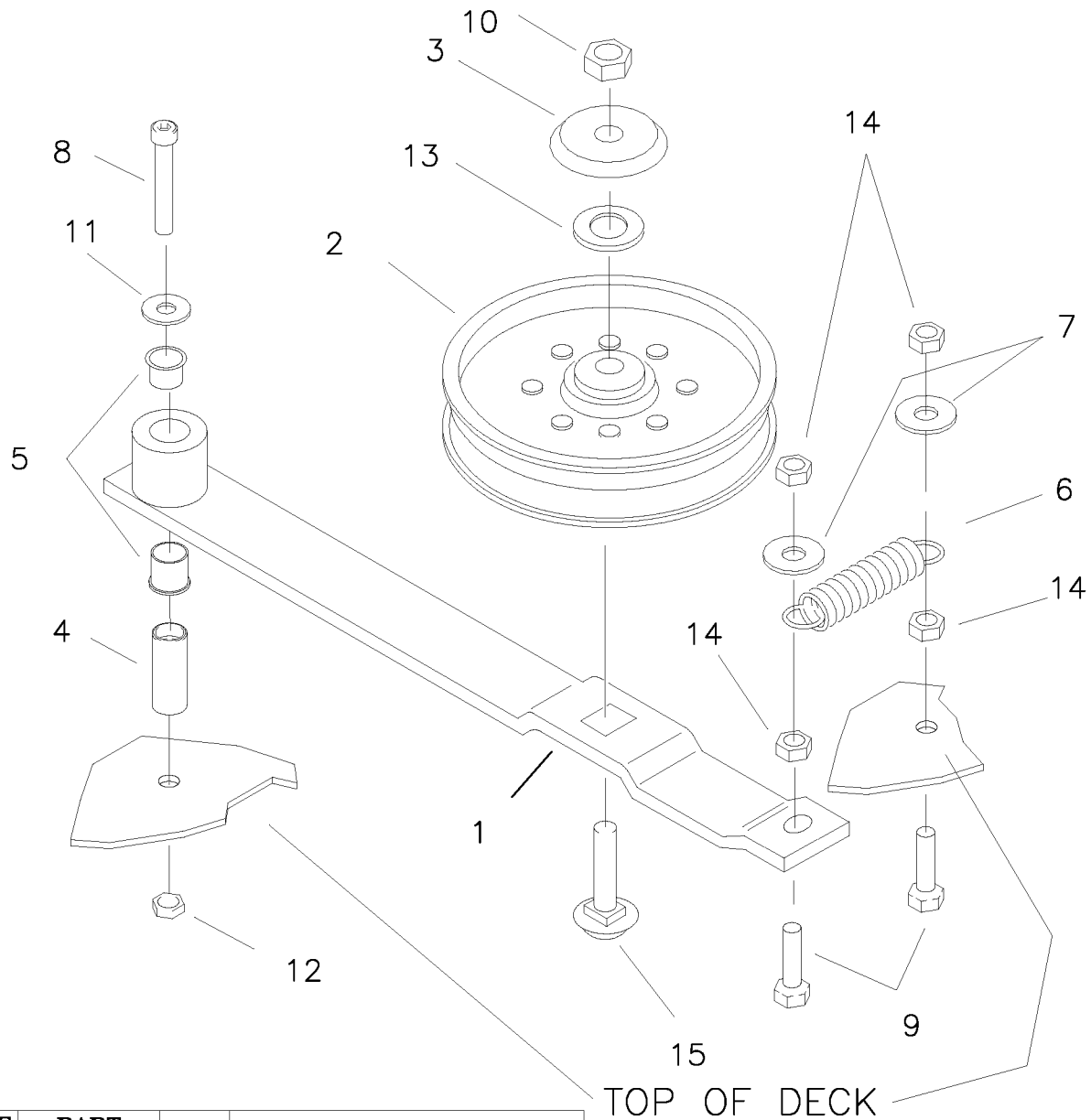
REF NO.	PART NO.	QTY.	DESCRIPTION	REF NO.	PART NO.	QTY.	DESCRIPTION
1	643-082A	1	72" DECK W/DECALS	24	F-1009-01	5	1/4" FLAT WASHER
2	643-070A	2	PULLEY COVER, W/DECAL	25	F-1671	21	CARRIAGE BOLT 5/16 X 3/4
3	P-10935	2	DECAL, "ROTATING..."	26	F-1009-02	6	5/16" FLAT WASHER
4	643-051W	1	OUTLET STIFFENER	27	F-1125	29	5/16-18 LOCKNUT
5	643-071A	1	72" DECK CHUTE W/DECAL	28	F-1015-15	4	5/16-18 X 1" GR. 5
6	643-016W	4	DECK HANGER	29	H-2240	2	PIN, 1/2" X 4-1/2"
8	D-3797	1	V-BELT, B-142	30	F-1816	2	PIN, 1/2" X 2-1/2"
9	D-3796	1	V-BELT, MOTOR TO DECK, B-124	31	F-1521	4	1/2" FLAT WASHER
10	-----	1	SINGLE IDLER ASSEMBLY, SEE PG. 5	32	H-2239	4	RUE RING 1/2"
11	-----	1	SPINDLE ASSEMBLY, SEE PG. 4	33	P-10947	1	DECAL, "GREASE SPINDLE"
12	643-068P	1	TOP STIFFENER, 72"	34	P-10122	1	DECAL, "MISSING CHUTE"
13	609-182P	1	REAR SCALPER BRACKET	35	F-1707	4	CARRIAGE BOLT, 5/16 X 2 1/4"
14	H-1948	6	ROLLER, 3-3/4 DIA. X 4-13/16	36	643-042P	1	AIR BAFFLE
15	609-183P	6	WHEEL BUSHING	37	P-10941	2	DECAL, "MULTI PERIL"
16	F-1741	7	3/8-16 X 6" GR. 5	38	P-11413	1	DECAL, "HOIST POINT"
17	F-1239	11	3/8 LOCKNUT	39	P-11953	1	DECAL 72"
18	F-1009-03	4	3/8 FLAT WASHER	40	P-10937	1	DECAL, "WARNING"
19	F-1558	4	3/8-16 X 7/8 GR. 5	41	F-1005-03	8	LOCKNUT, 3/8 STOVER
20	F-1019-03	8	3/8" LOCKWASHER	42	F-1158	4	LOCKNUT, 1/4-20
21	F-1672	8	CARRIAGE BOLT, 3/8 X 1-1/4	43	F-1935	1	1/4-20 X 1 1/2" CARRIAGE BOLT
22	F-1538	3	1/4-20 X 3/4 GR. 5	44	F-1823	1	1/4-20 X 3/4 CARRIAGE BOLT
23	H-1798	2	GALVANIZED CAP	45	H-2461	8	RUBBER BUMPER

DECK SPINDLE ASSEMBLY



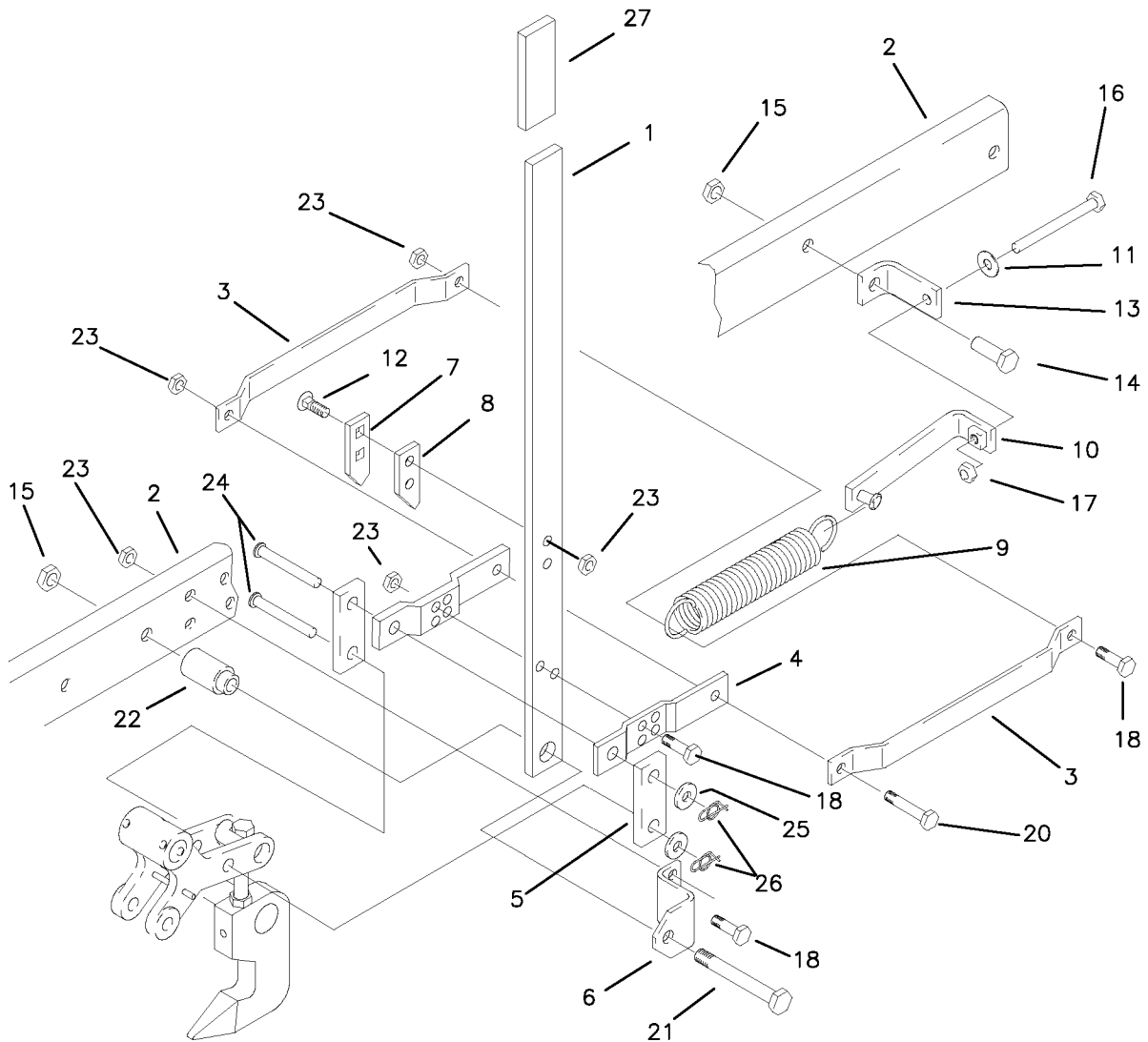
REF NO.	PART NO.	QTY.	DESCRIPTION	REF NO.	PART NO.	QTY.	DESCRIPTION
-	660-045A	-	SPINDLE ASSEMBLY	18	F-1572	4	3/8-24 X 1-1/2" HHCS GR. 5
1	H-1056	1	GREASE FITTING	19	609-034P	4	SPINDLE SPACER REINFORCEMENT
2	609-162P	1	SPINDLE SHAFT	20	D-3802	-	PULLEY, 2 GROOVE 60"
3	609-223P	1	SPINDLE HOUSING	-	D-3801	-	PULLEY, 2 GROOVE 72"
4	D-3058	2	BEARING, #6205-2RS	-	D-3808	-	PULLEY, 2 GROOVE 52"
5	H-1893	1	SNAP RING INT. 52MM	21	F-1019-03	4	3/8" LOCK WASHER
6	609-152P	1	BLADE SPACER	22	F-1573	4	3/8-24 LOCKNUT, M-F
7	D-1004-02	2	KEY, WOODRUF, 1/4 X 3/4	23	H-2499	-	FUSION, HIGH L, 18-3/8" CUT 52"
8	F-1526	1	1/2-13 X 1-1/2" HHCS GR. 5	-	H-2500	-	FUSION, HIGH L, 21" CUT 60"
9	F-1464	1	1/2" LOCK WASHER	-	H-2501	-	FUSION, HIGH L, 25" CUT 72"
10	F-1507	1	WASHER, 1/2" CUPPED	-	H-2387	-	BLADE, LOW L, 18-3/8" CUT 52"
11	609-151P	1	WASHER, SEAL	-	H-1667	-	BLADE, LOW L, 21" CUT 60"
12	609-073P	1	ARBBER SPACER	-	H-2397	-	BLADE, LOW L, 25" CUT 72"
13	H-2066	1	GREASE VENT 5 LBS.	-	H-2246	-	BLADE HIGH L, 18-3/8" CUT 52"
14	F-1461	1	3/4-16 NUT, HEX JAM	-	H-1708	-	BLADE, HIGH L, 21" CUT 60"
15	F-1463	1	3/4" LOCK WASHER	-	H-2459	-	BLADE, HIGH L, 25" CUT 72"
16	F-1510	1	3/4" WASHER, FLAT STD.	-	H-2251	-	BLADE, GATOR 18-3/8" CUT 52"
17	D-3800	-	PULLEY, 1 GROOVE 6 3/16"	-	H-2203	-	BLADE, GATOR 21" CUT 60"

SINGLE IDLER ASSEMBLY & RELATED PARTS



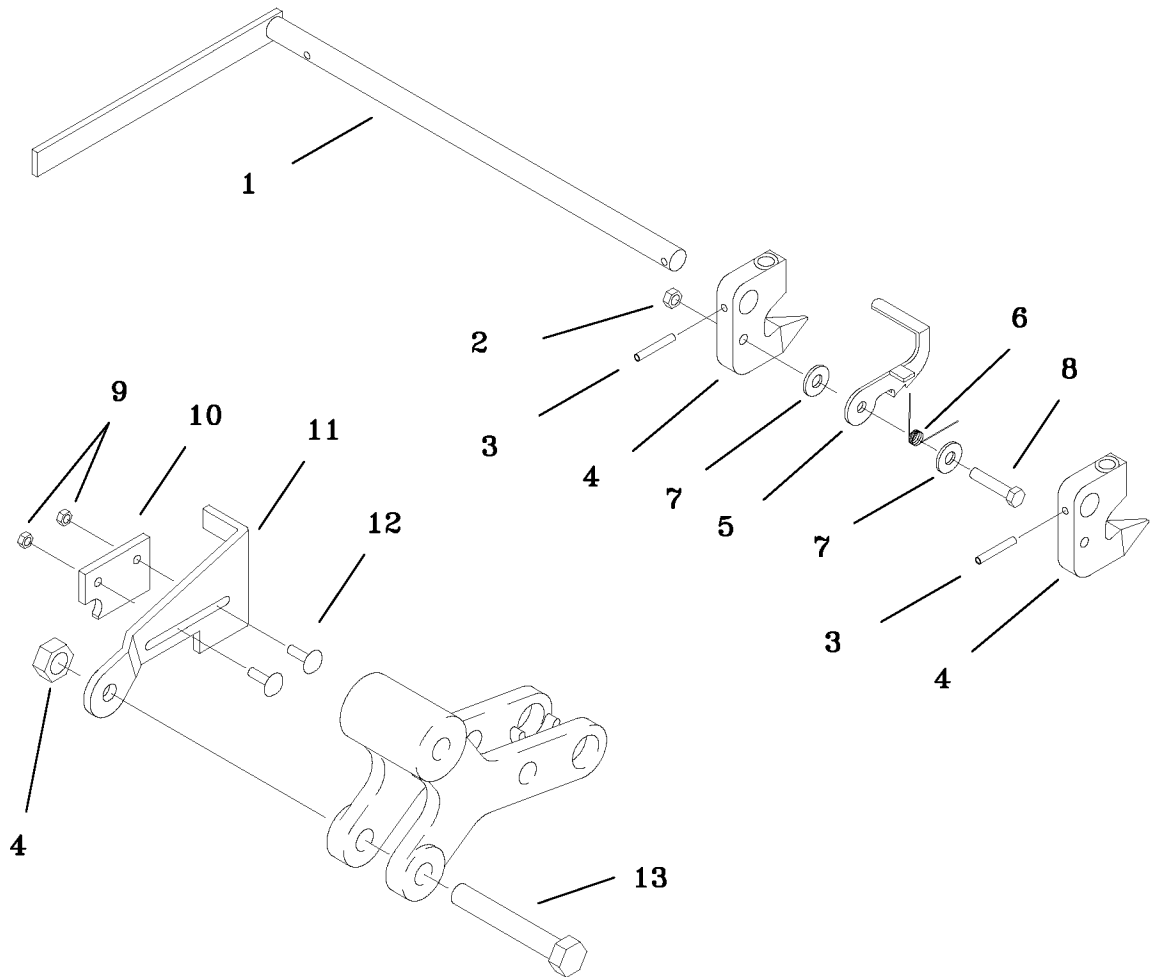
REF NO.	PART NO.	QTY.	DESCRIPTION
1	643-078W	1	SINGLE IDLER
2	D-3774	1	5" IDLER PULLEY
3	620-201P	1	BEARING CAP
4	621-103P	1	PIN
5	D-3730	2	BUSHING, TEFLON COATED
6	H-2092	1	SPRING, 1-1/2" X 5"
7	609-034P	2	REINFORCEMENT WASHER
8	F-1800	1	5/16-18 SHCS X 2-1/4"
9	F-1574	2	3/8-24 X 1-1/4" GR. 5
10	F-1378	1	1/2-13 LOCKNUT
11	F-1009-02	1	5/16 FLAT WASHER
12	F-1125	1	5/16 LOCK NUT
13	F-1521	1	1/2" FLAT WASHER
14	F-1573	3	3/8" LOCK NUT
15	F-1822	1	CARRIAGE BOLT, 1/2 X 2 1/4"

LIFT HANDLE ASSEMBLY & RELATED PARTS



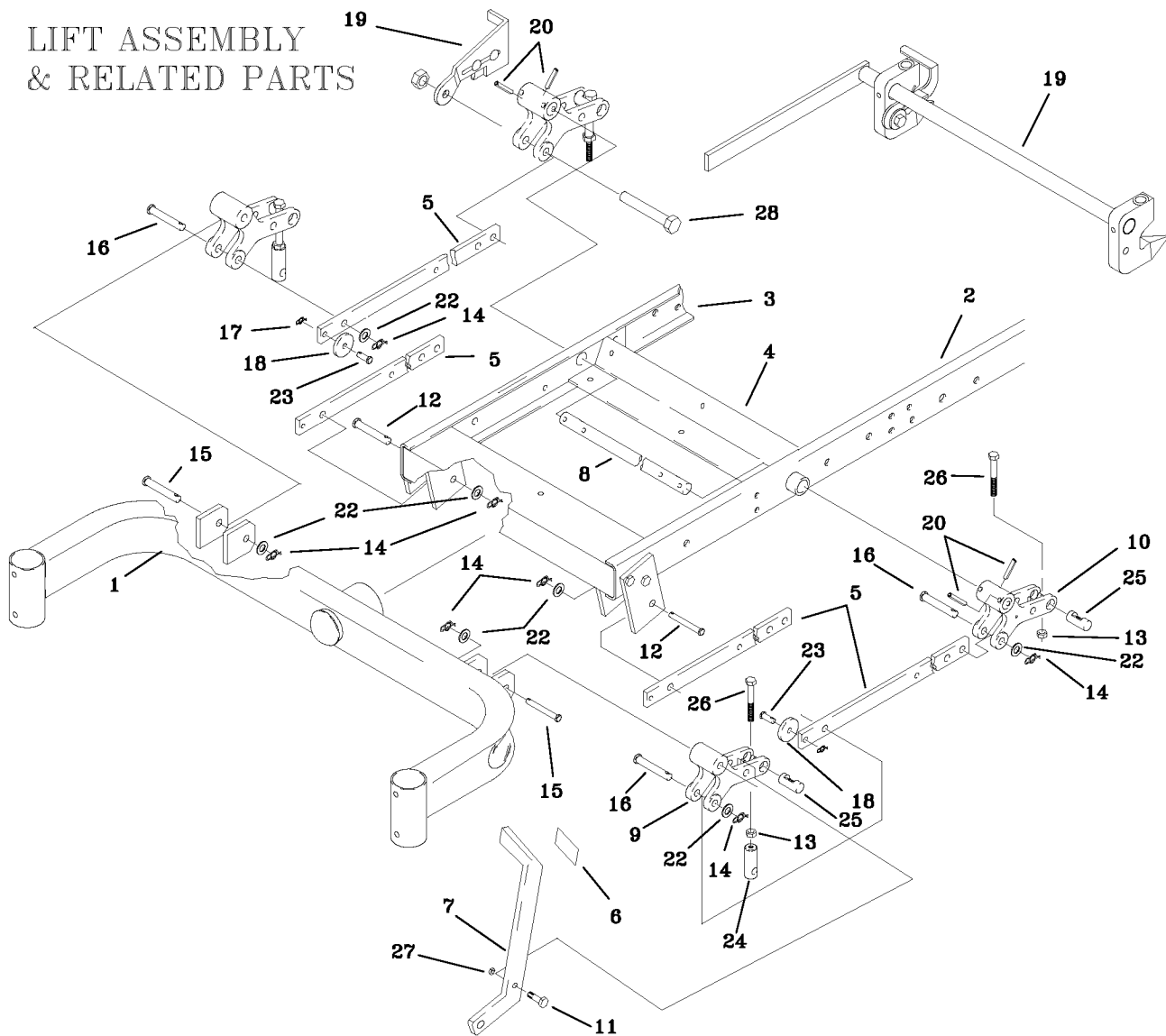
REF NO.	PART NO.	QTY.	DESCRIPTION	REF NO.	PART NO.	QTY.	DESCRIPTION
1	642-062P	1	LIFT HANDLE	14	F-1526	1	3/8-16 X 1-1/2" GR. 5
2	642-040W	1	FRAME WELDMENT, LH.	15	F-1005-05	2	NUT, 1/2-13 LOCKNUT
3	642-055P	2	SPRING EXTENSION	16	F-1646	1	3/8-16 X 5" FULL THREAD
4	642-060P	2	SPRING ANCHOR PLATE	17	F-1011-03	1	HEX NUT, 3/8-16 UNC-2B
5	642-061P	2	HANDLE LINK	18	F-1307	3	3/8-16 X 1-1/4" GR. 5
6	642-041P	1	HANDLE PIVOT BRACKET	19	F-1073	3	3/8-16 X 2" GR. 5
7	642-127P	1	TOP PEG LATCH PLATE	20	F-1015-30	1	3/8-16 X 2 1/2" GR. 5
8	642-126P	1	TOP PEG SPACER PLATE	21	F-1828	1	1/2-13 X 3-1/2" GR. 5
9	H-1610	1	SPRING, 1-1/2" OD. X 8"	22	642-095P	1	HANDLE PIVOT PIN
	H-1868	1	SPRING, HEAVY 8" (72" DECK)	23	F-1005-03	7	NUT, 3/8-16 LOCKNUT (STOVER)
10	620-227W	1	SPRING TIGHTENER WLDT.	24	F-1889	2	CLEVIS PIN, 1/2 X 2-5/8"
11	F-1009-03	1	FLAT WASHER, 3/8"	25	F-1521	2	1/2" FLAT WASHER
12	F-1672	2	3/8-16 X 1-1/4" CARRIAGE BOLT	26	H-2239	2	RUE RING, 1/2"
13	642-071W	1	SPRING ANCHOR WELDMENT	27	H-2324	1	VINYL GRIP, 3/8 X 1-1/2"

QRS SYSTEM PARTS



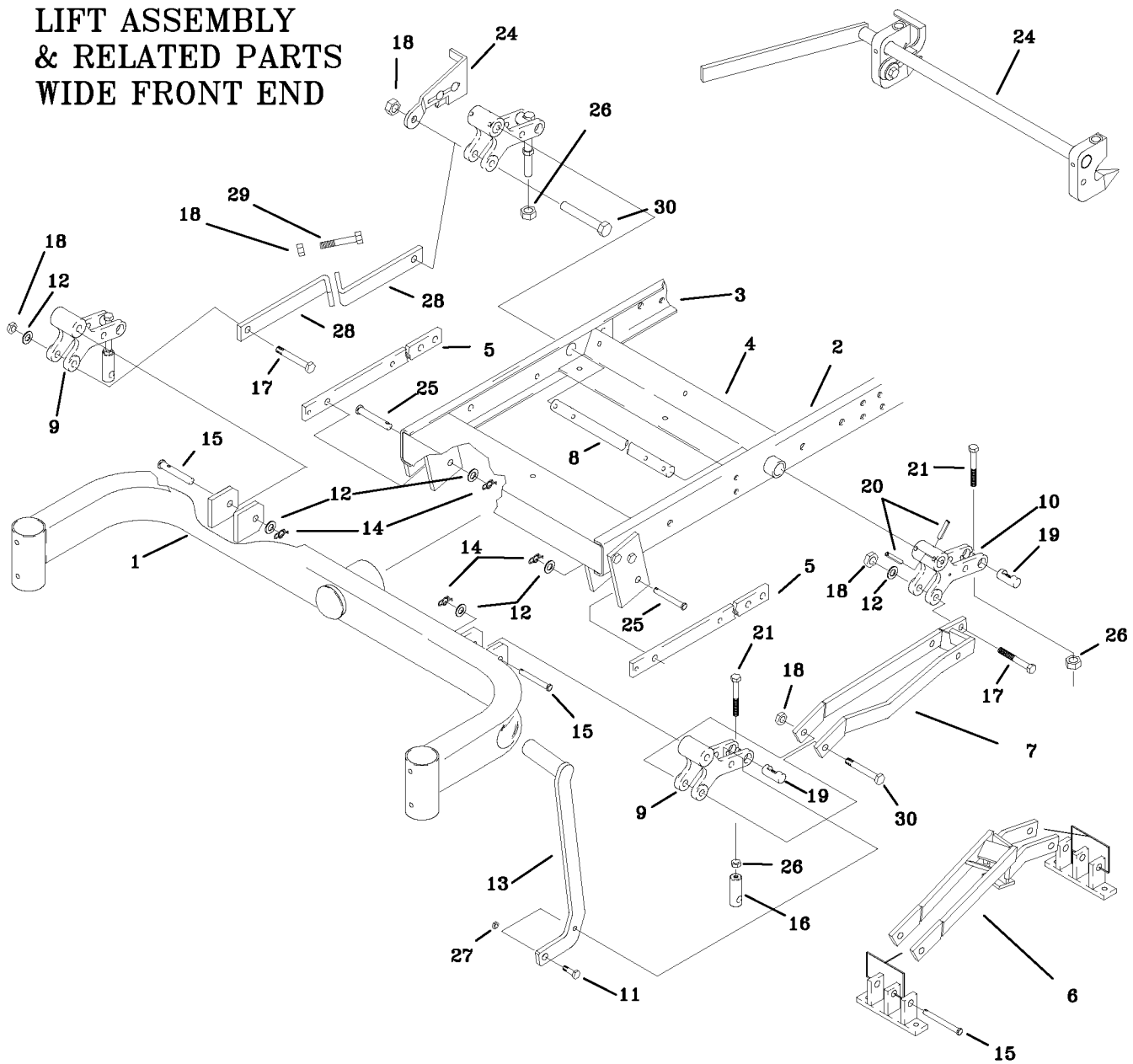
REF NO.	PART NO.	QTY.	DESCRIPTION
1	659-148W	1	RELEASE HANDLE
-	659-163W	1	RELEASE HANDLE FOR 72" BOSS
2	F-1005-03	1	3/8-16 STOVER NUT
3	F-2009	2	ROLL PIN
4	659-140P	2	HOOK
5	659-145P	1	HOOK KEEPER
6	H-2547	1	SPRING
7	F-1009-03	2	3/8" FLAT WASHER
8	F-1073	1	3/8-16 X 2" BOLT
9	F-1158	1	1/4-20 STOVER NUT
10	659-170P	1	CATCH
11	659-146P	1	LATCH PLATE
12	F-1823	1	1/4 X 3/4" CARRIAGE BOLT
13	F-1828	1	1/2-13 X 3-1/2' BOLT

LIFT ASSEMBLY
& RELATED PARTS



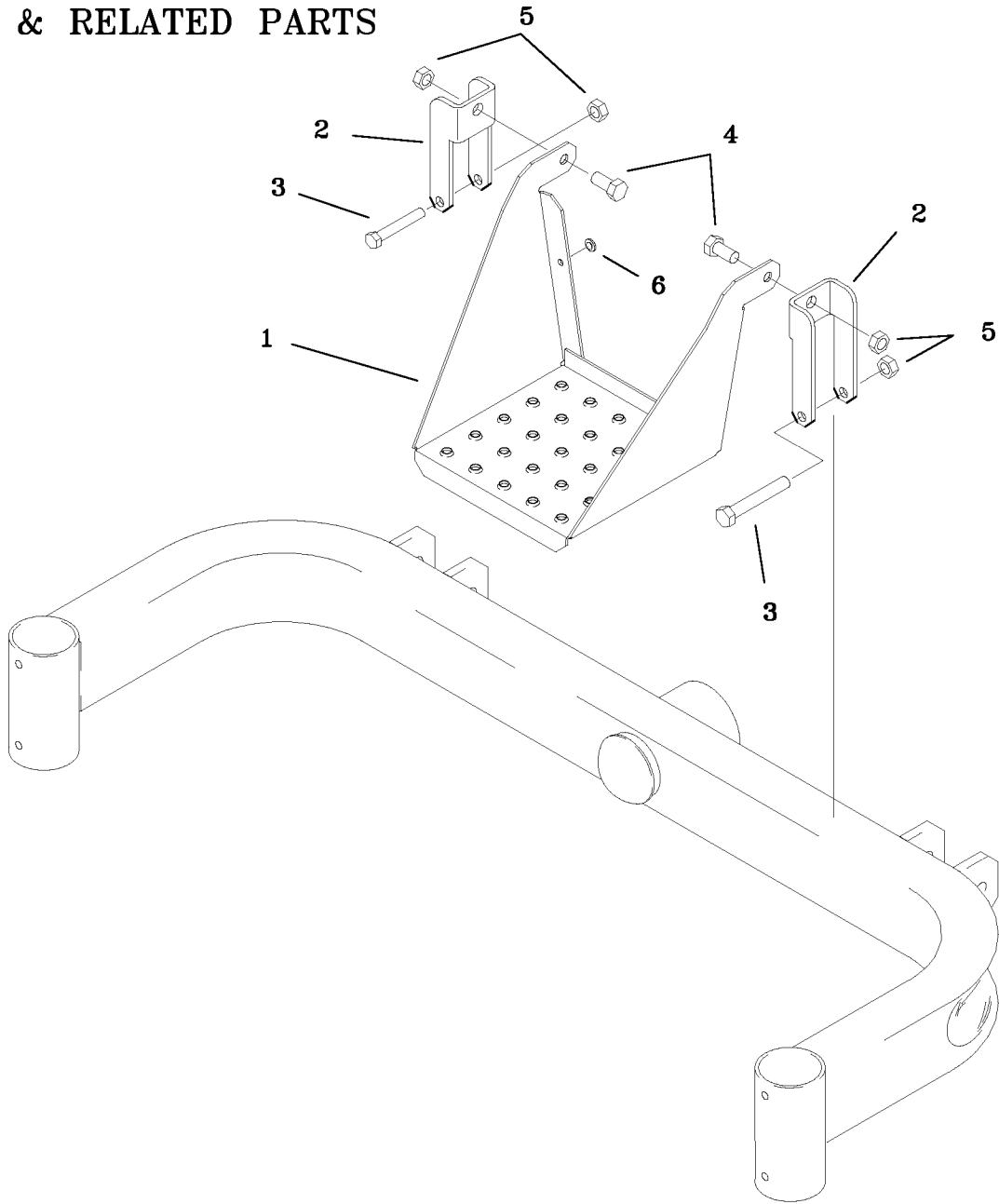
REF NO.	PART NO.	QTY.	DESCRIPTION	REF NO.	PART NO.	QTY.	DESCRIPTION
1	642-185W	1	FRONT AXLE WELDMENT	19	-----	1	QRS SYSTEM, SEE PAGE 7
2	642-040W	1	FRAME WELDMENT, LH	20	F-1036-37	4	ROLL PIN, 5/16 DIA. X 1.750
3	642-039W	1	FRAME WELDMENT, RH	21	-	-	-
4	642-019W	1	FRONT PIVOT CHANNEL	22	F-1521	7	WASHER, 1/2 NARROW
5	642-059P	4	LINK BAR	23	F-1691	2	CLEVIS PIN, 3/8 X 1"
6	H-2401	1	TREAD PAD	24	642-175P	2	ADJUSTABLE HANGER END
7	659-056P	1	DECK LIFT PEDAL	25	642-177P	4	HANGER PIN
8	620-051P	1	LIFT BAR	26	F-1936	4	1/2-13 X 3-1/2, 2" THREAD
9	642-081P	2	LIFT SLEEVE, FRONT	27	F-1125	1	5/16 LOCKNUT
10	642-082P	2	LIFT SLEEVE, REAR	28	F-1828	1	1/2-13 X 3-1/2" BOLT
11	F-1879	1	5/16-18 X 1 1/4", GR.5				
12	F-1896	2	CLEVIS PIN, 1/2 X 1-3/4"				
13	F-1489	4	NUT. 1/2" JAM				
14	H-2239	7	RUE RING, 1/2"				
15	F-1890	2	CLEVIS PIN, 1/2 X 3-1/2"				
16	F-1898	3	CLEVIS PIN, 1/2 X 2-3/4"				
17	F-1492	2	RUE RING, 5/16-3/8 PIN				
18	642-105P	2	ROLLER				

**LIFT ASSEMBLY
& RELATED PARTS
WIDE FRONT END**



REF NO.	PART NO.	QTY.	DESCRIPTION	REF NO.	PART NO.	QTY.	DESCRIPTION
1	642-186W	1	WIDE FRONT AXLE WELDMENT	18	F-1005-05	5	NUT, 1/2" STOVER
2	647-142W	1	FRAME WELDMENT, LH	19	642-177P	2	HANGER PIN
3	647-143W	1	FRAME WELDMENT, RH	20	F-1036-37	4	ROLL PIN, 5/16 DIA. X 1.750
4	642-019W	1	FRONT PIVOT CHANNEL	21	F-1936	4	1/2-13 X 3-1/2, 2" THREAD
5	642-059P	2	LINK BAR	22	F-1573	2	LOCK NUT 3/8-24
6	629-545W	1	LOWER JACK MNT.	23	F-1572	2	3/8-24 X 1-1/2 HH GR. 5
7	629-540W	1	UPPER JACK MNT.	24	----	1	QRS SYSTEM, SEE PAGE 7
8	620-051P	1	LIFT BAR	25	F-1896	2	CLEVIS PIN, 1/2 X 1-3/4"
9	642-081P	2	LIFT SLEEVE, FRONT	26	F-1489	4	NUT, 1/2" JAM
10	642-082P	2	LIFT SLEEVE, REAR	27	F-1125	1	5/16" LOCKNUT
11	F-1897	1	5/16-18 X 1-1/4" BOLT	28	647-144P	2	OFFSET LINK BAR ADJUSTABLE
12	F-1521	7	WASHER, 1/2 NARROW	29	F-1386	1	1/2-13 X 1-1/4" BOLT
13	629-249W	1	OFFSET DECK LIFT PEDAL	30	F-1828	2	1/2-13 X 3-1/2" BOLT
14	H-2239	3	RUE RING, 1/2"				
15	F-1890	3	CLEVIS PIN, 1/2 X 3-1/2"				
16	642-175P	2	ADJUSTABLE HANGER END				
17	F-1439	3	1/2-13 X 3", GR.5				

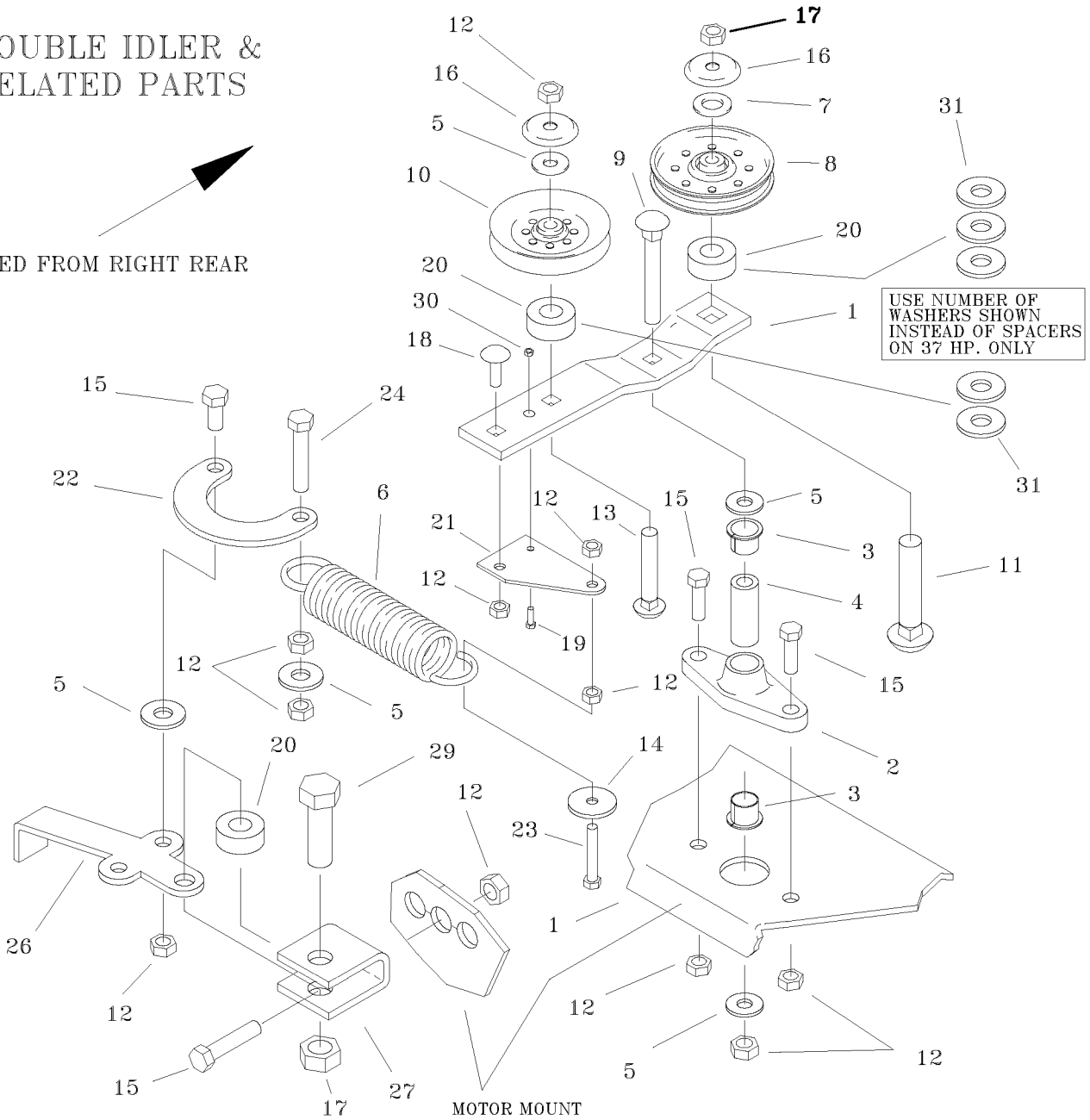
STEP & RELATED PARTS



REF NO.	PART NO.	QTY.	DESCRIPTION
1	647-133P	1	STEP
2	647-134P	2	YOKE
3	F-1537	2	3/8-16 X 3" BOLT
4	F-1015-23	2	3/8-16 X 3/4" BOLT
5	F-1005-03	4	3/8-16 STOVER NUT
6	H-2461	2	BUMPER, RUBBER

DOUBLE IDLER &
RELATED PARTS

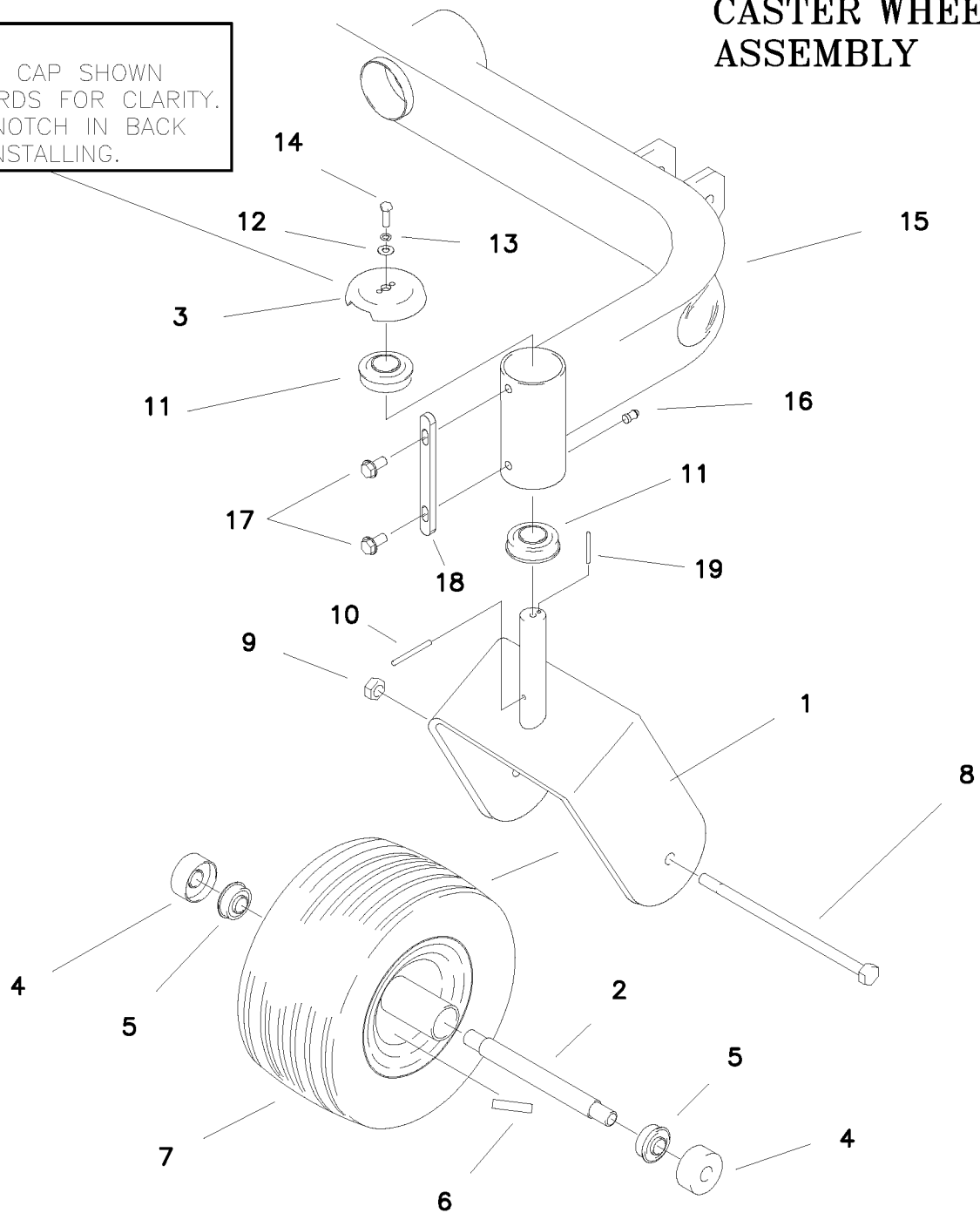
VIEWED FROM RIGHT REAR



REF NO.	PART NO.	QTY.	DESCRIPTION	REF NO.	PART NO.	QTY.	DESCRIPTION
1	660-036P	1	IDLER ARM	16	620-201P	2	BEARING CAP
2	660-039P	1	DOUBLE IDLER MOUNT	17	F-1005-05	2	1/2" STOVER NUT
3	D-3730	2	BUSHING	18	F-1008-23	1	3/8-16 X 3/4 CARRIAGE BOLT
4	659-085P	1	MOUNTING PIN	19	F-1538	1	1/4 X 3/4 BOLT
5	F-1009-03	8	3/8" FLAT WASHER	20	660-038P	3	3/8" THICK SPACER (NOT ON 37)
6	H-2092	1	SPRING	21	647-193P	1	IDLER EXTENSION
7	F-1521	1	1/2" FLAT WASHER, (NARROW)	22	647-194P	1	BELT TIGHTENER LOOP
8	D-3338	1	IDLER PULLEY	23	F-1073	1	3/8-16 X 2" BOLT
9	F-1865	1	3/8-16 X 2-1/2" CARRIAGE BOLT	24	F-1307	1	3/8-16 X 1-1/4" BOLT
10	D-3758	1	"V" IDLER PULLEY	25	-	-	-
11	F-1822	1	1/2-13 X 2-1/4" CARRIAGE BOLT	26	660-030P	1	HANDLE
12	F-1005-03	10	3/8-16 STOVER NUT	27	661-015P	1	SHACKLE
13	F-1177	1	3/8-16 X 1-1/2" CARRIAGE BOLT	28	-	-	-
14	609-034P	1	SPINDLE SPACER WASHER	29	F-1526	1	1/2-13 X 1-1/2" BOLT
15	F-1394	4	3/8-16 X 1" BOLT	30	F-1158	1	1/4-20 LOCK NUT
				31	F-1521	5	1/2" FLAT WASHER 37 HP ONLY

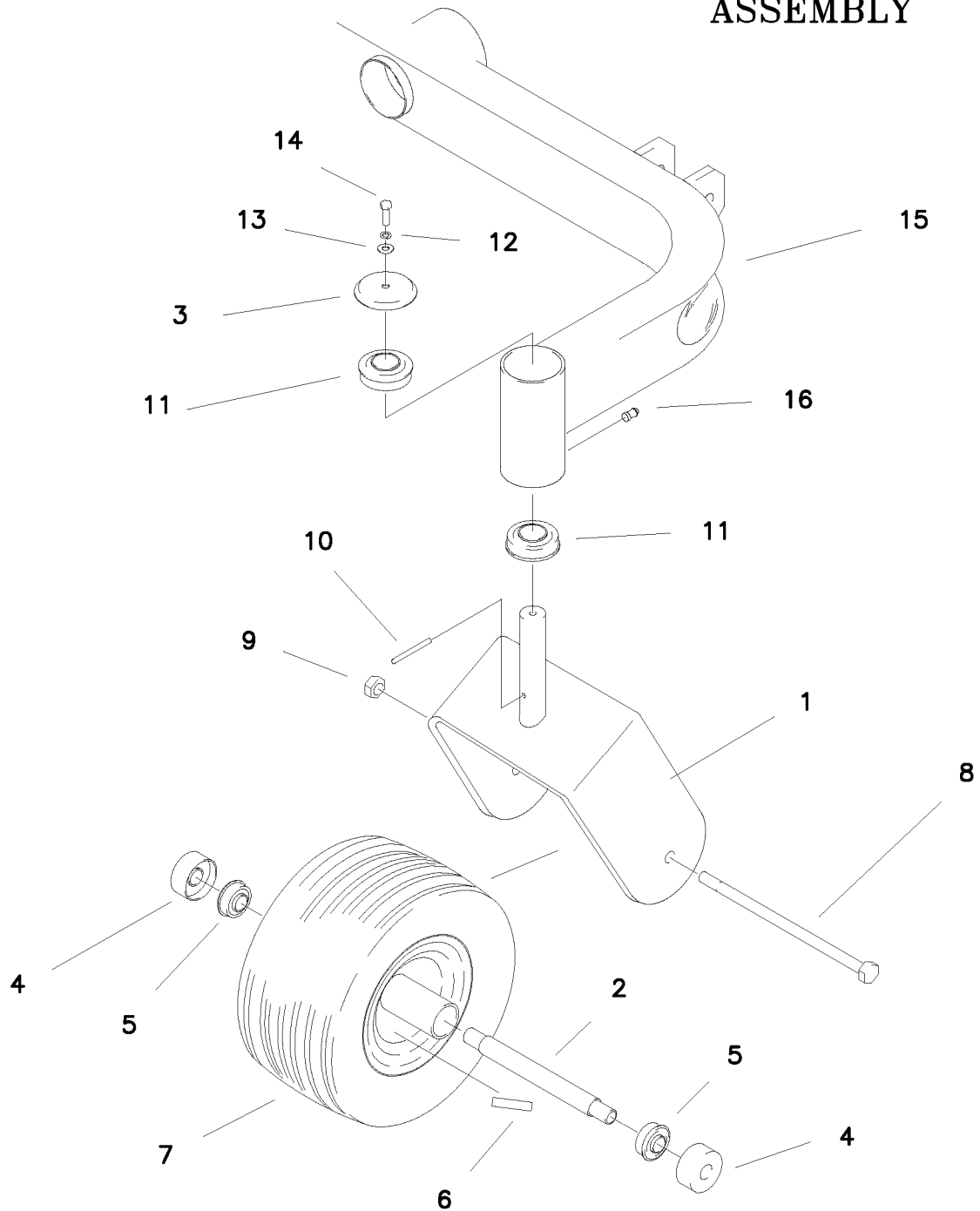
ANTI-ROTATING CASTER WHEEL ASSEMBLY

NOTE:
BEARING CAP SHOWN
BACKWARDS FOR CLARITY.
PLACE NOTCH IN BACK
WHEN INSTALLING.



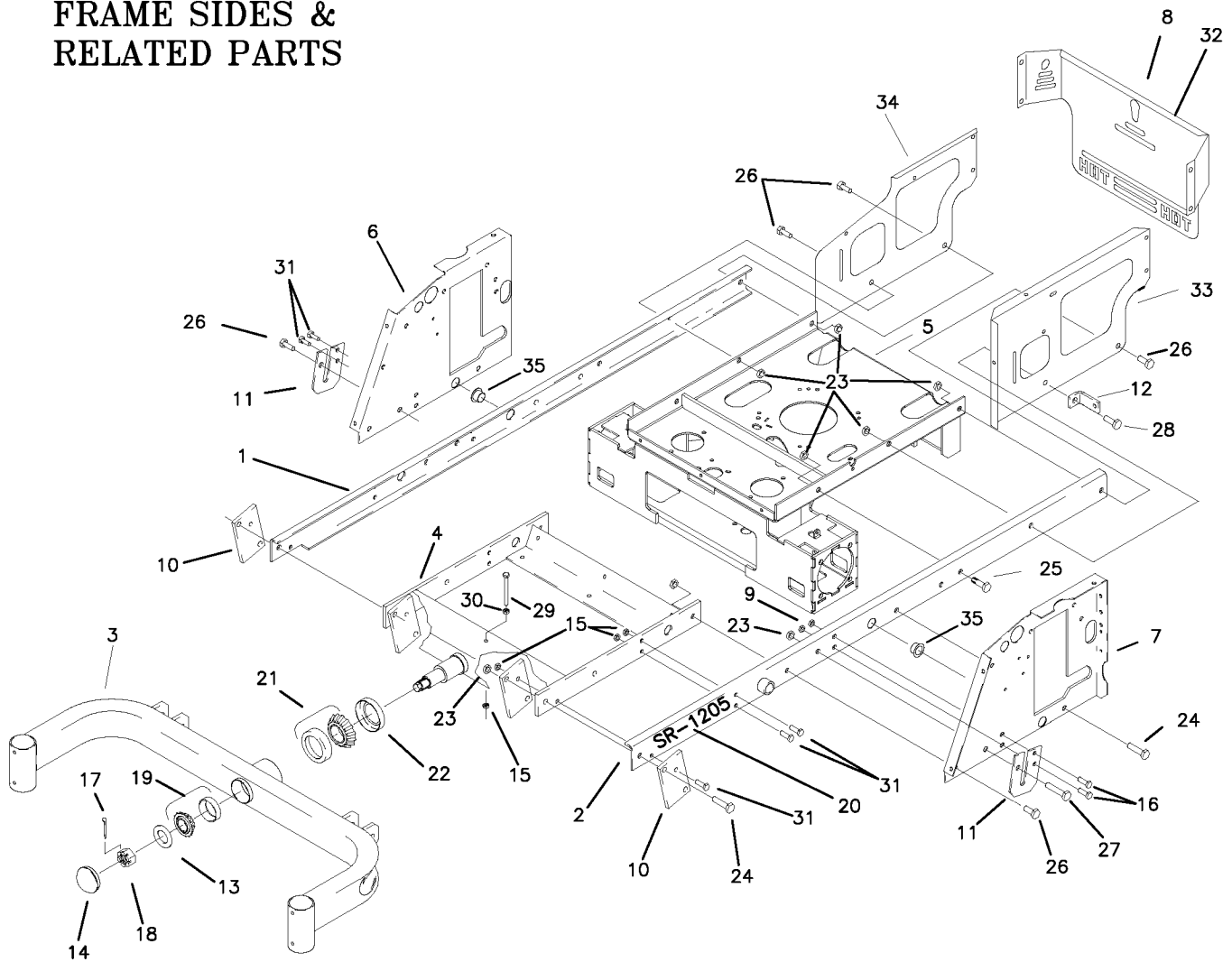
REF NO.	PART NO.	QTY.	DESCRIPTION	REF NO.	PART NO.	QTY.	DESCRIPTION
1	647-192W	1	CASTER YOKE	10	F-1456	2	3/16 ROLL PIN
2	647-038P	2	BEARING SPACER	11	D-2008-02	4	BEARING, SPD SF-16-32
3	636-177P	2	BEARING CAP	12	F-1009-01	2	1/4" FLAT WASHER
4	611-135P	4	BEARING SHIELD	13	F-1019-01	2	1/4" LOCK WASHER
5	D-3432	4	BEARING, 5/8 ID X 1-3/8 OD	14	F-1810	2	1/4-20 X 3/4 W/NYLON PATCH
6	P-11384	2	DECAL, 12, PSI	15	-----	1	SEE PAGE 8 OR 9
7	D-3670	2	TIRE, 13 X 650-6 (RIBBED)	16	H-1056	2	GREASE ZERK
8	F-1908	2	1/2-13 X 9" GR. 8 BOLT	17	F-2030	2	1/4 X 5/8 SELF TAPPING SCREW
9	F-1966	2	1/2-13 THIN NYLOCK NUT	18	659-185P	1	STOP TAB
				19	F-1855	1	3/16 X 1 ROLL PIN

CASTER WHEEL ASSEMBLY



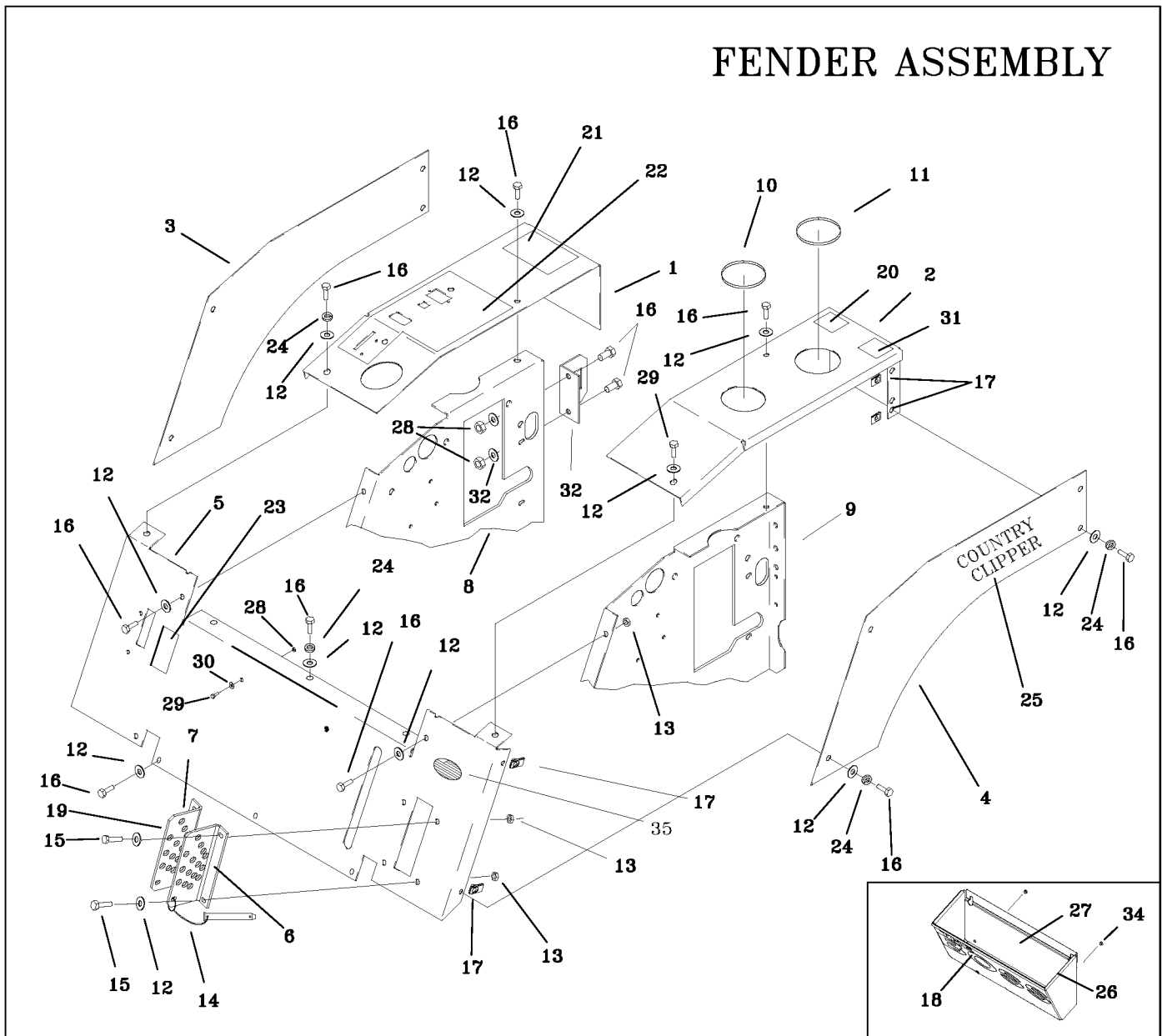
REF NO.	PART NO.	QTY.	DESCRIPTION	REF NO.	PART NO.	QTY.	DESCRIPTION
1	647-003W	1	CASTER YOKE	9	F-1966	2	1/2-13 THIN NYLOCK NUT
2	647-038P	2	BEARING SPACER	10	F-1456	2	3/16 ROLL PIN
3	609-099P	2	BEARING CAP	11	D-2008-02	4	BEARING, SPD SF-16-32
4	611-135P	4	BEARING SHIELD	12	F-1009-01	2	1/4" FLAT WASHER
5	D-3432	4	BEARING, 5/8 ID X 1-3/8 OD	13	F-1019-01	2	1/4" LOCK WASHER
6	P-11384	2	DECAL, 12, PSI	14	F-1810	2	1/4-20 X 3/4 W/NYLON PATCH
7	D-3670	2	TIRE, 13 X 650-6 (RIBBED)	15	-----	1	SEE PAGE 8 OR 9
8	F-1908	2	1/2-13 X 9" GR. 8 BOLT	16	H-1056	2	GREASE ZERK

FRAME SIDES & RELATED PARTS



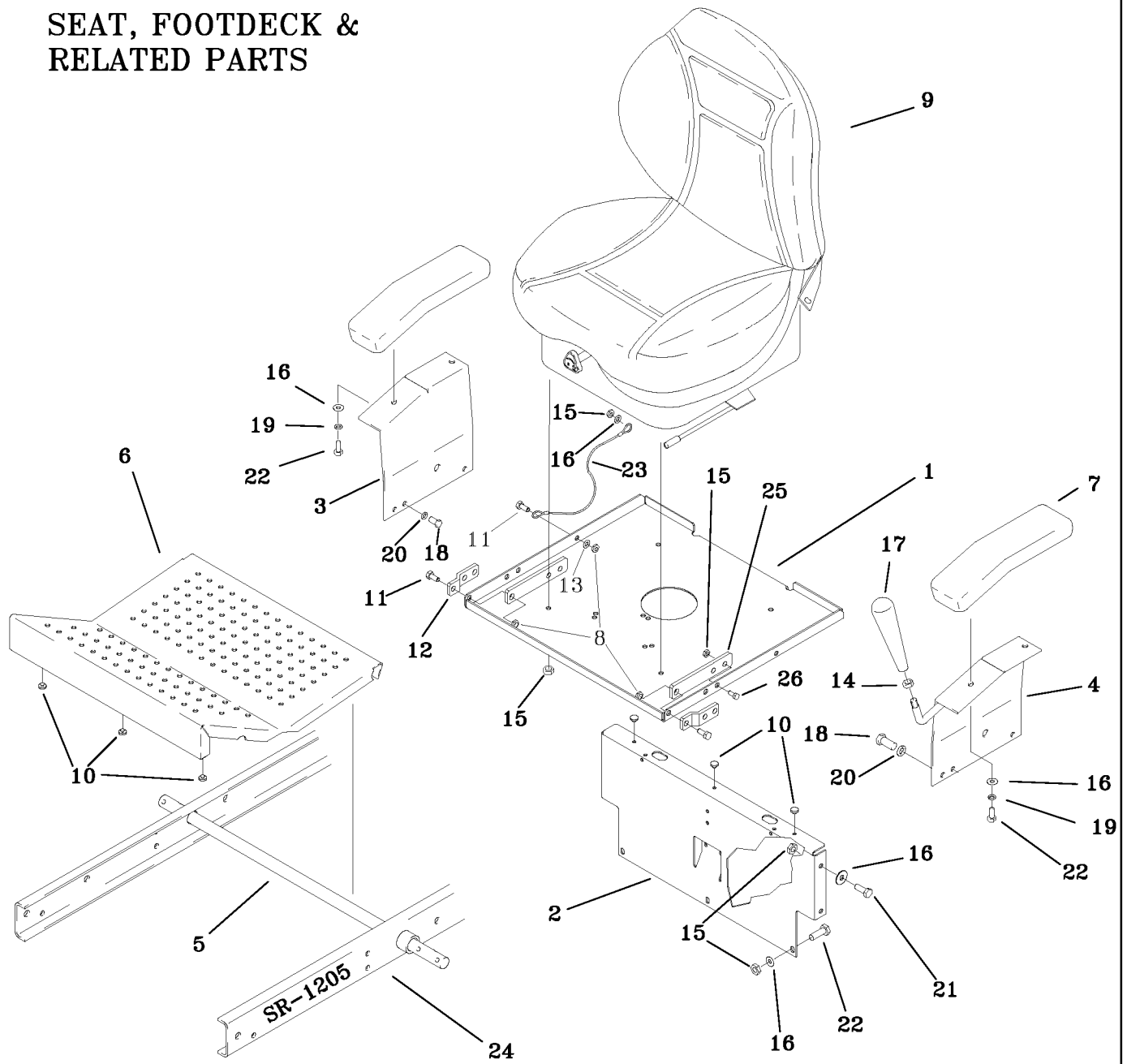
REF NO.	PART NO.	QTY.	DESCRIPTION	REF NO.	PART NO.	QTY.	DESCRIPTION
1	647-143W	1	FRAME SIDE RH.	18	F-1724	1	1"-14 CASTLE NUT
2	647-142W	1	FRAME SIDE LH.	19	D-3782	1	TAPERED BEARING SET
3	642-185W	1	FRONT AXLE	20	----	2	SEE PAGE 16
	642-186W	1	FRONT AXLE (WIDE)	21	D-3646	1	TAPERED ROLLER BRG.
4	642-019W	1	FRONT PIVOT CHANNEL	22	D-3647	1	SEAL, #19992
5	647-188W	1	MOTOR MOUNT WLDT.	23	F-1005-05	10	1/2" LOCK NUT
6	647-195P	1	SIDE PANEL RH.	24	F-1293	4	1/2-13 X 2" GR. 5
7	647-196P	1	SIDE PANEL LH.	25	F-1759	2	1/2-13 X 1" GR.5
8	647-123A	1	ENGINE GUARD REAR W/DECAL	26	F-1386	4	1/2-13 X 1-1/4" GR. 5
9	F-1005-03	2	3/8-16 STOVER NUT	27	F-1828	1	1/2-13 X 3-1/2" GR. 5
10	642-063P	4	DRAG BAR TAB	28	F-1526	1	1/2-13 X 1-1/2" GR. 5
11	642-042P	2	BRAKE ROD MOUNT	29	F-1073	1	3/8-16 X 2" GR. 5
12	642-071W	1	SPRING ANCHOR	30	F-1011-03	1	3/8-16 NUT, UNC-2B
13	606-303P	1	1" WASHER	31	F-1558	10	3/8-16 X 7/8" GR. 5
14	620-206P	1	GREASE CAP	32	P-12097	1	COUNTRY CLIPPER, DECAL
15	F-1239	11	3/8-16 LOCK NUT	33	647-137P	1	LEFT SIDE MOTOR GUARD
16	F-1307	2	3/8-16 X 1-1/4", GR.5	34	647-136P	1	RIGHT SIDE MOTOR GUARD
17	F-1728	1	3/16 X 2" COTTER PIN	35	D-3730	2	BUSHING, JOY STICK

FENDER ASSEMBLY



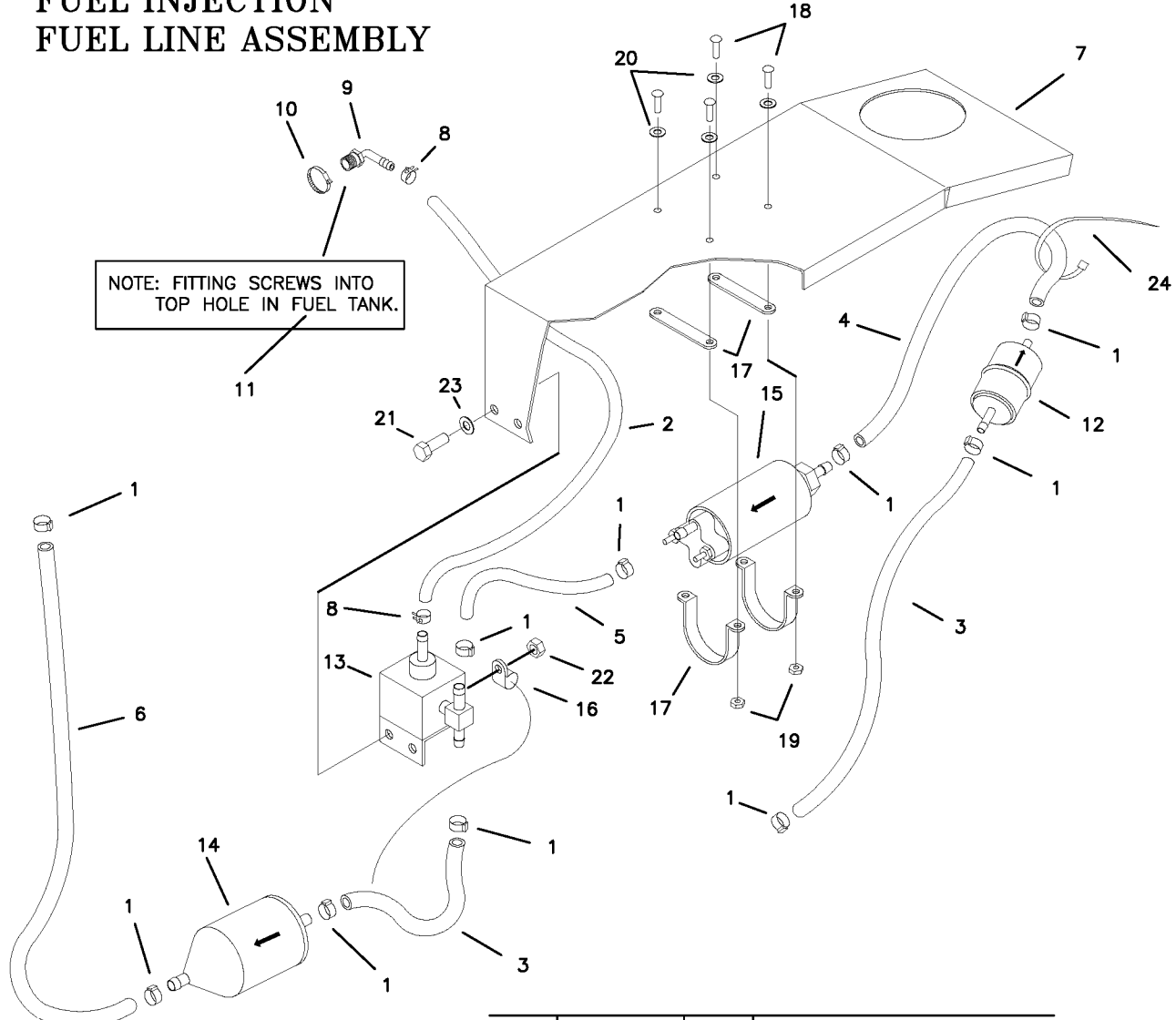
REF NO.	PART NO.	QTY.	DESCRIPTION	REF NO.	PART NO.	QTY.	DESCRIPTION
1	642-133A	1	FENDER CAP RH W/DECAL	16	F-1015-15	21	5/16-18 X 1" GR.5
-	642-140A	-	FDR. CAP RH. 2 LEV. W/DECAL	17	F-1860	8	5/16 U-NUT
-	647-068A	-	FDR. CAP RH. W/EFI DECAL	18	P-12016	1	DECAL, THE BOSS
-	647-067A	-	FDR. CAP RH. 2 LEV. W/EFI DECAL	19	P-12034	1	DECAL, "1/4 CUT HEIGHT"
2	642-170A	1	FENDER CAP LH. W/DECAL	20	P-10939	1	DECAL, "CAUTION"
-	642-171A	-	FDR. CAP LH. 2 LEV. W/DECAL	21	P-11370	1	DECAL, "WARNING"
3	642-134A	1	FENDER SKIRT RH W/DECAL	22	P-11369	1	DECAL, RH. FENDER CAP
4	642-135A	1	FENDER SKIRT LH W/DECAL	23	P-11382	1	DECAL, PARK BRAKE
5	647-116A	1	FRONT PANEL ASS'Y. W/DECAL	24	F-1019-02	15	5/16 LOCK WASHER
-	647-117A	1	FRONT PANEL ASS'Y.	25	P-11112	2	DECAL, "COUNTRY CLIPPER"
6	647-095P	1	LATCH PLATE LH.	26	647-114P	1	TRIM, TOOL TRAY
7	647-097A	1	LATCH PLATE, RH, W/DECAL	27	647-115A	1	TOOL TRAY ASSEMBLY
8	642-049P	1	SIDE PANEL RH.	28	F-1158	4	1/4-20 STOVER NUT
9	642-050P	1	SIDE PANEL LH.	29	F-1015-02	4	1/4-20 X 5/8" BOLT
10	644-029P	1	TRIM, FUEL TANK	30	H-1989	2	SHOULDER WASHER
11	644-030P	1	TRIM, OIL TANK	31	P-11052	2	DECAL, OIL
12	F-1009-02	27	5/16 FLAT WASHER	32	647-146P	1	FUSE HOLDER
13	F-1125	16	5/16-18 LOCK NUT	33	F-1009-01	2	1/4" FLAT WASHER
14	F-1807	1	1/2" X 2.4 CLEVIS PIN W/SASH	34	H-2461	2	RUBBER BUMPER
15	F-1879	3	5/16-18 X 1-1/4" GR. 5	35	P-12253	1	DECAL, MADE IN USA

SEAT, FOOTDECK & RELATED PARTS



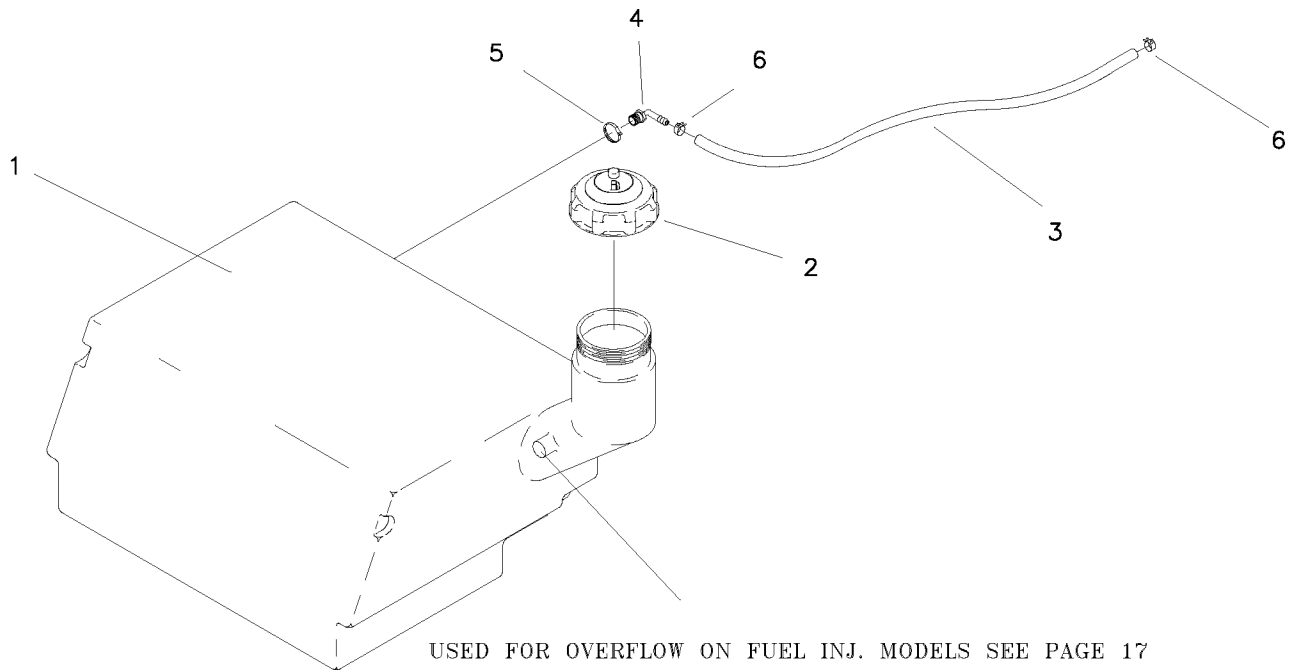
REF NO.	PART NO.	QTY.	DESCRIPTION	REF NO.	PART NO.	QTY.	DESCRIPTION
1	647-087P	1	SEAT BRACKET	12	647-086P	2	SEAT MTG TAB
2	647-088P	1	REAR BRACE	13	F-1009-03	2	3/8 FLAT WASHER
3	647-047P	1	ARM REST RH. (JOYSTICK)	14	F-1011-03	1	3/8-16 PLAIN NUT
-	636-163P	1	ARM REST, (TWIN STICK)	15	F-1005-02	16	5/16-18 LOCK NUT
4	647-049W	1	ARM REST LH. (JOYSTICK)	16	F-1009-02	12	5/16 FLAT WASHER
-	636-163P	1	ARM REST, (TWIN STICK)	17	H-2317	1	TAPERED GRIP BALL
5	620-051P	1	LIFT BAR	18	F-1755	4	3/8-16 X 1/2" GR. 5
6	642-044P	1	FOOT DECK	19	F-1019-02	4	5/16 LOCK WASHER
7	621-143A	2	ARM REST PAD	20	F-1019-03	4	3/8 LOCK WASHER
8	F-1005-03	4	3/8-16 STOVER NUT	21	F-1546	4	5/16-18 X 3/4" GR. 5
9	H-2274	1	DELUXE SEAT	22	F-1015-15	8	5/16-18 X 1" GR. 5
-	H-2229	-	STANDARD SEAT	23	H-2460	1	CABLE
10	H-2461	6	RUBBER BUMPER	24	P-12189	2	SR-1205, DECAL
11	F-1015-23	1	3/8-16 X 3/4" GR. 5	25	659-175P	2	SEAT HINGE TAB
				26	F-1547	4	5/16-18 X 3/4" BOLT

FUEL INJECTION FUEL LINE ASSEMBLY



REF NO.	PART NO.	QTY.	DESCRIPTION
1	H-2336	10	HOSE CLAMP
2	647-063P	1	46" FUEL LINE, 1/4" ID
3	647-059P	1	7" FUEL LINE, 5/16" ID
4	647-060P	1	14" FUEL LINE, 5/16" ID
5	647-061P	1	5" FUEL LINE, 5/16" ID
6	647-062P	1	16" FUEL LINE, 5/16" ID
7	-	1	FENDER CAP RH
8	H-1687	2	HOSE CLAMP RH
9	H-1646	1	HOSE BARB
10	H-1952	1	HOSE CLAMP
11	647-058P	1	FUEL TANK FOR EFI
12	H-2335	1	FUEL FILTER
13	H-2339	1	REGULATOR
14	H-2338	1	FILTER, BOSCH
15	H-2340	1	FUEL PUMP
16	H-2337	1	LOOP CLAMP
17	H-2341	2	PUMP MOUNTING BANDS & BARS
18	F-1022-26	4	MACHINE SCREWS, 10-32 X 58"
19	F-1448	4	10-32 LOCK NUT
20	F-1071	4	FLAT WASHER
21	F-1538	2	1/4-20 X 3/4" GR 5
22	F-1158	2	1/4" LOCK NUT
23	F-1009-01	2	1/4" FLAT WASHER
24	E-5884	1	WIRE TIE

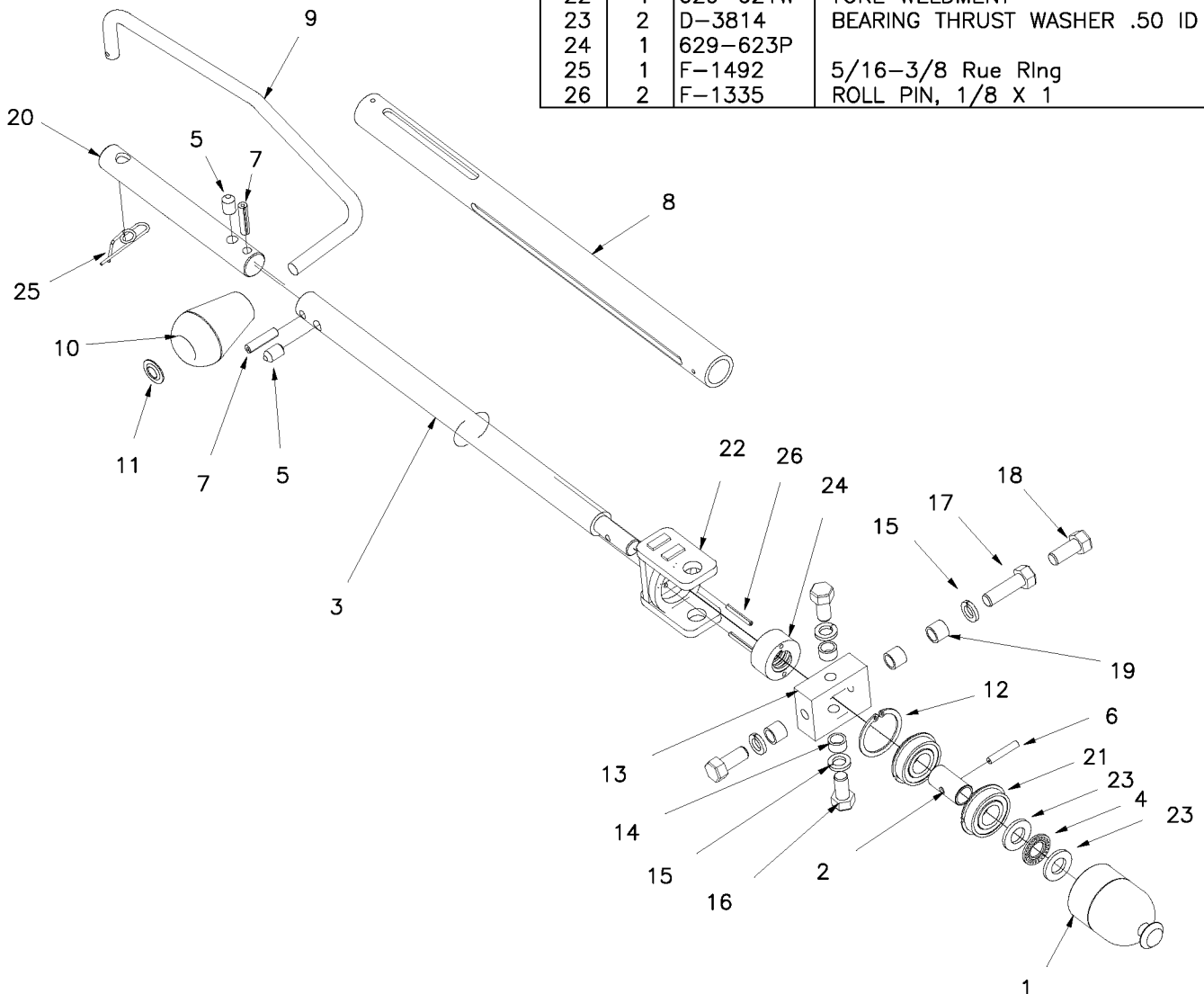
FUEL TANK ASSEMBLY



REF NO.	PART NO.	QTY.	DESCRIPTION
1	H-2234	1	11 GALLON TANK
2	H-2232	1	GAS CAP
3	644-034P	1	29-1/2" FUEL LINE
4	H-1646	1	HOSE BARB, 90 DEG.
5	H-1952	1	HOSE CLAMP
6	H-1687	2	HOSE CLAMP, 1/2"
7	647-063P	1	46" LONG 1/4" ID FUEL LINE

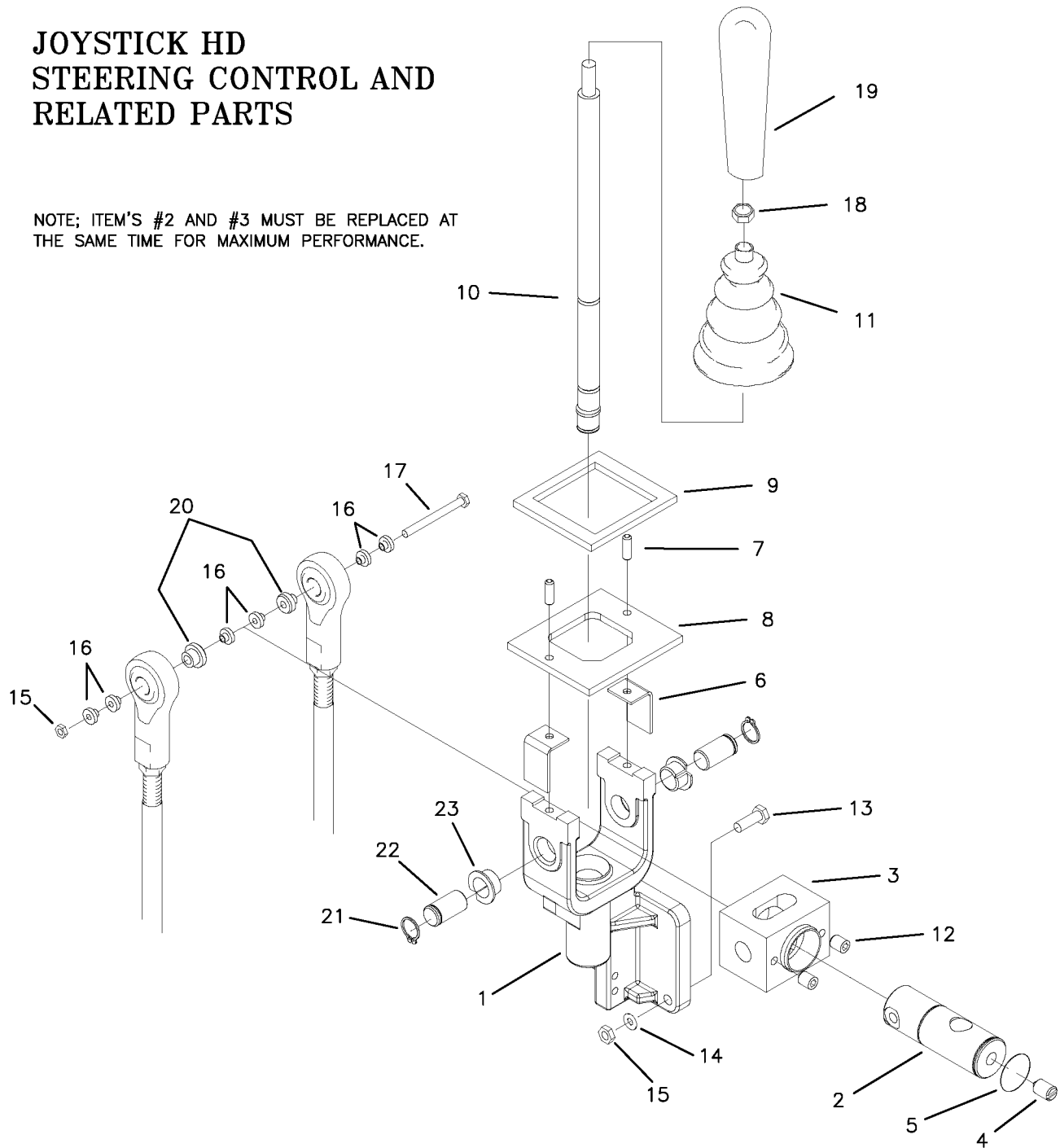
JACK ASSEMBLY

Parts List			
ITEM	QTY	PART NO.	DESCRIPTION
1	1	629-620P	JACK END
2	1	629-527P	THRUST TUBE
3	1	629-528P	SHAFT, JACK
4	1	D-3675	THRUST BEARING 1/2 INCH ID
5	2	F-1120	BALL PLUNGER
6	1	F-1855	ROLL PIN, 3/16 X 1
7	2	F-1831	3/16 x 1" SPIROL PIN
8	1	629-529P	EXTENSION TUBE, JACK
9	1	629-216P	CRANK HANDLE
10	1	H-2343	KNOB
11	1	F-1913	PUSH RETAINER 3/8 INCH
12	1	F-2015	SNAP RING 1 3/8 INTERNAL
13	1	629-531P	JACK BASE PLATE, TIPPED
14	2	629-549P	SPACER
15	4	F-1019-03	3/8" LOCKWASHER
16	2	F-1015-23	3/8-16 x 3/4" CAPSCREW
17	1	F-1307	3/8-16 x 1-1/4" CAPSCREW
18	2	F-1558	3/8-16 x 7/8" CAPSCREW
19	3	629-532P	SPACER
20	1	629-564P	UPPER HANDLE EXTENSION
21	2	D-3432	BEARING 5/8" I.D. 1-3/8" O.D.
22	1	629-621W	YOKE WELDMENT
23	2	D-3814	BEARING THRUST WASHER .50 ID
24	1	629-623P	
25	1	F-1492	5/16-3/8 Rue Ring
26	2	F-1335	ROLL PIN, 1/8 X 1



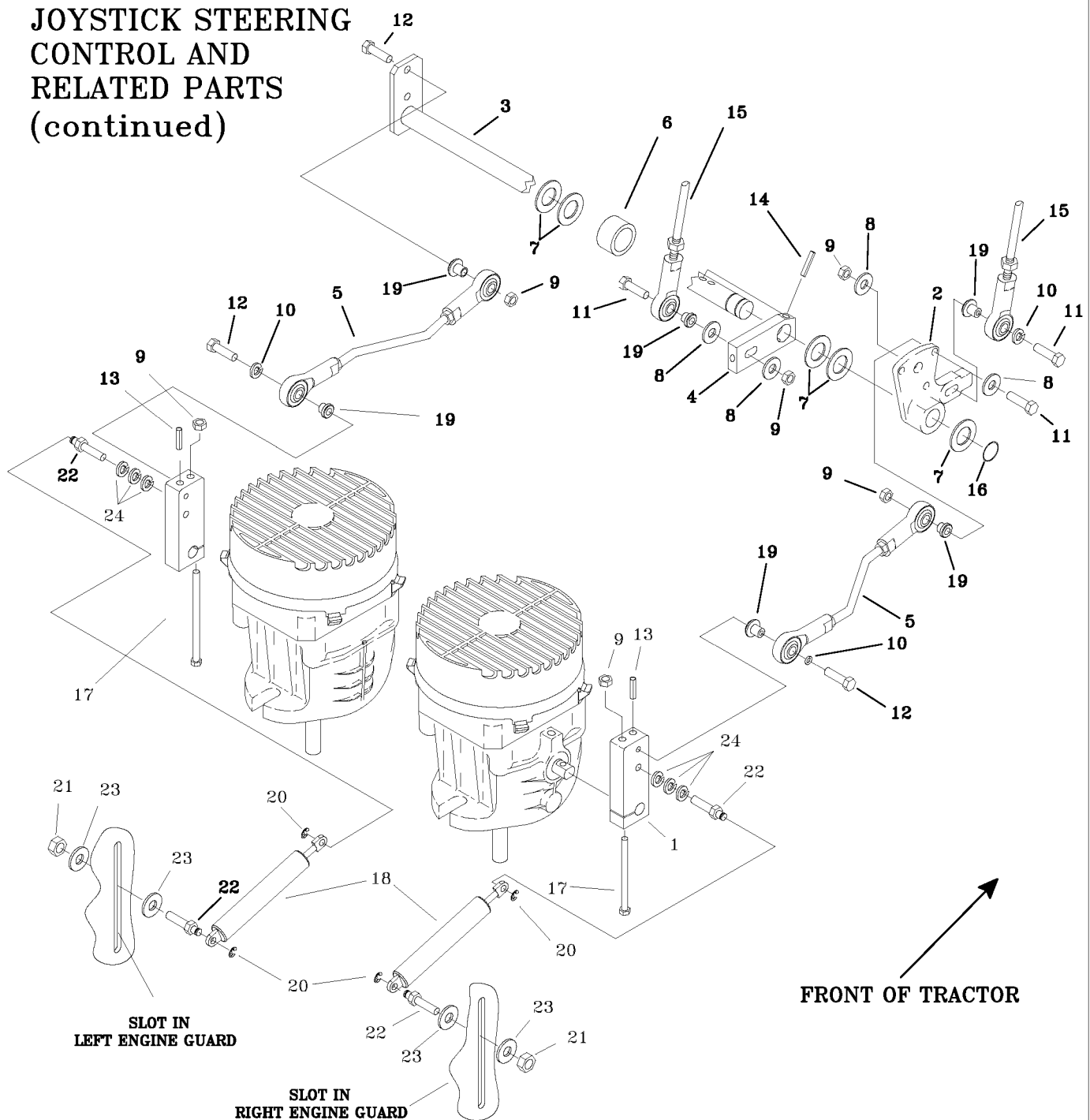
JOYSTICK HD STEERING CONTROL AND RELATED PARTS

NOTE; ITEM'S #2 AND #3 MUST BE REPLACED AT THE SAME TIME FOR MAXIMUM PERFORMANCE.



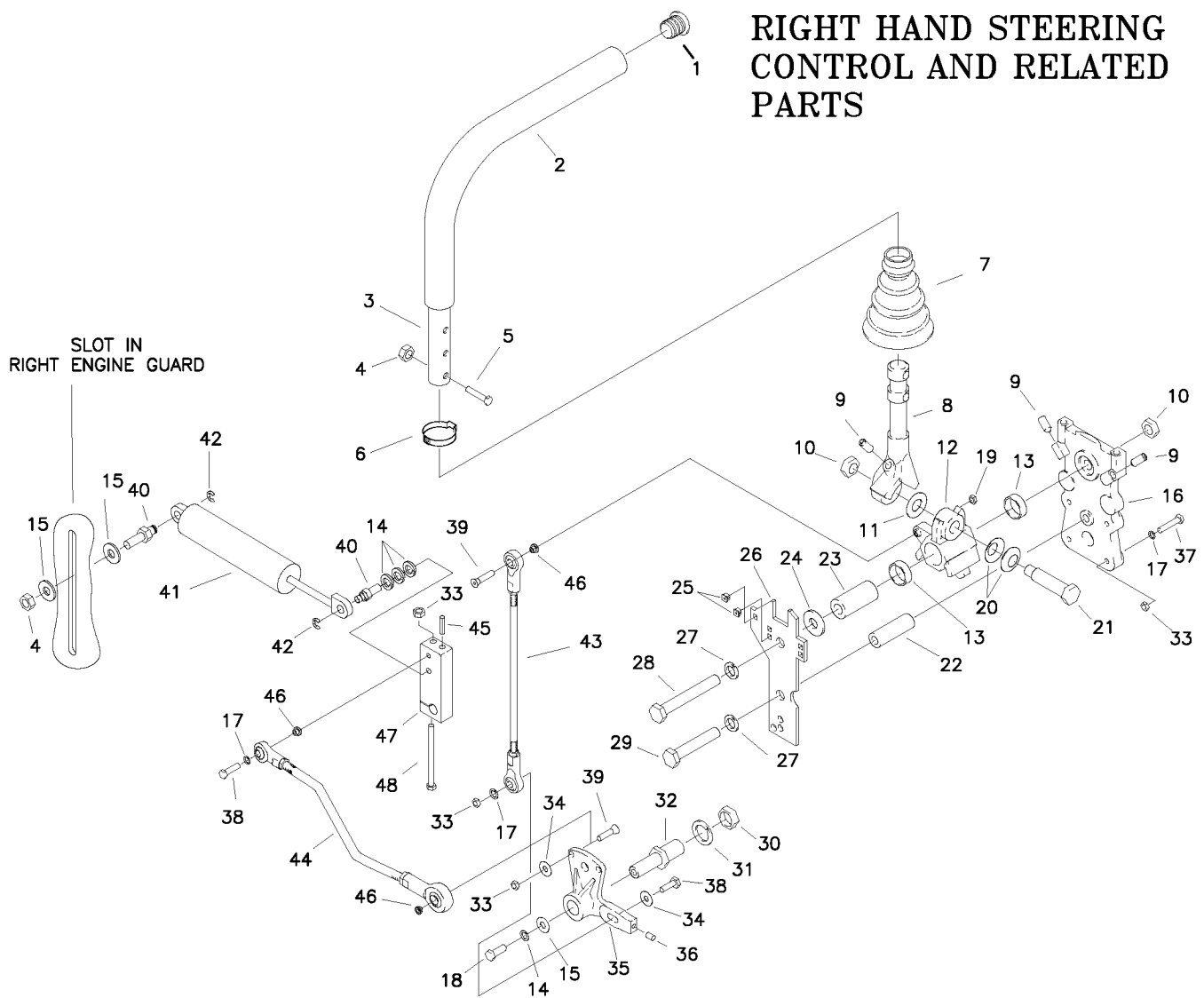
REF NO.	PART NO.	QTY.	DESCRIPTION	REF NO.	PART NO.	QTY.	DESCRIPTION
-	647-110A	1	JOYSTICK ASSEMBLY	12	F-1228	2	1/4-28 SET SCREW
1	647-105P	1	JOYSTICK YOKE	13	F-1015-05	3	1/4-20 X 1" HHCS GR. 5
2	647-104P	1	PIVOT SHAFT	14	F-1019-01	3	1/4" LOCK WASHER
3	647-101P	1	PIVOT BLOCK	15	F-1158	4	1/4-20 LOCK NUT
4	F-1120	1	BALL PLUNGER	16	H-1989	6	BUSHING, BALL JOUNT
5	F-1998	1	SNAP RING, SPIRLOCK	17	F-1020-01	1	1/4-20 X 3-1/2" GR. 5
6	647-106P	2	RETAINING PLATE	18	F-1011-03	1	3/8-16 NUT, JAM
7	F-1999	2	ROLL PIN	19	H-2317	1	HANDLE GRIP, TAPERED
8	659-129P	1	JOYSTICK TOP PLATE	20	H-2465	2	1/4" SPACER
9	H-1947	1	GASKET, FOAM	21	F-1740	2	SNAP RING
10	621-140A	1	JOYSTICK SHAFT ASSEMBLY	22	647-103P	2	PIVOT PIN
11	H-1991	1	BOOT	23	D-3784	2	BUSHING

**JOYSTICK STEERING
CONTROL AND
RELATED PARTS
(continued)**



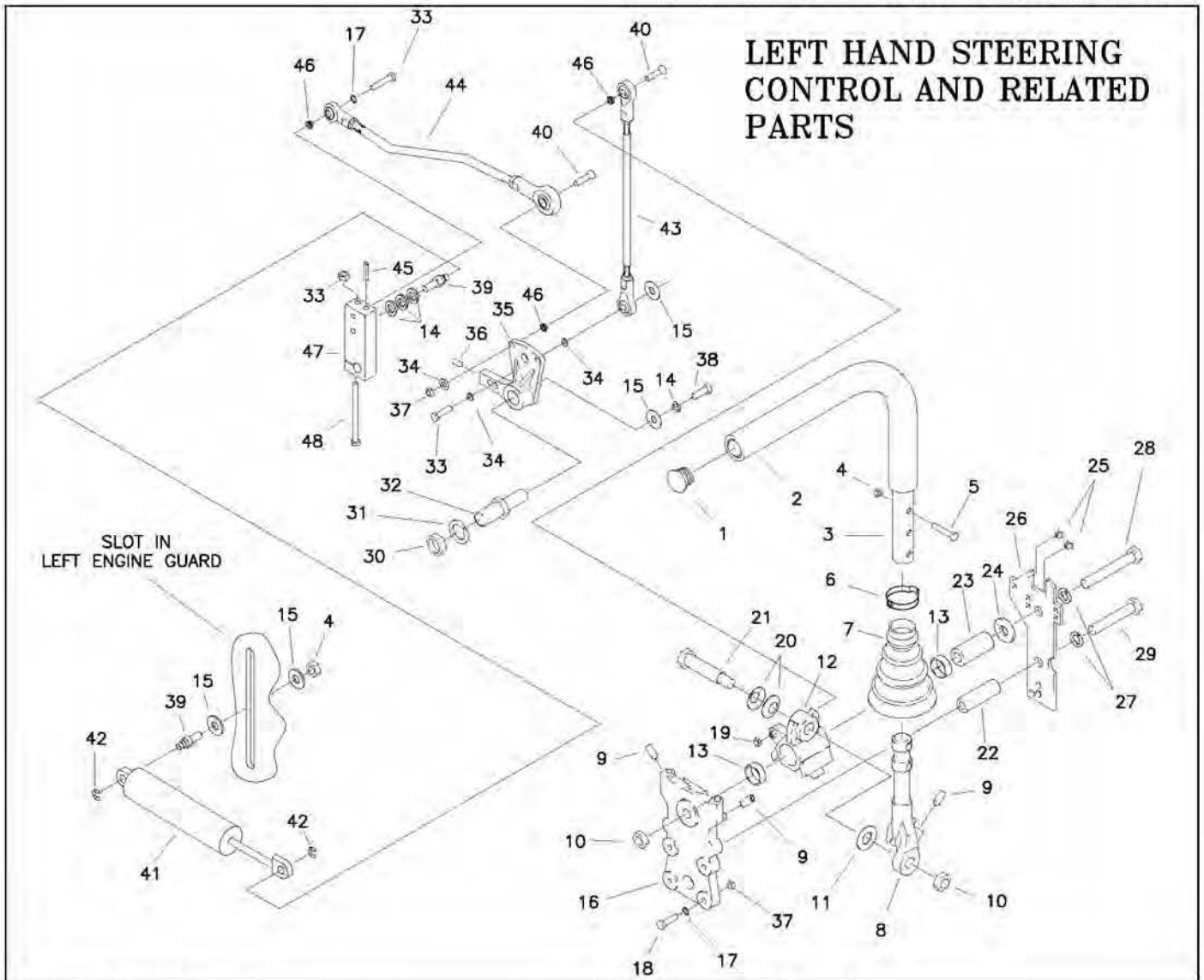
REF NO.	PART NO.	QTY.	DESCRIPTION	REF NO.	PART NO.	QTY.	DESCRIPTION
1	647-189P	2	SHIFT ARM	13	F-1725	2	ROLL PIN, 5MM X 26MM
2	647-027A	1	LINKAGE DISK ASSEMBLY	14	F-1503	2	ROLL PIN, 3/16" X 1"
3	636-078W	1	SHIFT ROD	15	647-082P	2	LOWER LINKAGE
4	625-030P	1	SWIVEL ARM	16	F-1739	1	SPIROL RING
5	647-083P	2	UPPER LINKAGE ROD	17	F-1020-07	2	1/4-20 X 4" BOLT
6	647-197P	1	SPACER	18	H-2467	2	DUAL ACTION DAMPER, LIGHT
7	610-103P	5	THRUST WASHER	19	H-2465	6	1/4 X 5/16 SHOULDER WASHER
8	F-1009-01	4	1/4" FLAT WASHER	20	F-1610	2	E-RING
9	F-1158	6	1/4-20 LOCK NUT	21	F-1125	2	5/16-18 LOCK NUT
10	F-1019-01	2	1/4-20 LOCK WASHER	22	638-028P	4	5/16-18 DAMPER BOLT
11	F-1716	2	1/4-20 X 1-1/2", GR.5	23	F-1009-02	4	5/16 FLAT WASHER
12	F-1015-05	3	1/4-20 X 1" GR. 5	24	F-1019-02	6	5/16 LOCK WASHER

RIGHT HAND STEERING CONTROL AND RELATED PARTS



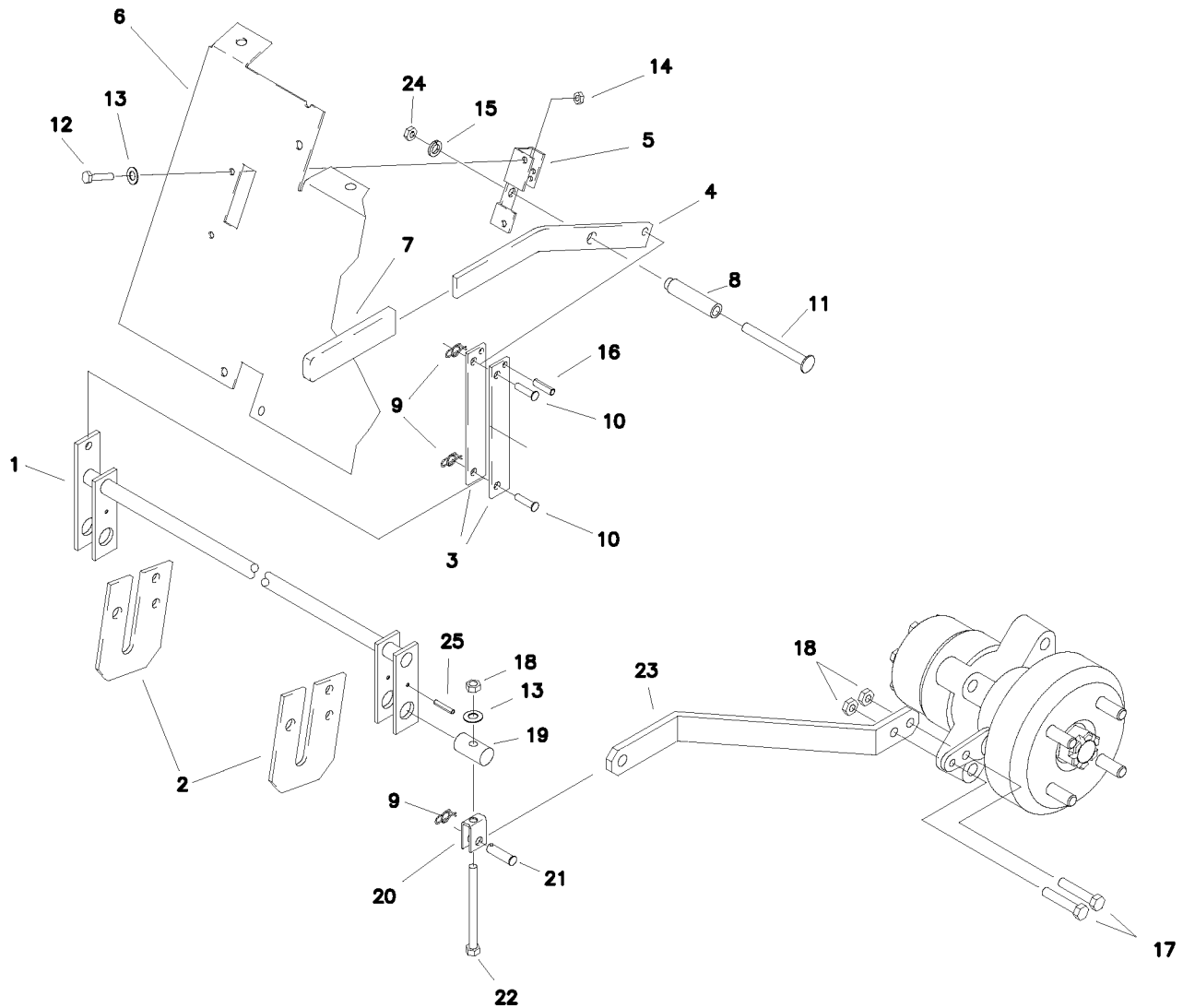
REF NO.	PART NO.	QTY.	DESCRIPTION	REF NO.	PART NO.	QTY.	DESCRIPTION
1	H-2080	1	END PLUG, 15/16" BLACK	-	F-1847	2	GROMMET, #4 X 1/4" SQ.
2	H-2079	1	FOAM GRIP, 17"	26	636-167P	1	SIDE PLATE, DUALEVER
3	642-004A	1	CONTROL LEVER ASSEMBLY	27	F-1464	2	1/2" LOCK WASHER
4	F-1125	2	5/16 LOCK NUT	28	F-1828	1	1/2-13 X 3-1/2" HHCS GR. 5
5	F-1015-17	2	5/16-18 X 1-1/2" HHCS GR. 5	29	F-1439	1	1/2-13 X 3" HHCS GR. 5
6	H-2089	1	HOSE CLAMP, 1-1/4"	30	F-1011-07	1	3/4-10 PLAIN NUT
7	H-2081	1	BOOT, TAPERED 1" CUFF	31	F-1463	1	3/4" LOCK WASHER
8	625-063P	1	LEVER, DUALEVER	32	623-048P	1	LINKAGE PINTLE
9	F-1842	3	SETScrew, 5/16-18 X 3/4"	33	F-1158	4	1/4-20 LOCK NUT
10	F-1489	2	1/2-13 JAM NUT	34	F-1009-01	2	1/4" FLAT WASHER
11	H-2116	1	WASHER, FIBER	35	647-099A	1	LINKAGE DISK ASSEMBLY
12	638-033P	1	PIVOT BLOCK, DUALEVER	36	F-1695	1	SETSCREW, 1/4-20 X 3/8"
13	D-3622	2	BEARING	37	F-1539	3	1/4-20 X 1-1/4" HHCS GR. 5
14	F-1019-02	4	5/16" LOCK WASHER	38	F-1015-05	2	1/4-20 X 1" HHCS GR5
15	F-1009-02	3	WASHER, FLAT STD. 5/16"	39	F-1974	2	1/4-20 X 1-1/4" FLAT HEAD
16	638-034P	1	BASE DUALEVER	40	638-028P	2	5/16 DAMPER BOLT
17	F-1019-01	3	1/4" LOCK WASHER	41	H-2168	1	STEERING DAMPER
18	F-1015-05	1	1/4-20 X 1" HHCS GR. 5	42	F-1610	1	E-RING FOR 1/4" SHAFT
19	F-1748	1	1/4-20 THIN NYLOC NUT	43	647-082P	1	UPPER LINKAGE
20	H-2115	2	WASHER, SPRING	44	647-083P	1	LOWER LINKAGE
21	625-070P	1	SHOULDER BOLT, 5/8" OD	45	F-1725	1	ROLL PIN, 5MM X 26MM
22	625-067P	1	BUSHING, STAND OFF	46	H-2465	3	1/4 X 5/16 SHOULDER WASHER
23	625-064P	1	BUSHING, PIVOT BLOCK	47	647-189P	1	SHIFT ARM
24	625-072P	1	WASHER, FLAT	48	F-1020-07	1	1/4-20 X 4" BOLT
25	F-1995	2	GROMMET, #10, SR-1200				

LEFT HAND STEERING CONTROL AND RELATED PARTS



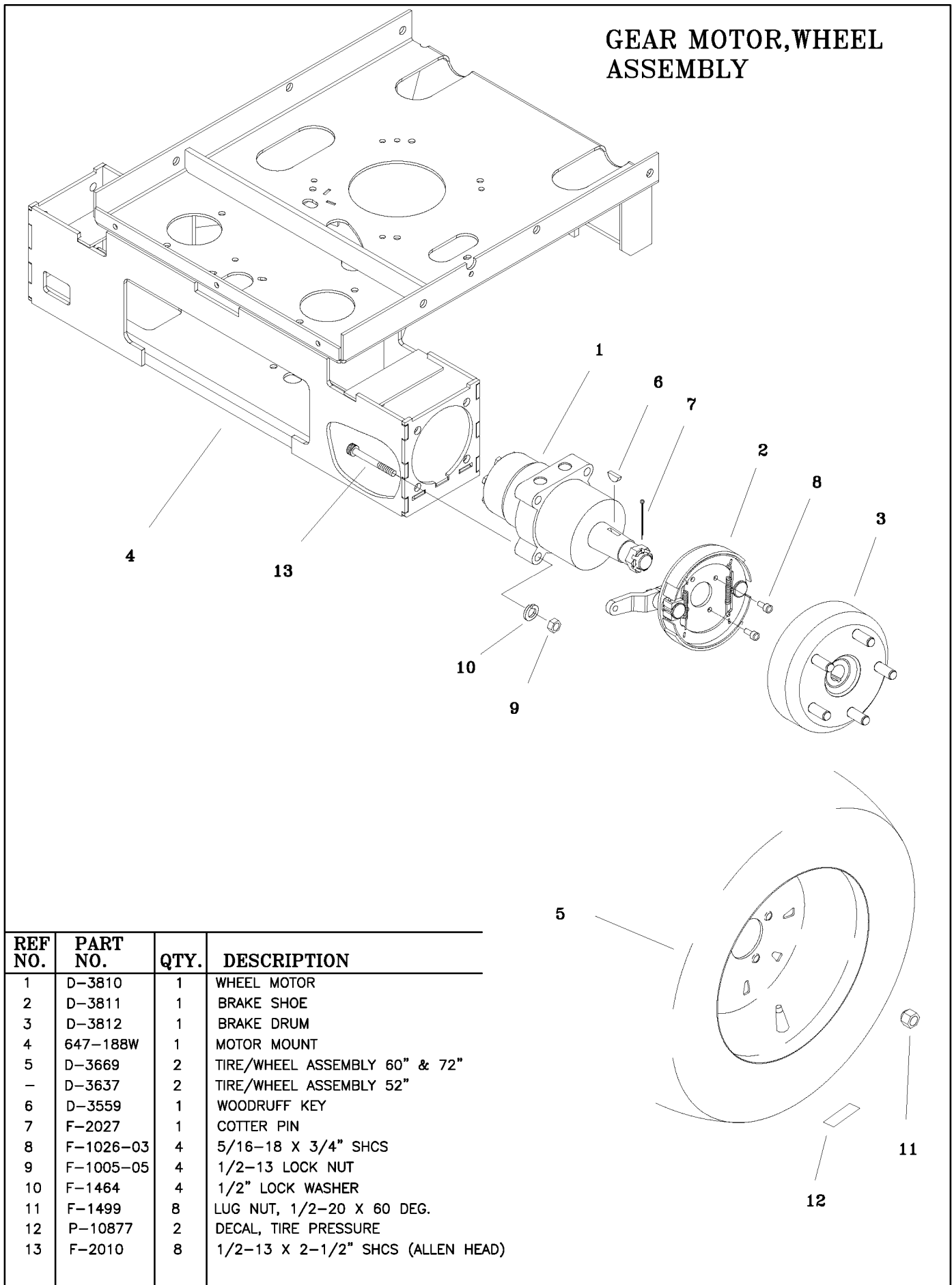
REF NO.	PART NO.	QTY.	DESCRIPTION	REF NO.	PART NO.	QTY.	DESCRIPTION
1	H-2080	1	END PLUG, 15/16" BLACK	25	F-1995	2	GROMMET, #10, SR-1200
2	H-2079	1	FOAM GRIP, 17"	-	F-1847	2	GROMMET, #4 X 1/4" SQ.
3	642-004A	1	CONTROL LEVER ASSEMBLY	26	636-167P	1	SIDE PLATE, DUALEVER
4	F-1125	3	5/16 LOCK NUT	27	F-1464	2	1/2" LOCK WASHER
5	F-1015-17	2	5/16-18 X 1-1/2" HHCS GR. 5	28	F-1828	1	1/2-13 X 3-1/2" HHCS GR. 5
6	H-2089	1	HOSE CLAMP 1-1/4"	29	F-1439	1	1/2-13 X 3" HHCS GR. 5
7	H-2081	1	BOOT, TAPERED 1" CUFF	30	F-1011-07	1	3/4-10 PLAIN NUT
8	625-063P	1	LEVER, DUALEVER	31	F-1463	1	3/4" LOCK WASHER
9	F-1842	3	SETSCREW, 5/16-18 X 3/4"	32	623-048P	1	LINKAGE PINTLE
10	F-1489	2	1/2-13 JAM NUT	33	F-1716	1	1/4-20 X 1-1/2" HHCS GR. 5
11	H-2116	1	WASHER, FIBER	34	F-1009-01	4	1/4" FLAT WASHER
12	638-033P	1	PIVOT BLOCK, DUALEVER	35	647-099A	1	LINKAGE DISK ASSEMBLY
13	D-3622	2	BEARING	36	F-1695	1	SETCREW, 1/4-20 X 3/8"
14	F-1019-02	4	5/16" LOCK WASHER	37	F-1158	4	1/4-20 LOCK NUT
15	F-1009-02	3	WASHER, FLAT STD. 5/16"	38	F-1015-14	1	5/16-18 X 7/8" HHCS GR. 5
16	638-034P	1	BASE DUALEVER	39	638-028P	1	DAMPER BOLT, 5-16-18 X 3/4"
17	F-1019-01	4	1/4" LOCK WASHER	40	F-1974	2	1/4-20 X 1-1/4" SOCK BOLT
18	F-1559	3	1/4-20 X 1-1/4" HHCS GR. 5	41	H-2168	1	STEERING DAMPER
19	F-1748	1	1/4-20 THIN NYLOC NUT	42	F-1610	2	E-RING FOR 1/4" SHAFT
20	H-2115	2	WASHER, SPRING	43	647-082P	1	UPPER LINKAGE
21	625-070P	1	SHOULDER BOLT, 5/8" OD	44	647-083P	1	LOWER LINKAGE
22	625-067P	1	BUSHING, STAND OFF	45	F-1725	1	ROLL PIN 5MM X 26MM
23	625-064P	1	BUSHING, PIVOT BLOCK	46	H-2465	3	1/4" SHOULDER WASHER
24	625-072P	1	WASHER, FLAT	47	647-189P	1	SHIFT ARM
				48	F-1020-07	1	1/4-20 X 4" BOLT

PARKING BRAKE ASSEMBLY & RELATED PARTS



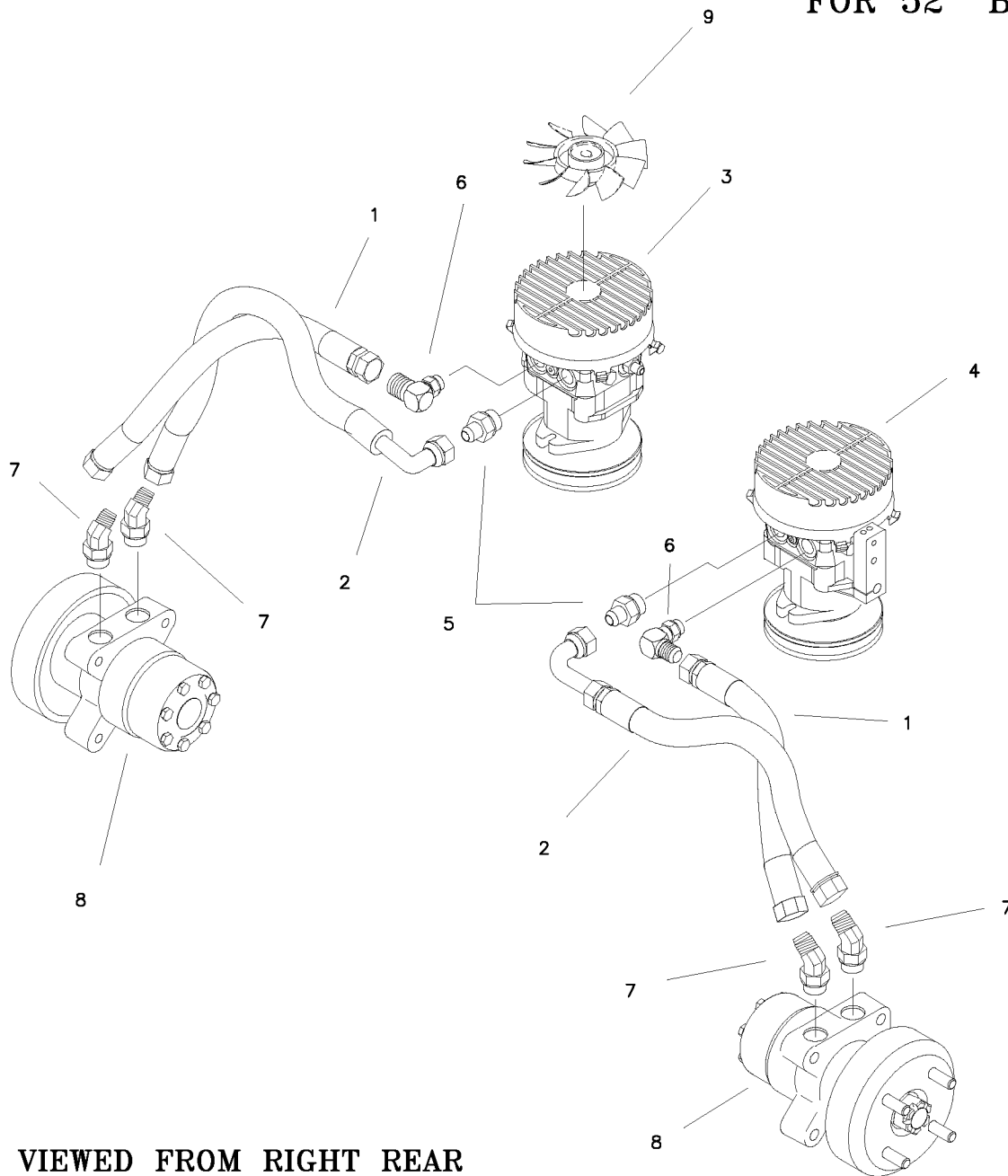
REF NO.	PART NO.	QTY.	DESCRIPTION	REF NO.	PART NO.	QTY.	DESCRIPTION
1	647-014W	1	BRAKE ROD WELDMENT	17	F-1015-15	4	5/16-18 X 1" BOLT
2	642-042P	2	BRAKE ROD MOUNT	18	F-1125	6	5/16-18 LOCK NUT
3	642-058P	2	BRAKE LINK	19	642-067P	2	TOP HANGER PIN
4	642-056P	1	BRAKE HANDLE	20	647-030P	2	BRAKE YOKE LINKAGE
5	642-054P	1	BRAKE SWITCH BRACKET	21	F-1444	2	CLEVIS PIN 3/8 X 1-5/16"
6	642-057P	1	FRONT PANEL	22	F-1153	2	5/16-18 X 4.5" GR. 5
7	H-1926	1	HANDLE GRIP	23	647-145P	2	BRAKE ARM
8	642-027P	1	BRAKE PIVOT TUBE	-	647-157P	2	BRAKE ARM, FOR 52" MODEL
9	F-1492	3	RUE RING	24	F-1005-03	1	3/8-16 LOCK NUT
10	F-1443	2	5/16" PIN	25	F-1604	2	ROLL PIN
11	F-1982	1	3/8-16 X 3-1/2" CARRIAGE				
12	F-1538	2	1/4-20 X 3/4" GR. 5				
13	F-1009-01	4	1/4" FLAT WASHER				
14	F-1005-01	2	1/4-20 LOCK NUT				
15	F-1019-03	1	3/8" LOCK WASHER				
16	F-1831	2	1/4 X 1" ROLL PIN				

GEAR MOTOR, WHEEL ASSEMBLY



REF NO.	PART NO.	QTY.	DESCRIPTION
1	D-3810	1	WHEEL MOTOR
2	D-3811	1	BRAKE SHOE
3	D-3812	1	BRAKE DRUM
4	647-188W	1	MOTOR MOUNT
5	D-3669	2	TIRE/WHEEL ASSEMBLY 60" & 72"
-	D-3637	2	TIRE/WHEEL ASSEMBLY 52"
6	D-3559	1	WOODRUFF KEY
7	F-2027	1	COTTER PIN
8	F-1026-03	4	5/16-18 X 3/4" SHCS
9	F-1005-05	4	1/2-13 LOCK NUT
10	F-1464	4	1/2" LOCK WASHER
11	F-1499	8	LUG NUT, 1/2-20 X 60 DEG.
12	P-10877	2	DECAL, TIRE PRESSURE
13	F-2010	8	1/2-13 X 2-1/2" SHCS (ALLEN HEAD)

**HIGH PRESSURE
LINES & FITTINGS
FOR 52" BOSS**

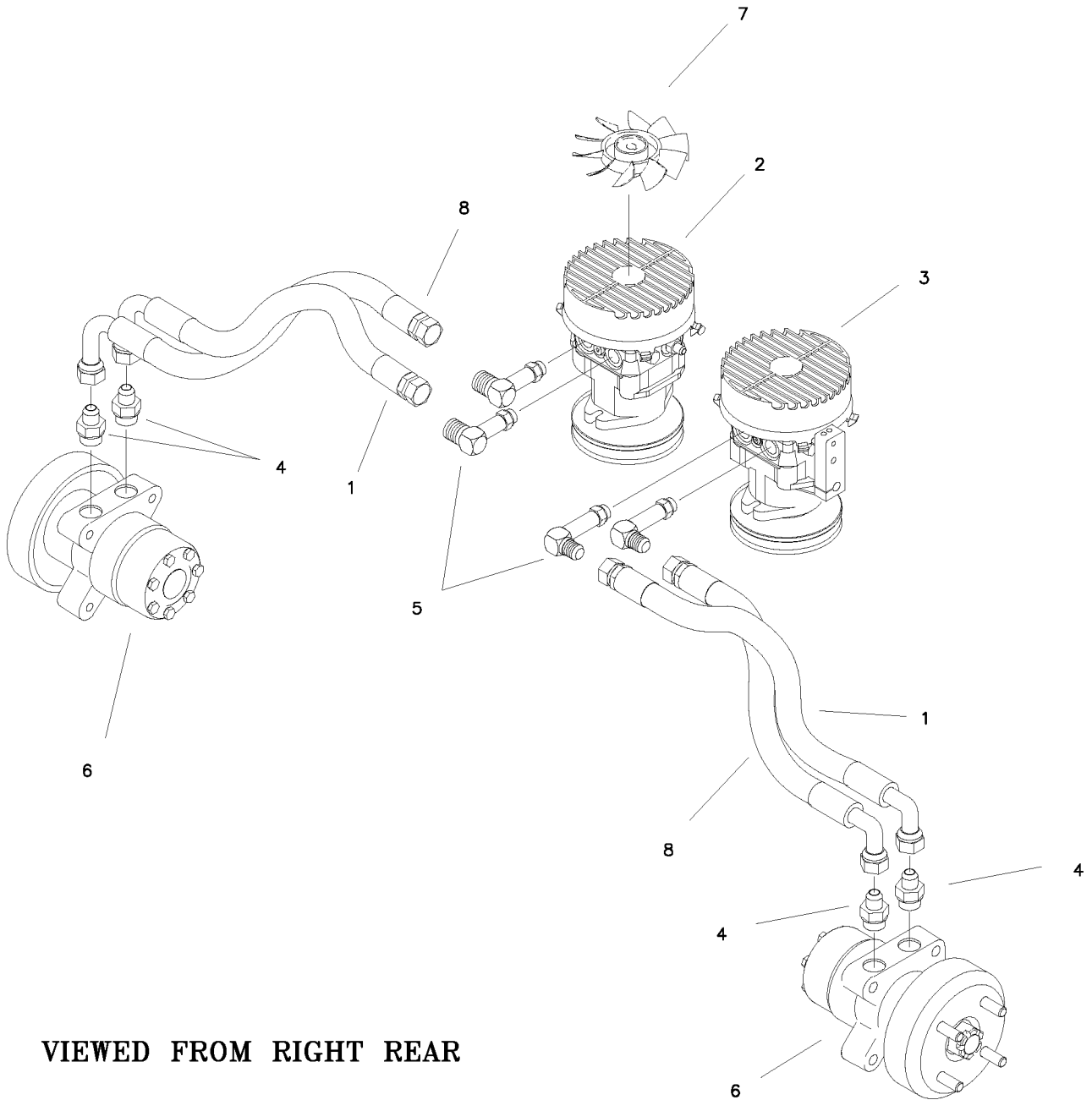


VIEWED FROM RIGHT REAR

REF NO.	PART NO.	QTY.	DESCRIPTION
1	H-2571	2	HOSE ASS'Y. 10" LONG
2	H-2492	2	HOSE ASS'Y. 16-1/2" LONG
3	D-3780-01	1	HYDRO PUMP, 12CC LH
4	D-3780-02	1	HYDRO PUMP, 12CC RH
5	H-2436	2	FITTING, STRAIGHT
6	H-2495	2	FITTING, 90°
7	H-2572	4	FITTING, 45°
8	----	-	SEE PAGE 25
9	D-3804	2	REPLACEMENT FAN BLADE

H-2570 PLUMBING KIT

**HIGH PRESSURE
LINES & FITTINGS
FOR 60 & 72" BOSS**

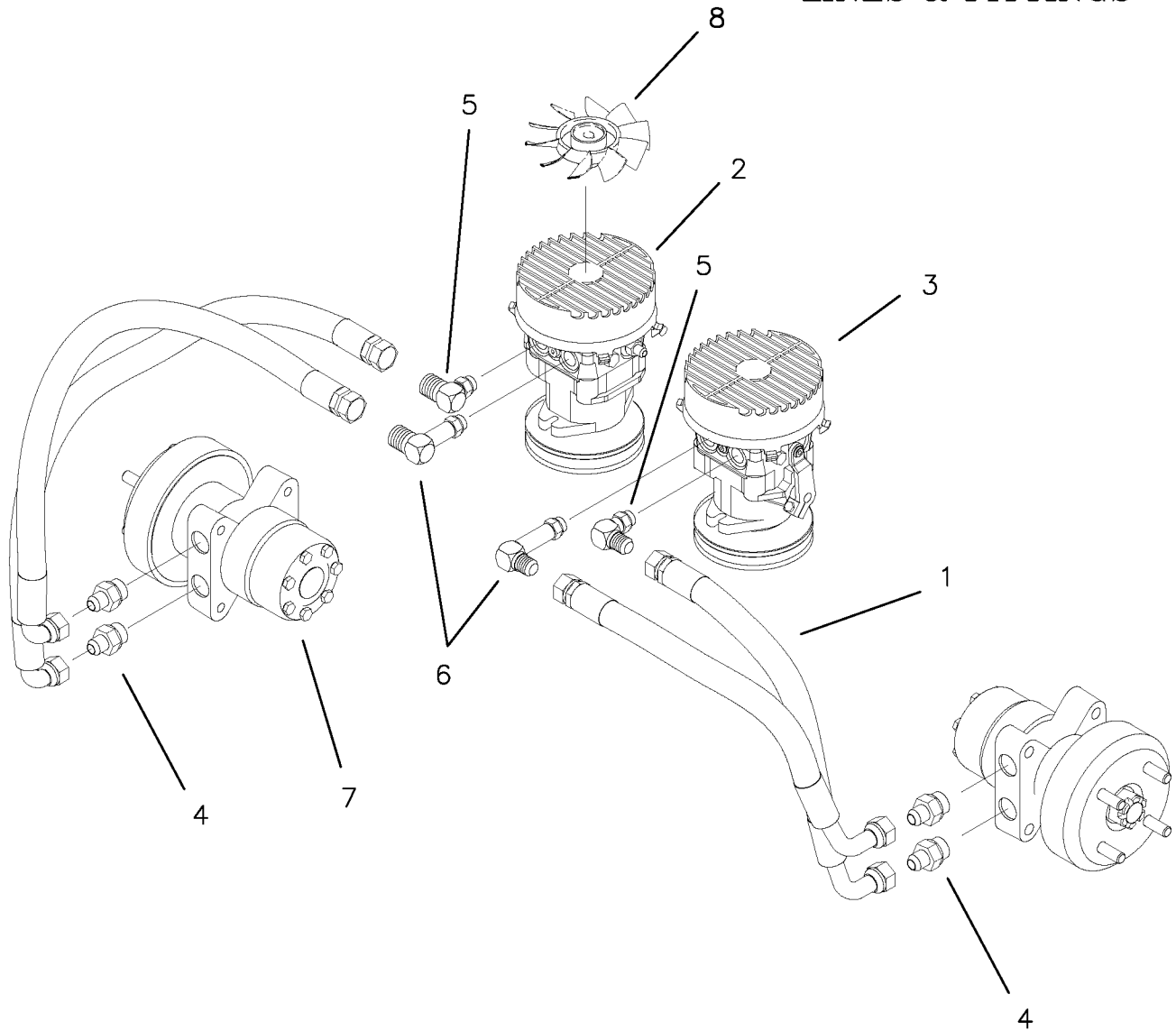


VIEWED FROM RIGHT REAR

REF NO.	PART NO.	QTY.	DESCRIPTION
1	H-2492	2	HOSE ASS'Y. 16-1/2"
2	D-3780-01	1	HYDRO PUMP, 12CC LH
3	D-3780-02	1	HYDRO PUMP, 12CC RH
4	H-2436	4	FITTING, STRAIGHT
5	H-2496	4	FITTING, 90°
6	-	2	SEE PAGE 25
7	D-3804	2	REPLACEMENT FAN BLADE
8	H-2576	2	HOSE ASS'Y. 11"

H-2574 PLUMBING KIT

HIGH PRESSURE LINES & FITTINGS

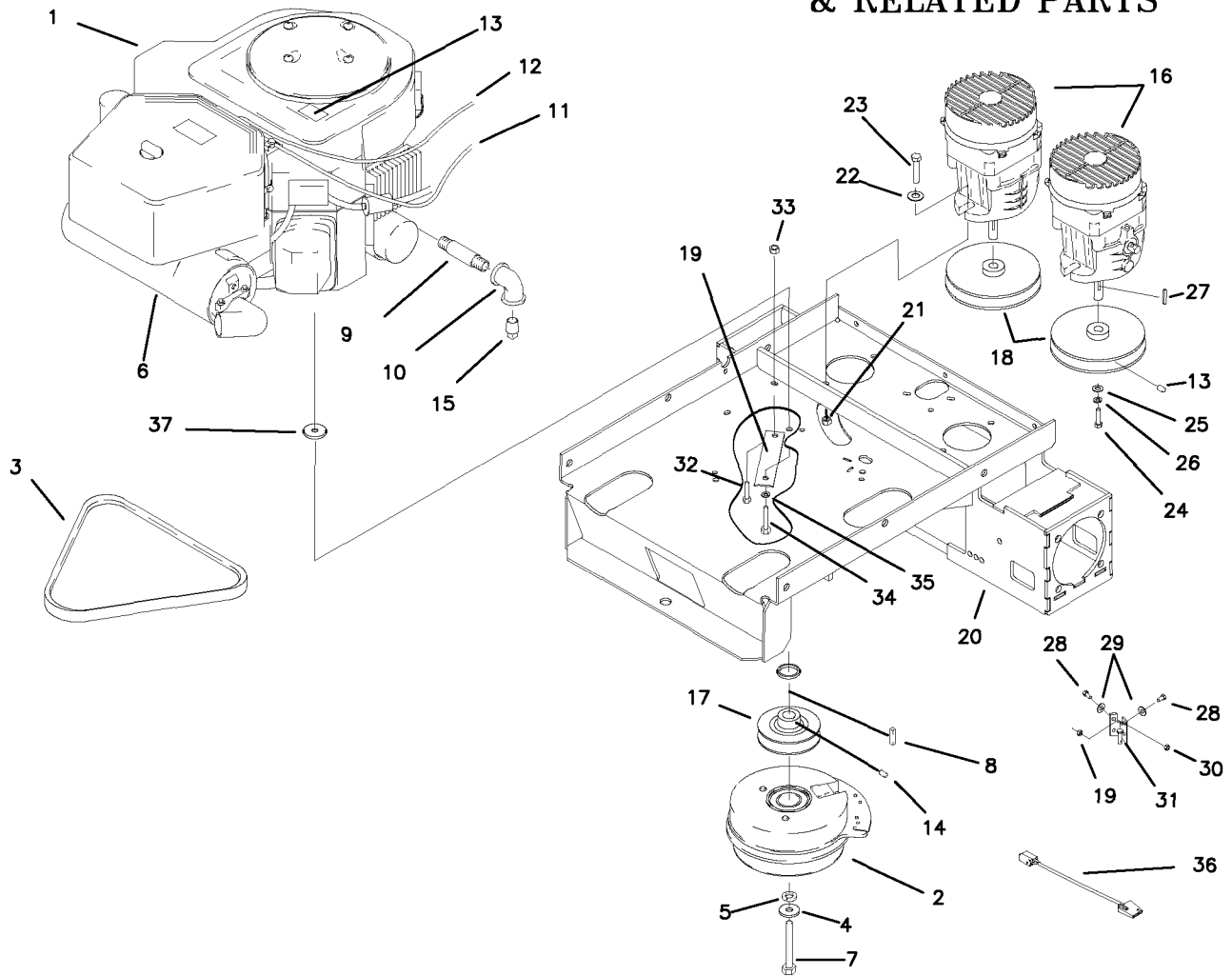


VIEWED FROM RIGHT REAR

REF NO.	PART NO.	QTY.	DESCRIPTION
1	H-2492	4	HOSE ASS'Y.
2	D-3780-01	1	HYDRO PUMP, 12CC LH
3	D-3780-02	1	HYDRO PUMP, 12CC RH
4	H-2436	4	FITTING, STRAIGHT
5	H-2495	2	FITTING, 90°
6	H-2496	2	FITTING, 90°
7	----	-	SEE PAGE 25
8	D-3804	2	REPLACEMENT FAN BLADE

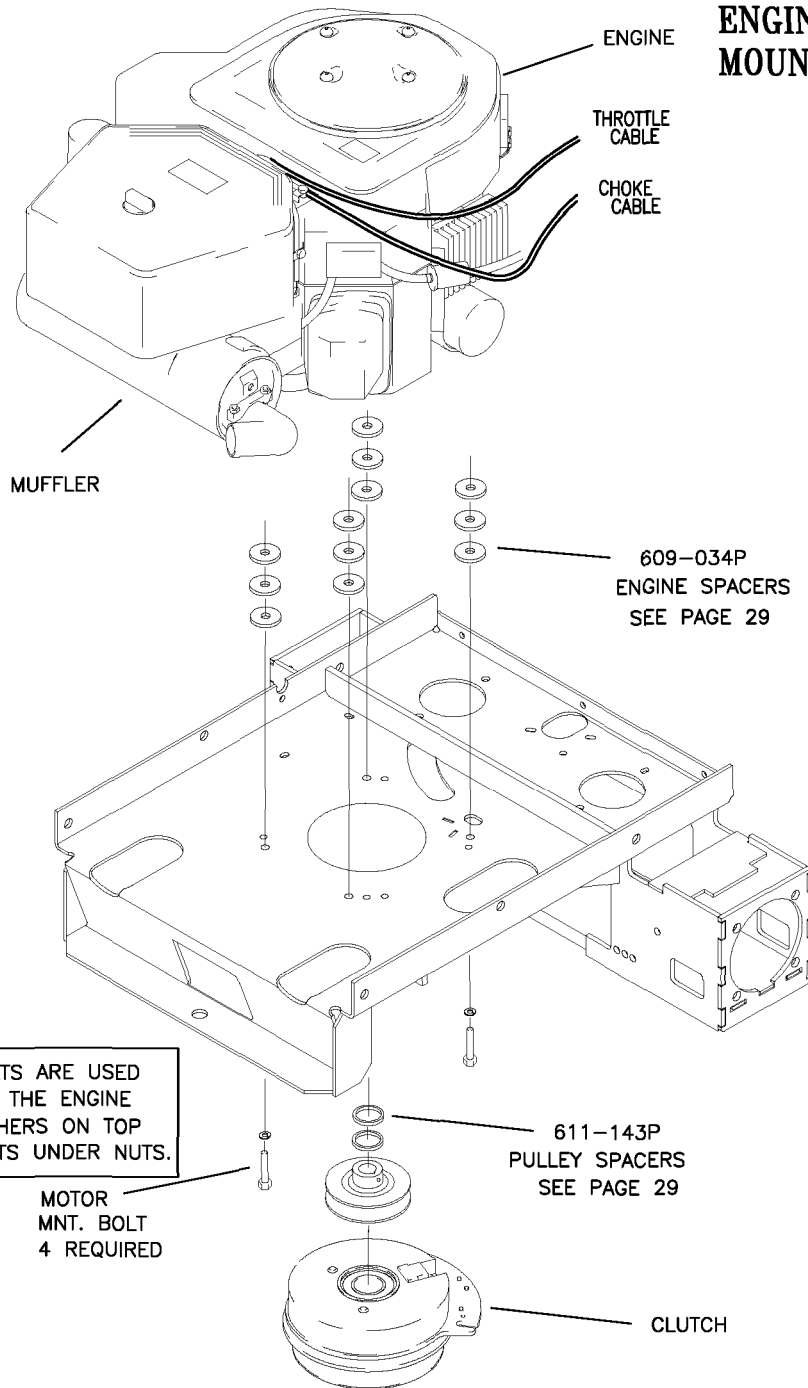
H-2559 PLUMBING KIT

MOTOR ASSEMBLY & RELATED PARTS



REF NO.	PART NO.	QTY.	DESCRIPTION	REF NO.	PART NO.	QTY.	DESCRIPTION
1	ENGINE	1	SEE PAGE 30	18	647-147P	2	HYDRO PUMP PULLEY
2	CLUTCH	1	SEE PAGE 30	19	647-085P	1	GROUND STRAP
3	D-3799	1	HYDRO PUMP BELT	20	647-188W	1	MOTOR MOUNT
4	606-347P	1	WASHER	21	F-1005-03	8	NUT, 3/8-16 STOVER
5	F-1019-04	1	7/16 LOCK WASHER	22	F-1009-03	4	3/8 FLAT WASHER
6	MUFFLER	1	SEE PAGE 30	23	F-1307	4	3/8-16 X 1-1/4" GR. 5
7	BOLT	1	SEE PAGE 30	24	F-1737	2	6MM X 16MM GR. 5
8	621-113P	1	KEY, 1/4 SQ. X 1-1/4"	25	F-1738	2	6MM WASHER
9	H-1082	1	3/8 X 2" PIPE NIPPLE	26	F-1736	2	LOCK WASHER
-	H-1089	1	3/8 X 2-1/2" PIPE NIPPLE	27	D-3541	2	KEY, 5MM.
-	H-1451	1	3/8 X 3" PIPE NIPPLE	28	F-1015-02	2	1/4-20 X 5/8" BOLT GR. 5
10	H-1218	1	3/8" PIPE ELBOW	29	F-1009-01	2	1/4" FLAT WASHER
11	SEE PG. 30	1	CHOKE CABLE	30	F-1158	2	1/4-20 STOVER NUT
12	SEE PG. 30	1	THROTTLE CABLE	31	659-015W	1	CLUTCH STOP WELDMENT
13	P-10077	1	DECAL, "CLEAN"	32	F-1015-15	1	5/16-18 X 1" BOLT
14	F-1228	3	SETSCREW, 1/4" X 1/4"	33	F-1125	-	5/16-18 STOVER NUT
15	H-1380	1	PLUG, 3/8" NPT	34	BOLT	-	SEE PAGE 30
16	HYD PUMP	2	SEE PAGE 28	35	F-1019-03	-	3/8 LOCK WASHER
17	647-148P	1	MOTOR PULLEY	36	E-6425	1	WIRE, FOR E-6425 CLUTCH
				37	609-034P	-	HEAVY 3/8" WASHER

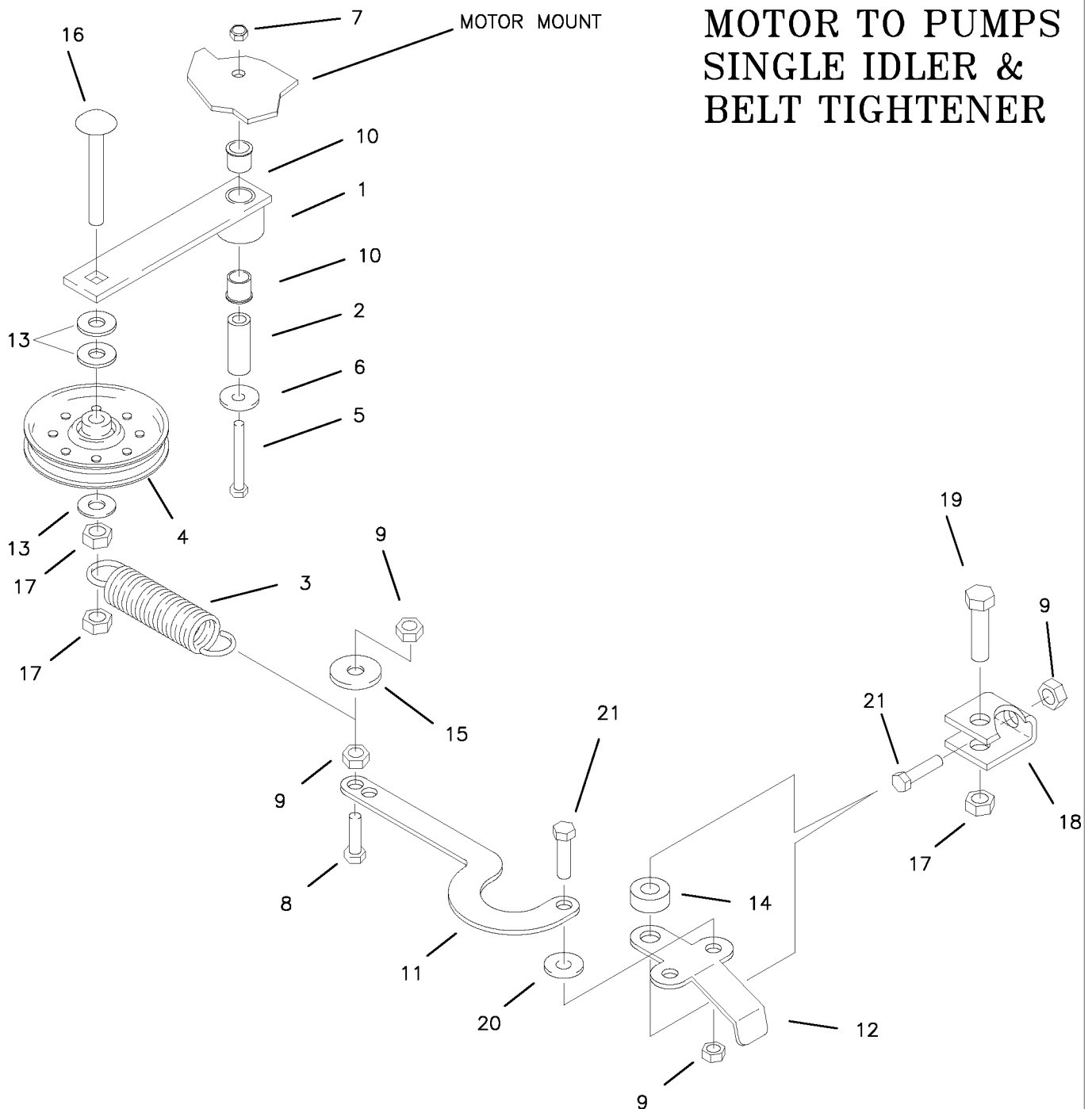
ENGINE & CLUTCH MOUNTING HARDWARE



WHERE THRU BOLTS ARE USED ON THE BASE OF THE ENGINE PLACE LOCK WASHERS ON TOP OF ENGINE MOUNTS UNDER NUTS.

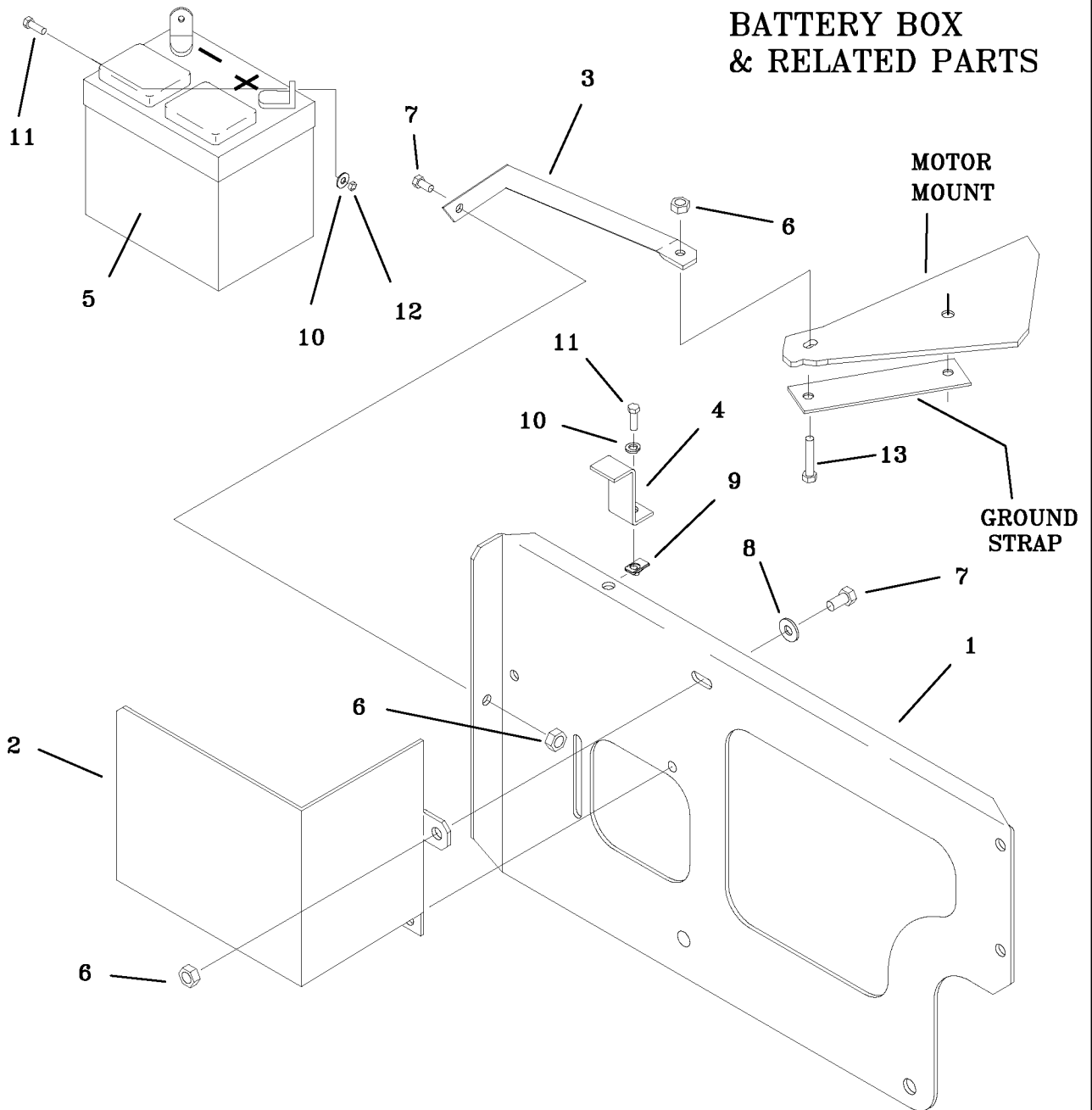
PART NO.	ENGINE	CLUTCH	MUFFLER	ENGINE SPACERS	PULLEY SPACERS	MOTOR MOUNT BOLTS	CLUTCH BOLT	THROTTLE CABLE	CHOKE CABLE
M-5327	25 HP KAWASAKI	E-6444	H-2284	3	4	F-1015-28 3/8-16 X 1-3/4" G5 BOLTS	F-1904	H-2573	H-2287
M-5348	26 HP KAW. LQ.	E-6444	H-2474	0	0	F-1979 8MM X 1-1/4" BOLTS	F-1981	H-2573	H-2287
M-5335	27 HP KOHLER	E-6444	-	0	0	F-1015-17 5/16 X 1-1/2" G5 BOLT	F-1545	H-2573	H-2287
M-5365	28 HP KOH. EFI	E-6444	-	0	0	F-1015-17 5/16 X 1-1/2" G5 BOLT	F-1545	H-2573	H-2287
M-5364	31 HP KAWASAKI	E-6444	H-2578	4	5	F-1015-28 3/8-16 X 1-3/4" G5 BOLTS	F-1904	H-2573	H-2287
M-5360	37 HP KAWASAKI	E-6425	H-2544	0	0	F-1307 3/8-16 X 1-1/4" G5 BOLTS	F-1904	H-2565	H-2404

MOTOR TO PUMPS SINGLE IDLER & BELT TIGHTENER



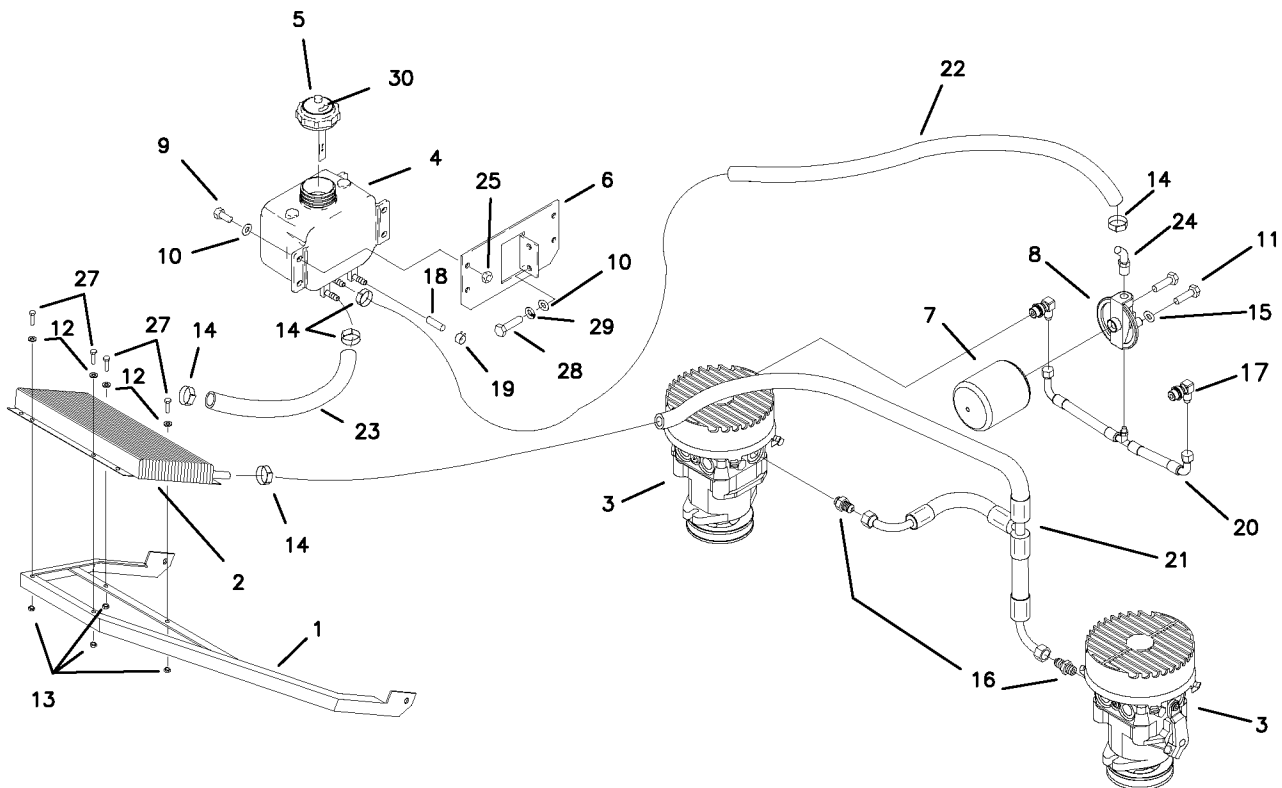
REF NO.	PART NO.	QTY.	DESCRIPTION	REF NO.	PART NO.	QTY.	DESCRIPTION
1	661-090A	1	SINGLE IDLER ASSEMBLY	12	660-030P	1	HANDLE, BELT TIGHTENER
-	661-060W	1	SINGLE IDLER WELDMENT	13	F-1521	3	1/2" FLAT WASHER
2	621-103P	1	MOUNTING PIN	14	660-038P	1	3/8" THICK SPACER
3	H-2092	1	SPRING	15	609-034P	1	HEAVY WASHER
4	D-3338	1	FLAT IDLER PULLEY	16	F-1822	1	1/2-13 X 2-1/4" CARRIAGE BOLT
5	F-1820	1	5/16-18 X 2-1/4" HHCS GR. 5	17	F-1005-05	3	1/2" LOCK NUT
6	F-1009-02	1	5/16" FLAT WASHER	18	661-015P	1	SHACKLE
7	F-1125	1	5/16" LOCK NUT	19	F-1526	1	1/2-13 X 1-1/2" BOLT
8	F-1307	1	3/8-16 X 1-1/4" HHCS GR. 5	20	F-1009-03	1	3/8" FLAT WASHER
9	F-1005-03	4	3/8-16 LOCK NUT	21	F-1694	2	3/8-16 X 1" HHCS GR. 5
10	D-3730	2	5/8 BORE BUSHING				
11	660-031P	1	ARM, BELT TIGHTENER				

BATTERY BOX & RELATED PARTS



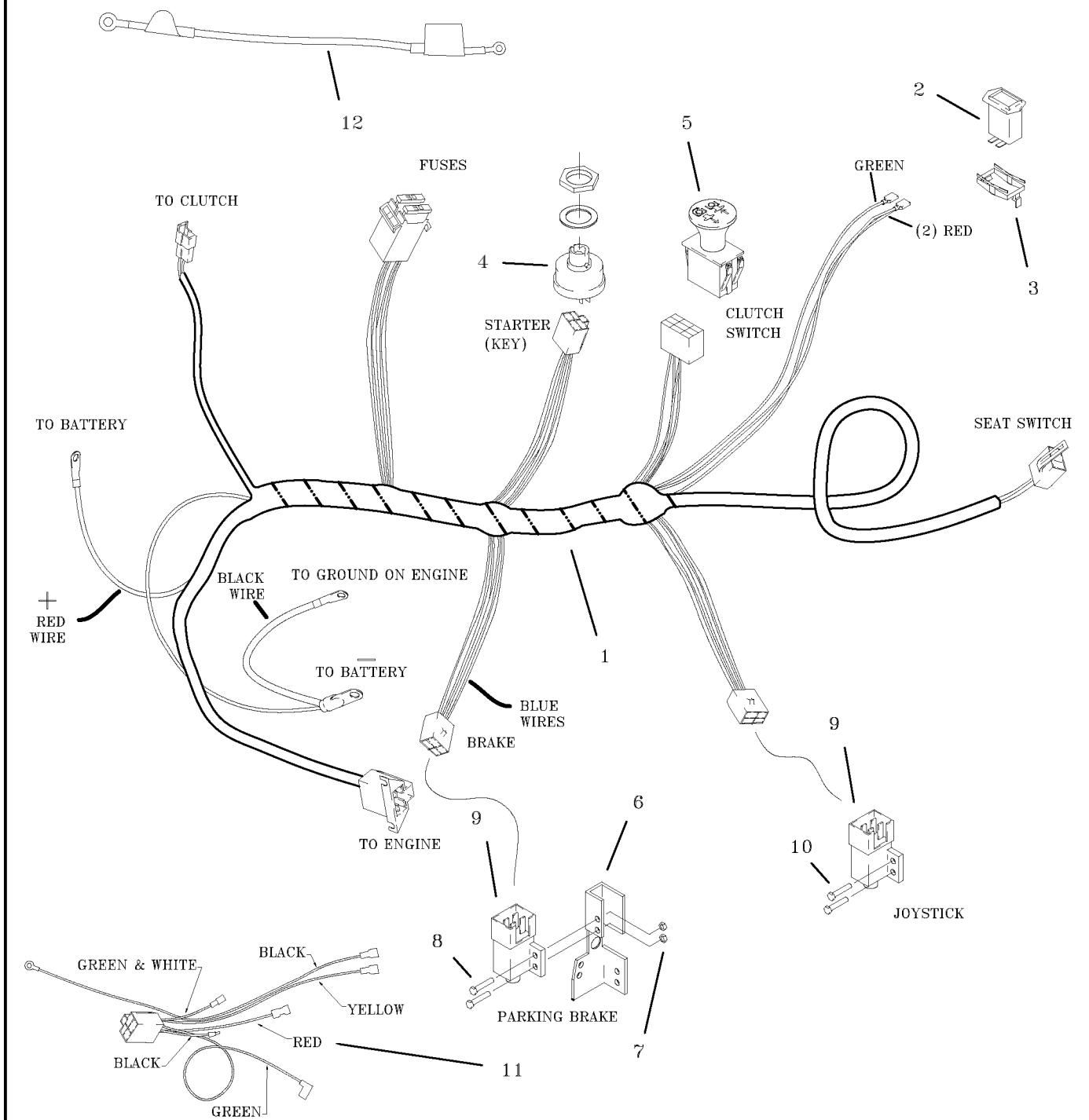
REF NO.	PART NO.	QTY.	DESCRIPTION
1	647-137	1	LH ENGINE GUARD
2	647-135P	1	BATTERY BOX
3	647-138P	1	BRACE
4	647-039P	1	BATTERY HOLD DOWN
5	E-6271	1	BATTERY
6	F-1125	5	5/16 LOCK NUT
7	F-1015-15	4	5/16-18 X 1" BOLT
8	F-1009-02	1	5/16 FLAT WASHER
9	F-1858	1	1/4" U-NUT
10	F-1019-01	3	1/4" LOCK WASHER
11	F-1538	3	1/4-20 X 3/4" BOLT
12	F-1158	2	1/4" LOCK NUT
13	F-1879	1	1/4-20 X 1-1/4" BOLT

OIL RETURN LINES & COOLER ASSEMBLY



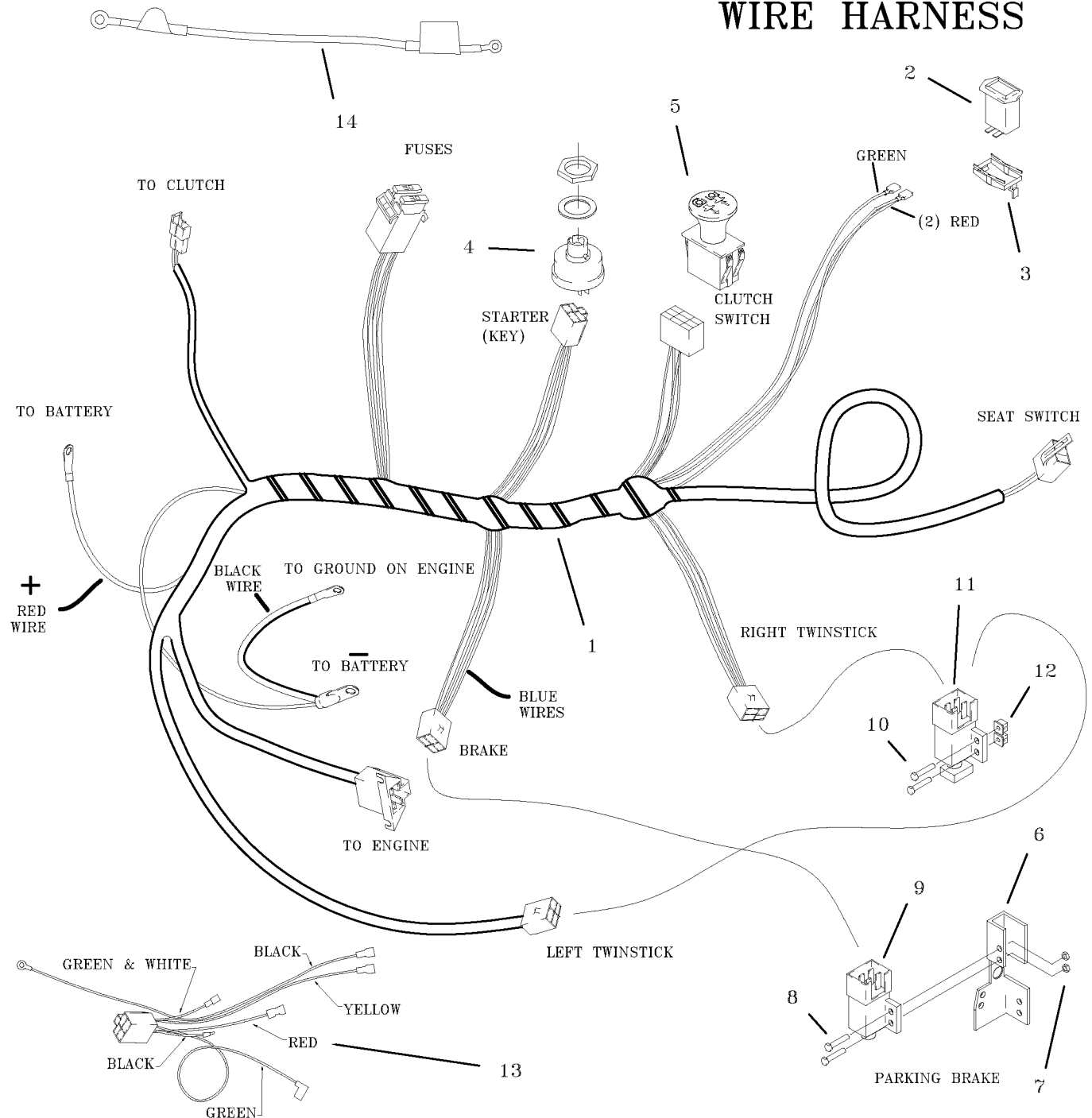
REF NO.	PART NO.	QTY.	DESCRIPTION	REF NO.	PART NO.	QTY.	DESCRIPTION
1	647-046W	1	BRACKET, OIL COOLER	16	H-2330	3	ADAPTER
2	H-2325	1	OIL COOLER	17	H-2331	2	ELBOW
3	-	-	SEE PAGE 3-20	18	H-2327	1	CAPLUG, 3/8 X 1"
4	H-2230	1	TANK, 2 QUART	19	H-1687	1	HOSE CLAMP
5	H-2120	1	CAP, HYDRO TANK	20	H-2479	1	HOSE, SUCTION
6	642-052P	1	TANK MOUNT BRACKET	21	H-2480	1	HOSE, RETURN
7	H-2026	1	FILTER, HYDRO	22	H-2438	1	HOSE, 24" HI-TEMP
8	H-2061	1	FILTER BASE	23	H-2478	1	HOSE, 18" HI-TEMP
9	F-1546	4	5/16 X 3/4 GR. 5	24	H-1859	1	1/4 PIPE & HOSE BARB 90°
10	F-1009-02	6	5/16 FLAT WASHER	25	F-1125	4	5/16-18 STOVER NUT
11	F-1015-05	2	1/4-20 X 1" GR. 5	26	F-1019-02	2	5/16- LOCK WASHER
12	F-1009-01	4	1/4" FLAT WASHER	27	F-1538	4	1/4-20 X 3/4" GR. 5
13	F-1158	4	1/4" LOCK NUT	28	F-1394	2	3/8-16 X 1" CAPSCREW
14	H-2282	5	HOSE CLAMP	29	F-1019-03	2	3/8 LOCKWASHER
15	F-1019-01	2	LOCK WASHER	30	P-11383	1	DECAL, OIL

WIRE HARNESS



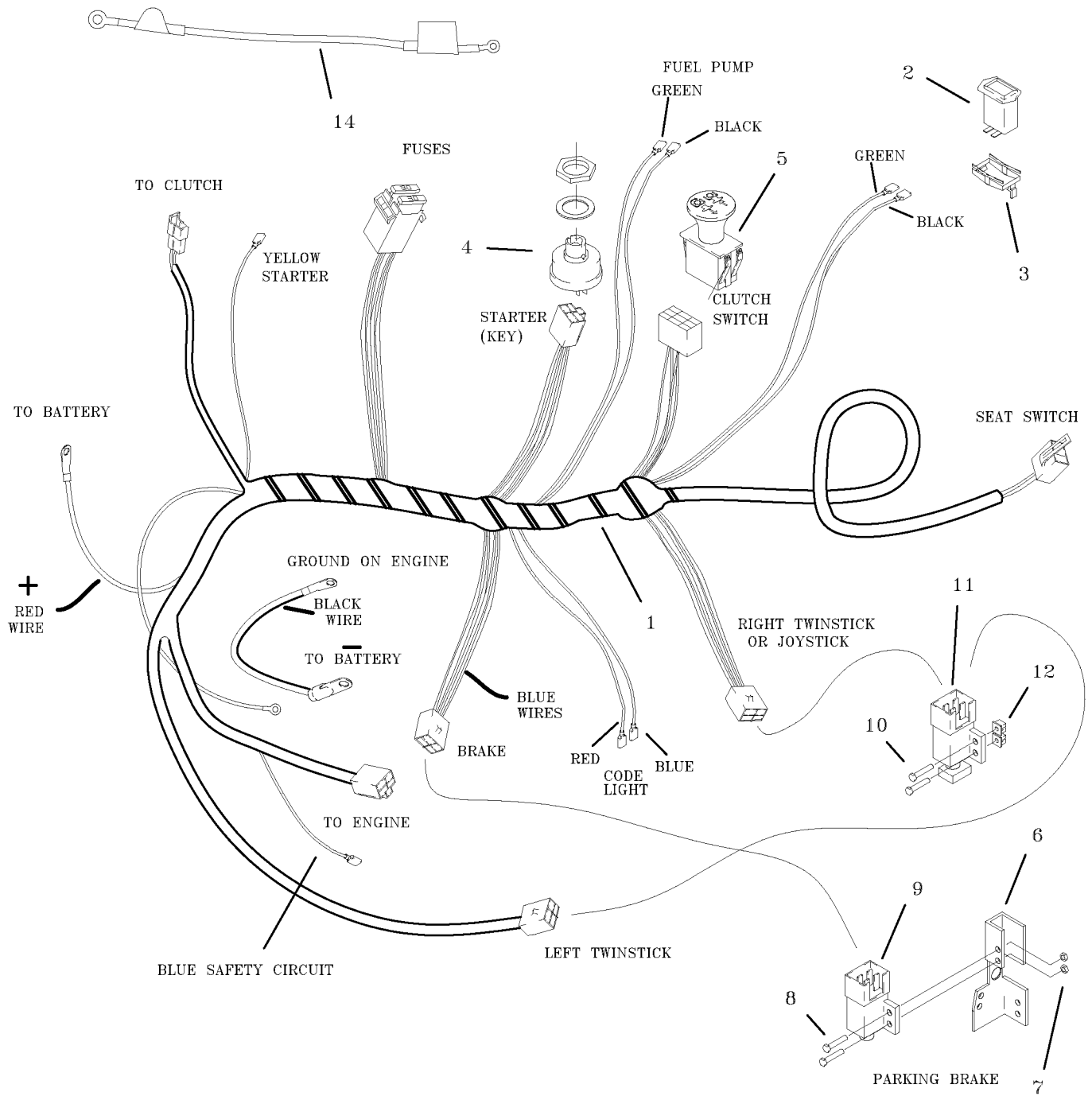
REF NO.	PART NO.	QTY.	DESCRIPTION	REF NO.	PART NO.	QTY.	DESCRIPTION
1	E-6437	1	WIRE HARNESS, JOYSTICK, KOHLER	10	F-1993	2	10-32 X 5/8" THD FORM SCREW
-	E-6437	1	WIRE HARNESS, EFI	11	E-6417	1	KOHLER TO KAWASAKI ADAPTER
2	E-5878	1	HOUR METER	12	E-6418	1	WIRE, BATTERY TO STARTER
3	E-6369	1	RETAINER CLIP				
4	E-5873	1	START SWITCH				
5	E-6403	1	CLUTCH SWITCH				
6	642-054P	1	BRAKE SWITCH BRACKET				
7	F-1448	2	8-32 LOCK NUT				
8	F-1022-26	2	8-32 X 5/8 SCREW				
9	E-6297	2	PLUNGER SWITCH, JOYSTICK				

TWINSTICK WIRE HARNESS



REF NO.	PART NO.	QTY.	DESCRIPTION	REF NO.	PART NO.	QTY.	DESCRIPTION
1	E-6438	1	WIRE HARNESS, KOHLER	10	F-1994	4	#10 X 5/8" SCREW,
2	E-5878	1	HOUR METER	11	647-112A	2	SWITCH BLOCK ASS'Y.
3	E-6369	1	RETAINER CLIP	12	F-1995	4	GROMMET, #10
4	E-5873	1	START SWITCH	13	E-6417	1	KOHLER TO KAWASAKI ADAPTER
5	E-6403	1	CLUTCH SWITCH	14	E-6418	1	WIRE, BATTERY TO STARTER
6	642-054P	1	BRAKE SWITCH BRACKET				
7	F-1448	2	8-32 LOCK NUT				
8	F-1022-26	2	8-32 X 5/8 SCREW				
9	E-6297	2	PLUNGER SWITCH,				

EFI WIRE HARNESS



REF NO.	PART NO.	QTY.	DESCRIPTION	REF NO.	PART NO.	QTY.	DESCRIPTION
1	E-6450	1	WIRE HARNESS, KOHLER	10	F-1994	4	#10 X 5/8" SCREW,
2	E-5878	1	HOUR METER	11	647-112A	2	SWITCH BLOCK ASS'Y.
3	E-6369	1	RETAINER CLIP	12	F-1995	4	GROMMET, #10
4	E-5873	1	START SWITCH				
5	E-6403	1	CLUTCH SWITCH	14	E-6418	1	WIRE, BATTERY TO STARTER
6	642-054P	1	BRAKE SWITCH BRACKET				
7	F-1448	2	8-32 LOCK NUT				
8	F-1022-26	2	8-32 X 5/8 SCREW				
9	E-6297	2	PLUNGER SWITCH,				