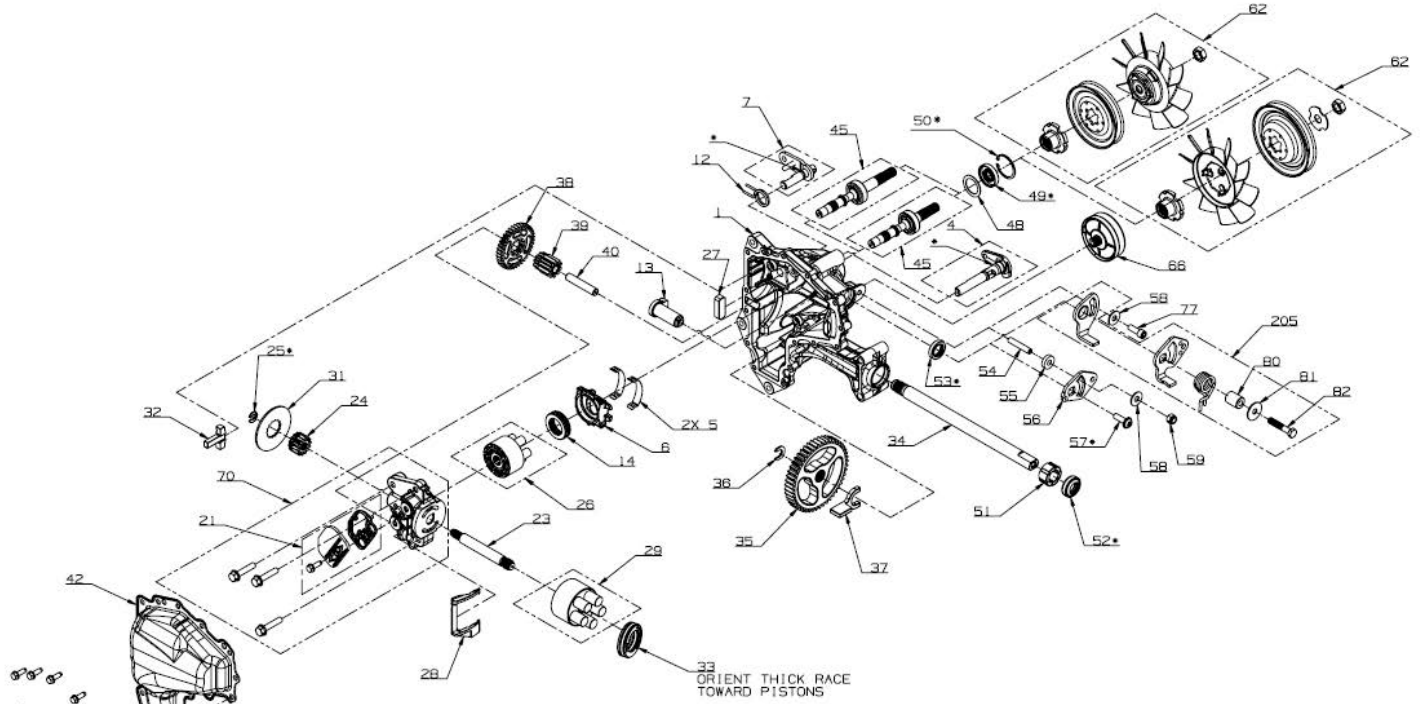


Service Schematic

NOTICE - PROPRIETARY INFORMATION: THIS SERVICE SCHEMATIC AND ITS CONTENTS ARE WHOLLY OWNED BY HYDRO-GEAR OF SULLIVAN, IL, AND MAY NOT BE USED, DISCLOSED, PUBLISHED OR REPRODUCED WITHOUT THE WRITTEN CONSENT OF HYDRO-GEAR.

ZT-1800 SERVICE SCHEMATIC



ITEMS NOT SHOWN	
ITEM	DESCRIPTION
41	SEALANT
100	70W50 OIL
200	KIT, SEAL

* INCLUDED IN ITEM 200 SEAL KIT



Service Schematic

#	PART #	DESCRIPTION	QTY	Note
1	54570	HOUSING, LH	1	
4	73059	KIT, BYPASS	1	
5	54823	BEARING, CRADLE	2	
6	54761	SWASHPLATE, 6CC	1	
7	73060	KIT, BRAKE	1	
12	54623	SPRING, BRAKE TORSION	1	
13	54459	ARM, TRUNNION	1	
14	52002	BEARING 26X42X11 BALL THRUST	1	
21	72766	KIT, FILTER	1	
23	54581	SHAFT, MOTOR	1	
24	54468	GEAR, 14T	1	
25	51628	RING RET 37 EXT KLIPRING.375	1	
26	72736	KIT, CYLINDER BLOCK, 6CC	1	
27	54480	PUCK, BRAKE, MOVING	1	
28	54826	ACTUATOR, BYPASS, LH	1	
29	70331	KIT, BLOCK, 10CC CYLINDER	1	
31	54458	ROTOR, BRAKE	1	
32	54481	PUCK, BRAKE, STATIONARY	1	
33	50551	BEARING 30X52X13 BALL THRUST	1	
34	54452	SHAFT, AXLE .75 X 11.39 (DD)	1	
35	54518	GEAR, 49T	1	
36	54617	CLIP, C	1	
37	54467	SPACER, GEAR, ZT	1	
38	54512	GEAR, 38T	1	
39	54510	GEAR, 10T	1	
40	54577	PIN, JACKSHAFT	1	
41	50928	SEALANT TUBE	1	
42	54574	COVER, LOWER, LH	1	
44	50752	SCREW 1/4-20 X .75 HF	15	
45	54500	SHAFT, INPUT	1	
48	2003018	WASHER .98 X 1.37 X .04	1	
49	9008000-0128	SEAL 15 X 35 X 7 LIP PTC	1	
50	2003052	RING RET 137 INT	1	
51	53599	BUSHING, AXLE OUTBOARD	1	
52	53598	SEAL, LIP, TC4 .75 X 1.25 X .313	1	
53	53901	SEAL .75 X 1.125 X .25 LIP	1	
58	44130	WASHER .34 X .88 X .06	1	
62	72137	KIT, FAN/PULLEY	1	
66	54802	BREATHER ASSEMBLY	1	
70	72764	KIT, CENTER SECTION LH	1	
77	51616	SHCS 5/16-24 X .875	1	
80	54767	SPACER, .32 X .70 X .92	1	
81	54693	WASHER, .34 X 1.13 X .06 FLAT	1	
82	54695	SCREW, HEX CAP, 5/16-24 X 1.875	1	
100	50006	20W-50 OIL OIL, 20W-50 (gal)	0.301	
200	73058	KIT, SEAL	1	

1910-1005L

Service Schematic

#	PART #	DESCRIPTION	QTY	Note
205	72770	KIT, RTN	1	

Service Schematic

1910-1005L