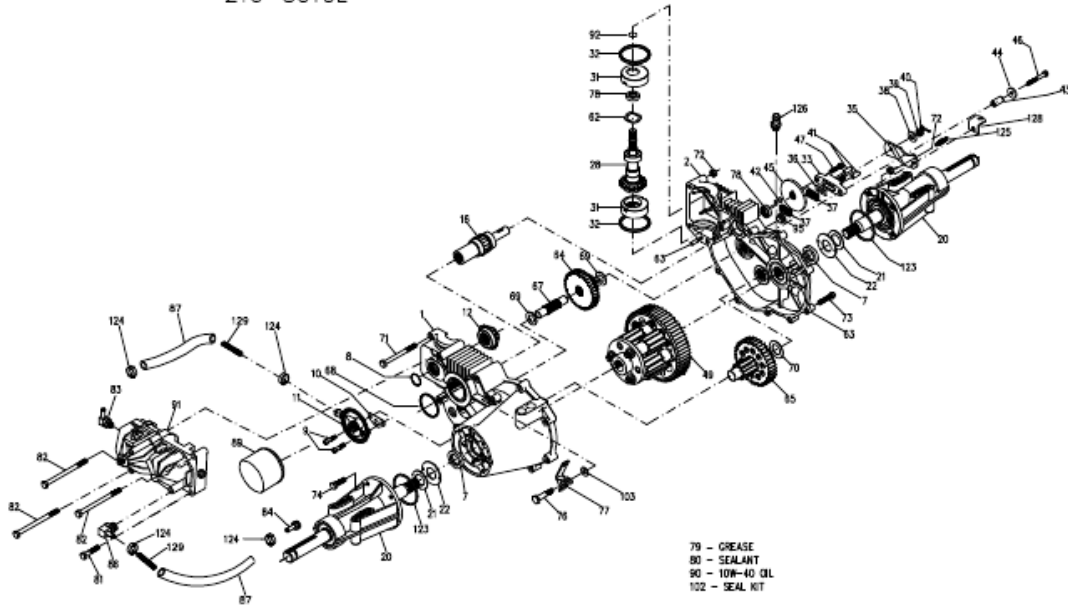



1714699

# Parts Breakdown

1714699  
216-3010L



  
P.1 of 2. 70208-P13

NOTICE / Proprietary Information: This service schematic and its contents are wholly owned by Hydro-Gear of Stillman, IL, and may not be published or reproduced without the written consent of Hydro-Gear.

## Parts Breakdown

#	PART #	DESCRIPTION	QTY	Note
1	70217	ASSEMBLY, L H HOUSING	1	
		L H HOUSING	1	
		DISC, THRUST 1-1/8 OD	1	
		BEARING, NEEDLE SCE1412	1	
		BEARING, BALL 25MM X 52MM	1	
		BEARING, NEEDLE - SCH 1012	1	
		SEAL, OIL .984 X 1.5 X .25	1	
		CAP SCREW, 1/4-20 X 1.0	2	
		GASKET, FILIER BASE	1	
		BASE. OIL FILTER	1	
2	62879	ASSEMBLY, R H HOUSING	1	
		ASSEMBLY, R H HOUSING		
		HOUSING, R H TRANSAXLE	1	
		BOLT, RIB NECK 5/16-18	1	
		WASHER, RUBBER 5/8 OD X .313 ID X .04	1	
		BEARING, NEEDLE SCE1412	1	
		BEARING, BALL 25MM X 52MM	1	
		BEARING, NEEDLE - SCH 1012	1	
		SEAL, OIL .984 X 1.5 X .25	1	
7	44782	SEAL .984 X 1.5 X .25 LIPOIL SEAL, .984 X 1.5 X .25	2	
8	50070	O-RING -Q4123 .103 X 1.174 70	1	
10	44920	GASKET FILTER (3010L)GASKET FILTER	1	
11	70210	KIT, FILTER BASE	1	
		CAP SCREW, 1/4-20 X 1	2	
		GASKET, FILIER BASE	1	
		BASE, OIL FILTER	1	
12	62876	KIT, PINNION	1	
		BEARING BALL, 25MM X 42MM X 9MM	1	
		PINION, 18T DRIVEN	1	
16	62877	KIT, BRAKE SHAFT	1	
		SHAFT, BRAKE	1	
		BEARING, BALL .62 X 1.38 X .43	2	
		GEAR, 17T	1	
		COUPLING	1	
20	70216	KIT, AXLE MOUNTING HORN	2	
		AXLE MOUNTING HORN	1	
		BEARING, 25MM ID	1	
		WASHER, 1.0 X 1.63 X .08 HT	1	
		WASHER, 1.0 X 2.06 X .09 HT	1	
		SHAFT, AXLE	1	
		RING, RETAINING	1	
21	44805	WASHER 1.0 X 1.63 X .082	2	
22	44806	WASHER 1.0 X 2.06 X .09	2	
28	70054	KIT, INPUT SHAFT SERVICE	1	
		BEARING, BALL .62 X 1.38 X .43	1	
		BEARING, BALL 15MM X 35MM X 11MM	1	
		PINION, INPUT 1ST	1	

## Parts Breakdown

#	PART #	DESCRIPTION	QTY	Note
		SHAFT, INPUT	1	
		BUSHING, THRUST	2	
		RETAINING RING	1	
		WIRE RETAINING RING	1	
31	44800	BEARING, RETAINER	2	
		BEARING, RETAINER		
32	50318	KIT, SEAL	2	
33	62589	KIT, BRAKE YOKE	1	
		YOKE, BRAKE	1	
		BOLT, SQ HD 5/16-24	1	
35	50130	ARM, BRAKE	1	
36	44134	PLATE, PUCK	1	
37	44132	PUCK, BRAKE	2	
38	44130	WASHER .34 X .88 X .06WASHER .34 X .88 X .	1	
39	44142	CASTLE NUT, 5/16-24	1	
40	44101	PIN 3/32 X 3/4 COTTER	1	
41	44127	PIN BRAKE ACTUATING	1	
42	44143	KEY 3/16 X 5/8 HI PRO	2	
43	23711	SPACER .26X.57X.87	1	
45	44090	DISC, BRAKE .625X2.7X.19	1	
46	44300	SCREW 1/4-20 X 2 HH W/PATCH	1	
47	44433	BOLT 1/4-20 X 1 (PATCH)	1	
49	70251	KIT, DIFF	1	
		GEAR, 12T DIFFERENTIAL	2	
		GEAR, 10T PLANET DIFFERENTIAL	6	
		SPACER, DIFFERENTIAL	6	
		SPACER, SHAFT	3	
		DIFFERENTIAL END CAP	1	
		BOLT, 3/8-24 X 4.5 GD8	3	
		NUT. HEX LOCK 3/8-24 GD8	3	
		SHAFT, DIFFERENTIAL	3	
		GEAR, 60T DIFFERENTIAL	1	
62	44843	WASHER 1.00 X 1.375 X .17	1	
63	44757	PIN .25 X .625	2	
64	44776	GEAR, RED 14/38T SPLINE ID	1	
65	70051	KIT, FINAL DRIVE PINNION	1	
		GEAR 38T	1	
		GEAR 12T	1	
67	44779	SHAFT (JACK)SHAFT	1	
68	44781	O-RING -023 .103 X 1.862 70A	1	
69	44795	WASHER .63 X 1.2 X .05 FLAT	2	
70	44794	WASHER .88 X 1.63 X .07 FLAT	1	
71	44827	SCREW 5/16-18 X 3.5 HHC W/PATCH	2	
72	43083	NUT 5/16-18 HEX	4	
73	50868	SCREW 5/16-18 X 1.5 TH	11	
74	45089	SCREW 5/16-18 X 1 HHC W/PATCH	7	
76	44785	SCREW 5/16-18 X 1 SHOULDER	1	

## Parts Breakdown

# Parts Breakdown

#	PART #	DESCRIPTION	QTY	Note
77	44786	ARM, BYPASS	1	
78	44761	SEAL, OIL .625 X 1.0 X .25KIT, SEAL	2	
79	50416	GREASE TUBE CHEMPLUS 1-LP	1	
80	50928	SEALANT TUBESEALANT TUBE 10.1 OZ	1	
81	43084	SCREW 5/16-18 X 1-3/4 HHC PATCH	1	
82	44820	SCREW 5/16-18 X 4.5 HHC W/PATCH	3	
83	50589	FITTING 1/2" BEADED 90 DEGREE 9/16 SAE FITTING 1/2" BEADED 90 DEGREE 9/16 SAE	2	
84	50591	FITTING STRAIGHT SAE 1/2 BEADED 9/16	1	
86	50592	FITTING 1/2" BEADED 90 DEGREE 7/8 SAE FITTING 1/2" BEADED 90 DEGREE 7/8 SAE	1	
87	50594	HOSE 0.5 X 8.75	2	
89	51563	FILTER, SPIN-ON	1	
90		10W-40 OIL	99.8 oz	
91	BDU-10L-258	BDU-10L-258 BDU-10L-258	1	
92	2003016	RING RET 59 EXT WIRE	1	
95	9005110-5600	PLUG 9/16-18 METAL	1	
102	70052	KIT, SEAL	1	
103	50169	WASHER .31 X .74 X .06	1	
123	50405	O-RING -144 .103 x 2.487 90A	2	
124	50590	CLAMP, PINCH 13/16	4	
125	50384	SPRING EXT .33 X 1.33	1	
126	70110	FITTING O-RING ASSEMBLYKIT, O-RING FITTING	1	
128	50622	BRACKET BRAKE RETURN SPRING	1	
129	50666	SPRING COMP .49 X 8.50	2	