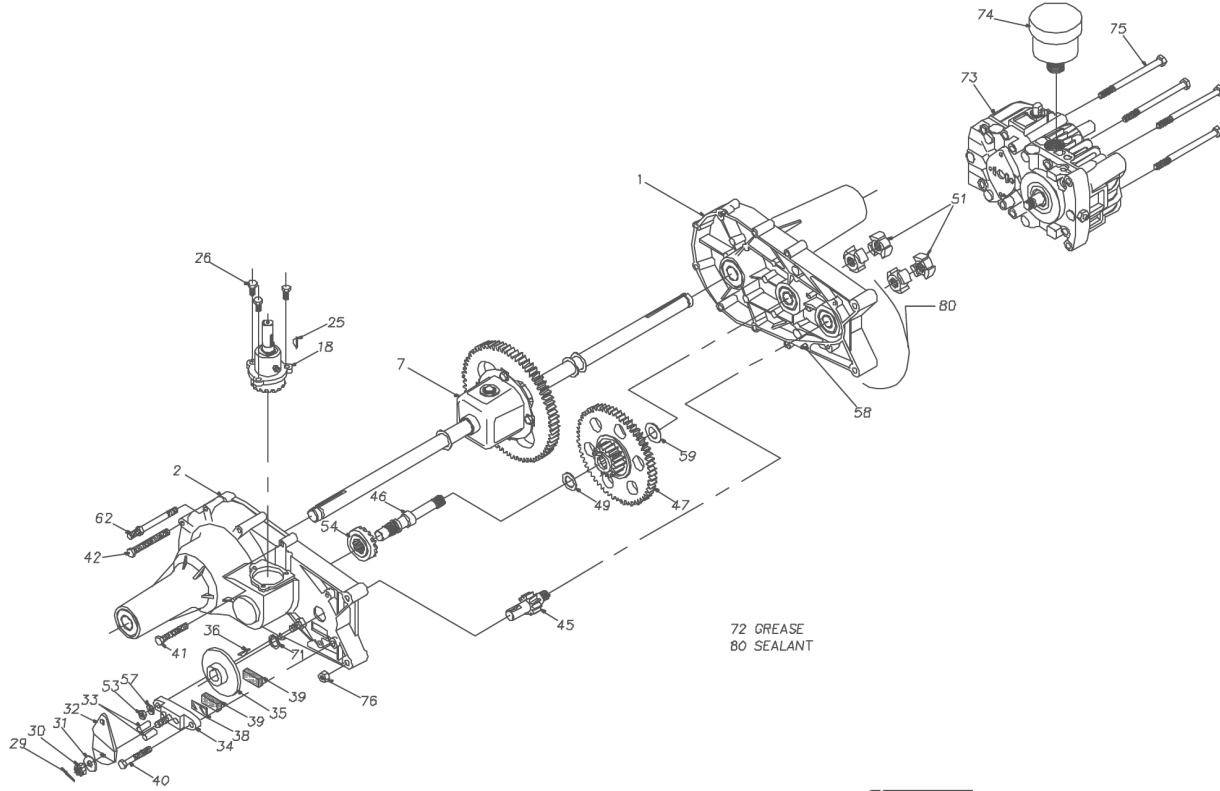


1709251

Parts Breakdown

1709251
219-1010S




P.1 of 2. 70073-S7

Parts Breakdown

#	PART #	DESCRIPTION	QTY	Note
1	62587	KIT, HSG LH	1	
		HOUSING, LH	1	
		BALL BEARING, 3/4 ID X 40MM X 12MM	2	
		BALL BEARING, .62 ID X 1.38 X .44	2	
2	62586	KIT, HSG RH	1	
		HOUSING, RH	1	
		BALL BEARING, 3/4 ID X 40MM X 12MM	2	
		BALL BEARING, 35 OD X 15 ID	1	
		BALL BEARING, .62 ID X 1.38 X .44	1	
7	62773	ASSY DIFFERENTIAL (COMPLETE)	1	
		LH AXLE, 3/4 DIA.	1	
		RH AXLE, 3/4 DIA.	1	
		MITER GEAR (SPLINED)	2	
		HEX JAN NUT, 1/2-20	2	
		FLANGE BEARING, 3/4 10 X 7/8 00	1	
		DIFFERENTIAL HOUSING	1	
		FLANGE BEARING, 3/4 ID X 1.0 OD	1	
		DIFFERENTIAL GEAR	1	
		MITER GEAR, 1/2 ID	2	
		CROSS SHAFT	1	
		THRUST BEARING, 1/2 X 1 OD	2	
		RETAINING RING	2	
		DIFFERENTIAL LOCKING BOLT	4	
18	62771	ASSY INPUT PINION HSG	1	
		ASSY INPUT PINION HSG		
		INPUT SHAFT	1	
		RETAINING RING #5100-62	1	
		RETAINING RING #5100-43	1	
		INPUT HOUSING	1	
		NEEDLE BEARING	1	
		THRUST BEARING NTA-1018	1	
		THRUST RACE TRA-1018	2	
		KEY. HI-PRO	1	
		INPUT 17T PINION	1	
		WASHER	1	
		NEEDLE BEARING	1	
25	44572	KEY 1/8 X 5/8 HI PRO	1	
26	44122	SCREW 1/4-20 X .75 HHC PATCH	3	
29	44101	PIN 3/32 X 3/4 COTTER	1	
30	44142	CASTLE NUT, 5/16-24	1	
31	44130	WASHER .34 X .88 X .06WASHER .34 X .88 X .	1	
32	44094	ARM, BRAKE	1	
33	44127	PIN BRAKE ACTUATING	2	
34	62589	KIT, BRAKE YOKE	1	
		SQUARE HEAD BOLT	1	
		BRAKE YOKE	1	
35	44090	DISC, BRAKE .625X2.7X.19	1	

Parts Breakdown

Parts Breakdown

#	PART #	DESCRIPTION	QTY	Note
36	44143	KEY 3/16 X 5/8 HI PRO	1	
38	44134	PLATE, PUCK	1	
39	44132	PUCK, BRAKE	2	
40	44433	BOLT 1/4-20 X 1 (PATCH)	1	
41	44123	SCREW 1/4-20 X 2.0 SELF TAPPING	4	
42	44124	SCREW 1/4-20 X 3.0 SELF TAPPING	4	
45	44083	SHAFT PINION 11T GR	1	
46	44080	SHAFT, DRIVE SHAFT, DRIVE	1	
47	71265	REDUCTION GEAR ASSEMBLY REDUCTION GEAR NEEDLE BEARING DOWEL PIN SEAL, 7/8 OD X 5/8 ID X 3/32 THRUST WASHER WASHER, FLAT .62 ID X 1.0 OD X .05 THK WASHER, FLAT .62 ID X 1.0 OD X .03 THK	1 1 1 1 1 1 1 1	
49	44371	WASHER .63 X 1.0 X .05 FLAT WASHER .62 X 1.0 X .05	1 1	
51	44084	COUPLING (HALF)COUPLING	4	
53	43178	NUT 1/4-20 HEX	1	
54	44079	GEAR, DRIVE PINION 17T GEAR, DRIVE PINION 17T	1 1	
57	43177	WASHER .250 LOCK	1	
58	44269	PIN .188 X .5 SPRING	2	
59	44125	WASHER .63 X 1.0 X .03 FLAT	1	
62	44271	SCREW 1/4-20 X 3.75 STUD	2	
71	44378	SEAL .625 X .875 X .09 LIP	1	
72	50416	GREASE TUBE CHEMPLUS 1-LP	2	
73	BDU10S-114	TRANSMISSION TRANSMISSION	1 1	
74	2003081	ASSEMBLY RESERVOIR	1	
75	44820	SCREW 5/16-18 X 4.5 HHC W/PATCH	4	
76	43083	NUT 5/16-18 HEX	2	
80	50928	SEALANT TUBE SEALANT TUBE 10.1 OZ	1 1	