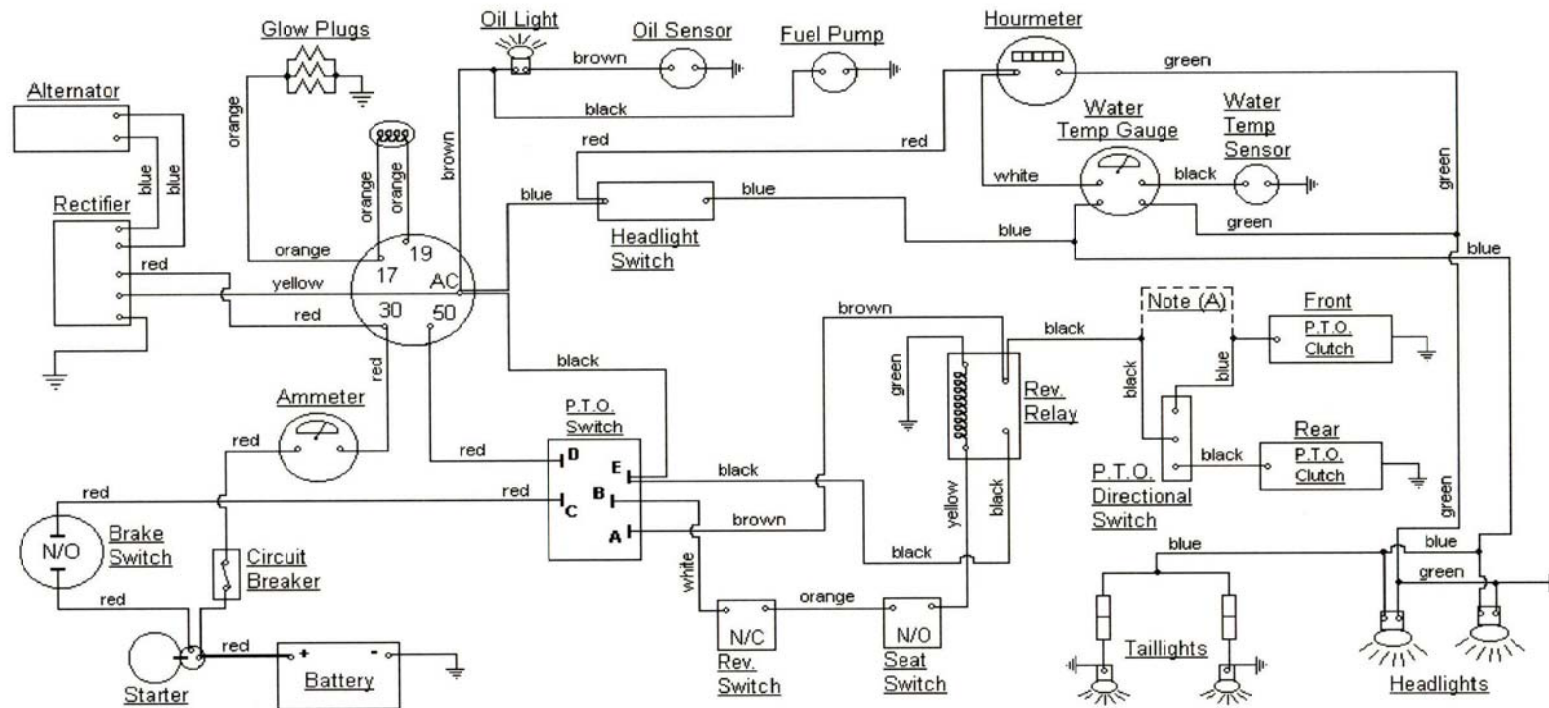


# P&P SMALLENGINES 515-266-7944



PTO SWITCH	
OFF	C+D
ON	B+A
START	B+A+E

KEY SWITCH	
GLOW PLUG	30+19+AC
OFF	NONE
ON	30+AC
START	30+50+19+AC

**NOTE: (A) REMOVE JUMPER FOR REAR P.T.O. INSTALLATION**