

Distribué par | Distributed by



LES INDUSTRIES  
**COBOL**  
INDUSTRIES LTD.

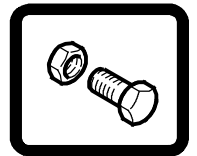
LaSalle, Québec, H8N 2X2  
514-365-1600  
www.cobolindustries.com



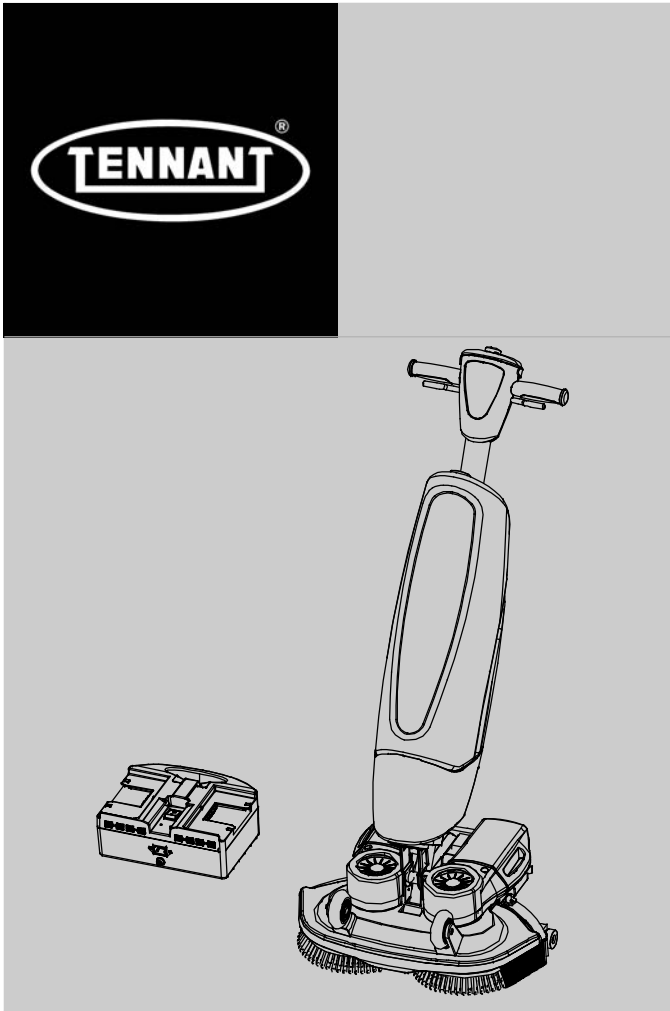
# i-mop XL<sup>®</sup>

SCRUBBER

## Parts Manual



(S/N 300000- )



Model Part No.:

- 1231845 - Machine w/Battery & Charger, Blue Brushes
- 1235203 - Machine w/Battery & Charger, Red Brushes
- 9016402 - Machine w/Extra Battery & Charger, Blue Brushes
- 1232547 - Battery Charger



For the latest Parts manuals and other  
language Operator manuals, visit:

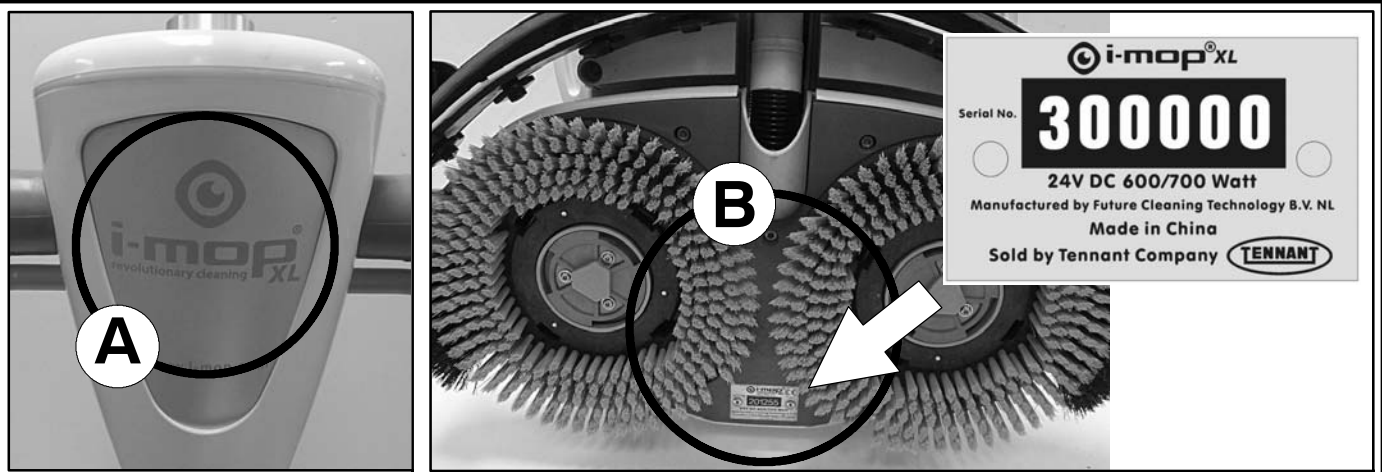
[www.tennantco.com/manuals](http://www.tennantco.com/manuals)

**North America / International**

[www.tennantco.com](http://www.tennantco.com)

9016490  
Rev. 01 (09-2017)





Ref	Part No.	Serial Number	Description	Qty.
1	82681	(000000- )	Bracket Wldt, Lpg Mount	1
∇ 2	63810	(000000- )	Latch Assy, Lpg Tank Mtg, W/Nut	4
▲ 3	51839	(000000- )	Nut Adjustable, Lpg Tank Mtg	2
4	49263	(000000- )	Tie, Cable	3
(D)	82556	(000000- 001039)	Bracket, Vaporizer	1
	54930	(000000- )	Vaporizer, LPG	1

**HOW TO ORDER PARTS - See diagram above**

Only use TENNANT Company supplied or equivalent parts. Parts and supplies may be ordered online, by phone, by fax or by mail.

Follow the steps below to ensure prompt delivery.

1. (A) Identify the machine model.
2. (B) Identify the machine serial number from the data label.
3. (C) Ensure the proper serial number is used from the parts list.
4. Identify the part number and quantity. Do not order by page or reference numbers.
5. Provide your name, company name, customer ID number, billing and shipping address, phone number and purchase order number.
6. Provide detail shipping instructions.

- (D) ∇ - identifies an assembly  
 ▲ - identifies parts included in assembly

**Please fill out at time of installation for future reference.**

Model No. - \_\_\_\_\_

Serial No. - \_\_\_\_\_

Machine Options - \_\_\_\_\_

Sales Rep. - \_\_\_\_\_

Sales Rep. phone no. - \_\_\_\_\_

Customer ID Number - \_\_\_\_\_

Installation Date - \_\_\_\_\_

**Tennant Company**

PO Box 1452  
 Minneapolis, MN 55440 USA  
 Phone: (800) 553- 8033  
 www.tennantco.com

Specifications and parts are subject to change without notice.

Copyright © 2017 TENNANT Company, Printed in U.S.A.

**STANDARD PARTS**

---

GENERAL RECOMMENDED MAINTENANCE  
ITEMS ..... 5

HANDLE ASSEMBLY ..... 6

HANDLE ASSEMBLY - CONT'D ..... 8

CONTROL CONSOLE ASSEMBLY ..... 10

CLEAN WATER TANK ASSEMBLY ..... 12

DIRTY WATER TANK ASSEMBLY ..... 14

SCRUB HEAD ASSEMBLY ..... 16

BRUSH DRIVER ASSEMBLY ..... 18

PAD DRIVER ASSEMBLY ..... 20

SQUEEGEE ASSEMBLY ..... 22

MAIN LEVER ASSEMBLY ..... 24

BATTERY PACK ASSEMBLY ..... 26

BATTERY CHARGER ASSEMBLY ..... 28

ELECTRICAL DIAGRAM ..... 30

# TABLE OF CONTENTS

---

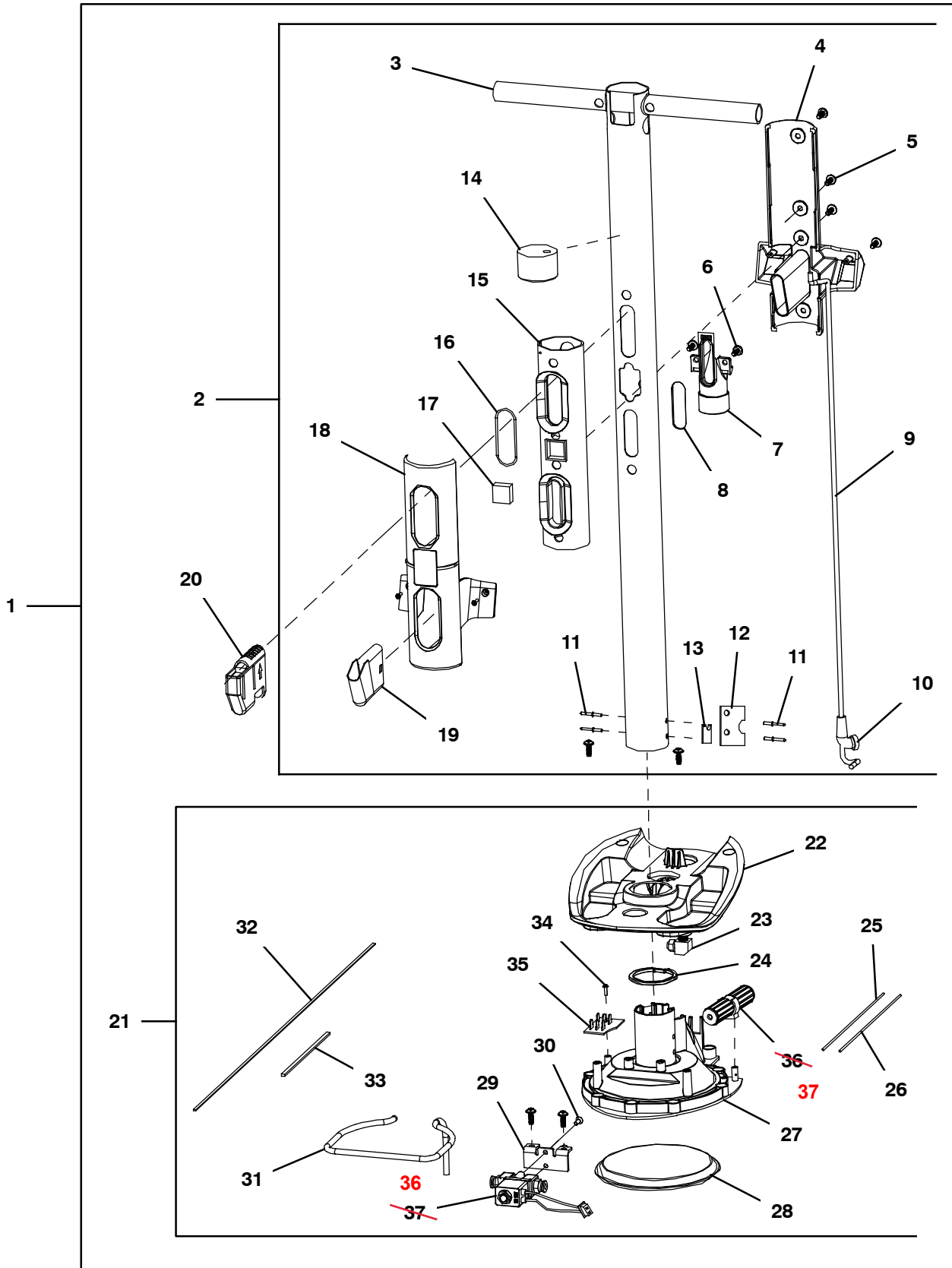
# RECOMMENDED MAINTENANCE ITEMS

## GENERAL RECOMMENDED MAINTENANCE ITEMS

Part No.	Serial Number	Description	Qty.
1234346	(300000-	) Pad Kit, Red [Box Of 10] (Washing Pad)	1
1234347	(300000-	) Pad Kit, Wht [Box Of 10] (Washing Pad)	1
1234348	(300000-	) Pad Kit, Grn [Box Of 10] (Washing Pad)	1
1234350	(300000-	) Pad Kit, Blue [Box Of 10] (Scrubbing Pad)	1
1234344	(300000-	) Pad Kit, Blk [Box Of 10] (Scrubbing Pad)	1
1232645	(300000-	) Pad Kit, Yellow [Twister] (Diamond Polishing Pad) (Set of 2)	1
1232647	(300000-	) Pad Kit, Orange [Twister] (Diamond Polishing Pad) (Set of 2)	1
1232648	(300000-	) Pad Kit, Blue [Twister] (Diamond Polishing Pad) (Set of 2)	1
1232649	(300000-	) Pad Kit, Green [Twister] (Diamond Polishing Pad) (Set of 2)	1
1232650	(300000-	) Pad Kit, White [Twister] (Diamond Polishing Pad) (Set of 2)	1
1232651	(300000-	) Pad Kit, Red [Twister] (Diamond Polishing Pad) (Set of 2)	1
1232627	(300000-	) Squeegee Kit, Front	1
1232629	(300000-	) Squeegee Kit, Rear (Standard)	1
1232635	(300000-	) Squeegee Kit, Rbr, Oil-Rstn (Option)	1
1232579	(300000-	) Motor, Brush, Rh	1
1232582	(300000-	) Motor, Brush, Lh	1
1232669	(300000-	) Circuitboard, Cntrl	1
1232670	(300000-	) Circuitboard, Cntrl, Bat	1
1232482	(300000-	) Valve Assy, Copper, W/ Connectors (Includes Fixation Plate and Mounting Screws)	1
1232481	(300000-	) Connector Assy, Upt, Sigar (Includes Clip and Mounting Screw)	1
1232673	(300000-	) Caster Assy, Sqge	3
1232674	(300000-	) Fan, Vac (Includes Seals)	1
1232675	(300000-	) Cover, Brush, Motor	1
1232590	(300000-	) Hinge Assy, Lever	1
1232698	(300000-	) Transport Kit, Caster, Rh	1
1232700	(300000-	) Transport Kit, Caster, Lh	1
1232676	(300000-	) Clip, Retaining, Tank	1
1232519	(300000-	) Coupling, Water	1
1232677	(300000-	) Connector, Hose, Sqge	1
1232684	(300000-	) Knob, Cntrl (Silver)	1
1232686	(300000-	) Decal, Instr	1
1232587	(300000-	) Hose Assy, Stretch	1
1232492	(300000-	) Filter Assy, Foam	1

HANDLE ASSEMBLY

355575



HANDLE ASSEMBLY

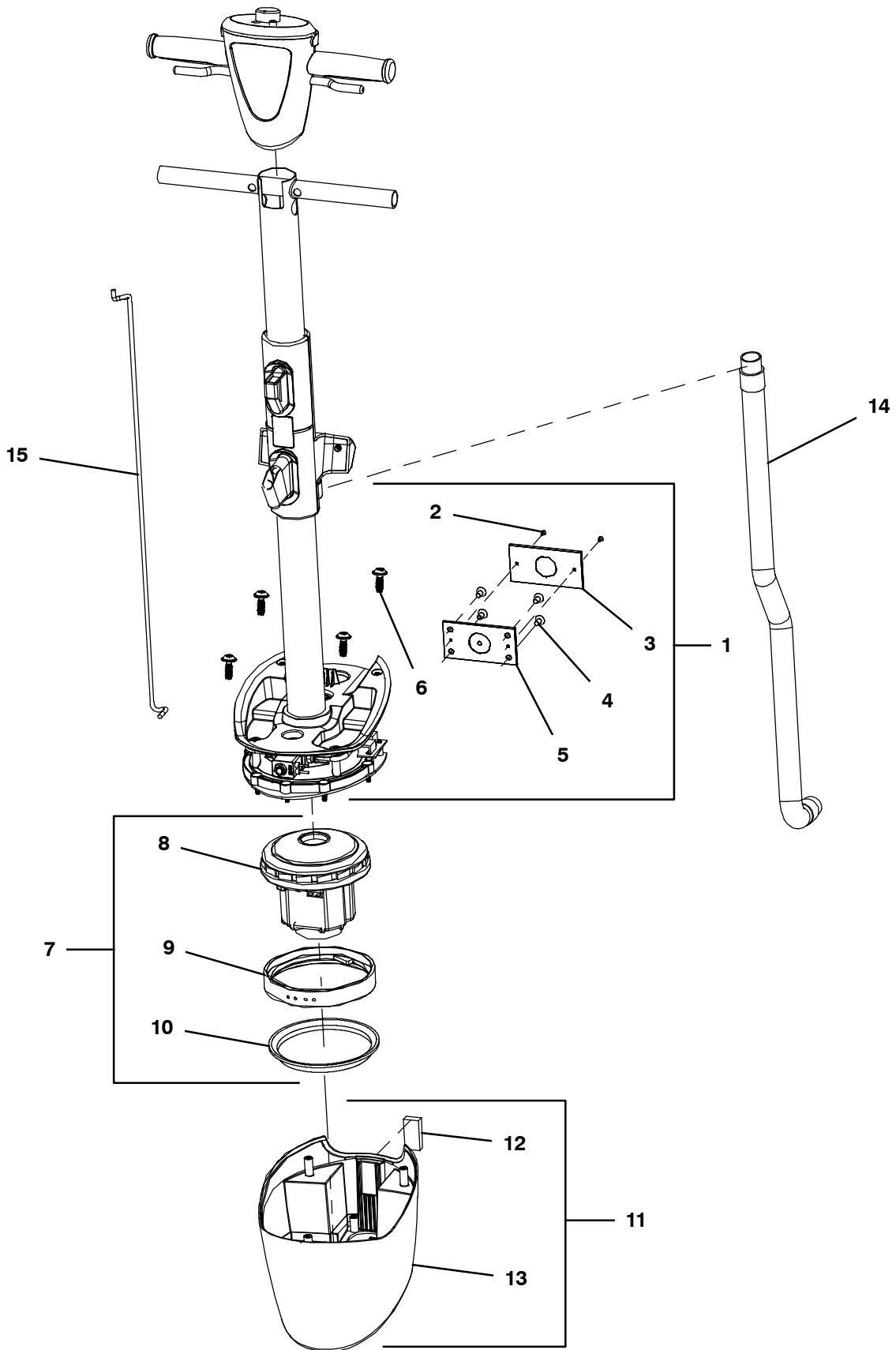
Ref.	Part No.	Serial Number	Description	Qty.
▽	1	1232443	(300000- ) Tube Assy, Inlet	1
▲▽	2	1232708	(300000- ) Tube Wldt, Inlet (Includes Items #2- 19 Only)	1
▲▲	3	N/A	(300000- ) Assy Inlet Tube Welding	1
▲▲	4	N/A	(300000- ) Tank Holder Rear	1
▲▲	5	N/A	(300000- ) Screw Wn 5451 50x25 Ejot Delta Pt	10
▲▲	6	N/A	(300000- ) Screw Wn 5451 25x10 Ejot Delta Pt	2
▲▲	7	1234958	(300000- ) Connector, Hose, Squeegee [Imop]	1
▲▲	8	N/A	(300000- ) Gasket For Hose Connector	1
▲▲	9	1232494	(300000- ) Cable, Connector, Cntrl [Utp]	1
▲▲	10	N/A	(300000- ) Power Cable Guiding Rubber	1
▲▲	11	N/A	(300000- ) Rivet With Dia. 5mm & Length 10mm	4
▲▲	12	N/A	(300000- ) Sealing Pressure Plate	1
▲▲	13	N/A	(300000- ) Sealing Rubber Sheet Al Tube	1
▲▲	14	N/A	(300000- ) End Cap Inlet Tube	1
▲▲	15	1234957	(300000- ) Seal, Tank, Recvy [Imop]	1
▲▲	16	N/A	(300000- ) O- ring Wire Dia. 3mm, Od 46mm	1
▲▲	17	N/A	(300000- ) Magnet Top Unit Small 20x20x10mm	1
▲▲	18	N/A	(300000- ) Tank Holder Front	1
▲▲	19	1234953	(300000- ) Deflector, Tank, Recvy [Imop]	1
▲	20	1232492	(300000- ) Filter Assy, Foam	1
▲▽	21	1232710	(300000- ) Motor Kit, Top (Includes Items #22- 34 Only)	1
▲▲	22	N/A	(300000- ) Motor Unit Top	1
▲▲	23	N/A	(300000- ) Angle Metal Connector	1
▲▲	24	N/A	(300000- ) Motor Unit Frame Rubber	1
▲▲	25	N/A	(300000- ) 187 Terminal + Wire 14awg Red, L=280mm 250 Terminal	1
▲▲	26	N/A	(300000- ) 187 Terminal + Wire 14awg Blk, L=280mm 250 Terminal	1
▲▲	27	N/A	(300000- ) Motor Unit Frame	1
▲▲	28	N/A	(300000- ) Vacuum Motor Sealing Top	1
▲▲	29	N/A	(300000- ) Screw M3x12 Crosshead Selftapping Bl- ni Sst	2
▲▲	30	1234975	(300000- ) Screw, Flt, Soc, M4 X 10 Ss [10x, Imop]	1
▲▲	31	N/A	(300000- ) Megnetic Ventil Fixation Plate Stainless Steel	1
▲▲	32	N/A	(300000- ) Sealing Gasket Eva 3x1.5x593mm	1
▲▲	33	N/A	(300000- ) Sealing Gasket Eva 4x2.5x150mm	1
▲▲	34	N/A	(300000- ) Water Channel Dia. 6mm L:225mm	1
▲	35	1232486	(300000- ) Circuitboard, Valve (Includes Items #29)	1
▲	36	1232482	(300000- ) Valve Assy, Copper, W/ Connectors (Includes Items #30 & 31 Only)	1
▲	37	1232481	(300000- ) Connector Assy, Upt, Sigar (Includes Clip and Mounting Screw)	1

▽ ASSEMBLY

▲ INCLUDED IN ASSEMBLY

HANDLE ASSEMBLY - CONT'D

355581





## HANDLE ASSEMBLY - CONT'D

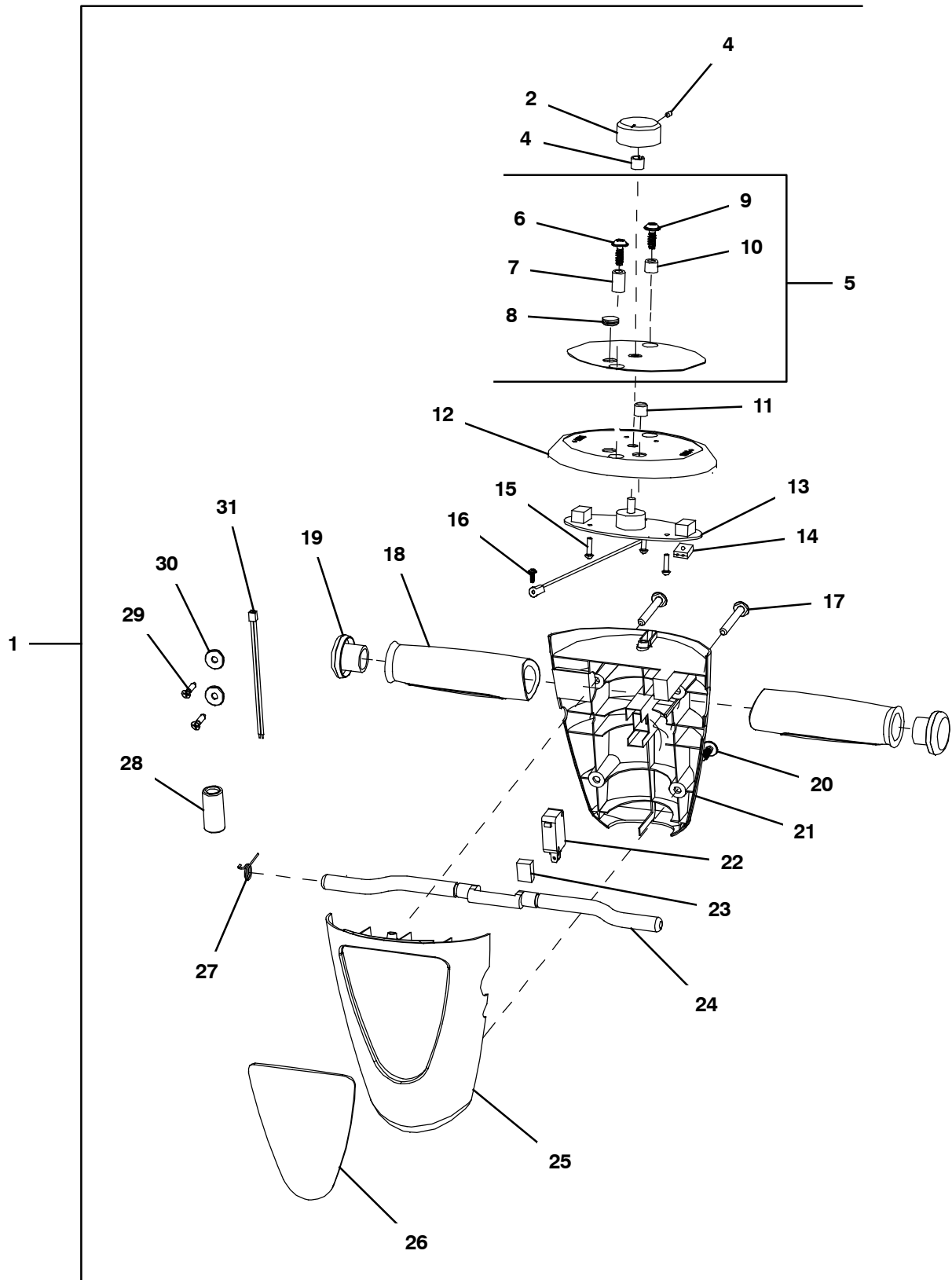
	Ref.	Part No.	Serial Number	Description	Qty.
▽	1	1232694	(300000-	) Hinge Kit, Lever	1
▲	2	N/A	(300000-	) Count Sunk Screw N3.5x13 Philips Head	2
▲	3	N/A	(300000-	) Plastic Plate For Hinge Welding Assy	1
▲	4	1234974	(300000-	) Screw, Flt, Soc, M6 X 12 NI [10x, Imop]	1
▲	5	N/A	(300000-	) Hinge Welding Assy Top Unit	1
▲	6	N/A	(300000-	) Screw M4x12	4
▽	7	1232674	(300000-	) Fan, Vac	1
▲	8	N/A	(300000-	) Domel Vacuum Cleaner Motor	1
▲	9	N/A	(300000-	) Vac Motor Sealing Support	1
▲	10	N/A	(300000-	) Vac Motor Sealing Bottom	1
▽	11	1232711	(300000-	) Cover Kit, Fan	1
▲	12	N/A	(300000-	) Magnet Top Unit	1
▲	13	N/A	(300000-	) Motor Unit Cover	1
	14	1232587	(300000-	) Hose Assy, Stretch	1
	15	1232494	(300000-	) Cable, Connector, Cntrl [Utp]	1

▽ ASSEMBLY

▲ INCLUDED IN ASSEMBLY

CONTROL CONSOLE ASSEMBLY

355584



## CONTROL CONSOLE ASSEMBLY

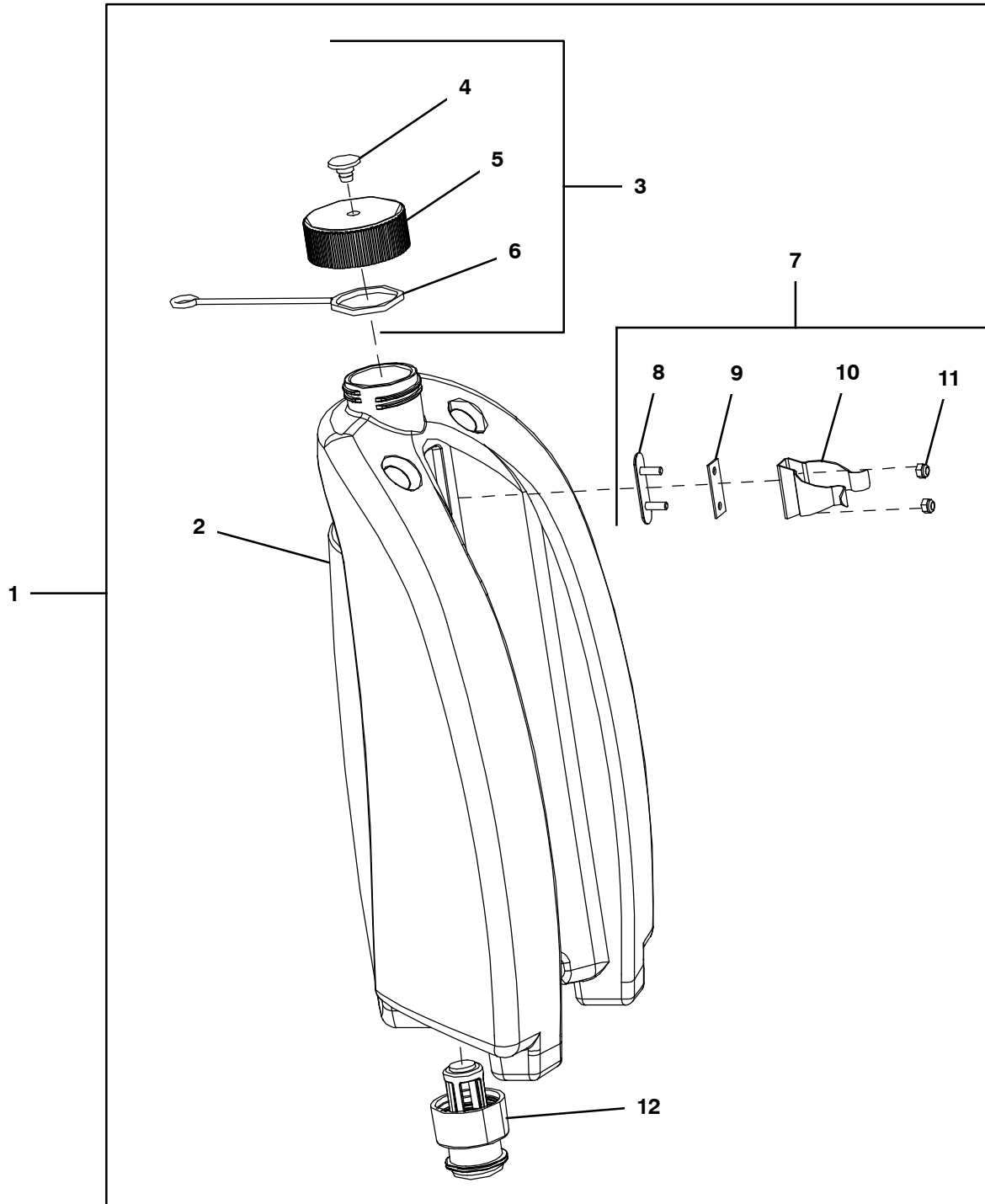
Ref.	Part No.	Serial Number	Description	Qty.
▽	1	1232438	(300000- ) Control Assy, Unit	1
▲	2	1232684	(300000- ) Knob, Cntrl	1
▲	3	N/A	(300000- ) Hexagon Socket Set Screw M4 x 8	1
▲	4	N/A	(300000- ) Fixation Insert Turning Button	1
▲▽	5	1232686	(300000- ) Decal, Instr	1
▲▲	6	N/A	(300000- ) M4x25 Countersunk Screw Stainless Steel	1
▲▲	7	N/A	(300000- ) Support Plastic Bush Top Al Sticker Long	1
▲▲	8	N/A	(300000- ) Rubber Block Water Save Adjustment Hole[A]	1
▲▲	9	N/A	(300000- ) M4x20 Countersunk Screw Stainless Steel	1
▲▲	10	N/A	(300000- ) Support Plastic Bush Top Al Sticker Short	1
▲	11	N/A	(300000- ) Water Save Button	1
▲	12	1234960	(300000- ) Housing, Cotrol, Top [White, Imop]	1
▲	13	1232669	(300000- ) Circuitboard, Cntrl	1
▲	14	N/A	(300000- ) Switch Wire Clamp, Color: Black	1
▲	15	N/A	(300000- ) Screw M3x12 Crosshead Selftapping Bl- ni Sst	3
▲	16	N/A	(300000- ) Screw 4x10	1
▲	17	N/A	(300000- ) Screw M4x35 Crosshead, Standard Thread Sst	2
▲	18	1234963	(300000- ) Handle, Grip [2x, Imop]	1
▲	19	N/A	(300000- ) End Cap Grip, Color: Blue (P312C)	2
▲	20	N/A	(300000- ) Screw M4x12 Crosshead, Standard Thread Sst	2
▲	21	1234959	(300000- ) Housing, Control, Rear [White, Imop]	1
▲	22	N/A	(300000- ) Power Switch Control Unit Omoron	1
▲	23	N/A	(300000- ) Rubber Block 15x10x5mm Injected	1
▲	24	1234961	(300000- ) Handle, Control [Blue, Imop]	1
▲	25	1234962	(300000- ) Housing, Control, Front [White, Imop]	1
▲	26	1234967	(300000- ) Plate, Label, Handle [Al, Imop]	1
▲	27	N/A	(300000- ) Spring Switch Lever Dia 0.8mm	1
▲	28	N/A	(300000- ) Magnet Ring Easy Scrub	1
▲	29	N/A	(300000- ) Screw Wn 5451 25x10 Ejot Delta Pt	2
▲	30	N/A	(300000- ) Plastic Washer 9x4x1mm	2
▲	31	N/A	(300000- ) On/Off Switch Wires / L=250mm	1

▽ ASSEMBLY

▲ INCLUDED IN ASSEMBLY

CLEAN WATER TANK ASSEMBLY

355576



## CLEAN WATER TANK ASSEMBLY

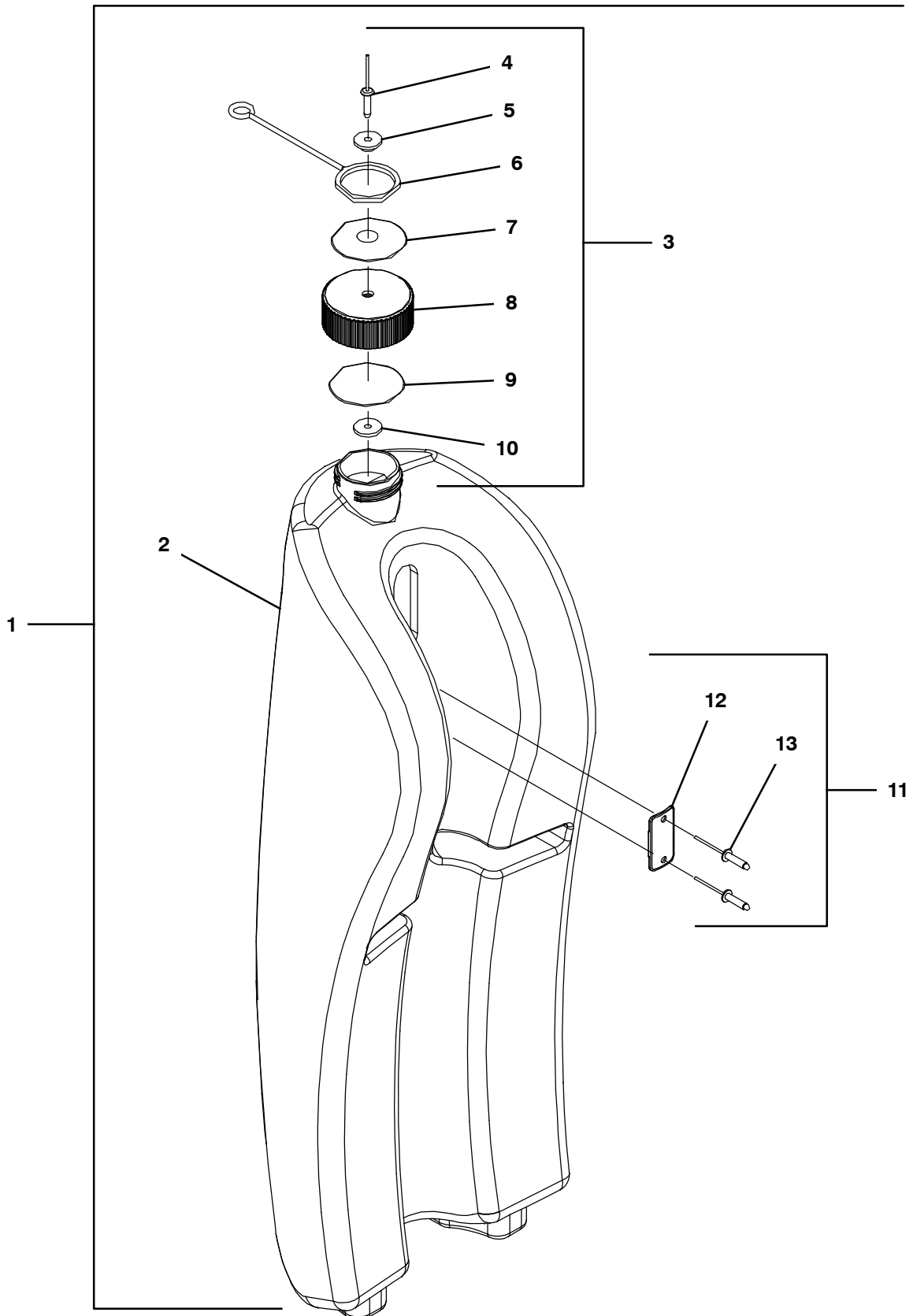
	Ref.	Part No.	Serial Number	Description	Qty.
▽	1	1232514	(300000-	) Tank Assy, Sol [Blue Cap] (Standard)	1
▽	1	1232603	(300000-	) Tank Assy, Sol [Red Cap] (Option)	1
▽	1	1232605	(300000-	) Tank Assy, Sol [Yellow Cap] (Option)	1
▽	1	1232606	(300000-	) Tank Assy, Sol [Green Cap] (Option)	1
▲	2	N/A	(300000-	) Clean Water Compartment	1
▲▽	3	1232663	(300000-	) Cap Kit, Tank, Sol [Blue] (Standard)	1
▲▽	3	1232665	(300000-	) Cap Kit, Tank, Sol [Red] (Option)	1
▲▽	3	1232666	(300000-	) Cap Kit, Tank, Sol [Yellow] (Option)	1
▲▽	3	1232667	(300000-	) Cap Kit, Tank, Sol [Green] (Option)	1
▲▲	4	N/A	(300000-	) Sleeve Cap Holder Clean Tank	1
▲▲	5	N/A	(300000-	) Cap With Hole	1
▲▲	6	N/A	(300000-	) Cap Holder	1
▲▽	7	1232676	(300000-	) Clip, Retaining, Tank	1
▲▲	8	N/A	(300000-	) Holder Plate Clip Clean Tank	1
▲▲	9	N/A	(300000-	) Rubber Cushion For Metal Clip	1
▲▲	10	N/A	(300000-	) Clip, Retaining, Tank	1
▲▲	11	N/A	(300000-	) Nut M4 Nylon Stainless	2
▲	12	1232519	(300000-	) Coupling, Water	1

▽ ASSEMBLY

▲ INCLUDED IN ASSEMBLY

DIRTY WATER TANK ASSEMBLY

355582



## DIRTY WATER TANK ASSEMBLY

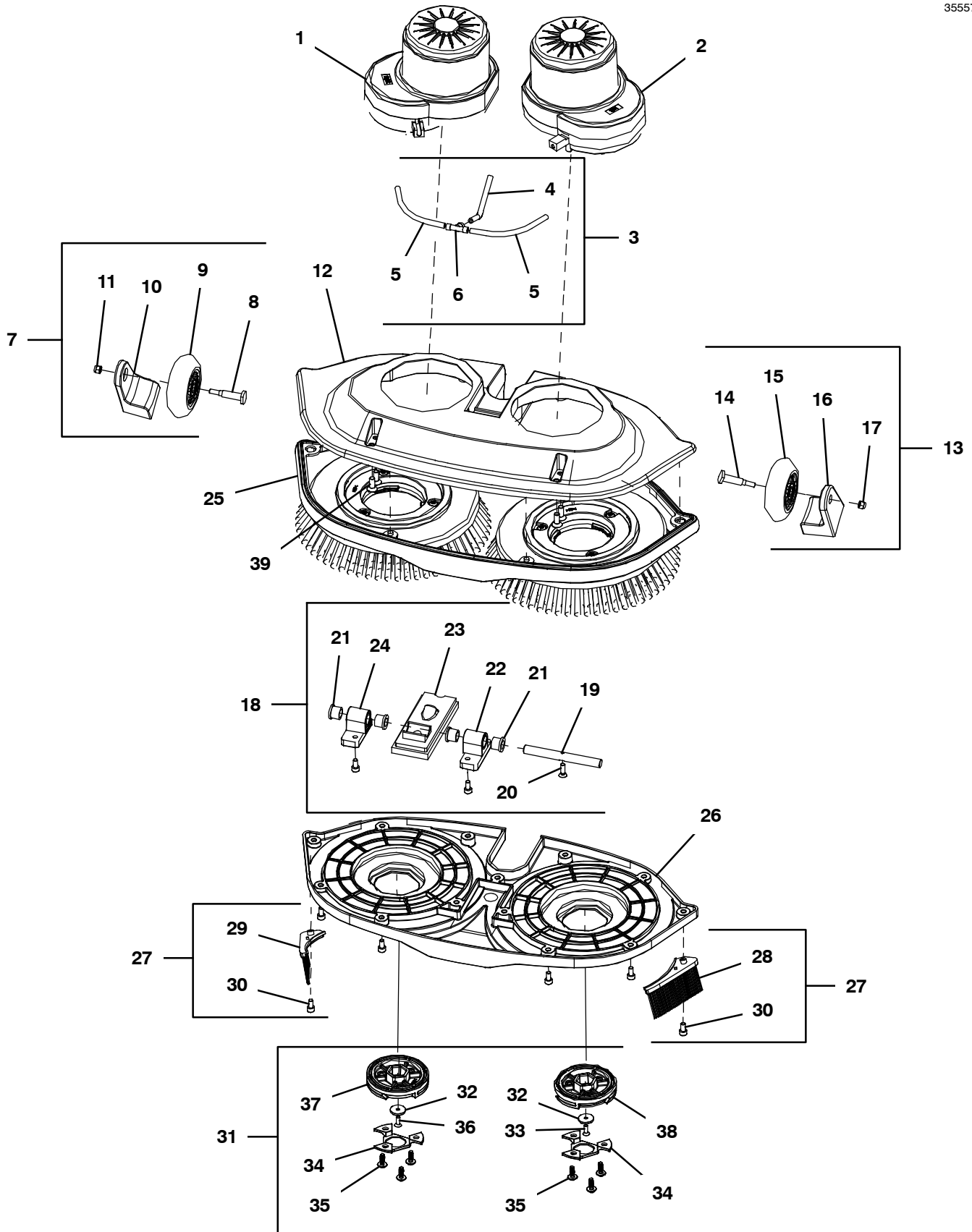
	Ref.	Part No.	Serial Number	Description	Qty.
▽	1	1232599	(300000-	) Tank Assy, Rec	1
▲	2	N/A	(300000-	) Dirty Water Compartment	1
▲▽	3	1232661	(300000-	) Cap Kit, Tank, Rec	1
▲▲	4	N/A	(300000-	) Blind Rivet Nail 4 X 15 Mmg	1
▲▲	5	N/A	(300000-	) Sleeve Cap Holder	1
▲▲	6	N/A	(300000-	) Cap Holder	1
▲▲	7	N/A	(300000-	) Warning Plate On Dirty Tank Round Stainless 4.5mm	1
▲▲	8	N/A	(300000-	) Cap Without Hole	1
▲▲	9	N/A	(300000-	) Sealing Gasket Cap Dirty Tank	1
▲▲	10	N/A	(300000-	) Plastic Washer 9x4x1mm	1
▲▽	11	1232600	(300000-	) Plate, Mtg, Tank	1
▲▲	12	N/A	(300000-	) Fixation Plate Dirt Compartment	1
▲▲	13	N/A	(300000-	) Blind Rivet Nail 4 X 15 Mmg	2

▽ ASSEMBLY

▲ INCLUDED IN ASSEMBLY

SCRUB HEAD ASSEMBLY

355577





## SCRUB HEAD ASSEMBLY

Ref.	Part No.	Serial Number	Description	Qty.
	1	1232579	(300000- ) Motor, Brush, Rh	1
	2	1232582	(300000- ) Motor, Brush, Lh	1
▽	3	1232693	(300000- ) Fitting Assy, Water Channel [Imop]	1
▲	4	N/A	(300000- ) Water Channel Dia. 6mm L:690mm	1
▲	5	N/A	(300000- ) Water Channel Dia. 4mm L:110mm	2
▲	6	N/A	(300000- ) Water Coupling Brush Motor	1
▽	7	1232698	(300000- ) Transport Kit, Caster, Rh	1
▲	8	N/A	(300000- ) Shaft Transport Caster	1
▲	9	N/A	(300000- ) Transport Caster	1
▲	10	N/A	(300000- ) Transport Wheel Pilar Right	1
▲	11	N/A	(300000- ) Nut M5 Nylon	1
	12	1232586	(300000- ) Cover, Motor, Brush	1
▽	13	1232700	(300000- ) Transport Kit, Caster, Lh	1
▲	14	N/A	(300000- ) Shaft Transport Caster	1
▲	15	N/A	(300000- ) Transport Caster	1
▲	16	N/A	(300000- ) Transport Wheel Pilar Left	1
▲	17	N/A	(300000- ) Nut M5 Nylon	1
▽	18	1232714	(300000- ) Hinge Kit, Hd, Brush	1
▲	19	N/A	(300000- ) Chassis Hinge	1
▲	20	N/A	(300000- ) Nylok Screw Counter Sunk Bolt M4x12	1
▲	21	N/A	(300000- ) Bushing Axis 10	4
▲	22	N/A	(300000- ) Brush Unit Hinge Support Left	1
▲	23	N/A	(300000- ) Construction Cover Seal	1
▲	24	N/A	(300000- ) Brush Unit Hinge Support Right	1
	25	1232687	(300000- ) Bumper, Brush	1
	26	1232583	(300000- ) Cover, Brush, Bottom	1
▽	27	1232660	(300000- ) Shield Kit, Splash (Includes Allen Wrench Tool)	1
▲	28	N/A	(300000- ) Splashing Guard Imop Left	1
▲	29	N/A	(300000- ) Splashing Guard Imop Right	1
▲	30	N/A	(300000- ) Nylok Hexagon Socket Head Cap Screw M5x20	2
▽	31	1232675	(300000- ) Cover, Brush, Motor	1
▲	32	N/A	(300000- ) Support Disk Driving Wheel Side Hole Dia 5mm	2
▲	33	1234973	(300000- ) Screw, Flt, Soc, M5 X 18.5 Lh NI [ Imop]	1
▲	34	N/A	(300000- ) Cover Brush Motor Screw Color: Blue	2
▲	35	N/A	(300000- ) Screw Wn 5451 50x14 Ejot Delta Pt	6
▲	36	1234972	(300000- ) Screw, Flt, Soc, M5 X 18.5 NI [10x,Imop]	1
▲	37	N/A	(300000- ) Driving Wheel Bottom Right Color: Gray	1
▲	38	N/A	(300000- ) Driving Wheel Bottom Left Color: Gray	1
	39	1234969	(300000- ) Screw, Flt, Soc, M6 X 16 NI [10x,Imop]	1

▽ ASSEMBLY

▲ INCLUDED IN ASSEMBLY



BRUSH DRIVER ASSEMBLY

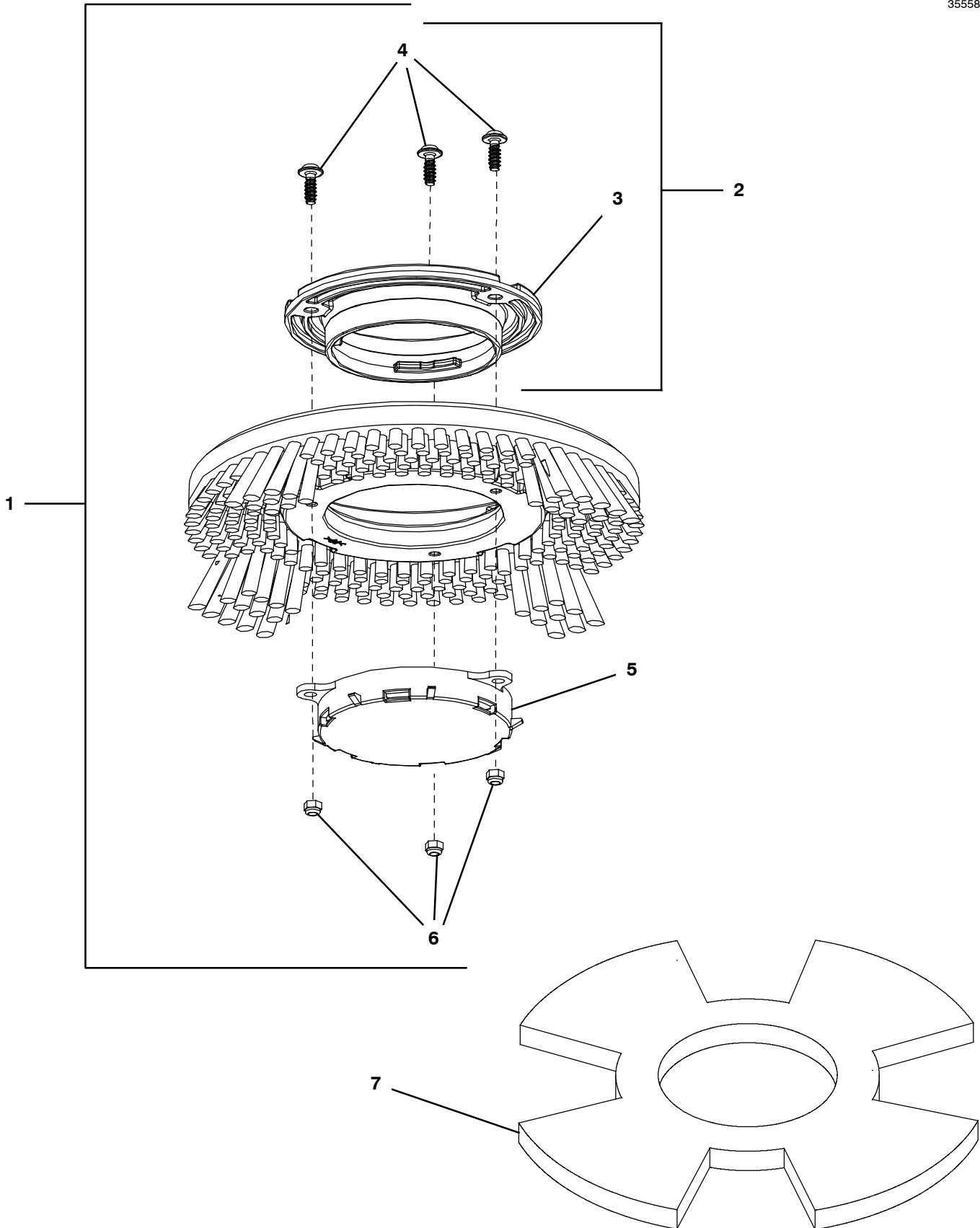
	Ref.	Part No.	Serial Number	Description	Qty.
▽	1	1232578	(300000-	) Brush Kit, [Blue Medium Bristle] (Set of 2) (Standard)	1
▽	1	1232607	(300000-	) Brush Kit, [Red Hard Bristle] (Set of 2) (Option)	1
▽	1	1232608	(300000-	) Brush Kit, [Light Blue Soft Bristle] (Set of 2) (Option)	1
▽	1	1233556	(300000-	) Brush Kit, [Blue Med Bristle W/Grn Lock] (Set of 2) (Option)	1
▽	1	1233557	(300000-	) Brush Kit, [Blue Med Bristle W/Red Lock] (Set of 2) (Option)	1
▽	1	1233559	(300000-	) Brush Kit, [Blue Med Bristle W/Yll Lock] (Set of 2) (Option)	1
▲▽	2	1232620	(300000-	) Driver Kit, Brush [Blue] (Set of 2) (Standard)	1
▲▽	2	1232622	(300000-	) Driver Kit, Brush [Red] (Set of 2) (Option)	1
▲▽	2	1232624	(300000-	) Driver Kit, Brush [Yellow] (Set of 2) (Option)	1
▲▽	2	1232626	(300000-	) Driver Kit, Brush [Green] (Set of 2) (Option)	1
▲▲	3	N/A	(300000-	) Brush Locker Blue (Standard)	2
▲▲	3	N/A	(300000-	) Brush Locker Red (Option)	2
▲▲	3	N/A	(300000-	) Brush Locker Yellow (Option)	2
▲▲	3	N/A	(300000-	) Brush Locker Green (Option)	2
▲▲	4	N/A	(300000-	) Screw Wn 5451 50x14 Ejot Delta Pt	6

▽ ASSEMBLY

▲ INCLUDED IN ASSEMBLY

PAD DRIVER ASSEMBLY

355586



## PAD DRIVER ASSEMBLY

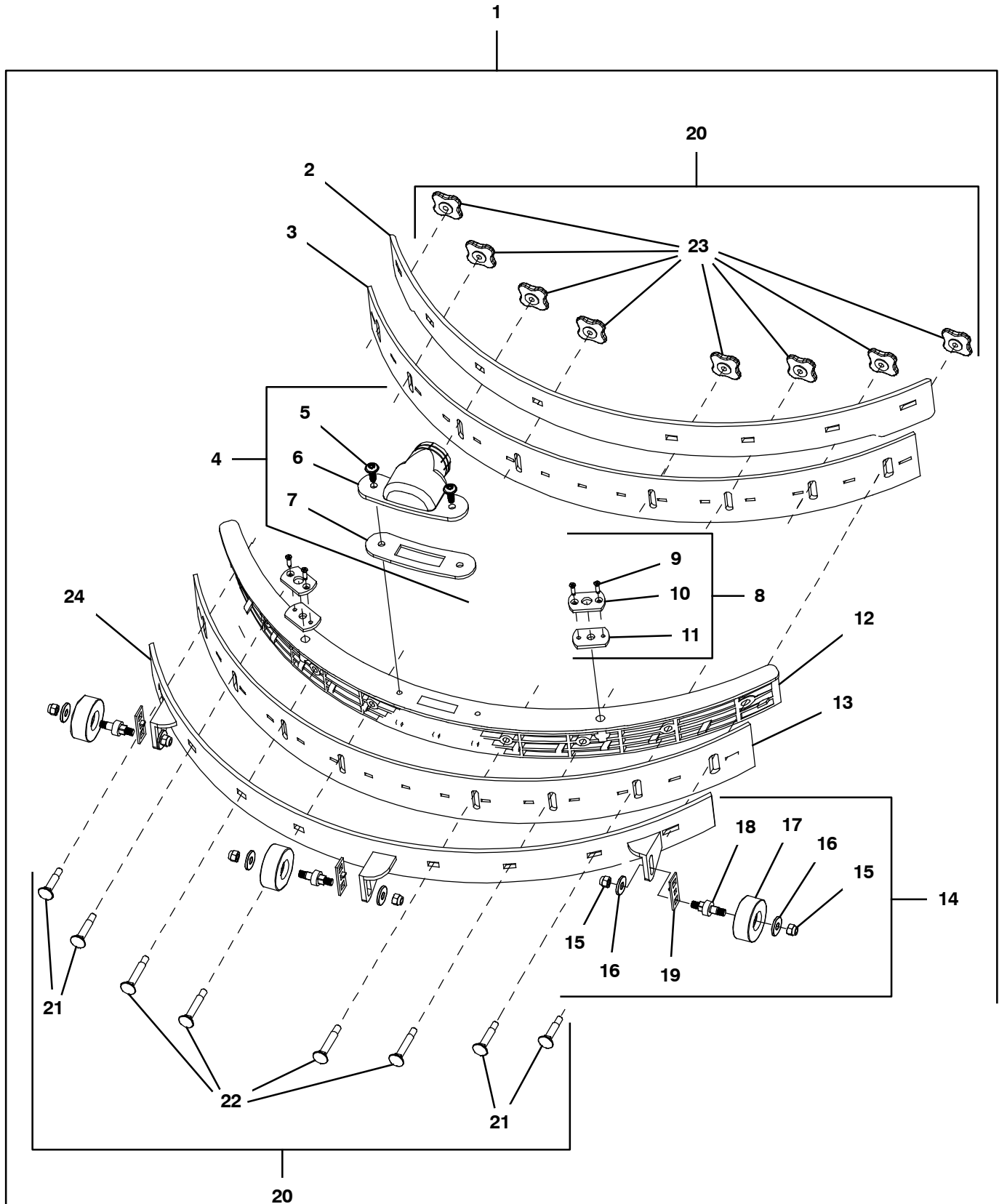
	Ref.	Part No.	Serial Number	Description	Qty.
▽	1	1232613	(300000-	) Pad Kit, Drvr, [Blue] (Set of 2)	1
▲▽	2	1232620	(300000-	) Driver Kit, Brush [Blue] (Standard)	2
▲▽	2	1232622	(300000-	) Driver Kit, Brush [Red] (Option)	2
▲▽	2	1232624	(300000-	) Driver Kit, Brush [Yellow] (Option)	2
▲▽	2	1232626	(300000-	) Driver Kit, Brush [Green] (Option)	2
▲▲	3	N/A	(300000-	) Brush Locker Blue (Standard)	2
▲▲	3	N/A	(300000-	) Brush Locker Red (Option)	2
▲▲	3	N/A	(300000-	) Brush Locker Yellow (Option)	2
▲▲	3	N/A	(300000-	) Brush Locker Green (Option)	2
▲▲	4	N/A	(300000-	) Screw Wn 5451 50x14 Ejot Delta Pt	6
▲	5	N/A	(300000-	) Assy Pad Holder Imop	2
▲	6	N/A	(300000-	) Nut M4 Nylon Stainless	6
	7	1234346	(300000-	) Pad Kit, Red [Box Of 10] (Washing Pad)	1
	7	1234347	(300000-	) Pad Kit, Wht [Box Of 10] (Washing Pad)	1
	7	1234348	(300000-	) Pad Kit, Grn [Box Of 10] (Washing Pad)	1
	7	1234350	(300000-	) Pad Kit, Blue [Box Of 10] (Scrubbing Pad)	1
	7	1234344	(300000-	) Pad Kit, Blk [Box Of 10] (Scrubbing Pad)	1
	7	1232645	(300000-	) Pad Kit, Yellow [Twister] (Diamond Polishing Pad) (Set of 2)	1
	7	1232647	(300000-	) Pad Kit, Orange [Twister] (Diamond Polishing Pad) (Set of 2)	1
	7	1232648	(300000-	) Pad Kit, Blue [Twister] (Diamond Polishing Pad) (Set of 2)	1
	7	1232649	(300000-	) Pad Kit, Green [Twister] (Diamond Polishing Pad) (Set of 2)	1
	7	1232650	(300000-	) Pad Kit, White [Twister] (Diamond Polishing Pad) (Set of 2)	1
	7	1232651	(300000-	) Pad Kit, Red [Twister] (Diamond Polishing Pad) (Set of 2)	1

▽ ASSEMBLY

▲ INCLUDED IN ASSEMBLY

SQUEEGEE ASSEMBLY

355579



## SQUEEGEE ASSEMBLY

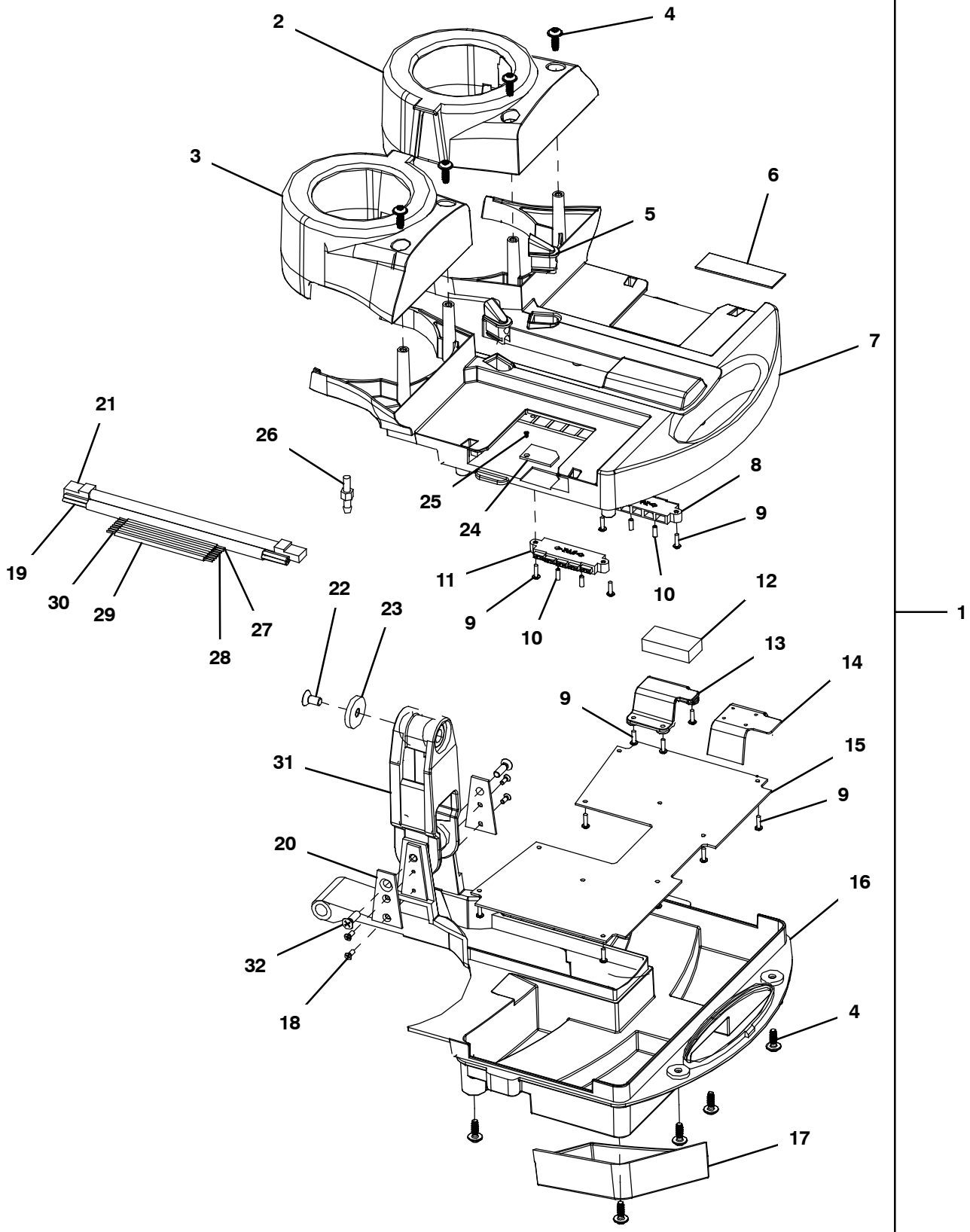
Ref.	Part No.	Serial Number	Description	Qty.
▽	1	1232588	(300000- ) Squeegee Assy, Scrbr	1
▲	2	1234369	(300000- ) Plate, Rear, Squeegee [Imop]	1
▲	3	1232627	(300000- ) Squeegee Kit, Front	1
▲▽	4	1232677	(300000- ) Connector, Hose, Sqge	1
▲▲	5	N/A	(300000- ) Screw Wn 5451 50x14 Ejot Delta Pt	2
▲▲	6	N/A	(300000- ) Squeegee Hose Connector- Up Yellow	1
▲▲	7	1234956	(300000- ) Gasket, Hose, Squeegee [Imop]	1
▲▽	8	1232696	(300000- ) Retaining Kit, Sqge	1
▲▲	9	N/A	(300000- ) M3x10 Countersunk Self Tap Screw	4
▲▲	10	1234947	(300000- ) Plate, Mtg, Sqge [Blue, Imop]	2
▲▲	11	N/A	(300000- ) Washer, Rbr, Sqge [Black, Imop]	2
▲	11	1234948	(300000- ) Washer, Rbr, Sqge [Black, Imop, Qty 100]	1
▲	12	1234368	(300000- ) Plate, Top, Squeegee [Imop]	1
▲	13	1232629	(300000- ) Squeegee Kit, Rear (Standard)	1
	13	1232635	(300000- ) Squeegee Kit, Rbr, Oil- Rstn (Option)	1
▲▽	14	1232673	(300000- ) Caster Assy, Sqge (Also Includes Item #8)	3
▲▲	15	N/A	(300000- ) Nut M5 Nylon	6
▲▲	16	N/A	(300000- ) M5 Washer Stainless Steel 5x15x1mm	6
▲▲	17	N/A	(300000- ) Squeegee Castor Gray Dia 8mm	3
▲▲	18	N/A	(300000- ) Shaft Squeegee Castor Dia 8mm	3
▲▲	19	N/A	(300000- ) Height Adjustment Plate	3
▲▽	20	1232688	(300000- ) Knob Kit, Retainer, Sqge	1
▲▲	21	N/A	(300000- ) M5 Screw Bolt, Thread Length 30	4
▲▲	22	N/A	(300000- ) M5 Screw Bolt, Thread Length 35	4
▲▲	23	N/A	(300000- ) Plastic Nut Squeegee	8
▲	24	1234358	(300000- ) Plate, Rear, Sqge [Wheel Side Imop]	1

▽ ASSEMBLY

▲ INCLUDED IN ASSEMBLY

MAIN LEVER ASSEMBLY

355585





## MAIN LEVER ASSEMBLY

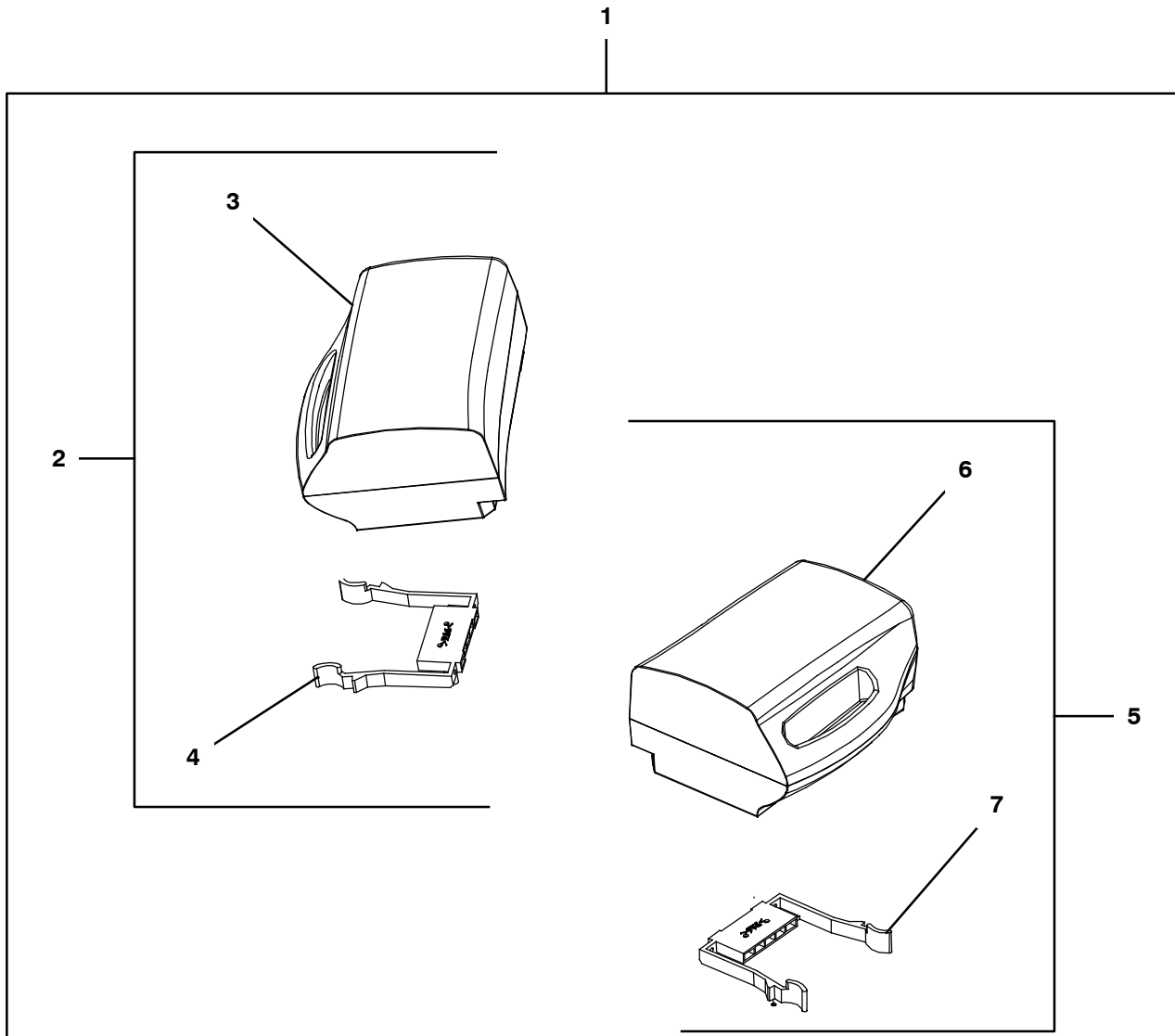
Ref.	Part No.	Serial Number	Description	Qty.
▽	1	1232589	(300000- ) Lever Assy, Handle	1
▲	2	N/A	(300000- ) Brush Motor Cooling Cover Right Color: White	1
▲	3	N/A	(300000- ) Brush Motor Cooling Cover Right Color: White	1
▲	4	N/A	(300000- ) Screw Wn 5451 50x14 Ejot Delta Pt	12
▲	5	N/A	(300000- ) Pcb Machine Seal	2
▲	6	N/A	(300000- ) Sticker Imop [Strong Magnets]	1
▲	7	N/A	(300000- ) Main Lever Cover Color: White	1
▲	8	N/A	(300000- ) Battery Connector Male Right Color: Gray	1
▲	9	N/A	(300000- ) Screw Wn 5451 25x10 Ejot Delta Pt	16
▲	10	N/A	(300000- ) Alignment Pin Longer Version	4
▲	11	N/A	(300000- ) Battery Connector Male Left Color: Blue	1
▲	12	N/A	(300000- ) Magnet Top Unit 40x20x10mm	1
▲	13	N/A	(300000- ) Magnet Top Unit Holder Color: Gray	1
▲	14	N/A	(300000- ) Steel Cover Isolation Magnet T=3mm	1
▲	15	1232670	(300000- ) Circuitboard, Cntrl, Bat	1
▲	16	1234954	(300000- ) Housing, Lever, Main [Imop]	1
▲	17	N/A	(300000- ) Bottom Name Plate + Laser Print Tennant	1
▲	18	1234971	(300000- ) Screw, Flt, Soc, M3 X 8 Ss NI [10x,Imop]	1
▲	19	N/A	(300000- ) Power Cable 3 Wires [1.5mm 2 L=630mm]	1
▲	20	1234955	(300000- ) Plate, Sppt, Lever (2pc) [Imop]	2
▲	21	1234977	(300000- ) Cable, Utp, 60cm L [Connector Be, Imop]	1
▲	22	N/A	(300000- ) Counter Sunk Head Cap Screw M6x20 w/ Nylok Glue	1
▲	23	N/A	(300000- ) Cardian Disk	1
▲	24	N/A	(300000- ) Cover Usb Update Slot Color: White	1
▲	25	N/A	(300000- ) Screw Counter Sunk M1.7x6	1
▲	26	N/A	(300000- ) Squeegee Fixation Pin	2
▲	27	N/A	(300000- ) Male Connector + Wires 14awg Red 150mm	2
▲	28	N/A	(300000- ) Male Connector + Connector Wires 14awg Black 150mm	2
▲	29	N/A	(300000- ) Wires For Brush Unit 14awg Black L=280mm	2
▲	30	N/A	(300000- ) Wires For Brush Unit 14awg Red L=280mm	2
▽	31	1232590	(300000- ) Hinge Assy, Lever	1
▲	32	1234976	(300000- ) Screw, Flt, Soc, M5 X 16 NI [10x, Imop]	1

▽ ASSEMBLY

▲ INCLUDED IN ASSEMBLY

BATTERY PACK ASSEMBLY

355583



## BATTERY PACK ASSEMBLY

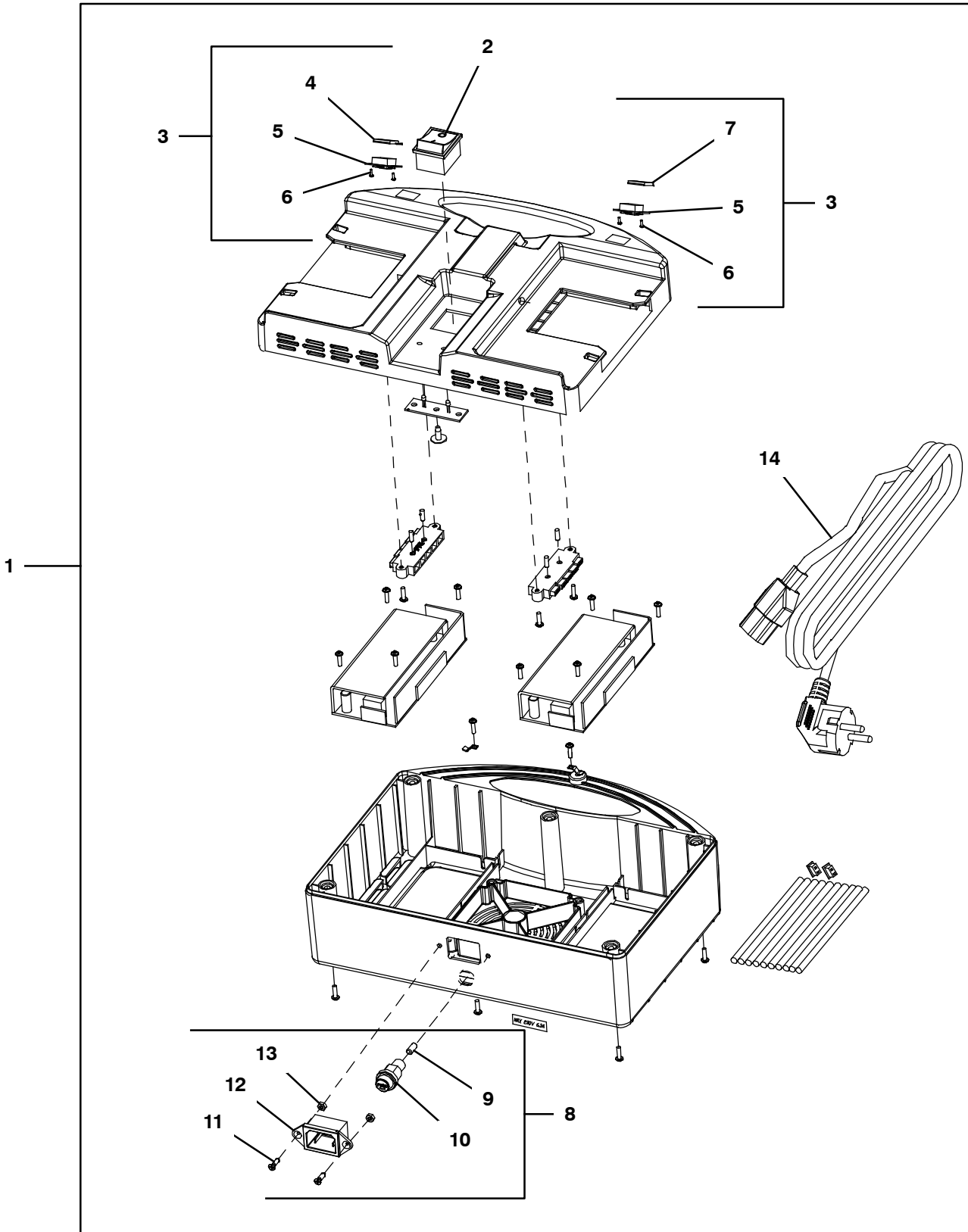
	Ref.	Part No.	Serial Number	Description	Qty.
▽	1	1232100	(300000-	) Battery Kit [I- Mop Left & Right]	1
▲▽	2	1232596	(300000-	) Battery, Pack, Rh	1
▲▲	3	N/A	(300000-	) Battery Pack Gray [Right]	1
▲▲	4	1232598	(300000-	) Connector, Bat, Fem, Rh (Color: Gray)	1
▲▽	5	1232544	(300000-	) Battery, Pack, Lh	1
▲▲	6	N/A	(300000-	) Battery Pack Blue [Left]	1
▲▲	7	1232545	(300000-	) Connector, Bat, Fem, Lh (Color: Blue)	1

▽ ASSEMBLY

▲ INCLUDED IN ASSEMBLY

BATTERY CHARGER ASSEMBLY

355580



## BATTERY CHARGER ASSEMBLY

	Ref.	Part No.	Serial Number	Description	Qty.
▽	1	1232547	(300000-	) Charger, Bat (3pin)	1
▲	2	1232564	(300000-	) Switch, Chrgr	1
▲▽	3	1232712	(300000-	) Light, Voltage	1
▲▲	4	N/A	(300000-	) Transparent Cover Voltage Display Right	1
▲▲	5	N/A	(300000-	) Voltage Display With Percentage	2
▲▲	6	N/A	(300000-	) Screw M2x5 Cross Head Self Tapping	4
▲▲	7	N/A	(300000-	) Transparent Cover Voltage Display Left	1
▲▽	8	1232713	(300000-	) Receptacle Kit, Chrgr	1
▲▲	9	N/A	(300000-	) Fuse 6.3a	1
▲▲	10	N/A	(300000-	) Fuse 6.3a Base	1
▲▲	11	N/A	(300000-	) Countersunk Screw M3x15	2
▲▲	12	N/A	(300000-	) Recept Inlet 3p + Two Screw Holes Cb 3pin	1
▲▲	13	N/A	(300000-	) Nut M3 Nylon	2
▲	14	1232546	(300000-	) Cord, Power (UI 3 Pin) (Standard)	1
	14	1233924	(300000-	) Cord, Power [UI 3 Pin, 11 Meters Lg] (Optional)	1

▽ ASSEMBLY

▲ INCLUDED IN ASSEMBLY

ELECTRICAL DIAGRAM

