



JC3000

USER MANUAL

Vertical Cold Press Juicer

LOW SPEED MASTICATING JUICER

GUIDE DE L'UTILISATEUR

Extracteur de Jus à Pressage à Froid Vertical

EXTRACTEUR DE JUS À MASTICATION À FAIBLE VITESSE

MANUAL DEL USUARIO

Extractor Vertical de Jugos de Prensado en Frío

BAJA VELOCIDAD, EXTRACTOR DE JUGOS POR TRITURACIÓN



Omega®

Thank You _____	2
Important Safeguards _____	3-4
Know Your Omega _____	5
Quick Start Assembly _____	6
How to Assemble _____	7
Directions for Use _____	8
Cleaning _____	9
Precautions for Safe Use _____	10-12
If the Auger Stops Working _____	13
Important Hints & Tips _____	14
Troubleshooting _____	15
Product Specifications _____	16
Benefits of Juicing _____	18-32
Recipes _____	34-47
French _____	48-93
Spanish _____	94-140







THANK YOU!

CONGRATULATIONS on the purchase of your new Omega® Cold Press 365®.

At Omega, we strive to develop technologically advanced machines that help deliver nutrition and flavor of the highest kind and closest to nature's purest form. We are driven by you, our brand supporters. Your enthusiasm helps us continue to reinvent and renew our line of juicers, high speed blenders and beverage equipment. Our team at Omega thanks you for supporting us for over 50 years!

Join us on:

INSTAGRAM @OmegaJuicing

FACEBOOK @OmegaJuicers

PRODUCT REGISTRATION, VISIT:

www.omegajuicers.com/omega-warranty-registration

RECIPES, VISIT:

www.omegajuicers.com/recipes

CUSTOMER SERVICE:

Visit: www.omegajuicers.com

After using your Omega, we kindly ask you to rate the machine on www.OmegaJuicers.com

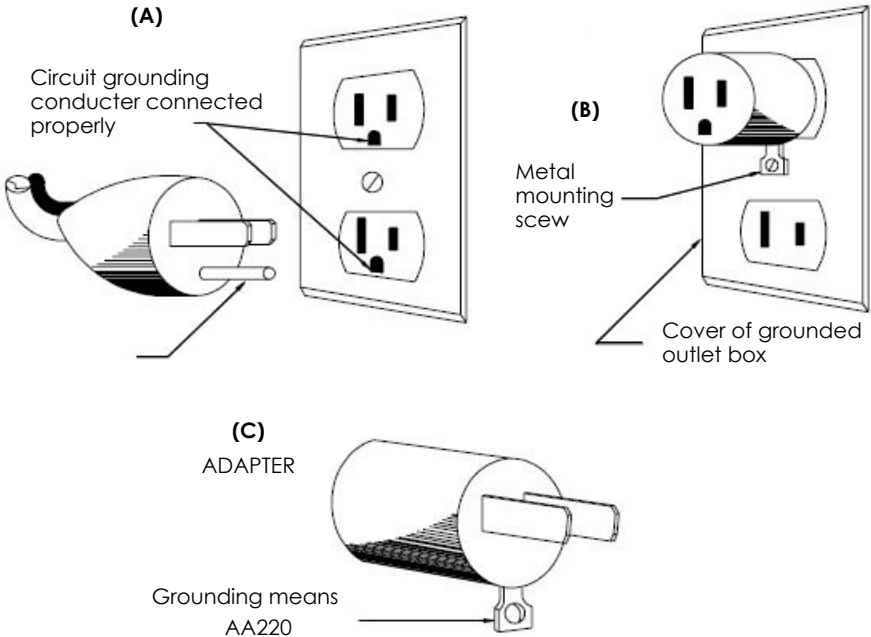


IMPORTANT SAFEGUARDS

WARNING: GROUNDING INSTRUCTIONS

This appliance must be grounded while in use to protect the operator from electrical shock. The appliance is equipped with a 3-conductor cord and a 3-prong grounding-type plug to fit the proper grounding-type receptacle. The appliance has a plug that looks like **sketch A** in **Figure 73.1**. An adaptor, **sketch B**, should be used for connecting **sketch A** plugs to two-prong receptacles. The grounding tab which extends from the adaptor must be connected to a permanent ground such as a properly grounded outlet box as shown in **sketch C** using a metal screw.

FIGURE 73.1
Grounding Methods



IMPORTANT SAFEGUARDS

When using electrical appliances, basic safety precautions should always be followed including the following.

1. READ ALL INSTRUCTIONS BEFORE USING.
2. To protect against electrical shock, do not immerse cord, plug, or main body (motor) in water or other liquid.
3. The appliance is not intended for use by persons (including children) with reduced physical, sensory, or mental capabilities, or lack of experience and knowledge, unless they are closely supervised and instructed concerning use of appliance by a person responsible for their safety. Close supervision is necessary when any appliance is used by or near children. Children should be supervised to ensure that they do not play with the appliance.
4. Be sure appliance is off and unplugged when not in use or prior to assembly/disassembly or cleaning.
5. Avoid contact with moving parts. Unplug from outlet when not in use, before putting on or taking off parts, and before cleaning.
6. Do not operate the appliance if the cord or any parts are damaged. Contact us at www.OmegaJuicers.com.
7. The use of attachments not recommended or sold by manufacturer may cause fire, electric shock or injury.
8. Do not let cord hang over edge of table or counter or touch heated surfaces.
9. Always make sure juicer cover is clamped securely in place before motor is turned on. Do not unfasten clamps while juicer is in operation.
10. Be sure to turn switch to OFF position after each use of your juicer. Make sure the motor stops completely before disassembling.
11. Do not put your fingers or other objects into the juicer while it is in operation. If food becomes lodged in opening, use food pusher or another piece of fruit or vegetable to push down the lodged food. When this method is not possible, turn off the machine, remove the plug from wall outlet and disassemble juicer to remove the remaining food.
12. Do not use outdoors.
13. Do not place on or near a hot gas or electric burner or in a heated oven.
14. Do not use appliance for anything other than its intended use.
15. Keep hands and utensils away from moving blades or discs while processing food to reduce the risk of severe injury to persons or damage to the food processor. A scraper may be used but must be used only when the food processor is not running.
16. Blades are sharp. Handle carefully.
17. Keep the appliance clean. Refer to the Care & Cleaning instructions in this manual.
18. DO NOT plug in until familiar with all the instructions and operating procedures.
19. DO NOT unplug from electrical outlet by pulling on the cord. To unplug, grasp the plug, not the cord, and pull.
20. Turn off all controls before unplugging from or plugging into an electrical outlet.
21. This appliance can not grind meat.
22. Check hopper for presence of foreign objects before using.
23. Moving parts – Keep fingers out of discharge openings.
24. Sharp blade – Always use food pusher.
25. Rated operating time – Less than 10 minutes.

SAVE THESE INSTRUCTIONS

KNOW YOUR OMEGA



A Pusher

B Hopper

C Feed Chute

D Safety Locking System

E Juice Screen

F Juice Bowl

G Pulp Outlet

H Juice Spout with Flap

I Digital Screen

J 2 Speed Function (slow & Fast)

K Reverse Function

L On/Off

M Sturdy Nonslip Feet

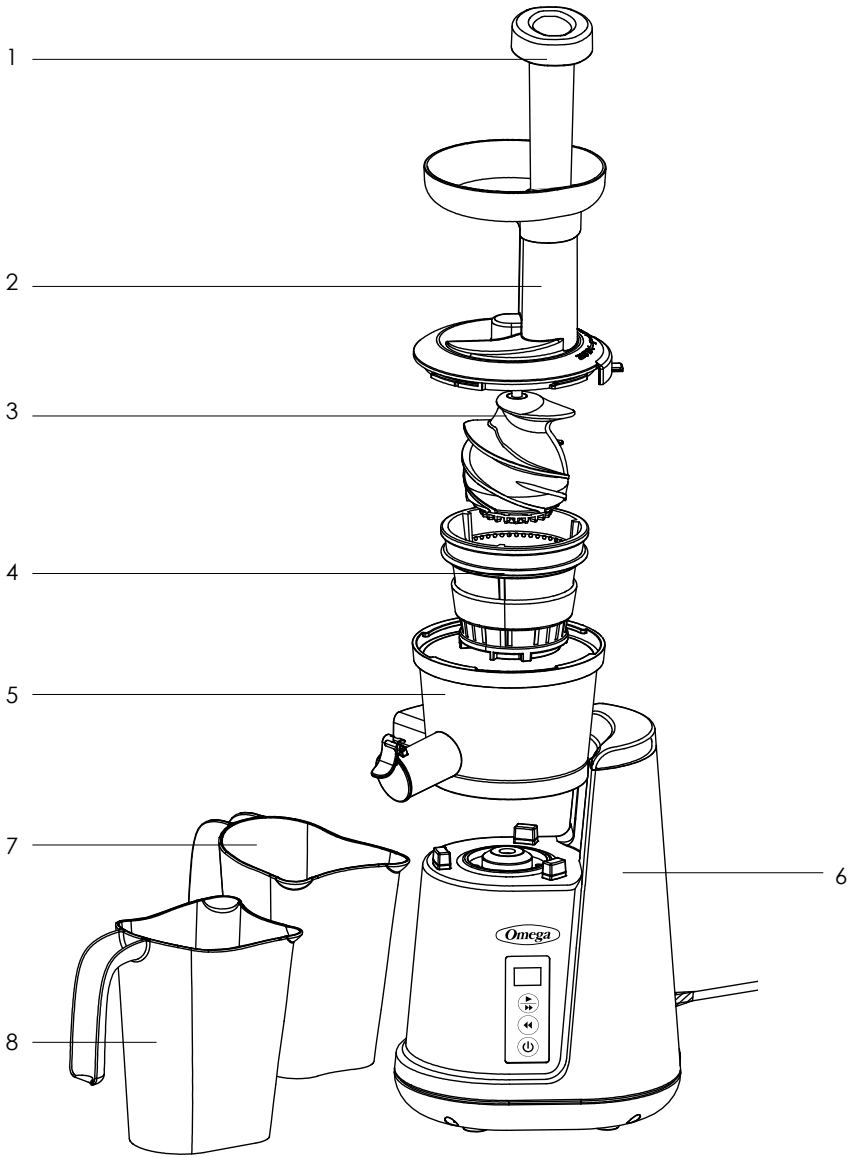
N Auger

O Juice Container

P Pulp Container

NOT PICTURED Cleaning Brush

QUICK START ASSEMBLY



1 Pusher

2 Feed Chute

3 Auger

4 Juice Screen

5 Juice Bowl

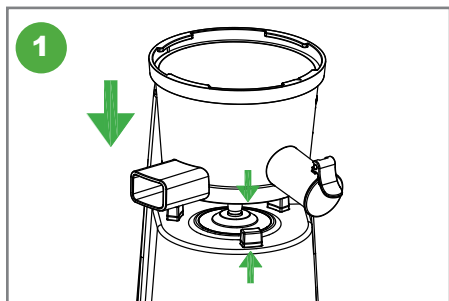
6 Base

7 Pulp Container

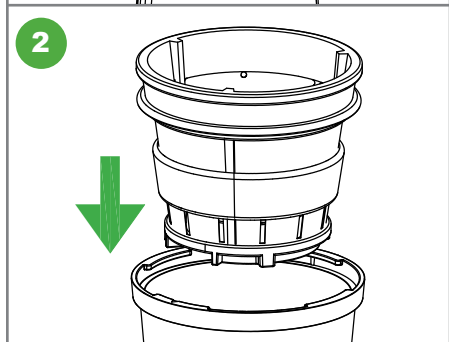
8 Juice Cup

HOW TO ASSEMBLE

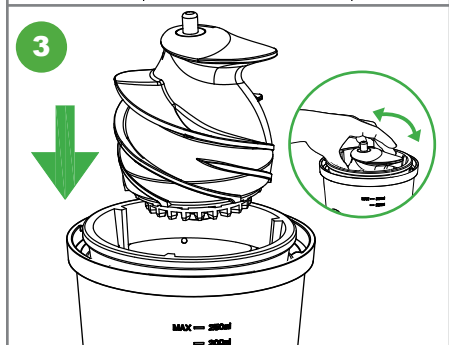
Before the first use of product, please completely clean the components contacting ingredients.



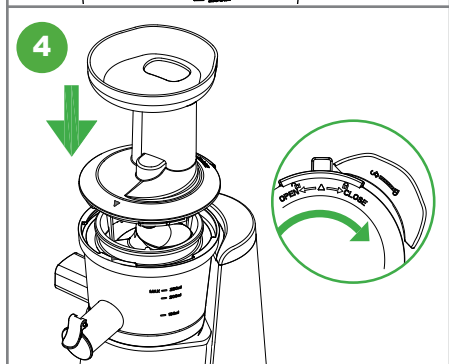
Place juice bowl onto the motor base making sure it is aligned with the column of main engine.



Place the screen into the juice bowl, lining up the red dots, push down until fully inserted



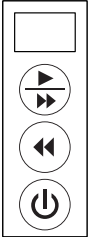
Next place the auger inside the screen. Turn it left and right making sure it's properly inserted.



Place the hopper onto the juice bowl. Turn the hopper clockwise until it is locked completely.

DIRECTIONS FOR USE

1

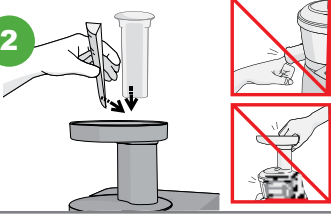


[LO] low speed
[HI] high speed

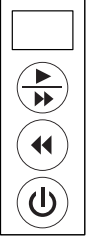
[REV] reverse

On/Off

2



3





[LO] low speed
[HI] high speed

[REV] reverse


On/Off

Press “” to turn on.

Press “” once for default high speed setting for firmer fruits & vegetables.

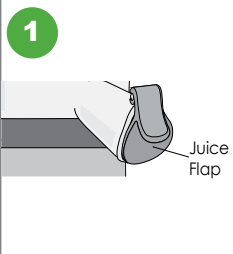
or Press “” twice for low speed setting for softer fruits & vegetables.

Gradually put the ingredients into the hopper chute and press down with the pusher.

After the extraction is complete, press “” to turn off. Please note that the juicer will automatically run in reverse briefly before turning off.

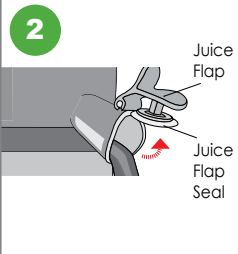
JUICE FLAP

1



Juice Flap

2



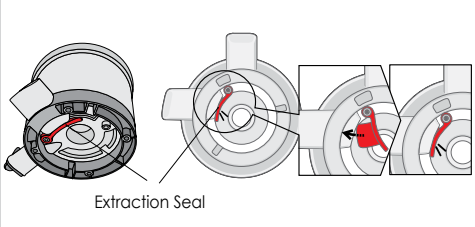
Juice Flap

Juice Flap Seal

To mix different juices close the juice flap while juicing. Be sure not to go over the “MAX” line.

To release juice, open the flap and dispense into juice container. If you want to mix additional juice, close the flap again and continue juicing in the same manner.

EXTRACTION SEAL



Extraction Seal

The extraction seal is located at the bottom of the Juice Bowl. Before use, make sure the seal is closed. For cleaning, open the extraction seal and wash out trapped food.

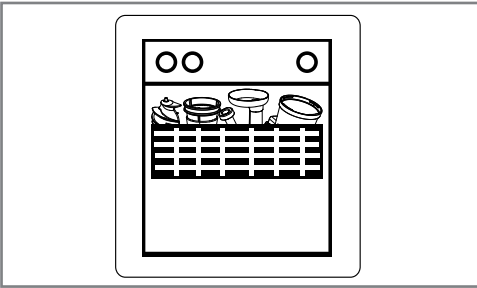
CLEANING

DAILY CLEANING



It is important to always scrub all sides and surfaces of your juicing parts with warm water, liquid dish soap and a scrubbing brush after each use to remove minerals and debris.

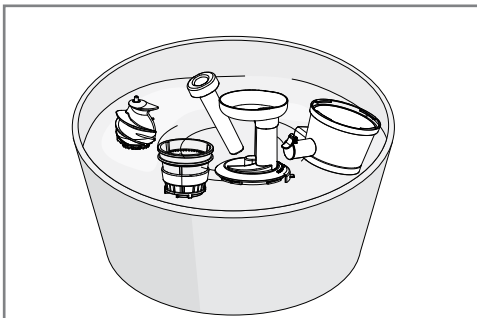
EASY CLEANING SYSTEM



When juicing is done, removable parts may be washed in the top rack of the dishwasher.

Make sure water doesn't extend past 140 F°.

DEEP CLEANING



A deep cleaning should be done approximately once per month, or as needed depending on frequency of use. To do a deep clean you will need a one gallon bowl filled with warm water and approximately one cup of liquid dishwasher soap which specifically states that it removes mineral buildup.

Let the parts soak for half an hour then thoroughly rinse and completely dry. Make sure water doesn't extend past 140 F°.

PRECAUTIONS FOR SAFE USE

All users of this appliance must read and understand these safety precautions before operating.

SIGN SAMPLES



This sign indicates contents that may cause risk of a fire or an electrical shock. Specific warning is written in the sign.



This sign indicates contents that may cause risk of a fire or an electrical shock. Specific warning is written in the sign.



This sign indicates prohibited acts.

Specific prohibitions are written around or in the sign.



This sign indicates contents of regulating or directing actions.

Specific prohibitions are written around or in the sign.

PRECAUTIONS



WARNING

Hazards or unsafe practices which could result in serious personal injury or death.



CAUTION

Hazards or unsafe practices which could result in minor personal injury or appliance damage.



DO NOT PLUG IN OR UNPLUG WITH WET HANDS.

It may cause an electric shock or an injury.



DO NOT USE WITH OTHER THAN RATED VOLTAGE.

It may cause an electric shock, a fire or abnormal performance.

If the voltage is different, it may shorten the life of the motor or cause a failure.



PLUG THE POWER CORD CORRECTLY AND PUSH IT TIGHT IN A WALL SOCKET.

It may cause electric shock or a fire.



IF THE SUPPLY CORD IS DAMAGED, IT MUST BE REPLACED BY THE MANUFACTURER, ITS SERVICE OR SIMILARLY QUALIFIED PERSONS IN ORDER TO AVOID A HAZARD.



NEVER ALTER THE APPLIANCE. ALSO, DO NOT DISASSEMBLE OR REPAIR BY YOURSELF. DO NOT INSERT FINGERS, FOREIGN SUBSTANCES OR OBJECTS SUCH AS PINS INTO GAPS OR HOLES IN THE BASE.

It may cause a fire, an electric shock or a failure. For any technical support, contact the authorized local Customer Care Center.

PRECAUTIONS FOR SAFE USE



DO NOT MOISTEN THE BASE OR SPLASH WATER ON THE BASE.

Be careful not to let any liquids or other substances get into the switch on the appliance. **DO NOT OPERATE THE SWITCH WITH WET HANDS.** It may cause electric shock or a fire.



WHEN THE POWER CORD, WIRE IS BROKEN OR DAMAGED OR THE PLUG-IN PART BECOMES LOOSE, DO NOT OPERATE IT.

It may cause an electric shock, a fire or an injury.



FOR SAFETY, MUST DO GROUND CONNECTION DO NOT DO THE GROUNDING ON GAS PIPE, PLASTIC WATER PIPE, TELEPHONE WIRE, ETC.

It could cause an electric shock, a fire, or a malfunction and an explosion. Be sure to use the socket with ground connection.



NEVER DISASSEMBLE BOWL SET DURING OPERATION OR INSERT FINGERS, FOREIGN OBJECTS SUCH AS FORKS, SPOONS ETC. INTO FEEDING TUBE OR JUICE OUTLET.

It may cause an injury, an accident or a failure.



THIS APPLIANCE IS NOT INTENDED FOR USE BY PERSONS (INCLUDING CHILDREN) WITH REDUCED PHYSICAL, SENSORY OR MENTAL CAPABILITIES, OR LACK OF EXPERIENCE AND KNOWLEDGE, UNLESS THEY HAVE BEEN GIVEN SUPERVISION OR INSTRUCTION CONCERNING USE OF THE APPLIANCE BY A PERSON RESPONSIBLE FOR THEIR SAFETY.

Children should be supervised to ensure that they do not play with the appliance.



DO NOT OPERATE WITHOUT LOCKING THE HOPPER PROPERLY.

It may cause an injury or a failure.



WHEN DETECTING A GAS LEAK, DO NOT INSERT THE POWER CORD INTO ITS SLOT. OPEN THE WINDOW TO VENTILATE FULLY AND IMMEDIATELY.

It may cause an injury or a failure.



IF SCREW ROTATION IS STOPPED IN NORMAL OPERATION, PRESS [REVERSE/REV] BUTTON AND HOLD FOR 2~3 SECONDS AND THEN AFTER REVERSE OPERATION IS COMPLETELY STOPPED, PRESS [ON] BUTTON AGAIN.

If such a stop event continues during the operation, the parts may be damaged and performance may be deteriorated due to overheating in a motor. When the problem continues, immediately stop the appliance and contact the local Customer Care Center.



NEVER PUT A FINGER, A FORK OR A SPOON ETC. INTO JUICE OUTLET.

It may cause an injury or a failure.

PRECAUTIONS FOR SAFE USE



DURING THE OPERATION, DO NOT ATTEMPT TO MOVE THE BASE, DISASSEMBLE THE BOWL SET OR PARTS AND TRY TO LOCK THEM.

It may cause an injury or a failure. Any act of event needed, switch off first and unplug the power cord.



WHEN USING THE APPLIANCE, BE CAREFUL FOR A NECKTIE, LONG NECKLACE, SCARF ETC. NOT TO BE ENTANGLED INTO FEEDING TUBE.

It may cause an injury, a failure or a breakage.



PLACE THE APPLIANCE ON A FLAT AND STABLE SURFACE.

It may cause an injury or a failure.



DO NOT OPERATE THE APPLIANCE FOR MORE THAN 10 MINUTES AT A TIME.

It may cause a motor failure due to overheating. Cool it down sufficiently for 5 minutes and operate it again.



WHEN PLACING INGREDIENTS INTO THE FEEDING TUBE, ONLY USE THE PUSHER PROVIDED.

It may cause an injury or a failure.



DO NOT ALLOW A SEVERE SHOCK TO THE APPLIANCE OR DROP IT.

It may cause an electric shock, a fire or damage



IF THE APPLIANCE GIVES OFF AN UNPLEASANT SMELL OR EXCESSIVE HEATING, SMOKE, STOP USING IMMEDIATELY AND CONTACT THE LOCAL CUSTOMER CARE CENTER.

When using a new appliance, it gives off a smell and the smell disappears naturally over time.



ALWAYS UNPLUG THE APPLIANCE AFTER USE. WHEN UNPLUGGING THE POWER CORD, MAKE SURE TO HOLD THE POWER CORD.

If holding the wire to unplug, it may cause an electric shock or a fire.



DO NOT WASH AT HIGH TEMPERATURES OF 140°F (60°C) OR MORE. DO NOT PUT THE APPLIANCE IN A DISHWASHER, A DRYER OR A MICROWAVE ETC.

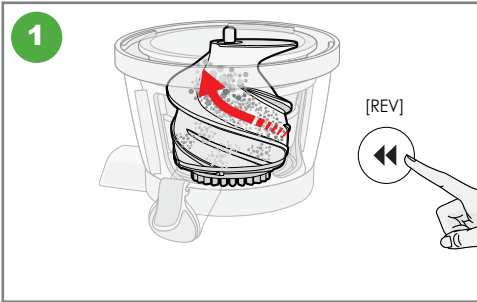
It may cause a failure or parts deformation.



THE APPLIANCE WEIGHS ABOUT 7.7 LB (3.5 KG). WHEN MOVING THE APPLIANCE, ENSURE TO MOVE IT HOLDING GRIPS TIGHTLY AT THE BASE BOTTOM WITH BOTH HANDS.

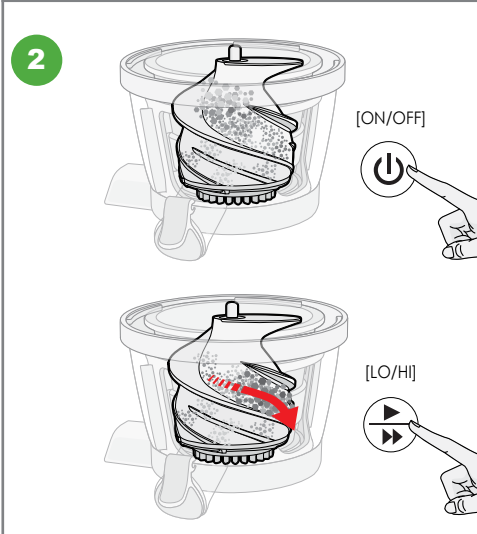
If attempting to hold bowl or the edge of the base, the base falls causing an injury or a failure.

IF THE AUGER STOPS WORKING



Press [Rev] button for 3 to 5 seconds, then release. When the [Rev] button is released, the auger will stop rotating. Repeat this 2 to 3 times.

The [Rev] button pushes the ingredients upward releasing the food clog.



Press [ON/OFF] button and select a speed to start. When using [ON] or [REV] button, make sure the auger stops completely after stopping or releasing the button.

Note:

Even after following the directions above, if the juicer still doesn't work, please unplug the power cord, disassemble the chamber set and clean it. Then try again.

IMPORTANT HINTS & TIPS

- **Use caution when juicing the following ingredients:**

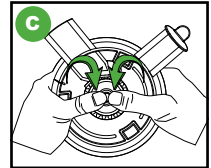
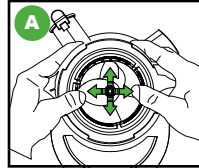
- Fruits with seeds that are hard to chew should be pitted before extraction. Fruits such as plums, peaches, and apricots.
- Stalk vegetables with strong fiber should be cut into smaller sizes of 1 to 2 inches before placing in the hopper. Vegetables such as water parsley, celery, etc.
- Do not use sesame, coffee beans, bark of a tree, Chinese pepper, etc. which cannot be extracted.
- Do not use fruits preserved in alcohol, sugar, honey, etc. It may cause damage or failure.

- **When juicing celery follow these steps:**

1. When juicing celery keep the juice flap open and do not use more than 1lb. of fresh celery stalks at one time.
2. Because celery contains a lot of minerals and fiber, the pulp may become lodged in the auger and filter basket after a lot of celery is juiced.

To remove the pulp:

- A) Remove the auger, filter basket and juice bowl from the main base and place into the sink
- B) Use a gentle shaking motion to dislodge pulp from the auger and filter basket
- C) Turn the juice bowl upside down and gently push down on the center of the auger



- Do not re-squeeze residue expelled through pulp outlet, except for soft fruits. Soft fruits can be re-squeezed.
- Do not use appliance to grind grains. It may cause damage or failure.
- We recommend you drink juice immediately after extraction.
- Do not use the appliance for more than 10 minutes continuously. It may cause failure due to overheating of the motor.
- It is important to thoroughly clean all parts with your cleaning brush, warm water, and dishwashing liquid to remove minerals and debris after each use.
- Do not attempt to open the juicing while in use. Be sure the juicer is turned off with no motion or dripping juice should the top cover need to be opened.
- To release any built-up pulp, use the Reverse Function for 5 seconds.
- This juicer is not intended to juice grasses, such as wheatgrass.
- If the machine is not used for 10 minutes or has a power overload, it will automatically shut off.
- Settings:
 - "High" setting is for firm vegetables and fruit.
 - "Low" setting is for soft vegetables and fruit.

TROUBLESHOOTING

Please troubleshoot using the details below before contacting Omega Customer Service for repair or service. When contacting Omega for after-sales service, please have the manufacturer's serial number or bar code available.

The Appliance Does Not Work

- Make sure the power cord is plugged in correctly.
- Make sure the hopper is assembled correctly. If the hopper is not locked into place, the appliance will not operate.
- Make sure the appliance is assembled according to the instructions in this manual. Refer to the instructions.
- If the appliance still does not work, please contact Omega Customer Service for additional support.

The Hopper Does Not Open

- If there is a lot of pulp inside the chamber, press [On] to release the excess pulp.
- Check the appliance for any foreign substance or solid objects including seeds.
- Press [Rev] button to push up stuck ingredients.
- Do not attempt to open by force. If the hopper still does not open, please contact Omega Customer Service for additional support.

The Appliance Stops During Normal Operation

- Check for large pieces of food stuck in the appliance.
- Refer to the manual "If the Auger Stops Working" and follow the guideline for the [Rev] button.
- If the appliance still does not work, please contact Omega Customer Service for additional support.

Fine Lines or Scratch Marks around the Auger

- This is normal. Do not be concerned. These are molding marks resulting from the normal manufacturing process.

Juice Leaks Over the Base

- Check for an excessive amount of ingredients in the hopper chute.
- If you try to juice a large amount of food compared to the pulp outlet, the packing will be slightly pushed away. Juice may leak out of the gap.
- Do not force too much food into the juicer. Push food gradually for extraction.
- Check to make sure the juice flap is closed.

Juicer Shakes when In-Use

- This is normal as the auger rotates. It is not a malfunction. Hard ingredients such as carrots, potato, radish, beets, etc. may cause shaking more so than soft ingredients.
- Depending on the firmness of the ingredient, there may be a more pronounced shaking of the motor.
- Slight shaking may be caused by the motor.

PRODUCT SPECIFICATIONS

Product Name	Omega Cold Press 365 Vertical Juicer
Model Name	JC3000
Rated Voltage	120 VAC
Rated Frequency	60 Hz
Rated Power Consumption	120 W
RPM	45-80 RPM
Cord Length	47 inches (1.2 mm)
Motor	Single-Phase Induction Motor
Weight	7.7 lb (3.5 kg)
Outward Dimension	6.3" Width (160 mm) 8.8" Length (225 mm) 17.3" Height (440 mm)
Rated Operating Time	Less than 10 minutes





benefits of juicing



Metabolism is
converting food into
energy

You know when you eat a big meal and you can't move?

That's because all of your energy is going towards digesting, absorbing and metabolizing food. When you eat solids, chewing and enzymes break down the food... looking for the nutrients inside.

With the Omega Cold Press 365, all the nutrients are extracted for you, so your body doesn't have to do any of the work. Even if you have a compromised digestive system, the nutrients in pressed juice get absorbed into your cells very efficiently so all of your energy can go towards healing and going about your busy day vs. digesting.



BENEFITS OF JUICING

Don't look at juicing as a meal replacement, look at it as a daily self-care practice.

With Just One Omega Cold Press 365 A Day –

Your body becomes more alkaline.

Do you drink soda? Coffee? Alcohol? Do you eat processed food? Meat? Dairy? Grains, eggs, nuts...sugar? You are not alone, but when you eat too many of these acidic foods, and not enough vegetables, your body's pH can quickly become too acidic and will start to pull alkalizing minerals, like calcium, right from your bones in order to balance your blood pH.

Your body needs alkaline foods to balance out the acidic foods – and plants are the top alkalizers! Starting your day with a nutritious, alkalizing glass of pressed green juice is the most efficient way to avoid some of the scary health issues associated with being too acidic... like kidney stones, heart disease, osteoporosis, liver issues and even cancer.

Know Your Body's pH

Know Your Body's pH

ALKALINE

NEUTRAL

ACIDIC

ALKALINE

NEUTRAL

ACIDIC

pH What is pH?
The measure of how acidic or alkaline your blood is

pH How is pH balanced?
The body works to create balance. The ideal way to balance pH is to have alkaline foods.

pH What are alkaline foods?
Most fruits, vegetables, herbs, nuts and seeds are alkaline-forming foods.

What is pH?
The measure of how acidic or alkaline your blood is

How is pH balanced?
The body works to create balance. The ideal way to balance pH is to have alkaline foods.

What are alkaline foods?
Most fruits, vegetables, herbs, nuts and seeds are alkaline-forming foods.



Your gut health is improved.

You can't go anywhere without hearing about gut health. And why? Because we are almost ALL suffering from some type of gut issue...and ANYTHING we can do to optimize the way we digest, absorb and utilize the food we eat, the healthier we will be. If your gut health is compromised, it can affect every aspect of your health. Signs that you may have some gut issues include: gas and bloating, skin issues like acne and eczema, weight gain, fatigue, mood swings and depression, difficulty concentrating...even joint pain. All of these signs can point back to compromised gut health...but guess what...you can help heal your gut with one green juice a day!! With juicing, the compounds from the plant are delivered into your body in an easy-to-digest way. It's so easy to digest that you know you are able to absorb the vitamins, minerals and nutrients you need to rebuild your intestinal wall. Straight celery juice and broccoli juice are great for this! They can reduce intestinal inflammation and seal a leaky gut, improving your gut health which in turn improves your overall health and quality of life.

Signs that you may have gut issues:

- | | |
|--|----------------------------|
| ✓ Food sensitivities or allergies | ✓ Mood swings |
| ✓ Digestive problems like gas and bloating | ✓ Autoimmune disorders |
| ✓ Weight gain | ✓ Depression |
| ✓ Skin issues like acne, eczema & rosacea | ✓ Anxiety |
| ✓ Fatigue | ✓ Difficulty concentrating |
-





BENEFITS OF JUICING



Your toxic build up gets flushed out.

It's impossible to avoid toxins in the modern world.

They are in water, plastic, your clothing, your furniture, the air...toxins are impossible to avoid. Your liver is the primary organ for cleaning out toxins, but you have to nourish your liver for it to do it's job well. Green juices are great for your liver, especially cruciferous vegetables like broccoli, cabbage and bok choy.

When toxins build up in your body, you just don't feel good.

There may not be the kind of symptoms that have you running to your doctor, but some common indicators that you are in need of detox include: bad breath, overall fatigue, aches and pains, skin issues like acne and rashes and even weight gain. A green juice a day can clean out those toxins, get your liver in fighting shape and have you feeling yourself again in a few short weeks.



BENEFITS OF JUICING

WHY EAT ALL THIS?
JUICE IT!



EASY TO DRINK
+
EASY TO DIGEST

Your immune system gets stronger.

Pressed green juices are loaded with vitamins and minerals that are easily absorbed right into your cells. Daily juicing can quickly build up the levels of the antioxidants you need to fight off sickness, like the beta carotene found in carrots, beets and spinach. Or the nutritious vitamin E, that's been shown to slow down the aging process, in chard, red peppers and broccoli. And don't forget the antioxidant king, vitamin C, from pressed juices made with kale, tomato and grapefruit! Your aging process slows down.

Free radicals cause oxidative stress. Oxidative stress results in aging. Antioxidants neutralize oxidative stress. So, the consumption of more antioxidants, which are found in concentrated amounts in fruits and vegetables will start putting the brakes on the aging process.

Your produce intake increases.

How many people are consuming at least 5 servings of fruits and veggies on a daily basis?

- Less than 1% of men & 4% of women ages 18 to 24
- Less than 6% of men & 9% of women ages 25 to 34
- Less than 14% of men & 16% of women ages 35 to 49
- Less than 24% of men & 22% of women ages 50 to 64

Studies performed at the University College London discovered that those who ate 7+ servings of fruits and veggies daily (a serving of fruit being 1 cup and 2 cups for leafy greens) were 42% LESS LIKELY to die prematurely.

They also discovered that these people were 25% LESS LIKELY to die from cancer.

Your energy level increases.

One serving of green juice provides a ton of easily digestible, essential vitamins and minerals. When your body receives this nutrition, every day, your energy levels pick up naturally... without caffeine or energy drinks.



BENEFITS OF JUICING

the perfect juice

The power of celery juicing

Daily celery juicing is one of the quickest, most effective, health promoting practices you can add to your daily routine. With daily celery juicing you can start every day on the right foot with an easily digestible, highly condensed wallop of vitamins, minerals, phytonutrients, enzymes and chlorophyll. We like to look at celery juice more like medicine than a meal. There is so much nutrition packed into every glass that just one a day is going to transform your health, energy and outlook on life - especially if you haven't been getting enough daily produce!

Even if you don't like vegetables, a daily celery juice makes it easy to get vital nutrition down the hatch... for you, for your children, for everyone that you love. It couldn't be easier! You have fresh, nutritious celery juice in no time!

Join the thousands of avid celery juicers including Kim Kardashian, Gwyneth Paltrow, Pharrell Williams and Naomi Campbell.

With Cold Press 365, it couldn't be easier!

Just one powerful ingredient - cut off the ends, rinse and run through juicer!

If you find the taste of celery juice too strong, juice half of a cucumber or half of an apple with the celery to adjust to the flavor. As you get used to it, keep increasing the ratio of celery until your juice is only celery. The greatest benefit comes from consuming celery juice on its own.

BENEFITS OF JUICING

Centrifugal vs. Masticating

Masticating Juicers (Cold Press/Slow Juicers) use gentle gears to slowly grind food whereas centrifugal juicers use harsh, quick blades to pulverize food. The term Cold Press comes from that fact that unlike centrifugal juicers, no heat is generated, so the juice maintains all of its beneficial nutrients and enzymatic strength. Plus, Cold Press juicers break down fibers more thoroughly, so you get more juice output from the same ingredients.

The bottom line is, with masticating juicers like the Cold Press 365 you get more, higher quality juice from your produce so you get the greatest health benefits, plus you save money!



BENEFITS OF JUICING



Food Waste – Cold Press 365 presses more juice from foods than centrifugal juicers, because the gears squeeze the food vs chop/blend. So you get can save money on buying less produce.



Enzyme Strength – The heating of centrifugal juicers is slated to decrease enzyme/nutrient strength in juices. With Cold Press 355, there is no heat to destroy the enzymes and antioxidants in the food. Foods maintain their nutritional integrity.



Oxidation – Masticating juicers like Cold Press 365 use a gentle combination of high power + low speed, exposing the foods to less oxygen which preserves enzyme and nutrient strength and yields higher nutritional value overall.



Noise – Cold Press 365 is significantly more quiet than centrifugal juicers.



Wheat Grass, Sprouts & Leafy Greens - Cold Press 365 gently presses the juice out of tender foods like wheat grass, sprouts and leafy greens, whereas centrifugal juicers tear them apart with very little juice extraction. The benefits of the chlorophyll found within these leafy greens and grasses go a long way towards improving health – chlorophyll is a cleanser, an antiseptic cell stimulator and a red blood cell builder!



Longer Storage Life – Masticated Juices remain fresh for a longer period of time. With most cold press juice, you can store in a refrigerator for 72 hours.



BENEFITS OF JUICING

Juicing vs. Blending

When it comes to juicing vs blending, we see them as two very different things. Cold Press 365 makes nutrient-rich, natural cold pressed juice that the body absorbs easily and efficiently. It's a digestion no-brainer. Plus, there are so many extremely healthy ingredients you should be eating that you would NEVER blend in a smoothie! Like celery, cabbage, onion & garlic to name a few!

We suggest you drink your Cold Press 365 juice first thing in the morning, on an empty stomach. Then, don't eat or drink anything for 15 – 30 minutes. That's how you get the most nutritional benefits! All of the enzymes, all of the nutrition is quickly absorbed, without ANY obstacles.

We like to think of your Cold Press 365 as your first thing, start-the-day-off-on-the-healthiest-foot, daily self-care practice, whereas a smoothie is a meal or snack.

Do both if you'd like to!



BENEFITS OF JUICING

JUICING



BLENDING

SEPARATES JUICE FROM PULP & FIBER

BENEFITS:

- Better absorption of vitamins, minerals & phytonutrients.
- Juices are easy to digest.
- Without the fiber, you can pack more fruits & vegetables in.

BEST FRUITS & VEGETABLES TO JUICE

- Apples
- Pineapples
- Carrots
- Beets
- Cucumber
- Celery



NO PULP REMOVAL & NO SEPARATION

BENEFITS:

- Full of fiber, supporting digestive health & aiding in elimination.
- Satisfies hunger & sustains energy.
- Balances blood sugar.

BEST FRUITS & VEGETABLES TO JUICE

- Bananas
- Mango
- Berries
- Avocado
- Spinach
- Microgreens





recipes for inflammation

Inflammation, in the simplest sense, is your immune system fighting off something harmful. That can be an injury, virus, bacteria, toxins, even foods your body deems harmful to you. Long term exposure to immune system irritants such as infection, chemicals and inflammatory foods can result in chronic inflammation. Study after study shows chronic inflammation to be at the root of most disease. From allergies and asthma, to heart disease and cancer, to autoimmune diseases including rheumatoid arthritis and lupus, chronic inflammation is present and plays a big role.

Eating fruits and vegetables has shown to significantly help with reducing inflammation. Fresh juices make it so easy to increase your intake of the fruits and vegetables that contain the most anti-inflammatory compounds.

We've put together a few delicious combos that are easy to make, easy to drink and will give your inflammation a run for its money.

Fire Fighter

Prepare and juice

4 Carrots.

1 Wedge Pineapple.

1 Chunk Turmeric.

Delicious, refreshing and full of the antioxidants that help squelch inflammation.



Apple Berry Elixir

Prepare and juice

2 Cups of Blueberries.

2 Apples.

2 Cups of Spinach.

Blueberries are one of the top anti-inflammatory foods! Pair that with delicious apple and the inflammation curbing vitamin K found in spinach and you have a great way to start your day!



The Zesty Zinger

Prepare and juice

- 1 Lemon Wedge.**
- 1 Slice of Ginger.**
- 1 Cup of Grapes.**
- 1 Bunch of Kale.**

Ginger is a well-known inflammation buster.

Coupled with the vitamin and mineral rich kale and the vitamin C in lemon, this juice is a powerhouse of prevention.



365 Celery Juice

Prepare and juice

- 1 Head of Celery.**

Celery juice is a natural anti-inflammatory! High in phytonutrients and antioxidants, this single ingredient juice couldn't be easier to create... and get down the hatch!





weight loss

The idea is not to lose weight to be healthy, it's that when we are healthy we lose unnecessary weight. When we increase the healthy foods we eat, we crowd out the unhealthy foods, and a byproduct of that is dropping unwanted pounds and inches. Starting your day with a fresh juice not only gives you the vitamins and minerals to reduce cravings, it sets the stage for having a healthy day. When you start with something super nutritious, you tend to make better decisions over the course of the day.

Bottoms up to healthy choices!



RECIPES

Green and Clean

Prepare and juice

2 Lemons.

4 Green Apples.

1 Cucumber.

Chock full of flavor, nutrients and antioxidants, this tart and hydrating blend is a fantastic way to start your day on the right foot.



Turn up the Beet

Prepare and juice

2 Lemons.

2 Carrots.

2 Apples.

2 Beets.

Start your day with this rainbow of phytonutrients and you're sure to continue making healthy food choices throughout the day.



RECIPES

Spice of Life

Prepare and juice

- 1 Lemon.**
- 1 Cucumber.**
- 1 Chunk Ginger.**
- 1 Pinch Cayenne.**

Wake up your metabolism with this zesty powerhouse! These simple ingredients are full of the nutrition and flavor you need to spice up your morning!



365 Celery Juice

Prepare and juice

- 1 Head of Celery.**

Celery juice is a natural anti-inflammatory! High in phytonutrients and antioxidants, this single ingredient juice couldn't be easier to create... and get down the hatch!





RECIPES

mood

We're tired, we're cranky, we have a hard time focusing...all of that typically leads to being in a bad mood. When we're properly hydrated and nourished, that can have a huge impact on our daily temperament and our ability to focus and pay attention. These recipes give you what you need to clear your head and keep on keeping on, with a smile on your face.

The Juice Buzz

Prepare and juice

2 Lemons.

4 Green Apples.

1 Cucumber.

Spinach.

You'll have smiles for miles when you start your day off with this light, refreshing, nutrient packed masterpiece!



Fog Lifter

Prepare and juice

1 Beet.

1 Lemon.

2 Pineapple Spears.

1 Cucumber.

Brain fog can be a real bummer. Clear the skies with this vitamin rich, refreshing dose of healthy antioxidants.



365 Celery Juice

Prepare and juice

1 Head of Celery.

Start your day off with refreshing, hydrating, celery juice and instead of the typical ups and downs of the day, see how even you feel!





RECIPES

energy

Not enough sleep. The afternoon slump. It's time to workout and you've got no juice. There are so many reasons we reach for coffee, energy drinks and anything we can get our hands on to keep moving. They work for a little while, but then you crash. These juices give you the energy you need, in a way that offers nutrition and even, crash-free energy. Start your day with fresh juice, or reach for a juice when you need to recharge, you'll feel the difference in days.

Agua Zesta

Prepare and juice

Watermelon Spears.
1 Chunk Ginger.

Full of flavor, phytonutrients, vitamins and enzymes...you'll love starting your day with this beautiful and tasty juice!



Morning Glory

Prepare and juice

4 Carrots.
1 Chunk Ginger.
2 Lemons.

Full of flavor, phytonutrients, vitamins and enzymes...you'll love starting your day with this beautiful and tasty juice!



365 Celery Juice

Prepare and juice

1 Head of Celery.

Forget coffee, the best way to start your day with clean, energizing, nutritious fuel...celery juice. This simple, one ingredient juice has an entire movement behind it! They all agree, they have more energy throughout the day!





RECIPE

sleep

In a stress filled world, we all have a hard time getting a good night of rest. Whether you have a hard time falling asleep, or staying asleep, the nutrition packed juices in this section will help you get the zzz's you need. Juicing for sleep gives your body the vitamins and minerals it needs to truly rest. This isn't a quick fix that will leave you groggy in the AM, following a juicing lifestyle gets to the root of the problem and helps you sleep all night, every night.

Shut Eye

Prepare and juice

4 Leaves Romaine Lettuce.

1 Handful Parsley.

1/2 Cucumber.

2 Carrots.

1 Rib Celery.

Add this soothing juice to your nighttime routine, no less than an hour before you go to bed. Within days, you'll feel a difference.



Citrus Soother

Prepare and juice

2 Lemons. 2 Oranges.

Vitamin C has been shown to reduce cortisol, the stress hormone that is often associated with sleep issues. Enjoy this delicious juice no less than an hour before bed and get ready to sleep the night away.



Cucumber Slumber

Prepare and juice

1 Cucumber. 1 Lemon. Green Apple.

Cucumbers contain a lot of magnesium, a mineral which has shown to help with both sleep quality and duration. Enjoy this delicious juice no less than an hour before bed and get ready make some zzz's.





RECIPES

constipation

Even though it's one of the most frequently reported gastrointestinal issues, no one likes to talk about constipation. Getting backed up is a horrible feeling. The bloating, the discomfort, the frustration...it's pretty horrible. Quick fix, over the counter solutions don't get to the root of the problem in the same way that daily proper nutrition can. Simply add one of these juices to your day and we're confident you'll see "movement" in the right direction.

The Unicorn

Prepare and juice

½ Head Red Cabbage.

2 Lemons.

1 Apple.

Cabbage has been shown to soften stool, which can help keep things moving.

But who likes to eat cabbage?

Now you can drink it in this delicious, stunningly beautiful drink. You won't believe how pretty this juice is!



Clean and Green

Prepare and juice

1 Pear.

1 Lemon.

2 Handfuls Spinach.

Pears have always been a go-to fruit when the topic of constipation comes up.

This refreshing blend has all the vitamins, minerals and enzymes you need to get your digestive juices flowing.





Omega®

Merci _____	48
Mesures de protection importantes _____	49-50
Connaître votre Omega _____	51
Assemblage Rapide _____	52
Comment Assembler _____	53
Mode d'emploi _____	54
Stérilisation et nettoyage facile _____	55
Précautions pour une utilisation en toute sécurité _____	56-58
Si la tarière cesse de fonctionner _____	59
Conseils pratiques _____	60
Dépannage _____	61
Caractéristiques du produit _____	62
Les bienfaits de L'extraction de jus _____	64-78
Recettes _____	80-93







MERCI!

FÉLICITATIONS pour l'achat de votre nouvel appareil Cold Press 365 de Omega.

Omega s'efforce de développer des appareils technologiquement avancés qui aident à livrer une nutrition et une saveur de la plus haute qualité et aussi proches de leur forme naturelle pure que possible. C'est vous, les amis de notre marque, qui nous guident. Votre enthousiasme nous aide à continuer à réinventer et à renouveler notre gamme d'extracteurs de jus, mélangeurs à haute vitesse et équipement pour les boissons. L'équipe d'Omega vous remercie de votre fidélité depuis plus de 50 ans!

Veillez nous joindre sur :

INSTAGRAM @OmegaJuicing

FACEBOOK @OmegaJuicers

POUR ENREGISTRER VOTRE PRODUIT, VEUILLEZ VISITER :

www.omegajuicers.com/omega-warranty-registration

POUR LES RECETTES, VEUILLEZ VISITER :

www.omegajuicers.com/recipes

POUR LE SERVICE À LA CLIENTÈLE :

Visitez le site : **www.OmegaJuicers.com**

Une fois que vous avez utilisé votre produit Omega, nous vous prions de bien vouloir évaluer l'appareil sur **www.OmegaJuicers.com**



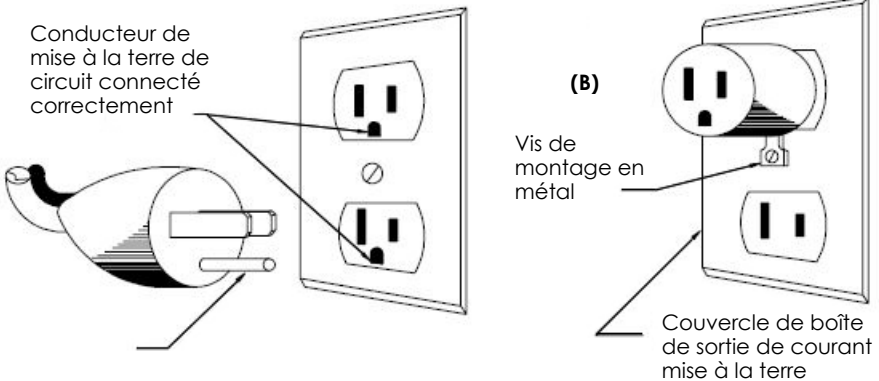
MESURES DE PROTECTION IMPORTANTES

ADVERTENCIA: INSTRUCTIONS DE MISE À LA TERRE.

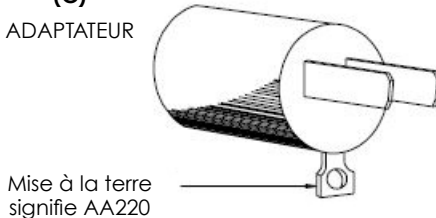
Cet appareil doit être mis à la terre pendant son utilisation pour protéger l'utilisateur contre les chocs électriques. L'appareil est équipé d'un cordon électrique à 3 conducteurs et d'une fiche de type mis à la terre à 3 broches pour s'adapter à la prise correcte de mise à la terre. L'appareil a une fiche qui ressemble au **schéma A** de la **Figure 73.1**. Un adaptateur, **schéma B**, doit être utilisé pour connecter les fiches du **schéma A** aux prises à deux broches. La languette de mise à la terre qui dépasse de l'adaptateur doit être connectée à une mise à la terre permanente, telle qu'une boîte de sortie de courant correctement mise à la terre, comme illustré sur le **schéma C**, à l'aide d'une vis en métal.

FIGURE 73.1

(A) Méthodes de mise à la terre



(C) ADAPTATEUR



MESURES DE PROTECTION IMPORTANTES

Les appareils électriques devraient toujours être utilisés en adoptant des précautions de Lorsque vous utilisez un appareil électroménager, il faut toujours prendre des précautions de base, y compris les suivantes.

1. LISEZ TOUTES LES INSTRUCTIONS AVANT L'UTILISATION.
2. Pour vous protéger des chocs électriques, n'immergez pas le cordon, la fiche ou le corps principal (moteur) dans de l'eau ou d'autres liquides.
3. Cet appareil n'est pas conçu pour une utilisation par des personnes (y compris les enfants) aux capacités physiques, sensorielles ou mentales diminuées ou manquant d'expérience et de connaissances, à moins qu'elles ne reçoivent une supervision étroite et soient rigoureusement instruites en matière de l'utilisation de l'appareil par une personne responsable de leur sécurité. Une surveillance étroite est de rigueur lorsqu'un appareil quelconque est utilisé par ou à proximité des enfants. Les enfants doivent être surveillés pour s'assurer qu'ils ne jouent pas avec l'appareil.
4. Veillez à ce que l'appareil soit éteint et débranché quand il n'est pas utilisé ou avant l'assemblage/démontage ou le nettoyage.
5. Évitez tout contact avec les pièces mobiles. Débranchez l'appareil de la prise lorsqu'il n'est pas utilisé, avant d'ajouter ou de retirer des pièces et avant le nettoyage.
6. N'utilisez pas l'appareil si le cordon d'alimentation ou toute autre pièce est endommagé(e). Communiquez plutôt avec le fabricant (voir la garantie).
7. L'utilisation d'accessoires non recommandés ou non vendus par le fabricant risque de causer un incendie, un choc électrique ou des blessures.
8. Ne laissez pas le cordon pendre par-dessus le bord de la table ou du comptoir ou toucher des surfaces chaudes.
9. Veillez toujours à ce que le couvercle de l'extracteur de jus d'alimentation soit fixé solidement en place avant de mettre le moteur en marche. Ne détachez pas les pinces lorsque l'extracteur de jus est en marche.
10. Assurez-vous de passer en position OFF (ARRÊT) après chaque utilisation de votre extracteur de jus. Veillez à ce que le moteur s'arrête complètement avant de démonter.
11. Ne placez pas vos doigts ou autres objets dans l'ouverture de l'extracteur de jus lorsqu'il fonctionne. Si des aliments sont coincés dans l'ouverture, utilisez le poussoir à aliments ou un autre morceau de fruit ou légume pour les enfoncer. Dans les cas où cette méthode n'est pas possible, éteignez l'appareil, retirez la fiche de la prise murale et démontez l'extracteur de jus pour retirer le reste des aliments.
12. N'utilisez pas l'appareil à l'extérieur.
13. Ne placez pas sur ou à proximité d'un brûleur à gaz ou électrique chaud ou dans un four chauffé.
14. N'utilisez pas l'appareil à des fins autres que celles pour lesquelles il est conçu.
15. Gardez les mains et les ustensiles éloignés des lames ou disques mobiles pendant le traitement des aliments, pour réduire les risques de blessures corporelles graves ou de dommages au robot culinaire. Vous pouvez utiliser un racloir mais uniquement lorsque le robot culinaire n'est pas en marche.
16. Les lames sont aiguisées. Manipulez-les avec soin.
17. Veuillez garder l'appareil propre. Reportez-vous aux instructions d'Entretien et nettoyage de ce guide.
18. NE branchez PAS l'appareil avant de vous familiariser complètement avec les instructions et méthodes d'utilisation.
19. NE débranchez PAS l'appareil de la prise électrique en tirant sur le cordon. Pour le débrancher, saisissez la fiche, non pas le cordon, et tirez.
20. Éteignez toutes les commandes avant de débrancher de ou de brancher dans une prise électrique.
21. Cet appareil ne peut pas hacher la viande.
22. Vérifiez que la trémie ne contient pas de corps étrangers avant de l'utiliser.
23. Pièces mobiles – Gardez les doigts en dehors des orifices de sortie.
24. Lame aiguisée – Utilisez toujours le poussoir à aliments
25. Durée nominale de fonctionnement – inférieure à 10 minutes.

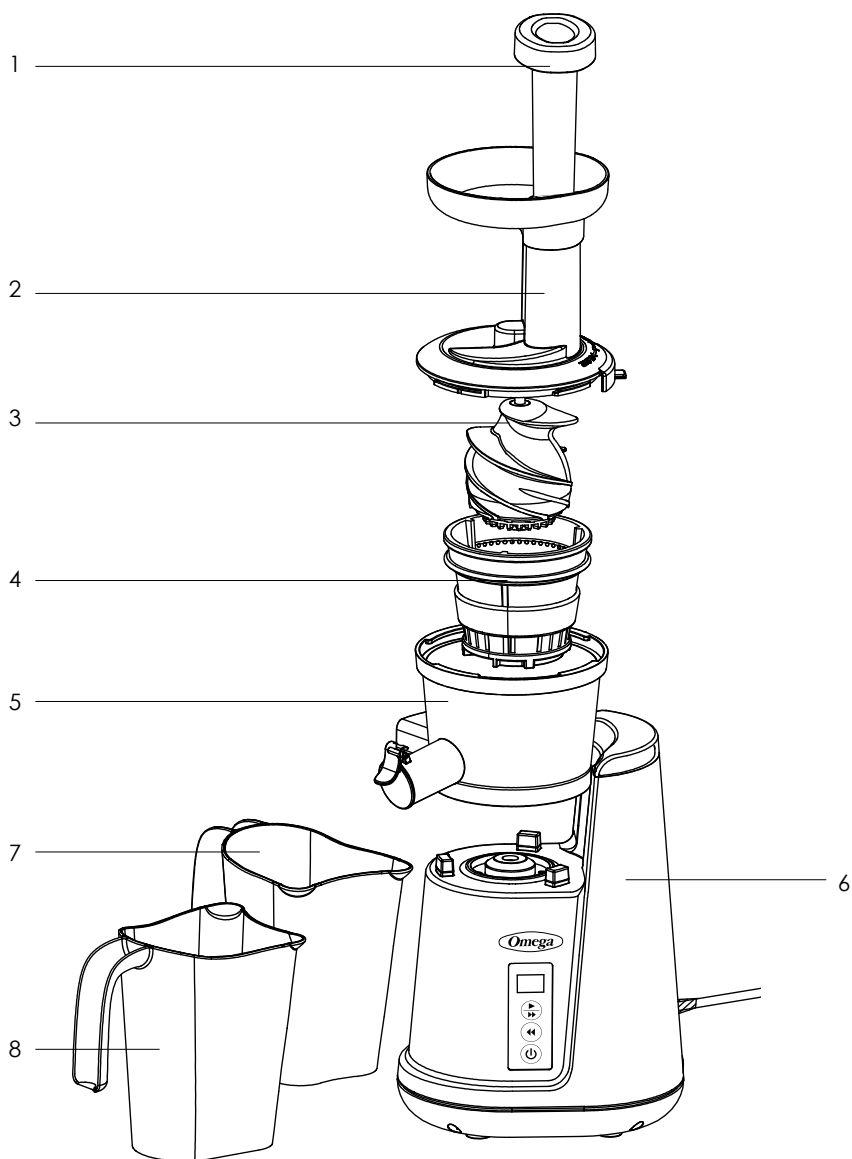
CONSERVEZ CES CONSIGNES

CONNAÎTRE VOTRE OMEGA



- A** Pousoir
- B** Trémie d'alimentation
- C** Goulotte d'alimentation
- D** Système de verrouillage de sécurité
- E** Tamis à jus
- F** Bol de jus
- G** Sortie de pulpe
- H** Bec à jus avec clapet
- I** Écran numérique
- J** Fonction à 2 vitesses (lente et rapide)
- K** Fonction de marche inversée
- L** Marche/Arrêt
- M** Pieds robustes antidérapants
- N** Tarière
- O** Conteneur à jus
- P** Conteneur à pulpe
- NON ILLUSTRÉE** Brosse de nettoyage

ASSEMBLAGE RAPIDE



1 Poussoir

2 Goulotte d'alimentation

3 Tarière

4 Tamis à jus

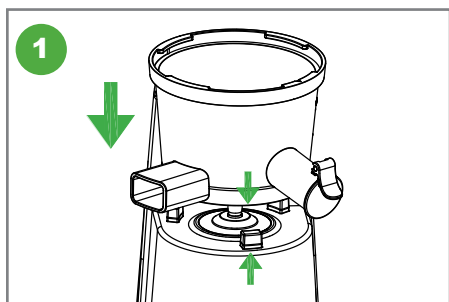
5 Bol de jus

6 Base

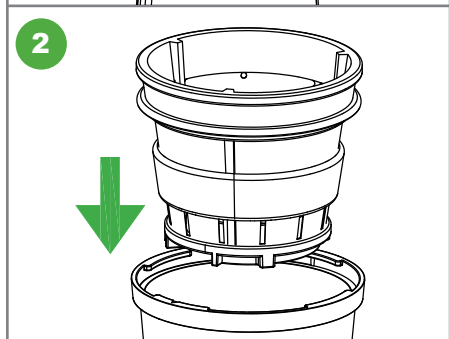
7 Conteneur à pulpe

8 Conteneur à jus

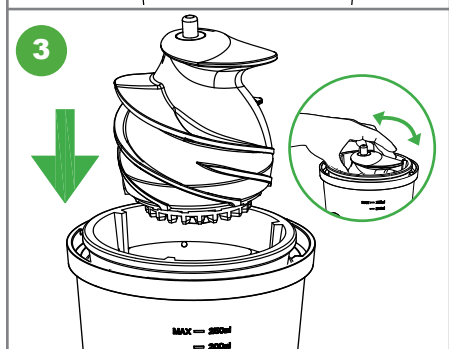
COMMENT ASSEMBLER



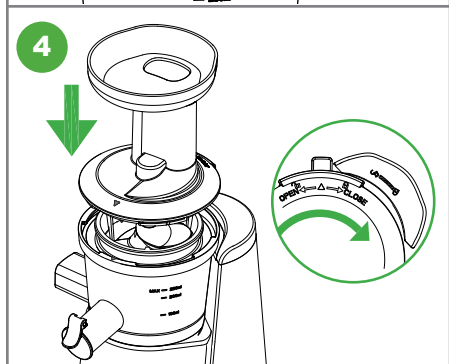
Placez le bol à jus sur la base à moteur en vous assurant qu'il est aligné avec la colonne du moteur principal.



Placez le filtre à jus sur le bol à jus, en alignant les points rouges et poussez-le vers le bas jusqu'à ce qu'il soit entièrement inséré.



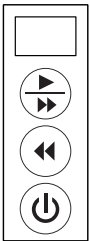
Ensuite, placez la tarière à l'intérieur du filtre à jus. Tournez-le de gauche à droite pour vous assurer qu'il est bien inséré.



Placez la trémie sur le bol à jus. Tournez la trémie dans le sens horaire jusqu'à ce qu'elle soit complètement verrouillée.

MODE D'EMPLOI

1

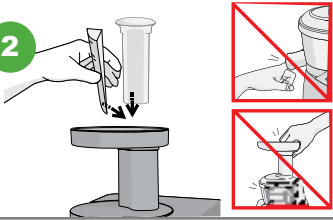


[LO] vitesse faible
[HI] vitesse élevée

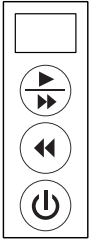
[REV] marche inversée

[On/Off] Marche/Arrêt

2



3




[LO] vitesse faible
[HI] vitesse élevée

[REV] marche inversée

[On/Off] Marche/Arrêt


Appuyez sur «  » pour mettre en marche.

Appuyez sur «  » une fois pour le réglage haute vitesse par défaut, pour les fruits et légumes plus fermes.

OU

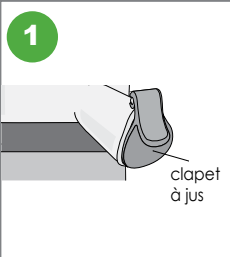
Appuyez «  » deux fois pour le réglage vitesse faible, pour les fruits et légumes plus mous.

Placez les ingrédients progressivement dans la goulotte de la trémie d'alimentation et enfoncez avec le poussoir.

Une fois l'extraction terminée, appuyez sur «  » pour éteindre. Veuillez noter que l'extracteur de jus fonctionnera automatiquement et brièvement en marche inversée avant de s'éteindre.

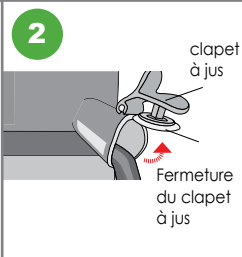
CLAPET À JUS

1



clapet à jus

2



clapet à jus

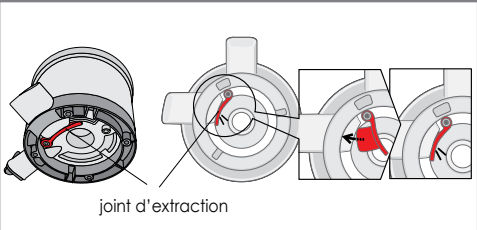
Fermeture du clapet à jus

Pour mélanger des jus différents, fermez le clapet à jus pendant l'extraction. Assurez-vous de ne pas dépasser la ligne « MAX. ».

Ouvrez le clapet et versez pour libérer le jus dans le conteneur de jus.

Si vous souhaitez mélanger davantage de jus, fermez à nouveau le clapet et poursuivez l'extraction de la même façon.

JOINT D'EXTRACTION



joint d'extraction

Le bouchon obturateur de pulpe en silicone est situé au fond du bol à jus. Avant l'utilisation, assurez-vous que le joint est fermé. Pour nettoyer, ouvrez le joint d'extraction et purgez les aliments bloqués.

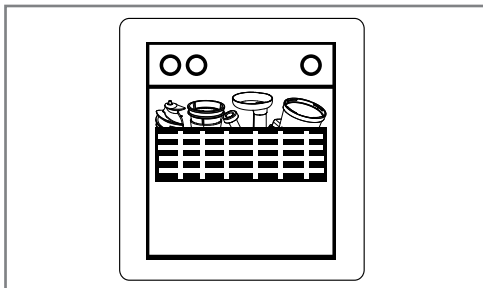
NETTOYAGE

NETTOYAGE QUOTIDIEN



Il est important de toujours récupérer tous les côtés et surfaces des pièces d'extraction du jus à l'eau chaude, du liquide vaisselle et une brosse à récupérer après chaque utilisation, pour éliminer les minéraux et débris.

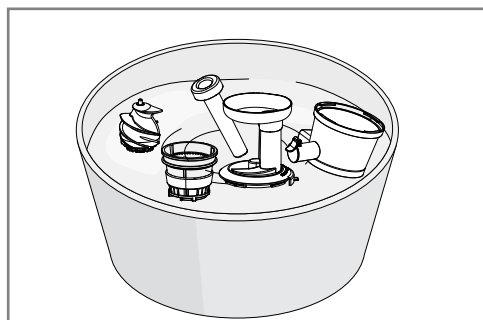
SYSTÈME DE NETTOYAGE



Une fois l'extraction terminée, vous pouvez laver les pièces amovibles sur l'étagère supérieure du lave-vaisselle.

Assurez-vous que la température de l'eau ne dépasse pas 60 °C.

NETTOYAGE À FOND



Un nettoyage à fond doit être effectué au moins une fois par mois ou selon les besoins, en fonction de la fréquence d'utilisation. Pour effectuer un nettoyage à fond, vous aurez besoin d'un bol de 3,78 litres rempli d'eau chaude et d'environ une tasse de liquide vaisselle qui stipule spécifiquement qu'il élimine les accumulations de minéraux. Laissez les pièces tremper pendant une demi-heure, puis rincez-les soigneusement et séchez-les complètement.

Assurez-vous que la température de l'eau ne dépasse pas 60 °C.

PRÉCAUTIONS DE SÛRETÉ

Tous les utilisateurs de cet appareil doivent lire et comprendre les précautions de sécurité avant de faire fonctionner l'appareil.

EXEMPLES DE SYMBOLES



Ce symbole indique que le contenu pourrait entraîner un risque d'incendie ou de choc électrique.

L'avertissement précis figure dans le symbole.



Ce symbole indique un acte interdit.

L'interdiction précise figure dans le symbole ou près de celui-ci.



Ce symbole indique le contenu des mesures de réglementation et d'orientation.

L'interdiction précise figure dans le symbole ou près de celui-ci.

PRÉCAUTIONS



ATTENTION

Dangers ou pratiques peu sûres qui pourraient entraîner des blessures légères ou endommager l'appareil.



NE PAS BRANCHER OU DÉBRANCHER AVEC LES MAINS MOUILLÉES.

Risque de causer un choc électrique ou des blessures.



NE PAS UTILISER AVEC UNE TENSION ÉLECTRIQUE AUTRE QUE CELLE SPÉCIFIÉE.

Risque de choc électrique, d'incendie et de performance anormale. Si la tension diffère, elle risque de réduire la durée de vie du moteur ou causer une défaillance.



BRANCHER LE CORDON D'ALIMENTATION CORRECTEMENT ET FERMEMENT.

Risque de causer un choc électrique ou des blessures.



SI LE CORDON D'ALIMENTATION EST ENDOMMAGÉ, IL DOIT ÊTRE REMPLACÉ PAR LE FABRICANT, SON SERVICE OU UNE PERSONNE QUALIFIÉE POUR ÉVITER LE DANGER.

Si le cordon d'alimentation est endommagé, il peut causer un choc électrique ou des blessures.



NE JAMAIS MODIFIER L'APPAREIL. DE PLUS, NE PAS LE DÉMONTER OU LE RÉPARER VOUS-MÊME. N'INSÉREZ PAS DE DOIGTS, DE CORPS ÉTRANGERS OU D'OBJETS COMME UNE AIGUILLE DANS LES FENTES OU LES TROUS DE LA BASE.

Risque de causer un incendie, un choc électrique ou une défaillance. Pour le soutien technique, communiquez avec un centre de service à la clientèle local autorisé.

PRÉCAUTIONS DE SÛRETÉ



NE PAS MOUILLER LA BASE OU ÉCLABOUSER DE L'EAU SUR LA BASE.

Attention de ne pas laisser tout liquide ou autre substance s'introduire dans le commutateur de l'appareil. NE PAS UTILISER LE COMMUTATEUR AVEC LES MAINS MOUILLÉES. Cela peut causer un choc électrique ou un incendie.



NE PAS UTILISER SI LE CORDON D'ALIMENTATION OU LE FIL EST BRISÉ OU ENDOMMAGÉ OU SI LA FICHE EST SE DESSERRE.

Cela peut causer un choc électrique, un incendie ou une blessure.



AUX FINS DE SÉCURITÉ, LES LIAISONS DE TERRE NE DOIVENT PAS REPOSER SUR UNE CONDUITE DE GAZ, UN TUYAU D'ALIMENTATION EN EAU DE PLASTIQUE, UN FIL TÉLÉPHONIQUE, ETC.

Cela peut causer un choc électrique, un incendie, une défaillance et une explosion. Assurez-vous d'utiliser une prise avec liaison de terre.



NE JAMAIS DÉMONTER LE BOL PENDANT QUE L'APPAREIL EST EN MARCHÉ NI INSÉRER LE DOIGT, DES CORPS ÉTRANGERS P. EX. FOURCHETTE, CUILLÈRE, ETC. DANS LE TUYAU D'ALIMENTATION OU LA SORTIE DE JUS

Cela peut causer une blessure, un accident ou une défaillance.



CET APPAREIL N'EST PAS VOUÉ À L'UTILISATION PAR DES PERSONNES (NOTAMMENT LES ENFANTS) À CAPACITÉS PHYSIQUES, SENSORIELLES OU MENTALES REDUITES, OU SANS EXPÉRIENCE ET CONNAISSANCE DU PRODUIT, SOUS RÉSERVE DE LA SURVEILLANCE OU DE L'INSTRUCTION LORS DE L'USAGE DE L'APPAREIL PAR LA PERSONNE RESPONSABLE DE LEUR SÉCURITÉ.

Il faut surveiller les enfants et s'assurer qu'ils ne jouent pas avec l'appareil.



NE PAS UTILISER L'APPAREIL SANS VERROUILLER CONVENABLEMENT L'ENTONNOIR.

Cela peut causer une blessure ou une défaillance.



SI UNE FUITE DE GAZ EST DÉTECTÉE, NE PAS INSÉRER LA FICHE DU CORDON DANS LA PRISE. OUVRIR LA FENÊTRE POUR VENTILER ENTIÈREMENT ET IMMÉDIATEMENT.

Cela peut causer une blessure ou une défaillance.



SI LA ROTATION DE LA FOREUSE S'ARRÊTE AU COURS DE L'EXPLOITATION NORMALE, APPUYER SUR LE BOUTON [REV/marche arrière] ET TENIR PENDANT 2-3 SECONDES ET UNE FOIS L'OPÉRATION EN MARCHÉ ARRIÈRE TERMINÉE, APPUYER À NOUVEAU SUR LE BOUTON [ON]

Si une telle interruption continue de se produire durant l'exploitation, les pièces pourraient être endommagées et le rendement pourrait être plus faible en raison du surchauffement du moteur. Si le problème se poursuit, arrêter immédiatement l'appareil et contacter le centre local de service à la clientèle.



NE JAMAIS METTRE LE DOIGT, UNE FOURCHETTE, UNE CUILLÈRE, ETC. DANS LA SORTIE DE JUS DIRECTE.

Cela peut causer une blessure ou une défaillance.

PRÉCAUTIONS DE SÛRETÉ



DURANT L'EXPLOITATION, NE PAS TENTER DE DÉPLACER LA BASE, DÉMONTER LA CUVE DU BOL OU LES PIÈCES AFIN DE LES VERROUILLER.

Cela peut causer une blessure ou une défaillance. En cas de toute mesure nécessaire, arrêter d'abord l'appareil et débrancher le cordon d'alimentation.



LORSQUE VOUS UTILISEZ L'APPAREIL, ATTENTION AUX CRAVATES, LONGS COLLIERS, ÉCHARPES, ETC. QUI POURRAIENT S'INTRODUIRE DANS LE BOYAU D'ALIMENTATION.

Cela pourrait causer une blessure, une défaillance ou un bris.



POSER L'APPAREIL SUR UNE SURFACE PLANE ET STABLE.

Cela pourrait causer une blessure ou une défaillance.



NE PAS UTILISER L'APPAREIL PENDANT PLUS DE 10 MINUTES À LA FOIS.

Cela pourrait briser le moteur en raison d'un surchauffement. Refroidir suffisamment l'appareil durant 5 minutes avant de continuer à l'utiliser.



POUR PLACER LES INGRÉDIENTS DANS L'ENTONNOIRE, UTILISER SEULEMENT LE PRESSEUR FOURNI.

Cela peut causer une blessure ou une défaillance.



NE PAS LAISSER L'APPAREIL SUBIR UN CHOC SÉRIEUR ET NE PAS L'ÉCHAPPER.

Cela peut causer un choc électrique, un incendie ou une défaillance.



SI L'APPAREIL A MAUVAISE ODEUR OU S'IL SURCHAUFFE ET LAISSE ÉCHAPPER DE LA FUMÉE, CESSER IMMÉDIATEMENT DE L'UTILISER ET CONTACTER LE CENTRE DE SOUTIEN.

Lorsque vous utilisez un nouvel appareil, il a une odeur et celle-ci se dissipe naturellement avec le temps.



TOUJOURS DÉBRANCHER L'APPAREIL APRÈS UTILISATION. LORS DU DÉBRANCHEMENT DE CORDON, BIEN TENIR LE CORDON D'ALIMENTATION.

Débrancher l'appareil en tenant le cordon peut causer un choc électrique ou un incendie.



NE PAS LAVER À DES TEMPÉRATURES ÉLEVÉES DE 60°C (140°F) OU PLUS. NE PAS METTRE L'APPAREIL DANS UN LAVE-VAISSELLE, UN SÉCHOIR OU UN MICRO-ONDES ETC.

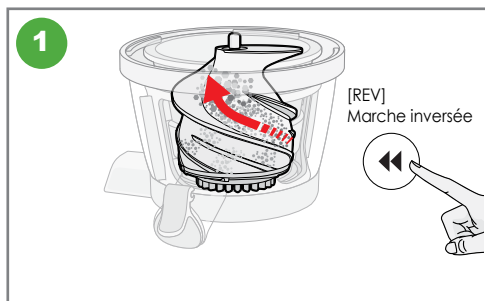
Cela peut provoquer une panne ou une déformation des pièces.



L'APPAREIL PÈSE ENVIRON 3.5 KG (7,7 LB). POUR DÉPLACER L'APPAREIL, TENIR FERMEMENT LES POIGNÉES AU BAS DE LA BASE AVEC LES DEUX MAINS.

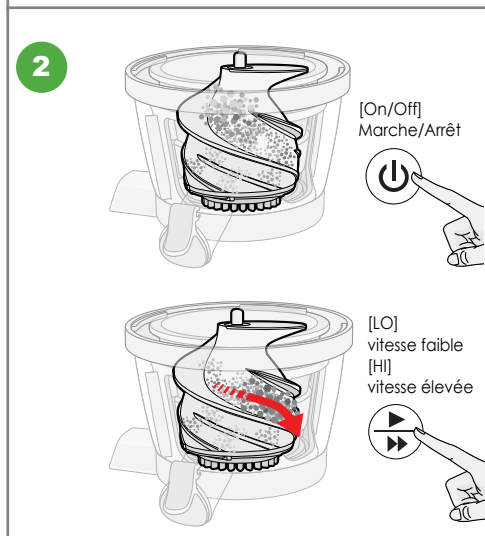
Déplacer l'appareil en tenant le bol ou le rebord de la base, la base tombe ce qui peut causer une blessure ou une défaillance.

SI LA FOREUSE CESSE DE FONCTIONNER



Appuyez sur le bouton d'inversion [Rev] pendant 3 à 5 secondes, puis relâchez. Une fois que le bouton [Rev] est relâché, la tarière arrête de tourner. Répétez cette étape 2 à 3 fois.

Le bouton d'inversion [Rev] pousse les ingrédients vers le haut et libère ainsi les aliments coincés.



Appuyez sur le bouton [ON/OFF (marche/arrêt)] et choisissez une vitesse pour démarrer. Quand vous utilisez le bouton [ON (marche)] ou [REV (inv.)], assurez-vous que la tarière s'arrête complètement après l'arrêt ou le relâchement du bouton.

Remarque : Même après avoir suivi les instructions précédentes, si l'extracteur de jus continue à ne pas fonctionner, veuillez débrancher le cordon d'alimentation, démonter la chambre et la nettoyer. Puis, essayez à nouveau.

CONSEILS PRATIQUES

• **Faire attention lors de l'utilisation des ingrédients suivants:**

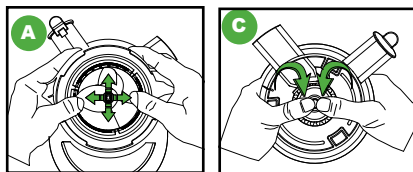
- Fruits avec pépins difficiles à mâcher devraient être dénoyautés avant l'extraction. Il s'agit des fruits tels que les prunes, les pêches et les abricots.
- Les légumes à tige dotés des fibres végétales corsées devraient être coupés en morceaux de 1 à 2 pouces avant d'être placés dans l'entonnoir. Les légumes tels que l'oenanthe sarmenteuse, le céleri, etc.
- Ne pas utiliser de grains de sésame, de café, l'écorce des arbres, le bois de poivre, etc. dont le jus ne peut être extrait.
- Ne pas utiliser de fruits confits à l'alcool, au sucre, au miel, etc. Ils peuvent causer des dommages ou défaillances.

• **Quand vous extrayez le jus du céleri, suivez les étapes suivantes :**

1. Quand vous extrayez le jus de céleri, gardez le clapet ouvert et n'utilisez pas plus de 453 g de branches de céleri frais à la fois.
2. Puisque le céleri contient de nombreux minéraux et fibres, il se peut que la pulpe soit coincée dans la tarière et le panier du filtre, suivant une extraction de jus de céleri importante.

Pour retirer la pulpe :

- A) Retirez la tarière, le panier du filtre et le bol à jus de la base principale et placez-les dans l'évier
- B) Secouez légèrement pour déloger la pulpe de la tarière et du panier du filtre
- C) Mettez le bol à jus à l'envers et poussez légèrement le centre de la tarière vers le bas



- Ne pas centrifuger à nouveau les résidus extraits de la sortie de pulpe, sauf en cas de fruits mous, qui peuvent être pressés à nouveau.
- N'utilisez pas l'appareil afin de moulin des grains. Il pourrait s'endommager ou défaillir.
- Nous vous recommandons de boire le jus immédiatement après son extraction.
- Ne pas exploiter l'appareil avant d'ajouter des aliments dans l'entonnoir.
- Ne pas utiliser l'appareil continuellement durant plus de 10 minutes. Il pourrait défaillir en raison du surchauffement du moteur.
- Il est important de bien nettoyer toutes les pièces avec votre brosse de nettoyage, l'eau chaude et le liquide vaisselle, pour éliminer les minéraux et débris après chaque utilisation.
- N'essayez pas d'ouvrir l'extracteur de jus pendant l'utilisation. Assurez-vous que l'extracteur de jus est éteint et qu'il n'y a aucun mouvement ou égouttement de jus, au cas où vous auriez besoin d'ouvrir le couvercle supérieur.
- Pour libérer toute pulpe accumulée, utilisez la fonction de marche inversée pendant 5 secondes.
- Cet extracteur de jus n'est pas conçu pour extraire le jus d'herbes telles que l'herbe de blé.
- Si la machine n'est pas utilisée pendant 10 minutes ou subit une surcharge, elle s'éteindra automatiquement.
- Réglages :
 - Réglage « High (haut) » est pour les légumes et fruits fermes.
 - Réglage « Low (bas) » est pour les légumes et fruits mous.

DIAGNOSTIC DE DÉFAILLANCE

Veillez tenter de diagnostiquer la défaillance de l'appareil avant de contacter le centre de service à la clientèle d'Omega aux fins de réparation ou de service. Lorsque vous contactez Omega aux fins de service après-vente, ayez le numéro de série et le code à barres du produit sous la main

L'appareil ne fonctionne pas

- Assurez-vous que le cordon d'alimentation est correctement branché.
- Assurez-vous que l'entonnoir est assemblé correctement. Si l'entonnoir n'est pas verrouillé en place, l'appareil ne fonctionnera pas.
- Assurez-vous que l'appareil est assemblé selon les instructions figurant dans ce manuel. Référez-vous aux instructions.
- Si l'appareil ne fonctionne toujours pas, veuillez contacter le service à la clientèle d'Omega pour obtenir un soutien complémentaire.

L'entonnoir ne s'ouvre pas

- S'il y a beaucoup de pulpe dans la cuve, appuyer sur [On] pour libérer l'excès de pulpe.
- Vérifiez que l'appareil ne contient aucun corps étranger ou objet solide, p. ex. pépins.
- Appuyez sur le bouton [Rev] pour repousser vers le haut les ingrédients coincés.
- Ne pas tenter de l'ouvrir de force. Si l'entonnoir ne s'ouvre toujours pas, veuillez communiquer avec le service à la clientèle d'Omega pour un soutien complémentaire.

L'appareil cesse de fonctionner durant son exploitation normale

- Vérifiez si des morceaux d'aliments sont coincés dans l'appareil.
- Référez-vous à la section « Si la foreuse cesse de fonctionner » du manuel et suivre les consignes associées au bouton [Rev].
- Si l'appareil ne fonctionne toujours pas, veuillez communiquer avec le service à la clientèle d'Omega pour un soutien complémentaire.

Lignes fines ou égratignures autour de la foreuse

- C'est tout à fait normal. Pas besoin de vous en préoccuper. Ces marques de moulure résultent du processus normal de fabrication.

Fuites de jus sur la base de l'appareil

- Vérifiez si une quantité excessive d'aliments se trouve dans l'entonnoir.
- Si vous tentez de centrifuger une grande quantité d'aliments par rapport à l'évacuation de la pulpe, le dispositif d'étanchéité sera légèrement repoussé. Cette fente peut causer la fuite du jus.
- Ne tentez pas de mettre trop d'aliments dans la centrifugeuse. Pousser graduellement les aliments aux fins d'extraction.
- Vérifiez que le rabat de jus est fermé.

La centrifugeuse tremble durant l'utilisation

- C'est normal et dû à la rotation de la foreuse. Ce n'est pas une défectuosité. Les ingrédients corsés, comme les carottes, les pommes de terre, les radis, les bettraves, etc. peuvent susciter davantage de tremblement que les ingrédients plus mous.
- Selon la fermeté des ingrédients, il peut y avoir un tremblement plus prononcé.
- Un tremblement léger est attribuable au moteur.

CARACTÉRISTIQUES DU PRODUIT

Nom du produit	Omega Cold Press 365 Vertical Juicer
Nom du modèle	JC3000
Tension Nominale	120 VAC
Fréquence	60 Hz
Consommation électrique	120 W
RPM	45-80 RPM
Longueur du cordon	1.2 m (47")
Motor	Moteur monophasé à induction
Poids	3.5 kg (7.7 lb)
Dimensions	160 mm (6.3" largeur) 225 mm (8.8" profondeur) 440 mm (17.3" longueur)
Délai de fonctionnement	Moins de 10 minutes





les bienfaits de l'extraction de jus



Le métabolisme
convertit les aliments
en **énergie**

Vous connaissez la sensation quand vous avez mangé un gros repas et que vous n'arrivez pas à bouger?

C'est parce que toute votre énergie s'occupe à digérer, absorber et métaboliser les aliments. Quand vous mangez des matières solides, mâcher et les enzymes décomposent les aliments... à la recherche des éléments nutritifs qu'ils contiennent.

Avec l'appareil Cold Press 365 de Omega, tous les éléments nutritifs sont extraits pour éviter à votre corps d'avoir à faire le travail. Même si votre système digestif est compromis, les éléments nutritifs du jus pressé sont absorbés dans vos cellules de manière très efficace, de sorte que toute votre énergie puisse se concentrer sur votre rétablissement et l'accomplissement de votre journée chargée au lieu de la digestion.



LES BIENFAITS DE L'EXTRACTION DE JUS

Ne considérez pas l'extraction de jus comme le remplacement d'un repas, mais plutôt comme une pratique quotidienne d'autogestion de la santé.

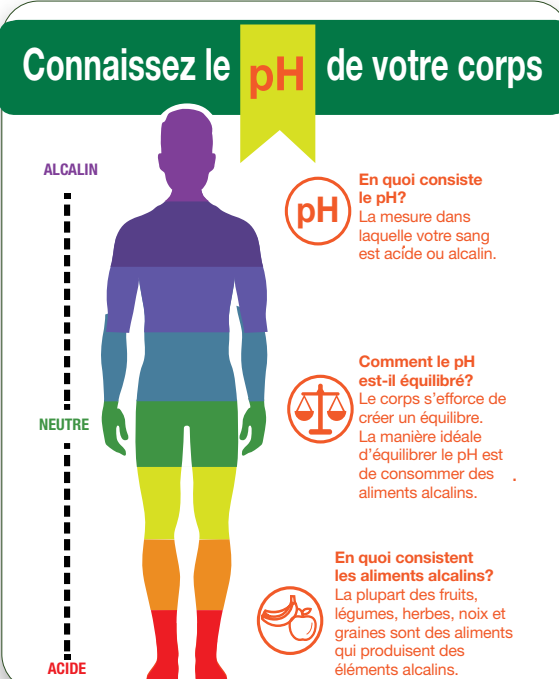
Avec tout juste un jus
Cold Press 365 de Omega par jour -

Votre corps devient plus alcalin.

Buvez-vous des sodas? Du café? De l'alcool? Consommez-vous des aliments transformés? De la viande? Des produits laitiers? Des grains, des œufs, des noix... du sucre? Vous n'êtes pas seul(e), mais quand vous consommez trop de ces aliments acides et pas suffisamment de légumes, le pH de votre corps peut rapidement devenir trop acide et commencera à retirer les minéraux alcalifiant, comme le calcium, de vos os, afin d'équilibrer le pH de votre sang.

Votre corps a besoin d'aliments alcalins pour annuler les aliments acides – et les plantes sont les meilleurs alcaliseurs! Entamer votre journée avec un verre nutritif et alcalifiant de jus de légumes verts pressés est le moyen le plus efficace d'éviter certains des problèmes de santé effrayants associés à un excès d'acidité... comme les néphrites, les maladies du cœur, l'ostéoporose, les troubles du foie et même le cancer.

Connaissez le pH de votre corps



ALCALIN

NEUTRE

ACIDE

En quoi consiste le pH?
La mesure dans laquelle votre sang est acide ou alcalin.

Comment le pH est-il équilibré?
Le corps s'efforce de créer un équilibre. La manière idéale d'équilibrer le pH est de consommer des aliments alcalins.

En quoi consistent les aliments alcalins?
La plupart des fruits, légumes, herbes, noix et graines sont des aliments qui produisent des éléments alcalins.



La santé de vos intestins est améliorée.

Vous ne pouvez aller nulle part sans entendre parler de la santé des intestins. Et pourquoi? C'est parce que nous souffrons pratiquement TOUS d'un certain type de trouble intestinal... et QUELLE QUE SOIT la solution nous permettant d'améliorer la façon dont nous digérons, absorbons et utilisons les aliments que nous consommons, notre santé s'en verra améliorée. Si votre santé intestinale est compromise, cela peut affecter tous les aspects de votre santé. Au nombre des signes que vous avez un trouble intestinal : le gaz et le ballonnement, les problèmes cutanés tels que l'acné et l'eczéma, la prise de poids, les sautes d'humeur et la dépression, la difficulté à se concentrer... même les douleurs articulaires. Tous ces signes peuvent signaler une santé intestinale compromise...mais attendez...vous pouvez aider à guérir vos intestins avec un jus de légumes verts par jour! Avec l'extraction de jus, les composés des plantes sont livrés directement dans votre corps d'une façon facile à digérer. La digestion est tellement facile que vous savez que vous pouvez absorber les vitamines, minéraux et éléments nutritifs dont vous avez besoin pour réparer votre paroi intestinale. Le jus de céleri pur et le jus de brocoli sont parfaits pour ça! Ils peuvent réduire les inflammations intestinales et sceller les fuites d'un intestin pour améliorer votre santé intestinale et améliorer ainsi votre santé générale et la qualité de votre vie.

Au nombre des **Signes** que vous avez un trouble intestinal : _____

- ✓ Les sensibilités ou allergies alimentaires
- ✓ Les troubles digestifs tels que le gaz et le ballonnement
- ✓ La prise de poids
- ✓ Les problèmes cutanés tels que l'acné, l'eczéma et la rosacée
- ✓ La fatigue
- ✓ Les sautes d'humeur
- ✓ Les maladies auto-immunes
- ✓ La dépression
- ✓ L'anxiété
- ✓ La difficulté à se concentrer





LES BIENFAITS DE L'EXTRACTION DE JUS



Votre accumulation toxique est éliminée.

Il est impossible d'éviter les toxines dans ce monde moderne. Elles se trouvent dans l'eau, le plastique, vos vêtements, vos meubles, l'air... elles sont impossibles à éviter. Votre foie est l'organe principal qui élimine les toxines mais vous devez le nourrir pour lui permettre d'accomplir son travail. Les jus de légumes verts sont parfaits pour votre foie, en particulier les légumes crucifères tels que le brocoli, le chou potager et le chou chinois. Quand les toxines s'accumulent dans votre corps, vous ne vous sentez pas bien. Il se peut que les symptômes ne vous fassent pas courir chez le médecin, mais au nombre des indicateurs communs que vous avez besoin d'une désintoxication, on compte : une mauvaise haleine, une fatigue générale, des maux et douleurs, les problèmes cutanés tels que l'acné et les éruptions, même la prise de poids. Un jus de légumes vert par jour peut éliminer ces toxines, rétablir votre foie et vous remettre en forme en juste quelques petites semaines.



LES BIENFAITS DE L'EXTRACTION DE JUS

POURQUOI MANGER TOUT CELA?
EXTRAYEZ LE JUS!



FACILE À BOIRE

+

FACILE À DIGÉRER

Votre système immunitaire devient plus robuste.

Les jus de légumes verts pressés sont remplis de vitamines et de minéraux facilement absorbés dans vos cellules. Une extraction de jus quotidienne permet d'accroître rapidement les niveaux d'antioxydants dont vous avez besoin pour combattre les maladies, tels que le bêta-carotène contenu dans les carottes, les betteraves et les épinards. Ou les vitamines E nutritives qui permettent de ralentir le processus du vieillissement, contenues dans la bette à cardes, les poivrons rouges et le brocoli. Et n'oubliez pas le roi des antioxydants, la vitamine C, dans les jus pressés de chou vert, tomates et pamplemousse! Votre processus de vieillissement ralentit.

Les radicaux libres causent un stress oxydatif. Le stress oxydatif entraîne le vieillissement. Les antioxydants neutralisent le stress oxydatif. Par conséquent, la consommation d'un plus grand nombre d'antioxydants contenus en quantités concentrées dans les fruits et légumes commencera à ralentir le processus de vieillissement.

Votre consommation de fruits et légumes frais augmente.

Combien de personnes consomment-elles au moins 5 portions de fruits et légumes chaque jour?

- Moins de 1 % des hommes et 4 % des femmes âgés de 18 à 24 ans
- Moins de 6 % des hommes et 9 % des femmes âgés de 25 à 34 ans
- Moins de 14 % des hommes et 16 % des femmes âgés de 35 à 49 ans
- Moins de 24 % des hommes et 22 % des femmes âgés de 50 à 64 ans

Les études réalisées au University College London ont mis en évidence que ceux qui consomment quotidiennement au moins 7 portions de fruits et légumes (une portion de fruits est équivalente à 1 tasse et 2 tasses pour les légumes-feuilles) sont 42 % MOINS SUSCEPTIBLES de mourir prématurément.

Elles ont également montré que ces individus sont 25 % MOINS SUSCEPTIBLES de mourir du cancer.

Votre niveau d'énergie augmente.

Une portion de jus de légumes verts procure une tonne de vitamines et minéraux essentiels facilement digérés.

Quand votre corps reçoit cette nutrition chaque jour, vos niveaux d'énergie augmentent naturellement...sans caféine ni boissons énergisantes.



le jus parfait

Le pouvoir de l'extraction du jus de céleri

L'extraction quotidienne de jus de céleri est l'une des pratiques favorables à la santé les plus efficaces et les plus rapides que vous pouvez ajouter à votre routine quotidienne. L'extraction de jus quotidienne vous permet d'entamer chaque jour du bon pied, avec une dose explosive extrêmement condensée et facilement digérée de vitamines, minéraux, phytonutriments, enzymes et chlorophylle. Nous préférons considérer le jus de céleri comme un médicament plutôt qu'un repas. Chaque verre est tellement rempli de nutrition qu'une seule journée transformera votre santé, votre énergie et votre conception de la vie - en particulier si vous n'avez pas consommé suffisamment de fruits et légumes frais chaque jour!

Même si vous n'aimez pas les légumes, un jus de céleri quotidien vous permet d'ingurgiter la nutrition essentielle... pour vous, vos enfants et tous ceux qui vous sont chers. Quoi de plus simple? Vous avez un jus de céleri frais et nutritif en un rien de temps!

Rejoignez les milliers d'extracteurs enthousiastes de jus de céleri, notamment Kim Kardashian, Gwyneth Paltrow, Pharrell Williams et Naomi Campbell.

Avec le Cold Press 365, rien ne peut être plus simple!

Juste un ingrédient puissant - coupez les extrémités, rincez et faites passer dans l'extracteur de jus!

Si vous trouvez le goût du jus de céleri trop fort, extrayez la moitié d'un concombre ou la moitié d'une pomme avec le céleri pour ajuster le goût. Au fur et à mesure que vous vous habituez, continuez d'augmenter la proportion de céleri jusqu'à ce votre jus ne contienne que du céleri. Le plus grand bienfait provient de la consommation du jus de céleri tout seul.

LES BIENFAITS DE L'EXTRACTION DE JUS

centrifugeuse vs. malaxation

Les extracteurs de jus à malaxation (pressage à froid/lents) utilisent des engrenages doux qui broient les aliments lentement, tandis que les centrifugeuses d'extraction de jus utilisent des lames dures et rapides qui pulvérisent les aliments. Le terme pressage à froid provient du fait qu'à l'encontre des centrifugeuses, aucune chaleur n'est générée, ce qui permet au jus de conserver tous ses éléments nutritifs et puissance enzymatique. En outre, les extracteurs à pressage à froid décomposent les fibres plus complètement et permettent ainsi de recueillir davantage de jus des mêmes ingrédients.

Le point essentiel est qu'avec les extracteurs de jus à malaxation comme le Cold Press 365, vous obtenez un jus de plus haute qualité de vos fruits et légumes frais, qui vous donne le maximum de bienfaits pour votre santé, tout en faisant des économies!



LES BIENFAITS DE L'EXTRACTION DE JUS



Les déchets alimentaires – L'appareil Cold Press 365 presse davantage de jus des aliments que les centrifugeuses, car les engrenages pressent les aliments, au lieu de les hacher/mélanger. Vous pouvez donc faire des économies en achetant moins de fruits et légumes frais.



Puissance des enzymes – L'échauffement des centrifugeuses a pour conséquence inévitable de diminuer la puissance des enzymes/éléments nutritifs des jus. Avec le Cold Press 365, aucune chaleur n'est générée qui puisse détruire les enzymes et antioxydants dans les aliments. Les aliments conservent leur intégrité nutritionnelle.



Oxydation – Les extracteurs de jus à malaxation comme le Cold Press 365 utilisent une combinaison douce de puissance élevée et de vitesse faible, qui expose les aliments à moins d'oxygène, ce qui préserve la puissance des enzymes et éléments nutritifs et fournit une valeur nutritionnelle générale supérieure.



Bruit – Le Cold Press 365 fait considérablement moins de bruit que les centrifugeuses.



Herbe de blé, jeunes pousses et légumes-feuilles – Le Cold Press 365 presse doucement le jus des aliments tendres comme l'herbe de blé, les jeunes pousses et les légumes-feuilles, tandis que les centrifugeuses les déchirent en extrayant très peu de jus. Les bienfaits de la chlorophylle contenue dans ces légumes-feuilles et herbes contribuent considérablement à l'amélioration de la santé – la chlorophylle est un nettoyant, un stimulateur de cellules antiseptiques et un promoteur de globules rouges!



Une durée de stockage prolongée – Les jus malaxés restent frais plus longtemps. Vous pouvez entreposer la plupart des jus pressés à froid dans un réfrigérateur pendant 72 heures.



LES BIENFAITS DE L'EXTRACTION DE JUS

extracteurs de jus VS. mélangeurs

Quand il s'agit de comparer les extracteurs de jus aux mélangeurs, nous les considérons comme deux choses très différentes. Le Cold Press 365 produit un jus pressé à froid et riche en éléments nutritifs que le corps absorbe facilement et efficacement. C'est d'une simplicité enfantine pour la digestion. En outre, il y a tellement d'ingrédients extrêmement sains que vous devriez consommer mais que vous ne mélangeriez JAMAIS dans une boisson fouettée! Notamment le céleri, le chou potager, les oignons et l'ail!

Nous vous encourageons à boire votre jus du Cold Press 365 dès le réveil et à jeun. Ensuite, ne mangez ou ne buvez rien pendant 15 à 30 minutes. C'est ainsi que vous en tirez les bienfaits nutritionnels optimum! Tous les enzymes et toute la nutrition sont rapidement absorbés sans AUCUN obstacle. Nous nous plaisons à considérer votre Cold Press 365 comme votre toute première pratique quotidienne d'autogestion de votre santé, dès le réveil, qui vous permet d'entamer la journée de la façon la plus saine possible, tandis qu'une boisson fouettée est un repas ou une collation.

faites les deux si vous voulez!



EXTRACTEUR DE JUS

VS

MÉLANGEUR

SÉPARE LE JUS DE LA PULPE
ET DES FIBRES

BIENFAITS :

- Une meilleure absorption des vitamines, minéraux et phytonutriments.
- Les jus sont faciles à digérer.
- Sans les fibres, vous pouvez ajouter davantage de fruits et légumes.

LES MEILLEURS
FRUITS ET LÉGUMES
À EXTRAIRE

- Pommes
- Ananas
- Carottes
- Betteraves
- Concombre
- Céleri



AUCUN RETRAIT DE PULPE
ET AUCUNE SÉPARATION

BIENFAITS :

- Rempli de fibres pour soutenir la santé digestive et aider l'élimination.
- Satisfait la faim et maintient l'énergie.
- Équilibre le taux de glycémie.

LES MEILLEURS
FRUITS ET
LÉGUMES
À EXTRAIRE

- Bananes
- Mangue
- Baies
- Avocat
- Épinards
- Micropousses





recettes pour l'inflammation

L'inflammation est tout simplement la lutte de votre système immunitaire contre un élément nocif. Il peut s'agir d'une blessure, d'un virus, d'une bactérie, de toxines ou même d'aliments que votre corps considère comme nocifs.

Une exposition prolongée à des irritants du système immunitaire, tels qu'une infection, des produits chimiques et des aliments inflammatoires peut résulter en une inflammation chronique. Des études multiples révèlent qu'une inflammation chronique est la cause de la plupart des maladies.

Des allergies et l'asthme aux maladies du cœur et au cancer, ainsi qu'aux maladies auto-immunes, y compris la polyarthrite rhumatoïde et le lupus, l'inflammation chronique est présente et joue un rôle important.

Manger des fruits et légumes s'est avéré contribuer considérablement à la réduction de l'inflammation. Les jus frais facilitent tellement l'augmentation de votre consommation des fruits et légumes qui contiennent le plus grand nombre de composés anti-inflammatoires.

Nous avons créé quelques combinaisons délicieuses faciles à préparer, faciles à boire et qui mèneront la vie dure à votre inflammation.

Pompier

Préparer et extraire le jus

4 carottes.

1 quartier d'ananas.

1 morceau de safran des Indes.

Délicieux, rafraîchissant et plein des antioxydants qui aident à éliminer l'inflammation.



Élixir de baies et pomme

Préparer et extraire le jus

2 tasses de bleuets.

2 pommes.

2 tasses d'épinards.

Les bleuets sont l'un des meilleurs aliments anti-inflammatoires! Accompagnez cela d'une pomme délicieuse et de la vitamine K qui réduit l'inflammation et se trouve dans les épinards, et vous commencerez vraiment votre journée du bon pied!



Le punch piquant

Préparer et extraire le jus

1 quartier de citron.

1 tranche de gingembre.

1 tasse de raisin.

1 botte de chou vert.

Le gingembre est un éliminateur d'inflammation bien connu. Accompagné du chou vert riche en vitamines et minéraux et de la vitamine C contenue dans le citron, ce jus est un champion formidable de la prévention.



Jus de céleri 365

Préparer et extraire le jus

1 tête de céleri.

Le jus de céleri est un anti-inflammatoire naturel! Ce jus à ingrédient unique et haute teneur en phytonutriments et antioxydants est extrêmement facile à préparer... et avaler!





perte de poids

L'idée n'est pas de perdre du poids pour être en bonne santé, mais plutôt que lorsque nous sommes en bonne santé, nous perdons l'excès de poids. Quand nous augmentons notre consommation d'aliments sains, nous évitons les aliments non sains, et en conséquence, nous perdons les kilos et centimètres indésirables. Commencer la journée en consommant un jus frais ne vous fournit pas seulement les vitamines et minéraux qui réduisent les envies irrésistibles, cela vous prépare également à passer une journée saine. Quand vous commencez par consommer quelque chose de très nutritionnel, vous avez tendance à prendre de meilleures décisions tout au long de la journée.

À votre bonne santé!



Vert et propre

Préparer et extraire le jus

- 2 citrons.**
- 4 pommes vertes.**
- 1 concombre.**

Ce savoureux mélange acidulé et hydratant, saturé d'éléments nutritifs et antioxydants est une excellente façon d'entamer la journée du bon pied.



Intensifier les betteraves

Préparer et extraire le jus

- 2 citrons.**
- 2 carottes.**
- 2 pommes.**
- 2 betteraves.**

Commencez la journée avec cet arc-en-ciel de phytonutriments et vous continuerez sans aucun doute à faire des choix sains en matière d'aliments tout au long de la journée.



Le piment dans la vie

Préparer et extraire le jus

1 citron.

1 concombre.

1 morceau de gingembre.

1 pincée de cayenne.

Réveillez votre métabolisme avec cette puissance piquante! Ces ingrédients simples sont remplis de la nutrition et la saveur dont vous avez besoin pour pimenter votre matin!



Jus de céleri 365

Préparer et extraire le jus

1 tête de céleri.

Le jus de céleri est un anti-inflammatoire naturel! Ce jus à ingrédient unique et haute teneur en phytonutriments et antioxydants est extrêmement facile à préparer... et avaler!





RECETTES

humeur

Nous sommes fatigués et irritables et nous avons du mal à nous concentrer... tout ce qui nous met normalement de mauvaise humeur. Quand nous nous ne sommes pas adéquatement hydratés et nourris, cela peut avoir un impact énorme sur notre tempérament quotidien et notre capacité à nous concentrer et faire attention. Ces recettes vous procurent ce dont vous avez besoin pour vider votre cerveau et poursuivre la journée le sourire aux lèvres.

L'effervescence du jus

Préparer et extraire le jus

2 citrons.

4 pommes vertes.

1 concombre.

Épinards.

Vous sourirez sans arrêt quand vous entamez la journée avec ce chef-d'œuvre léger, rafraîchissant et plein d'éléments nutritifs.



L'éclaireur de brouillard

Préparer et extraire le jus

1 betterave.

1 citron.

2 tranches d'ananas.

1 concombre.

Un cerveau embrumé peut être vraiment désagréable. Dégagez les cieux avec cette dose rafraîchissante, riche en vitamines et antioxydants sains.



Jus de céleri 365

Préparer et extraire le jus

1 tête de céleri.

Commencez la journée avec un jus de céleri frais et hydratant, et voyez bien comment vous sentez, sans les hauts et bas typiques de la journée!





RECETTES

énergie

Pas suffisamment de sommeil. Coup de barre de l'après-midi. C'est l'heure de faire de l'exercice et vous manquez de carburant. Il y a tellement de raisons pour lesquelles nous faisons appel au café, aux boissons énergisantes et à tout ce que nous pouvons trouver pour continuer d'avancer. Ces solutions marchent pendant un petit moment mais après, vous vous effondrez. Ces jus vous procurent l'énergie dont vous avez besoin, tout en vous offrant la nutrition et même une énergie qui ne s'effondre pas. Commencez la journée avec un jus frais, ou buvez un jus quand vous avez besoin de vous recharger et vous sentirez la différence en quelques jours.

Agua Zesta

Préparer et extraire le jus

Tranches de pastèque.
1 morceau de gingembre.

Vous adorerez commencer la journée avec ce jus magnifique et délicieux... plein de saveur, de phytonutriments, de vitamines et d'enzymes!



Gloire du matin

Préparer et extraire le jus

4 carottes.
1 morceau de gingembre.
2 citrons.

Vous adorerez commencer la journée avec ce jus magnifique et délicieux... plein de saveur, de phytonutriments, de vitamines et d'enzymes!



Jus de céleri 365

Préparer et extraire le jus

1 tête de céleri.

Oubliez le café, la meilleure façon d'entamer la journée avec un carburant propre, énergisant et nutritif... le jus de céleri. Ce jus simple à un seul ingrédient a énormément de partisans! Ils sont tous d'accord; ils ont plus d'énergie tout au long de la journée!





RECETTE

sommeil

Au sein d'un monde rempli de stress, nous avons tous du mal à passer une bonne nuit de repos. Que vous ayez du mal à vous endormir ou à rester endormi(e), les jus pleins de nutrition décrits dans cette section vous aideront à trouver le sommeil dont vous avez besoin. L'extraction de jus pour dormir donne à votre corps les vitamines et minéraux dont il a besoin pour bien se reposer. Il ne s'agit pas d'une solution rapide qui vous laissera sonné(e) le lendemain matin, adopter un style de vie à base d'extraction de jus attaque les causes du problème et vous aidera à dormir la nuit, toutes les nuits.

Les yeux clos

Préparer et extraire le jus

4 feuilles de laitue romaine.

1 poignée de persil.

1/2 concombre.

2 carottes.

1 branche de céleri.

Ajoutez ce jus réconfortant à votre routine du soir, au moins une heure avant de vous coucher. Vous remarquerez la différence en juste quelques jours.



Calmant aux agrumes

Préparer et extraire le jus

2 citrons. 2 oranges.

La vitamine C est connue pour réduire le cortisol, l'hormone de stress souvent associée aux troubles du sommeil. Dégustez ce jus délicieux au moins une heure avant de vous coucher et soyez prêt(e) à dormir toute la nuit sans interruption.



Rêveries de concombre

Préparer et extraire le jus

1 concombre. 1 citron. Pomme verte.

Les concombres ont une haute teneur en magnésium, un minéraux qui a fait ses preuves pour aider la qualité et durée du sommeil. Dégustez ce jus délicieux au moins une heure avant de vous coucher et soyez prêt(e) à dormir profondément.





constipation

Même si elle est l'un des troubles gastro-intestinaux les plus fréquemment signalés, personne n'aime parler de la constipation. Être bloqué est une sensation extrêmement désagréable. Le ballonnement, l'inconfort, la frustration... c'est plutôt horrible. Les solutions rapides et sans ordonnance ne remontent pas à la source du problème de la même façon qu'une bonne nutrition. Il vous suffit d'ajouter l'un de ces jus à votre journée et nous sommes certains que vous remarquerez un « mouvement » dans la bonne direction.

La licorne

Préparer et extraire le jus

½ tête de chou rouge.

2 citrons.

1 pomme.

Le chou potager arrive souvent à ramollir les selles, ce qui peut aider à tout faire passer. Mais qui aime vraiment manger le chou potager? Vous pouvez désormais boire cette boisson délicieuse et magnifique. Vous n'arriverez pas à croire combien le jus est beau!



Propre et vert

Préparer et extraire le jus

1 poire

1 citron.

2 poignées d'épinards.

Les poires ont toujours été un fruit favori quand la conversation tourne à la constipation. Ce mélange rafraîchissant a toutes les vitamines, les minéraux et les enzymes dont vous avez besoin pour permettre à votre suc digestif de circuler.





Omega®

Agradecimiento _____	94
Disposiciones de seguridad importantes _____	95-96
Conoce tu Omega _____	97
Ensamblaje de inicio rápido _____	98
Cómo ensamblar _____	99
Instrucciones de funcionamiento _____	100
Esterilización y limpieza fácil _____	101
Precauciones para un uso seguro _____	102-104
Si la barrena deja de funcionar _____	105
Sugerencias y consejos _____	106
Solución de problemas _____	107
Especificaciones del producto _____	108
Beneficios de beber jugos _____	110-124
Recetas _____	126-140







¡GRACIAS!

FELICITACIONES por la compra de tu nuevo Omega Cold Press 365.

En Omega nos esforzamos por desarrollar máquinas tecnológicamente avanzadas que brinden de la forma natural más pura, valor nutricional y sabor de la más alta clase. Nos motivan ustedes por su respaldo a nuestra marca. Tu entusiasmo nos ayuda a continuar reinventando y renovando nuestra línea de extractores de jugo, licuadoras de alta velocidad y equipos para bebidas. ¡Nuestro equipo en Omega agradece el respaldo que nos han dado por más de 50 años!

Acompáñanos en:

INSTAGRAM @OmegaJuicing

FACEBOOK @OmegaJuicers

PARA REGISTRAR EL PRODUCTO, VISITAR:

www.omegajuicers.com/omega-warranty-registration

PARA RECETAS, VISITAR:

www.omegajuicers.com/recipes

SERVICIO AL CLIENTE:

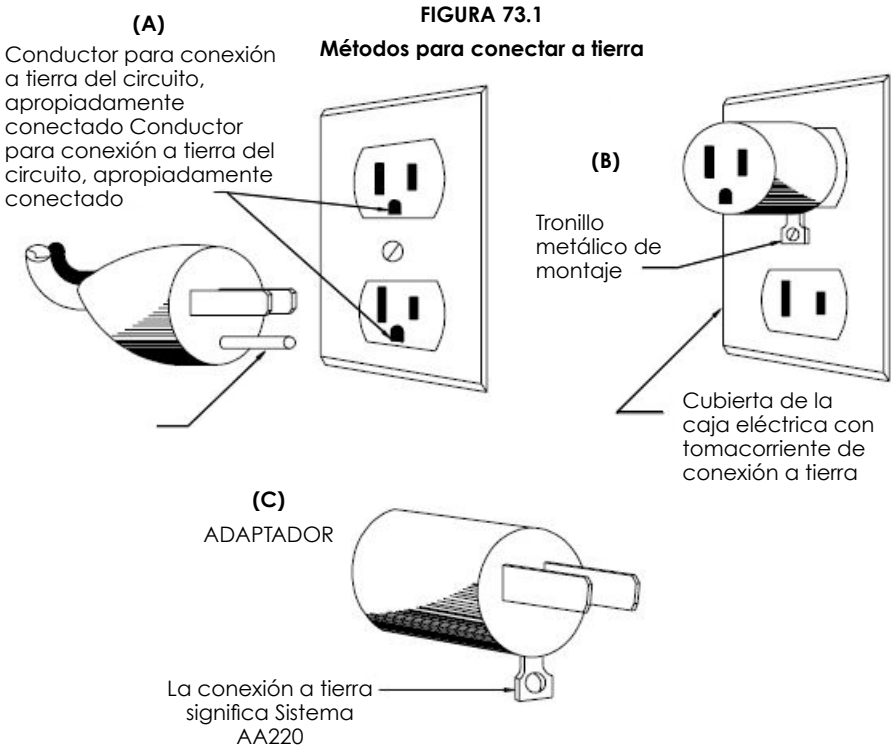
Visita: www.omegajuicers.com

Luego de usar tu equipo Omega, te pedimos que, por favor,
des tu calificación en www.OmegaJuicers.com

DISPOSICIONES DE SEGURIDAD IMPORTANTES

ADVERTENCIA: INSTRUCCIONES PARA CONECTAR A TIERRA.

Al usarse, este electrodoméstico tiene que estar conectado a tierra para proteger al operador contra descarga eléctrica. El electrodoméstico cuenta con un cable de 3 conductores con enchufe de 3 espigas del tipo de conexión a tierra para encajar en el receptáculo apropiado correspondiente. El electrodoméstico tiene un enchufe similar al **diagrama A** en la **Figura 73.1**. Un adaptador —**diagrama B**— debe usarse a fin de conectar los enchufes del **diagrama A** a receptáculos para dos espigas. La lengüeta para conectar a tierra que se extiende desde el adaptador tiene que conectarse a tierra de manera permanente mediante dispositivo tal como una caja eléctrica con tomacorriente de apropiada conexión a tierra, como se muestra en el **diagrama C**, usando un tornillo metálico.



DISPOSICIONES DE SEGURIDAD IMPORTANTES

Al usar el electrodoméstico deben seguirse siempre las precauciones básicas de seguridad, incluyendo las siguientes.

1. LEE TODAS LAS INSTRUCCIONES ANTES DE USAR.
2. Para evitar descargas eléctricas, no sumerjas el cable, el enchufe ni el cuerpo (motor) en agua u otro líquido.
3. Este electrodoméstico no fue diseñado para usarse por personas (incluyendo niños) con capacidades físicas o mentales disminuidas, o que carezcan de experiencia y conocimientos, a menos que estén bajo estrecha supervisión y reciban instrucción sobre el uso del electrodoméstico por alguna persona responsable de la seguridad de todos. Es necesario vigilar atentamente cualquier electrodoméstico usado por o cerca de niños. Los niños deben ser supervisados para garantizar que no jueguen con el electrodoméstico.
4. Asegúrate de que el electrodoméstico esté apagado y desenchufado cuando no esté en uso o antes de ensamblar/desensamblar o limpiar.
5. Evita el contacto con las partes móviles. Desenchufa la unidad del tomacorriente cuando no se esté en uso, antes de colocar o retirar piezas y antes de limpiar.
6. No uses el electrodoméstico si el cable, el enchufe, o alguna otra parte, están dañados. Ponte en contacto con el fabricante (consulta la garantía).
7. El uso de accesorios no recomendados o vendidos por el fabricante puede causar incendios, descarga eléctrica o lesiones.
8. No dejes que el cable cuelgue del borde de una mesa o mostrador ni que entre en contacto con superficies calientes.
9. Siempre asegúrate de que la cubierta del extractor de jugos esté bien sujeta en su lugar antes de encender el motor. No zafes las abrazaderas mientras el extractor de jugos esté en funcionamiento.
10. Asegúrate de apagar el interruptor tras cada uso de tu extractor de jugos. Asegura que el motor se detenga completamente antes de desarmar.
11. NO pongas tus dedos ni otros objetos en el extractor de jugos mientras está en funcionamiento. Si se atascan alimentos en la abertura, usa el empujador de alimentos u otro pedazo de fruta o vegetal para empujarlos hacia abajo. Si por este método no es posible desatascar, apaga la máquina, retira el enchufe del tomacorrientes de pared y desarma el extractor de jugos para retirar los restos de alimentos.
12. No usar en exteriores.
13. No colocar sobre o cerca de gas caliente, quemador eléctrico u horno calentado.
14. No uses este equipo eléctrico para fines diferentes a aquellos previstos.
15. Mantén las manos y los utensilios alejados de las cuchillas o discos en movimiento mientras procesas los alimentos para reducir el riesgo de lesiones graves a las personas o daños al procesador de alimentos. Se puede usar un raspador, pero únicamente cuando el procesador de alimentos no esté en funcionamiento.
16. Las cuchillas están afiladas. Manipula con cuidado.
17. Mantén el electrodoméstico limpio. Consulta las instrucciones de mantenimiento y limpieza en este manual.
18. NO lo enchufes hasta que estés familiarizado con todas las instrucciones y procedimientos operativos.
19. NO lo desenchufes del tomacorriente tirando del cable. Para desconectar, agarra el enchufe, no el cable, y hala.
20. Apaga todos los controles antes de desenchufar o enchufar a un tomacorriente.
21. Este aparato no puede moler la carne.
22. Revisa la tolva en busca de objetos extraños antes de usar.
23. Piezas móviles: mantén los dedos fuera de las aberturas de descarga.
24. Cuchilla afilada: siempre usa el empujador de alimentos.
25. Tiempo de funcionamiento nominal: menos de 10 minutos.

CONSERVE ESTAS INSTRUCCIONES

CONOCE TU OMEGA



A Empujador

B Tolva

C Conducto de alimentación

D Sistema de bloqueo de seguridad

E Colador de jugo

F Tazón de jugo

G Salida de la pulpa

H Boquilla para jugo con solapa

I Pantalla digital

J Función de 2 velocidades (lenta y rápida)

K Función de reversa

L On/Off (Encendido/apagado)

M Patas firmes antirresbalantes

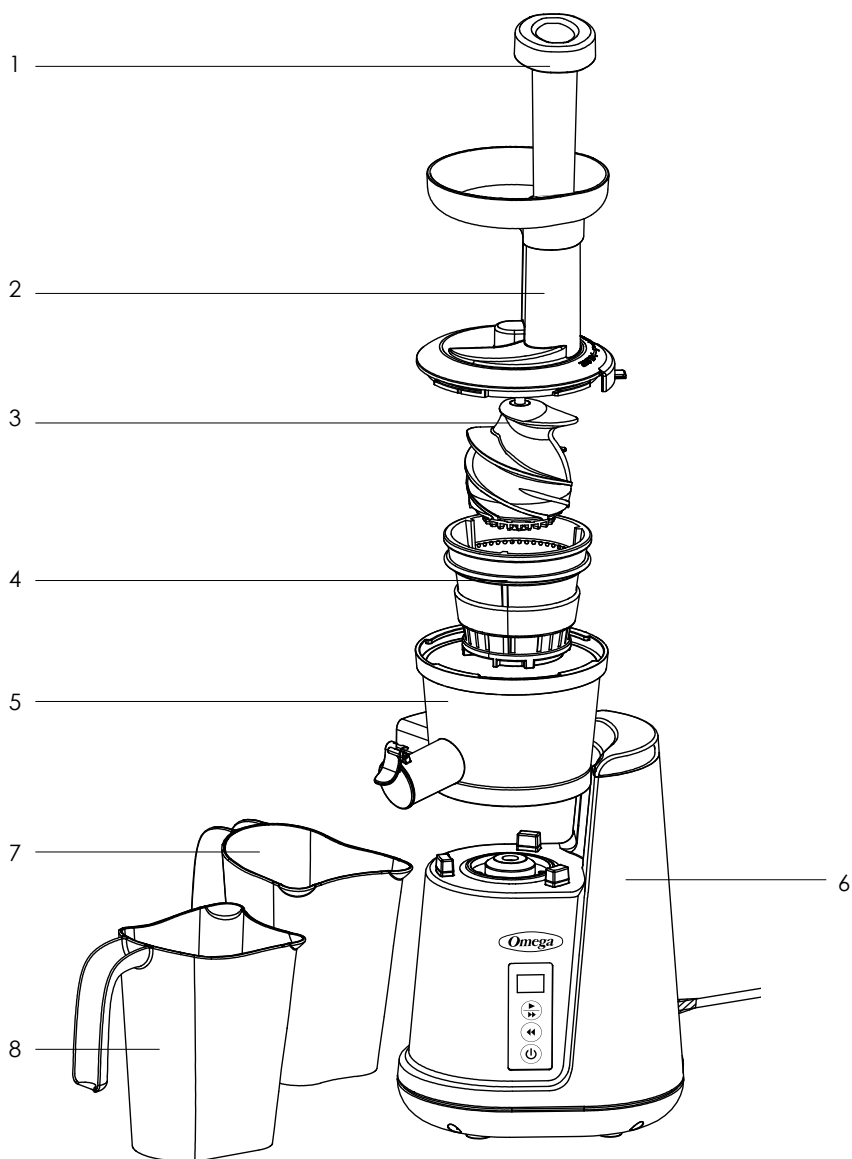
N Barrena trituradora

O Contenedor de jugo

P Envase para pulpa

SIN IMAGEN Cepillo de limpieza

ENSAMBLAJE DE INICIO RÁPIDO



1 Empujador

2 Tolva

3 Barrena trituradora

4 Colador de jugo

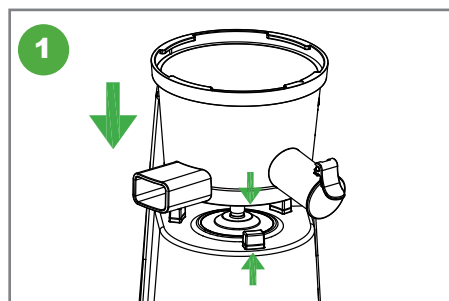
5 Tazón de jugo

6 Base

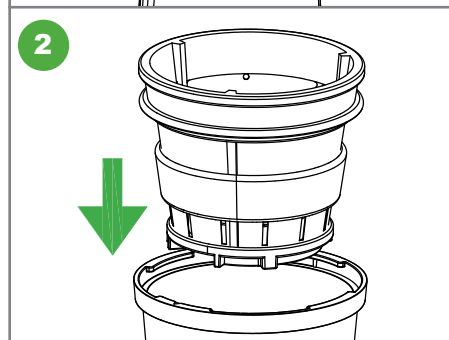
7 Envase para pulpa

8 Contenedor de jugo

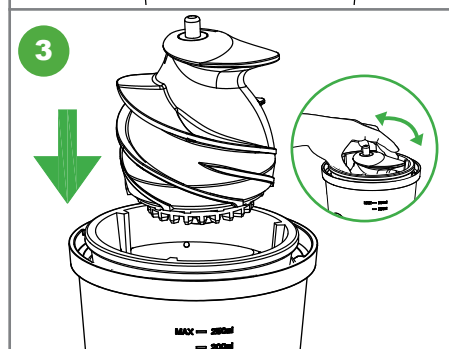
CÓMO ENSAMBLAR



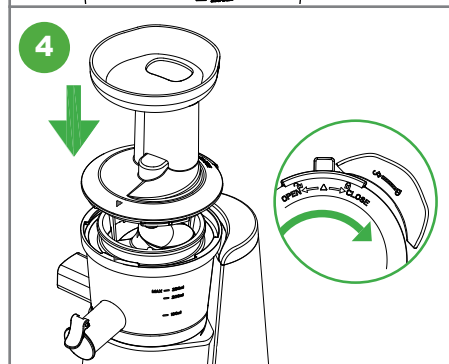
Colocar el tazón para jugo en la base del motor comprobando que esté alineado con la columna del motor principal.



Colocar la malla en el tazón para jugo, alineando los puntos rojos, presionando hacia abajo hasta que esté completamente insertada.

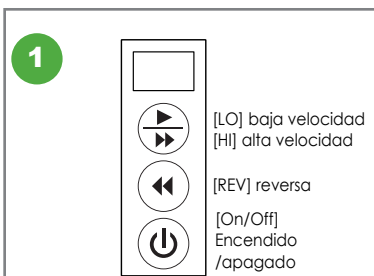



A continuación, colocar la barrena trituradora dentro de la malla. Gira hacia la izquierda y hacia la derecha asegurándote de que esté insertada.




Coloca la tolva sobre el tazón para jugo. Gira la tolva hacia la derecha hasta que esté completamente asegurada.


INSTRUCCIONES DE FUNCIONAMIENTO

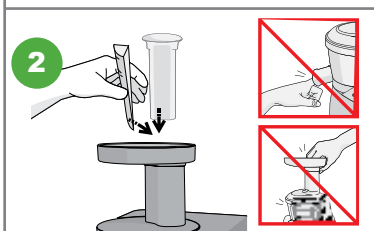


Presiona “” para encender.

Presiona “” una vez para la configuración predeterminada de alta velocidad para frutas y verduras más duras.


o

Presiona “” dos veces para la configuración predeterminada de baja velocidad para frutas y verduras más blandas.

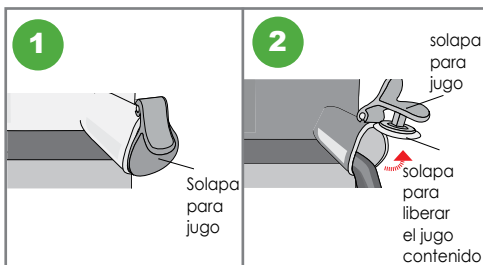


Coloca gradualmente los ingredientes en el conducto de la tolva y presiona hacia abajo con el empujador.



After the extraction is complete, press “” to turn off. Please note that the juicer will automatically run in reverse briefly before turning off.

SOLAPA PARA JUGO

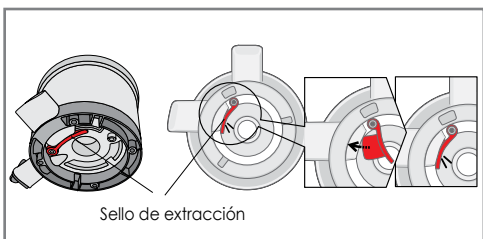


Cierra la solapa para jugo para mezclar diferentes jugos mientras se extrae el jugo. Asegúrate de que el jugo no pase de la línea “MAX”.

Abre la solapa para liberar el jugo contenido en el recipiente de jugo.

Si deseas mezclar jugo adicional, vuelve a cerrar la solapa y continúa haciendo jugo de la misma manera.

SELLO DE EXTRACCIÓN



El tapón de silicona para la pulpa se encuentra en la parte inferior del tazón para jugo. Antes de usar, comprueba que el sello esté cerrado. Para la limpieza, abre el sello de extracción y lava los alimentos atascados.

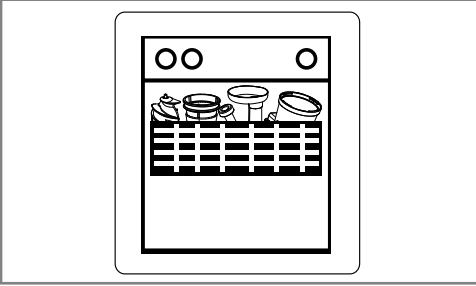
LIMPIEZA

LIMPIEZA DIARIA



Es importante fregar siempre todos los lados y superficies de las piezas del extractor de jugos con agua tibia, jabón líquido para platos y un cepillo de fregar después de cada uso para eliminar los minerales y la suciedad.

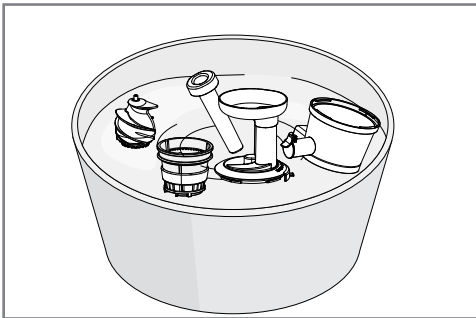
SISTEMA DE LIMPIEZA FÁCIL



Cuando termines de extraer el jugo, las partes extraíbles se pueden lavar en la rejilla superior del lavavajillas.

Asegúrate de que el agua no pase más allá de los 140 °F (60 °C)

LIMPIEZA PROFUNDA



Se debe realizar una limpieza profunda aproximadamente una vez al mes, o según sea necesario, según la frecuencia de uso. Para hacer una limpieza profunda, necesitarás un recipiente de un galón lleno de agua tibia y aproximadamente una taza de jabón líquido para lavavajillas, que es lo que se necesita específicamente para eliminar la acumulación de minerales.

Deja las piezas en remojo durante media hora, luego enjuaga bien y seca por completo.

Asegúrate de que el agua no pase más allá de los 140 °F (60 °C)

PRECAUCIONES PARA UN USO SEGURO

Todos los usuarios de este aparato deben leer y entender estas precauciones de seguridad antes de operarlo.

MUESTRAS DE SIGNOS



Este signo indica contenidos que pueden producir riesgo de incendio o de descarga eléctrica.

Una advertencia específica está escrita en el signo.



Esta señal indica actos no permitidos.

Prohibiciones específicas están escritas alrededor o en el signo.



Esta señal indica contenido de acciones de regulación o dirección.

Prohibiciones específicas están escritas alrededor de la señal.

PRECAUCIONES



PRECAUCIÓN

Peligros de prácticas inseguras que podrían provocar lesiones personales menores o daños al aparato.



NO CONECTAR O DESCONECTAR CON LAS MANOS MOJADAS.

Puede provocar una descarga eléctrica o una lesión.



NO USAR CON UN VOLTAJE DIFERENTE AL ESPECIFICADO

Puede provocar una descarga eléctrica, incendio o un desempeño anormal. Si el voltaje es diferente, puede reducir la vida del motor o provocar una falla.



CONECTE EL ENCHUFE CORRECTAMENTE Y PRESÍONELO FIRMEMENTE EN EL TOMACORRIENTE DE PARED.

Puede provocar una descarga eléctrica o un incendio.



SI EL CABLE DE ALIMENTACIÓN ESTÁ DAÑADO, DEBE SER REMPLAZADO POR EL FABRICANTE, SUS REPRESENTANTES DE SERVICIO O PERSONAS DE IGUAL CALIFICACIÓN PARA EVITAR UN PELIGRO.

Si el cable de alimentación está dañado, puede provocar una descarga eléctrica o un incendio.



NUNCA ALTERE EL APARATO, TAMPOCO LO DESENSAMBLE O LO REPARE POR USTED MISMO. NO INSERTE LOS DEDOS, SUSTANCIAS EXTRAÑAS U OBJETOS COMO PASADORES EN LOS ORIFICIOS DE LA BASE.

Puede provocar un incendio, una descarga eléctrica o una falla.

Para cualquier soporte técnico, contacte al Centro local de Atención al Cliente. Todos los usuarios de este aparato deben leer y entender estas precauciones de seguridad antes de operarlo.

PRECAUCIONES PARA UN USO SEGURO



NO MOJE LA BASE NI SALPIQUE AGUA SOBRE LA BASE.

Tenga cuidado de no permitir que ningún líquido u otra sustancia entre al interruptor del aparato. **NO OPERE EL INTERRUPTOR CON LAS MANOS MOJADAS.** Puede provocar una descarga eléctrica o un incendio.



CUANDO EL ENCHUFE O CABLE DE ALIMENTACIÓN ESTÉ ROTO O DAÑADO O SI EL ENCHUFE SE SUELTA, NO OPERE EL APARATO.

Puede provocar una descarga eléctrica, un incendio o una lesión.



POR SEGURIDAD, DEBE HABER UNA CONEXIÓN A TIERRA. NO HAGA LA CONEXIÓN A TIERRA EN TUBERÍA DE GAS, TUBO PLÁSTICO PARA EL AGUA, CABLE TELEFÓNICO, ETC.

Puede provocar una descarga eléctrica, un incendio, un mal funcionamiento o una explosión. Asegúrese de usar el tomacorriente con conexión a tierra.



NUNCA DESMONTE EL CONJUNTO DEL TAZÓN DURANTE LA OPERACIÓN NI INSERTE LOS DEDOS U OBJETOS EXTRAÑOS COMO TENEDORES, CUCHARAS, ETC.

Puede provocar una lesión, un accidente o una falla.



ESTE APARATO NO DEBE SER USADO POR PERSONAS (INCLUYENDO NIÑOS) CON DISMINUCIÓN DE LA CAPACIDAD FÍSICA, SENSORIAL O MENTAL O SIN LA EXPERIENCIA Y LOS CONOCIMIENTOS ACERCA DE CÓMO UTILIZAR EL APARATO, A MENOS QUE SE LES BRINDE SUPERVISIÓN O INSTRUCCIÓN ACERCA DEL USO DEL APARATO POR PARTE DE UNA PERSONA RESPONSABLE DE SU SEGURIDAD.

Los niños deben ser supervisados para asegurarse de que no jueguen con el aparato.



NO SE OPERE SIN ASEGURAR CORRECTAMENTE LA TOLVA.

Puede provocar una lesión o una falla.



AL DETECTARSE UNA FUGA DE GAS, NO ENCHUFE EL CABLE DE ALIMENTACIÓN EN LA RANURA DEL TOMACORRIENTE. ABRA LA VENTANA PARA VENTILAR TOTALMENTE Y DE FORMA INMEDIATA.

Puede provocar una lesión o una falla.



SI LA ROTACIÓN DEL TORNILLO SE DETIENE DURANTE LA OPERACIÓN NORMAL, PRESIONE EL BOTÓN [REVERSA/REV] Y SOSTÉNGALO DURANTE 2 A 3 SEGUNDOS Y LUEGO, CUANDO LA OPERACIÓN EN REVERSA SE DETENGA POR COMPLETO, PRESIONE EL BOTÓN [ON] DE NUEVO.

Si tal evento de paro continúa durante la operación, las partes pueden estar dañadas y el desempeño puede deteriorarse debido al sobrecalentamiento del motor. Si el problema continúa, detenga de inmediato el aparato y contacte al Centro local de Atención al Cliente.



NUNCA INTRODUZCA UN DEDO, UN TENEDOR O UNA CUCHARA, ETC. EN LA SALIDA DEL JUGO.

Puede provocar una lesión o una falla.

PRECAUCIONES PARA UN USO SEGURO



DURANTE LA OPERACIÓN, NO INTENTE MOVER LA BASE O DESMONTAR EL CONJUNTO DEL TAZÓN NI TRATE DE ASEGURARLOS.

Puede provocar una lesión o una falla. En cualquier situación o evento donde sea necesario, primero apague el interruptor y después desconecte el cable de alimentación.



AL USAR EL APARATO, TENGA CUIDADO DE QUE CORBATAS, COLLARES LARGOS, BUFANDAS, ETC. NO SE ENREDEN EN EL TUBO DE ALIMENTACIÓN.

Puede provocar una lesión, una falla o una ruptura.



COLOQUE EL APARATO SOBRE UNA SUPERFICIE PLANA Y ESTABLE.

Puede provocar una lesión o una falla.



NO OPERE EL APARATO DURANTE MÁS DE 10 MINUTOS SEGUIDOS.

Puede provocar una falla del motor debido al sobrecalentamiento. Deje que se enfríe lo suficiente durante 5 minutos y opérela de nuevo.



AL COLOCAR INGREDIENTES DENTRO DEL TUBO DE ALIMENTACIÓN, USE SOLAMENTE EL EMPUJADOR QUE SE INCLUYE.

Puede provocar una lesión o falla.



NO PERMITA UN GOLPE SEVERO AL APARATO NI LO DEJE CAER.

Puede provocar una descarga eléctrica, un incendio o una lesión.



SI EL APARATO EMITE UN OLOR DESAGRADABLE O CALOR EXCESIVO O HUMO, DEJE DE USARLO INMEDIATAMENTE Y CONTACTE AL CENTRO DE ATENCIÓN.

Al usar un aparato nuevo, este emite un olor que desaparece con el tiempo.



SIEMPRE DESCONECTE EL APARATO DESPUÉS DE SU USO. AL DESCONECTAR EL CABLE DE ALIMENTACIÓN, ASEGÚRESE DE SUJETAR EL ENCHUFE.

Si se sujeta el cable para desconectarlo, puede provocar una descarga eléctrica o un incendio.



NO LAVAR A ALTAS TEMPERATURAS DE 60 ° C (140 ° F) O MÁS. NO COLOQUE EL APARATO EN LA LAVAVAJILLAS, SECADORA O MICROONDAS, ETC.

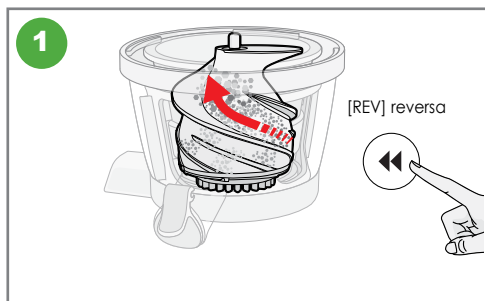
Puede provocar un fallo o la deformación de las piezas.



EL APARATO PESA ALREDEDOR DE 3.5KG (7.7 LB). AL MOVER EL APARATO, ASEGÚRESE DE HACERLO SUJETANDO FIRMEMENTE EL FONDO DE LA BASE CON AMBAS MANOS.

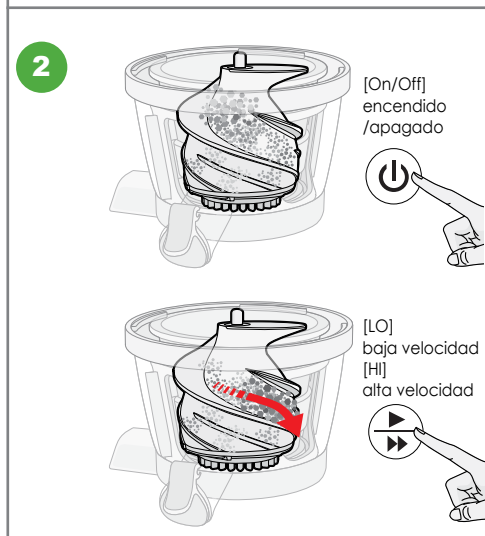
Si trata de sostenerlo por el tazón o el borde de la base, la base se puede caer provocando una lesión o una falla.

SI LA BARRENA DEJA DE FUNCIONAR



Presiona el botón [Rev] de 3 a 5 segundos y luego suéltalo. Cuando se suelta el botón [Rev], la barrena trituradora dejará de girar. Repite esto 2 o 3 veces.

El botón [Rev] empuja los ingredientes hacia arriba, liberando la obstrucción de alimentos.



Presiona el botón [ON/OFF] y selecciona una velocidad para comenzar. Al usar el botón [ON] (encendido) o [Rev] (reversa), asegúrate de que la barrena trituradora se detenga completamente tras parar o soltar el botón

Nota: Si el extractor de jugo sigue sin funcionar aún después de seguir las instrucciones anteriores, por favor desconecta el cable eléctrico, desarma el juego de la cámara y límpialo. Luego intenta de nuevo.

SUGERENCIAS Y CONSEJOS

• Use precaución al extraer jugos de los siguientes ingredientes:

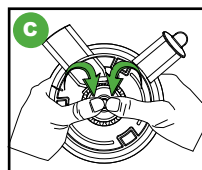
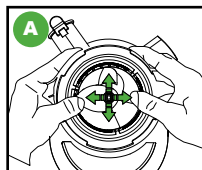
- Frutas como ciruelas, duraznos y chabacanos, que tienen semillas duras deben quitarse antes de la extracción.
- Las verduras con tallos fibrosos como el perejil de agua, apio, etc. deben cortarse en trozos pequeños antes de la extracción.
- No use ajonjolí, granos de café, cortezas de árbol, pimiento chino, etc. ya que no pueden procesarse.
- No use frutas conservadas en alcohol, azúcar, miel, etc. Puede provocar daño o falla.

• Cuando exprimas el apio, sigue estos pasos:

1. Cuando exprimas el apio, mantén abierta la tapa del jugo y no uses más de 1 libra de tallos de apio frescos a la vez.
2. Debido a que el apio contiene una gran cantidad de minerales y fibra, la pulpa puede atascarse en la barrena trituradora y el cesto del filtro después de exprimir una gran cantidad de apio.

Para eliminar la pulpa:

- A) Retira la barrena trituradora, el cesto del filtro y el recipiente para jugo de la base principal y colócalos en el fregadero.
- B) Usa un movimiento de agitación suave para sacar la pulpa de la barra trituradora y el cesto del filtro.
- C) Gira el tazón de jugo boca abajo y empuja suavemente hacia abajo en el centro de la barrena trituradora.



- No vuelva a introducir la pulpa que ha sido procesada, excepto para frutas suaves. Las frutas suaves pueden ser procesadas de nuevo.
- No use este dispositivo para moler granos. Puede provocar daño o una falla.
- Recomendamos que consuma el jugo de inmediato después de haberlo extraído.
- No use el aparato por más de 10 minutos seguidos. Puede provocar falla debido a sobrecalentamiento del motor.
- Es importante limpiar a fondo todas las piezas con tu cepillo de limpieza, agua tibia y líquido para lavar platos para eliminar los minerales y la suciedad después de cada uso.
- No intente abrir el extractor de jugos mientras está en uso. Asegúrate de que el extractor de jugos esté apagado sin movimiento o que no gotee jugo en caso de que sea necesario abrir la tapa superior.
- Para liberar la pulpa acumulada, usa la función de reversa (Reverse Function) durante 5 segundos.
- Este extractor de jugos no está diseñado para hacer jugo de pastos, como el pasto de trigo.
- Si la máquina no se usa durante 10 minutos o tiene un sobrecarga de energía, se apagará automáticamente.
- Opciones de configuración:
 - La configuración "High" es para frutas y verduras duras.
 - La configuración "Low" es para frutas y verduras blandas.

SOLUCIÓN DE PROBLEMAS

Por favor resuelva los problemas usando las siguientes indicaciones antes de contactar a Servicio al Cliente de Omega para reparación o servicio. Al contactar a Omega para servicio post-venta, por favor tenga a la mano el número de serie del fabricante o el código de barras.

El aparato no funciona

- Asegúrese de que el cable de alimentación esté enchufado correctamente.
- Asegúrese de que la tolva esté ensamblada de forma correcta. Si la tolva no está asegurada en su lugar, el aparato no funcionará.
- Asegúrese de que el aparato esté ensamblado de acuerdo con las instrucciones de este manual. Consulte las instrucciones.
- Si el aparato aún no funciona, por favor contacte al Servicio al Cliente de Omega para ayuda adicional.

La tolva no se abre

- Si hay mucha pulpa dentro de la cámara, presione el botón [On] para liberar el exceso de pulpa.
- Verifique la presencia de cualquier sustancia extraña u objeto sólido, incluyendo semillas.
- Presione el botón [Rev] para empujar hacia arriba los ingredientes.
- No intente abrir a la fuerza. Si el aparato aún no funciona, por favor contacte al Servicio al Cliente de Omega para ayuda adicional.

El aparato se detiene durante la operación normal

- Verifique si hay trozos grandes de alimentos atascados en el aparato.
- Consulte en el manual la sección "Cuando el tornillo sin fin deja de funcionar" y siga las instrucciones respecto al botón [Rev].
- Si el aparato aún no funciona, por favor contacte al Servicio al Cliente de Omega para ayuda adicional.

Hay líneas finas o marcas de raspones alrededor del tornillo sin fin

- Esto es normal. No se preocupe. Estas son marcas del molde producidas por el proceso normal de fabricación.

El jugo se tira sobre la base

- Verifique si hay una cantidad excesiva de ingredientes en el tubo de alimentación de la tolva.
- Si intenta extraer jugo de una cantidad grande de alimento comparado con la salida de la pulpa, el empaque podría ser empujado hacia afuera ligeramente. El jugo podría tirarse fuera de esta apertura.
- No fuerce demasiada comida en el extractor. Empuje los alimentos de forma gradual para la extracción.
- Verifique y asegúrese de que la tapa del jugo esté cerrada.

El extractor se agita al estar en operación

- Esto es normal, a medida que el tornillo sin fin gira. No se trata de ningún mal funcionamiento. Los ingredientes duros como las zanahorias, papas, rábanos, betabel, etc. pueden provocar un movimiento mayor que los ingredientes suaves.
- Dependiendo de la firmeza de los ingredientes, podría haber un movimiento más pronunciado del motor.
- El movimiento ligero puede ser provocado por el motor.

ESPECIFICACIONES DEL PRODUCTO

Nombre del producto	Omega Cold Press 365 Vertical Juicer
Modelo	JC3000
Voltaje nominal	120 VAC
Frecuencia nominal	60 Hz
Consumo de energía nominal	120 W
RPM	45-80 RPM
Extension del cordón	1.2 mm (47")
Motor	Single-Phase Induction Motor
Peso	3.5 kg (7.7 lb)
Medidas exteriores	160 mm (Ancho: 6.3") 225 mm (Profundidad: 8.8") 440 mm (Altura: 17.3")
Tiempo de operación nominal	Menos de 10 minutos





beneficios de beber jugos



El metabolismo
está transformando
los alimentos en
energía

¿Viste cuando comes mucho y no te puedes mover?

Eso es porque toda tu energía se dirige a la digestión, absorción y metabolización de los alimentos. Al comer alimentos sólidos, la masticación y las enzimas descomponen los alimentos al buscar los nutrientes en su interior.

Con el Omega Cold Press 365, se extraen todos los nutrientes para que tu cuerpo no tenga que hacer el trabajo. Incluso si tienes un sistema digestivo comprometido, los nutrientes que aporta el jugo exprimido se absorben en tus células con mayor eficiencia para que toda tu energía pueda dedicarse a sanar y enfrentar tu ajetreado día en lugar de dedicarse a la digestión.



BENEFICIOS DE BEBER JUGOS

No veas a los jugos como un reemplazo de comidas, míralo como una práctica de autocuidado diario.

Con Sólo Un Omega Cold Press 365 Al Día-

Tu cuerpo se vuelve más alcalino.

¿Bebes gaseosas? ¿Café? ¿Alcohol? ¿Comes comida procesada? ¿Carne? ¿Lácteos? ¿Cereales, huevos, frutos secos...azúcar? No estás solo pero cuando ingieres una cantidad demasiado grande de estos alimentos ácidos y no suficientes vegetales, el PH de tu cuerpo se puede volver rápidamente demasiado ácido y comenzará a extraer minerales alcalinizantes, como el calcio, directamente de tus huesos para equilibrar el PH de tu sangre.

Tu cuerpo necesita alimentos alcalinos para equilibrar los alimentos ácidos, ¡y las plantas son los principales alcalinizantes! Comenzar tu día con un vaso de jugo verde exprimido nutritivo y alcalinizante es la manera más eficiente de evitar algunos de los problemas de salud aterradores asociados con ser demasiado ácido...como las piedras en el riñón, enfermedad cardiaca, osteoporosis, problemas de hígado e incluso cáncer.

Conoce el pH de tu cuerpo

ALKALINE

NEUTRAL

ACIDIC

pH ¿Qué es el PH?
La medida de cuán ácida o alcalina es tu sangre.

¿Cómo se equilibra el PH?
El cuerpo trabaja para crear el equilibrio.
La forma ideal de equilibrar el PH es ingerir alimentos alcalinos.

¿Cuáles son los alimentos alcalinos?
La mayoría de las frutas, vegetales, hierbas, frutos secos y semillas son alimentos formadores de alcalinidad.



Tu salud intestinal mejora.

No puedes ir a ningún lado sin oír acerca de la salud intestinal. ¿Y por qué? Porque prácticamente TODOS sufrimos de algún tipo de problema intestinal...y CUALQUIER COSA que hagamos para optimizar la manera en que digerimos, absorbemos y utilizamos los alimentos que ingerimos, más saludables seremos. Si tu salud intestinal se encuentra comprometida, puede afectar cada aspecto de tu salud. Las señales que indican que puedes tener algunos problemas intestinales incluyen: gases e hinchazón, problemas en la piel como acné y eczema, aumento de peso, fatiga, cambios en el estado de ánimo y depresión, dificultad para concentrarse...incluso dolor en las articulaciones. Todas estas señales pueden apuntar nuevamente a una salud intestinal comprometida...pero adivina qué...¡puedes ayudar a sanar tu intestino con un jugo verde al día! Al beber jugos, los compuestos de la planta son entregados a tu cuerpo de manera fácil de digerir. Es tan fácil de digerir que sabes que puedes absorber las vitaminas, minerales y nutrientes que necesitas para reconstruir tu pared intestinal. ¡El jugo de apio y brócoli puros son ideales para esto! Pueden reducir la inflamación intestinal y sellar un intestino con fugas, mejorando tu salud intestinal que a su vez mejora tu salud general y calidad de vida.

Señales que indican que puedes tener problemas intestinales: _____

- ✓ Sensibilidades o alergias alimenticias
- ✓ Problemas digestivos como gases e hinchazón
- ✓ Aumento de peso
- ✓ Problemas en la piel como acné, eczema y rosácea
- ✓ Fatiga
- ✓ Cambios en el estado de ánimo
- ✓ Trastornos autoinmunes
- ✓ Depresión
- ✓ Ansiedad
- ✓ Dificultad para concentrarse





BENEFICIOS DE BEBER JUGOS



Tu acumulación tóxica se elimina.

Es imposible eliminar las toxinas en el mundo moderno. Se encuentran en el agua, en el plástico, en tu ropa, tus muebles, el aire...las toxinas son imposibles de evitar. El hígado es el órgano principal para limpiar las toxinas, pero debes nutrir tu hígado para que haga bien su trabajo. Los jugos verdes son excelentes para el hígado, especialmente vegetales crucíferos como el brócoli, el repollo y col china. Cuando las toxinas se acumulan en tu cuerpo, simplemente no te sientes bien. Tal vez no sea el tipo de síntomas que hacen que corras al médico, pero algunos indicadores comunes de que necesitas una desintoxicación incluyen: mal aliento, fatiga general, dolores, problemas en la piel como acné y erupciones e incluso aumento de peso. Un jugo verde al día puede eliminar esas toxinas, hacer que tu hígado esté en forma y hacer que vuelvas a ser tú mismo nuevamente en unas pocas semanas.



BENEFICIOS DE BEBER JUGOS

¿POR QUÉ COMER TODO ESTO?
¡EXTRAE EL JUGO!



FÁCIL DE BEBER

+

FÁCIL DE DIGERIR

Tu sistema inmune se fortalece.

Los jugos verdes exprimidos están llenos de vitaminas y minerales que se absorben fácilmente en tus células. Beber jugos exprimidos a diario pueden incrementar rápidamente los niveles de antioxidantes que necesitas para combatir tu enfermedad, como el betacaroteno que se encuentra en las zanahorias, las remolachas y la espinaca. O la nutritiva vitamina E, que se ha comprobado que ralentiza el proceso de envejecimiento, en la acelga, los pimientos rojos y el brócoli. ¡Y a no olvidarse del rey de los antioxidantes, la vitamina C, de jugos exprimidos preparados con col rizada, tomate y toronja! Tu proceso de envejecimiento se ralentiza.

Los radicales libres provocan estrés oxidativo. El estrés oxidativo produce envejecimiento. Los antioxidantes neutralizan el estrés oxidativo. Entonces, el consumo de una mayor cantidad de antioxidantes, que se encuentran en cantidades concentradas en frutas y vegetales, comenzará a poner un freno al proceso de envejecimiento.

Tu ingesta de productos aumenta.

¿Cuántas personas están consumiendo al menos 5 porciones de frutas y vegetales a diario?

- Menos del 1% de hombres y 4% de mujeres de entre 18 y 24 años
- Menos del 6% de hombres y 9% de mujeres de entre 25 y 34 años
- Menos del 14% de hombres y 16% de mujeres de entre 35 y 49 años
- Menos del 24% de hombres y 22% de mujeres de entre 50 y 64 años

Estudios realizados en el University College de Londres descubrieron que aquellos que ingirieron más de 7 porciones de frutas y vegetales al día (siendo una porción de fruta 1 taza y 2 tazas para las verduras de hojas verdes) tuvieron un 42% MENOS DE PROBABILIDADES de morir prematuramente.

También descubrieron que estas personas tuvieron un 25% MENOS DE PROBABILIDADES de morir de cáncer.

Tu nivel de energía aumenta.

Una porción de jugo verde proporciona un montón de vitaminas y minerales esenciales y de fácil digestión. Cuando tu cuerpo recibe esta nutrición, a diario, tus niveles de energía incrementan naturalmente...sin cafeína o bebidas energizantes.



el jugo perfecto

El poder del jugo de apio

Beber jugos de apio a diario es una de las prácticas más rápida y efectiva beneficiosas para la salud que puedes agregar a tu rutina diaria. Con los jugos de apio a diario puedes comenzar cada día con el pie derecho con una gran cantidad de vitaminas, minerales, fitonutrientes, enzimas y clorofila altamente condensados y de fácil digestión. Nos gusta considerar al jugo de apio más como medicina que como un alimento. Cada vaso contiene tanta nutrición que sólo uno al día transformará tu salud, energía y perspectiva de vida, ¡en especial si no has ingerido suficientes productos lácteos!

Aunque no te gusten los vegetales, un jugo de apio a diario te ayuda a recibir fácilmente nutrientes esenciales en un trago...para tí, para tus hijos, para todos los que amas. ¡No podría ser más fácil!
¡Obtienes jugo de apio fresco y nutritivo en un santiamén!

Únete a los miles de consumidores de jugo de apio entusiastas, como Kim Kardashian, Gwyneth Paltrow, Pharrell Williams y Naomi Campbell.

¡Con el Cold Press 365 No podría ser más fácil!
Sólo un ingrediente potente, ¡cortas los extremos, enjuagas y lo pasas por el extractor!

Si el sabor del jugo de apio te resulta demasiado fuerte, extrae el jugo de medio pepino o media manzana con el apio para regular el sabor. A medida que te acostumbras, sigue aumentando el porcentaje de apio hasta que tu jugo es sólo apio. El beneficio más grande se obtiene al beber jugo de apio solo.

BENEFICIOS DE BEBER JUGOS

Centrífugo vs. Por trituración

Los extractores de jugo por trituración (extractores de jugo lentos/de prensado en frío) utilizan engranajes suaves para moler lentamente los alimentos mientras que los extractores de jugo centrífugos usan cuchillas duras y rápidas para pulverizar la comida. El término Prensado en frío viene del hecho que, a diferencia de los extractores de jugo centrífugos, no se genera calor por lo que el jugo conserva todos los nutrientes beneficiosos y la resistencia enzimática. Además, los extractores de jugo de prensado en frío descomponen las fibras por completo para que obtengas más producción de jugo con los mismos ingredientes.

Lo principal es que con los extractores de jugo por trituración como el Cold Press 365 obtienes más jugo de mejor calidad a partir de tus productos por lo que obtienes los mayores beneficios de salud ¡y además ahorras dinero!



BENEFICIOS DE BEBER JUGOS



Desperdicio de alimentos – El Cold Press 365 obtiene más jugos de los alimentos que los extractores centrífugos, porque los engranajes exprimen los alimentos en lugar de cortarlos en trozos o licuarlos. Es por eso que puedes ahorrar dinero al comprar menos alimentos.



Resistencia enzimática – Se prevé que el calor de los extractores de jugo centrífugos reduce la resistencia de enzimas/nutrientes de los jugos. Con el Cold Press 365, no hay calor que destruya las enzimas y los antioxidantes que contienen los alimentos. Los alimentos conservan su integridad nutricional.



Oxidación – Los extractores de jugo por trituración como el Cold Press 365 utilizan una suave combinación de alta potencia + baja velocidad, exponiendo los alimentos a un menor contenido de oxígeno, lo que preserva la resistencia de enzimas y nutrientes y aporta un mayor valor nutricional general.



Ruido – El Cold Press 365 es significativamente más silencioso que otros extractores de jugo centrífugos.



Pasto de trigo, coles y verduras de hojas verdes – El Cold Press 365 exprime suavemente el jugo de alimentos tiernos como pasto de trigo, coles y verduras de hojas verdes, mientras que los extractores de jugo centrífugos los destrozan y extraen una cantidad de jugo muy baja. Los beneficios de la clorofila que se encuentra dentro de estas verduras de hojas verdes y hierbas contribuyen considerablemente a mejorar la salud. La clorofila es un limpiador, un estimulador de células antisépticas y un generador de glóbulos rojos.



Período de conservación más prolongado – Los jugos triturados permanecen frescos durante un período de tiempo más prolongado. La mayoría de los jugos de prensado en frío pueden ser almacenados en un refrigerador durante 72 horas.



BENEFICIOS DE BEBER JUGOS

Extraer jugos vs. Licuar

Cuando se trata de comparar la extracción de jugos con los licuados, los vemos como dos cosas muy diferentes. El Cold Press 365 hace jugo exprimido frío natural y rico en nutrientes que el cuerpo absorbe con facilidad y eficiencia. Es una digestión sencilla. ¡Además, hay tantos alimentos extremadamente saludables que deberías comer y que NUNCA incluirías en un batido! Como apio, col, cebolla y ajo, ¡entre otros!

Te recomendamos beber tu jugo extraído con el Cold Press 365 al comenzar la mañana, con el estómago vacío. Luego, no comas o bebas nada durante 15 o 30 minutos. ¡Así es como obtendrás la mayor cantidad de beneficios nutricionales! Todas las enzimas, todos los nutrientes se absorben rápidamente, sin obstáculos. Nos gusta pensar en el jugo que obtienes con el Cold Press 365 como la primera práctica de autocuidado diario, comenzar tu día con el pie más saludable, mientras que un batido es una comida o un bocadillo.

¡Haz los dos si quieres!



EXTRAER JUGO

SEPARA EL JUGO DE LA PULPA Y LA FIBRA

BENEFICIOS:

-Mejor absorción de vitaminas, minerales y fitonutrientes.

Los jugos son fáciles de digerir.

Sin la fibra, puedes incluir más frutas y vegetales.

LAS MEJORES FRUTAS Y VEGETALES PARA EXTRAER JUGO

- Manzanas
- Piñas
- Zanahorias
- Remolachas
- Pepino
- Apio



VS

LICUAR

NO QUITA NI SEPARA LA PULPA

BENEFICIOS:

-Lleno de fibra, apoya la salud digestiva y ayuda a la eliminación.

-Satisface el hambre y conserva la energía.

-Equilibra el azúcar en sangre.

LAS MEJORES FRUTAS Y VEGETALES PARA EXTRAER JUGO

- Bananas
- Mango
- Bayas
- Aguacate
- Espinaca
- Microvegetales





recetas para la inflamación

La inflamación, en el sentido más simple, es tu sistema inmune luchando contra algo nocivo. Puede ser una lesión, un virus, una bacteria, toxinas, incluso alimentos que tu cuerpo considera que son nocivos para ti.

La exposición a largo plazo a irritantes del sistema inmune como infecciones, productos químicos y alimentos inflamatorios pueden resultar en inflamación crónica. Estudio tras estudio demuestra que la inflamación crónica es una de las principales causas de la mayoría de las enfermedades. Desde alergias y asma hasta enfermedades cardíacas y cáncer y enfermedades autoinmunes, incluida la artritis reumatoidea y el lupus, la inflamación crónica está presente y juega un papel fundamental.

Se ha demostrado que ingerir frutas y vegetales ayuda significativamente a reducir la inflamación. Los jugos frescos hacen que sea muy fácil incrementar tu ingesta de frutas y vegetales que contienen los componentes más antiinflamatorios.

Hemos elaborado algunas combinaciones deliciosas que son fáciles de preparar, fáciles de beber y combatirán la inflamación.

Bombero

Prepara y extrae el jugo

4 zanahorias

1 cuña de piña.

1 cúrcuma en trozos.

Delicioso, refrescante y lleno de antioxidantes que ayudan a reducir la inflamación.



Elixir de manzana y bayas

Prepara y extrae el jugo

2 tazas de arándanos azules.

2 manzanas.

2 tazas de espinaca.

¡Los arándanos azules son uno de los principales alimentos antiinflamatorios! Combinálos con deliciosas manzanas y la vitamina K que detiene la inflamación y se encuentra en la espinaca y ¡tendrás una excelente manera de comenzar el día!



El sabroso Zinger

Prepara y extrae el jugo

1 gajo de limón.

1 rebanada de jengibre.

1 taza de uvas.

1 poco de col rizada

El jengibre es muy conocido por eliminar la inflamación. Combinado con la col rizada, rica en minerales y vitaminas, y la vitamina C del limón, este jugo es una fuente de prevención.



Jugo de apio 365

Prepara y extrae el jugo

1 cabeza de apio.

¡El jugo de apio es un antiinflamatorio natural! Con un alto contenido de fitonutrientes y antioxidantes, este jugo de un solo ingrediente no podría ser más fácil de hacer...¡y beber!





pérdida de peso

La idea no es perder peso para estar saludables, sino que cuando estamos saludables perdemos el peso que no es necesario. Cuando aumentamos la cantidad de alimentos saludables que ingerimos, desplazamos los alimentos no saludables...

y un subproducto de eso es perder las libras y pulgadas no deseadas. Comenzar tu día con un jugo fresco no sólo te aporta las vitaminas y los minerales necesarios para reducir la ansiedad, sienta las bases para tener un día saludable. Cuando comienzas con algo súper nutritivo, tiendes a tomar mejores decisiones en el transcurso del día.

¡Un brindis por las opciones saludables!



Verde y limpio

Prepara y extrae el jugo

2 limones.

4 manzanas verdes.

1 pepino.

Repleto de sabor, nutrientes y antioxidantes, esta combinación ácida e hidratante es una manera fantástica de empezar tu día con el pie derecho.



Intensifica la remolacha

Prepara y extrae el jugo

2 limones.

2 zanahorias.

2 manzanas.

2 remolachas.

Comienza tu día con este arco iris de fitonutrientes y con seguridad seguirás tomando decisiones de alimentación saludables a lo largo del día.



La sal de la vida

Prepara y extrae el jugo

- 1 limón.
- 1 pepino.
- 1 jengibre en trozos.
- 1 toque de cayena.

¡Despierta tu metabolismo con esta sabrosa fuente de energía! ¡Estos ingredientes simples están llenos de nutrición y el sabor que necesitas para sazonar tu mañana!



Jugo de apio 365

Prepara y extrae el jugo

- 1 cabeza de apio.

¡El jugo de apio es un antiinflamatorio natural! Con un alto contenido de fitonutrientes y antioxidantes, este jugo de un solo ingrediente no podría ser más fácil de hacer...¡y beber!





RECETAS

estado de ánimo

Estamos cansados, estamos irritables, nos cuesta concentrarnos...en general, todo esto nos lleva a estar de mal humor. Hidratarnos y alimentarnos correctamente puede tener un gran impacto en nuestro temperamento diario y nuestra capacidad para concentrarnos y prestar atención. Estas recetas te proporcionan lo que necesitas para despejar tu cabeza y seguir adelante con una sonrisa en tu rostro.

El zumbido del jugo

Prepara y extrae el jugo

2 limones.

4 manzanas verdes.

1 pepino.

Espinaca.

¡Sonreirás todo el tiempo al comenzar tu día con esta obra maestra ligera, refrescante y repleta de nutrientes!



Quita niebla

Prepara y extrae el jugo

1 remolacha.

1 limón.

2 tiras de piña.

1 pepino.

La niebla cerebral puede ser un verdadero fastidio. Despeja el cielo con esta dosis refrescante y rica en vitaminas de antioxidantes saludables.



Jugo de apio 365

Prepara y extrae el jugo

1 cabeza de apio.

Comienza tu día con jugo de apio refrescante e hidratante y, en lugar de los típicos altibajos del día, ¡verás cuán equilibrado te sientes!





RECETAS

energía

No duermes lo suficiente. El bajón de la tarde. Es hora de entrenar y no tienes energía. Existen tantos motivos para recurrir al café, las bebidas energizantes y cualquier cosa que llegue a nuestras manos para continuar en movimiento. Funcionan un rato, pero luego caes. Estos jugos te dan la energía que necesitas, de un modo que ofrece nutrición y energía uniforme sin caídas. Comienza tu día con jugo fresco o recurre a un jugo cuando necesites recargar, sentirás la diferencia en días.

Agua Zesta

Prepara y extrae el jugo

Trozos de sandía.
1 jengibre en trozos.

Lleno de sabor, fitonutrientes, vitaminas y enzimas...¡te encantará comenzar tu día con este hermoso y delicioso jugo!



Gloria matutina

Prepara y extrae el jugo

4 zanahorias.
1 jengibre en trozos.
2 limones.

Lleno de sabor, fitonutrientes, vitaminas y enzimas...¡te encantará comenzar tu día con este hermoso y delicioso jugo!



Jugo de apio 365

Prepara y extrae el jugo

1 cabeza de apio.

Olvídate del café, la mejor forma de empezar el día con energía nutritiva, vigorizante y limpia... jugo de apio. ¡Este jugo simple de un ingrediente tiene todo un movimiento detrás de él! ¡Todos concuerdan, tienen más energía durante el día!





RECETA

descanso

En un mundo lleno de estrés, todos tenemos dificultades para tener una buena noche de descanso. Ya sea que tengas dificultades para dormir o para permanecer dormido, los jugos repletos de nutrición de esta sección te ayudará a poder tener el descanso que necesitas. Beber jugos para dormir brinda a tu cuerpo las vitaminas y los minerales que necesita para descansar de verdad. Esta no es una solución rápida que te dejará somnoliento por la mañana, seguir un estilo de vida de beber jugos permite llegar a la raíz del problema y te ayuda a dormir toda la noche, cada noche.

Ojo cerrado

Prepara y extrae el jugo

4 hojas de lechuga romana.

1 puñado de perejil.

1/2 pepino.

2 zanahorias.

1 tallo de apio.

Agrega este jugo relajante a tu rutina nocturna, no menos de una hora antes de irte a dormir. Al cabo de algunos días, notarás la diferencia.



Calmante cítrico

Prepara y extrae el jugo

2 limones. 2 naranjas.

Se ha demostrado que la vitamina C reduce el cortisol, la hormona del estrés que generalmente está asociada a los problemas de sueño. Disfruta de este delicioso jugo no menos de una hora antes de irte a dormir y prepárate para dormir la noche entera.



Sueño de pepino

Prepara y extrae el jugo

1 pepino. 1 limón. Manzana verde.

Los pepinos contienen un montón de magnesio, mineral que se ha demostrado que mejora la calidad y la duración del sueño. Disfruta de este delicioso jugo no menos de una hora antes de irte a dormir y prepárate para dormir un poco.





RECETAS

constipacion

A pesar de ser uno de los problemas gastrointestinales reportados con mayor frecuencia, a nadie le gusta hablar de la constipación. Estar estreñido es una sensación horrible. La hinchazón, la incomodidad, la frustración...es bastante horrible. Las soluciones rápidas de venta libre no llegan a la raíz del problema del mismo modo que puede hacerlo una nutrición adecuada a diario. Simplemente agrega a tu día uno de estos jugos y estamos seguros de que verás “movimientos” en la dirección correcta.

El unicornio

Prepara y extrae el jugo

½ cabeza de col roja.

2 limones.

1 manzana.

Se ha demostrado que la col ablanda las heces, lo que puede ayudar a evitar el estreñimiento. Pero, ¿a quién le gusta comer col? Ahora puedes beberlo en esta deliciosa e increíblemente hermosa bebida. ¡No creerás lo delicioso que es este jugo!



Limpio y verde

Prepara y extrae el jugo

1 pera.

1 limón.

2 puñados de espinaca.

Las peras siempre han sido una fruta elegida cuando surge el tema de la constipación. Esta mezcla refrescante tiene todas las vitaminas, los minerales y las enzimas que necesitas para que tus jugos digestivos fluyan.





NOURISH YOUR BODY
Enrich Your Soul

NOURISSEZ VOTRE CORPS
Enrichissez Votre âme

NUTRA SU CUERPO
Enriquezca su alma

Discover the complete line of Omega brand professional products at:
Découvrez la gamme complète des produits professionnels de la marque Omega à:
Descubra la línea completa de productos profesionales de la marca Omega en:

www.OmegaJuicers.com

The Legacy Companies, Weston, FL 33331 U.S.A.

© 2021 Omega®