



NC800 - NC900

USER MANUAL

Nutrition System

LOW SPEED MASTICATING JUICER

MODE D'EMPLOI

Système alimentaire

EXTRACTEUR DE JUS BROYEUSE À BASSE VITESSE

MANUAL DEL USUARIO

Extractor Vertical de Jugos

EXTRACTOR DE JUGOS POR MASTICACIÓN A BAJA VELOCIDAD

www.OmegaJuicers.com



Congratulations!

CONGRATULATIONS on the purchase of your new Omega product.

At Omega, we strive to develop technologically advanced machines that help deliver nutrition and flavor of the highest kind and closest to nature's purest form. We are driven by you, our brand supporters. Your enthusiasm helps us continue to reinvent and renew our line of juicers, high speed blenders and beverage equipment. Our team at Omega thanks you for supporting us for over 50 years!

Join us on Twitter @OmegaAppliances &/or on Facebook @OmegaJuicers

PRODUCT REGISTRATION, VISIT:
www.omegajuicers.com/omega-warranty-registration

RECIPES, VISIT: www.omegajuicers.com/recipes

CUSTOMER SERVICE: Call **1-800-633-3401** or
visit: www.omegajuicers.com/contact-omega-juicers

After using your Omega, we kindly ask you to rate the machine on
www.OmegaJuicers.com

TABLE OF CONTENTS

02 - 03	Important Safeguards
04 - 05	Know Your Omega
06 - 07	Quick Start Assembly
08 - 09	Operating Instructions
10 - 11	Multi-Purpose Nutrition System
12 - 13	Sterilization & Easy Cleaning
14 - 17	Precautions for Safe Use
18 - 19	If the Auger Stops Working
20 - 25	How To Prepare
21	Fruits And Vegetables
22	Wheatgrass And Greens
22	Mincing And Chopping
23	Nut Butters
23	Nuts And Soy Milks
23	Deserts
24	Baby Foods
24	Coffee Grinds
25	Pasta and Breadsticks
26 - 27	Troubleshooting
28 - 29	Product Specifications
30 - 41	Recipes
42 - 83	French
84 - 125	Spanish



IMPORTANT SAFEGUARDS

IMPORTANT SAFEGUARDS

When using electrical appliances, basic safety precautions should always be followed including the following.

1. READ ALL INSTRUCTIONS BEFORE USING.
2. To protect against electrical shock, do not immerse cord, plug, or main body (motor) in water or other liquid.
3. This appliance is not intended for use by persons (including children) with reduced physical, sensory, or mental capabilities, or lack of experience and knowledge. Close supervision is necessary when any appliance is used near children. Children should be supervised to ensure that they do not play with the appliance.
4. Turn the appliance off, then unplug from outlet when not in use, before assembling or taking off parts and before cleaning. To unplug, grasp the plug and pull from the outlet. Never pull from the power cord.
5. Avoid contact with moving parts.
6. Do not operate any appliance with a damaged cord or plug or after the appliance malfunctions or has been damaged in any manner. Return appliance to the manufacturer (see warranty) for examination, repair, or electrical or mechanical adjustment.
7. The use of attachments not recommended or sold by manufacturer may cause fire, electric shock or injury.
8. Do not let cord hang over edge of table or counter or touch heated surfaces.
9. Always make sure juicer locking clip is locked when juicer is in operation.
10. To disconnect, press/switch OFF then remove plug from wall outlet. Make sure the motor stops completely before disassembling.
11. Do not put your fingers or other objects into the juicer while it is in operation. If food becomes lodged in opening, use food pusher or another piece of fruit or vegetable to push down the lodged food. When this method is not possible, turn off the machine, remove the plug from wall outlet and disassemble juicer to remove the remaining food.
12. Do not use outdoors.
13. Do not place on or near a hot gas or electric burner or in a heated oven.
14. Do not use appliance for anything other than its intended use.
15. Keep the appliance clean. Refer to the Care & Cleaning instructions in this manual.

SAVE THESE INSTRUCTIONS





KNOW YOUR OMEGA

KNOW YOUR OMEGA



A Pusher

B Hopper

C Chute

D Drum

E Handle

F Locking Clip

G On/Off Button (In Rear)

H Housing

I Auger (Inside Drum)

J Blank Cone (Inside Drum)

K Juicing Screen (Inside Drum)

L Blank End Cap

M Adjustable End Cap

N 3 Pasta Nozzles

O 1 Breadsticks Nozzle

P Cleaning Brush

Q Pulp Container

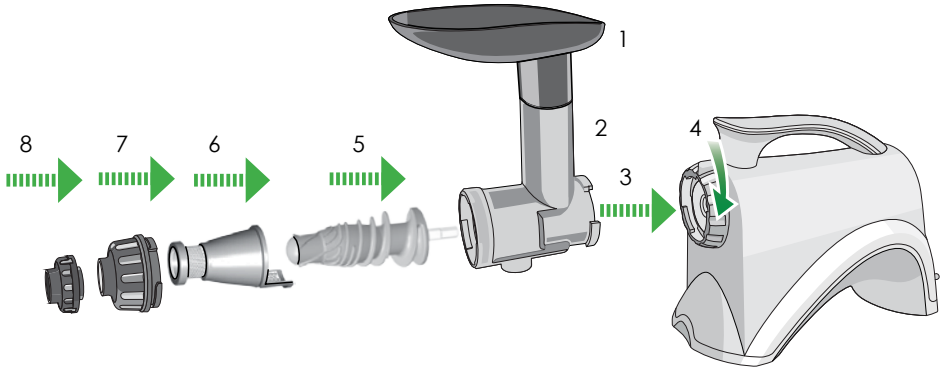
R Juice Container



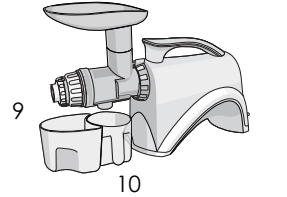
QUICK START ASSEMBLY

QUICK START ASSEMBLY

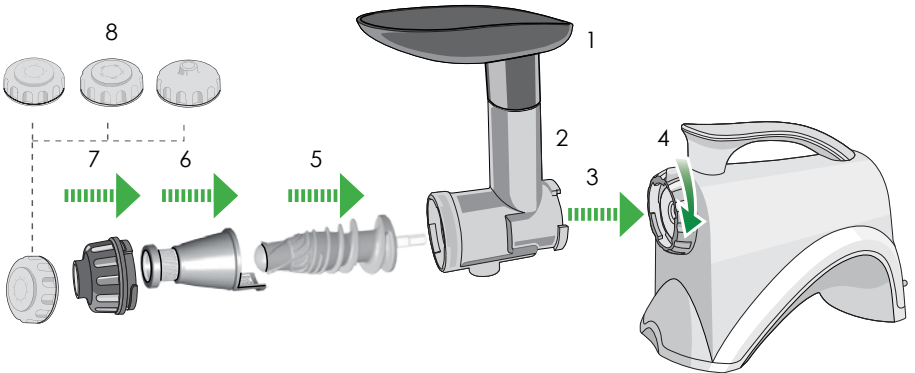
FOR JUICING



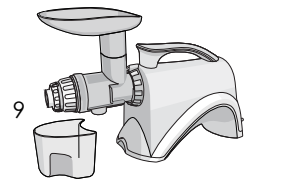
- 1 Hopper
- 2 Chute
- 3 Drum
- 4 Locking Clip
- 5 Auger
- 6 Juice Screen
- 7 Blank End Cap
- 8 Adjustable End Cap
- 9 Pulp Container
- 10 Juice Container



FOR FOOD PROCESSING



- 1 Hopper
- 2 Chute
- 3 Drum
- 4 Locking Clip
- 5 Auger
- 6 Blank Cone
- 7 Blank End Cap
- 8 Nozzle Options
- 9 Pulp Container

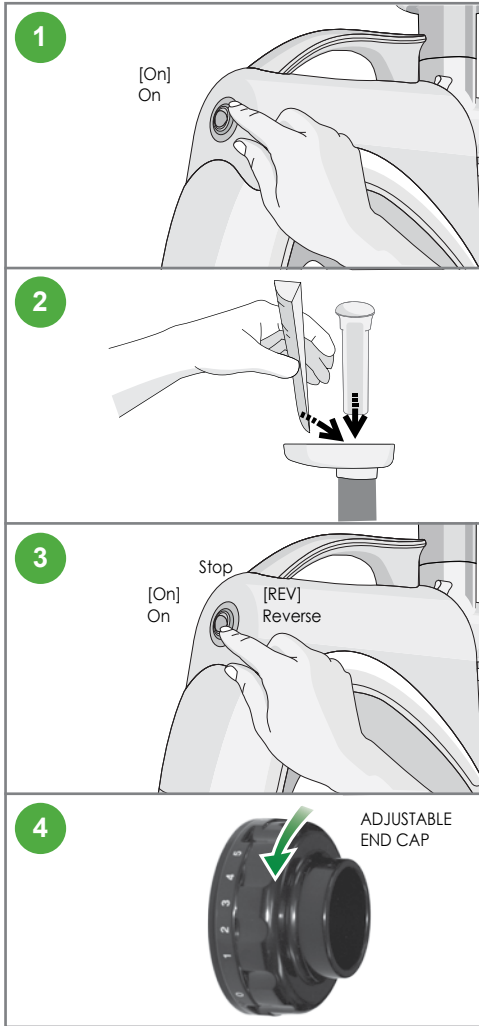




OPERATING INSTRUCTIONS

OPERATING INSTRUCTIONS

JUICING FUNCTION



Press [ON] button on the back of the Omega® Nutrition System to start.

Gradually put the ingredients into the hopper chute and press down with the pusher.

DO NOT place any metal objects into the hopper. If the drum set is clogged or the machine stops operating, press the reverse button 2 to 3 times and press the ON button again to resume normal operation.

After the extraction or processing is complete, place the switch in the stop position to stop.

⚠ WARNING When using [ON] or [Rev] button, make sure that the auger stops completely.

Turn the adjustable end cap counter-clockwise to tighten the squeeze, increasing the pressure. Turn the adjustable end cap clockwise to loosen the pressure. Use the setting loosest for citrus fruits. Use the tighter setting for wheatgrass. Using the appropriate setting will yield more juice.

FOOD PROCESSING FUNCTION



Use the blank end cap for all food processing functions from mincing and chopping to pastas and breadsticks (refer to pages 22-25).



MULTI-PURPOSE NUTRITION SYSTEM

MULTI-PURPOSE NUTRITION SYSTEM

This heavy-duty nutrition system features a patented, stone mill-like auger, made of hygienic BPA-free Ulfem. The low speed of 80 RPMs ensures full taste and the highest nutritional value.

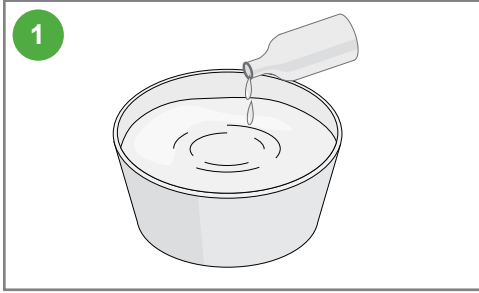
- **FRUIT JUICE.** Efficiently juices hard and soft fruits: even citrus fruits.
- **VEGETABLE JUICE.** Juices all kinds of vegetables including carrots, beets, celery, peppers, and radishes without destroying the natural flavor and nutritional benefits. Fresh taste and full nutrition are guaranteed with this unique extraction process.
- **WHEATGRASS AND LEAFY GREENS.** Kale, cabbage, spinach and pine tree needles are just some of the natural products that can be juiced. Enjoy the best that nature offers in raw foods and juice them for full nutritional benefits.
- **FOOD PROCESSOR.** Chops and minces, providing natural flavor and nutrition from garlic, scallions, red pepper, ginger, and most other foods, including herbs and seasonings. Soft foods for special diets for babies are quick and easy to prepare with the homogenizer set-up.
- **NUT BUTTERS.** Make almond butter, peanut butter, sunflower seed butter and more while using all-natural ingredients.
- **NUTS & SOY MILKS.** Use almonds, pecans, cashews, hazelnuts, or any other of your favorites to create nutritious milks. You can also make coconut milks.
- **DESSERT MAKER.** Make all-natural, dairy free, gluten free, low fat, low sugar, low calorie desserts that taste like your favorite ice creams or frozen treats.
- **BABY FOODS.** Make homemade baby food knowing that you are giving your baby fresh produce that is nutritious and easily digestible.
- **GRINDER.** Easily grind coffee beans and flour.
- **PASTA EXTRUDER.** Make homemade spaghetti, linguini, or breadsticks can be extruded in just minutes with the included pasta nozzles.



**STERILIZATION
&
EASY CLEANING**

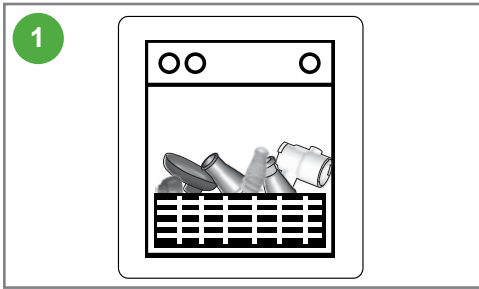
STERILIZATION & CLEANING

STERILIZATION



You can thoroughly wash parts by immersing in warm water diluted with one or two drops of baking soda or dishwashing soap for about 30 minutes.

EASY CLEANING SYSTEM



When finished using the Omega® Nutrition System, simply put parts into dishwasher, on top rack.



PRECAUTIONS FOR SAFE USE

PRECAUTIONS FOR SAFE USE

All users of this appliance must read and understand these safety precautions before operating.

SIGN SAMPLES



This sign indicates contents that may cause risk of a fire or an electrical shock.
Specific warnings are written in the sign.



This sign indicates prohibited acts.
Specific prohibitions are written around or in the sign.



This sign indicates contents of regulating or directing actions.
Specific prohibitions are written around or in the sign.

PRECAUTIONS



CAUTION Hazards or unsafe practices could result in minor personal injury or appliance damage.



DO NOT PLUG IN OR UNPLUG WITH WET HANDS.
It may cause an electric shock or an injury.



DO NOT USE WITH OTHER THAN RATED VOLTAGE.
It may cause an electric shock, a fire or abnormal performance.
If the voltage is different, it may shorten the life of the motor or cause a failure.



PLUG THE POWER CORD CORRECTLY AND PUSH IT TIGHT IN A WALL SOCKET.
It may cause electric shock or a fire.



IF THE SUPPLY CORD IS DAMAGED, IT MUST BE REPLACED BY THE MANUFACTURER, ITS SERVICE OR SIMILARLY QUALIFIED PERSONS IN ORDER TO AVOID A HAZARD.
If the power cord is damaged, it may cause electric shock or a fire.



NEVER ALTER THE APPLIANCE. ALSO, DO NOT DISASSEMBLE OR REPAIR BY YOURSELF. DO NOT INSERT FINGERS, FOREIGN SUBSTANCES OR OBJECTS SUCH AS PINS INTO GAPS OR HOLES IN THE BASE. It may cause a fire, an electric shock or a failure. For any technical support, contact the authorized local Customer Care Center.

PRECAUTIONS FOR SAFE USE



DO NOT MOISTEN THE BASE OR SPLASH WATER ON THE BASE.

Be careful not to let any liquids or other substances get into the switch on the appliance. **DO NOT OPERATE THE SWITCH WITH WET HANDS.** It may cause electric shock or a fire.



WHEN THE POWER CORD, WIRE IS BROKEN OR DAMAGED OR THE PLUG-IN PART BECOMES LOOSE, DO NOT OPERATE IT.

It may cause an electric shock, a fire or an injury.



FOR SAFETY, MUST DO GROUND CONNECTION DO NOT DO THE GROUNDING ON GAS PIPE, PLASTIC WATER PIPE, TELEPHONE WIRE, ETC.

It could cause an electric shock, a fire, or a malfunction and an explosion. Be sure to use the socket with ground connection.



NEVER DISASSEMBLE BOWL SET DURING OPERATION OR INSERT FINGERS, FOREIGN OBJECTS SUCH AS FORKS, SPOONS ETC. INTO FEEDING TUBE OR JUICE OUTLET.

It may cause an injury, an accident or a failure.



THIS APPLIANCE IS NOT INTENDED FOR USE BY PERSONS (INCLUDING CHILDREN) WITH REDUCED PHYSICAL, SENSORY OR MENTAL CAPABILITIES, OR LACK OF EXPERIENCE AND KNOWLEDGE, UNLESS THEY HAVE BEEN GIVEN SUPERVISION OR INSTRUCTION CONCERNING USE OF THE APPLIANCE BY A PERSON RESPONSIBLE FOR THEIR SAFETY.

Children should be supervised to ensure that they do not play with the appliance.



DO NOT OPERATE WITHOUT LOCKING THE HOPPER PROPERLY.

It may cause an injury or a failure.



WHEN DETECTING A GAS LEAK, DO NOT INSERT THE POWER CORD INTO ITS SLOT. OPEN THE WINDOW TO VENTILATE FULLY AND IMMEDIATELY.

It may cause an injury or a failure.



IF SCREW ROTATION IS STOPPED IN NORMAL OPERATION, PRESS [REVERSE/REV] BUTTON AND HOLD FOR 2-3 SECONDS AND THEN AFTER REVERSE OPERATION IS COMPLETELY STOPPED, PRESS [ON] BUTTON AGAIN. If such a stop event continues during the operation, the parts may be damaged and performance may be deteriorated due to overheating in a motor. When the problem continues, immediately stop the appliance and contact the local Customer Care Center.



NEVER PUT A FINGER, A FORK OR A SPOON ETC. INTO JUICE OUTLET.

It may cause an injury or a failure.

PRECAUTIONS FOR SAFE USE



DURING THE OPERATION, DO NOT ATTEMPT TO MOVE THE BASE, DISASSEMBLE THE BOWL SET OR PARTS AND TRY TO LOCK THEM.

It may cause an injury or a failure. Any act of event needed, switch off first and unplug the power cord.



WHEN USING THE APPLIANCE, BE CAREFUL FOR A NECKTIE, LONG NECKLACE, SCARF ETC. NOT TO BE ENTANGLED INTO FEEDING TUBE.

It may cause an injury, a failure or a breakage.



PLACE THE APPLIANCE ON A FLAT AND STABLE SURFACE.

It may cause an injury or a failure.



DO NOT OPERATE THE APPLIANCE FOR MORE THAN 30 MINUTES AT A TIME.

It may cause a motor failure due to overheating. Cool it down sufficiently for 5 minutes and operate it again.



WHEN PLACING INGREDIENTS INTO THE FEEDING TUBE, ONLY USE THE PUSHER PROVIDED.

It may cause an injury or a failure.



DO NOT ALLOW A SEVERE SHOCK TO THE APPLIANCE OR DROP IT.

It may cause an electric shock, a fire or damage



IF THE APPLIANCE GIVES OFF AN UNPLEASANT SMELL OR EXCESSIVE HEATING, SMOKE, STOP USING IMMEDIATELY AND CONTACT THE LOCAL CUSTOMER CARE CENTER.

When using a new appliance, it gives off a smell and the smell disappears naturally over time.



ALWAYS UNPLUG THE APPLIANCE AFTER USE.

WHEN UNPLUGGING THE POWER CORD, MAKE SURE TO HOLD THE POWER CORD.

If holding the wire to unplug, it may cause an electric shock or a fire.



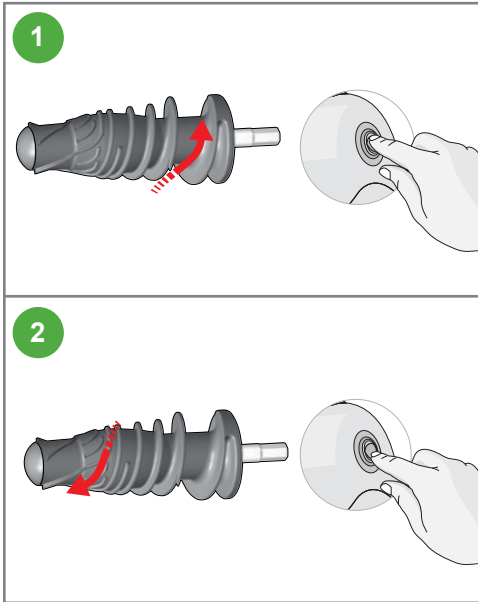
THE APPLIANCE WEIGHS ABOUT 13 LB (5.9 KG). WHEN MOVING THE APPLIANCE, ENSURE TO MOVE IT HOLDING GRIPS TIGHTLY AT THE BASE BOTTOM WITH BOTH HANDS.

If attempting to hold bowl or the edge of the base, the base may fall causing an injury or a failure.



**IF THE AUGER
STOPS WORKING**

IF THE AUGER STOPS WORKING



Press [Rev] button for 3 to 5 seconds, then release. When the [Rev] button is released, the auger will stop rotating. Repeat this 2 to 3 times. The [Rev] button pushes the ingredients upward releasing the food clog.

Press [ON] button to start. When using [ON] auger should rotate. Wait 2 to 3 seconds. Then press [REV] button. Repeat this 2 to 3 times. Make sure the auger stops completely after releasing the button.

Note:

Even after following the directions above, if the juicer still doesn't work, please unplug the power cord, disassemble the chamber set and clean it. Then try again.



HOW TO PREPARE

FRUITS AND VEGETABLES

WHEATGRASS AND GREENS

MINCING AND CHOPPING

NUT BUTTERS

NUTS AND SOY MILKS

DESERTS

BABY FOODS

COFFEE GRINDS

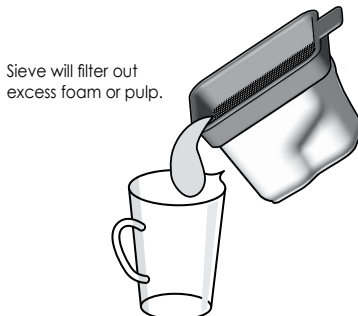
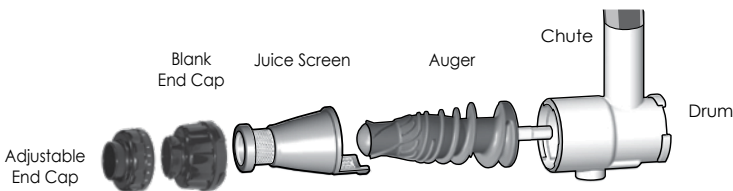
PASTA AND BREADSTICKS

HOW TO PREPARE

FRUITS AND VEGETABLES

Juicing Screen | Adjustable End Cap | No Nozzle Needed

- Sieve: You may want to use this if you have juiced items that create more foam or more pulp than you prefer. Place the sieve on the juice container or bowl after juicing process is complete and before pouring juice into a glass.
- Thoroughly wash fresh ingredients to remove accumulated chemicals. The Omega[®] Nutrition System can extract juice from un-peeled fruits and vegetables but your taste may prefer peeled produce.
- Soft produce will process easier if refrigerated.
- Cut fruits and vegetables into small pieces to fit in the drum.
- Turn [ON] machine and let it run without interruption until all juice has been extracted.
- Alternate soft and firm items. It is best to start with the softer item.
- If the pulp starts to clog the drum, turn [OFF] machine and empty the drum set. Reassemble and resume normal operation.
- After placing the last piece of fruit or vegetable into the hopper, keep the machine running for a few seconds to ensure juice is extracted.
- After every use, clean all parts that come into contact with food or juice.
- You may juice items that are not usually used in meals, for example, carrot or beet stems.

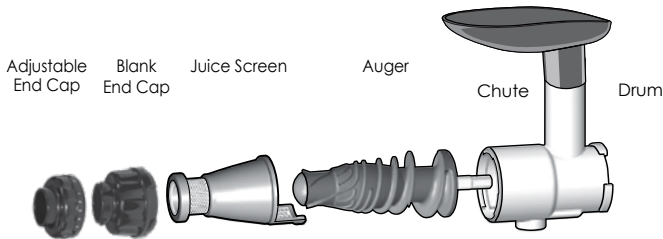


HOW TO PREPARE

WHEATGRASS AND GREENS

Juicing Screen | Adjustable End Cap | No Nozzle Needed

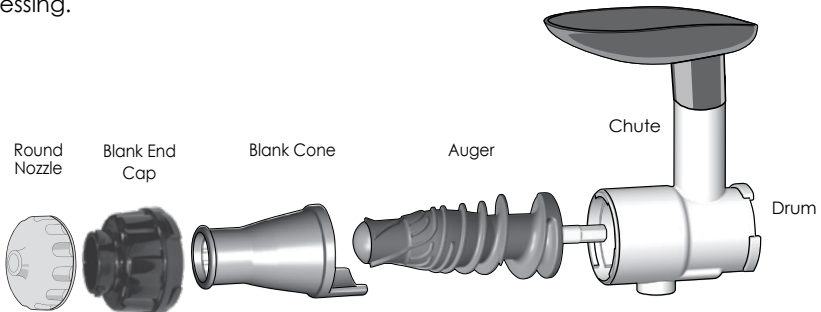
- Sieve: You may want to use this if you have juiced items that create more foam or more pulp than you prefer. Place the sieve on the juice bowl after juicing process is complete and before pouring juice into a glass. You can also place the sieve on the pulp container and pour the small amount of juice into a glass.
- Thoroughly wash fresh ingredients to remove accumulated chemicals.
- Do not overfill the feed chute. Feed the juicer with small quantities. Allow most of the juice to exit before pushing in the next item.
- Some juice may exit into the pulp bowl and not the juice bowl. This is normal. This may continue to occur until the ejection area is filled with pulp.
- When juicing an item for added taste, insert that item during the first half of the juicing process. If inserted at the end of the process, the full taste may not come through.
- Certain green drinks may be too strong for some people. Lemon, apple, ginger, carrots &/or beets may be added as a natural sweetener to dilute the taste of wheatgrass and leafy greens.



MINCING AND CHOPPING

Blank Cone | Blank End Cap | Round/Oval Nozzle

- Use as a food processor to make marinades, salsas, soups and sauces.
- Chop or grind meat, fish, herbs, soaked rice and beans. Remove any fat from the meat or poultry if not desired in the finished product. Bone and scale fish before processing.



HOW TO PREPARE

NUT BUTTERS

Blank Cone | **Blank End Cap** | **Nozzle is Optional**

- Nut butters are an all-natural version of peanut butter, almond butter, sunflower seed butter, etc.
- Remove all skins and shells from nuts. Turn [ON] machine. Start adding nuts 1 cup at a time.
- Add 1 to 2 tablespoons of oil slowly between nuts.
- Process nuts through nutrition system at least two to three times until texture is of a smoother consistency.

NUT & SOY MILKS

Blank Cone | **Blank End Cap** | **Nozzle is Optional**

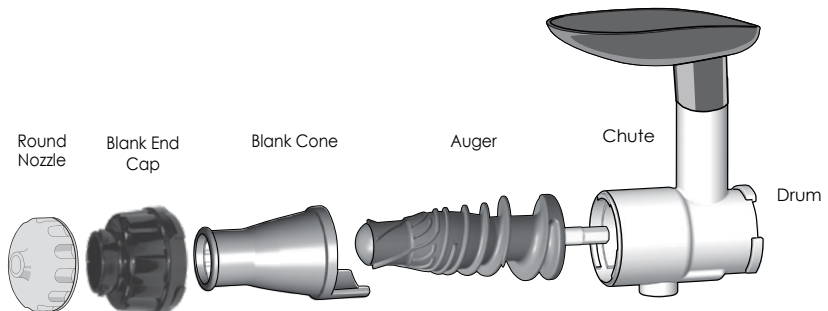
- Nut milks consist of almonds, pecans, cashews, hazelnuts, etc. You can also make coconut milk and soy milk.
- Soak nuts for 4-8 hours in water.
- Turn [ON] machine. Spoon the soaked nuts (and some of the soaking water) down the chute. Pour the pulp down the chute again with more soaking water, for a second grinding, more flavor and a creamier texture. You can either stop after the second process or repeat for a third time.

DESSERTS

Blank Cone | **Blank End Cap** | **Nozzle is Optional**

- Make all-natural sweet, frozen treats without the added fat, sugar and calories.
- Thaw frozen fruit for 5-10 minutes. Turn [ON] machine. Process thawed fruit through nutrition system and serve.
- Popular frozen fruit sorbets include banana, cherry, blackberry, blueberry, raspberry, strawberry, melon, kiwi, mango, pear, pineapple, peach, grape, orange, and more!
- You can also make frozen lemonades and ice creams with all-natural ingredients. Recipes can be found on www.OmegaJuicers.com.

The above recipes are made using the items below.



HOW TO PREPARE

BABY FOOD

Blank Cone | **Blank End Cap** | **No Nozzle Needed**

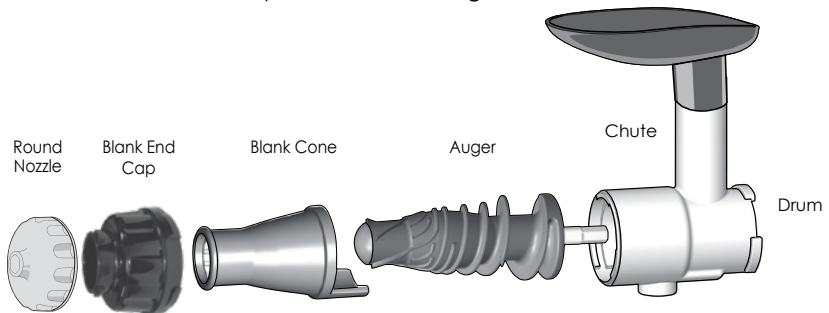
- Making homemade baby food with your Omega Juicer can be very rewarding knowing that you are giving your baby fresh produce that is nutritious and easily digestible. This also gives your baby regular chances to experience a wide variety of textures and tastes without artificial preservatives or additives.
- Start by cooking the vegetable or fruit. Either steam, bake, or boil. Steaming maintains the most nutrients.
- For Fruits: apples, pears, peaches, plums, mangoes and strawberries, all puree well.
- For Vegetables: potatoes, carrots, yams, broccoli and squash, all puree well.
- Turn [ON] machine. Spoon the cooked vegetable/fruit down the chute. If steamed or boiled vegetable or fruit add some of the cooked liquid. Adding the liquid helps preserve any nutrients that may have released into the water during cooking.

COFFEE GRINDER

Blank Cone | **Blank End Cap** | **No Nozzle Needed**

- Turn [ON] machine. Place coffee beans into the chute at a slow steady pace. The beans will come out finely ground. Do not add too many beans at a time. There should be no need to grind the beans twice.
- If the coffee bean has a high oil content, you may want to dry the bean out overnight in order to process it easier.

The above recipes are made using the items below.



HOW TO PREPARE

PASTA OR BREADSTICKS

Blank Cone | Blank End Cap | Round, Flat or Breadsticks Nozzle

- This machine can to extrude pasta; not make pasta. Make dough by hand or use a mixer.
- Sprinkle a small amount of flour on the pasta, on the nutrition system hopper and inside the drum to prevent sticking.
- Add water to the dough if it becomes too dry.
- To extrude pasta:
Decide which style of noodle you prefer and place the appropriate nozzle on the drum.

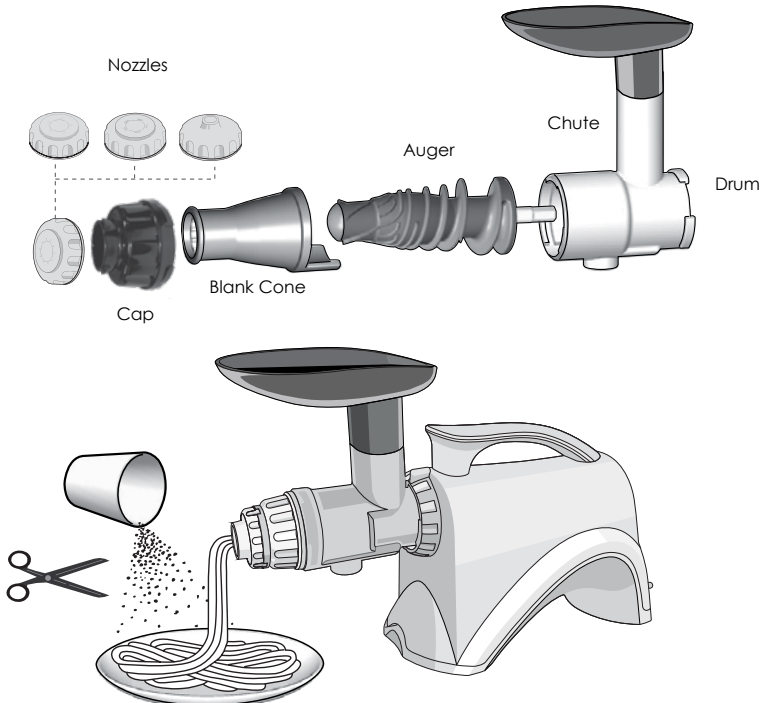
Shape the pasta dough into balls or tubes that are slightly smaller than the nutrition system hopper opening.

Turn [ON] machine. Process dough through nutrition system. A consistent feeding of dough without any gaps will give you longer noodles as pasta exits. Pasta may be cut with a scissor or a knife to desired length.

Freshly made pasta should be put in boiling water. Fresh pasta will cook faster than packaged pasta.

If you want to make the pasta more flavorful, add spinach, basil or sundried tomatoes. Leftover vegetable juice or pulp may also be mixed into dough for added flavor.

Your choice of nozzle will determine the size and shape of the pasta.





TROUBLESHOOTING

TROUBLESHOOTING

Please troubleshoot using the details below before contacting Omega Customer Service for repair or service. When contacting Omega for after-sales service, please have the manufacturer's serial number or bar code available.

The Appliance Does Not Work

- Make sure the power cord is plugged in correctly.
- Make sure the drum is assembled correctly. If the drum is not locked into place, the appliance will not operate.
- Make sure the appliance is assembled according to the instructions in this manual. Refer to the instructions.
- If the appliance still does not work, please contact Omega Customer Service for additional support.

The drum Does Not Open

- If there is a lot of pulp inside the drum, press [On] to release the excess pulp.
- Check the appliance for any foreign substance or solid objects including seeds.
- Press [Rev] button to push up stuck ingredients.
- Do not attempt to open by force. If the drum still does not open, please contact Omega Customer Service for additional support.

The Appliance Stops During Normal Operation

- Check for large pieces of food stuck in the appliance.
- Refer to the section "If the Auger Stops Working" and follow the guideline for the [Rev] button.
- If the appliance still does not work, please contact Omega Customer Service for additional support.

Fine Lines or Scratch Marks around the Auger

- This is normal. Do not be concerned. These are molding marks resulting from the normal manufacturing process.

Juice Leaks Over the Base

- Check for an excessive amount of ingredients in the hopper and/or chute.
- If you try to juice a large amount of food compared to the pulp chute, the packing will be slightly pushed away. Juice may leak out of the gap.
- Do not force too much food into the juicer. Push food gradually for extraction.
- Check to make sure the juice flap is closed.

Juicer Shakes when In-Use

- This is normal as the auger rotates. It is not a malfunction. Hard ingredients such as carrots, potato, radish, beets, etc. may cause shaking more so than soft ingredients.
- Depending on the firmness of the ingredient, there may be a more pronounced shaking of the motor.
- Slight shaking may be caused by the motor.

CONTACT US:

Customer Service: 1-800-633-3401

Online: www.OmegaJuicers.com/contact-omega-juicers



PRODUCT SPECIFICATIONS

PRODUCT SPECIFICATIONS

Product Name	Omega Nutrition System
Model Name	NC800HDS/NC900HDC/NC900HDR
Rated Voltage	120 V
Rated Frequency	60 Hz
Rated Power Consumption	150 W
RPM	80 RPM
Cord Length	64 inches (1625.6 mm)
Shipping Weight	20 lb (9 kg)
Outward Dimension	6.5" Width (165 mm) 14.5" Depth (368 mm) 15.5" Height (394 mm)
Rated Operating Time	Less than 30 minutes
Also Available NC802HDR, NC802HDS and NC902HDC	220-240 V / 50-60 Hz





RECIPES

Almond Milk

What You'll Need:

2 cups of unsalted almonds
6 cups of distilled water

PREP 12 hours PROCESS 4 minutes

How To Prepare:

- 1 Soak almonds overnight in 3 cups of water. Drain.
- 2 Place almonds in 3 cups of fresh water.
- 3 Using the juicing screen in the Omega® Nutrition System, ladle almonds and water into juicer.

If you prefer the milk thinner add more water.
- 4 You can sweeten milk by adding 1 tsp of honey, agave nectar, cane sugar or maple syrup. You can make vanilla almond milk by adding 1 tsp of vanilla extract or make chocolate almond milk by adding 1 tbsp of unsweetened cocoa powder.

Soy Milk

What You'll Need:

1 cup dried organic soy beans
6 cups of water
dash of salt
½ tsp vanilla extract
1 tsp agave or other sweetener
1 tsp cinnamon

PREP 12 hours PROCESS 35 minutes

How To Prepare:

- 1 Soak soy beans overnight in 3 cups of water. Drain.
- 2 Place soy beans in 3 cups of fresh water. Using the juicing screen in the Omega® Nutrition System. Ladle soy beans and water into juicer. If you prefer the milk thinner add more water.
- 3 Transfer the milk to a pot on the stove. Bring the milk to a boil. Then reduce to low and let simmer for 25 minutes. Skim off and discard any foam or filmy layers that occur.
- 4 Remove from heat and flavor with salt, vanilla extract, agave and cinnamon. Mix and Enjoy.

Peanut Butter

What You'll Need:

- 2 cups shelled and skinned roasted peanuts
- 1 tbsp grapeseed oil
- 2 tsp coconut nectar
- 1 tsp real salt

PREP 5 minutes PROCESS 10 minutes

How To Prepare:

- 1 With an Omega® Nutrition System, change the juicing cone for the blank cone and assemble your preferred nozzle.
- 2 Start pouring nuts into the chute. Run them through about 2-3 times until oils start to appear.
- 3 Transfer to a bowl and combine all ingredients by hand, with a spoon.
- 4 Pour the mixture into the Omega® Nutrition System one more time.

Cookie Dough Nut Butter

What You'll Need:

- 2 cups dry cashews
- 6 tablespoons coconut nectar
- 1 tbsp coconut oil
- 2 tsp vanilla powder
- ½ tsp real salt

PREP 5 minutes PROCESS 8 minutes

How To Prepare:

- 1 With an Omega® Nutrition System, change the juicing cone for the blank cone and assemble your preferred nozzle.
- 2 Start pouring nuts into the chute. Run them through about 2-3 times until oils start to appear.
- 3 Transfer to a bowl and combine all ingredients by hand, with a spoon. Pour the mixture into the Nutrition System one more time.

Homemade Pasta

What You'll Need:

1 cup flour
1 egg, beaten
2 tbsp water
½ tsp salt

PREP 5 minutes JUICE 5 minutes

How To Prepare:

- 1 In a large bowl, combine flour and salt.
- 2 Make a well in the middle of the flour/salt mixture, then add egg. If dough is too stiff, then add water.
- 3 With an Omega® Nutrition System, change the juicing cone for the blank cone, choose preferred pasta nozzle.
- 4 Put dough through chute and cut noodles to preferred length.

Eggless Pasta

What You'll Need:

2 cups semolina flour
½ tsp salt
½ cup warm water

PREP 5 minutes JUICE 5 minutes

How To Prepare:

- 1 In a large bowl combine flour and salt, then add water (add more if too dry).
- 2 With an Omega® Nutrition System, change the juicing cone for the blank cone, choose preferred pasta nozzle.
- 3 Put dough through chute and cut noodles to preferred length.

Breadsticks

What You'll Need:

2 ¼ pkg active dry yeast
 1 ½ cup warm water
 ½ cup warm milk
 2 tbsp sugar
 3 tbsp butter, divided and melted
 ½ tsp kosher salt
 ½ tsp minced garlic
 ¾ tsp dried italian seasoning
 4 ½ - 5 ½ cups flour
 ¼ cup parmesan cheese, grated

PREP 15 minutes
PROCESS 5 minutes

How To Prepare:

- 1 In a large bowl, combine yeast with water and let stand until it bubbles (7-10 minutes).
- 2 Add milk, sugar, butter, kosher salt, and 2 cups of flour. Beat until smooth. Add parmesan cheese and remaining flour until it forms into a soft dough.
- 3 With an Omega® Nutrition System, change the juicing cone for the blank cone, choose preferred bread stick nozzle. Put dough through chute, running the dough about 7-8 times.
- 4 Divide dough into equal portions.

Salsa in a Glass

What You'll Need:

2 tomatoes
 ¼ onion
 ½ lime
 1 jalapeno pepper
 5 sprigs of fresh cilantro

PREP 5 minutes
JUICE 5 minutes

How To Prepare:

- 1 Wash all produce well.
- 2 Peel lime (optional).
- 3 Add all ingredients into your Omega® Nutrition System and juice.
- 4 Serve and enjoy.

Baby Food - Applesauce

What You'll Need:

3 medium red apples

PREP 15 minutes PROCESS 6 minutes

How To Prepare:

- 1 Steam 3 medium red, skinned and seeded apples.
- 2 With an Omega® Nutrition System, change the juicing cone for the blank cone, choose preferred nozzle.
- 3 Process through the Omega® Nutrition System.
- 4 Add a sprinkle of cinnamon.

Yields 1 cup.

Baby Food - Sweet Potato

What You'll Need:

2 sweet potatoes

PREP 30 minutes PROCESS 5 minutes

How To Prepare:

- 1 Steam potatoes 20 to 25 minutes.
- 2 Process through the Omega® Nutrition System.
- 3 1 large potato yields about 1 cup.

Baby Food - Carrots

What You'll Need:

3 large carrots

PREP 30 minutes

PROCESS 5 minutes

How To Prepare:

- 1 Steam carrots.
- 2 With an Omega® Nutrition System, change the juicing cone for the blank cone, choose preferred nozzle.
- 3 Process through the Omega® Nutrition System.

Three large carrots yields about 1 cup.

Baby Food - Peas

What You'll Need:

peas

PREP 3 minutes

PROCESS 6 minutes

How To Prepare:

- 1 Depod peas when preparing. No need to steam, unless you prefer.
- 2 With an Omega® Nutrition System, change the juicing cone for the blank cone, choose preferred nozzle.
- 3 Then process through the Omega® Nutrition System. Better for children 1 to 2 years old (younger children have trouble digesting them).

Clean Boost

What You'll Need:

- ½ a beetroot
- 5 spinach leaves
- ¼ cabbage
- 1 broccoli stick
- ½ a grapefruit
- ½ a lemon
- 1 orange
- 1 kiwi fruit
- 2 small pieces of ginger

PREP 2 minutes JUICE 4 minutes

How To Prepare:

- 1 Cut product to fit into hopper.
- 2 Juice in an Omega® Nutrition System.
- 3 Pour over ice.
- 4 Enjoy!

Australian Dream

What You'll Need:

- 2 beets (australian beetroot)
- 2 organic carrots
- 1 cup organic strawberries
- 2 cups kale leaves (6-8 leaves)
(australia tuscan cabbage)

PREP 3 minutes JUICE 6 minutes

How To Prepare:

- 1 Wash all produce well.
- 2 Cut as needed to fit into juicer.
- 3 Juice in an Omega® Nutrition System.
- 4 Pour over ice and enjoy.

Morning Glory Citrus

What You'll Need:

2 grapefruits (peeled)
1 red bell pepper
2 pears
6 carrots

PREP 5 minutes JUICE 5 minutes

How To Prepare:

- 1 Wash all produce well.
- 2 Juice all produce in an Omega® Nutrition System and enjoy!

Serving Size: 16 - 18 oz.

Bursting with Vitamin C and beta-carotene, as well as Vitamins A & K and even copper.

Apple & Kiwi Juice

What You'll Need:

2 apples
3 kiwis

PREP 5 minutes JUICE 5 minutes

How To Prepare:

- 1 Wash the apples, then remove the core and cut into quarters.
- 2 Peel the kiwis and chop into small pieces.
- 3 Juice ingredients in your Omega® Nutrition System.
- 4 Stir before drinking.

Total Health Booster

What You'll Need:

1 medium apple, cored and cubed
2 medium soft pears, cored and cubed
½ cup fresh cherries
(pits removed or frozen and thawed)

PREP 5 minutes JUICE 5 minutes

How To Prepare:

- 1 In your Omega® Nutrition System, juice apple, pears, and cherries.
- 2 Before serving, garnish with fresh cherries, if desired.

Cukelear Power

What You'll Need:

1 cucumber
2 collard green leaves
1 handful of cauliflower florets
½ lemon (yellow rind removed)

PREP 5 minutes JUICE 5 minutes

How To Prepare:

- 1 Wash all produce.
- 2 Add all ingredients into your Omega® Nutrition System and juice.
- 3 Pour into your glass and enjoy!

Tropical Morning

What You'll Need:

1 peach (remove pit)
1 mango (peeled and
seed removed)
1 orange (skin removed)
½ cup coconut water
1 teaspoon agave nectar

How To Prepare:

- 1 In your Omega® Nutrition System, juice peach, mango and orange
- 2 Add remaining ingredients and stir.
- 3 Serve chilled and garnish with a peach slice.

PREP 5 minutes JUICE 5 minutes

Island Dreaming Sorbet

What You'll Need:

½ cup frozen pineapple chunks
½ cup frozen banana
1 cup frozen strawberries
½ cup frozen mango chunks
2 tbsp coconut flakes

How To Prepare:

- 1 Mix all ingredients in a bowl. Thaw slightly before running through Omega® Nutrition System.
- 2 Change the juicing cone for the blank cone and assemble your preferred nozzle.
- 3 Start pouring and pushing the ingredients into the chute. Serve.

PREP 5 minutes PROCESS 5 minutes

Frozen Lemonade Sorbet

What You'll Need:

6 tbsp lemon juice
3 tbsp raw honey
1 cup water

PREP 6 hours

PROCESS 5 minutes

How To Prepare:

- 1 Heat lemon juice and honey for 10-20 seconds in microwave. Stir. Add in the water and stir.
- 2 Freeze the mixture in ice cube trays or ice pop mold.
- 3 With an Omega® Nutrition System, change the juicing cone for the blank cone and assemble your preferred nozzle.
- 4 Thaw lemon cubes slightly before pushing thru the chute of Omega® Nutrition System. Serve.

Orange Dreamsicle Sorbet

What You'll Need:

4 frozen oranges/
mandarins peeled
1 cup vanilla yogurt

PREP 5 minutes

PROCESS 5 minutes

How To Prepare:

- 1 Freeze yogurt and peeled orange segments.
- 2 Thaw slightly before running through Omega® Nutrition System.
- 3 Change the juicing cone for the blank cone and assemble your preferred nozzle.
- 4 Start pouring and pushing the ingredients into the chute, alternating the yogurt and the orange segments. Serve.



Félicitations!

Félicitations! Vous êtes désormais propriétaire d'un nouvel appareil Omega.

Chez Omega, nous nous efforçons de concevoir des appareils à la fine pointe de la technologie qui offrent des aliments et des saveurs de haut calibre et aussi naturels que possible. Vous êtes notre source de motivation. Votre enthousiasme nous pousse à continuer de réinventer et de moderniser notre gamme d'extracteurs à jus, de mélangeurs à grande vitesse et d'appareils à boissons. L'équipe d'Omega vous remercie de votre soutien qui perdure depuis plus de 50 ans!

Suivez-nous sur Twitter @OmegaAppliances et sur Facebook @OmegaJuicers

POUR ENREGISTRER VOTRE APPAREIL, RENDEZ-VOUS AU :
www.omegajuicers.com/omega-warranty-registration

POUR DES RECETTES, RENDEZ-VOUS AU : **www.omegajuicers.com/recipes**

SERVICE À LA CLIENTÈLE : Appelez au +1 800 633-3401 ou
visitez le : **www.omegajuicers.com/contact-omega-juicers**

Après avoir utilisé votre appareil Omega, nous vous prions de bien vouloir l'évaluer au :
www.OmegaJuicers.com

TABLE OF CONTENTS

44 - 45	Consignes de sécurité importante
46 - 47	Composition de votre Omega
48 - 49	Assemblage rapide
50 - 51	Mode d'emploi
52 - 53	Système alimentaire polyvalent
54 - 55	Stérilisation et nettoyage
56 - 59	PMesures de précaution
60 - 61	Si la vis de pressage cesse de fonctionner
62 - 67	Méthodes de préparation
63	Fruits et légumes
64	Agropyre et légumes verts feuillus
65	Émincer et hacher
65	Beurres de noix
65	Laits de noix et de soja
65	Desserts
66	Nourriture pour bébés
66	Grains de café moulus
67	Pâtes et pains bâtons
68 - 69	Diagnostic de défaillance
70 - 71	Information sur le produit
72 - 83	Recettes
84 - 125	Espagnol



CONSIGNES DE SÉCURITÉ IMPORTANTE

CONSIGNES DE SÉCURITÉ IMPORTANTE

Les précautions de sécurité de base suivantes s'appliquent lors de l'utilisation d'appareils électriques :

1. **LORSQUE VOUS UTILISEZ DES APPAREILS ÉLECTRIQUES, LES PRÉCAUTIONS DE BASE DOIVENT TOUJOURS ÊTRE PRISES. LISEZ TOUTES LES INSTRUCTIONS.**
2. Pour protéger contre les risques de choc électrique, ne plongez pas le corps principal (moteur) dans l'eau ou tout autre liquide.
3. Cet appareil n'est pas conçu pour une utilisation par les personnes (y compris les enfants) dont les capacités physiques, sensorielles ou mentales sont diminuées, ou qui manquent d'expérience et de savoir-faire. Une surveillance étroite est de rigueur lorsqu'un appareil quelconque est utilisé à proximité des enfants. Les enfants doivent être surveillés pour s'assurer qu'ils ne jouent pas avec l'appareil.
4. Éteindre l'appareil, puis débrancher la prise de courant lorsqu'il n'est pas utilisé, avant d'assembler ou de démonter des pièces et avant le nettoyage. Pour débrancher, saisir la fiche et la retirer de la prise de courant. Ne jamais tirer sur le cordon d'alimentation.
5. Évitez tout contact avec les pièces mobiles.
6. N'utilisez pas un appareil avec un cordon ou une fiche endommagée, ou après un dysfonctionnement de l'appareil, qui est tombé ou endommagé de quelque façon. Retournez l'appareil au centre de service agréé le plus proche pour un examen, une réparation ou un réglage électrique ou mécanique.
7. L'utilisation d'accessoires non recommandés ou vendus par le fabricant peut provoquer un incendie, un choc électrique ou des blessures.
8. Ne laissez pas le cordon pendre sur le bord d'une table ou d'un comptoir.
9. Assurez-vous que le goulot est toujours solidement fixé en place avant que le moteur ne soit allumé. N'ouvrez pas le goulot tandis que l'extracteur de jus fonctionne.
10. Assurez-vous de mettre l'interrupteur en position d'arrêt après chaque utilisation de votre extracteur de jus. Assurez-vous que le moteur soit complètement arrêté avant de le démonter.
11. Ne mettez pas vos doigts ou des objets dans l'extracteur de jus s'il fonctionne. Si de la nourriture se coince dans la prise, utilisez le poussoir fourni ou un autre morceau de fruit ou de légume à pousser vers le bas. Si cela est impossible, éteignez le moteur et démontez l'extracteur de jus pour éliminer la nourriture restante.
12. Ne l'utilisez pas à l'extérieur.
13. Ne placez pas l'appareil sur ou près d'un brûleur à gaz ou électrique ou dans un four chauffé.
14. N'utilisez pas l'appareil autrement que pour son utilisation prévue.

CONSERVEZ CES INSTRUCTIONS





COMPOSITION DE VOTRE OMEGA

COMPOSITION DE VOTRE OMEGA



A Poussoir

B Trémie

C Tambour

D Poignée

E Clip de sécurité

F Bouton Marche/Arrêt
(à l'arrière)

G Corps de l'appareil

H Vis de passage
(à l'intérieur du tambour)

I Cône vide
(à l'intérieur du tambour)

J Filtre à jus
(à l'intérieur du tambour)

K Capuchon d'extrémité vide

L Capuchon d'extrémité
réglable

M 1 becs à pains bâtons

N Passoire

O Brosse de nettoyage

P Contenant de pulpe

Q Contenant de jus

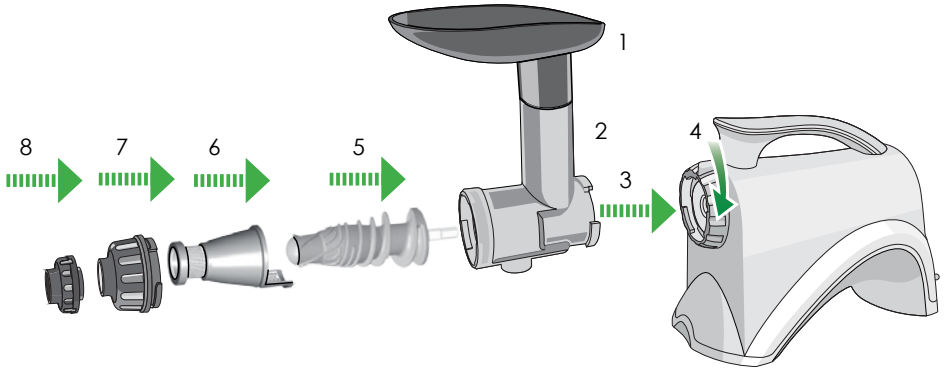
R Poussoir



ASSEMBLAGE RAPIDE

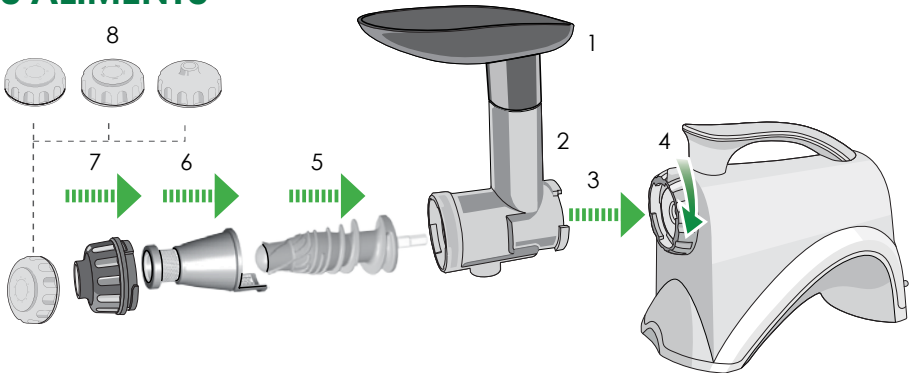
ASSEMBLAGE RAPIDE

EXTRACTEUR DE JUS



- 1 Trémie
- 2 Cheminée d'alimentation
- 3 Tambour
- 4 Clip de sécurité
- 5 Vis de pressage
- 6 Filtre à jus
- 7 Capuchon d'extrémité vide
- 8 Capuchon d'extrémité réglable
- 9 Contenant à pulpe
- 10 Contenant à jus

TRANSFORMATION DES ALIMENTS



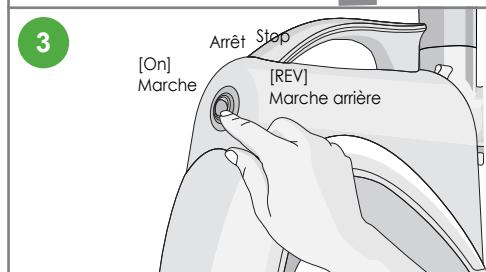
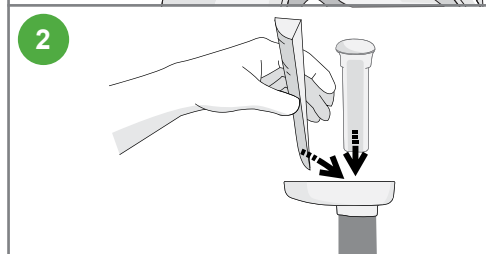
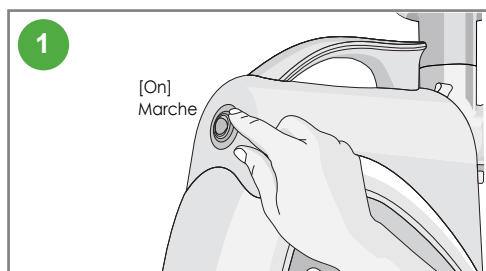
- 1 Trémie
- 2 Cheminée d'alimentation
- 3 Tambour
- 4 Clip de sécurité
- 5 Vis de pressage
- 6 Cône vide
- 7 Capuchon d'extrémité vide
- 8 Options de buses
- 9 Contenant à pulpe



MODE D'EMPLOI

MODE D'EMPLOI

EXTRACTION DE JUS



Appuyer sur le bouton [ON] à l'arrière du système alimentaire Omega® pour mettre l'appareil en marche.

Verser graduellement des ingrédients dans l'orifice de la trémie et appuyer sur le poussoir.

NE PAS placer d'objets métalliques dans la trémie. Si le tambour est bloqué ou si l'appareil cesse de fonctionner, appuyer sur le bouton marche arrière [REV] 2 ou 3 fois et appuyer de nouveau sur le bouton MARCHE [ON] afin de reprendre l'utilisation normale.

Une fois l'extraction ou le traitement terminé, mettre le commutateur en position d'arrêt [OFF].

⚠ AVERTISSEMENT Lorsque vous utilisez les boutons [ON] ou [REV] assurez-vous que la vis de pressage est complètement arrêtée.

Tourner le bouchon d'extrémité réglable dans le sens contraire des aiguilles d'une montre afin de resserrer la tension et d'augmenter ainsi la pression. Tourner dans le sens des aiguilles d'une montre pour desserrer. Le mode desserré est idéal pour les agrumes. Le mode resserré est idéal pour l'herbe de blé. L'utilisation du réglage approprié maximisera l'extraction de jus.

TRANSFORMATION DES ALIMENTS



Utiliser le capuchon d'extrémité vide pour les tâches liées à la transformation des aliments, tant pour émincer et hacher que pour extruder des pâtes ou des pains bâtons (se référer aux pages 22-25).



SYSTÈME D'ALIMENTATION POLYVALENT

SYSTÈME D'ALIMENTATION POLYVALENT

Ce système alimentaire ultrarésistant comprend une vis de pressage de type moulin tour brevetée, faite de hygiénique Ultem sans BPA. La vitesse basse de 80 tr/min garantit un plein goût et une valeur nutritionnelle supérieure.

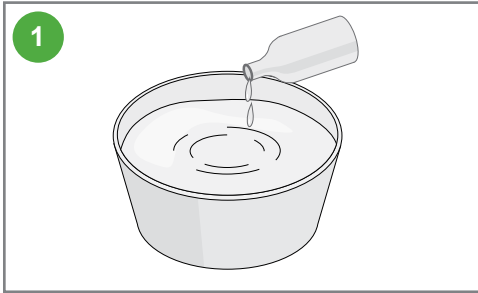
- **JUS DE FRUITS.** Extrait efficacement le jus des fruits durs et mous, même des agrumes.
- **JUS DE LÉGUMES.** Extrait le jus de toutes sortes de légumes, y compris les carottes, les betteraves, les céleris, les poivrons et les radis, sans en perdre ni l'arôme naturel ni les avantages nutritionnels. Un goût frais et une nutrition optimale sont garantis avec ce processus d'extraction unique.
- **HERBE DE BLÉ ET LÉGUMES VERTS FEUILLUS.** Le chou frisé, le chou, les épinards et les aiguilles de pin ne sont que quelques exemples d'aliments naturels pouvant être pressés pour en extraire le jus. Appréciez le meilleur de la nature dans les aliments crus et pressez-les pour en tirer les avantages nutritionnels complets.
- **ROBOT CULINAIRE.** Hache et émince tout en offrant les parfums naturels et les avantages nutritionnels de l'ail, des échalotes, du poivron rouge, du gingembre et de la plupart des aliments, y compris les herbes et les épices. Les aliments mous destinés aux régimes particuliers des bébés sont facilement et rapidement préparés grâce au réglage homogénéisateur.
- **BEURRES DE NOIX.** Préparez du beurre d'amandes, d'arachides, de graines de tournesol et plus encore avec des aliments entièrement naturels.
- **LAITS DE NOIX ET DE SOJA.** Utilisez des amandes, des pacanes, des cajous, des noisettes et vos noix favorites en vue de préparer des laits nutritifs. Vous pouvez également préparer du lait de noix de coco.
- **DESSERTS.** Préparez des desserts naturels sans produits laitiers ou gluten, faibles en gras, en sucre et en calories, qui goûtent comme vos glaces et vos friandises glacées préférées.
- **NOURRITURE POUR BÉBÉS.** Préparez des aliments pour bébés maison et assurez-vous ainsi que votre bébé s'alimente de fruits et de légumes nutritifs et faciles à digérer.
- **BROYEUR.** Moud facilement les grains de café et la farine.
- **PÂTES.** Extrudez des spaghettis, des linguines ou des pains bâtons en seulement quelques minutes au moyen des buses pour pâtes incluses.



STÉRILISATION ET ENTRETIEN

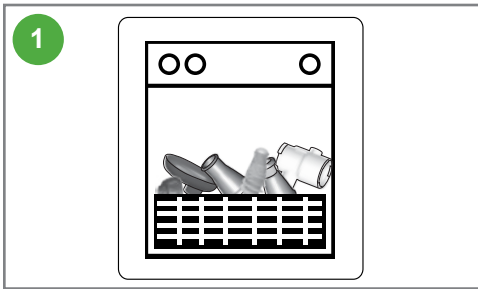
STÉRILISATION ET NETTOYAGE

STÉRILISATION



Vous pouvez nettoyer efficacement les pièces de votre appareil en les submergeant pendant environ 30 minutes dans de l'eau chaude, à laquelle vous ajoutez deux cuillerées de bicarbonate de soude ou du savon à vaisselle.

ENTRETIEN FACILE



Lorsque vous avez terminé d'utiliser le système alimentaire Omega®, vous n'avez qu'à mettre toutes les pièces au lave-vaisselle, sur le plateau supérieur.



MESURES DE PRÉCAUTION

MESURES DE PRÉCAUTION

Tous les utilisateurs de cet appareil doivent lire et comprendre les précautions à prendre avant de faire fonctionner l'appareil.

EXEMPLES DE SYMBOLES



Ce symbole indique que le contenu pourrait entraîner un risque d'incendie ou de décharge électrique.

L'avertissement précis figure dans le symbole.



Ce symbole indique des actions interdites.

Les interdictions précises figurent autour ou à l'intérieur du symbole



Ce symbole indique le contenu des mesures de réglementation et d'orientation.

Les interdictions précises figurent autour ou à l'intérieur du symbole.

PRÉCAUTIONS



ATTENTION Dangers ou pratiques dangereuses qui pourraient causer des blessures mineures ou endommager l'appareil.



NE PAS BRANCHER OU DÉBRANCHER L'APPAREIL LES MAINS MOUILLÉES.

Cela pourrait causer une décharge électrique ou une blessure.



NE PAS UTILISER AVEC UN VOLTAGE AUTRE QUE CELUI SPÉCIFIÉ.

Cela pourrait causer une décharge électrique, un incendie ou un rendement anormal. Si le voltage diffère, cela pourrait réduire la durée de vie du moteur ou entraîner une défaillance.



BRANCHER LE CORDON D'ALIMENTATION CORRECTEMENT ET FERMEMENT.

Cela pourrait causer une décharge électrique ou un incendie.



SI LE CORDON D'ALIMENTATION EST ENDOMMAGÉ, IL DOIT ÊTRE REMPLACÉ PAR LE FABRICANT, SON SERVICE OU UNE PERSONNE QUALIFIÉE AFIN D'ÉVITER TOUT DANGER.

Si le cordon d'alimentation est endommagé, il peut causer une décharge électrique ou un incendie.



NE JAMAIS MODIFIER L'APPAREIL. DE PLUS, NE PAS LE DÉMONTER NI LE RÉPARER SOI-MÊME. NE PAS INSÉRER DE DOIGTS, DE CORPS ÉTRANGERS OU D'OBJETS COMME UNE AIGUILLE DANS LES FENTES OU DANS LES TROUS DE LA BASE.

Cela pourrait causer une décharge électrique, un incendie ou une défaillance. Pour du soutien technique, communiquer avec un centre de service à la clientèle local autorisé..

MESURES DE PRÉCAUTION



NE PAS MOILLER LA BASE OU ÉCLABOUSER DE L'EAU SUR LA BASE.

Attention de ne pas laisser tout liquide ou toute substance s'introduire dans le commutateur de l'appareil. NE PAS UTILISER LE COMMUTATEUR LES MAINS MOUILLÉES. Cela pourrait causer une décharge électrique ou un incendie.



SI LE CORDON D'ALIMENTATION OU LE FIL EST BRISÉ OU ENDOMMAGÉ, OU QUE LA FICHE DEVIENT RELÂCHÉ, NE PAS UTILISER L'APPAREIL.

Cela pourrait causer une décharge électrique, un incendie ou une blessure.



POUR DES RAISONS DE SÉCURITÉ, METTRE LA CONNEXION À LA TERRE. NE JAMAIS RELIER À UNE CONDUITE DE GAZ, À UN TUYAU D'EAU EN PLASTIQUE OU À UNE LIGNE TÉLÉPHONIQUE.

Cela pourrait causer une décharge électrique, un incendie ou une défaillance et une explosion. S'assurer d'utiliser une prise de terre reliée au sol.



NE JAMAIS DÉMONTER LE BOL PENDANT QUE L'APPAREIL EST EN MARCHÉ NI INSÉRER LES DOIGTS OU DES CORPS ÉTRANGERS, COMME UNE FOURCHETTE OU UNE CUILLÈRE, DANS LE TUBE D'ALIMENTATION OU LA SORTIE DE JUS.

Cela pourrait causer une blessure, un accident ou une défaillance.



CET APPAREIL N'EST PAS DESTINÉ À L'UTILISATION PAR DES PERSONNES (NOTAMMENT LES ENFANTS) À CAPACITÉS PHYSIQUES, SENSORIELLES OU MENTALES RÉDUITES OU SANS EXPÉRIENCE NI CONNAISSANCE DU PRODUIT, SOUS RÉSERVE DE SURVEILLANCE OU D'INSTRUCTION PAR LA PERSONNE RESPONSABLE DE LEUR SÉCURITÉ LORS DE L'USAGE DE L'APPAREIL.

Il faut surveiller les enfants afin de s'assurer qu'ils ne jouent pas avec l'appareil.



NE PAS FAIRE FONCTIONNER L'APPAREIL SANS VERROUILLER CONVENABLEMENT LA TRÉMIE.

Cela pourrait causer une blessure ou une défaillance.



EN PRÉSENT D'UNE FUITE DE GAZ, NE PAS INSÉRER LA FICHE DU CORDON D'ALIMENTATION DANS UNE PRISE. OUVREZ LES FENÊTRES POUR VENTILER ENTIÈREMENT ET IMMÉDIATEMENT.

Cela pourrait causer une blessure ou une défaillance.



SI LA VIS DE PRESSAGE CESSE DE TOURNER AU COURS DU FONCTIONNEMENT NORMAL, APPUYER SUR LE BOUTON DE MARCHÉ ARRIÈRE [REV] ET LE MAINTENIR ENFONCÉ PENDANT 2 À 3 SECONDES. UNE FOIS L'OPÉRATION EN MARCHÉ ARRIÈRE TERMINÉE, APPUYER DE NOUVEAU SUR LE BOUTON [ON].

Si une telle interruption continue de se produire pendant l'exploitation, cela pourrait endommager les pièces et affaiblir le rendement en raison du surchauffage du moteur. Si le problème persiste, arrêter immédiatement l'appareil et communiquer avec le centre local de service à la clientèle.



NE JAMAIS INSÉRER UN DOIGT, UNE FOURCHETTE, UNE CUILLÈRE, ETC., DANS LA SORTIE DE JUS.

Cela pourrait causer une blessure ou une défaillance.

MESURES DE PRÉCAUTION



LORSQUE L'APPAREIL EST EN MARCHÉ, NE PAS TENTER DE DÉPLACER LA BASE, DE DÉMONTÉ LE BOL OU D'AUTRES PIÈCES AFIN DE LES VERROUILLER.

Cela pourrait causer une blessure ou une défaillance. En cas de toute mesure nécessaire, arrêter d'abord l'appareil et débrancher le cordon d'alimentation.



LORS DE L'UTILISATION DE L'APPAREIL, ATTENTION AUX CRAVATES, AUX LONGS COLLIERS, AUX ÉCHARPES, ETC., QUI POURRAIENT S'INTRODUIRE DANS LE TUBE D'ALIMENTATION.

Cela pourrait causer une blessure, une défaillance ou un bris.



POSER L'APPAREIL SUR UNE SURFACE PLANE ET STABLE.

Cela pourrait causer une blessure ou une défaillance.



NE PAS FAIRE FONCTIONNER L'APPAREIL PENDANT PLUS DE 30 MINUTES À LA FOIS.

Cela pourrait endommager le moteur en raison d'un surchauffage. Refroidir suffisamment l'appareil durant 5 minutes avant de continuer à l'utiliser.



POUR INTRODUIRE LES INGRÉDIENTS DANS LE TUBE D'ALIMENTATION, UTILISER SEULEMENT LE POUSSOIR FOURNI.

Cela pourrait causer une blessure ou une défaillance.



NE PAS LAISSER L'APPAREIL SUBIR UN CHOC SÉRIEUR ET NE PAS L'ÉCHAPPER.

Cela pourrait causer une décharge électrique, un incendie ou un bris.



SI L'APPAREIL A MAUVAISE ODEUR OU S'IL SURCHAUFFE ET LAISSE ÉCHAPPER DE LA FUMÉE, CESSER IMMÉDIATEMENT DE L'UTILISER ET COMMUNIQUER AVEC LE CENTRE LOCAL DE SERVICE À LA CLIENTÈLE.

Lors de l'utilisation d'un nouvel appareil, il a une odeur, mais celle-ci se dissipe naturellement avec le temps.



TOUJOURS DÉBRANCHER L'APPAREIL APRÈS UTILISATION. LORS DU DÉBRANCHEMENT DU CORDON, BIEN TENIR LE CORDON D'ALIMENTATION.

Débrancher l'appareil en tirant sur le cordon d'alimentation peut causer une décharge électrique ou un incendie.



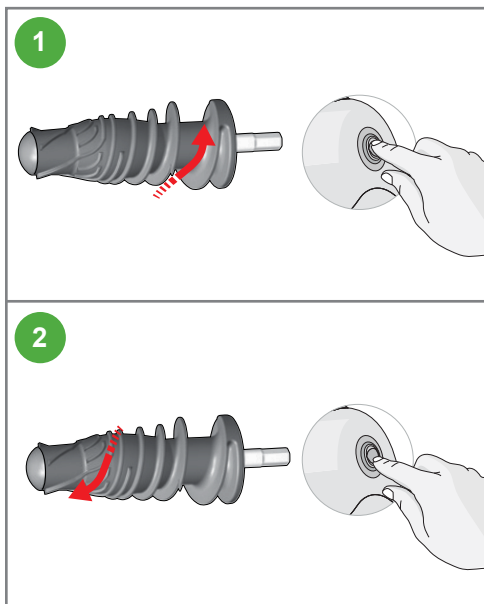
L'APPAREIL PÈSE ENVIRON 6 KG (13,2 LB). POUR DÉPLACER L'APPAREIL, TENIR FERMEMENT LES POIGNÉES AU BAS DE LA BASE AVEC LES DEUX MAINS.

Déplacer l'appareil en tenant le bol ou le rebord de la base fait tomber la base, ce qui peut causer une blessure ou une défaillance.



**SI LA VIS DE PRESSAGE
CESSE DE FONCTIONNER**

SI LA FOREUSE CESSE DE FONCTIONNER



Appuyer sur le bouton [REV] pendant 3 à 5 secondes, puis relâcher. Lorsque le bouton [REV] est relâché, la vis de pressage cessera de tourner. Répéter cette démarche 2 ou 3 fois. Le bouton [REV] pousse les ingrédients vers le haut et libère les aliments coincés.

Appuyer sur le bouton [ON] pour utiliser l'appareil correctement. Lorsque le bouton [ON] ou [REV] est utilisé, s'assurer que la vis de pressage s'arrête complètement après l'arrêt de l'appareil ou le relâchement du bouton.

Remarque :

Si, après avoir suivi les consignes ci-dessus, l'extracteur à jus ne fonctionne toujours pas, débrancher le cordon d'alimentation, démonter et nettoyer la cuve, puis réessayer.



PRÉPARATION

FRUITS ET LÉGUMES

HERBE DE BLÉ ET LÉGUMES VERTS

ÉMINCER ET HACHER BEURRES DE NOIX

LAITS DE NOIX ET DE SOJA

DESSERTS

NOURRITURE POUR BÉBÉS

CAFÉ MOULU

PÂTES ET PAINS BÂTONS

PRÉPARATION

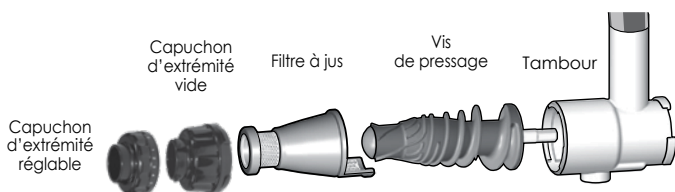
FRUITS ET LÉGUMES

Filter de jus

Bouchon d'extrémité ajustable

Aucune buse nécessaire

- Passoire : Vous pouvez utiliser la passoire si vos aliments pressés dégagent plus de mousse et de pulpe que vous préférez. Placez la passoire sur le contenant ou le bol après l'extraction et avant de verser le jus dans un verre.
- Laver bien les ingrédients frais pour en retirer l'accumulation de produits chimiques. Le système alimentaire Omega® peut extraire le jus de fruits et légumes non pelés, mais il se peut que vous préférez peler les aliments au préalable selon vos goûts.
- Le traitement des aliments mous est plus facile s'ils sont réfrigérés.
- Coupez les fruits et légumes en petits morceaux pour les insérer dans le tambour.
- Allumez l'appareil [Marche] et laissez-le fonctionner sans interruption jusqu'à l'extraction complète du jus.
- Alternez entre les aliments mous et durs. Idéalement, il vaut mieux commencer par un aliment mou.
- Si la pulpe commence rendre le fonctionnement normal.
- Après avoir posé le dernier fruit ou légume dans l'entonnoir, garder l'appareil en marche pendant quelques secondes afin de vous assurer que toutes les gouttes de jus sont extraites.
- Après chaque utilisation, nettoyez tous les morceaux qui ont touché les aliments ou le jus.
- Vous pouvez extraire le jus d'aliments normalement non utilisés pour la préparation des repas, par exemple, les bouts de carottes ou de betteraves.



La passoire filtrera l'excès de mousse ou de pulpe.

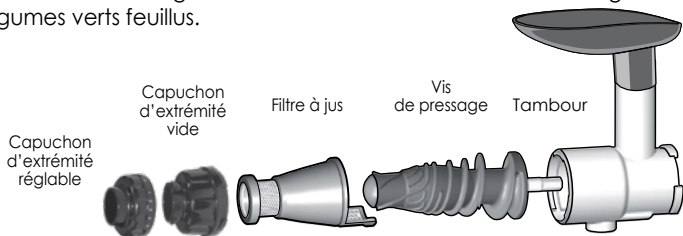


PRÉPARATION

HERBE DE BLÉ ET LÉGUMES VERTS

Filtre à jus | **Capuchon d'extrémité réglable** | **Aucune buse nécessaire**

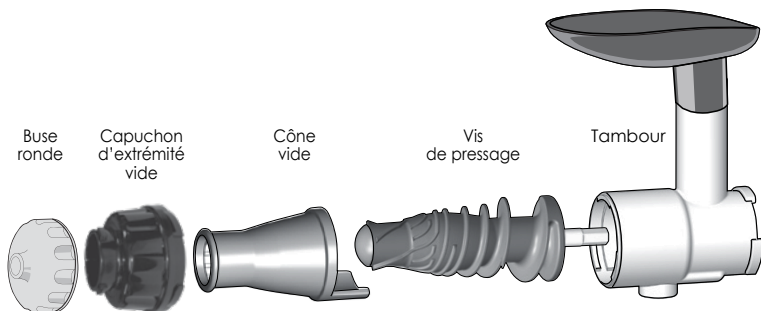
- Passoire : Vous pouvez utiliser la passoire si vos aliments pressés produisent plus de mousse et de pulpe que ce que vous préférez. Placez la passoire sur le bol après l'extraction et avant de verser le jus dans un verre. Vous pouvez aussi placer la passoire sur le contenant à pulpe et verser une petite quantité de jus dans un verre.
- Lavez bien les ingrédients frais afin d'en retirer les produits chimiques accumulés.
- Ne remplissez pas trop le tube d'alimentation. Introduisez de petites quantités d'aliments. Permettez l'extraction de tout le jus avant d'ajouter le prochain aliment.
- Certains jus peuvent être versés dans le contenant à pulpe et non dans le bol à jus. Cela est tout à fait normal. Cela se produira jusqu'à ce que la zone d'éjection soit remplie de pulpe.
- En cas d'extraction d'un aliment visant à ajouter du goût, veuillez l'insérer durant la première moitié du processus. Les aliments ajoutés à la fin risquent de ne pas apporter un plein arôme.
- Certaines boissons de légumes verts peuvent avoir un goût trop prononcé pour certaines personnes. Vous pouvez ajouter du citron, des pommes, du gingembre, des carottes ou des betteraves en guise de sucre naturel en vue de diluer le goût de l'herbe de blé et des légumes verts feuillus.



ÉMINCER ET HACHER

Cône vide | **Capuchon d'extrémité réglable** | **Buse ronde/ovale**

- Utilisez l'appareil comme un robot culinaire afin de préparer des marinades, des salsas, des soupes et des sauces.
- Émincez ou hachez de la viande, du poisson, des herbes, du riz trempé ou des fèves. Enlevez tout le gras présent sur la viande ou la volaille si vous ne souhaitez pas qu'il se retrouve dans le produit fini. Dépecez et écaillez le poisson avant le traitement.



PRÉPARATION

BEURRES DE NOIX

Cône vide | Capuchon d'extrémité réglable | Buse optionnelle

- Les beurres de noix sont une forme naturelle de beurre d'arachides, d'amandes, de graines de tournesol, etc.
- Retirez la peau et les coquilles des noix. Allumez l'appareil en appuyant sur [ON]. Commencez à ajouter des noix.
- Passez les noix dans le système alimentaire au moins deux ou trois fois, jusqu'à l'obtention d'une texture lisse.

LAITS DE NOIX ET DE SOJA

Cône vide | Capuchon d'extrémité réglable | Buse optionnelle

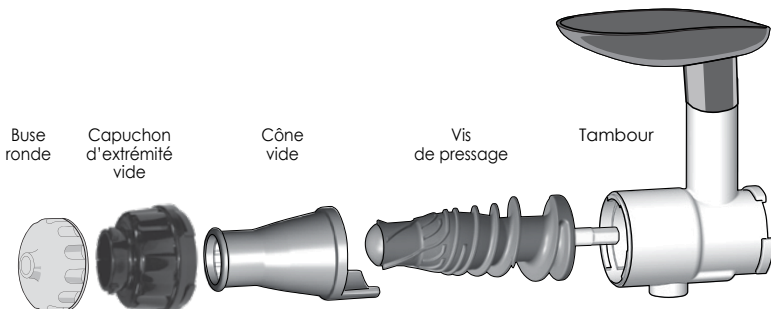
- Les laits de noix sont extraits notamment des amandes, des pacanes, des cajous, des noisettes, etc. Vous pouvez également faire du lait de noix de coco et de soja.
- Faites tremper les noix durant 4 à 8 heures dans l'eau.
- Allumez l'appareil en appuyant sur [ON]. À l'aide d'une cuillère, introduisez les noix trempées (et une partie de l'eau) dans l'orifice de la trémie. Remettez la pulpe dans l'orifice avec plus d'eau et moulez une seconde fois afin d'obtenir plus de saveur et une texture plus crémeuse. Par la suite, vous pouvez arrêter ou mouler une troisième fois.

DESSERTS

Cône vide | Capuchon d'extrémité réglable | Buse optionnelle

- Préparez des desserts congelés sans gras, ni sucre, ni calories ajoutés.
- Faites décongeler les fruits surgelés durant 5 à 10 minutes. Allumez l'appareil en appuyant sur [ON]. Faites passer les fruits dégelés dans le système alimentaire et servir.
- Les parfums de sorbet aux fruits les plus populaires sont : banane, cerise, mûre, bleuet, framboise, fraise, melon d'eau, kiwi, mangue, poire, ananas, pêche, raisin, orange et plus encore!
- Vous pouvez aussi faire des limonades glacées et de la glace avec des ingrédients entièrement naturels. Vous trouverez des recettes au www.OmegaJuicers.com.

Les recettes ci-dessus sont préparées à l'aide des accessoires ci-dessous.



NOURRITURE POUR BÉBÉS

Cône vide | **Capuchon d'extrémité réglable** | **Aucune buse nécessaire**

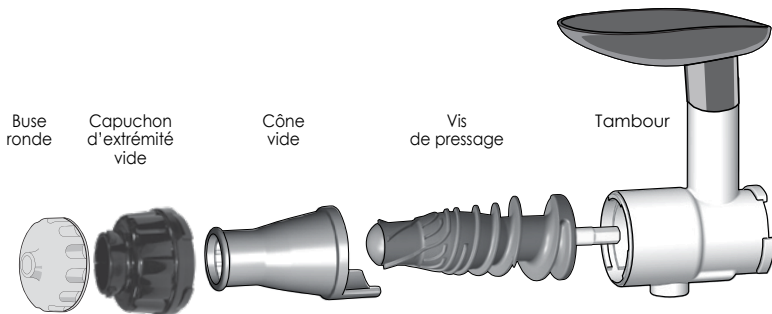
- Préparer des aliments pour bébés maison à l'aide de votre appareil Omega est une expérience gratifiante, car cela permet de vous assurer que votre bébé s'alimente de fruits et de légumes nutritifs et faciles à digérer. Votre bébé a aussi l'occasion de goûter régulièrement à une grande variété de textures et de goûts sans agents de conservation ni additifs artificiels.
- Commencez par faire cuire les fruits ou les légumes, à la vapeur, au four ou dans l'eau bouillante. La cuisson à la vapeur est la méthode qui permet de conserver le plus de nutriments.
- Les fruits tels que les pommes, les poires, les pêches, les prunes, les mangues et les fraises sont faciles à réduire en purée.
- Les légumes tels que les pommes de terre, les carottes, les patates douces, le brocoli et les courges sont faciles à réduire en purée.
- Allumez l'appareil en appuyant sur [ON]. À l'aide d'une cuillère, mettez les légumes ou les fruits cuits dans l'orifice de la trémie, avec une partie du liquide de cuisson. L'ajout du liquide aide à conserver les nutriments libérés dans l'eau durant la cuisson.

CAFÉ MOULU

Cône vide | **Capuchon d'extrémité réglable** | **Aucune buse nécessaire**

- Allumez l'appareil en appuyant sur [ON]. Versez lentement et continuellement les grains de café dans l'orifice de la trémie. Vous obtiendrez des grains de café finement moulus. Ne pas ajouter trop de grains à la fois. Vous ne devriez pas avoir à moulin les grains deux fois.
- Si les grains de café ont une haute teneur en huile, vous pouvez les faire sécher durant la nuit pour faciliter la mouture.

Les recettes ci-haut sont préparées à l'aide des accessoires ci-dessous.



PÂTES ET PAINS BÂTONS

Cône vide | Capuchon d'extrémité réglable | Buse ronde, plane ou pour pains bâtons

- Cet appareil est conçu pour extruder des pâtes et non pour les confectionner. Préparez la pâte à la main ou au moyen d'un mélangeur.
- Saupoudrer une petite quantité de farine sur la pâte, sur la trémie du système alimentaire et dans le tambour afin d'éviter qu'elle ne colle.
- Ajouter de l'eau à la pâte si elle devient trop sèche.
- Pour extruder des pâtes :

Choisissez le type de buses que vous préférez et placez la buse sur le tambour.

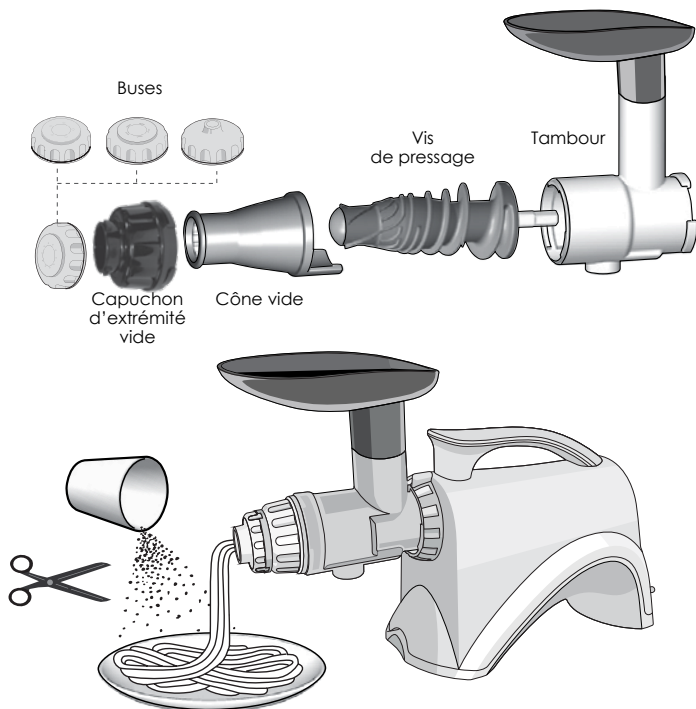
Façonnez la pâte en boules ou en tubes légèrement plus petits que l'ouverture du tambour du système alimentaire.

Allumez l'appareil en appuyant sur [ON]. Passez la pâte dans le système alimentaire. Si vous introduisez de la pâte sans interruption, vous obtiendrez des nouilles plus longues à mesure que les pâtes sortent. Les pâtes peuvent ensuite être coupées selon la longueur désirée avec des ciseaux ou un couteau.

Les pâtes fraîches doivent être cuites dans l'eau bouillante. Les pâtes fraîches cuisent plus rapidement que les pâtes emballées.

Si vous voulez rehausser le goût de vos pâtes, ajoutez des épinards, du basilic ou des tomates séchées. Le jus et la pulpe de légume restant peuvent également être intégrés aux pâtes pour ajouter un arôme.

Votre choix de buse déterminera la taille et la forme des pâtes.





DIAGNOSTIC DE DÉFAILLANCE

DIAGNOSTIC DE DÉFAILLANCE

Veillez tenter de diagnostiquer la défaillance de l'appareil en vous référant aux détails ci-dessous avant de communiquer avec le centre de service à la clientèle d'Omega aux fins de réparation ou de service. Lorsque vous communiquez avec Omega aux fins de service après-vente, ayez sous la main le numéro de série et le code à barres du produit.

L'appareil ne fonctionne pas

- Assurez-vous que le cordon d'alimentation est correctement branché.
- Assurez-vous que la trémie est assemblée correctement. Si la trémie n'est pas en place et verrouillée, l'appareil ne fonctionnera pas.
- Assurez-vous que l'appareil est assemblé selon les instructions qui figurent dans le présent manuel. Référez-vous aux instructions.
- Si l'appareil ne fonctionne toujours pas, veuillez communiquer avec le service à la clientèle d'Omega pour obtenir un soutien additionnel.

La trémie ne s'ouvre pas

- S'il y a beaucoup de pulpe dans la cuve, appuyer sur [ON] pour libérer l'excès de pulpe.
- Vérifiez que l'appareil ne contient aucun corps étranger ni objet solide comme des pépins.
- Appuyez sur le bouton [REV] pour repousser les ingrédients coincés vers le haut.
- Ne pas forcer pour ouvrir. Si la trémie ne s'ouvre toujours pas, veuillez communiquer avec le service à la clientèle d'Omega pour un soutien additionnel.

L'appareil cesse de fonctionner durant son exploitation normale

- Vérifiez si des morceaux d'aliments sont coincés dans l'appareil.
- Référez-vous à la section « Si la vis de pressage cesse de fonctionner » du présent manuel et suivez les consignes relatives au bouton [REV].
- Si l'appareil ne fonctionne toujours pas, veuillez communiquer avec le service à la clientèle d'Omega pour obtenir un soutien additionnel.

Lignes fines ou égratignures autour de la vis de pressage

- Cela est tout à fait normal. Ne vous inquiétez pas. Ces marques de moulure découlent du processus normal de fabrication.

Fuites de jus sur la base de l'appareil

- Vérifiez si une quantité excessive d'aliments se trouve dans l'orifice de la trémie.
- Si vous tentez d'extraire une grande quantité d'aliments comparativement à l'évacuation de la pulpe, le dispositif d'étanchéité sera légèrement repoussé. Cette fente peut être la cause de la fuite de jus.
- Ne tentez pas de mettre trop d'aliments dans l'extracteur à jus. Aux fins d'extraction, poussez graduellement les aliments.
- Vérifiez si le rabat de jus est fermé.

L'extracteur de jus tremble pendant l'utilisation

- Cela est normal et est causé par la rotation de la vis de pressage. Ce n'est pas une défectuosité. Les ingrédients durs, comme les carottes, les pommes de terre, les radis et les betteraves, peuvent susciter davantage de tremblement que les ingrédients plus mous.
- Selon la fermeté des ingrédients, il peut y avoir un tremblement plus prononcé.
- Un tremblement léger est attribuable au moteur.

POUR NOUS JOINDRE :

Service à la clientèle : 1 800 633-3401

En ligne : www.OmegaJuicers.com/contact-omega-juicers



INFORMATION SUR LE PRODUIT

INFORMATION SUR LE PRODUIT

Nom du produit	Système alimentaire Omega
Modèle	NC800HDS / NC900HDC / NC900HDR
Tension	120 V
Fréquence	60 Hz
Consommation électrique	150 watts
Vitesse de rotation	80 tr/min
Longueur du cordon d'alimentation	1625,6 (64 po)
Moteur	2 ch
Poids à l'expédition	9 kg (20 lb)
Dimensions externes	Largeur : 16,51 cm (6,5 po) Profondeur : 36,83 cm (14,5 po) Hauteur : 39,37 cm (15,5 po)
Aussi offert NC802HDR, NC802HDS et NC902HDC	220-240 V / 50-60 Hz





RECETTES

Lait d'Amande

Ingrédients:

2 tasses d'amandes non salées
6 tasses d'eau distillée

PRÉP 12 heures MÉTHODE 4 minutes

Méthode:

- 1 Faire tremper les amandes dans 3 tasses d'eau durant la nuit. Égoutter.
- 2 Place almonds in 3 cups of fresh water.
- 3 Au moyen du filtre de jus du Système alimentaire Omega®, verser à la louche les amandes et l'eau dans la extracteur de jus. Si vous préférez un lait plus liquide, ajoutez de l'eau.
- 4 Vous pouvez sucrer le lait en ajoutant 1 cuillère à thé de miel, de nectar d'aguave, de sucre de canne ou de sirop d'érable. Vous pouvez faire du lait d'amandes ou du lait au chocolat aux amandes en ajoutant 1 cuillère à table de poudre de cacao sans sucre.

Lait de Soja

Ingrédients:

1 tasse de soja biologiques
6 tasses d'eau
une pincée de sel
½ cuillère à thé d'extrait de vanille
1 cuillère à thé d'aguave
ou autre édulcorant
1 cuillère à thé de cannelle

PRÉP 10 minutes MÉTHODE 35 minutes

Méthode:

- 1 Faire tremper les amandes dans 3 tasses de soja durant la nuit. Égout
- 2 Placer le soja dans 3 tasses d'eau fraîche. Au moyen du filtre de jus du Système alimentaire Omega®. Verser à la louche les sojas et l'eau dans le jus. Si vous préférez un lait plus liquide, ajoutez de l'eau.
- 3 Transférer le lait dans une casserole sur la cuisinière. Amener le lait à ébullition. Baisser ensuite le feu à doux et laisser mijoter durant 25 minutes. Prélever tout film ou mou
- 4 Retirer du feu et assaisonner avec du sel, de l'extrait de vanille, de l'aguave et de la cannelle. Mélanger et savourer.

Beurre d'Arachides

Ingrédients:

- 2 tasses d'arachides rôties sans coquilles et sans peau
- 1 cuillère à table d'huile de pépins de raisins
- 2 cuillères à thé de nectar de noix de coco
- 1 cuillère à thé de sel réel

PRÉP 5 minutes MÉTHODE 10 minutes

Méthode:

- 1 Avec un Système alimentaire Omega®, substituer le cône d'extraction de jus par le cône vide; assembler la buse de pâtes voulue.
- 2 Commencer à verser les noix dans l'entonnoir. Les passer 2 ou 3 fois jusqu'à ce que l'huile apparaisse.
- 3 Transférer dans un bol et mélanger tous les ingrédients à la main, avec cuillère.
- 4 Verser le mélange dans le Système alimentaire Omega®.

Beurre Aux Noix à la Pâte à Biscuits

Ingrédients:

- 2 cups dry cashews
- 6 tablespoons coconut nectar
- 1 tbsp coconut oil
- 2 tsp vanilla powder
- ½ tsp real salt

PRÉP 5 minutes MÉTHODE 8 minutes

Méthode:

- 1 Avec un Système alimentaire Omega®, substituer le cône d'extraction de jus par le cône vide; assembler la buse de pâtes voulue.
- 2 Commencer à verser les noix dans l'entonnoir. Les passer 2 ou 3 fois jusqu'à ce que l'huile apparaisse.
- 3 Transférer dans un bol et mélanger à la main tous les ingrédients, avec une cuillère. Verser le mélange dans le Système alimentaire une fois de plus.

Pâtes Maison

Ingrédients:

1 tasse de farine
1 oeuf battu
2 cuillères à table d'eau
½ cuillère à thé de sel

PRÉP 5 minutes MÉTHODE 5 minutes

Méthode:

- 1 Dans un grand bol, mélanger la farine et le sel.
- 2 Faire un puits au centre du mélange de farine et de sel, puis ajouter l'oeuf. Si la pâte est trop ferme, ajouter de l'eau.
- 3 Avec un Système alimentaire Omega®, substituer le cône d'extraction de jus par le cône vide; choisir la buse de pâtes voulue.
- 4 Passer la pâte par l'entonnoir et couper les nouilles selon la longueur voulue.

Pâtes Sans Oeufs

Ingrédients:

2 tasses de semoule
½ cuillère à thé de sel
½ tasse d'eau chaude

PRÉP 5 minutes MÉTHODE 5 minutes

Méthode:

- 1 Dans un grand bol, mélanger la semoule et le sel, puis ajouter de l'eau (en ajouter plus si la pâte est trop ferme).
- 2 Avec un Système alimentaire Omega®, substituer le cône d'extraction de jus par le cône vide; choisir la buse de pâtes voulue.
- 3 Passer la pâte par l'entonnoir et couper les nouilles selon la longueur voulue.

Pains Bâtons

Ingrédients:

2 ¼ sachet de levure sèche active
 1 ½ tasse d'eau chaude
 ½ tasse de lait chaud
 2 cuillères à table de sucre
 3 cuil. à table de beurre, séparées et fondues
 ½ cuillère à thé de sel casher
 ½ cuillère à thé d'ail émincé
 ¾ cuil. à thé d'assaisonnement
 à l'italienne séché
 4 ½ - 5 ½ tasses de farine
 ¼ tasse de fromage parmesan râpé

PRÉP 15 minutes MÉTHODE 5 minutes

Méthode:

- 1 Dans un grand bol, mélanger l'eau et la levure et laisser reposer jusqu'au bouillonnement (7-10 minutes).
- 2 Ajouter le lait, le sucre, le beurre, le sel casher et 2 tasses de farine. Battre jusqu'à une consistance lisse. Ajouter le fromage parmesan et le reste de la farine jusqu'à ce qu'une pâte molle se forme.
- 3 Avec un Système alimentaire Omega®, substituer le cône d'extraction de jus par le cône vide; choisir la buse de pains bâtons voulue.
- 4 Passer la pâte par l'entonnoir et repasser à nouveau 7 à 8 fois. Diviser la pâte en portions égales.

Un verre de Salsa

Ingrédients:

2 tomates
 ¼ oignon
 ½ limette
 1 piment fort
 5 branches de ciboulette
 fraîche

PRÉP 5 minutes JUS minutes

Méthode:

- 1 Bien laver tous les aliments.
- 2 Peler la limette (facultatif).
- 3 Ajouter tous les ingrédients dans votre Système alimentaire Omega® et presser.
- 4 Servir et savourer.

Aliments pour bébés - Compote de Pommes

Ingrédients:

3 pommes rouges moyennes

PRÉP 15 minutes MÉTHODE 6 minutes

Méthode:

- 1 Cuire à la vapeur 3 pommes rouges moyennes pelées et épépinées.
- 2 Avec un Système alimentaire Omega®, substituer le cône d'extraction de jus par le cône vide; choisir la buse voulue.
- 3 Passer dans le Système alimentaire Omega®.

Ajouter une pincée de cannelle.
Donne 1 tasse.

Aliments pour bébés - Ignames

Ingrédients:

2 ignames

PRÉP 30 minutes MÉTHODE 5 minutes

Méthode:

- 1 Cuire les pommes de terre à la vapeur de 20 à 25 minutes.
- 2 Passer dans le Système alimentaire Omega®.
- 3 1 grosse igname donne environ 1 tasse.

Aliments pour bébés - Carottes

Ingrédients:

3 grosses carottes

PRÉP 30 minutes

MÉTHODE 5 minutes

Méthode:

- 1 Cuire les carottes à la vapeur.
- 2 Avec un Système alimentaire Omega®, substituer le cône d'extraction de jus par le cône vide; choisir la buse voulue.
- 3 Passer les carottes dans le Système alimentaire Omega®.

Trois grosses carottes donne environ 1 tasse.

Aliments pour bébés - Petits Pois

Ingrédients:

Petits pois

PRÉP 3 minutes

MÉTHODE 6 minutes

Méthode:

- 1 Égoutter les pois durant la préparation. Nul besoin de cuire à la vapeur, au goût.
- 2 Avec un Système alimentaire Omega®, substituer le cône d'extraction de jus par le cône vide; choisir la buse voulue.
- 3 Ensuite, passer les pois dans le Système alimentaire Omega®. Convient idéalement aux enfants âgés de 1 à 2 ans (le plus jeunes ont de la difficulté à les digérer).

Boost Revigorant

Ingrédients:

½ betterave
 5 feuilles d'épinard
 ¼ cabbage
 1 tige de broccoli
 ½ pamplemousse
 ½ citron
 1 orange
 1 kiwi
 2 petits morceaux de gingembre

PRÉP 2 minutes JUS 4 minutes

Méthode:

- ① Couper les fruits et légumes en morceaux pour l'entonnoir
- ② Presser dans le Système alimentaire Omega®
- ③ Verser sur glace
- ④ Savourer!

Rêve Australien

Ingrédients:

2 betteraves (betterave australienne)
 2 carottes biologiques
 1 tasse de fraises biologiques
 2 tasses de feuilles de chou vert frisé
 (6 à 8)
 (chou australien toscane)

PRÉP 3 minutes JUS 6 minutes

Méthode:

- ① Bien laver tous les aliments.
- ② Couper en morceaux de taille nécessaire
- ③ Presser dans un Système alimentaire Omega®.
- ④ Verser sur glace et savourer

Agrumes Ensoleillées

Ingrédients:

2 pamplemousses (pelés)
1 poivron rouge
2 poires
6 carottes

PRÉP 5 minutes JUS 5 minutes

Méthode:

- 1 Bien laver tous les ingrédients
- 2 Presser tous les aliments dans un Système alimentaire Omega® et savourer!

Portion : 16 à 18 oz

Regorge de vitamine C et de bêta-carotène, ainsi que de vitamines A et K et même de cuivre.

Jus de Pommes & Kiwi

Ingrédients:

2 pommes
3 kiwis

PRÉP 5 minutes JUS 5 minutes

Méthode:

- 1 Laver les pommes, puis dénoyauter et couper en quarts.
- 2 Peler les kiwis et hacher en petits morceaux.
- 3 Presser les ingrédients dans votre Système alimentaire Omega®.
- 4 Remuer avant de consommer.

Boost Santé Intégral

Ingrédients:

1 pomme moyenne,
pelée et coupée en cubes
2 poires moyennes mûres,
pelées et tranchées en cubes
½ tasse cerises fraîches
(dénoyautés ou surgelés et dégelés)

PRÉP 5 minutes | JUS 5 minutes

Méthode:

- 1 Dans votre Système alimentaire Omega®, presser la pomme, les poires et les cerises.
- 2 Avant de servir, garnir avec des cerises fraîches au goût.

Concombre Puissant

Ingrédients:

1 concombre 1
2 feuilles de « chou vert »
1 poignée de chou-fleur
½ citron (zeste jaune pelé)

PRÉP 5 minutes | JUS 5 minutes

Méthode:

- 1 Laver tous les fruits et légumes.
- 2 Ajouter tous les ingrédients dans votre extracteur de jus Omega et presser.
- 3 Verser dans un verre et savourer.

Agrumes Ensoleillées

Ingrédients:

1 tasse de pêches en dés
 1 tasse de mangues en
 dés et pelées
 1 orange fraîchement pressée
 ½ tasse d'eau de noix de coco
 1 c. à thé de nectar d'agave

PRÉP 5 minutes JUS 5 minutes

Méthode:

- 1 Dans votre Système alimentaire Omega®, presser tous vos ingrédients jusqu'à consistance ctueuse et tamiser au goût.
- 2 Servir froid et garnir d'une tranche de pêche.

Rêverie des îles Sorbet

Ingrédients:

½ tasse de morceaux d'ananas surgelés
 ½ tasse de bananes surgelés
 1 tasse de fraises surgelés
 ½ tasse de mangues surgelés
 en morceaux
 2 cuillères à table de ocons de noix
 de coco

PRÉP 5 minutes MÉTHODE 5 minutes

Méthode:

- 1 Mélanger tous les ingrédients dans un bol. Dégeler légèrement avant de les passer dans le Système alimentaire Omega®.
- 2 Changer le cône d'extraction de jus pour le cône vide et assembler votre buse de choix.
- 3 Commencer à verser et à pousser les ingrédients dans l'entonnoir. Servir.

Limonade Congelée Sorbet

Ingrédients:

6 cuillères à table de jus de citron
3 cuillères à table de miel cru
1 tasse d'eau

Méthode:

- 1 Faire chauffer le jus de citron et le miel au micro-ondes pendant 10 à 20 secondes. Ajouter l'eau et mélanger.
- 2 Geler le mélange dans un bac à glaçons ou dans un moule à Popsicle.
- 3 Avec un Système alimentaire Omega®, substituer le cône d'extraction de jus par le cône vide et installer la buse voulue.
- 4 Dégeler légèrement les cubes de citron avant de les passer dans le Système alimentaire Omega®. Servir.

PRÉP 6 hours

MÉTHODE 5 minutes

Glace de Rêve Orangée Sorbet

Ingrédients:

4 oranges/mandarines surgelées
et pelées
1 tasse de yogourt à la vanille

Méthode:

- 1 Geler le yogourt et peler les quartiers d'orange.
- 2 Dégeler légèrement avant de passer dans le Système alimentaire Omega®.
- 3 Substituer le cône d'extraction de jus par le cône vide et installer la buse voulue.
- 4 Verser et pousser les ingrédients dans l'entonnoir, en alternant entre le yogourt et les quartiers d'orange. Servir.

PRÉP 5 minutes

MÉTHODE 5 minutes



¡Felicidades!

FELICIDADES por la compra de su nuevo Omega.

En Omega, nos esforzamos por ofrecer máquinas tecnológicamente avanzadas que ayudan a brindar el máximo nivel de nutrición y de sabor, de la forma más parecida a la pureza de la naturaleza. Somos impulsados por ustedes, los seguidores de nuestra marca. Su entusiasmo nos ayuda a seguir renovando y reinventando nuestra línea de extractores, licuadoras de alta velocidad y equipos para bebidas. Nuestro equipo en Omega le agradece por apoyarnos durante más de 50 años.

Síguenos en Twitter @OmegaAppliances y/o en Facebook @OmegaJuicers

PARA REGISTRO DEL PRODUCTO, VISITE:
www.omegajuicers.com/omega-warranty-registration

PARA RECETAS, VISITE: **www.omegajuicers.com/recipes**

PARA SERVICIO AL CLIENTE: Llame al **1-800-633-3401**
o visite: **www.omegajuicers.com/contact-omega-juicers**

Después de usar su producto Omega, por favor califíquelo en:

www.OmegaJuicers.com

86 - 87	La seguridad primero. Medidas de seguridad importantes
88 - 89	Conozca su Omega
90 - 91	Ensamblado de inicio rápido
92 - 93	Instrucciones de uso
94 - 95	Sistema de nutrición multipropósito
96 - 97	Esterilización y fácil limpieza
98 - 101	Precauciones de precaución para un uso seguro
102 - 103	Si el anillo sinfin deja de funcionar
104 - 109	Cómo preparar
105	Frutas y vegetales
106	Pasto de trigo y verduras
106	Picar y cortar
107	Mantequillas de nueces
107	Leches de nueces y soya
107	Postres
108	Papillas
108	Molino de café
109	Pasta y palitos de pan
110- 111	Resolución de problemas
112 - 113	Especificaciones del producto
114 - 125	Recetas



**LA SEGURIDAD
PRIMERO**

LA SEGURIDAD PRIMERO

Al usar aparatos eléctricos, siempre deben seguirse ciertas medidas básicas de seguridad, incluyendo las siguientes:

1. LEA TODAS LAS INSTRUCCIONES ANTES DE USAR.
2. Como protección contra descargas eléctricas, no sumerja el cable, el enchufe o el cuerpo principal (motor) en agua u otros líquidos.
3. Se requiere una estricta supervisión cuando cualquier aparato es usado en cercanía de niños.
4. Desconecte del tomacorriente antes de ensamblarlo, antes de retirarle partes, antes de limpiarlo y cuando no esté en uso.
5. Evite el contacto con partes en movimiento.
6. No utilice ningún aparato si el cable o el enchufe están dañados o después de que el aparato ha fallado o ha sido dañado en cualquier forma. Regrese el aparato al fabricante (ver la garantía) para la inspección, reparación o ajuste eléctrico o mecánico.
7. El uso de accesorios no recomendados o no suministrados por el fabricante puede provocar incendio, descarga eléctrica o lesiones.
8. No permita que el cable cuelgue sobre la orilla de una mesa o la cubierta de la cocina o que entre en contacto con superficies calientes.
9. Asegúrese siempre de que el clip de cierre del extractor de jugos esté asegurado cuando el extractor esté funcionando.
10. Para desconectarlo, mueva el interruptor a la posición "off" o "apagado" y después desconéctelo del tomacorriente de la pared. Asegúrese de que el motor se haya detenido completamente antes de desensamblar.
11. No introduzca sus dedos u otros objetos en el extractor mientras está funcionando. Si se atasca algún alimento en la abertura, use el empujador de alimentos u otro trozo de fruta o vegetal para empujarlo. Cuando no pueda hacer esto, apague el motor, desconecte el enchufe del tomacorriente de pared y desmonte el extractor de jugos para retirar el alimento que pudiera haber quedado.
12. No se use en exteriores.
13. No lo coloque sobre o cerca de un quemador de gas o eléctrico caliente ni dentro de un horno caliente.
14. No utilice el aparato para un uso distinto al que fue diseñado.
15. Mantenga el aparato limpio. Consulte las instrucciones de Cuidado y Limpieza en este manual.

CONSERVE ESTAS INSTRUCCIONES





CONOZCA SU OMEGA

CONOZCA SU OMEGA



A Empujador

B Tolva

C Cilindro

D Manija

E Clip de seguridad

F Botón de encendido /
apagado (On/Off) en
la parte posterior

G Carcasa

H CTornillo sinfín
(dentro del cilindro)

I Cono liso (dentro del cilindro)

J Colador para el jugo
(dentro del cilindro)

K Tapa sencilla

L Tapa ajustable

M 3 boquillas para pasta

N 1 boquillas para palitos
de pan

O Cepillo de limpieza

P Contenedor para
la pulpa

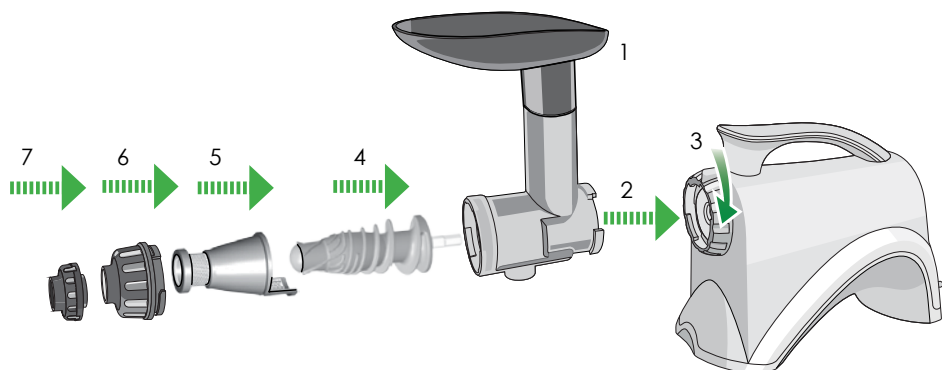
Q Contenedor para
el jugo



ENSAMBLADO DE INICIO RÁPIDO

ENSAMBLADO DE INICIO RÁPIDO

PARA EXTRAER JUGOS



1 Tolva

2 Cilindro

3 Clip de seguridad

4 Tornillo sinfin

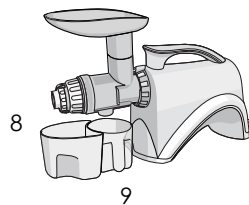
5 Colador para el jugo

6 Tapa sencilla

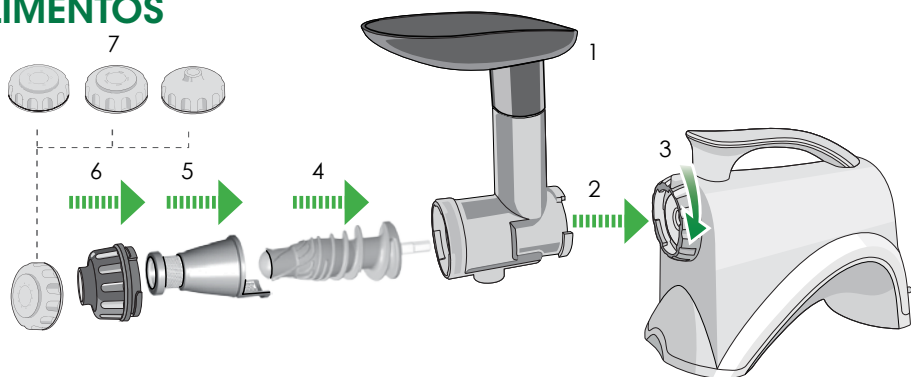
7 Tapa ajustable

8 Contenedor para la pulpa

9 Contenedor para el jugo



PARA PROCESAR ALIMENTOS



1 Tolva

2 Cilindro

3 Clip de seguridad

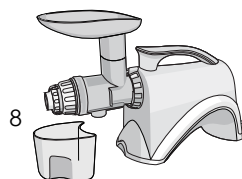
4 Tornillo sinfin

5 Cono liso

6 Tapa sencilla

7 Opciones de boquillas

8 Contenedor para la pulpa

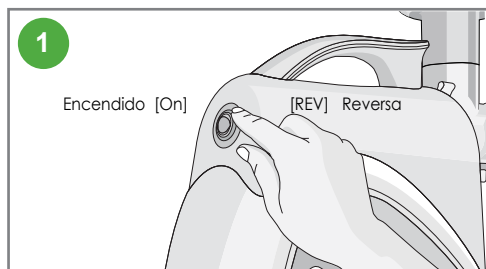




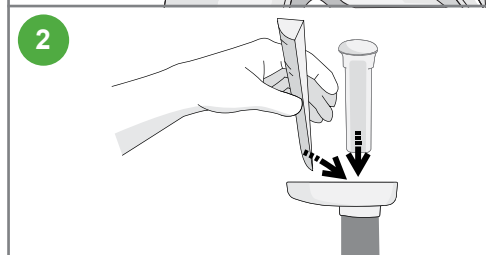
INSTRUCCIONES DE OPERACIÓN

INSTRUCCIONES DE OPERACIÓN

BOTÓN DE ENCENDIDO / APAGADO / REVERSA

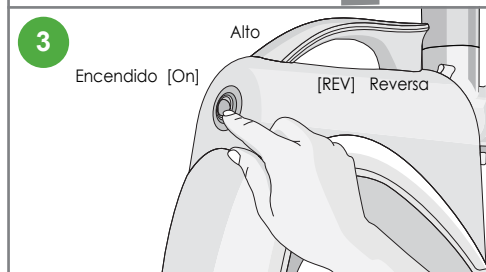


Oprima el botón de encendido (On) en la parte posterior de su sistema de nutrición Omega® para empezar.



Gradualmente, introduzca los alimentos en el tubo de alimentación y presione con el empujador.

No introduzca ningún objeto metálico en la tolva. Si el conjunto del cilindro se atasca o si la máquina deja de funcionar, presione el botón de reversa (REV) 2 o 3 veces y presione el botón de encendido (ON) de nuevo para continuar con la operación normal.



Después de terminar la extracción o el procesado, coloque el interruptor en la posición de alto (stop) para detener.

⚠ CUIDADO Al usar el botón [ON] o [Rev], asegúrese de que el tornillo sinfín se detenga completamente.



Gire la tapa ajustable en sentido de las manecillas del reloj para aumentar la presión durante el proceso de exprimido, y gírela en sentido contrario para reducir la presión. Use la posición de menor presión para frutas cítricas, y la de mayor presión para pasto de trigo. Usar la presión adecuada producirá la mayor cantidad de jugo.

FUNCIÓN DE PROCESAMIENTO DE ALIMENTOS



Use la tapa sencilla para todas las funciones de procesamiento de alimentos, desde picar y cortar hasta pastas y palitos de pan (consulte las páginas 22 - 25).



SISTEMA DE NUTRICIÓN MULTIPROPÓSITO

SISTEMA DE NUTRICIÓN MULTIPROPÓSITO

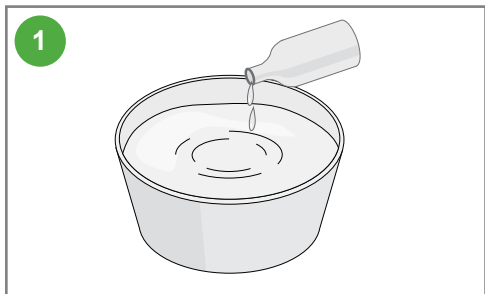
Este sistema de nutrición de uso rudo cuenta con un tornillo sin fin patentado, similar a una piedra de molino, hecho de higiénica Ulfem sin BPA. La baja velocidad de 80 RPM asegura un sabor completo y el mayor valor nutricional.

- **JUGO DE FRUTAS.** De forma eficiente extrae el jugo de frutas duras y suaves, incluso defrutas cítricas.
- **JUGO DE VEGETALES.** Extrae el jugo de todo tipo de vegetales incluyendo zanahorias, betabel, apio, pimientos y rábanos sin destruir el sabor natural ni los beneficios nutricionales. Este proceso de extracción único garantiza el sabor fresco y la nutrición completa.
- **PASTO DE TRIGO Y VERDURAS DE HOJA.** Col rizada, repollo, espinacas y hojas de pino son solo algunos de los productos naturales de donde puede extraerse jugo. Disfrute de lo mejor que la naturaleza ofrece en los productos crudos y extraiga su jugo para obtener beneficios nutricionales completos.
- **PROCESADOR DE ALIMENTOS.** Pica y corta, ofreciendo el sabor natural y la nutrición del ajo, cebollines, pimientos rojos, jengibre y la mayoría de los demás alimentos incluyendo hierbas y especias. Los alimentos suaves para dietas especiales se preparan fácil y rápidamente con el aditamento homogeneizador.
- **MANTEQUILLAS DE NUECES.** Prepare mantequilla de almendras, crema de cacahuete, mantequilla de semillas de girasol y más, usando ingredientes completamente naturales.
- **LECHE DE SOYA Y DE NUECES.** Use almendras, nueces, nueces de la India, avellanas y cualquiera otro de sus nueces favoritas para preparar deliciosas leches. También puede preparar leche de coco.
- **PREPARACIÓN DE POSTRES.** Prepare postres totalmente naturales, libres de lactosa, sin gluten, bajos en grasas, bajos en azúcar y en calorías que saben igual que su helado o postre helado favorito.
- **PAPILLAS.** Prepare papillas caseras sabiendo que le está dando a su bebé frutas y verduras frescas, nutritivas y de fácil digestión.
- **MOLINO.** Muela fácilmente granos de café y harina.
- **EXTRUSOR DE PASTA.** Prepare en casa espagueti, linguini o palitos de pan que pueden ser extrudidos en minutos con las boquillas de pasta incluidas.



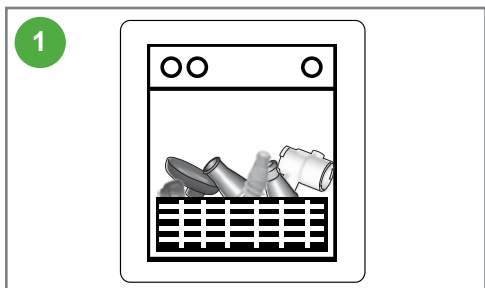
ESTERIZACIÓN Y CONSEJOS DE FÁCIL LIMPIEZA

ESTERIZACIÓN



Puede lavar las partes sumergiéndolas completamente en agua diluida con una o dos gotas de bicarbonato de sodio o líquido para lavar platos durante aproximadamente 30 minutos.

SYSTEMA DE FÁCIL LIMPIEZA



Al terminar de usar su Sistema de Nutrición Omega®, simplemente coloque las partes en la rejilla superior del lavavajillas.



**MEDIDAS DE
PRECAUCIÓN PARA UN
USO SEGURO**

MEDIDAS DE PRECAUCIÓN PARA UN USO SEGURO

Todos los usuarios de este aparato deben leer y entender estas precauciones de seguridad antes de operarlo.

MUESTRAS DE SIGNOS

Este signo indica contenidos que pueden producir riesgo de incendio o de descarga eléctrica.

Una advertencia específica está escrita en el signo.

Esta señal indica actos no permitidos.

Prohibiciones específicas están escritas alrededor o en el signo.

Esta señal indica contenido de acciones de regulación o dirección.

Prohibiciones específicas están escritas alrededor o en el signo.

PRECAUCIONES

ADVERTENCIA Peligros de prácticas inseguras que podrían provocar lesiones personales menores o daños al aparato.



NO CONECTAR O DESCONECTAR CON LAS MANOS MOJADAS.

Puede provocar una descarga eléctrica o una lesión.



NO USAR CON UN VOLTAJE DIFERENTE AL ESPECIFICADO.

Puede provocar una descarga eléctrica, incendio o un desempeño anormal. Si el voltaje es diferente, puede reducir la vida del motor o provocar una falla.



ENCHUFE EL CABLE CORRECTAMENTE Y PRESIÓNVELO FIRMEAMENTE EN EL TOMACORRIENTE DE PARED.

Puede provocar una descarga eléctrica o un incendio.



SI EL CABLE DE ALIMENTACIÓN ESTÁ DAÑADO, DEBE SER REPLAZADO POR EL FABRICANTE, SUS REPRESENTANTES DE SERVICIO O PERSONAS DE IGUAL CALIFICACIÓN PARA EVITAR UN PELIGRO.

Si el cable de alimentación está dañado, puede provocar una descarga eléctrica o un incendio.



NUNCA ALTERE EL APARATO. TAMPOCO LO DESENSAMBLE O LO REPRE POR USTED MISMO. NO INSERTE LOS DEDOS, SUSTANCIAS EXTRAÑAS U OBJETOS COMO PASADORES EN LOS ORIFICIOS DE LA BASE.

Puede provocar un incendio, una descarga eléctrica o una falla. Para cualquier soporte técnico, contacte al Centro local de Atención al Cliente.

MEDIDAS DE PRECAUCIÓN PARA UN USO SEGURO



NO MOJE LA BASE NI SALPIQUE AGUA SOBRE LA BASE.

Tenga cuidado de no permitir que ningún líquido u otra sustancia entre al interruptor del aparato. **NO OPERE EL INTERRUPTOR CON LAS MANOS MOJADAS.** Puede provocar una descarga eléctrica o un incendio.



SI EL ENCHUFE O CABLE DE ALIMENTACIÓN ESTÉ ROTO O DAÑADO O SI EL ENCHUFE SE SUELTA, NO OPERE EL APARATO.

Puede provocar una descarga eléctrica, un incendio o una lesión.



POR SEGURIDAD, DEBE HABER UNA CONEXIÓN A TIERRA. NO HAGA LA CONEXIÓN A TIERRA EN TUBERÍA DE GAS, TUBO PLÁSTICO PARA EL AGUA, CABLE TELEFÓNICO, ETC.

Puede provocar una descarga eléctrica, un incendio, un mal funcionamiento o una explosión. Asegúrese de usar el tomacorriente con conexión a tierra.



NUNCA DESMONTE EL CONJUNTO DEL TAZÓN DURANTE LA OPERACIÓN NI INSERTE LOS DEDOS U OBJETOS EXTRAÑOS COMO TENEDORES, CUCHARAS, ETC. EN EL TUBO DE ALIMENTACIÓN O EN LA SALIDA DEL JUGO.

Puede provocar una lesión, un accidente o una falla.



ESTE APARATO NO DEBE SER USADO POR PERSONAS (INCLUYENDO NIÑOS) CON DISMINUCIÓN DE LA CAPACIDAD FÍSICA, SENSORIAL O MENTAL O SIN LA EXPERIENCIA Y CONOCIMIENTOS ACERCA DE CÓMO UTILIZAR EL APARATO, A MENOS QUE SE LES BRINDE SUPERVISIÓN O INSTRUCCIÓN ACERCA DEL USO DEL APARATO POR PARTE DE UNA PERSONA RESPONSABLE DE SU SEGURIDAD.

Los niños deben ser supervisados para asegurarse de que no jueguen con el aparato.



NO SE OPERE SIN ASEGURAR CORRECTAMENTE LA TOLVA.

Puede provocar una lesión o una falla.



AL DETECTARSE UNA FUGA DE GAS, NO ENCHUFE EL CABLE DE ALIMENTACIÓN EN LA RANURA DEL TOMACORRIENTE. ABRA LA VENTANA PARA VENTILAR TOTALMENTE Y DE FORMA INMEDIATA.

Puede provocar una lesión o una falla.



SI LA ROTACIÓN DEL TORNILLO SE DETIENE DURANTE LA OPERACIÓN NORMAL, PRESIONE EL BOTÓN [REVERSA/REV] Y SOSTÉNGALO DURANTE 2 A 3 SEGUNDOS Y LUEGO, CUANDO LA OPERACIÓN EN REVERSA SE DETENGA POR COMPLETO, PRESIONE EL BOTÓN [ON] DE NUEVO.

Si tal evento de paro continúa durante la operación, las partes pueden estar dañadas y el desempeño puede deteriorarse debido al sobrecalentamiento del motor. Si el problema continúa, detenga de inmediato el aparato y contacte al centro local de Atención al Cliente.



NUNCA INTRODUZCA UN DEDO, UN TENEDOR O UNA CUCHARA, ETC. EN LA SALIDA DEL JUGO.

Puede provocar una lesión o una falla.



DURANTE LA OPERACIÓN, NO INTENTE MOVER LA BASE NI DESMONTAR EL CONJUNTO DEL TAZÓN O PARTES NI TRATE DE ASEGURARLOS.

Puede provocar una lesión o una falla. En cualquier caso necesario, primero apague el interruptor y desconecte el enchufe de alimentación.



AL USAR EL APARATO, TENGA CUIDADO DE QUE CORBATAS, COLLARES LARGOS, BUFANDAS, ETC. NO SE ENREDEN EN EL TUBO DE ALIMENTACIÓN.

Puede provocar una lesión, una falla o una ruptura.



COLOQUE EL APARATO SOBRE UNA SUPERFICIE PLANA Y ESTABLE.

Puede provocar una lesión o una falla.



NO OPERE EL APARATO DURANTE MÁS DE 30 MINUTOS SEGUIDOS.

Puede provocar una falla del motor debido al sobrecalentamiento. Deje enfriar lo suficiente durante 5 minutos y haga funcionar de nuevo.



AL COLOCAR INGREDIENTES DENTRO DEL TUBO DE ALIMENTACIÓN, USE SOLAMENTE EL EMPUJADOR QUE SE INCLUYE.

Puede provocar una lesión o una falla.



NO PERMITA UN GOLPE SEVERO AL APARATO NI LO DEJE CAER.

Puede provocar una descarga eléctrica, un incendio o una lesión.



SI EL APARATO EMITE UN OLOR DESAGRADABLE O CALOR EXCESIVO O HUMO, DEJE DE USARLO INMEDIATAMENTE Y CONTACTE AL CENTRO DE ATENCIÓN

Al usar un aparato nuevo, este emite un olor que desaparece con el tiempo.



SIEMPRE DESCONECTE EL APARATO DESPUÉS DE SU USO. AL DESCONECTAR EL CABLE DE ALIMENTACIÓN, ASEGÚRESE DE SUJETAR EL ENCHUFE.

Si se sujeta el cable para desconectarlo, puede provocar una descarga eléctrica o un incendio.



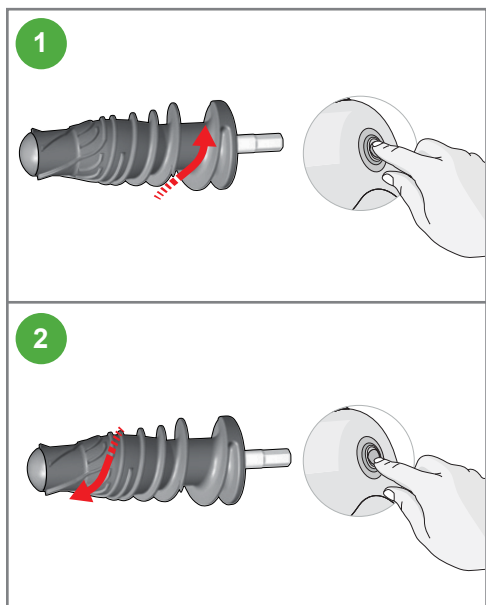
EL APARATO PESA ALREDEDOR DE 13.2 LB (6 KG). AL MOVER EL APARATO, ASEGÚRESE DE HACERLO SUJETANDO FÍRMEMENTE EL FONDO DE LA BASE CON AMBAS MANOS.

Si trata de sostenerlo por el tazón o el borde de la base, la base se puede caer provocando una lesión o una falla.



**SI EL TORNILLO SINFÍN
DEJA DE FUNCIONAR**

SI EL TORNILLO SINFIN DEJA DE FUNCIONAR



Presione el botón de reversa [Rev] durante 3 a 5 segundos, después suelte. Al soltar el botón de reversa [Rev], el tornillo sinfín deja de girar. Repita esta operación 2 a 3 veces.

El botón [Rev] empuja los ingredientes hacia arriba, solucionando el atasco de alimentos.

Presione el botón de encendido [ON] para operar correctamente. Al usar el botón de encendido [ON] o de reversa [Rev] asegúrese de que el anillo sinfín se detenga por completo después de parar o soltar el botón.

Nota:

Si aún después de seguir las instrucciones anteriores, el extractor de jugos no funciona, por favor desconecte el enchufe, desensamble el conjunto de la cámara y límpielo. Después inténtelo de nuevo.



INSTRUCCIONES DE PREPARACIÓN

FRUTAS Y VEGETALES

PASTO DE TRIGO Y VERDURAS

PICAR Y CORTAR

MANTEQUILLAS DE NUECES

LECHE DE SOYA Y DE NUECES

POSTRES

PAPILLAS

MOLER CAFÉ

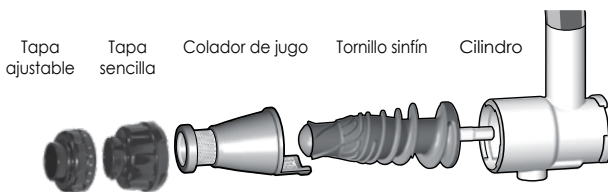
PASTA Y PALITOS DE PAN

INSTRUCCIONES DE PREPARACIÓN

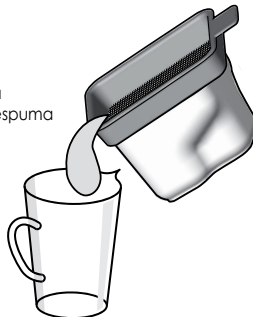
FRUTAS Y VEGETALES

Colador del jugo | **Tapa ajustable** | **No es necesaria ninguna boquilla**

- Colador: Quizá desee usar el colador si ha extraído jugo de artículos que generan más espuma o más pulpa que la deseada. Coloque el colador sobre el contenedor o tazón después de terminar el proceso de extracción y antes de verter el jugo en un vaso.
- Lave completamente los ingredientes frescos para eliminar productos químicos acumulados. El Sistema de Nutrición Omega® puede extraer jugo de frutas y vegetales sin pelar, pero de acuerdo a su gusto, puede preferir frutas y vegetales pelados.
- Las frutas y vegetales suaves pueden procesarse más fácilmente si han estado refrigeradas.
- Corte las frutas y los vegetales en trozos pequeños que quepan en el cilindro.
- Encienda la máquina (ON) y déjela funcionando sin interrupción hasta que todo el jugo hayasido extraído.
- Alterne artículos duros y suaves. Es mejor empezar con aquellos que son más suaves.
- Si la pulpa empieza a atascarse en el cilindro, apague la máquina (OFF) y vacíe el conjunto del cilindro. Ensamble de nuevo y continúe la operación normal.
- Después de colocar el último trozo de fruta o vegetal en el embudo, deje la máquina funcionando unos cuantos segundos hasta que se extraiga la última gota de jugo.
- Después de cada uso, limpie todas las partes que entren en contacto con los alimentos o eljugo.
- Puede extraer jugo de artículos que normalmente no se usan como alimentos, por ejemplo los tallos de las zanahorias o de betabel.



El colador filtra el exceso de espuma o de pulpa.

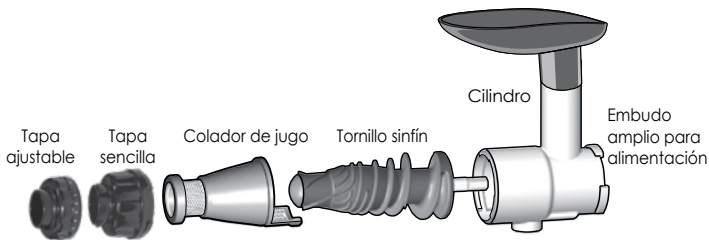


INSTRUCCIONES DE PREPARACIÓN

PASO DE TRIGO Y VERDURAS

Colador del jugo | Tapa ajustable | No es necesaria ninguna boquilla

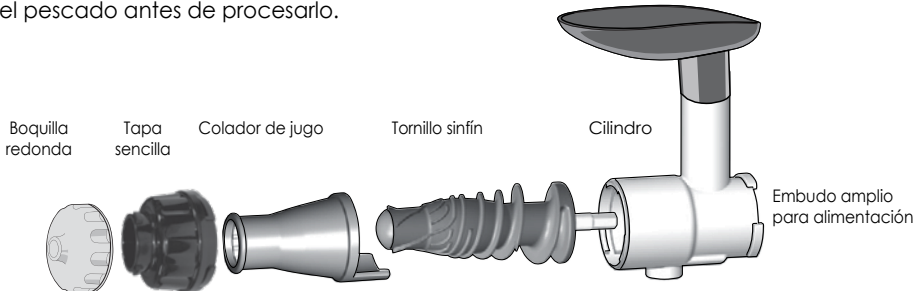
- Colador: Quizá desee usar el colador si ha extraído jugo de artículos que generan más espuma o más pulpa que la deseada. Coloque el colador sobre el contenedor o tazón después de terminar el proceso de extracción y antes de verter el jugo en un vaso. También puede colocar el colador sobre el contenedor de la pulpa y vaciar la pequeña cantidad de jugo en un vaso.
- Lave completamente los ingredientes frescos para eliminar productos químicos acumulados.
- No llene en exceso el tubo alimentador. Llene el extractor con pequeñas cantidades. Permita que la mayor parte del jugo salga antes de introducir el siguiente artículo.
- Algo del jugo puede salir hacia el tazón de la pulpa y no hacia el tazón del jugo. Esta situación es normal. Esto puede continuar ocurriendo hasta que el área de expulsión se llene de pulpa.
- Al extraer jugo de un artículo para incrementar el sabor, introduzca ese artículo durante la primera mitad del proceso de extracción. Si se introduce al final del proceso, es posible que el sabor completo no se perciba.
- Ciertas bebidas verdes pueden ser demasiado fuertes para algunas personas. Limón, manzana, jengibre, zanahorias y/o betabel pueden agregarse como un edulcorante natural para diluir el sabor del pasto de trigo y de las verduras de hoja.



PICAR Y CORTAR

Coln liso | Tapa sencilla | Boquilla redonda / ovalada

- Use como un procesador de alimentos para preparar marinadas, salsas y sopas.
- Pique o triture carne, pescado, hierbas, arroz y frijoles remojados. Retire cualquier grasa de la carne o de las aves si no la desea en el producto final. Quite los huesos y escamas del pescado antes de procesarlo.



MANTEQUILLAS DE NUECES

Coln liso | Tapa sencilla | La boquilla es opcional

- Las mantequillas de nueces constituyen una versión natural de la crema de cacahuete, crema de almendras, mantequilla de semillas de girasol, etc.
- Retire toda la cáscara y piel de las nueces. Encienda la máquina (ON). Empiece a agregar las nueces.
- Procese las nueces en el sistema de nutrición por lo menos dos o tres veces hasta que la textura adquiera una consistencia suave.

LECHE DE SOYA Y DE NUECES

Coln liso | Tapa sencilla | La boquilla es opcional

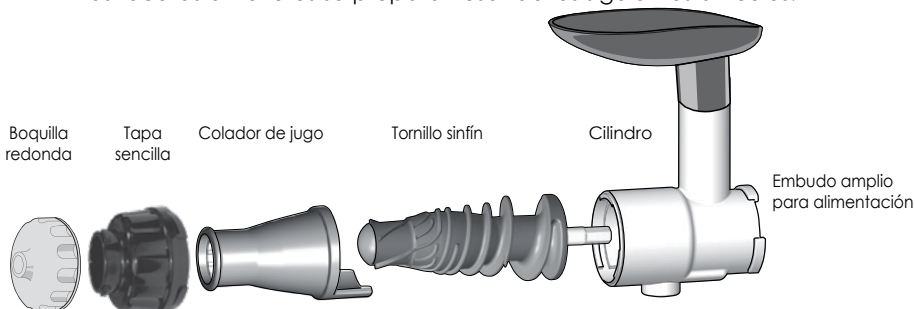
- Las leches de nueces consisten de almendras, nueces, nuez de la India, avellanas, etc. También puede preparar leche de coco y leche de soya.
- Remoje las nueces de 4 a 8 horas en agua.
- Encienda la máquina (ON). Coloque con una cuchara las nueces remojadas (y un poco del agua del remojo) en el tubo de alimentación. Vierta la pulpa en el tubo de alimentación de nuevo con más agua del remojo para una segunda molido, más sabor y una textura

POSTRES

Coln liso | Tapa sencilla | La boquilla es opcional

- Prepare postres dulces, congelados y completamente naturales sin grasa, azúcar ni calorías añadidos.
- Descongele la fruta congelada de 5 a 10 minutos. Encienda la máquina (ON). Procese la fruta descongelada en el sistema de nutrición y sirva.
- Los sorbetes de frutas congeladas incluyen plátano, cerezas, zarzamoras, moras azules, frambuesas, fresas, melón, kiwi, mango, pera, piña, durazno, uvas, naranjas, etc.
- También puede preparar limonada congelada y helados con ingredientes totalmente naturales. Para ver recetas, visite www.OmegaJuicers.com.

Las recetas anteriores se preparan usando los siguientes artículos:



PAPILLAS

Coln liso | Tapa sencilla | No es necesaria ninguna boquilla

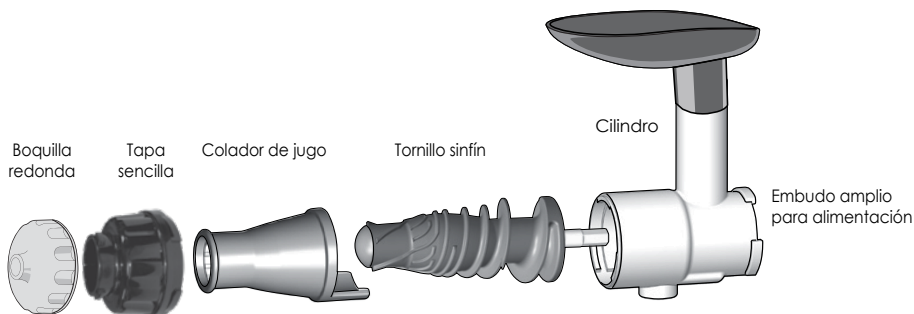
- Preparar papillas caseras para su bebé puede ser muy gratificante al saber que le está dando a su bebé frutas y verduras frescas nutritivas y de fácil digestión. Esto también ofrece a su bebé la oportunidad de experimentar una mayor cantidad de texturas y sabores sin conservadores artificiales ni aditivos.
- Empiece por cocer la fruta o vegetal. Puede hacerlo al vapor, al horno o hirviéndolo. Cocer al vapor mantiene la mayor cantidad de nutrientes.
- Para frutas: manzanas, peras, duraznos, ciruelas, mangos y fresas, haga un puré.
- Para vegetales: papas, zanahorias, camote, brócoli y calabaza, haga un puré.
- Encienda la máquina (ON). Coloque con una cuchara el vegetal / fruta cocido en el tubo alimentador con un poco del líquido de cocción. Agregar el líquido ayuda a conservar los nutrientes que pueden haber sido liberados al agua durante la cocción.

MOLINO DE CAFÉ

Coln liso | Tapa sencilla | No es necesaria ninguna boquilla

- Encienda la máquina (ON). Coloque los granos de café en el tubo alimentador a un ritmo uniforme. Los granos salen finamente molidos. No ponga demasiados granos a la vez. No debe ser necesario moler los granos más de una vez.
- Si los granos de café tienen un alto contenido de aceite, puede secar los granos durante la noche anterior para procesarlos más fácilmente.

Las recetas anteriores se preparan usando los siguientes artículos:



PASTA Y PALITOS DE PAN

Coln liso | Tapa sencilla | Boquilla redonda, plana o para palitos de pan

- Esta máquina extrude la pasta, no hace la pasta. Prepare la masa a mano o utilizando una batidora.
- Espolvoree una pequeña cantidad de harina sobre la pasta, sobre la tolva del sistema de nutrición y dentro del cilindro para evitar que se pegue.
- Agregue agua a la masa si se pone demasiado seca.
- Para extrudir pasta:
Decida el estilo de pasta de su preferencia y coloque la boquilla adecuada en el cilindro

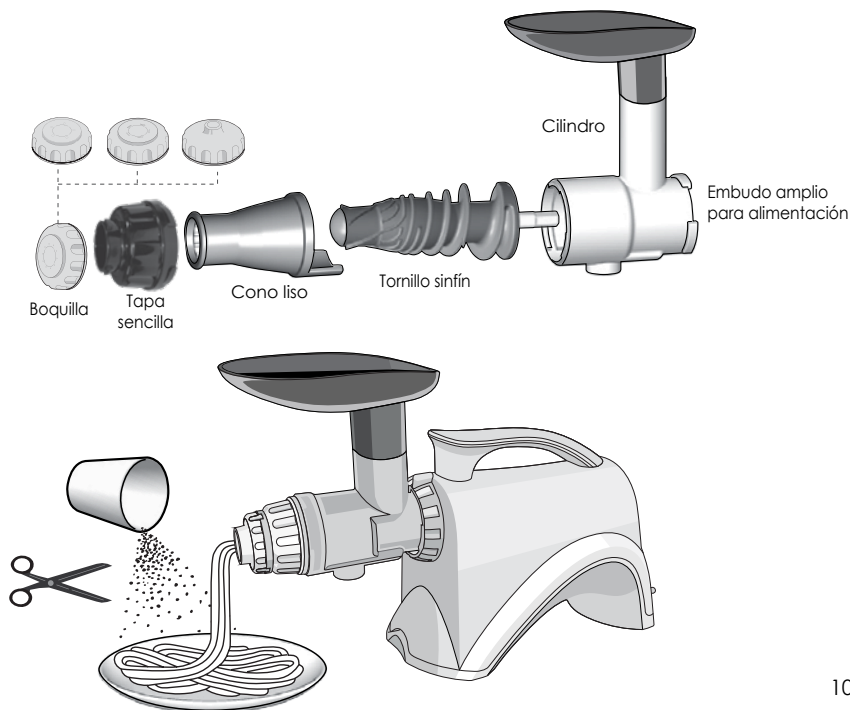
Forme la masa de la pasta en bolas o en tubos ligeramente menores que la abertura del tambor del sistema de nutrición

Encienda la máquina (ON). Procese la masa en el sistema de nutrición. Una alimentación constante de masa sin interrupción producirá tiras de pasta más largas a medida que la pasta va saliendo. La pasta puede cortarse con tijeras o con un cuchillo a la extensión deseada.

La pasta recién hecha debe ponerse en agua hirviendo. La pasta fresca se cocinará más rápidamente que la pasta de paquete.

Si desea que la pasta tenga mayor sabor, agregue espinacas, albahaca o tomates deshidratados. Los sobrantes de jugo de vegetales también pueden mezclarse en la masa para un mayor sabor.

Su opción de boquilla determinará el tamaño y la forma de la pasta.





RESOLUCIÓN DE PROBLEMAS

RESOLUCIÓN DE PROBLEMAS

Por favor resuelva los problemas usando las siguientes indicaciones antes de contactar a Servicio al Cliente de Omega para reparación o servicio. Al contactar a Omega para servicio post-venta, por favor tenga a la mano el número de serie del fabricante o el código de barras.

El aparato no funciona

- Asegúrese de que el cable de alimentación esté enchufado correctamente.
- Asegúrese de que la tolva esté ensamblada de forma correcta. Si la tolva no está asegurada en su lugar, el aparato no funcionará.
- Asegúrese de que el aparato esté ensamblado de acuerdo con las instrucciones de este manual. Consulte las instrucciones.
- Si el aparato aún no funciona, por favor contacte al Servicio al Cliente de Omega para ayuda adicional.

La tolva no se abre

- Si hay mucha pulpa dentro de la cámara, presione el botón [On] para liberar el exceso de pulpa.
- Verifique la presencia de cualquier sustancia extraña u objeto sólido, incluyendo semillas.
- Presione el botón [Rev] para empujar hacia arriba los ingredientes.
- No intente abrir a la fuerza. Si el aparato aún no funciona, por favor contacte al Servicio al Cliente de Omega para ayuda adicional.

El aparato se detiene durante la operación normal

- Verifique si hay trozos grandes de alimentos atascados en el aparato.
- Consulte en el manual la sección "Cuando el tornillo sinfín deja de funcionar" y siga las instrucciones respecto al botón [Rev].
- Si el aparato aún no funciona, por favor contacte al Servicio al Cliente de Omega para ayuda adicional.

Hay líneas finas o marcas de raspones alrededor del tornillo sinfín

- Esta situación es normal. No se preocupe. Estas son marcas del molde producidas por el proceso normal de fabricación.

El jugo se tira sobre la base

- Verifique si hay una cantidad excesiva de ingredientes en el tubo de alimentación de la tolva.
- Si intenta extraer jugo de una cantidad grande de alimento comparado con la salida de la pulpa, el empaque podría ser empujado hacia afuera ligeramente. El jugo podría tirarse fuera de esta apertura.
- No fuerce demasiada comida en el extractor. Empuje los alimentos de forma gradual para la extracción.
- Verifique y asegúrese de que la tapa del jugo esté cerrada.

El extractor se agita al estar en operación

- Esto es normal, a medida que el tornillo sinfín gira. No se trata de ningún malfuncionamiento. Los ingredientes duros como las zanahorias, papas, rábanos, betabel, etc. pueden provocar un movimiento mayor que los ingredientes suaves.
- Dependiendo de la firmeza de los ingredientes, podría haber un agitación más pronunciado del motor.
- El movimiento ligero puede ser provocado por el motor.

CONTÁCTENOS:

Servicio al Cliente: 1-800-633-3401

En línea: www.OmegaJuicers.com/contact-omega-juicers



ESPECIFICACIONES DEL PRODUCTO

ESPECIFICACIONES DEL PRODUCTO

Nombre del producto	Sistema de Nutrición Omega®
Modelo	NC800HDS/NC900HDC/NC900HDR
Voltaje nominal	120 V
Frecuencia nominal	60 Hz
Consumo de energía nominal	150 W
RPM	80 RPM
Extensión del cordón	64 pulgadas (1625.6 mm)
Peso del envío	20 lb (9 kg)
Medidas exteriores	Ancho 6.5" (165 mm) Largo 14.5" (368 mm) Alto 15.5" (394 mm)
Tiempo de funcionamiento nominal	Menos de 30 minutos
También disponibles NC802HDR, NC802HDS y NC902HDC	220-240 V / 50-60 Hz





RECETAS

Leche de almendras

Ingredientes:

2 tazas de almendras sin sal
6 tazas de agua destilada

PREP 12 horas PROCESO 4 minutos

Instrucciones de preparación:

- 1 Ponga las almendras en remojo la noche anterior en 3 tazas de agua.
- 2 Ponga las almendras en 3 tazas de agua fresca.
- 3 Usando el sistema de nutrición Omega®, coloque con una cuchara las almendras y el agua en el extractor. Si prefiere la leche más ligera, agregue más agua.
- 4 Puede endulzar la leche agregando 1 cda. de miel, néctar de agave, jarabe de caña o de maple. Puede preparar leche de almendra con vainilla agregando una cda. de extracto de vainilla o también prepare leche de almendra con chocolate agregando una cda. de cocoa en polvo sin endulzar.

Leche de soya

Ingredientes:

1 taza de granos de soya orgánica
6 tazas de agua
una pizca de sal
½ cda. de extracto de vainilla
1 cda. de agave u otro edulcorante
1 cda. canela

PREP 10 minutos PROCESO 35 minutos

Instrucciones de preparación:

- 1 Ponga la soya en remojo la noche anterior en 3 tazas de agua. Drene.
- 2 Ponga la soya en 3 tazas de agua fresca. Usando el sistema de nutrición Omega®, coloque con una cuchara la soya y el agua en el extractor. Si prefiere la leche más ligera, agregue más agua.
- 3 Transfiera la leche a una olla en la estufa. Ponga la leche a hervir. Reduzca el fuego y deje hervir a fuego lento durante 25 minutos. Elimine la espuma o capas gruesas que puedan formarse.
- 4 Retire del fuego y agregue sabor con la sal, extracto de vainilla, agave y canela. Mezcle y disfrute.

Crema de Cacahuete

Ingredientes:

2 tazas de cacahuates tostados sin cáscara y sin piel
 1 cda. de aceite de semilla de uva
 2 cdta. de néctar de coco
 1 cdta. de sal nat

PREP 5 minutos PROCESO 10 minutos

Instrucciones de preparación:

- 1 En el sistema de nutrición Omega®, reemplace el cono para jugo por el cono liso y coloque su boquilla favorita.
- 2 Empiece a verter cacahuates por el tubo de alimentación. Procese 2 a 3 veces hasta que empiece a aparecer aceite.
- 3 Transfiera a un tazón y combine todos los ingredientes a mano, con una cuchara.
- 4 Vierta la mezcla de nuevo en el sistema de nutrición Omega®.

Masa Para Galletas Con Crema de Nueces

Ingredientes:

2 tazas de nueces de la India secas
 6 cda. de néctar de coco
 1 cda. de aceite de coco
 2 cdta. de vainilla en polvo
 1/2 cdta. de sal natural

PREP 5 minutos PROCESO 8 minutos

Instrucciones de preparación:

- 1 En el sistema de nutrición Omega®, reemplace el cono para jugo por el cono liso y coloque su boquilla favorita.
- 2 Empiece a verter nueces por el tubo de alimentación. Procese 2 a 3 veces hasta que empiece a aparecer aceite.
- 3 Transfiera a un tazón y combine todos los ingredientes a mano, con una cuchara. Vierta la mezcla de nuevo en el sistema de nutrición Omega®.

Pasta Casera

Ingredientes:

1 taza de harina
1 huevo batido
2 cda. de agua
½ cda. de sal

PREP 5 minutos PROCESO 5 minutos

Instrucciones de preparación:

- 1 En un tazón grande, combine el harina y la sal.
- 2 Haga un pozo en el centro de la mezcla de harina y sal, y agregue el huevo. Si la masa es demasiado rígida, agregue agua.
- 3 En el sistema de nutrición Omega®, remplace el cono para jugo por el cono liso y coloque su boquilla de pasta favorita.
- 4 Pase la masa por el tubo de alimentación y corte las tiras de pasta a la longitud deseada.

Pasta Sin Huevo

Ingredientes:

2 tazas de harina de semolina ½ cda. de sal
½ taza de agua tibia

PREP 5 minutos PROCESO 5 minutos

Instrucciones de preparación:

- 1 En un tazón grande, combine la harina y la sal. Agregue el agua (y un poco más si está demasiado seca).
- 2 En el sistema de nutrición Omega®, remplace el cono para jugo por el cono liso y coloque su boquilla de pasta favorita.
- 3 Pase la masa por el tubo de alimentación y corte las tiras de pasta a la longitud deseada.

Palitos de Pan

Ingredientes:

2 $\frac{1}{4}$ paquete de levadura seca activa
 1 $\frac{1}{2}$ taza de agua tibia
 $\frac{1}{2}$ taza de leche tibia
 2 cda. de azúcar
 3 cda. de mantequilla,
 dividida y derretida
 $\frac{1}{2}$ cda. de sal kosher
 $\frac{1}{2}$ cda. de ajo molido
 $\frac{3}{4}$ cda. de sazónador italiano seco
 4 $\frac{1}{2}$ - 5 $\frac{1}{2}$ tazas de harina
 $\frac{1}{4}$ taza de queso parmesano rallado

PREP 15 minutos PROCESO 5 minutos

Instrucciones de preparación:

- 1 En un tazón grande, combine la levadura con el agua y déjela reposar hasta que se formen burbujas (de 7 a 10 minutos).
- 2 Agregue la leche, azúcar, mantequilla, sal kosher y 2 tazas de harina. Bata hasta que suavice. Agregue el queso parmesano y el resto de la harina hasta formar una masa suave.
- 3 En el sistema de nutrición Omega®, remplace el cono para jugo por el cono liso y coloque su boquilla de palitos de pan favorita. Pase la masa por el tubo de alimentación, procesando la masa de 7 a 8 veces.
- 4 Divida la masa en porciones iguales.

Salsa en un Vaso

Ingredientes:

2 tomates
 $\frac{1}{4}$ cebolla
 $\frac{1}{2}$ limón
 1 chile jalapeño
 5 ramitas de cilantro fresco

PREP 5 minutos JUGO 5 minutos

Instrucciones de preparación:

- 1 Lave bien todos los ingredientes.
- 2 Pele el limón (opcional).
- 3 Coloque todos los ingredientes en su sistema de nutrición Omega® y extraiga el jugo.
- 4 Sirva y disfrute.

Papilla - Manzana

Ingredientes:

3 manzanas rojas medianas

PREP 15 minutos PROCESO 6 minutos

Instrucciones de preparación:

- 1 Cueza a vapor las 3 manzanas rojas, peladas y sin semillas.
- 2 En el sistema de nutrición Omega®, remplace el cono para jugo por el cono liso y coloque su boquilla favorita.
- 3 Procese en el sistema de nutrición Omega®. Agregue una pizca de canela.

Rinde 1 taza.

Papilla - Camote

Ingredientes:

2 camotes

PREP 30 minutos PROCESO 5 minutos

Instrucciones de preparación:

- 1 Cocine a vapor los camotes durante 20 a 25 minutos.
- 2 Procese en el sistema de nutrición Omega®.
- 3 1 camote grande rinde alrededor de 1 taza.

Papilla - Zanahori

Ingredientes:

3 zanahorias grandes

PREP 30 minutos

PROCESO 5 minutos

Instrucciones de preparación:

- 1 Cueza las zanahorias a vapor.
- 2 En el sistema de nutrición Omega®, remplace el cono para jugo por el cono liso y coloque su boquilla favorita.
- 3 Procese en el sistema de nutrición Omega®.

Tres zanahorias grandes rinden alrededor de 1 taza.

Papilla - Chícharos

Ingredientes:

chícharos

PREP 3 minutos

PROCESO 6 minutos

Instrucciones de preparación:

- 1 Retire los chícharos de la vaina para preparar. No es necesario cocerlos a vapor, a menos que lo prefiera.
- 2 En el sistema de nutrición Omega®, remplace el cono para jugo por el cono liso y coloque su boquilla favorita.
- 3 Procese en el sistema de nutrición Omega®. Es mejor para niños de 1 a 2 años de edad (los niños menores tienen problemas para digerirlos).

Impulso Limpio

Ingredientes:

½ betabel
 5 hojas de espinaca
 ¼ repollo
 1 ramo de brócoli
 ½ toronja
 ½ limón
 1 naranja
 1 kiwi
 2 trozos pequeños de jengibre

PREP 2 minutos JUGO 4 minutos

Instrucciones de preparación:

- 1 Corte todos los ingredientes a un tamaño que quepan en la tolva.
- 2 Extraiga el jugo en el sistema de nutrición Omega®.
- 3 Sirva sobre hielo.
- 4 ¡Disfrute!

Sueño Australiano

Ingredientes:

2 betabeles
 (remolacha australiana)
 2 zanahorias orgánicas
 1 taza de fresas orgánicas
 2 tazas de hojas de col rizada
 (6 a 8 hojas)
 (repollo rizado australiano)

PREP 3 minutos JUGO 6 minutos

Instrucciones de preparación:

- 1 Lave bien todos los ingredientes.
- 2 Corte a un tamaño adecuado para el extractor.
- 3 Extraiga el jugo en el sistema de nutrición O Omega®.
- 4 Sirva sobre hielo y disfrute.

Gloria Cítrica de la Mañana

Ingredientes:

2 toronjas (sin cáscara)
1 pimiento rojo dulce
2 peras
6 zanahorias

PREP 5 minutos JUGO 5 minutos

Instrucciones de preparación:

- 1 Lave bien todos los ingredientes.
- 2 Extraiga el jugo en un sistema de nutrición Omega® ¡y disfrute!

Tamaño de la porción: 16 - 18 oz.

Lleno de vitamina C y betacarotenos, así como vitaminas A y K e incluso cobre.

Jugo de Manzana y Kiwi

Ingredientes:

2 manzanas
3 kiwis

PREP 5 minutos JUGO 5 minutos

Instrucciones de preparación:

- 1 Lave las manzanas, quite el centro y corte en cuartos.
- 2 Pele los kiwis y corte en trozos pequeños.
- 3 Extraiga el jugo de los ingredientes en su sistema de nutrición Omega®.
- 4 Agite antes de servir.

Impulso Saludable Total

Ingredientes:

1 manzana mediana, sin el centro y cortada en cubos
2 peras suaves medianas, sin el centro y cortada en cubos
½ taza de cerezas frescas (sin huesos, y en caso de usar cerezas congeladas, deje descongelar)

PREP 5 minutos JUGO 5 minutos

Instrucciones de preparación:

- 1 En el sistema de nutrición Omega®, extraiga el jugo de la manzana, las peras y las cerezas.
- 2 Antes de servir, adorne con una cereza fresca, si desea.

Poder Verde

Ingredientes:

1 pepino 1
2 hojas verdes de berza
1 manojo de flores de coliflor
½ limón amarillo (sin la cáscara)

PREP 5 minutos JUGO 5 minutos

Instrucciones de preparación:

- 1 Lave todos los ingredientes.
- 2 Coloque todos los ingredientes en su sistema de nutrición Omega® y extraiga el jugo.
- 3 Sirva en su vaso y ¡disfrute!

Mañana Tropical

Ingredientes:

1 taza de duraznos picados
 1 taza de mango picado sin cáscara
 1 naranja recién exprimida
 ½ taza de agua de coco
 1 cucharada de néctar de agave

PREP 5 minutos JUGO 5 minutos

Instrucciones de preparación:

- 1 En el sistema de nutrición Omega®, extraiga el jugo de todos sus ingredientes hasta que quede suave y pase a través de un colador si lo desea.
- 2 Sirva frío y adorne con una rebanada de durazno.

Island Dreaming' Sorbete

Ingredientes:

½ taza de piña congelada en trozos
 ½ taza de plátano congelado
 1 taza de fresas congeladas
 ½ taza de mango congelado en trozos
 2 cda. de coco rallado

PREP 5 minutos PROCESO 5 minutos

Instrucciones de preparación:

- 1 Mezcle todos los ingredientes en un tazón. Descongele ligeramente antes de procesar en el sistema de nutrición Omega®.
- 2 Reemplace el cono para jugo por el cono liso y coloque su boquilla favorita.
- 3 Empiece a verter y empujar los ingredientes a través del tubo de alimentación. Sirva.

Limonada Congelada Sorbete

Ingredientes:

6 cda. de jugo de limón
3 cda. de miel natural
1 taza de agua

PREP 6 horas

PROCESO 5 minutos

Instrucciones de preparación:

- 1 Caliente el jugo de limón durante 10 a 20 segundos en un horno de microondas. Agite. Agregue agua y agite.
- 2 Congele la mezcla en charolas para cubos de hielo o molde de paleta.
- 3 En el sistema de nutrición Omega®, remplace el cono para jugo por el cono liso y coloque su boquilla favorita.
- 4 Descongele ligeramente los cubos de limón y páselos a través del tubo de alimentación del sistema de nutrición Omega®. Sirva.

Naranjada de Ensueño Sorbete

Ingredientes:

4 naranjas / mandarinas congeladas
sin cáscara
1 taza de yogurt de vainilla

PREP 5 minutos

PROCESO 5 minutos

Instrucciones de preparación:

- 1 Congele el yogurt y los gajos de la naranja pelada.
- 2 Descongele ligeramente antes de procesar en sistema de nutrición Omega®.
- 3 Remplace el cono para jugo por el cono liso y coloque su boquilla favorita.
- 4 Empiece a verter y empujar los ingredientes a través del tubo de alimentación, alternando el yogurt y los gajos de naranja. Sirva.



NOURISH YOUR BODY
Enrich Your Soul

NOURRISSEZ VOTRE CORPS
Enrichissez Votreâme

NUTRA SU CUERPO
Enriquezca su alma

Discover the complete line of Omega brand professional products at:
Découvrez la gamme complète des produits professionnels de la marque Omega à:
Descubra la línea completa de productos profesionales de la marca Omega en:

www.OmegaJuicers.com