

Mount Kit Isuzu NPR/HD/XD 2008 - ___ / GM W-Series 2008 - 10

Isuzu NRR/NQR 2008 - ___ (16,000 GVWR max.†)

GM LCF 3500/3500 HD/4500/4500 HD

GM LCF 4500 XD/5500 HD/5500 XD 2016 - ___ (16,000 GVWR max.†)

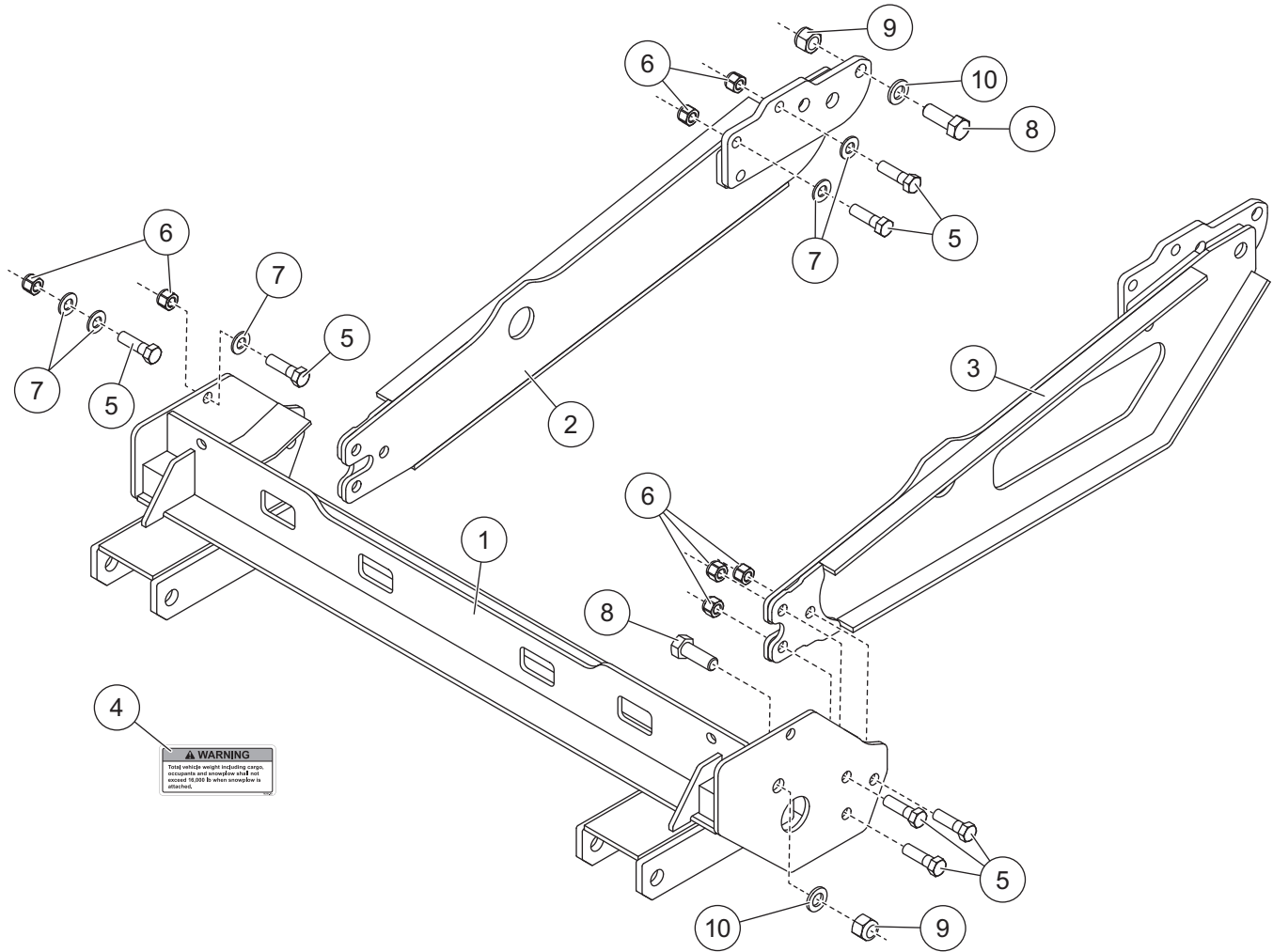
33212-2

† When snowplow is attached.

April 1, 2017

Lit. No. 76554, Rev. 01

PARTS LIST



33212-2 Mount Kit							
Item	Part	Qty	Description	Item	Part	Qty	Description
1	41649	1	Front Mount	4	76281	1	Label, Max. Weight Warning
2	41726	1	Thrust Arm – PS	ns	41729	1	Bolt Bag
3	41727-1	1	Thrust Arm – DS				
41729 Bolt Bag							
5		14	1/2-13 x 1-3/4 Hex Cap Screw G8	8		4	5/8-11 x 1-3/4 Hex Cap Screw G5
6		14	1/2-13 Hex Locknut GB	9		4	5/8-11 Hex Locknut GB
7		12	1/2 Hardened Flat Washer	10		4	5/8 Hardened Flat Washer
ns = not shown				G = Grade			

Copyright © 2017 Douglas Dynamics, LLC. All rights reserved. This material may not be reproduced or copied, in whole or in part, in any printed, mechanical, electronic, film or other distribution and storage media, without the written consent of the company. Authorization to photocopy items for internal or personal use by the company's outlets or snowplow owner is granted.

The company reserves the right under its product improvement policy to change construction or design details and furnish equipment when so altered without reference to illustrations or specifications used. This equipment manufacturer or the vehicle manufacturer may require or recommend optional equipment for snow removal. Do not exceed vehicle ratings with a snowplow. The company offers a limited warranty for all snowplows and accessories. See separately printed page for this important information.

Printed in U.S.A.
