

# 1523

## MOUNT KIT PERSONAL PLOW

<b>Chevrolet Tahoe 1500</b>	<b>2000 - 06</b>
<b>Chevrolet Silverado 1500</b>	<b>1999 - 06</b>
<b>GMC Yukon 1500</b>	<b>2000 - 06</b>
<b>GMC Sierra 1500</b>	<b>1999 - 06</b>
<b>Sierra/Silverado Classic</b>	<b>2007</b>

### Installation Instructions

**⚠ CAUTION**

Read this document before installing the snowplow.

**⚠ CAUTION**

See your sales outlet/Web site for specific vehicle application recommendations before installation. The Kit Selection Guide/Selection List has specific vehicle and snowplow requirements.

**SAFETY DEFINITIONS**

**⚠ WARNING**  
 Indicates a potentially hazardous situation that, if not avoided, could result in death or serious personal injury.

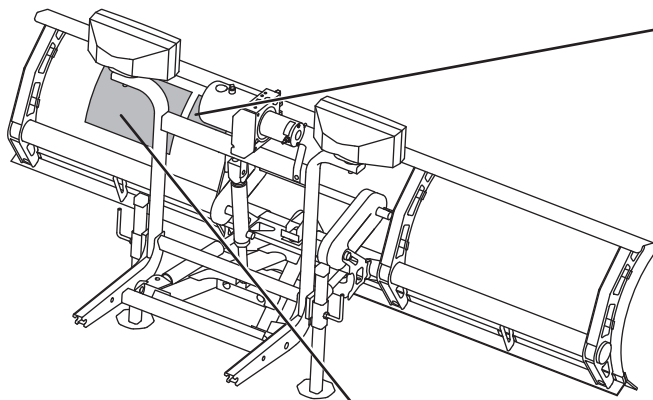
**⚠ CAUTION**  
 Indicates a potentially hazardous situation that, if not avoided, may result in minor or moderate injury. It may also be used to alert against unsafe practices.

**NOTE:** Indicates a situation or action that can lead to damage to your snowplow and vehicle or other property. Other useful information can also be described.

**WARNING/CAUTION & INSTRUCTION LABELS**

Become familiar with and inform users about the warning/caution labels on the back of the blade and the instruction label on the headgear.

**NOTE:** If labels are missing or cannot be read, see your sales outlet.



**⚠ WARNING**  
 LOWER BLADE WHEN VEHICLE IS PARKED.  
 DO NOT EXCEED GVWR OR GAWR INCLUDING BLADE AND BALLAST.  
 REMOVE BLADE ASSEMBLY BEFORE PLACING VEHICLE ON HOIST.

**⚠ CAUTION**  
 READ *OWNER'S MANUAL* BEFORE OPERATING OR SERVICING SNOWPLOW.  
 TRANSPORT SPEED SHOULD NOT EXCEED 45 MPH. FURTHER REDUCE SPEED UNDER ADVERSE TRAVEL CONDITIONS.  
 PLOWING SPEED SHOULD NOT EXCEED 10 MPH.  
 SEE YOUR SALES OUTLET/WEB SITE FOR SPECIFIC VEHICLE APPLICATION RECOMMENDATIONS.

***This snowplow is for personal/homeowner use only.***

**ATTACH INSTRUCTIONS**

1. Make certain both **connecting pins** are fully retracted.
2. Drive vehicle slowly to completely insert **attachment arms** into **receiver assembly** slots.
3. Twist both **connecting pins** to release spring tension, then push **plow gear** toward vehicle so **connecting pins** fully engage holes in **attachment arms**.
4. Loosen one **jack handle** and slide **jack sleeve** down below **jack retainer**. Remove **jack** and retighten **jack handle**. Repeat for other **jack** and store them.
5. Connect all electrical cables from vehicle to snowplow.

U.S. Patents 4,999,935; 5,420,480; 6,253,470; 6,941,685; RE 35,700; CAN Patent 2,060,425; and other patents pending. 27155

**DETACH INSTRUCTIONS**

5. Back vehicle away from snowplow.
6. See Owner's Manual for proper snowplow storage.

3. While pushing **plow gear** toward vehicle to release **connecting pin** tension, pull **connecting pin** out on one side and twist pin handle to keep pin retracted. Repeat procedure for other **connecting pin**.
4. Disconnect all electrical cables.
1. Put blade on ground using **LOWER/FLOAT** on snowplow control. Leave control **ON** and in **FLOAT**.
2. Attach **jacks**. Loosen **jack handle**, put **jack** on ground, and raise **jack sleeve** until fully engaging **jack retainer**. Tighten **jack handle**. Repeat for other **jack**.

**Read Owner's Manual for Complete Instructions**

## SAFETY PRECAUTIONS

Improper installation and operation could cause personal injury and/or equipment and property damage. Read and understand labels and the Owner's Manual before installing, operating or making adjustments.

### **⚠ WARNING**

**Lower blade when vehicle is parked. Temperature changes could change hydraulic pressure, causing the blade to drop unexpectedly or damaging hydraulic components. Failure to do this could result in serious personal injury.**

### **⚠ WARNING**

**The driver shall keep bystanders clear of the blade when it is being raised, lowered or angled. Do not stand between the vehicle and the blade or within 8 feet of a moving blade. A moving or falling blade could cause personal injury.**

### **⚠ WARNING**

**Keep hands and feet clear of the blade and A-frame when mounting or removing the snowplow. Moving or falling assemblies could cause personal injury.**

### **⚠ WARNING**

**Do not exceed GVWR or GAWR including the blade and ballast. The rating label is found on the driver-side vehicle door cornerpost.**

### **⚠ WARNING**

**To prevent accidental movement of the blade, always turn the ON/OFF switch to OFF whenever the snowplow is not in use. The control indicator light will turn off.**

### **⚠ WARNING**

**Remove blade assembly before placing vehicle on hoist.**

### **⚠ CAUTION**

**Refer to the Kit Selection Guide/Selection List for minimum vehicle recommendations and ballast requirements.**

## PERSONAL SAFETY

- Remove ignition key and put the vehicle in park or in gear to prevent others from starting the vehicle during installation or service.
- Wear only snug-fitting clothing while working on your vehicle or snowplow.
- Do not wear jewelry or a necktie, and secure long hair.
- Wear safety goggles to protect your eyes from battery acid, gasoline, dirt and dust.
- Avoid touching hot surfaces such as the engine, radiator, hoses and exhaust pipes.
- Always have a fire extinguisher rated BC handy, for flammable liquids and electrical fires.

## FIRE AND EXPLOSION

### **⚠ WARNING**

**Gasoline is highly flammable and gasoline vapor is explosive. Never smoke while working on vehicle. Keep all open flames away from gasoline tank and lines. Wipe up any spilled gasoline immediately.**

Be careful when using gasoline. Do not use gasoline to clean parts. Store only in approved containers away from sources of heat or flame.

## CELL PHONES

A driver's first responsibility is the safe operation of the vehicle. The most important thing you can do to prevent a crash is to avoid distractions and pay attention to the road. Wait until it is safe to operate Mobile Communication Equipment such as cell phones or two-way radios.

## VENTILATION




### **⚠ WARNING**

**Vehicle exhaust contains lethal fumes. Breathing these fumes, even in low concentrations, can cause death. Never operate a vehicle in an enclosed area without venting exhaust to the outside.**

**TORQUE CHART**

**⚠ CAUTION**

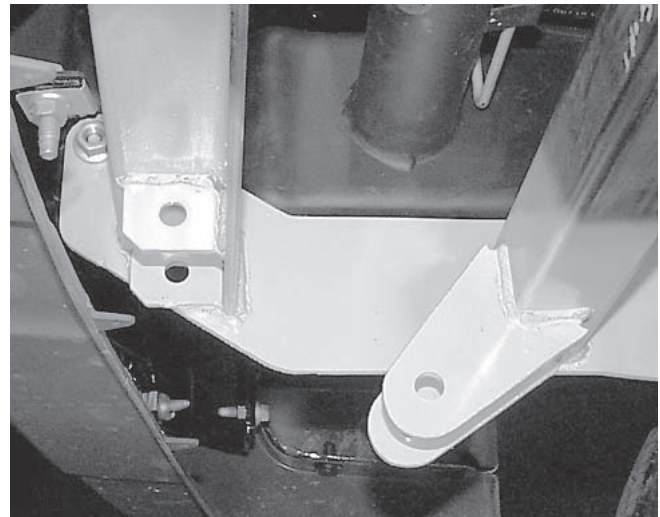
Read instructions before assembling. Fasteners should be finger tight until instructed to tighten according to the torque chart. Use standard methods and practices when attaching snowplow including proper personal protective safety equipment.

Recommended Fastener Torque Chart (ft-lb)			
Size	 SAE Grade 2	 SAE Grade 5	 SAE Grade 8
1/4-20	6	9	13
5/16-18	11	18	28
3/8-16	19	31	46
3/8-24	24	46	68
7/16-14	30	50	75
1/2-13	45	75	115
9/16-12	66	110	165
5/8-11	93	150	225
3/4-10	150	250	370
7/8-9	150	378	591
1-8	220	583	893
Metric Grade 8.8 (ft-lb)			
Size	Torque	Size	Torque
M 6	7	M 12	60
M 8	17	M 14	95
M 10	35	M 16	155
These torque values apply to fasteners except those noted in the instruction.			

**INSTALLATION INSTRUCTIONS**

**NOTE:** For easier assembly and installation, vehicle and all snowplow components should be on a smooth, level, hard surface, such as concrete.

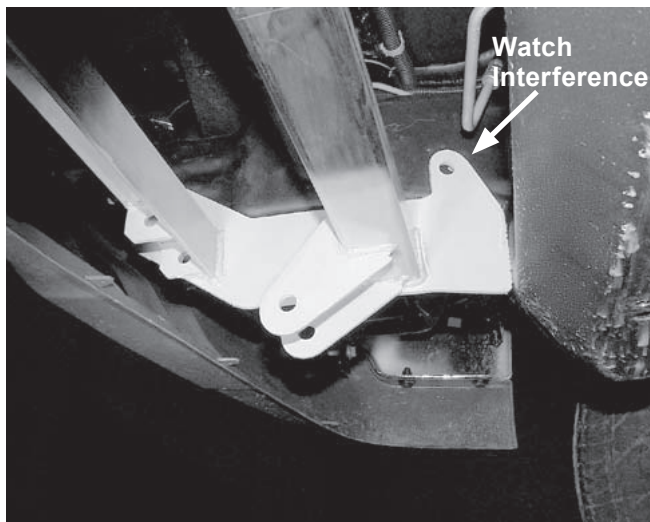
1. Remove the grille by gently pulling until the clips release.
2. Remove the front bumper and retain the fasteners.
3. Remove the tow hooks and retain the fasteners.
4. Remove the plastic splash guard and retain the fasteners.
5. Align the front holes of the mount with the tow hook holes in the side of the frame. Reuse the tow hook fasteners to hold the mount in place as shown. Do not install the tow hooks at this time.
6. Push the mount back until it is in contact with the frame cross-member and hold it tight to the bottom of the frame using a floor jack.



**⚠ CAUTION**

Use caution not to pinch, cut or drill through any wires or hoses running along the frame rails.

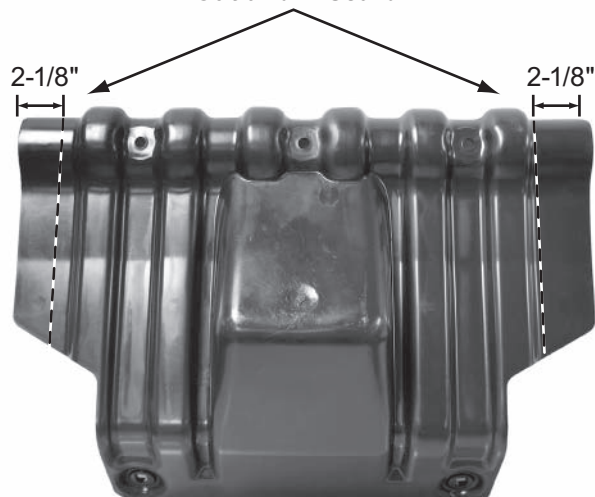
7. Using the rear holes in the mount as guides, drill two  $17/32$ " holes through the truck frame. Be careful drilling around the power steering lines located on the passenger's side of the vehicle.



8. Place a  $1/2$ " washer onto a  $1/2$ " cap screw with handle, and insert the cap screw into the truck frame. Pass the cap screw out through the hole in the truck frame and the hole in the rear tab of the mount. Place a  $1/2$ " locknut on the cap screw and tighten.
9. Bend or cut the ends of the cap screw handles protruding out of the truck frame so as to be able to reinstall the tow hooks.
10. Remove the front tow hook fasteners and reinstall with the tow hooks in place.
11. Place an M12 lock washer and a  $1/2$ " flat washer onto the M12 x 40 cap screw supplied with the mount, and install through the bottom tab of the mount and frame and into the tow hook. Tighten all the fasteners.

12. Cut the plastic splash shield as shown below.

**Cut and Discard**

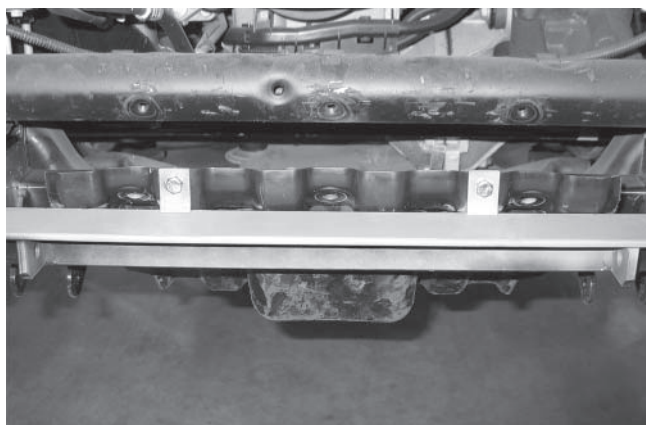


13. Reinstall rear of splash shield to vehicle cross member using original fasteners.

**⚠ CAUTION**

Use caution not to pinch, cut or drill through any wires or hoses running along the frame rails.

14. Push the front of the splash shield up. If reinstallation to factory position is not possible, drill two  $11/32$ " holes into the shield using the tabs in the mount as guides, and fasten the splash shield to the mount using two  $5/16$ " cap screws, flat washers and locknuts.



15. Reinstall the bumper and grille using the original fasteners.

**NOTE:** After five to ten hours of snowplow usage, retorque all mount assembly fasteners.

The company reserves the right under its product improvement policy to change construction or design details and furnish equipment when so altered without reference to illustrations or specifications used. This equipment manufacturer or the vehicle manufacturer may require or recommend optional equipment for snow removal. Do not exceed vehicle ratings with a snowplow. The company offers a limited warranty for all snowplows and accessories. See separately printed page for this important information.

**Printed in U.S.A.**

---