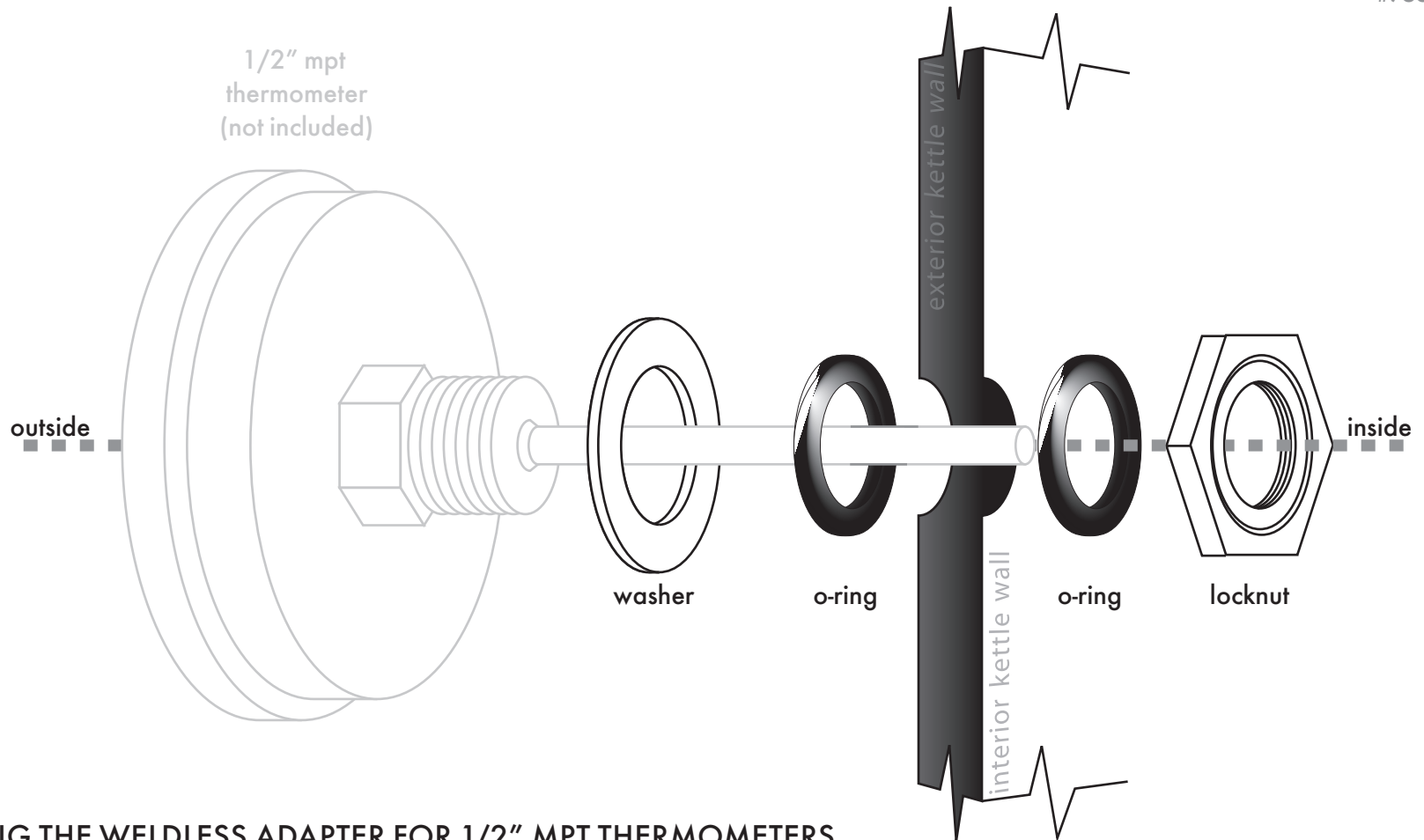


# WELDLESS ADAPTER FOR 1/2" MPT THERMOMETERS



WELDLESS ADAPTER FOR 1/2" MPT THERMOMETERS

## INSTALLING THE WELDLESS ADAPTER FOR 1/2" MPT THERMOMETERS

1. CHOOSE THE LOCATION OF THE THERMOMETER ON THE KETTLE.
2. DRILL A 7/8" HOLE IN THE SPOT YOU WISH TO LOCATE THE THERMOMETER.
3. PLACE THE STAINLESS WASHER AND ONE O-RING OVER THE MPT THREADS OF THE THERMOMETER AND INSERT THE THERMOMETER INTO THE HOLE; the o-ring should be against the kettle wall.
4. PLACE THE SECOND O-RING OVER THE THERMOMETER STEM AND THREADS ON THE INSIDE OF THE KETTLE.
5. THREAD THE LOCKNUT ONTO THE THREADS.
6. HOLDING THE THERMOMETER IN PLACE, TIGHTEN THE LOCKNUT FROM THE INSIDE OF THE KETTLE UNTIL SNUG. Do not let the thermometer turn against the outside o-ring.