
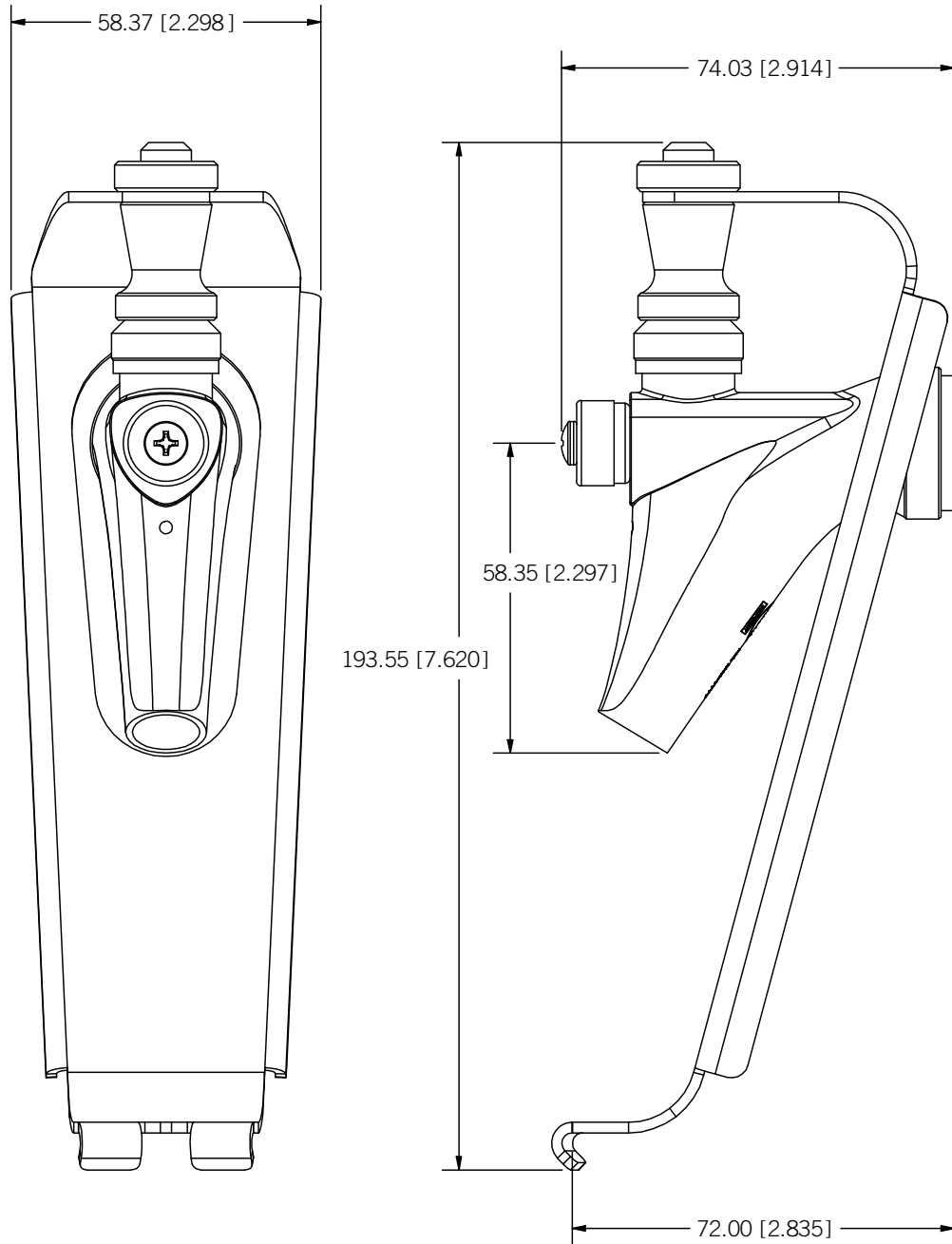


- NSF approved
- Reduced points of contact
- Single hand Push Action™ dispense operation
- High quality 304 stainless steel push plate
- Spring loaded action, self-closing faucet for full 'on' or 'off' pouring
- Highly polished exterior surface for a brilliant chrome like finish
- All 304 stainless steel – purity of stainless imparts no off-tastes
- Works on all towers
- Dispense beer, wine, cocktails, teas, cold brew coffee and water

**304-PT**

Part No.	Description	Material
 304-PT	304 Faucet with stainless steel push plate	304-grade stainless steel

Dimensions



 **MICRO MATIC**
 Toll-Free: 1-866-327-4159
www.micromatic.com

West
 19791 Bahama St.
 Northridge, CA 91324
 Tel. (818) 701-9765
 Fax. (818) 701-9844

Central
 10726 North Second St.
 Machesney Park, IL 61115
 Tel. (815) 968-7557
 Fax. (815) 968-0363

Southeast
 15111 Dispense Ln.
 Brooksville, FL 34604
 Tel. (352) 799-6331
 Fax. (352) 796-2429

Northeast
 4601 Saucon Creek Rd.
 Center Valley, PA 18034
 Tel. (610) 625-4464
 Fax. (610) 625-4466