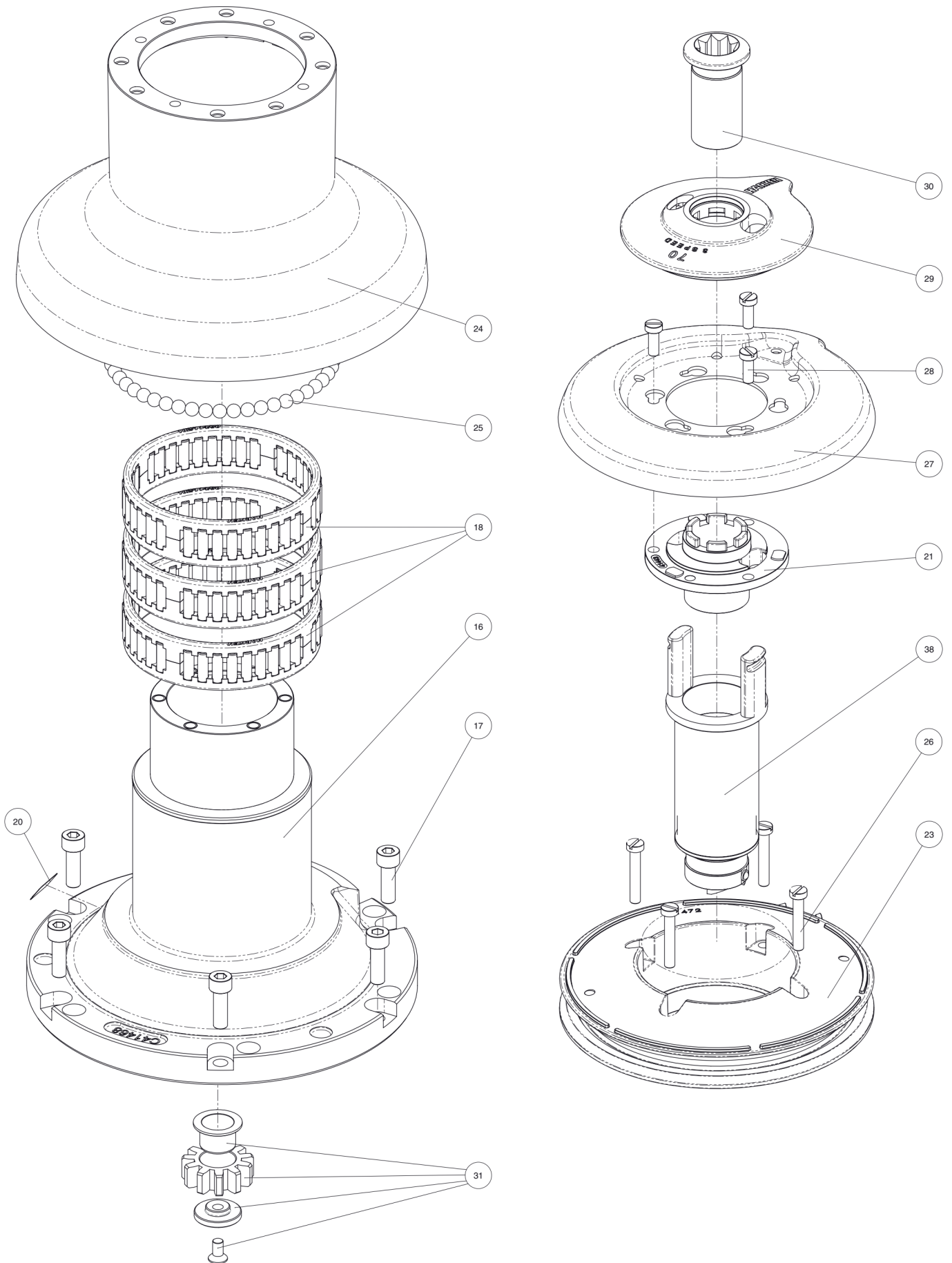
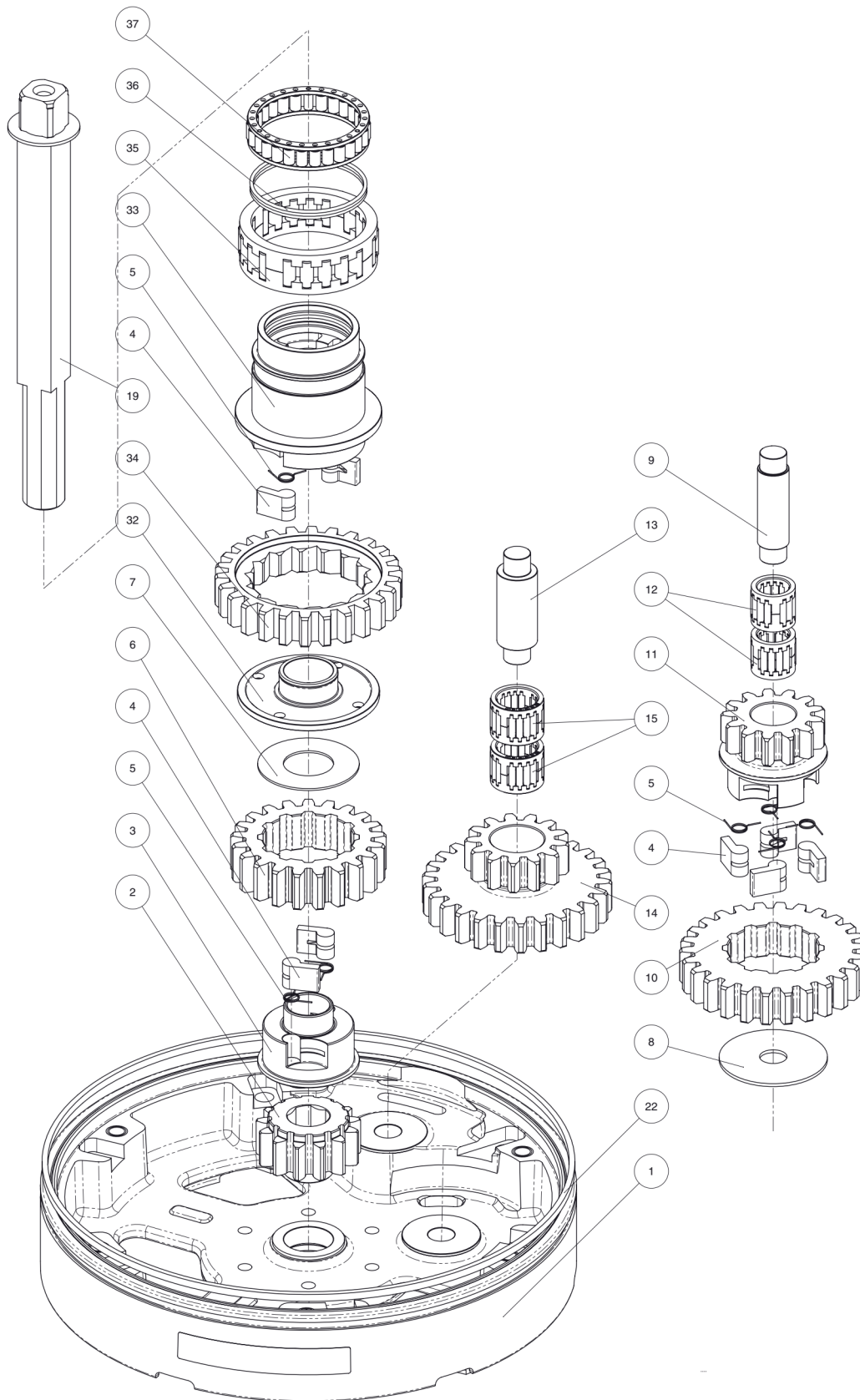


Radial Winch 70.3 STBBB, STCCC



**Radial Winch 70.3 STBBB, STCCC**

## Radial Winch 70.3 STCCC

CCC = All-Chrome bronze

Pos.	Q.ty	Code	Description	Pos.	Q.ty	Code	Description
1	1	A96980100	Assy Base Winch 70 CCC Base W70 Heli-coil M8x10	22	1	S281700097	Red line
	1	S690920043	Cover for base W70 CCC	23	1	A96812300	Assy Jaws winch 70 Lower Jaw W70 CCC Upper Jaw W70 RAL9003 Peeler W60 - 70 RAL9003 SPRING
	1	S476030004	Centering bushing Ø12		1	S414850080W	
	1	S4152300A7	Bushing Ø22xØ25x9.5		4	S385970001	
	2	S415580085	Bushing Ø12xØ35x9 Winch Product Sticker**		24	1	A74148800
2	1	S414770004	Gear Z13 W70	25	50	M0610280	Ball 5/16"
3	1	S413030004	Pawls Carrier Ø8xN2	26	4	M0601803	Screw UNI EN ISO 1207:1996 - M6x35 - A4
4	8	S000080003	Pawl Ø8*	27	1	S414730019	Stripper Arm W70
5	8	S000380001	Pawl Spring Ø8*	28	3	M0601903	Screw M6x16 UNI1207
6	1	S414390041	Ratchet Gear Z21xN2	29	1	A76924600	Assy cover W70.3CCC
7	1	S413120002	Washer Ø22.5xØ45x1	30	1	A94154700	Assy Socket 3speed Socket Handle 3 speed Washer Ø7.7xØ25x5.8 Screw M8x20 UNI 6109
8	1	S278170002	Washer Ø12.5xØ48x1.5		1	S415130085	
9	1	S281010004	Pin for gear		1	M0614303	
10	1	S414420041	Ratchet Gear Z26xN4	31	1	A94145300	Assy Gear 3rd speed Idler Gear 3 speed Bushing Ø22xØ25x15.5 Washer 3 speed Screw M6x12 UNI 5933
11	1	S414410004	Pawls Carrier Gear Z13 N4		1	S414530004	
12	2	A72821800	Roller Bearing 14/20/18		1	S414550081	
13	1	S416030004	Gear Pin Ø12xØ18x52,5		1	S414540080	
14	1	S414760004	Idler and Pinion Z26/Z13 W70		1	M0604003	
15	2	A74162300	Roll bearing 24x18x18	32	1	S414580081	Shim Bushing 3 speed
16	1	A94190900	Assy Housing Winch 70.3 Housing W70	33	1	S415400004	Pawls Carrier 3 speed
	2	S415580085	Bushing Ø12xØ35x9 Heli-coil M6x9	34	1	S280870041	Gear 1V
	1	S415410081	Bushing 3 speed	35	1	A73129200	ROLLER BEARING 50-62-20 ERTA P
17	6	M0606303	Screw M8x25 UNI 5931	36	1	S377510001	Clutch Spring
18	3	A74147500	Roller Bearing Ø102xØ114x26	37	1	A73422600	Bearing 45x55x12
19	1	A94147900	Assy Shaft Winch 70 Central shaft W70 ST	38	1	A94153700	Assy Clutch 3rd speed W70 Assy Command tube W70 Dog Clutch 3 speed Spring loaded ball plunger Ø6
	1	S413880002	Washer Ø17.2xØ32x1.5		1	S415420004	
20			Winch Serial Number Sticker	2	M6009463		
21	1	S4155700A0	Stripper arm Housing				

\*Available with service kit; see website [www.harken.com](http://www.harken.com)

\*\*Winch product sticker

