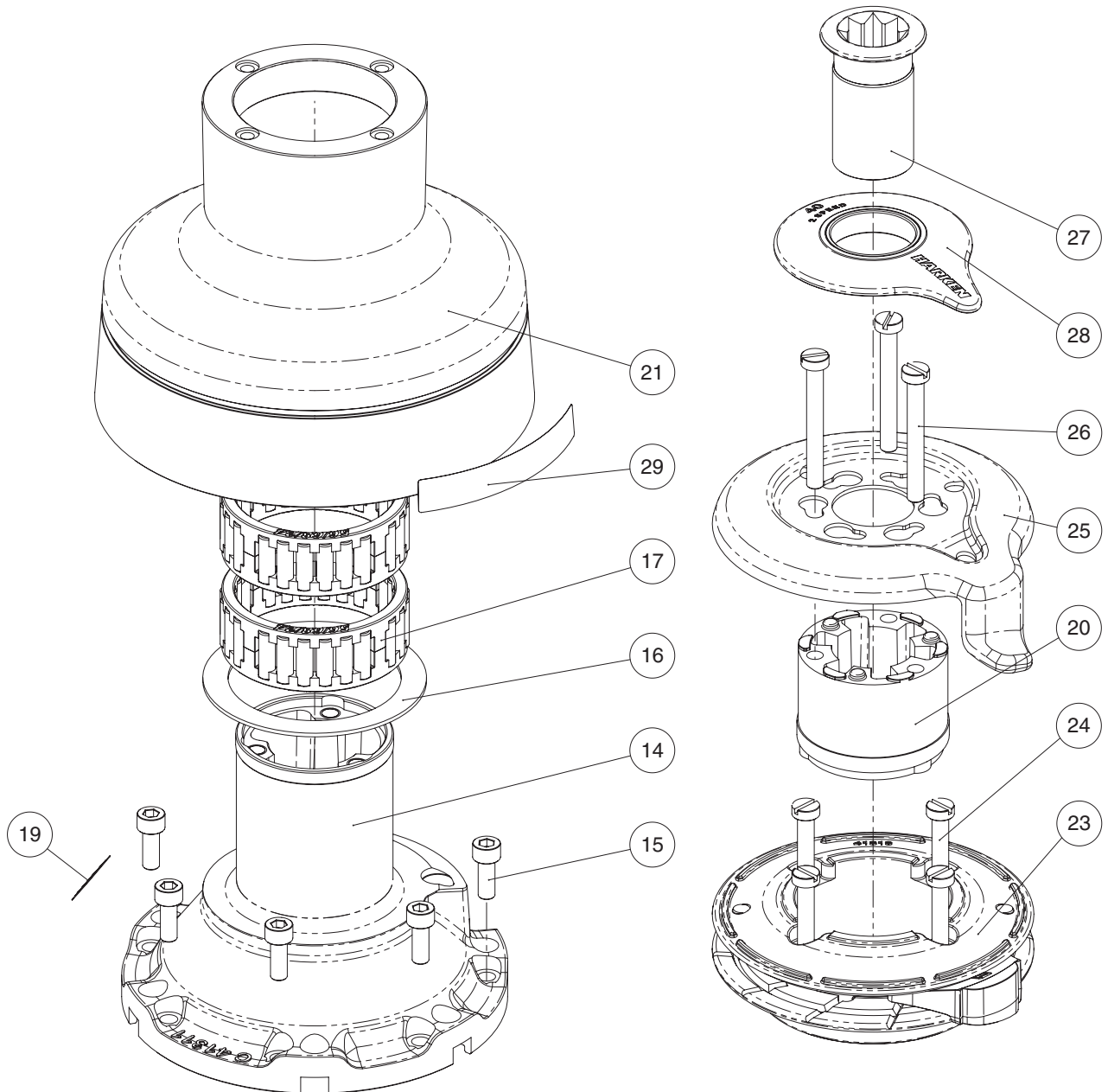
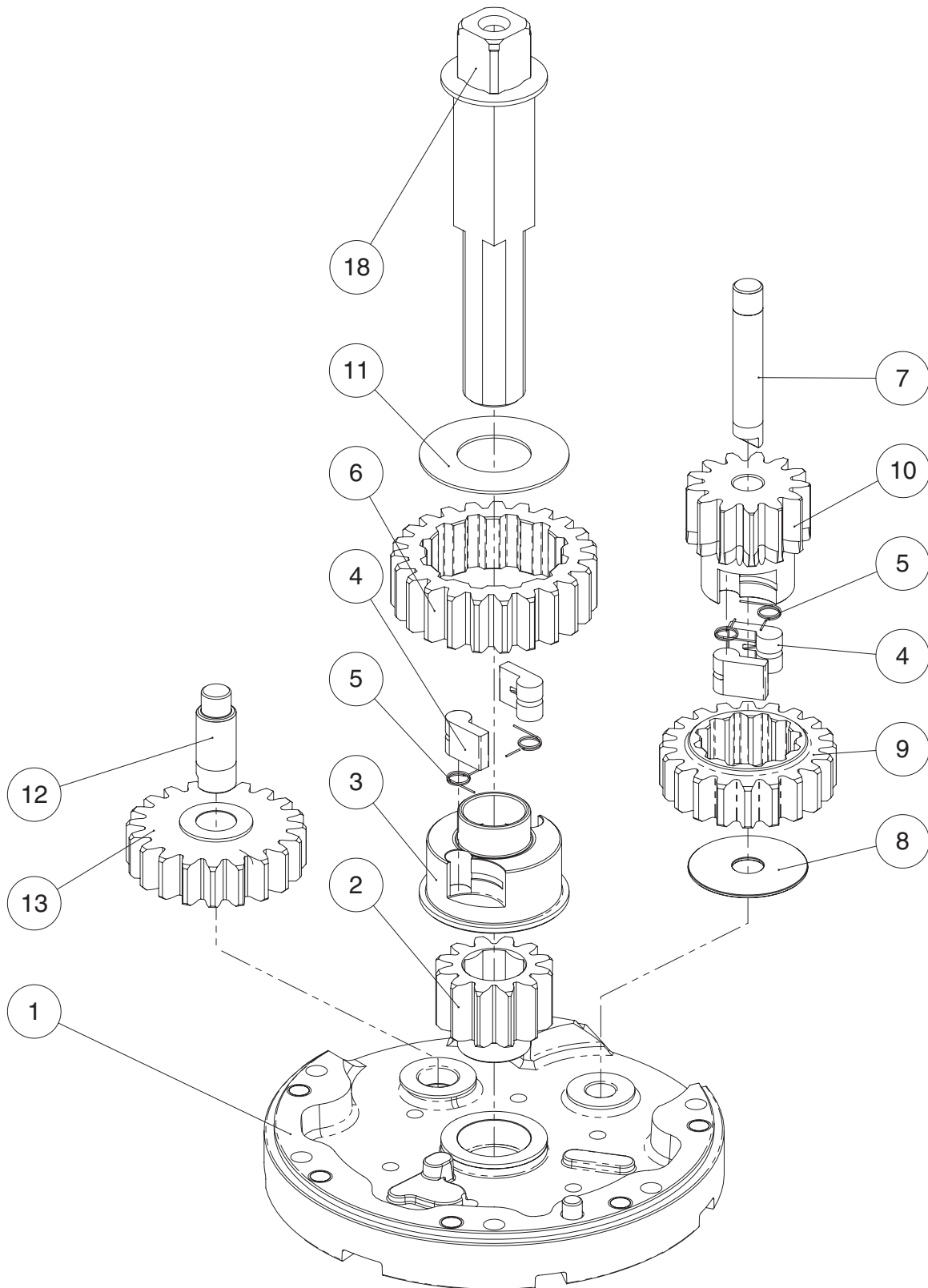


Radial Winch 40.2 STBBB, STCCC

Radial Winch 40.2 STBBB, STCCC

Radial Winch 40.2 STBBB

BBB = all bronze

Pos.	Q.ty	Code	Description	Pos.	Q.ty	Code	Description
1	1	A96633200	Winch 40 Base Assy <i>PERFORMA Base W40</i>	17	2	A74136000	Bearing Ø56xØ68x24
	1	S413350080	<i>Heli-coil M6x9</i>	18	1	A94139000	Assy Central Shaft W35/40 <i>Central shaft W35/40 ST</i>
	1	S4152300A7	<i>Roller Ø6x19</i>		1	S413880002	<i>Washer Ø17.2xØ32x1.5</i>
	1	S413960085	<i>Bushing Ø22xØ25x9.5</i>	19			Winch Serial Number Sticker
	1	S413330085	<i>Bushing Ø9xØ11x12</i>	20	1	S4129400A0	Stripper arm Housing
	1	S413330085	<i>Bushing Ø12xØ14x11</i>	21	1	S688160043	Drum W40 BBB
2	1	S413020004	Gear Z12	22	1	S281680097	Red line
3	1	S413030004	Pawls Carrier Ø8xN2	23	1	A96932800	Assy Jaws Winch 35/40 BBB <i>Lower Jaw W35/40 BBB</i>
4	4	S000080003	Pawl Ø8*				<i>Upper Jaw W35/40</i>
5	4	S000380001	Pawl Spring Ø8*		1	S413610080	<i>Peeler W20 - 40</i>
6	1	S412830041	Gear Z23		4	S385970001	<i>SPRING</i>
7	1	S413000004	Pin Ø9x55	24	4	M0601803	Screw UNI EN ISO 1207:1996 - M6x35 - A4
8	1	S279090002	Washer Ø36xØ9,5x1	25	1	S693220019	Stripper arm W35/40 BBB
9	1	S412970004	Gear Z20	26	3	M6007103	Screw M6x50 UNI6107
10	1	S412850041	Pinion Z13	27	1	A94136400	Assy Socket W20-80 <i>Socket Handle W20/80</i>
11	1	S413120002	Washer Ø22.5xØ45x1		1	S415130085	<i>Washer Ø7.7xØ25x5.8</i>
12	1	S413070004	Pin Ø9-Ø12x32.5		1	M0614303	<i>Screw M8x20 UNI 6109</i>
13	1	A94130500	Assy Gear Z20 <i>Gear Z20</i>	28	1	A76932600	Cover 2 speed W40
	2	S414900080	<i>Bushing Ø12xØ14x8</i>	29			Winch Product Sticker**
14	1	A94141500	Assy Housing Winch 40 <i>Housing W40</i>				
	2	S414890080	<i>Bushing Ø9xØ11x7</i>				
			<i>Heli-coil M6x9</i>				
	1	S4130900A7	<i>Bushing Ø22xØ25x8.5</i>				
15	6	M0635103	Socket head screw M6x16 UNI 5931				
16	1	S413150082	Washer Ø62xØ80x1.5				

*Available with service kit; see website www.harken.com

**Winch product sticker

