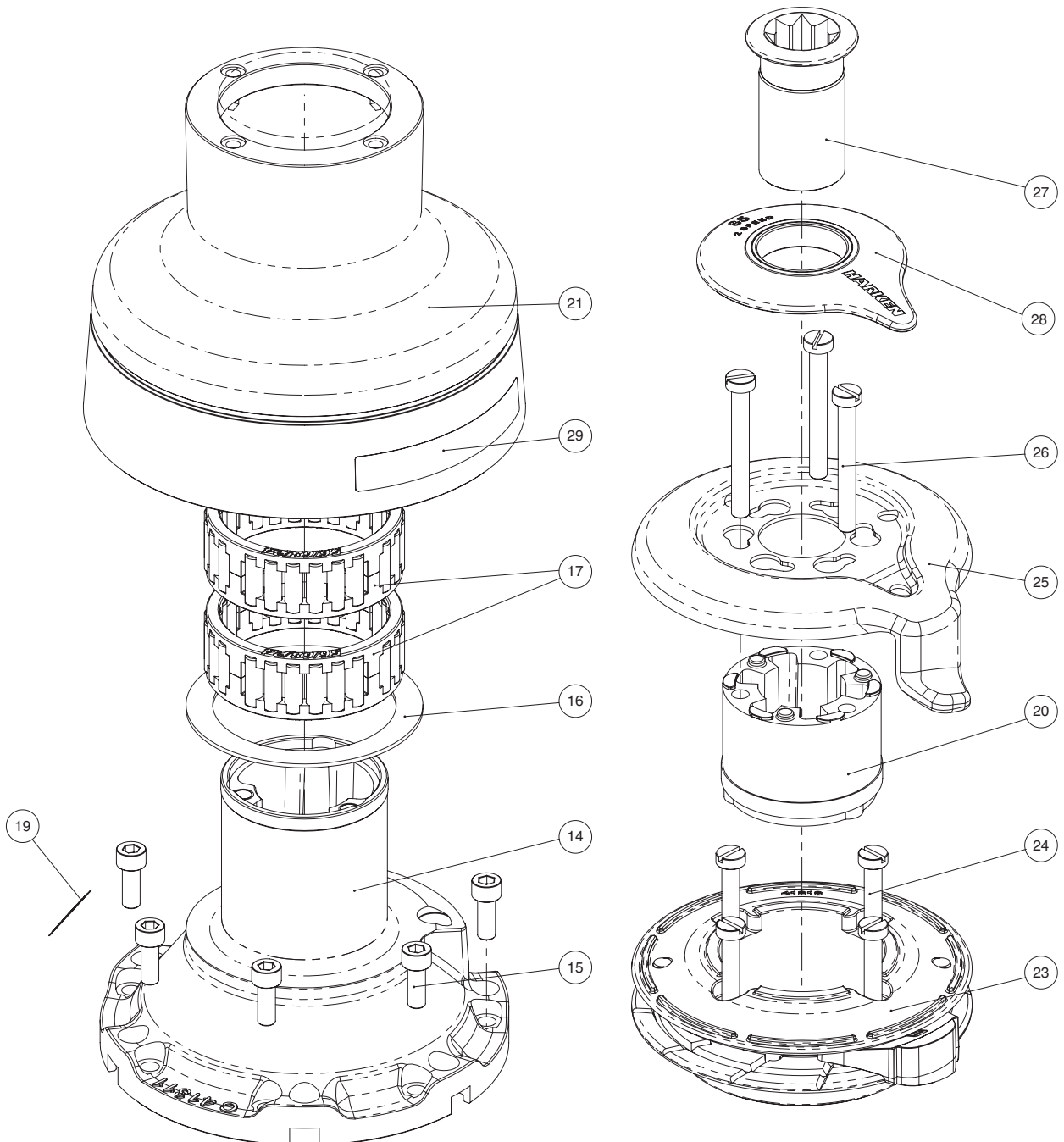
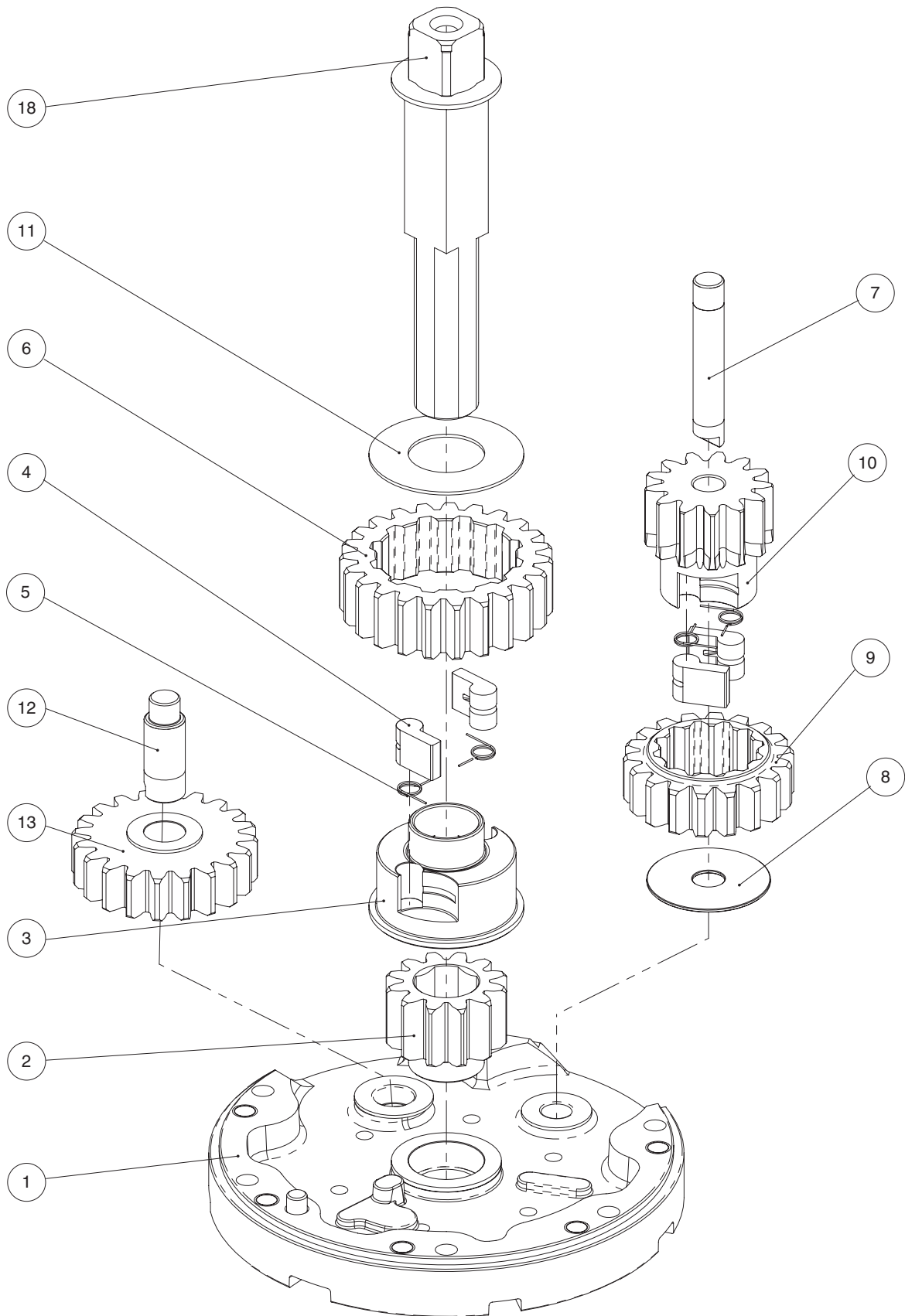


Radial Winch 35.2 STBBB, STCCC

Radial Winch 35.2 STBBB, STCCC

Radial Winch 35.2 STCCC

CCC = All-Chrome bronze

Pos.	Q.ty	Code	Description	Pos.	Q.ty	Code	Description						
1	1	A96633100	Assy Base Winch 35 <i>PERFORMA Base W35 Heli-coil M6x9</i>	16	1	S413150082	Washer Ø62xØ80x1.5						
	1	S413350080	<i>Roller Ø6x19</i>	17	2	A74136000	Bearing Ø56xØ68x24						
	1	S4152300A7	<i>Bushing Ø22xØ25x9.5</i>	18	1	A94139000	Assy Central Shaft W35/40 <i>Central shaft W35/40 ST</i>						
	1	S413960085	<i>Bushing Ø9xØ11x12</i>		1	S413880002	<i>Washer Ø17.2xØ32x1.5</i>						
	1	S413330085	<i>Bushing Ø12xØ14x11</i>	19			Winch Serial Number Sticker						
2	1	S413020004	Gear Z12	20	1	S4129400A0	Stripper arm support						
3	1	S413030004	Pawls Carrier Ø8xN2	21	1	S681040043	Drum CCC W35						
4	4	S000080003	Pawl Ø8*	22	1	S281680097	Red line						
5	4	S000380001	Pawl Spring Ø8*	23	1	A96811900	Assy Jaws Winch 35/40 CCC <i>Lower Jaw W35/40 CCC</i>						
6	1	S412830041	Gear Z23				<i>Upper Jaw W35-40 RAL9003</i>						
7	1	S413000004	Pin Ø9x55		1	S413610080W	<i>Peeler W20 - 40 RAL9003</i>						
8	1	S279090002	Washer 36x9,5x1		4	S385970001	<i>SPRING</i>						
9	1	S415650004	Ratchet Gear Z18	24	4	M0601803	Screw UNI EN ISO 1207:1996 - M6x35 - A4						
10	1	S412850041	Pinion Z13	25	1	S414200019	Stripper Arm W35/40						
11	1	S413120002	Washer Ø22.5xØ45x1	26	3	M6007103	Screw M6x50 UNI6107						
12	1	S413070004	Pin Ø9-Ø12x32.5	27	1	A94136400	Assy Socket W20-80						
							<i>Socket Handle W20/80</i>						
13	1	A94130500	Assy Gear Z20 <i>Gear Z20</i>	1	1	S415130085	<i>Washer Ø7.7xØ25x5.8</i>						
							2	S414900080	<i>Bushing Ø12xØ14x8</i>	1	M0614303	<i>Screw M8x20 UNI 6109</i>	
14	1	A94131100	Assy Housing Winch 35 <i>Housing Winch 35</i>	1	1	A76811100	Cover W35 CCC						
							2	S414890080	<i>Bushing Ø9xØ11x7</i>	29			Winch Product Sticker**
													1
15	6	M0635103	Socket head screw M6x16 UNI 5931										

*Available with service kit; see website www.harken.com

**Winch product sticker

