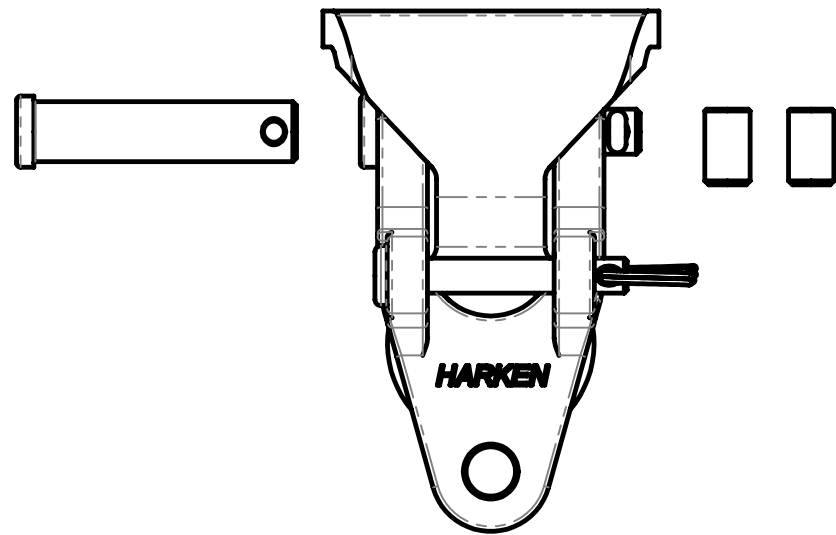
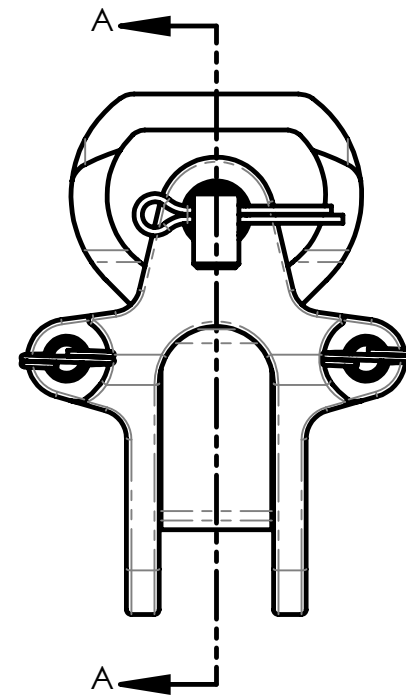


1.750REF

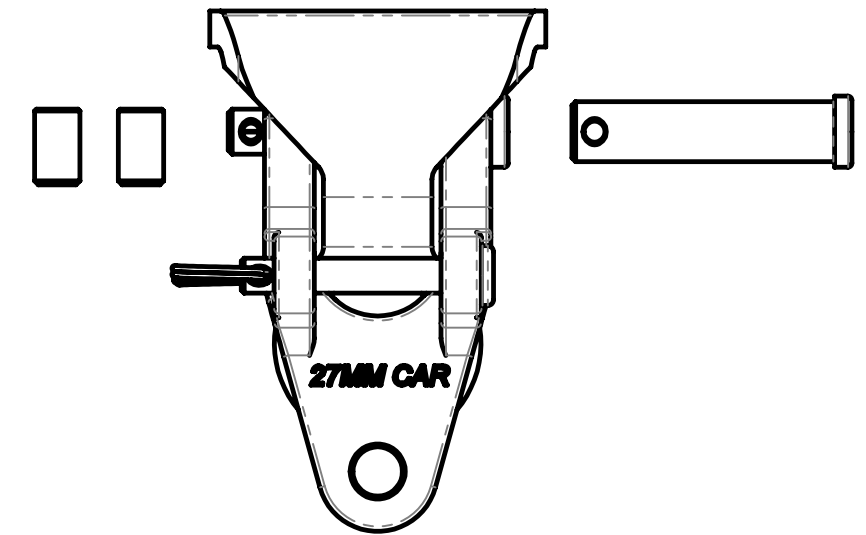


HARKEN

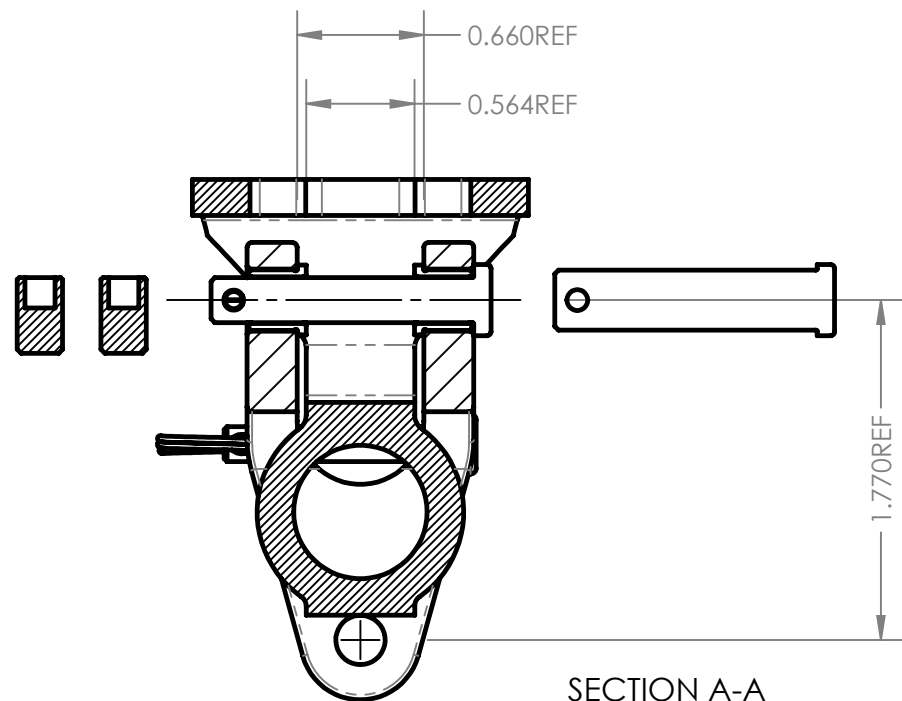


A

A



27MM CAR



0.660REF

0.564REF

1.770REF

SECTION A-A

HARKEN
INCORPORATED
N15 W24983 Bluemound Road
Pewaukee, Wisconsin 53072
Tel: 262-691-3320
Fax: 262-691-3807
www.harken.com

DIMENSIONS IN OVALS ARE KEY PRODUCT CHARACTERISTICS	
UNLESS OTHERWISE SPECIFIED: - DIMENSIONS IN INCHES - ALL DIMENSIONS PRIOR TO FINISHING - REMOVE ALL BURRS AND BREAK SHARP EDGES WITH 0.010 MAX RADIUS OR CHAMFER	
TOLERANCES UNLESS OTHERWISE SPECIFIED:	
DECIMAL: ± -	RADIUS: ± -
HOLE DIA: ± -	CHAMFER: ± -
ANGULAR: ± - °	SURFACE FINISH: - √

**TOGGLE W/CONTROL BLOCK ASSEMBLY
27MM CAR**

MATERIAL: -
FINISH: -

© The designs, constructions, arrangements, disclosures and devices illustrated in presentations bearing this note are the property of Harken, Inc., Pewaukee, WI and are submitted in confidence with the understanding that such material shall not be utilized in any way by any party without prior written consent from Harken, Inc.

DRAWING NUMBER H-80242		REV. 0
PART # 1643		
SHEET NUMBER: 1/1	SCALE: 1:1	
DRAWN BY: GH	DATE: 5-22-18	
ENG. APR: JJM	DATE: 6-13-18	
MFG. APR: MKE	DATE: 6-20-18	