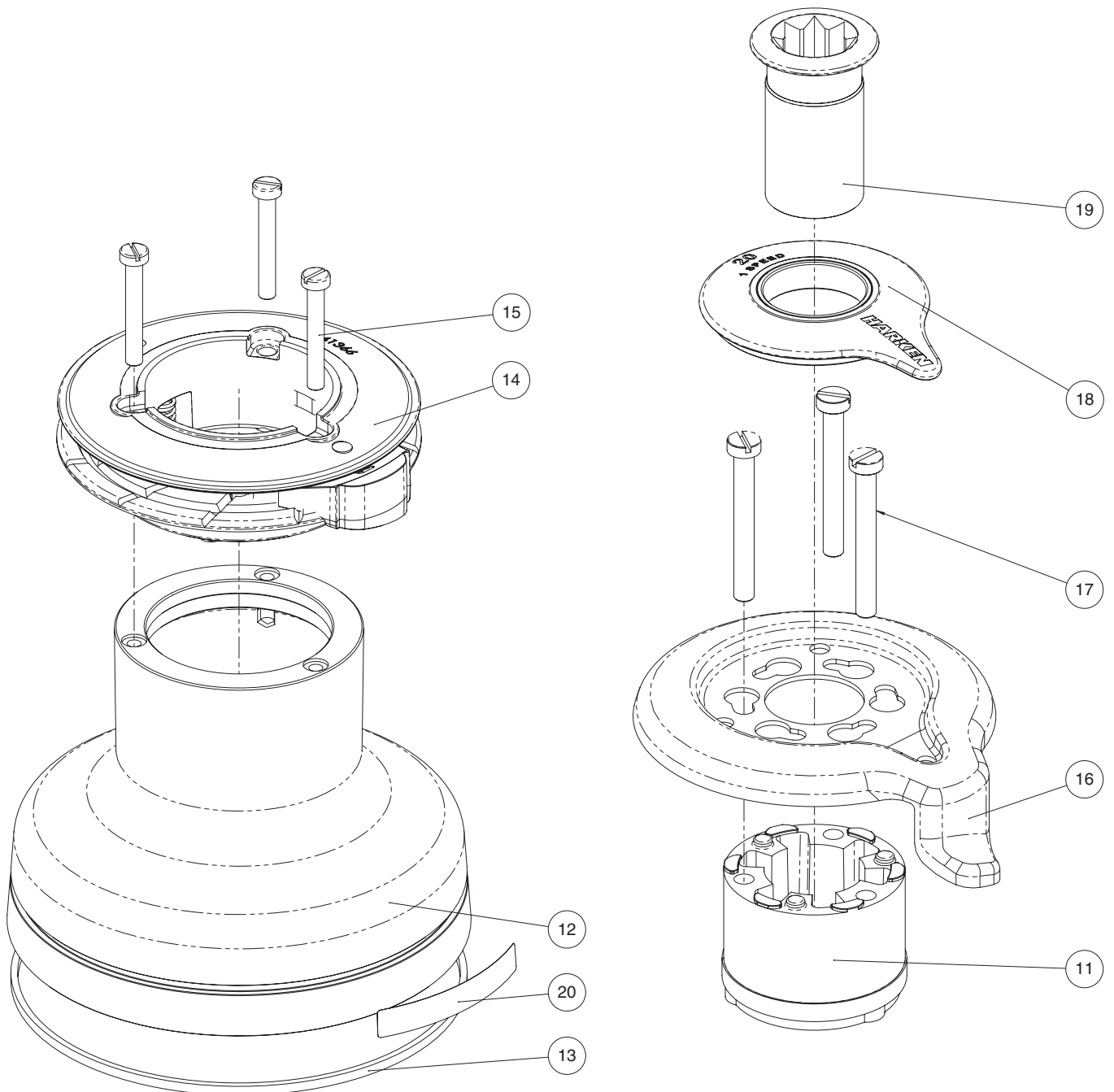
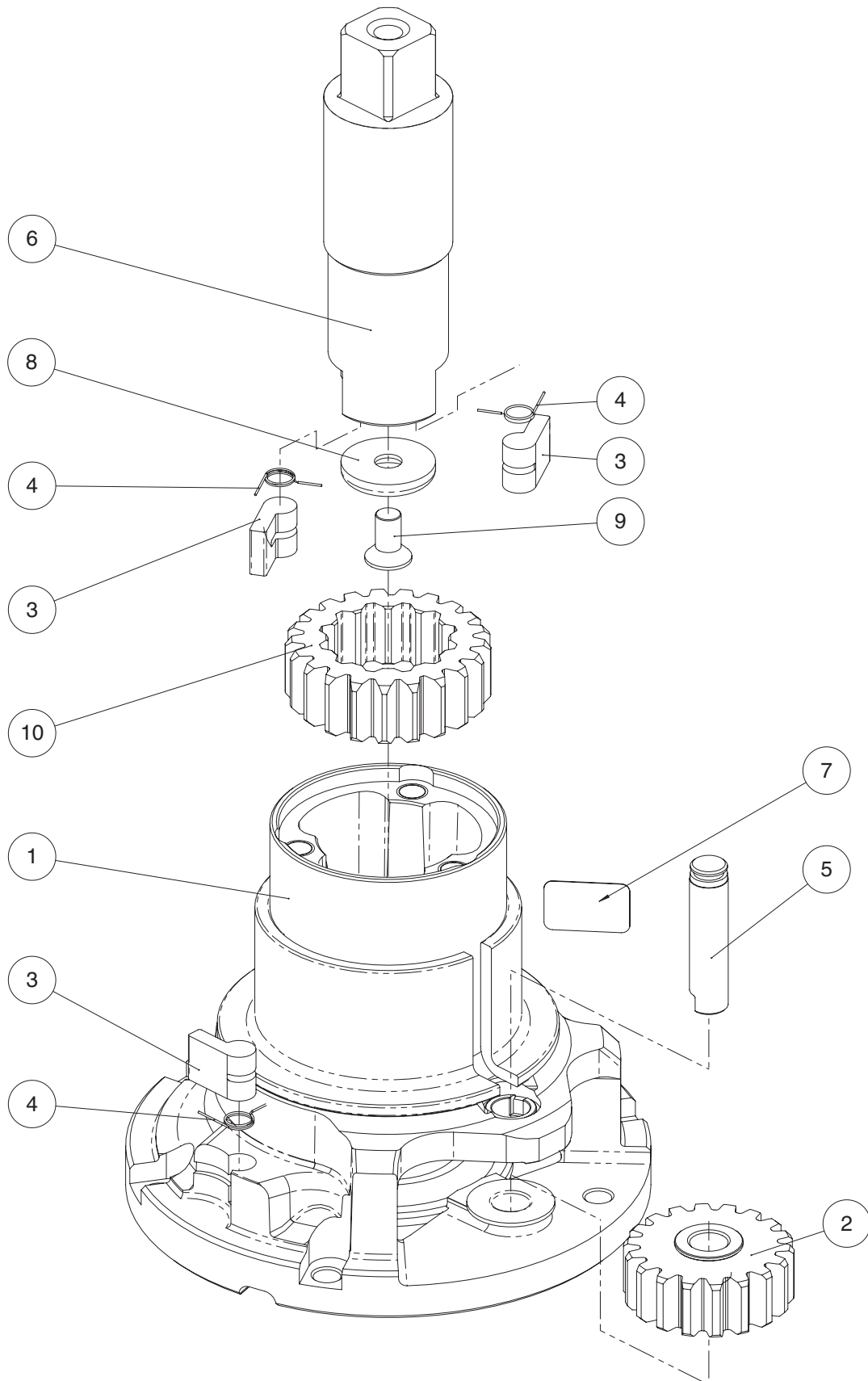


Radial Winch 20 STBBB, STCCC



Radial Winch 20 STBBB, STCCC

## Radial Winch 20 STBBB

BBB = all bronze

Pos.	Q.ty	Code	Description
1	1	A96874100	Assy Housing Winch 20
			<i>Housing W20</i>
	1	S413740085	<i>Bushing Ø9xØ11x9</i>
	1	S413960085	<i>Bushing Ø9xØ11x12</i>
			<i>Heli-coil M6x9</i>
	1	S413720080	<i>Bushing Ø55xØ62x34</i>
			<i>Washer Ø33.5xØ58x5.5</i>
			<i>Bushing Ø28xØ33x25</i>
2	1	A94136700	Assy Gear Z18
			<i>Gear Z18</i>
	2	S418730080	<i>Bushing Ø9xØ11x7</i>
3	4	S000080003	Pawl Ø8*
4	4	S000380001	Pawl Spring Ø8*
5	1	S413700004	Pin
6	1	S413630002	Shaft Winch 20
7			Winch Serial Number Sticker
8	1	S268890080	Washer
9	1	M0604003	Screw M6x12 UNI 5933
10	1	S413620041	Gear Z21
11	1	S4129400A0	Stripper arm support
12	1	S416650043	Drum 20 BBB
13	1	S281670097	Red line
14	1	A96931900	Assy Jaws Winch 20 BBB
			<i>Lower Jaw W20 BBB</i>
			<i>Upper Jaw W20</i>
	1	S413610080	<i>Peeler W20 - 40</i>
	3	S385970001	<i>SPRING</i>
15	3	M6009103	Screw UNI EN ISO 1207:1996 - M5x35-A4
16	1	S693180019	Stripper Arm W20 BBB
17	3	M6007103	Screw M6x50 UNI6107
18	1	A76932000	COVER W20 BBB
19	1	A94136400	Assy Socket W20-80
			<i>Socket Handle W20/80</i>
	1	S415130085	<i>Washer Ø7.7xØ25x5.8</i>
	1	M0614303	<i>Screw M8x20 UNI 6109</i>
20			Winch Product Sticker**

\*Available with service kit; see website [www.harken.com](http://www.harken.com)

\*\*Winch product sticker

