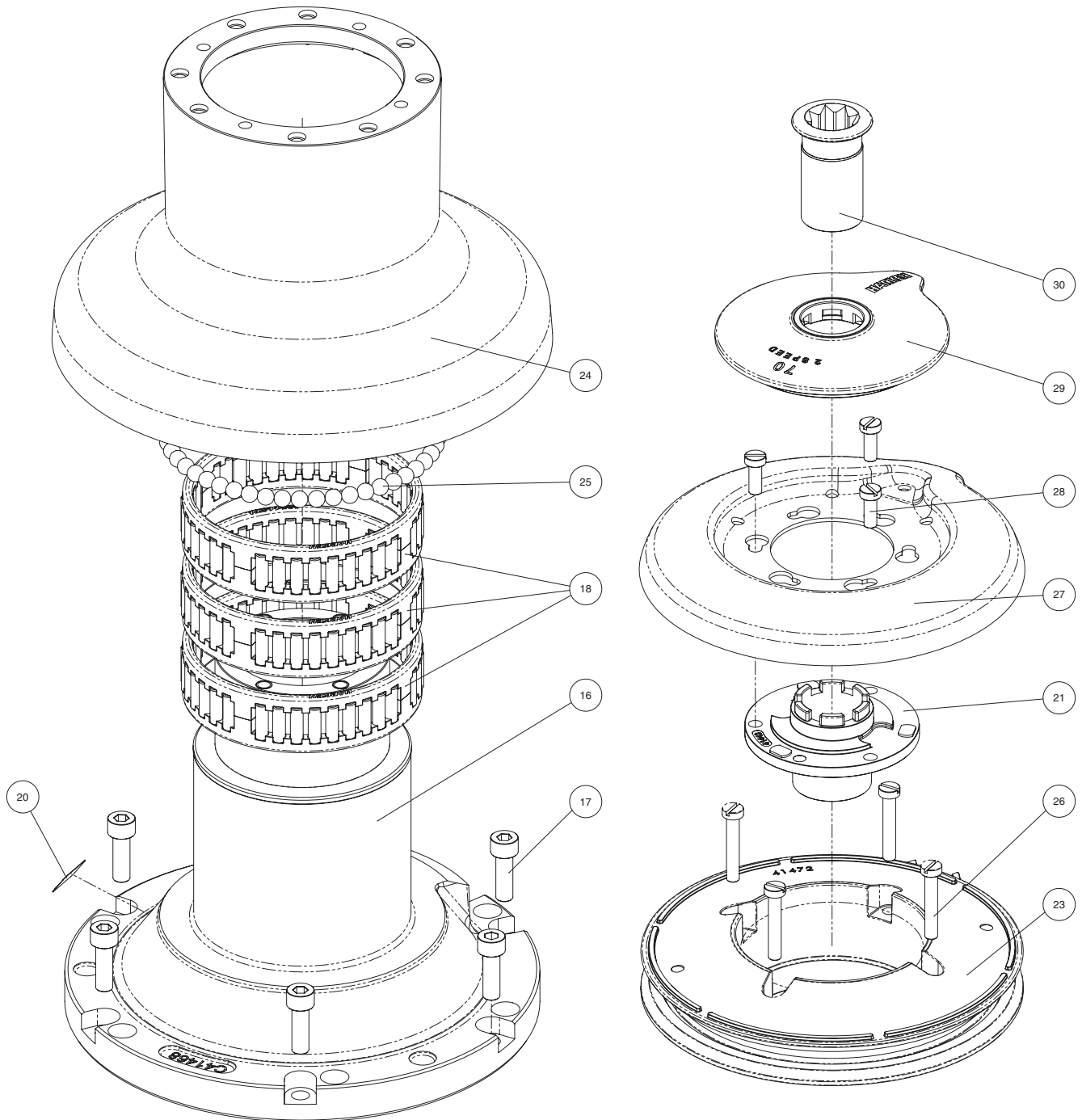
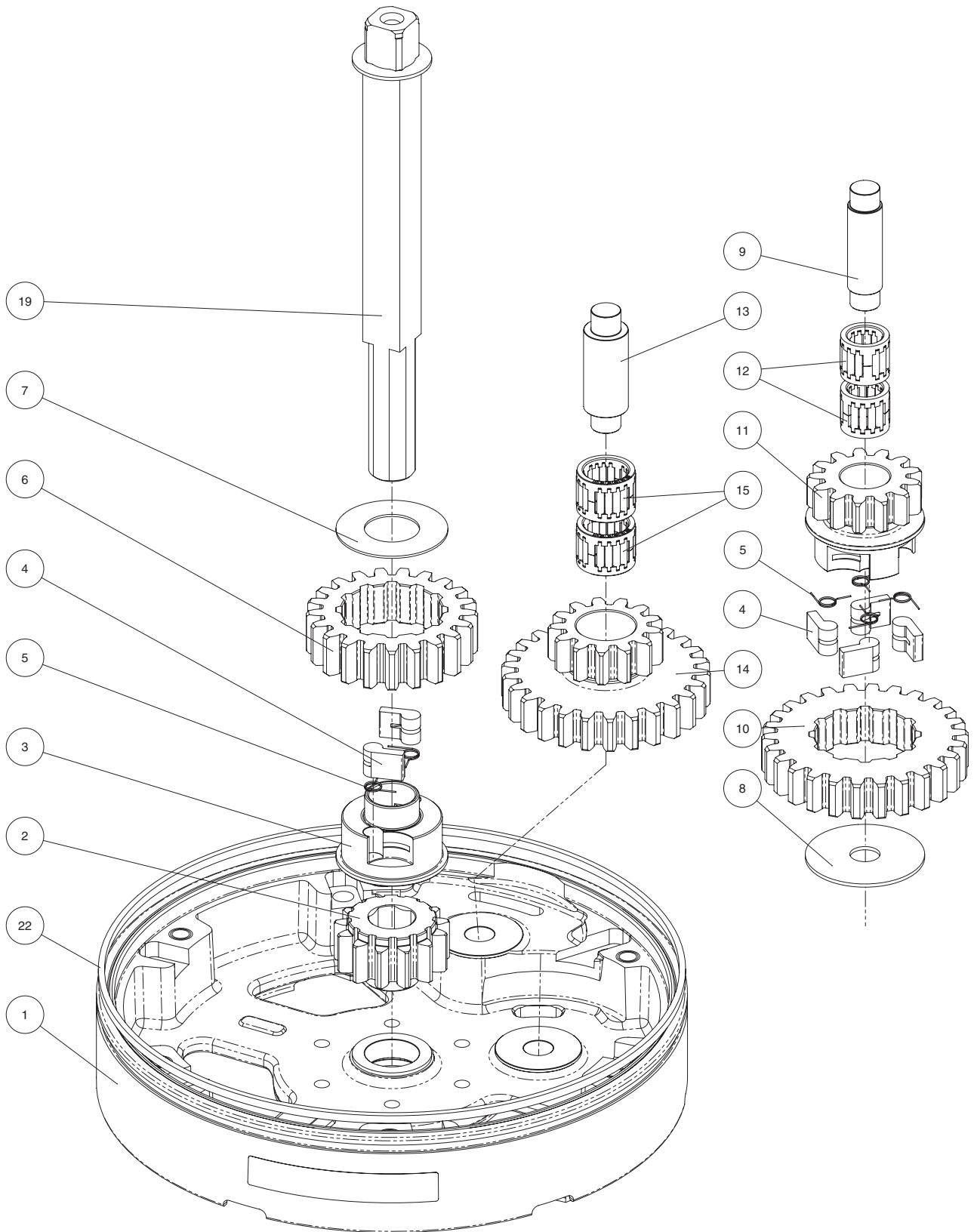


Radial Winch 70.2 STBBB, STCCC

Radial Winch 70.2 STBBB, STCCC

Radial Winch 70.2 STBBB

BBB = all bronze

Pos.	Q.ty	Code	Description	Pos.	Q.ty	Code	Description
1	1	A96980000	Assy Base Winch 70 BBB Base W70 Heli-coil M8x10	18	3	A74147500	Roller Bearing Ø102xØ114x26
	1	S690880043	Cover for base W70 BBB	19	1	A94147900	Assy Shaft Winch 70 Central shaft W70 ST
	1	S476030004	Centering bushing Ø12	1	1	S413880002	Washer Ø17.2xØ32x1.5
	1	S4152300A7	Bushing Ø22xØ25x9.5	20			Winch Serial Number Sticker
	2	S415580085	Bushing Ø12xØ35x9 Winch Product Sticker**	21	1	S4144300A0	Stripper Arm Housing W60/70
2	1	S414770004	Gear Z13 W70	22	1	S281700097	Red line
3	1	S413030004	Pawls Carrier Ø8xN2	23	1	A96924400	Assy Jaws winch 70 ST BBB Lower Jaw W70 BBB Upper Jaw W70 Peeler W60 - 70 SPRING
4	6	S000080003	Pawl Ø8*	1	1	S414850080	24
5	6	S000380001	Pawl Spring Ø8*	4	4	S385970001	
6	1	S414390041	Ratchet Gear Z21xN2	25	50	M0610280	Ball 5/16"
7	1	S413120002	Washer Ø22.5xØ45x1	26	4	M0601803	Screw UNI EN ISO 1207:1996 - M6x35 - A4
8	1	S278170002	Washer Ø12.5xØ48x1.5	27	1	S692450047	Stripper Arm W70 BBB
9	1	S281010004	Pin for gear	28	3	M0601903	Screw M6x16 UNI1207
10	1	S414420041	Ratchet Gear Z26xN4	29	1	A76924200	Assy cover W70 BBB
11	1	S414410004	Pawls Carrier Gear Z13 N4	30	1	A94136400	Assy Socket W20-80 Socket Handle W20/80 Washer Ø7.7xØ25x5.8 Screw M8x20 UNI 6109
12	2	A72821800	Roller Bearing 14/20/18	1	1	S415130085	17
13	1	S416030004	Gear Pin Ø12xØ18x52.5	1	1	M0614303	
14	1	S414760004	Idler and Pinion Z26/Z13 W70				
15	2	A74162300	Roll bearing 24x18x18				
16	1	A94146800	Assy Housing Winch 70 Housing W70				
	2	S415580085	Bushing Ø12xØ35x9 Heli-coil M6x9 Support Bushing W70				
	1	S4130900A7	Bushing Ø22xØ25x8.5				
17	6	M0606303	Screw M8x25 UNI 5931				

*Available with service kit; see website www.harken.com

**Winch product sticker

