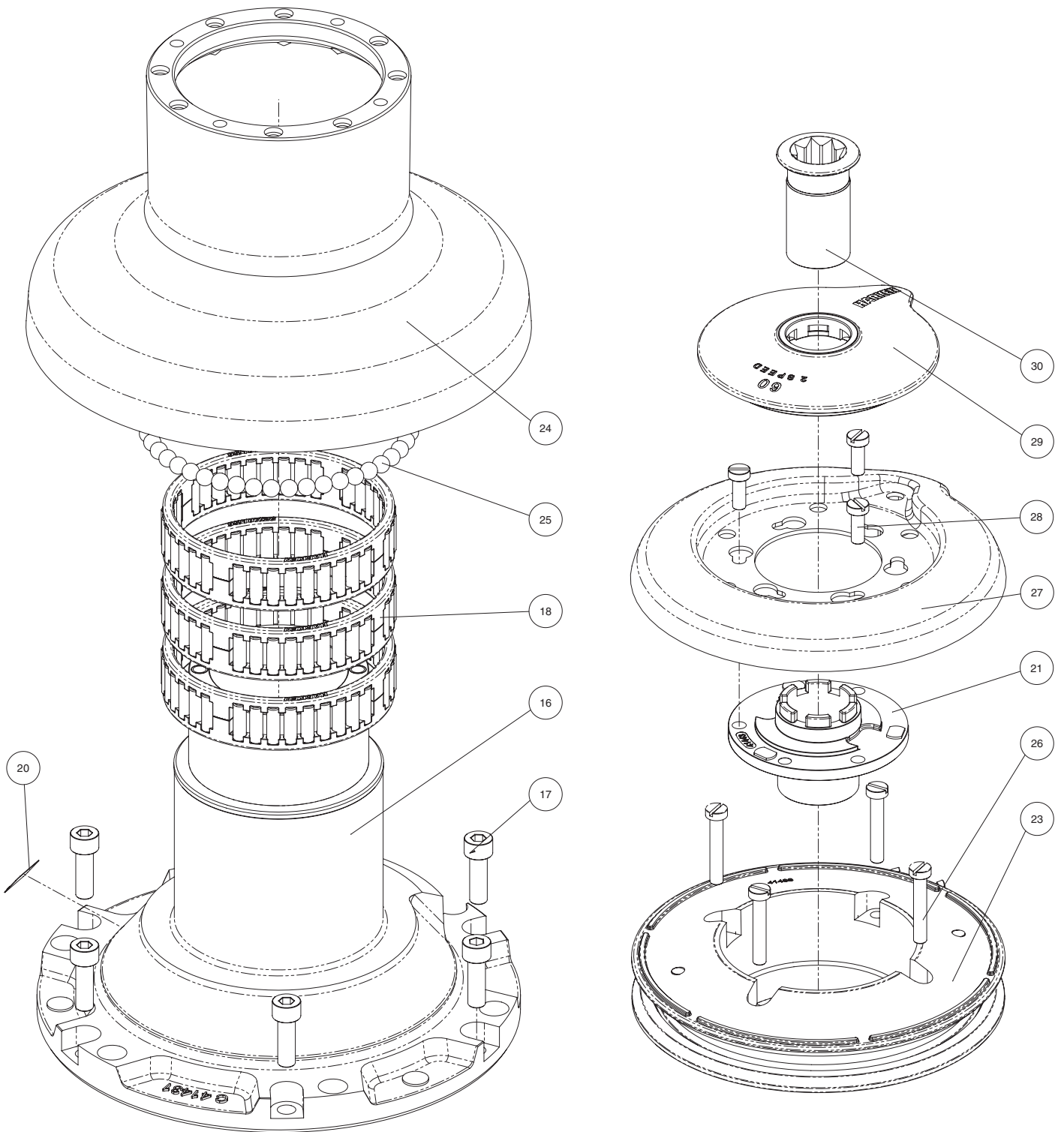


Radial Winch 60.2 STBBB, STCCC



## Radial Winch 60.2 STBBB

BBB = all bronze

Pos.	Q.ty	Code	Description	Pos.	Q.ty	Code	Description
1	1	A96908700	Assy Base Winch 60 BBB <i>Base W60</i> <i>Heli-coil M8x10</i>	18	3	A74145000	Roller Bearing Ø95xØ107x26
	1	S690870043	Cover for base W60 BBB	19	1	A94143800	Assy Shaft Winch 60 <i>Central shaft W60 ST</i>
	1	S476030004	Centering bushing Ø12	1	1	S413880002	Washer Ø17.2xØ32x1.5
	1	S4152300A7	Bushing Ø22xØ25x9.5	20			Winch Serial Number Sticker
	2	S415580085	Bushing Ø12xØ35x9 <i>Winch Product Sticker**</i>	21	1	S4144300A0	Stripper Arm Housing W60/70
2	1	S414400004	Gear Z14 W60	22	1	S281700097	Red line
3	1	S413030004	Pawls Carrier Ø8xN2	23	1	A96924100	Assy Jaws Winch 60 BBB <i>Lower Jaw W60 BBB</i> <i>Upper Jaw W60</i> <i>Peeler W60 - 70</i> <i>SPRING</i>
4	6	S000080003	Pawl Ø8*	1	1	S414850080	24
5	6	S000380001	Pawl Spring Ø8*	4	4	S385970001	
6	1	S414390041	Ratchet Gear Z21xN2	25	47	M0610280	Ball 5/16"
7	1	S413120002	Washer Ø22.5xØ45x1	26	4	M0601803	Screw UNI EN ISO 1207:1996 - M6x35 - A4
8	1	S278170002	Washer Ø12.5xØ48x1.5	27	1	S692400047	Stripper arm Winch 60 BBB
9	1	S281010004	Pin for gear	28	3	M0601903	Screw M6x16 UNI1207
10	1	S414420041	Ratchet Gear Z26xN4	29	1	A76907400	Cover W60 BBB
11	1	S414410004	Pawls Carrier Gear Z13 N4	30	1	A94136400	Assy Socket W20-80 <i>Socket Handle W20/80</i> <i>Washer Ø7.7xØ25x5.8</i> <i>Screw M8x20 UNI 6109</i>
12	2	A72821800	Roller Bearing 14/20/18	1	1	S415130085	17
13	1	S416030004	Gear Pin Ø12xØ18x52.5	1	1	M0614303	
14	1	S414480004	Idler and Pinion Z23/Z13 W60				
15	2	A74162300	Roll bearing 24x18x18				
16	1	A94143100	Assy Housing Winch 60.2 <i>Housing W60</i>				
	2	S415580085	Bushing Ø12xØ35x9 <i>Heli-coil M6x9</i> <i>Support Bushing W60</i>				
	1	S4130900A7	Bushing Ø22xØ25x8.5				
17	6	M0606303	Screw M8x25 UNI 5931				

\*Available with service kit; see website [www.harken.com](http://www.harken.com)

\*\*Winch product sticker

