



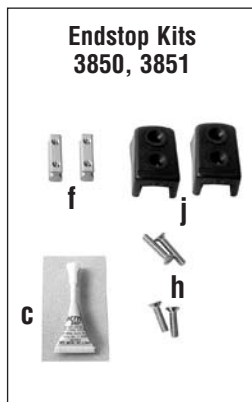
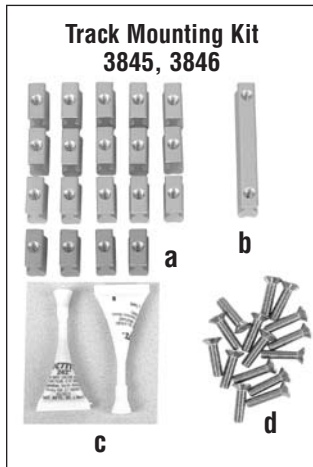
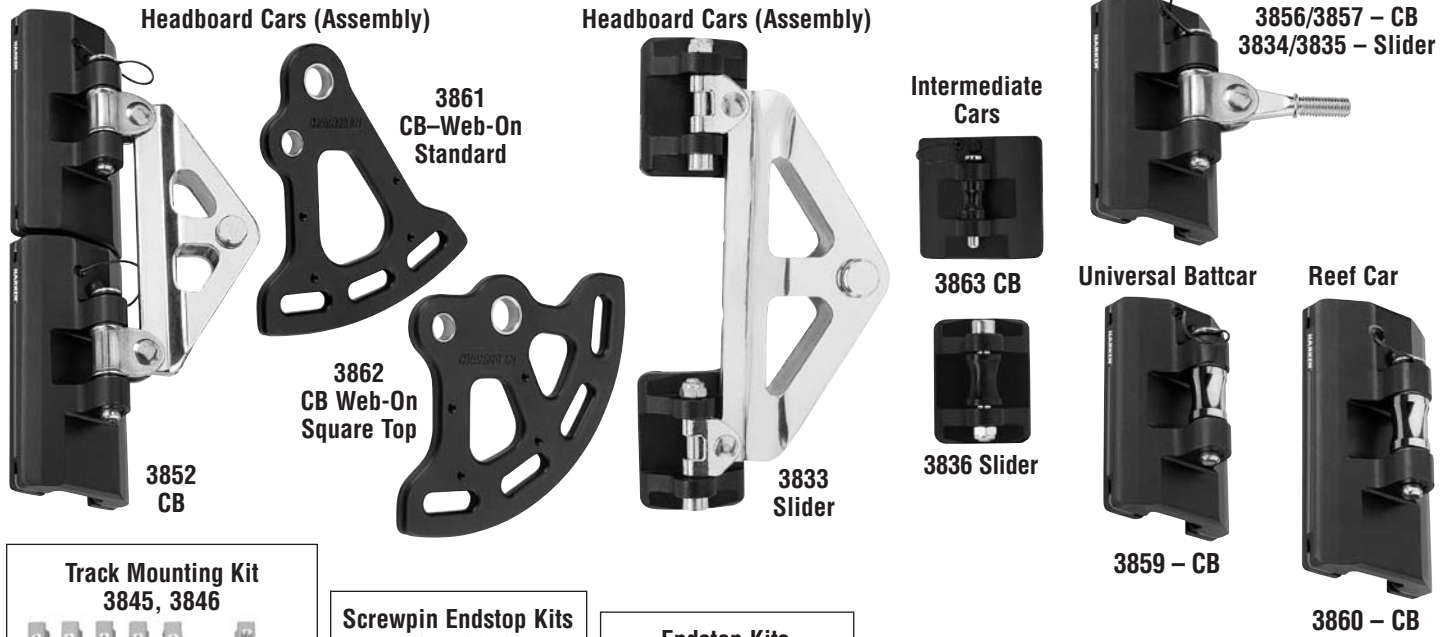
**HARKEN<sup>®</sup>**

**Battcar Installation Manual**  
**System B CB – 10mm Clevis Pin**  
**System B Slider Cars**



**WARNING!** *Strictly follow all instructions to avoid an accident, damage to your vessel, personal injury or death. See [www.harken.com](http://www.harken.com) for additional safety information.*

Thank you for purchasing Harken's B Battcar system. Please read manual *before* assembling system.



**CB System Parts**

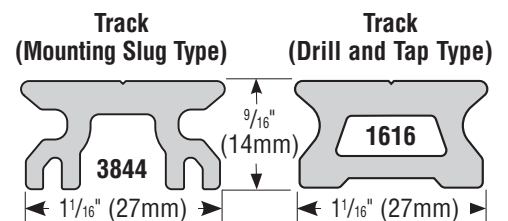
CB System Part No.	Description	Comments
3861	Standard web-on headboard	See sailmaker instructions, page 12 - 14
3862	Square top web-on headboard	See sailmaker instructions, page 12 - 14

**CB/Slider Parts**

CB System Part No.	Slider System Part No.	Description	Comments
3852	3833	Headboard cars	3852 must use 3861 or 3862 headboard.
3863	3836	Intermediate cars	If battens are close enough intermediate cars are not needed.
3856	3834	Batten car	10mm Threaded stud. Purchase batten receptacle separately.
3857	3835	Batten car	12mm Threaded stud. Purchase batten receptacle separately.
3859	—	Universal Battcar	Purchase batten receptacle and threaded stud separately.
3860	—	Reef Tack car	Double up track screws at reefed car position.

**Track and Accessories**

Part No.	Description	Includes
3845, 3846	Track Mounting Kit	(a) 19 mounting slugs 7/8" (22mm); (b) 1 connector slug 3" (76mm); (c) 2 Tubes Blue Loctite®; (d) 21 HFS321 Flathead screws 6 x 20mm.
3847, 3848	Screwpin Endstop Kit	(c) 1 tube blue Loctite®, (f) 1 top stop slug 1 7/16" (36mm); (g) 3 HFS321 flathead screws 6 x 20mm; (h) 2 HFS1037 flathead screws 6 x 30mm; (i) 2 mounting slugs 7/8" (22mm); (j) 1 top endstop 1522A; (k) pin stop; (l) 1 end track
3850, 3851	Endstop Kit	(c) 1 tube blue Loctite®, (f) 2 stop slugs 1 7/16" (36mm); (h) 4 HFS1037 flathead screws 6 x 30mm; (j) 2 endstops 1522A
3844	Track (slug type)	Section length: 6' 9 1/8" (2.06m). Number of track sections depends on luff length of your mainsail.
1616	Track (drill and tap type)	Use for masts without grooves or when slugs will not fit. Purchase stainless steel 1/4" (6mm) screws separately. Do not use 3844 track. It requires mounting slugs. See page 8 for drill/tap sizes and mounting instructions.



**Sizing**

Make sure that you have the correct size battcar system for your boat.

Maximum Sail Area Monohull	Maximum Sail Area Multihull	Part No. Headboard Cars	Part No. Battcars	Part No. Intermediate Cars
<b>CB System</b>				
900 ft <sup>2</sup> 83 m <sup>2</sup>	700 ft <sup>2</sup> 65 m <sup>2</sup>	3852	3856, 3857	3863
<b>Slider System</b>				
900 ft <sup>2</sup> 83 m <sup>2</sup>	700 ft <sup>2</sup> 65 m <sup>2</sup>	3833	3834, 3835	3836

**Sail Modifications** (See page 12)

**CB Headboard**

Web on headboard.

**Slider Headboard**

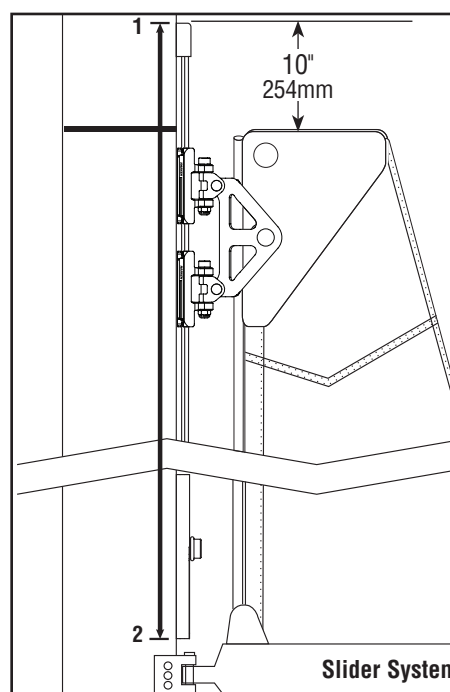
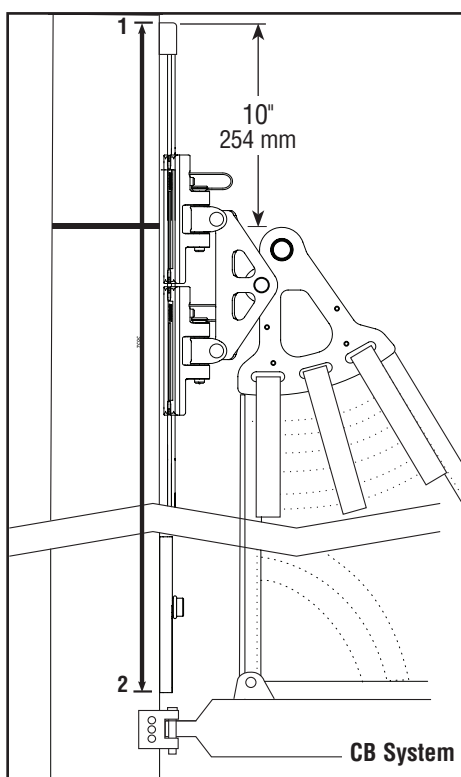
Drill holes in headboard for new halyard location and coupler attachment. See page 13.

Batten receptacle on sail to accept 10 mm or 12 mm threaded stud. **Note:** Harken does not supply receptacle.

Becket spacer on sail for 3863 (CB) or 3836 (slider) intermediate cars.

**CB/Slider Systems**

**Track Length**



**Number of Track Sections**

Bottom endstop track and variable length top track included.

Track Length	Number of 6'9 <sup>1</sup> / <sub>8</sub> " (2.06m) Track Sections
41'6" to 48'2" 12.649m to 14.681m	7
48'3" to 54'11" 14.707m to 16.739m	8
55'0" to 61'8" 16.764m to 18.796m	9
61'9" to 68'5" 18.821m to 20.853m	10
68'6" to 75'2" 20.879m to 22.911m	11

**Determine Track Length**

Measure track length from point 1 to point 2. See diagram at left. Use this measurement in two charts to follow.

**1. Upper End**—10" (254 mm) above black band. Track is longer than sail luff length to allow for stretch as sail ages. Track *must not* block halyard exit.

**2. Lower End, Using 3847, 3848**—Bottom of track will be approximately 3/8" (10 mm) above gooseneck fitting. When installed, track should be as low as possible yet you should still be able to install long headboard cars. Test measurement by using long headboard car. See photo above.

**3850, 3851 Endstop Kit**—Cut a 9 3/8" (238 mm) piece from finished end of one of the 6'9 1/8" (2.06 m) 3844 tracks. You will remove this track when loading cars so it can be lower on mast. **See page 7, step 11.** Drill lower hole for stop. **See page 5, step 3.**

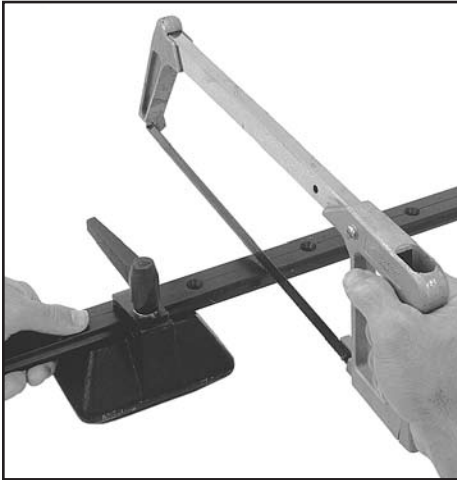
Round track length to nearest 1" (25 mm).

**NOTE:** Chart is based on using a 9<sup>3</sup>/<sub>8</sub>" (238 mm) or 9<sup>1</sup>/<sub>2</sub>" (241 mm) lower end track.

Total Track Length (as defined on page 3)									Top Track Length	
41' 6"	12.649 m	48' 3"	14.707 m	55' 0"	16.764 m	61' 9"	18.821 m	68' 6"	20.879 m	1 <sup>1</sup> / <sub>2</sub> " 38 mm
41' 7"	12.675 m	48' 4"	14.732 m	55' 1"	16.789 m	61' 10"	18.847 m	68' 7"	20.904 m	2 <sup>3</sup> / <sub>8</sub> " 60 mm
41' 8"	12.700 m	48' 5"	14.757 m	55' 2"	16.815 m	61' 11"	18.872 m	68' 8"	20.930 m	3" 76 mm
41' 10"	12.751 m	48' 7"	14.808 m	55' 4"	16.866 m	62' 1"	18.923 m	68' 10"	20.980 m	5" 127 mm
42' 0"	12.802 m	48' 9"	14.859 m	55' 6"	16.916 m	62' 3"	18.974 m	69' 0"	21.031 m	7" 178 mm
42' 2"	12.852 m	48' 11"	14.910 m	55' 8"	16.967 m	62' 5"	19.025 m	69' 2"	21.082 m	9" 229 mm
42' 4"	12.903 m	49' 1"	14.961 m	55' 10"	17.018 m	62' 7"	19.075 m	69' 4"	21.133 m	11" 279 mm
42' 6"	12.954 m	49' 3"	15.011 m	56' 0"	17.069 m	62' 9"	19.126 m	69' 6"	21.184 m	1' 1" 330 mm
42' 8"	13.005 m	49' 5"	15.062 m	56' 2"	17.120 m	62' 11"	19.177 m	69' 8"	21.234 m	1' 3" 381 mm
42' 10"	13.056 m	49' 7"	15.113 m	56' 4"	17.170 m	63' 1"	19.228 m	69' 10"	21.285 m	1' 5" 432 mm
43' 0"	13.106 m	49' 9"	15.164 m	56' 6"	17.221 m	63' 3"	19.279 m	70' 0"	21.336 m	1' 7" 483 mm
43' 2"	13.157 m	49' 11"	15.215 m	56' 8"	17.272 m	63' 5"	19.329 m	70' 2"	21.387 m	1' 9" 533 mm
43' 4"	13.208 m	50' 1"	15.265 m	56' 10"	17.323 m	63' 7"	19.380 m	70' 4"	21.438 m	1' 11" 584 mm
43' 6"	13.259 m	50' 3"	15.316 m	57' 0"	17.374 m	63' 9"	19.431 m	70' 6"	21.488 m	2' 1" 635 mm
43' 8"	13.310 m	50' 5"	15.367 m	57' 2"	17.424 m	63' 11"	19.482 m	70' 8"	21.539 m	2' 3" 686 mm
43' 10"	13.360 m	50' 7"	15.418 m	57' 4"	17.475 m	64' 1"	19.533 m	70' 10"	21.590 m	2' 5" 737 mm
44' 0"	13.411 m	50' 9"	15.469 m	57' 6"	17.526 m	64' 3"	19.583 m	71' 0"	21.641 m	2' 7" 787 mm
44' 2"	13.462 m	50' 11"	15.519 m	57' 8"	17.577 m	64' 5"	19.634 m	71' 2"	21.692 m	2' 9" 838 mm
44' 4"	13.513 m	51' 1"	15.570 m	57' 10"	17.628 m	64' 7"	19.685 m	71' 4"	21.742 m	2' 11" 889 mm
44' 6"	13.564 m	51' 3"	15.621 m	58' 0"	17.678 m	64' 9"	19.736 m	71' 6"	21.793 m	3' 1" 940 mm
44' 8"	13.614 m	51' 5"	15.672 m	58' 2"	17.729 m	64' 11"	19.787 m	71' 8"	21.844 m	3' 3" 991 mm
44' 10"	13.665 m	51' 7"	15.723 m	58' 4"	17.780 m	65' 1"	19.837 m	71' 10"	21.895 m	3' 5" 1.041 m
45' 0"	13.716 m	51' 9"	15.773 m	58' 6"	17.831 m	65' 3"	19.888 m	72' 0"	21.946 m	3' 7" 1.092 m
45' 2"	13.767 m	51' 11"	15.824 m	58' 8"	17.882 m	65' 5"	19.939 m	72' 2"	21.996 m	3' 9" 1.143 m
45' 4"	13.818 m	52' 1"	15.875 m	58' 10"	17.932 m	65' 7"	19.990 m	72' 4"	22.047 m	3' 11" 1.194 m
45' 6"	13.868 m	52' 3"	15.926 m	59' 0"	17.983 m	65' 9"	20.041 m	72' 6"	22.098 m	4' 1" 1.245 m
45' 8"	13.919 m	52' 5"	15.977 m	59' 2"	18.034 m	65' 11"	20.091 m	72' 8"	22.149 m	4' 3" 1.295 m
45' 10"	13.970 m	52' 7"	16.027 m	59' 4"	18.085 m	66' 1"	20.142 m	72' 10"	22.200 m	4' 5" 1.346 m
46' 0"	14.021 m	52' 9"	16.078 m	59' 6"	18.136 m	66' 3"	20.193 m	73' 0"	22.250 m	4' 7" 1.397 m
46' 2"	14.072 m	52' 11"	16.129 m	59' 8"	18.186 m	66' 5"	20.244 m	73' 2"	22.301 m	4' 9" 1.448 m
46' 4"	14.122 m	53' 1"	16.180 m	59' 10"	18.237 m	66' 7"	20.295 m	73' 4"	22.352 m	4' 11" 1.499 m
46' 6"	14.173 m	53' 3"	16.231 m	60' 0"	18.288 m	66' 9"	20.345 m	73' 6"	22.403 m	5' 1" 1.549 m
46' 8"	14.224 m	53' 5"	16.281 m	60' 2"	18.339 m	66' 11"	20.396 m	73' 8"	22.454 m	5' 3" 1.600 m
46' 10"	14.275 m	53' 7"	16.332 m	60' 4"	18.390 m	67' 1"	20.447 m	73' 10"	22.504 m	5' 5" 1.651 m
47' 0"	14.326 m	53' 9"	16.383 m	60' 6"	18.440 m	67' 3"	20.498 m	74' 0"	22.555 m	5' 7" 1.702 m
47' 2"	14.376 m	53' 11"	16.434 m	60' 8"	18.491 m	67' 5"	20.549 m	74' 2"	22.606 m	5' 9" 1.753 m
47' 4"	14.427 m	54' 1"	16.485 m	60' 10"	18.542 m	67' 7"	20.599 m	74' 4"	22.657 m	5' 11" 1.803 m
47' 6"	14.478 m	54' 3"	16.535 m	61' 0"	18.593 m	67' 9"	20.650 m	74' 6"	22.708 m	6' 1" 1.854 m
47' 8"	14.529 m	54' 5"	16.586 m	61' 2"	18.644 m	67' 11"	20.701 m	74' 8"	22.758 m	6' 3" 1.905 m
47' 10"	14.580 m	54' 7"	16.637 m	61' 4"	18.694 m	68' 1"	20.752 m	74' 10"	22.809 m	6' 5" 1.956 m
48' 0"	14.630 m	54' 9"	16.688 m	61' 6"	18.745 m	68' 3"	20.803 m	75' 0"	22.860 m	6' 7" 2.007 m
48' 2"	14.681 m	54' 11"	16.739 m	61' 8"	18.796 m	68' 5"	20.853 m	75' 2"	22.911 m	6' 9 <sup>1</sup> / <sub>8</sub> " 2.060 m

## CB/Slider Systems

## Cut Top Track to Length

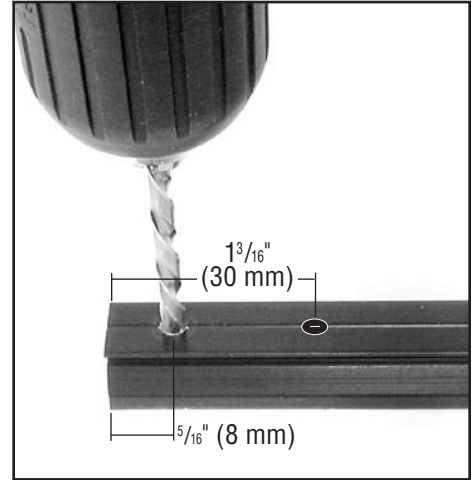


**1.** Cut special length top track from 6'9 1/8" (2.06m) track.



**2.** Deburr cut.

Slightly round track corners that will slide against mast.



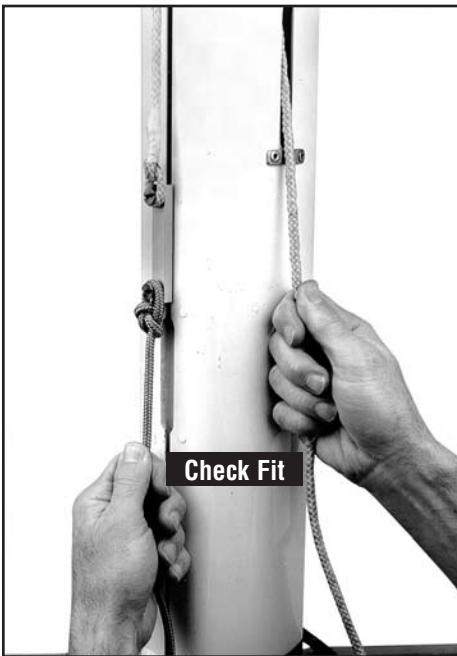
**3.** Drill two 17/64" (6.5mm) holes in cut end of track. Center at 5/16" (8mm) and 1 3/16" (30mm)

### Short top track lengths

1 1/2" (38mm)	Use existing hole. Do not drill second hole.
2 3/8" (60mm)	Use existing hole, drill hole 5/16" (8mm) from cut end.

## CB/Slider Systems

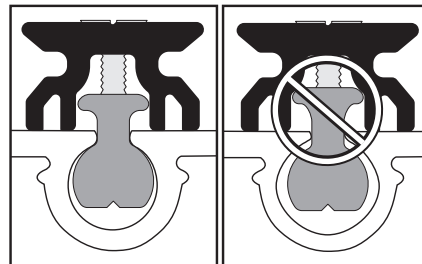
## Check Fit of Mounting Slugs & Car



3" (76mm) connector slug must fit feeder opening. File opening to make longer.

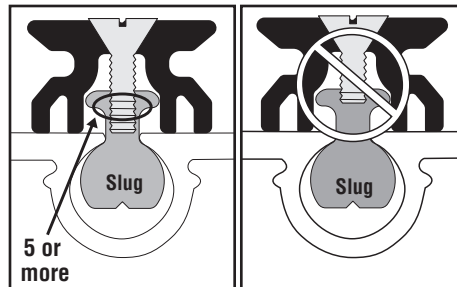
Use halyard with retrieval line to run 3" (76mm) connector slug up mast to check for burrs in groove.

**Mast prebend:** May require straightening before installation.



**Test track:** Put mounting slug in groove, track section on mast. Tighten with screw.

Mounting screw must be long enough for mast groove. If necessary, purchase longer screws.



**Warning!** Avoid personal injury or death. Screws need minimum 5 threads (turns) engaged to hold track to mast.

Turn screw 360° five times after threads engage slug.



Cars must clear storm trysail track. Tracks often converge above spreaders.

Aft face of mast must be flat or convex.



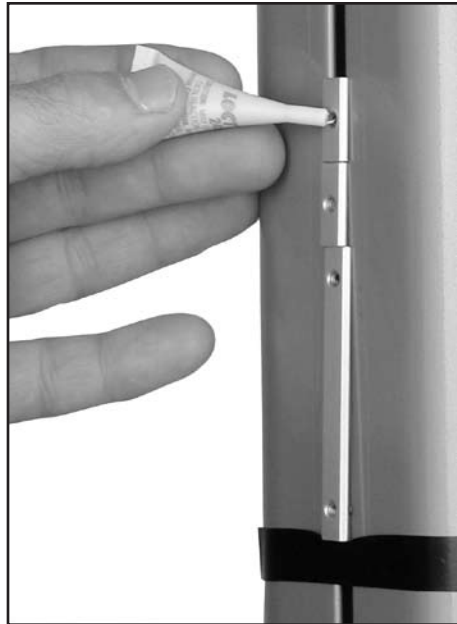


1. Slip top track slugs into mast groove. Use 1<sup>7</sup>/<sub>16</sub>" (36mm) mounting slug for top stop.

Short top track lengths	Top slug
1 <sup>1</sup> / <sub>2</sub> " (38 mm)	3" (76 mm)
2 <sup>3</sup> / <sub>8</sub> " (60 mm)	7 <sup>7</sup> / <sub>8</sub> " (22 mm)

Install 3" (76 mm) connector slug at bottom.

**Mast up:** Tape 1<sup>7</sup>/<sub>16</sub>" (36 mm) slug even with top of upper track. Tape other slugs in place.

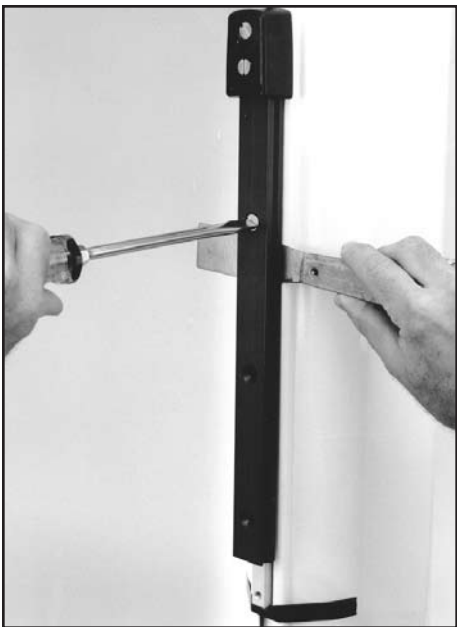


2. One drop blue Loctite® into each connector slug hole.



3. Thread a 6 x 30 mm screw through endstop, track, and into endstop slug.

Short top track lengths	
1 <sup>1</sup> / <sub>2</sub> " (38mm)	Use one screw in stop
2 <sup>3</sup> / <sub>8</sub> " (60mm)	Use both screws



4. Slide slugs into place with putty knife. Loosely install 6 x 20mm screws.

**Mast up:** Remove tape.

**TIP:** Use putty knife to see if screws are loose enough to slide in groove.

**REMEMBER:** Tracks may stick when reaching a spliced area on mast.



5. Loosen top screw. Slide top track up and position next 6'9<sup>1</sup>/<sub>8</sub>" (2.06m) track.

**Mast up:** Tighten bottom screw to hold track.



6. Slide 19 mounting slugs and connector slug into mast groove.

**Mast up:** Tape in place.

Put one drop blue Loctite® into each hole.



**7.** Hold full-length track piece up to mast. Loosely install top screw.

Use putty knife to slide additional slugs and connector slug into place. Loosely install all nineteen 6 x 20mm screws.

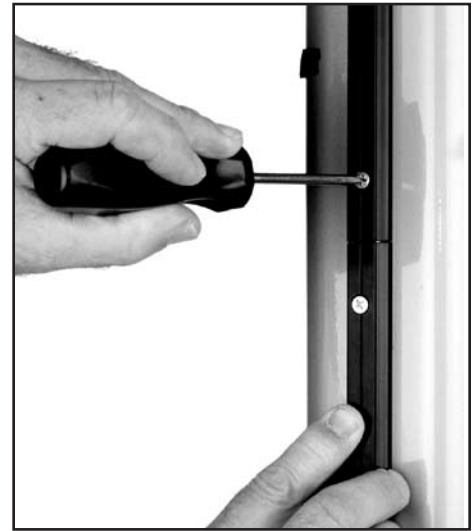


**8.** Slide tracks up enough to fit next track.

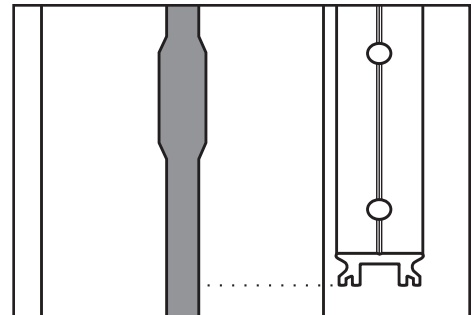
**Mast up:** Hold upper tracks. Loosen screw that holds tracks. Slide track up. If screws bind in mast groove opening, loosen them until track slides. Tighten new bottom screw securely.



**CAUTION!** Do not let tracks drop. Severe injury to hands and/or fingers can result.



**9.** Repeat until full-length tracks installed.



**NOTE:** If bottom full-length track blocks feeder gap, load bottom track slugs before installing track.



**10.** Raise tracks so 9 1/2" (241mm) bottom feeder track fits.

**11.** Install bottom feeder track with stop.



**3850, 3851 Endstop Kit**—leave bottom 9 3/8" (238mm) track off until cars are installed.

## Required Parts

### 1616 Track

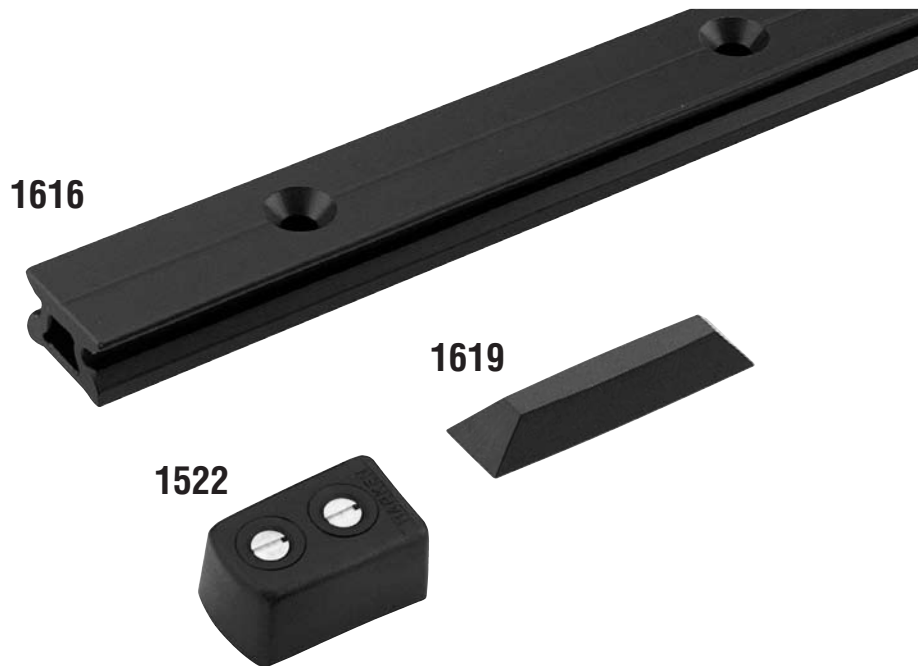
Determine Track Length.

Bottom track must be short enough to remove easily. Use 18" to 24" (457mm to 609 mm) length. Do not use 3844 track for drilling and tapping.

**1/4" (6mm) Flathead Screws (not included)** 10 fasteners/meter of track

### 1619 Splices

### 1522 Endstop Set

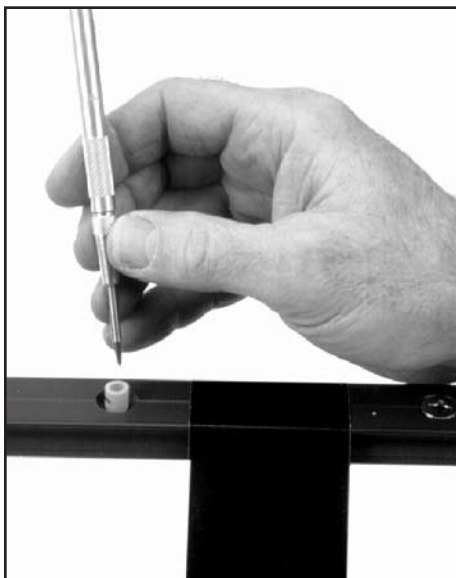


	Drill and Tap sizes	
	U.S. Imperial	Metric
Drill	13/64"	5mm
Tap	1/4-20	m6 x 1

## Removing Old Track

**Track on mast:** Before removing, scribe pencil line down either side of track.

**Track off mast:** Attach string to mast to line up track during installation.



**1.** Drilling, tapping, screwing: Start at one end of track and work down: Do not drill and tap from both track ends

Clamp or duct tape track on mast. Center punch hole in center of track hole.

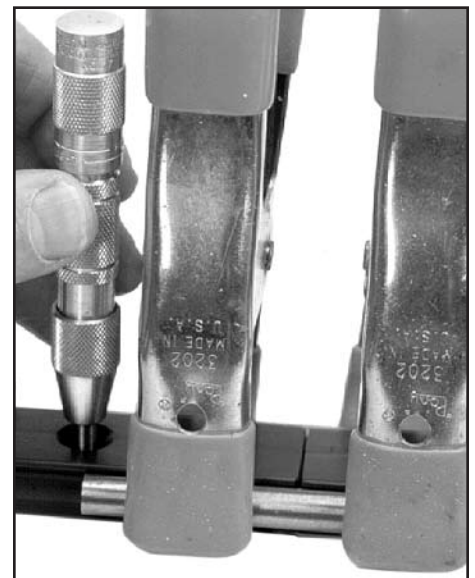
**TIP:** Use narrow shaft spring-loaded machinist's center punch with plastic centering tube or transfer punch.



**2.** Drill track hole, holding drill perpendicular to mast face. Tap threads and install screws using blue Loctite®.

**TIP:** Use low speed drill with tap for cutting threads.

**IMPORTANT:** Use blue Loctite® instead of oil for tapping lubricant.



**3.** Align track at joints: Use 1619 splice pieces and round rods or dowels to align track during installation. Hold in place with spring or "C" clamps until track is secured.

Load all cars before installing bottom track and endstop.



**IMPORTANT:** To keep balls captive we recommend loading cars onto track without sail installed. Chart below shows correct number of balls for each car.



**1. Headboard car:** Hold car so clevis pin head faces up. Align car on guide section of loader track and gently roll onto upper tracks. If cars stick, realign and roll onto track.



**2. Load intermediate car (if used).** Alternate with batten cars until all cars are loaded.

**Mast up:** Use halyard to hold cars.



**3. Install pinstop.**



**3850, 3851 Endstop Kit—** Remove bottom 9½" (241mm) track and install cars.

**TIP:** Use halyard to hold cars up

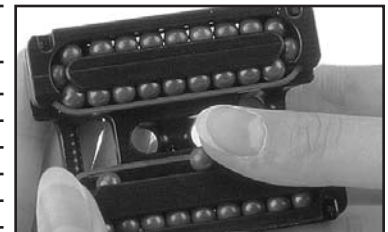
**TIP:** To load headboard car assembly, angle headboard coupler. Roll car onto tracks. If necessary, remove headboard assembly.

CB System

Lost Balls

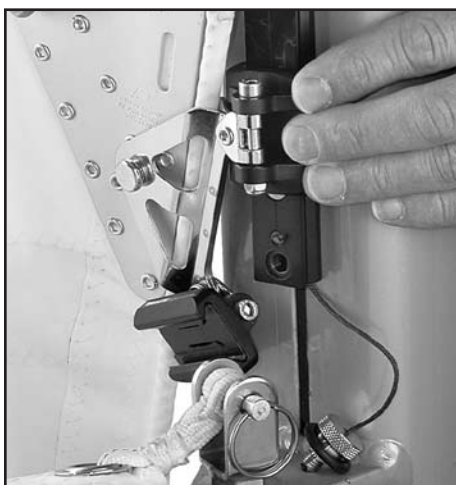
Consult ball chart below to find number of balls for each car. To load balls, place car on edge with retaining clip in place. Insert balls one-by-one from center of clip and roll into return race. **Do not overfill car.**

Part Number	Car Type	Length		Color	Bearing Material	Quantity per Car	Part No.	Balls/Set	Ball ø	
		in	mm						in	mm
3852	Headboard Cars (2)	5 <sup>5</sup> / <sub>16</sub>	132	Brown	Torlon®	60	1526	25	5 <sup>5</sup> / <sub>16</sub>	8
3863	Intermediate Car	2 <sup>9</sup> / <sub>16</sub>	68	Brown	Torlon®	28	1526	25	5 <sup>5</sup> / <sub>16</sub>	8
3856	Battcar w/10mm Threaded Stud	4 <sup>1</sup> / <sub>4</sub>	108	Brown	Torlon®	40	1526	25	5 <sup>5</sup> / <sub>16</sub>	8
3857	Battcar w/12mm Threaded Stud	4 <sup>1</sup> / <sub>4</sub>	108	Brown	Torlon®	40	1526	25	5 <sup>5</sup> / <sub>16</sub>	8
3859	Universal Car	4 <sup>1</sup> / <sub>4</sub>	108	Brown	Torlon®	40	1526	25	5 <sup>5</sup> / <sub>16</sub>	8
3860	Reef Car	5 <sup>5</sup> / <sub>16</sub>	132	Brown	Torlon®	60	1526	25	5 <sup>5</sup> / <sub>16</sub>	8



Slider System

Load Cars on Track



Slider cars can be loaded onto tracks with or without sail attached.

Line up car on guide portion of loader. Press car towards mast and slide car onto track. Begin with upper cars and work down.

**TIP:** To load headboard car assembly, angle headboard. Roll car onto tracks. If necessary, remove headboard assembly.

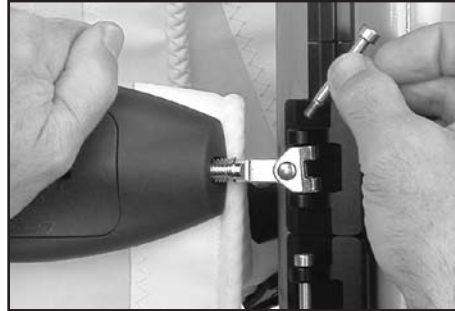




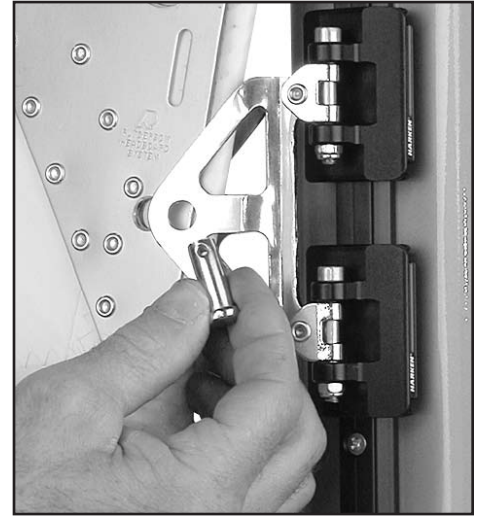
1. Beginning with lower cars, use 5mm allen wrench and 10mm wrench or nut driver to attach sail to cars. Tighten locknut until bottom tip of fastener is flush with nut.



2. Screw threaded stud to terminal.



3. Load toggle using 5mm allen wrench and 10 mm wrench or nut driver. Tighten locknut. **Do not over tighten.** Make sure toggle can pivot.



4. Attach head of sail to headboard car with clevis pin and cotter pin.

## CB System

## Load Sail on Cars

Attach sail to system beginning with lowest car. Line up toggle and insert clevis pin.

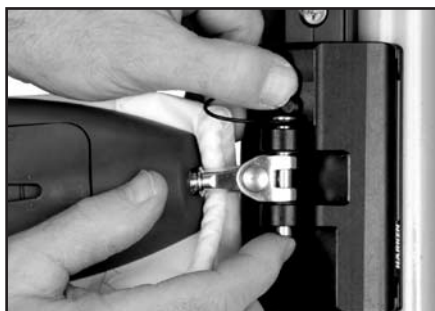
If it is a “no wind” day, start at headboard and hoist mainsail as you attach sail to cars.



## CB System

## Removing Sail

Press quick release button and push up on bottom of pin. Remove clevis pin.



## Slider System

## Removing Sail

If your system has slider battcars without ball bearings, leave slides attached and slide cars off, beginning at the bottom.



## CB System

## Battcar Operating Precautions

When lowering sail, do not let halyard go. Ease cars down by keeping a wrap on winch.

On boats with unstayed masts, vang must be used to prevent over rotation of upper part of sail. Over rotation can damage batten receptacles.

## CB System

## Car Maintenance

Clean beginning of season, or if cars bind. Squirt detergent and water into ball bearings. Circulate by moving cars up and down. Let stand. To remove detergent, spray water into ball bearings and circulate. Clean tracks with detergent and water.

For thorough cleaning, remove sail then remove cars from track. Clean as above. Once dry, apply a single drop of McLube™ ball conditioner. Circulate balls using a small screwdriver.

Inspect Battcar fittings for loose locknuts. Replace. Inspect batten receptacles for loose screws.



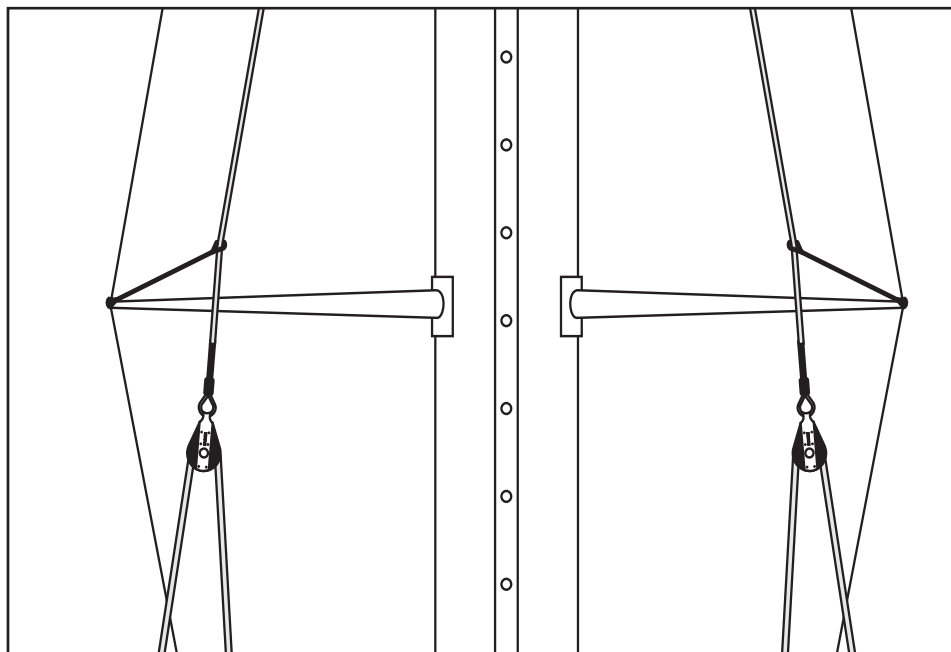
## CB/Slider Systems

## Lazy Jacks

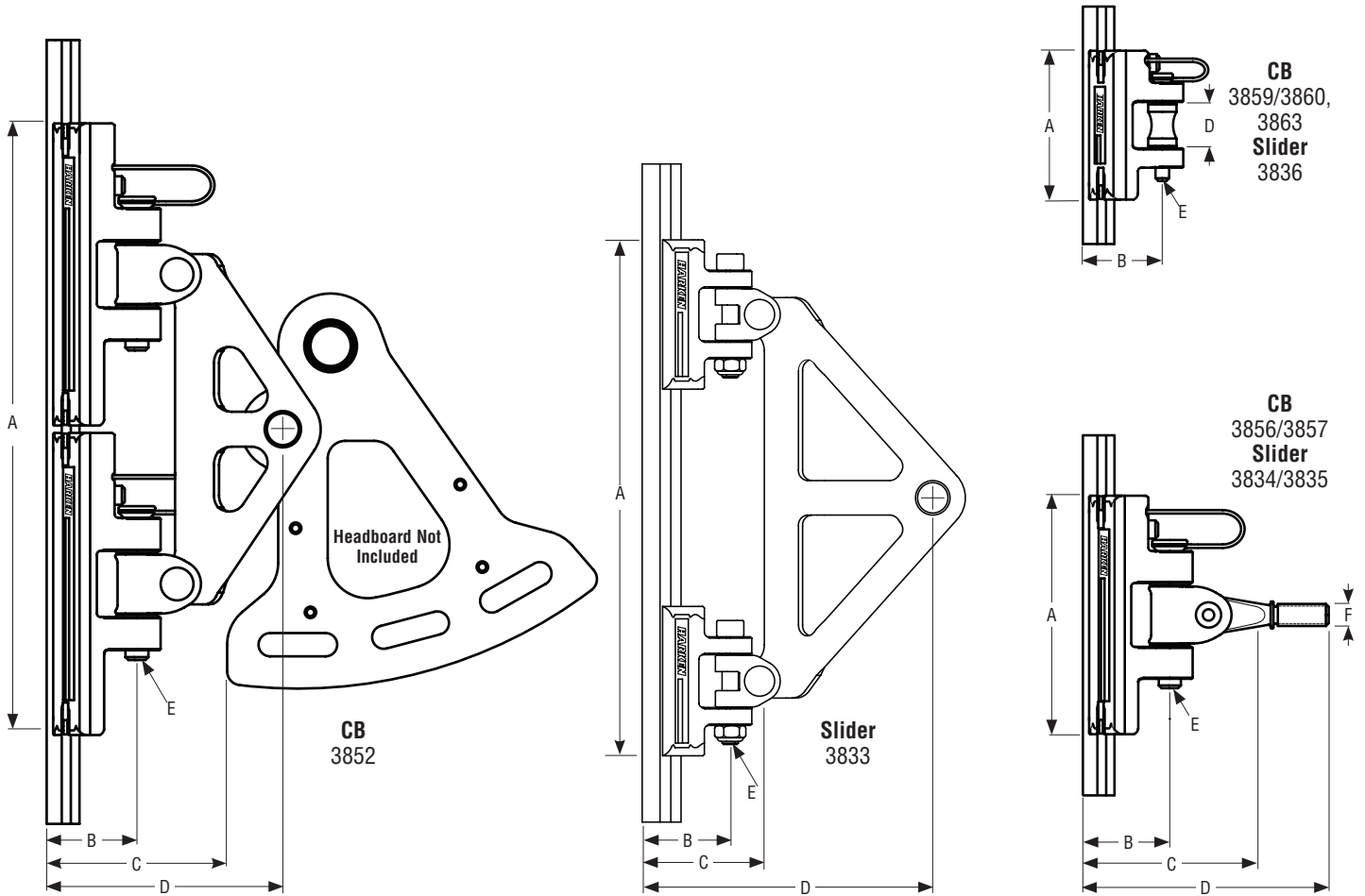
Use shock cord to hold lazy jacks open so battcars and battens will not catch on them. This will also help stop slapping of lazy jacks on sail.

Attach one end to lower spreader tips and the other to lazy jacks.

Make sure shock cord is long enough so boom can swing out all the way without damaging spreaders.



## Lazy Jacks

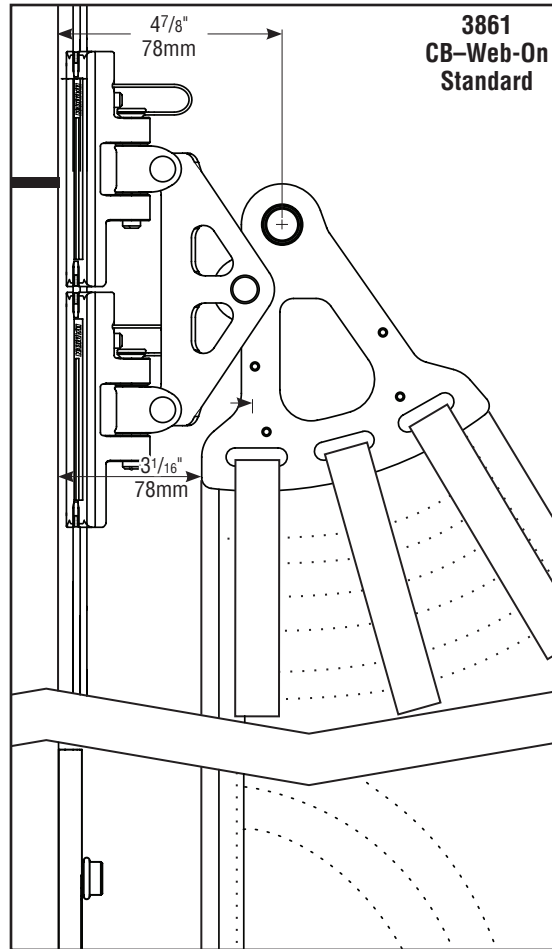


**Dimensions (measured from aft face of mast)**

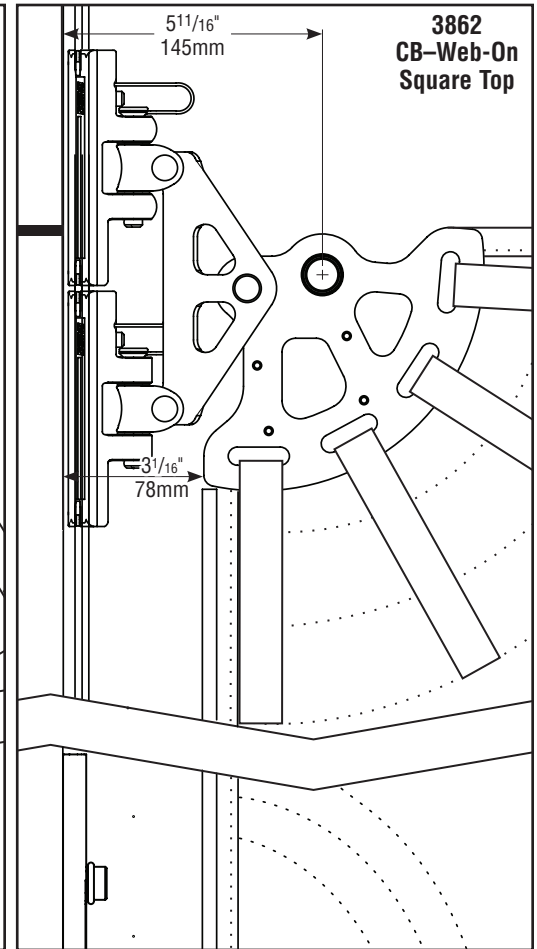
Part No.	Description	A		B		C		D		E		F
		in	mm	in	mm	in	mm	in	mm	Pin Ø	Stud Ø	
<b>System B CB</b>												
3852	Headboard car assembly	10 <sup>1</sup> / <sub>2</sub>	267	1 <sup>9</sup> / <sub>16</sub>	39	3 <sup>1</sup> / <sub>16</sub>	78	4 <sup>1</sup> / <sub>16</sub>	102	3 <sup>8</sup> / <sub>16</sub>	10	—
3863	Intermediate car	2 <sup>9</sup> / <sub>16</sub>	68	1 <sup>9</sup> / <sub>16</sub>	39	—	—	3 <sup>4</sup> / <sub>16</sub>	19	1 <sup>4</sup> / <sub>16</sub>	6	—
3856	Battcar/10mm stud	4 <sup>1</sup> / <sub>4</sub>	109	1 <sup>9</sup> / <sub>16</sub>	39	3 <sup>1</sup> / <sub>16</sub>	78	4 <sup>3</sup> / <sub>8</sub>	111	3 <sup>8</sup> / <sub>16</sub>	10	10
3857	Battcar/12mm stud	4 <sup>1</sup> / <sub>4</sub>	108	1 <sup>9</sup> / <sub>16</sub>	39	3 <sup>1</sup> / <sub>16</sub>	78	4 <sup>3</sup> / <sub>8</sub>	111	3 <sup>8</sup> / <sub>16</sub>	10	12
3859	Universal Battcar	4 <sup>1</sup> / <sub>4</sub>	108	1 <sup>9</sup> / <sub>16</sub>	39	—	—	1	26	3 <sup>8</sup> / <sub>16</sub>	10	—
3860	Reef car	5 <sup>5</sup> / <sub>16</sub>	132	1 <sup>9</sup> / <sub>16</sub>	39	—	—	1	26	3 <sup>8</sup> / <sub>16</sub>	10	—
<b>System B Slider</b>												
3833	Headboard car assembly	7 <sup>1</sup> / <sub>2</sub>	190	1 <sup>1</sup> / <sub>4</sub>	32	2 <sup>1</sup> / <sub>4</sub>	57	4 <sup>3</sup> / <sub>16</sub>	107	1 <sup>4</sup> / <sub>16</sub>	6	—
3834	Battcar/10mm stud	2 <sup>9</sup> / <sub>16</sub>	56	1 <sup>1</sup> / <sub>4</sub>	32	2 <sup>1</sup> / <sub>4</sub>	57	3 <sup>9</sup> / <sub>16</sub>	91	1 <sup>4</sup> / <sub>16</sub>	6	10
3835	Battcar/12mm stud	2 <sup>9</sup> / <sub>16</sub>	56	1 <sup>1</sup> / <sub>4</sub>	32	2 <sup>1</sup> / <sub>4</sub>	57	3 <sup>7</sup> / <sub>16</sub>	96	1 <sup>4</sup> / <sub>16</sub>	6	12
3836	Intermediate car	2 <sup>9</sup> / <sub>16</sub>	56	1 <sup>1</sup> / <sub>4</sub>	32	—	—	—	—	1 <sup>4</sup> / <sub>16</sub>	6	—

**CB System**

Use 1" (25mm) webbing. Holes in headboard accept 416 16mm cheek blocks for leech line. Use 4mm x 10mm fasteners.



**Installing Headboard Car Assembly**

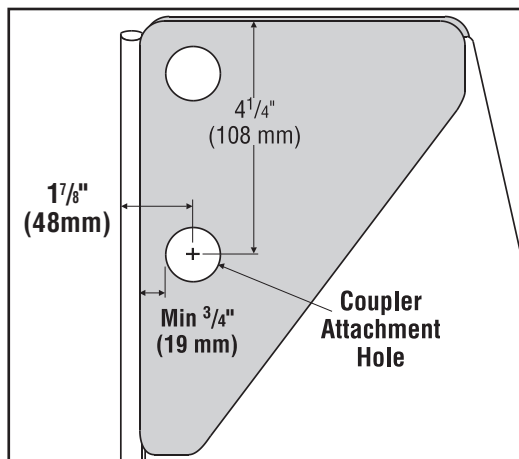


**Slider System**

Headboard coupler attaches to standard headboards —some headboard modification required.

**Maximum thickness of headboard plates and sail: 9/16" (14mm)**

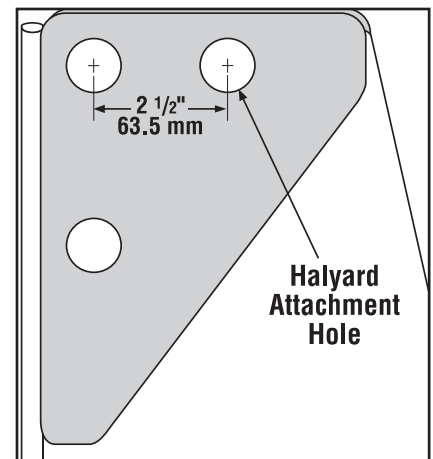
**Installing Headboard Car Assembly**



**Coupler Attachment Hole**

Drill 5/8" (16mm) coupler attachment hole so center is 4 1/4" (108mm) from top of headboard and centered 1 7/8" (48mm) from front edge of boltrope:

Leave at least 3/4" (19mm) between front of headboard plate and front edge of coupler attachment hole.



**Halyard Attachment Hole**

Use aft hole if headboard has two.

If not, drill second hole to accept halyard shackle pin. Locate hole approximately 2 1/2" (63.5mm) aft of existing hole.



### Distance Between Attachment Points

Battens and intermediate cars placed at sailmaker's discretion. Maximum distance between attachment points is 4' to 4'6" (1.2m to 1.35m).

Distance may be slightly greater. Contact Harken to discuss sail reshaping to eliminate luff flutter.

**NOTE:** Adding battens may reduce stack height by eliminating intermediate cars.

### Setting Reef Points

Space reef points halfway between sail attachment points. Battens or reef points may need to be moved. Diagram A

**NOTE:** Batten fittings and cars cannot handle reefing outhaul or downhaul loads. Transfer loads to a tack fitting. Diagram B

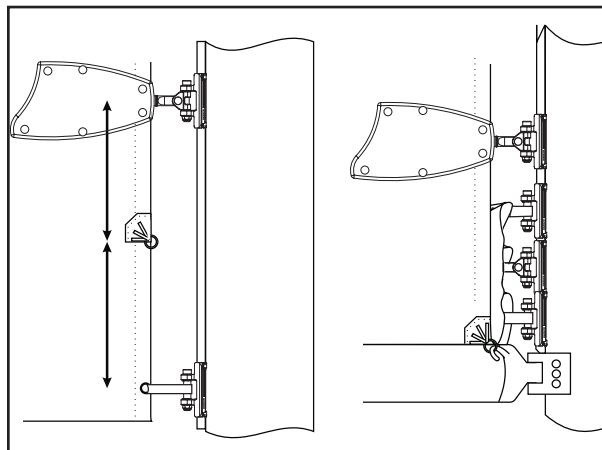
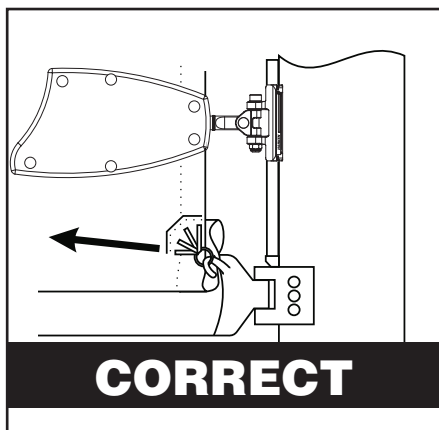
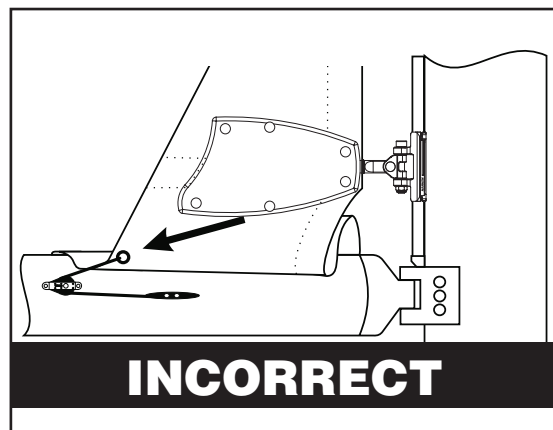


DIAGRAM A



**CORRECT**



**INCORRECT**

DIAGRAM B

### CB/Slider Systems

### Attaching Sail to Intermediate Cars

Sail setback from luff tape to intermediate car clevis pin:

All CB Cars	<b>3863</b>	1½" (38mm)
All Slider Cars	<b>3836</b>	1" (25mm)

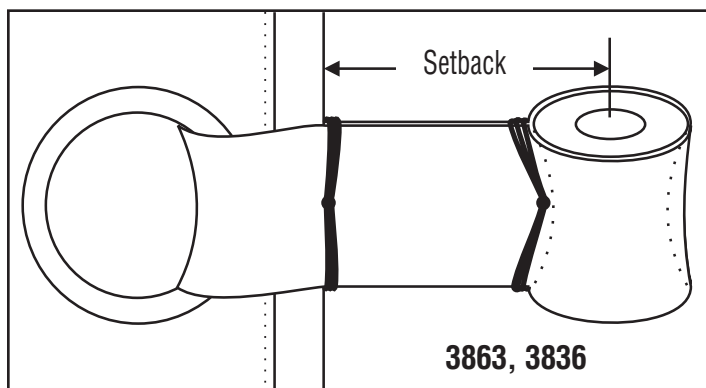
Plastic spacers come with 3839 and 3836 intermediate cars. Seize spacer to webbing by stitching just behind plastic spacer. Seize webbing to sail by stitching up against sail.

#### Combining Intermediate Slider Cars with CB Battcars

Sail setback from luff tape to intermediate car clevis pin:

Slider with CB Cars	<b>3836</b>	1¾" (45mm)
---------------------	-------------	------------

If you **combine** 3836 Slider Intermediate cars with 3856, 3857 CB cars use the **1¾" (45mm)** CB setback shown above.



<b>Problem</b>	<b>Probable Cause</b>	<b>Solution</b>
Tracks do not butt up against each other.	Cut end of top or bottom track is at joint. Track weight pulling tracks apart.	Make sure the anodized end is towards the full length track. Tracks will come together when you loosen the bottom screw and push the tracks up the mast.
Mounting slugs do not fit.	Slugs wrong size.	Different size slug required. Contact your dealer.
Mounting screws will not tighten.	Incorrect mounting slug used.	Different size slug required. Contact your dealer.
Track will not slide up mast.	Slugs catching on mast splice.	Loosen screws slightly. If necessary have someone at splice area to wiggle the slug past the splice.
	Corners of cut track catching.	Use file to round off corners of track.
	Mast has too much prebend.	Ease backstay and/or straighten mast.
	Paint or other material clogging mast groove.	Clean out groove.
CB/Slider cars do not fit on track.	Track and cars are not the same size.	Contact your dealer or Harken.
CB cars do not fit on track.	Balls are missing.	Remove cars, load balls and slide cars back on track.
Sail headboard does not fit inside coupler.	Ring was not pressed far enough.	Take sail to sailmaker.

**Operation Troubleshooting**

<b>Problem</b>	<b>Probable Cause</b>	<b>Solution</b>
Cars bind.	Dirt in cars.	Use detergent and fresh water to flush dirt out of cars; move cars up/down do circulate; follow with high pressure water; clean track grooves.
	Stud threaded too tightly into receptacle.	Back off threaded stud two turns.
	Balls missing from car.	Remove cars, load balls and slide cars back on track.
Nut on Battcar is not holding.	Locknut has been used too many times.	Get new 6 mm locknut.
Batten receptacle does not rotate.	Nuts are too tight.	Loosen nuts slightly.
Cars jam when raising sail.	Headboard or cars are catching on lazy jacks.	Use topping lift or rod vang and shock cord to pull lazy jacks out to shrouds.
Sail will not go all the way up.	Sail is too tall or sheave is too far forward.	Have sail shortened or move sheave aft.
Vertical post or pin on batten receptacle bending.	Reef loads are being transferred to batten receptacle.	Transfer reef downhaul and outhaul loads to mast or boom gooseneck.
Reef tack fitting will not reach reef hook.	Reef point too close to sail attachment.	Move intermediate car sail attachment.

**Maintenance**

Harken® equipment is designed for minimal maintenance, but some maintenance is required for optimum and safest possible operation and to comply with the Harken® limited warranty. In general, the most important aspect of maintenance is to keep your equipment clean by frequently flushing with fresh water.

In corrosive atmospheres, stainless parts may show discoloration around holes, rivets and screws. This is not serious and may be removed with a fine abrasive.

With the exception of winches, do not use grease unless specifically recommended in the instruction sheet.

Flush blocks thoroughly with fresh water. Periodically, disassemble the blocks and clean with detergent and fresh water. Lubrication is not required, but lubricants which will not attract dirt may be used like McLube®.

**Important:** Exposure to some teak cleaners and other caustic solutions can result in discoloration of part and is not covered under the Harken warranty.

**Warranty**

For additional safety, maintenance and warranty information see [www.harken.com](http://www.harken.com) or the Harken® catalog.

# **HARKEN®**

## ***Corporate Headquarters***

1251 East Wisconsin Avenue, Pewaukee, Wisconsin 53072 USA  
Telephone: (262) 691-3320 • Fax: (262) 691-3008 • Cable: Harken Pewaukee  
Web: [www.harken.com](http://www.harken.com) • Online Catalog: [www.harkenstore.com](http://www.harkenstore.com)  
Email: [harken@harken.com](mailto:harken@harken.com)

## ***Harken France***

ZA. Port des Minimes, BP 3064, 17032 - La Rochelle Cedex 1, France  
Telephone: (33) 05.46.44.51.20 • Fax: (33) 05.46.44.25.70  
Web: [www.harken.fr](http://www.harken.fr)  
Email: [harken@harken.fr](mailto:harken@harken.fr)

## ***Harken Italy S.P.A.***

Via Marco Biagi, 14, 22070 Limido Comasco, (CO), Italy  
Telephone: (39) 031.3523511 • Fax: (39) 031.3520031  
Web: [www.harken.it](http://www.harken.it)  
Email: [info@harken.it](mailto:info@harken.it)

## ***Harken UK Ltd.***

Bearing House, Ampress Lane  
Lymington, Hampshire SO41 8LW, England  
Telephone: (44) 01590-689122 • Fax: (44) 01590-610274  
Web: [www.harken.co.uk](http://www.harken.co.uk)  
Email: [enquiries@harken.co.uk](mailto:enquiries@harken.co.uk)

## ***Harken Poland***

ul. Lisa Kuli 4 Lok.1, 01-512 Warszawa, Polska  
Telephone: +48 607 979 747  
Web: [www.harken.com](http://www.harken.com)  
Email: [polska@harken.com](mailto:polska@harken.com)

## ***Harken Sweden***

Mjölkekilsgatan 8, Box 64  
S-440 30 Marstrand, Sweden  
Telephone: (46) 303-618 75 • Fax: (46) 303-618 76  
Web: [www.harken.se](http://www.harken.se)  
Email: [harken@harken.se](mailto:harken@harken.se)

## ***Harken Adriatik d.o.o.***

Obala 107  
6320 Portoroz, Slovenia  
Telephone/Fax: 5-6774122  
Web: [www.harken.si](http://www.harken.si)  
Email: [info@harken.si](mailto:info@harken.si)

## ***Harken Australia, Pty, Ltd.***

1B Green Street  
Brookvale, N.S.W. 2100, Australia  
Telephone: (61) 2-8978-8666 • Fax: (61) 2-8978-8667  
Web: [www.harken.com.au](http://www.harken.com.au)  
Email: [info.harken.com.au](mailto:info.harken.com.au)

## ***Harken New Zealand, Ltd.***

30-36 Fanshawe Street  
Auckland 1001, New Zealand  
Telephone: (64) 9-303-3744 • Fax: (64) 9-307-7987  
Web: [www.harken.co.nz](http://www.harken.co.nz)  
Email: [harken@harken.co.nz](mailto:harken@harken.co.nz)

Please visit: <http://www.harken.com/dealers/dealers.php>  
for an up-to-date list of Harken dealers and distributors