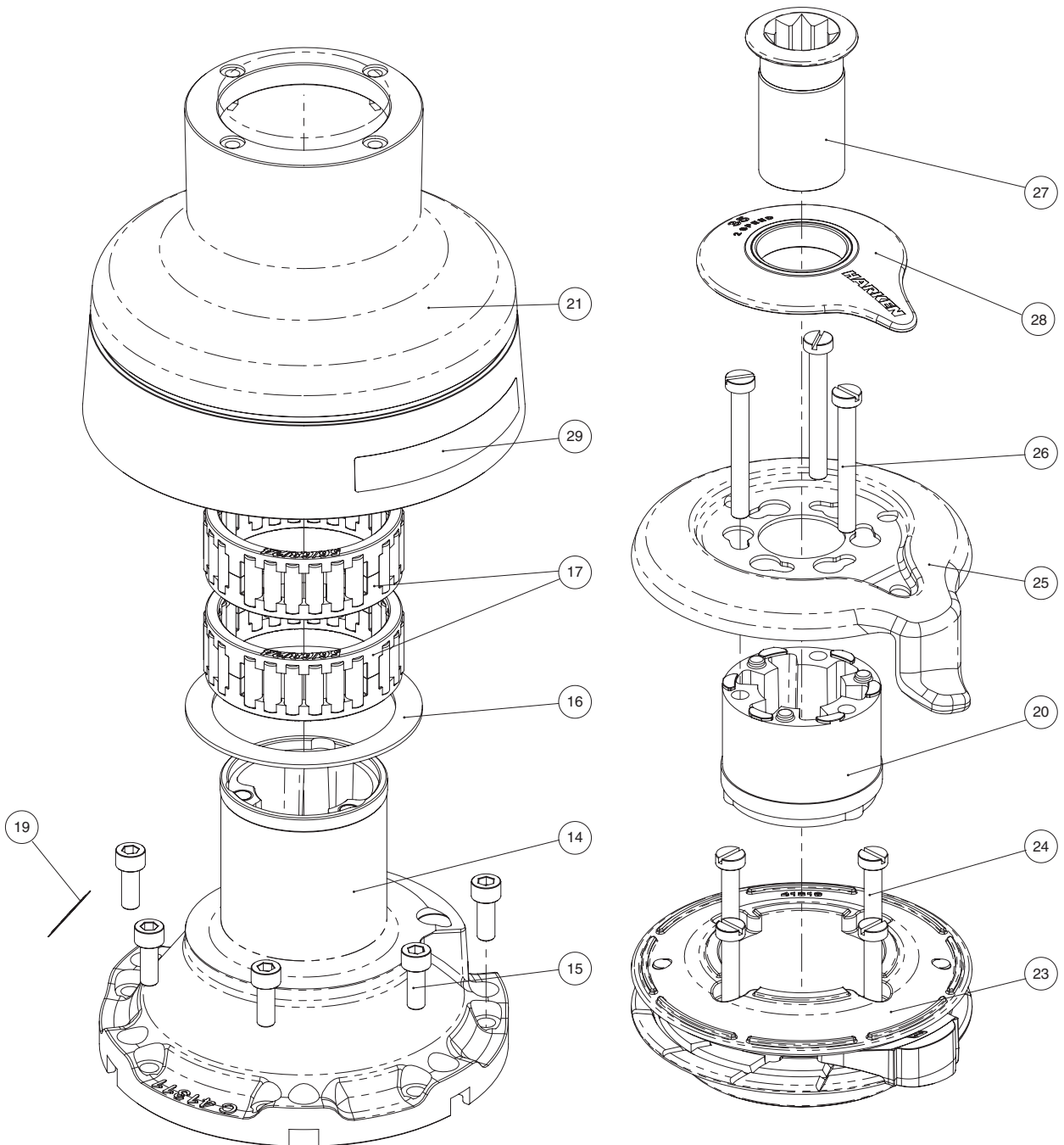
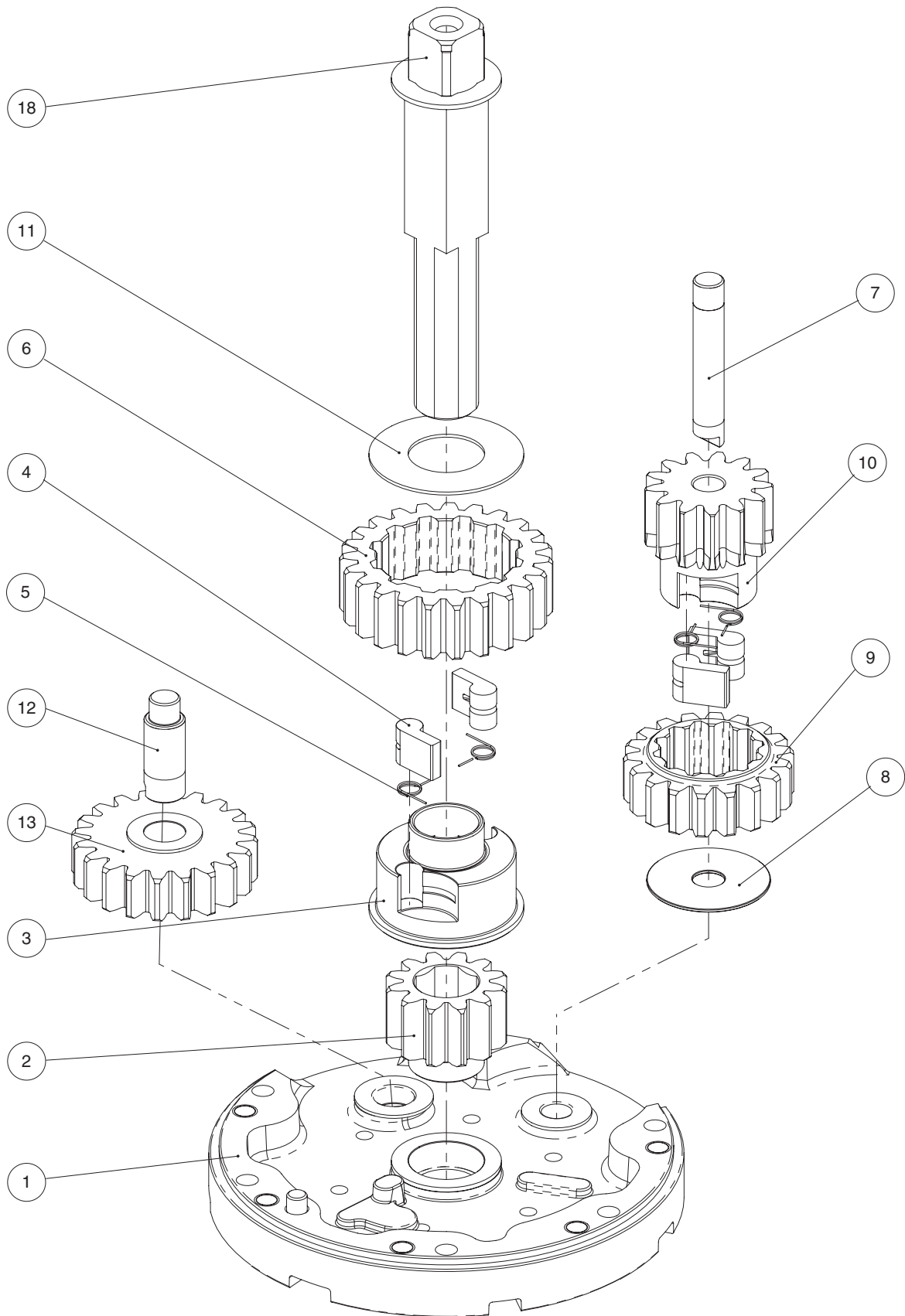


Radial Winch 35.2 STBBB, STCCC



Radial Winch 35.2 STBBB, STCCC

Radial Winch 35.2 STBBB

BBB = all bronze

Pos.	Q.ty	Code	Description	Pos.	Q.ty	Code	Description
1	1	A96633100	PERFORMA Assy Base Winch 35 <i>PERFORMA Base W35 Heli-coil M6x9 Roller Ø6x19</i>	16	1	S413150082	Washer Ø62xØ80x1.5
	1	S413350080	<i>Bushing Ø22xØ25x9.5</i>	17	2	A74136000	Bearing Ø56xØ68x24
	1	S4152300A7	<i>Bushing Ø9xØ11x12</i>	18	1	A94139000	Assy Central Shaft W35/40 <i>Central shaft W35/40 ST Washer Ø17.2xØ32x1.5</i>
	1	S413960085	<i>Bushing Ø12xØ14x11</i>	19	1	S413880002	Winch Serial Number Sticker
	1	S413330085		20	1	S4129400A0	Stripper arm support
2	1	S413020004	Gear Z12	21	1	S688170043	Drum W35 BBB
3	1	S413030004	Pawls Carrier Ø8xN2	22	1	S281680097	Red line
4	4	S000080003	Pawl Ø8*	23	1	A96932800	Assy Jaws Winch 35/40 BBB <i>Lower Jaw W35/40 BBB Upper Jaw W35/40 Peeler W20 - 40 SPRING</i>
5	4	S000380001	Pawl Spring Ø8*	24	4	M0601803	Screw UNI EN ISO 1207:1996 - M6x35 - A4
6	1	S412830041	Gear Z23	25	1	S693220019	Stripper arm W35/40 BBB
7	1	S413000004	Pin Ø9x55	26	3	M6007103	Screw M6x50 UNI6107
8	1	S279090002	Washer Ø36xØ9.5x1	27	1	A94136400	Assy Socket W20-80 <i>Socket Handle W20/80 Washer Ø7.7xØ25x5.8 Screw M8x20 UNI 6109</i>
9	1	S415650004	Ratchet Gear Z18	28	1	A76932700	Cover 2 speed W35 BBB
10	1	S412850041	Pinion Z13	29	1		Winch Product Sticker**
11	1	S413120002	Washer Ø22.5xØ45x1				
12	1	S413070004	Pin Ø9-Ø12x32.5				
13	1	A94130500	Assy Gear Z20 <i>Gear Z20</i>				
	2	S414900080	<i>Bushing Ø12xØ14x8</i>				
14	1	A94131100	Assy Housing Winch 35 <i>Housing Winch 35</i>				
	2	S414890080	<i>Bushing Ø9xØ11x7 Heli-coil M6x9</i>				
	1	S4130900A7	<i>Bushing Ø22xØ25x8.5</i>				
15	6	M0635103	Socket head screw M6x16 UNI 5931				

*Available with service kit; see website www.harken.com

**Winch product sticker

