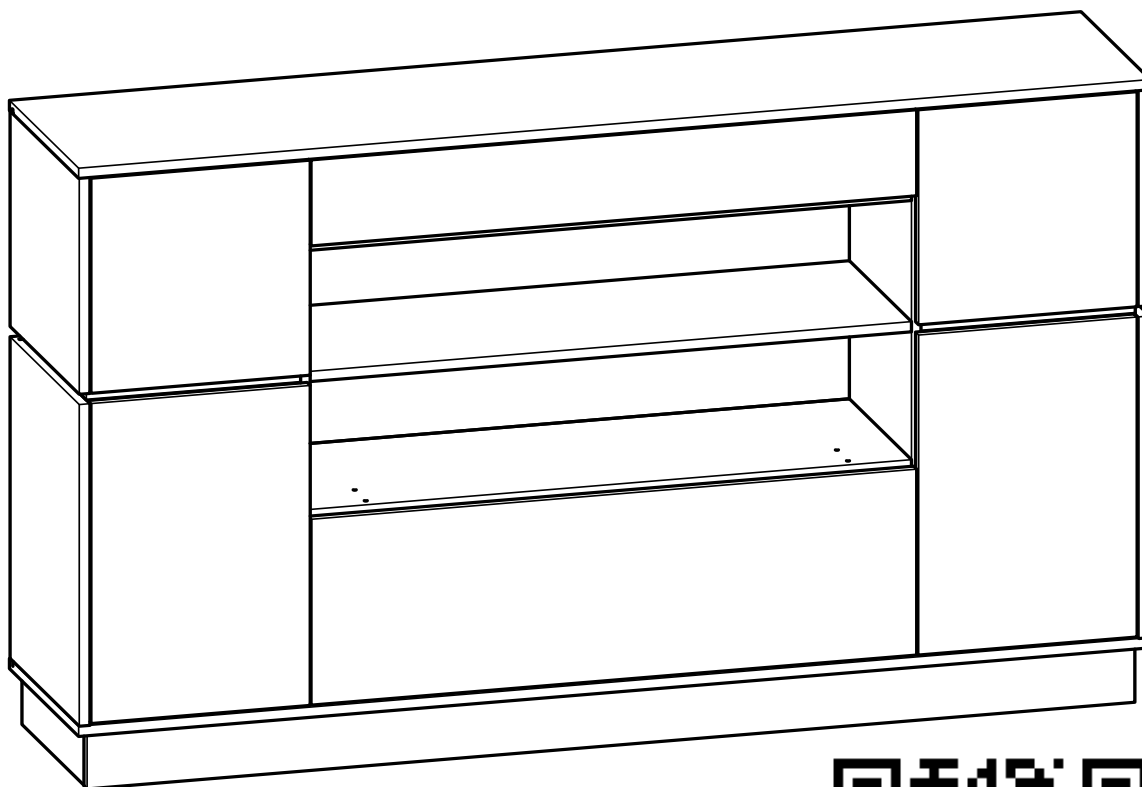


# ODESSA EF SIDEBORD

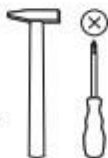
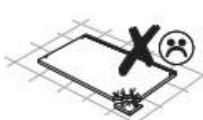
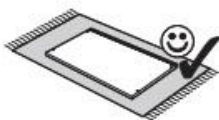


**EN- Please do not assemble the furniture if its parts are damaged.**

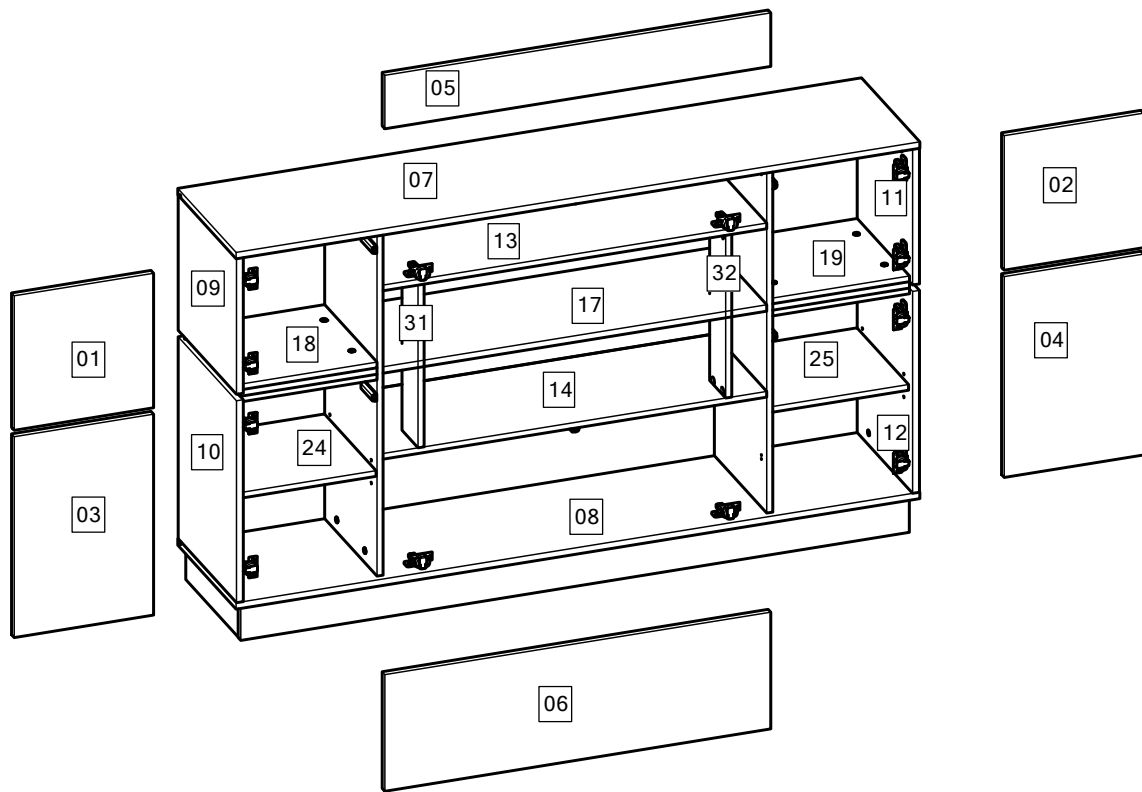
Before assembling, individual elements of the furniture should be carefully inspected. In case of visible damage, it should be reported along with photographic documentation, to analyse the complaint and take appropriate action.



180 min.

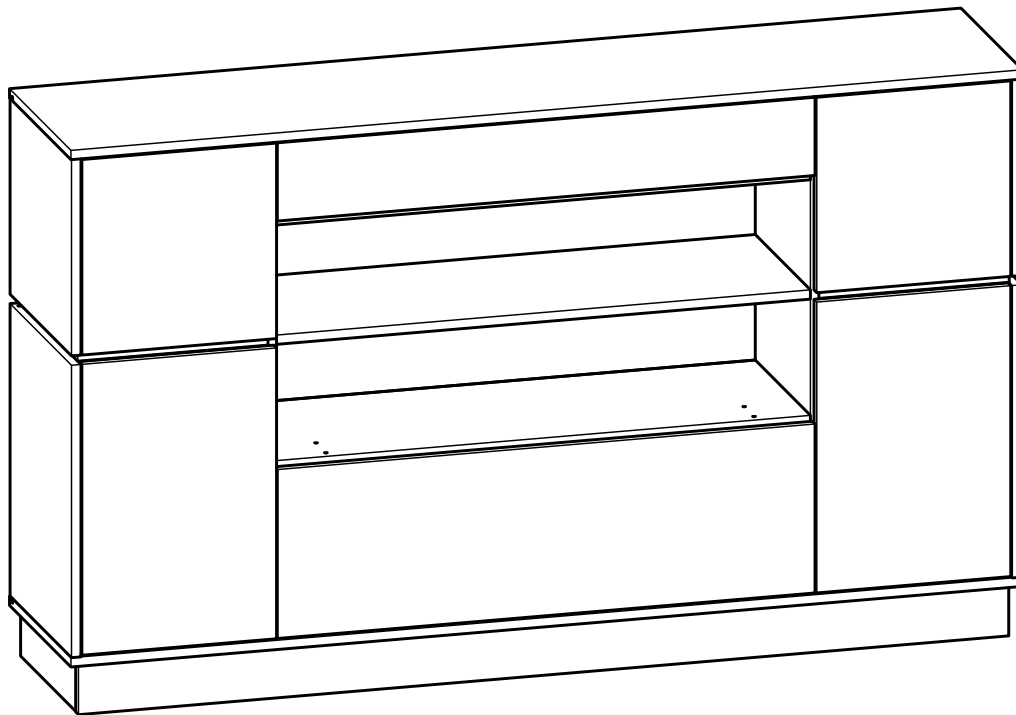













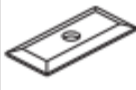









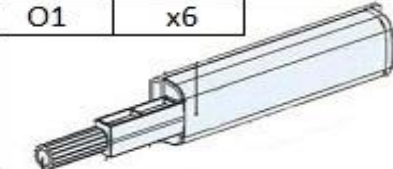
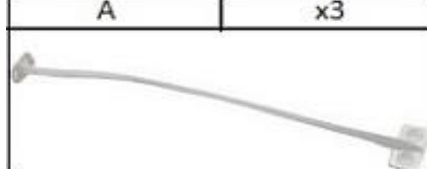
# ODESSA EF SIDEBORD



No	L (inch)	W (inch)	qnt	No	L (inch)	W (inch)	qnt
1	148.43	144.49	1	20	149.21	141.73	1
2	148.43	144.49	1	21	149.21	141.73	1
3	221.65	144.49	1	22	149.21	141.73	1
4	221.65	144.49	1	23	149.21	141.73	1
5	400.00	59.06	1	24	141.34	139.37	1
6	400.00	128.74	1	25	141.34	139.37	1
7	708.66	157.48	1	26	692.91	39.37	1
8	708.66	157.48	1	27	142.52	39.37	1
9	157.48	149.61	1	28	142.52	39.37	1
10	222.83	157.48	1	29	142.52	39.37	1
11	157.48	149.61	1	30	142.52	39.37	1
12	222.83	157.48	1	31	179.53	43.31	1
13	397.64	141.34	1	32	179.53	43.31	1
14	397.64	141.34	1	33	403.94	68.11	1
15	379.53	141.34	1	34	403.94	136.61	1
16	379.53	141.34	1	35	148.82	147.64	1
17	397.64	141.34	1	36	148.82	147.64	1
18	149.21	141.73	1	37	222.05	148.03	1
19	149.21	141.73	1	38	222.05	148.03	1

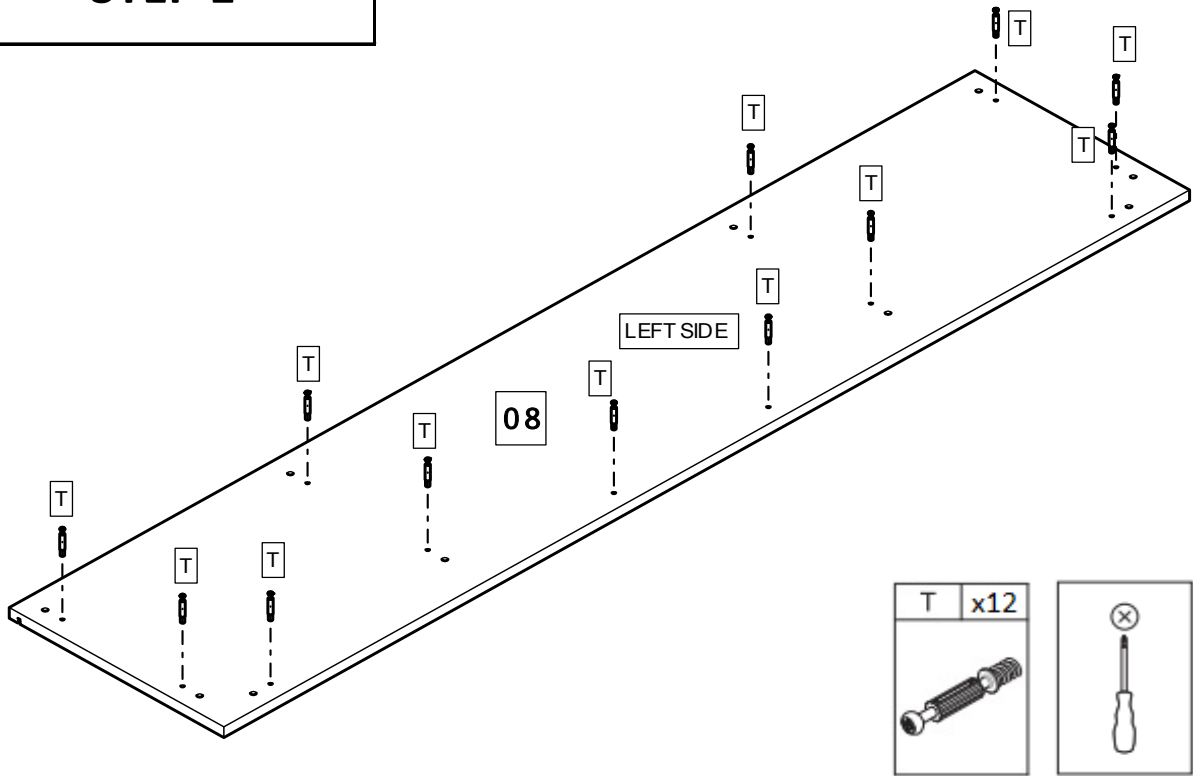
# ODESSA EF SIDEBORD



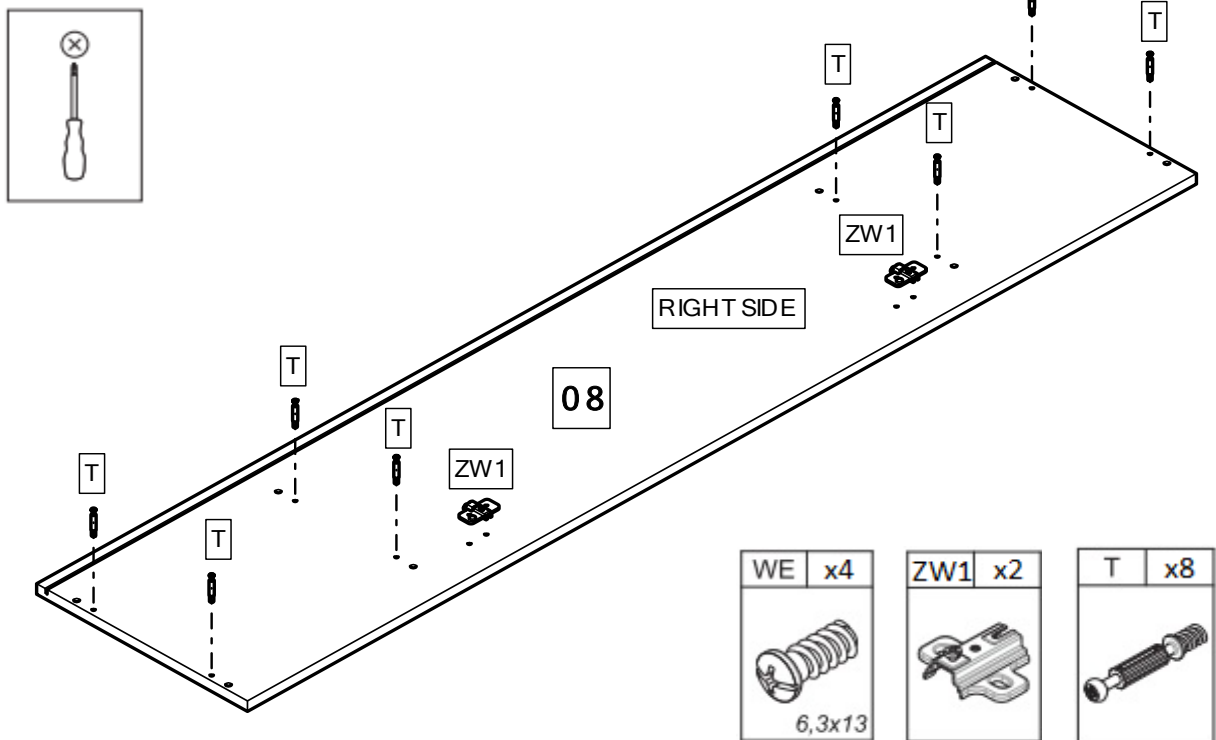
T x56 	M x56 	SP x20 	SP1 x20  3x18	Z1 x44  Ø20	K x54  8x35	PP x8 
W1 x24  4x16	W3 x16  4x20	R x12 	R1 x12 	BP x10 	G x30 	W2 x30  3,5x16
ZP1 x2 	ZP x2 	ZW1 x10 	ZW x10 	WE x24  6,3x13	K1 x4 	L x4 
O1 x6 						A x3 

# ODESSA EF SIDEBOARD

## STEP 1

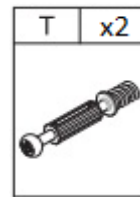
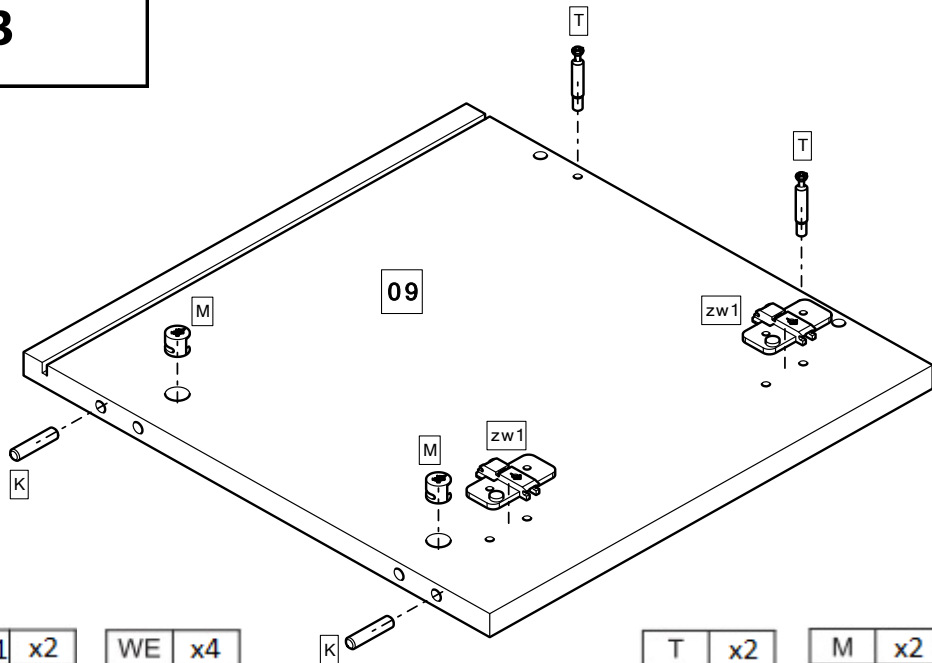
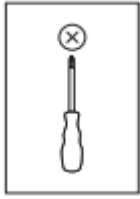


## STEP 2

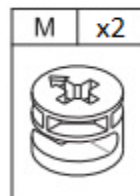
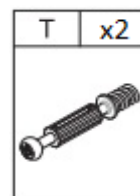
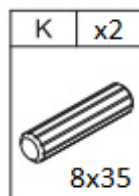
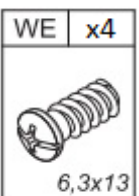
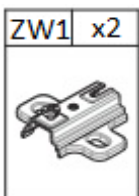
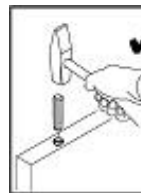
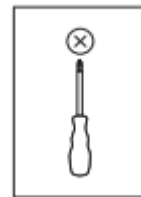
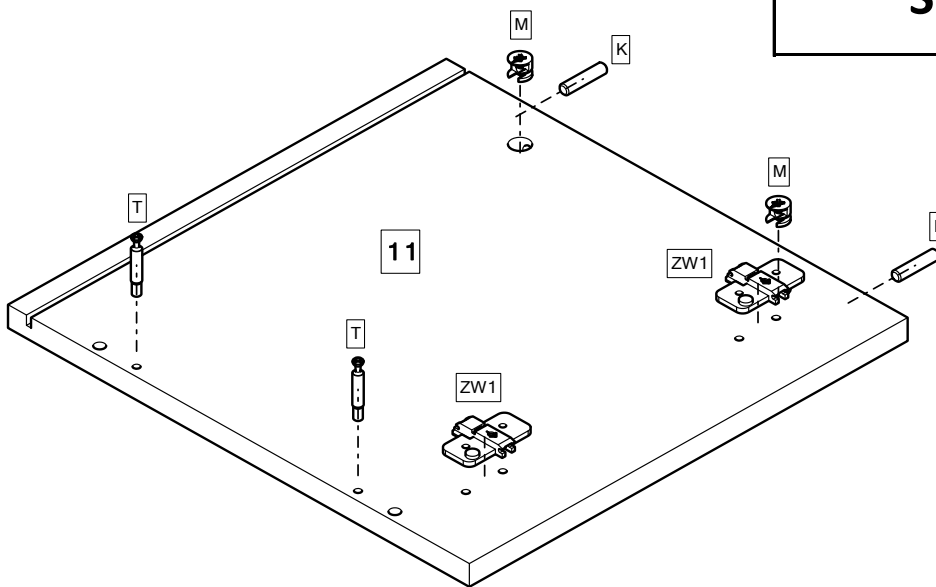


# ODESSA EF SIDEBORD

## STEP 3

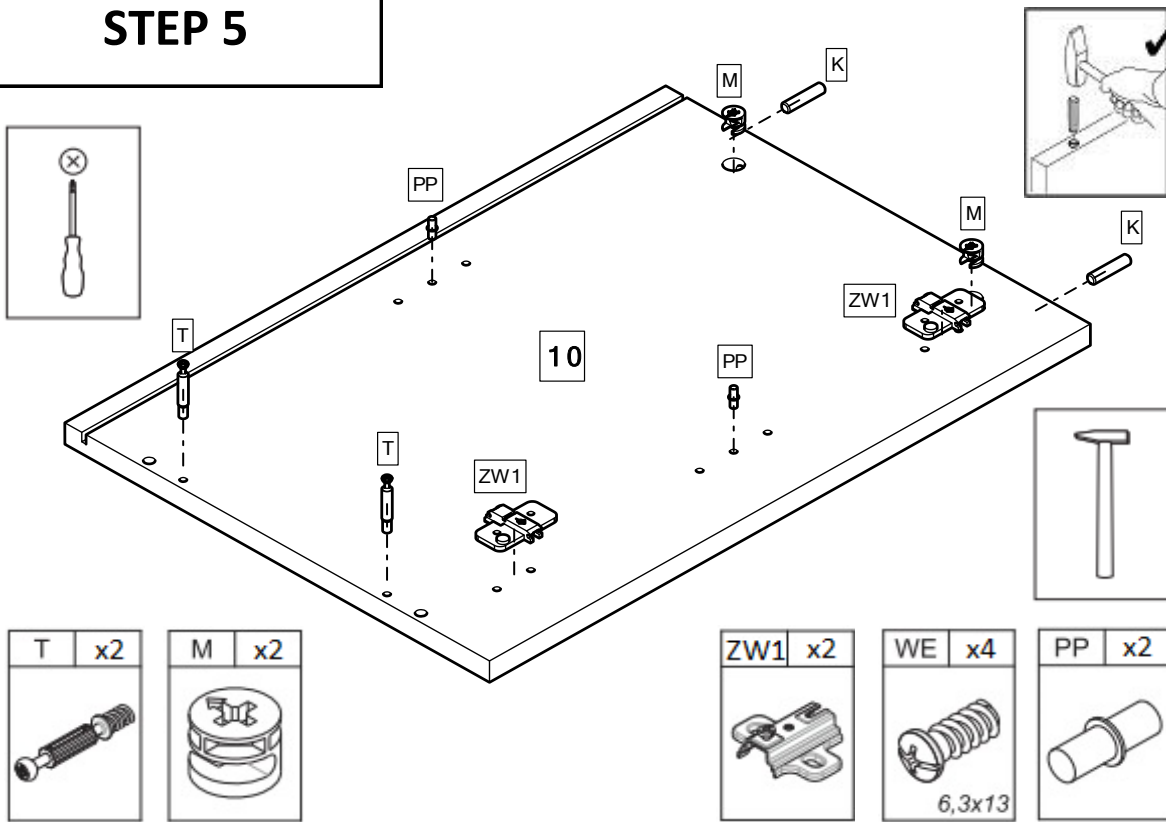


## STEP 4

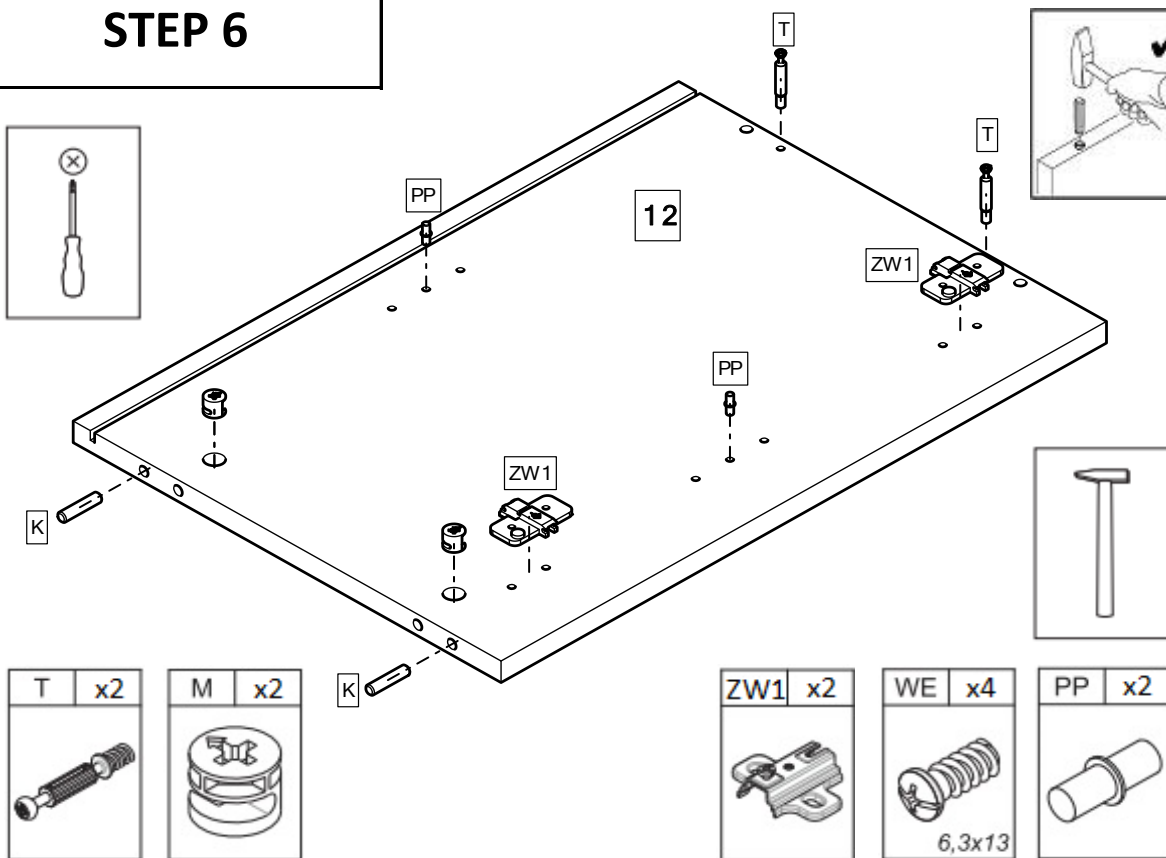


# ODESSA EF SIDEBORD

## STEP 5

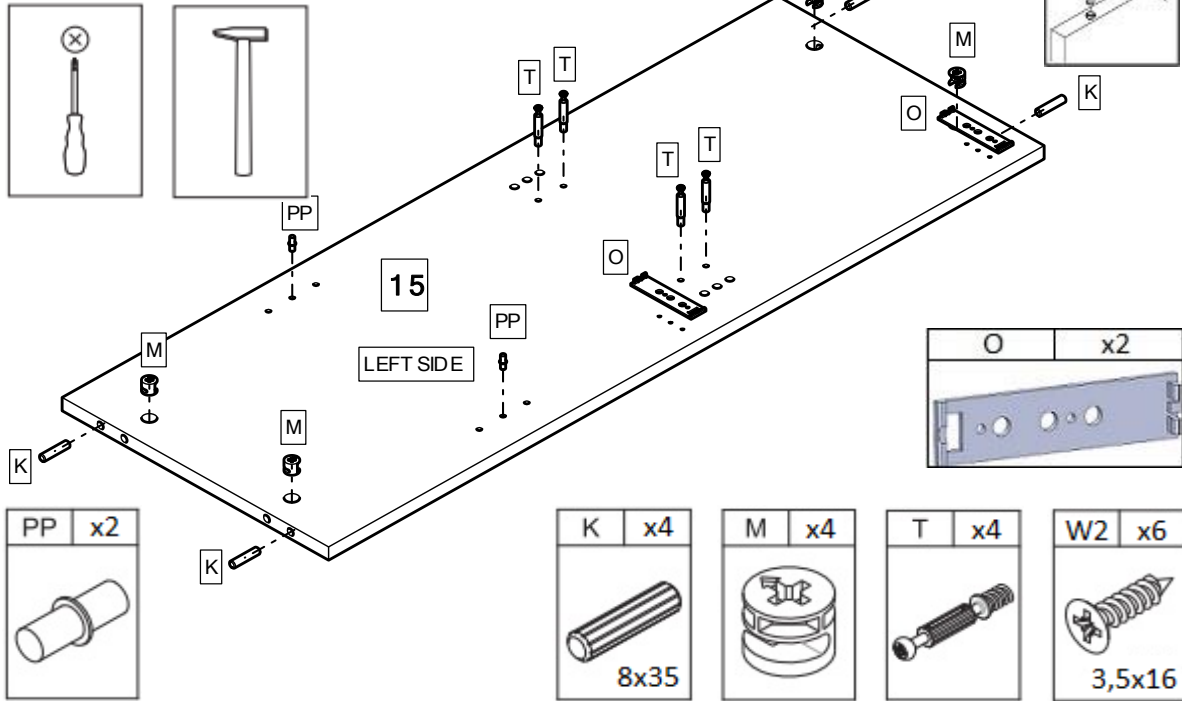


## STEP 6

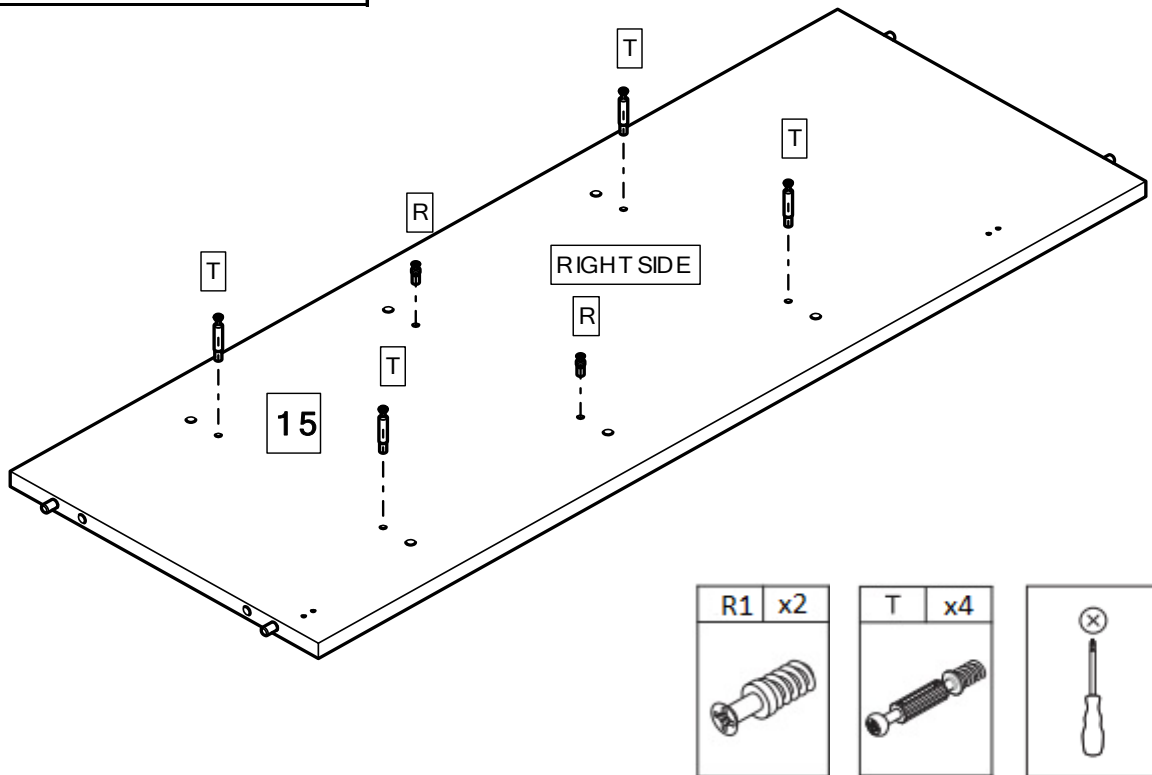


# ODESSA EF SIDEBORD

## STEP 7

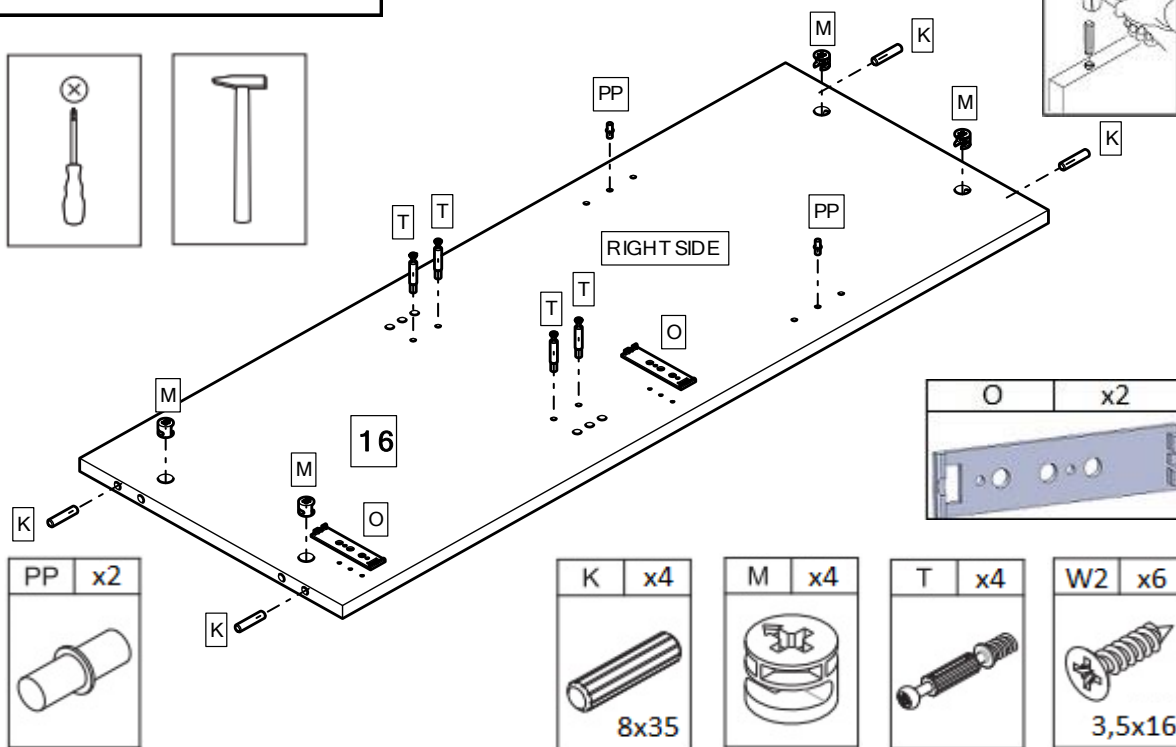
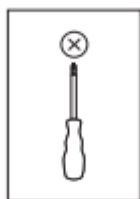


## STEP 8

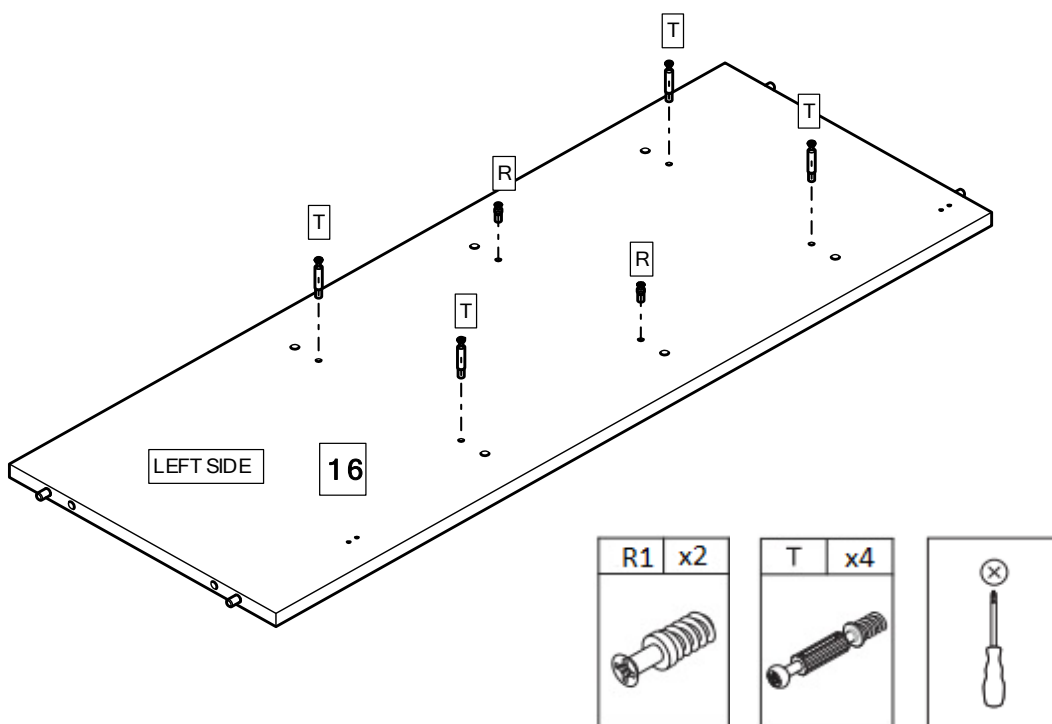


# ODESSA EF SIDEBOARD

## STEP 9



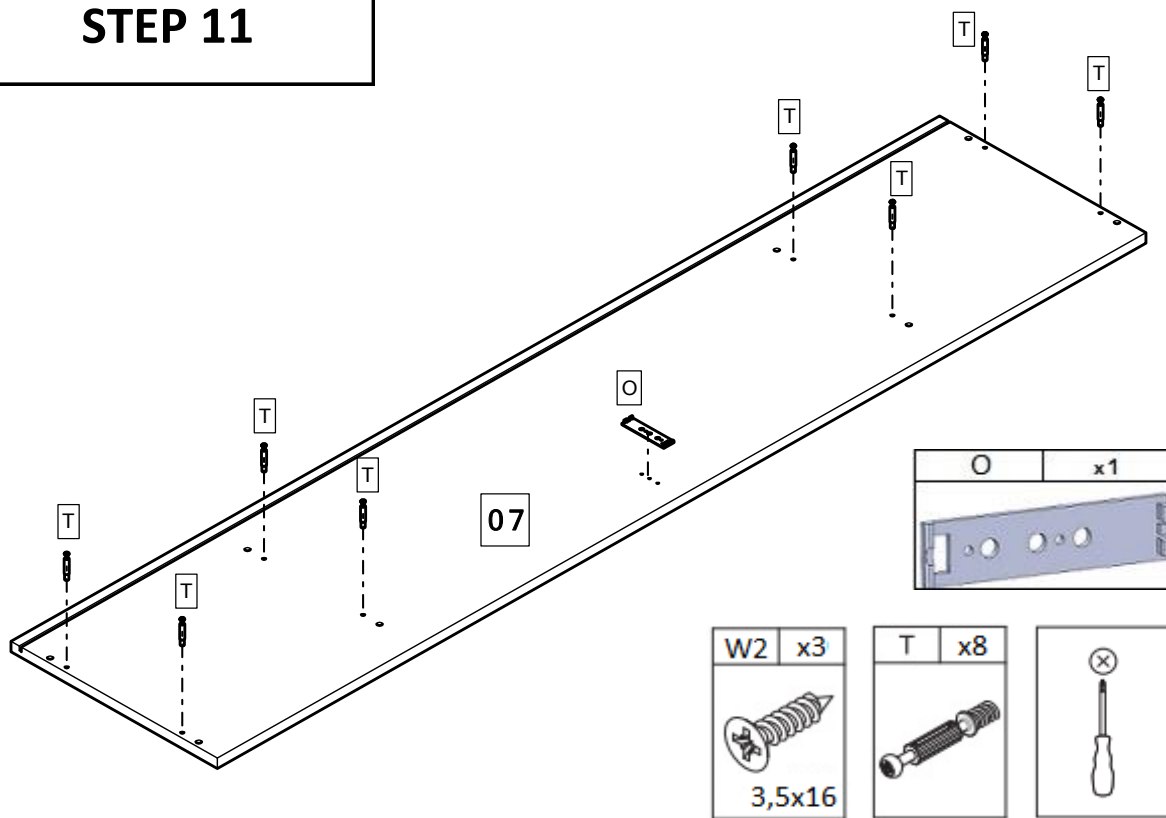
## STEP 10



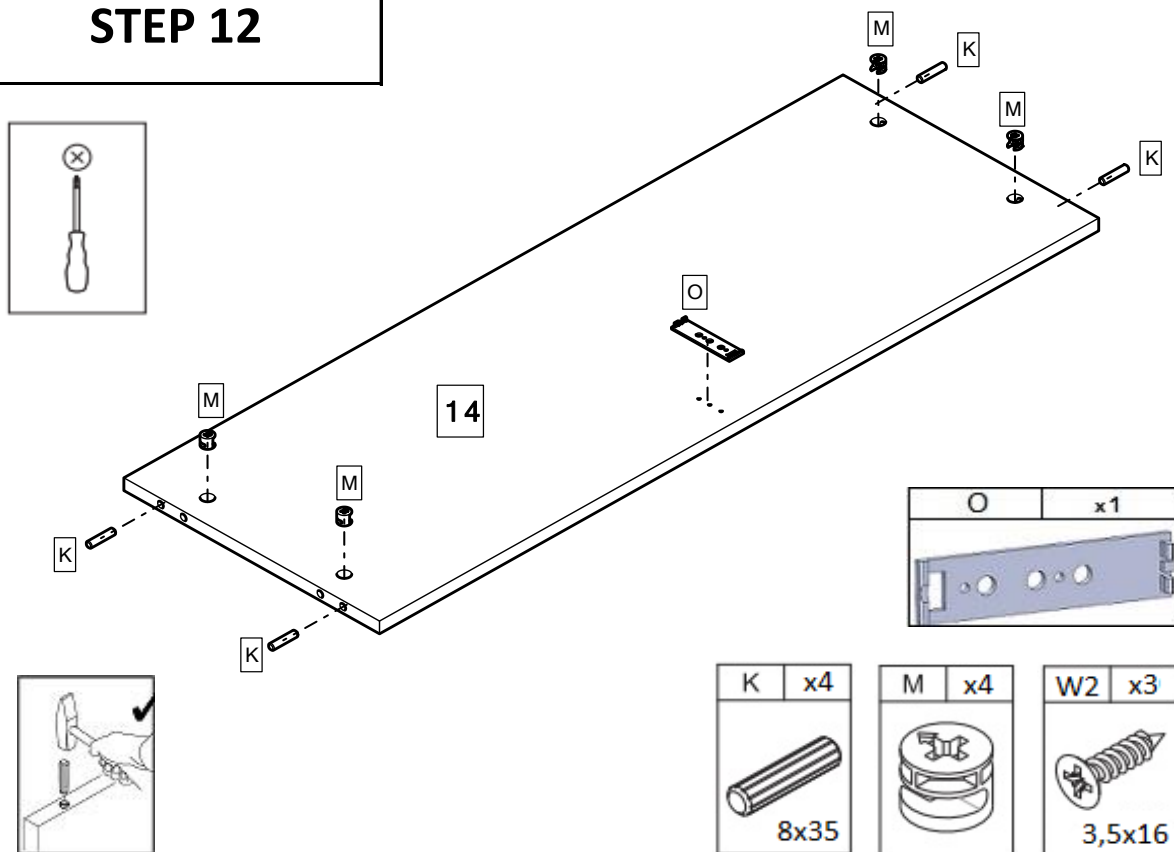


# ODESSA EF SIDEBOARD

## STEP 11

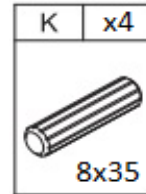
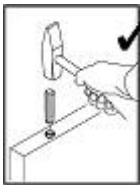
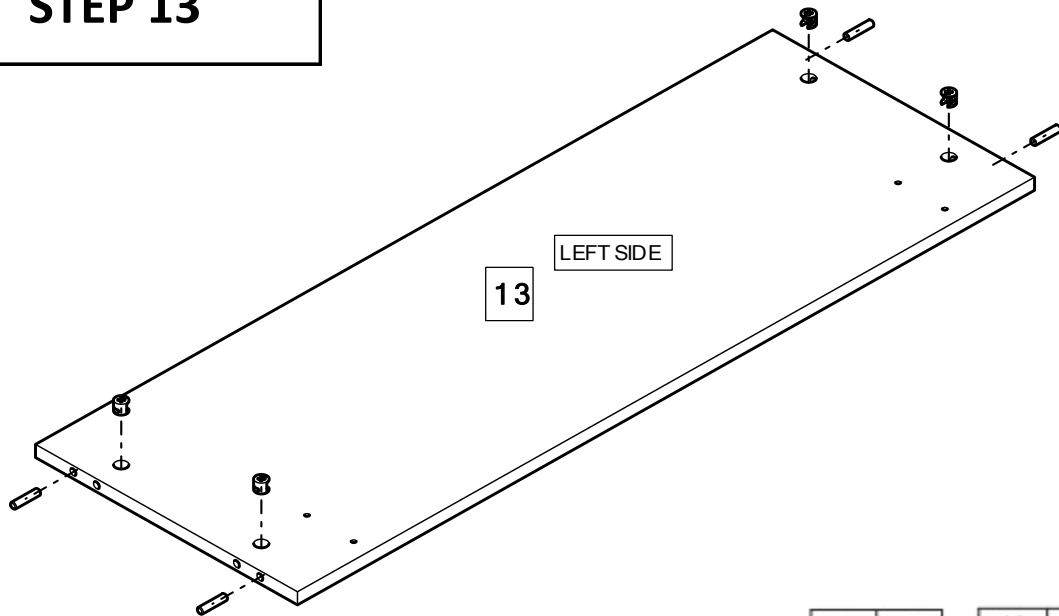


## STEP 12

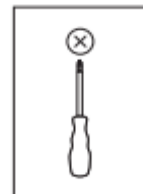
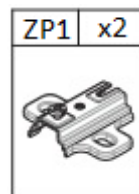
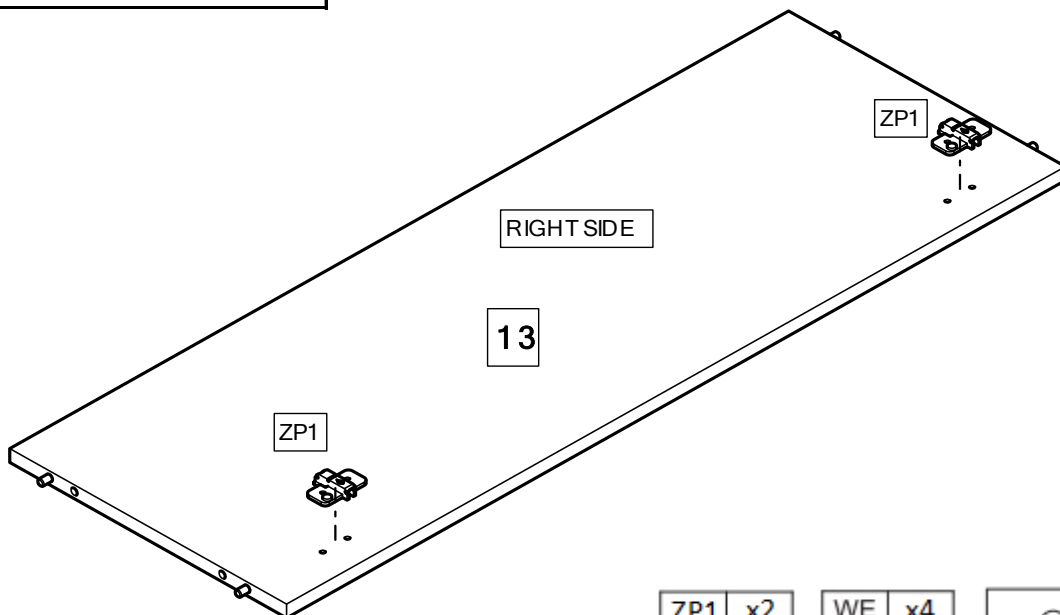


# ODESSA EF SIDEBORD

## STEP 13

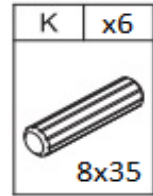
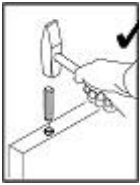
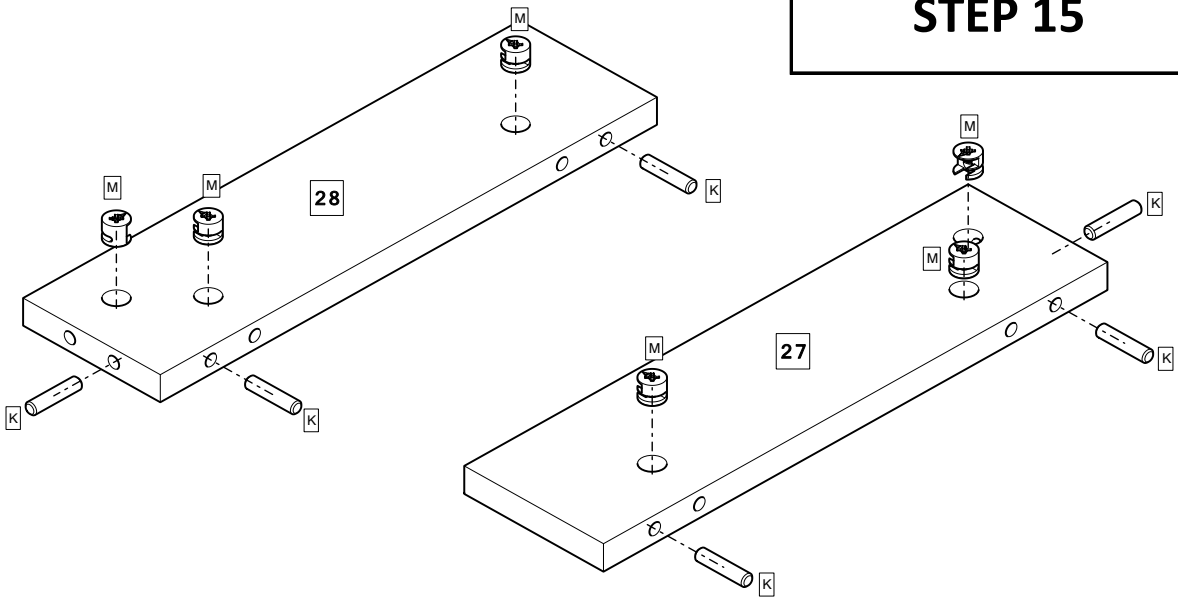


## STEP 14

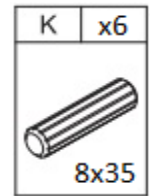
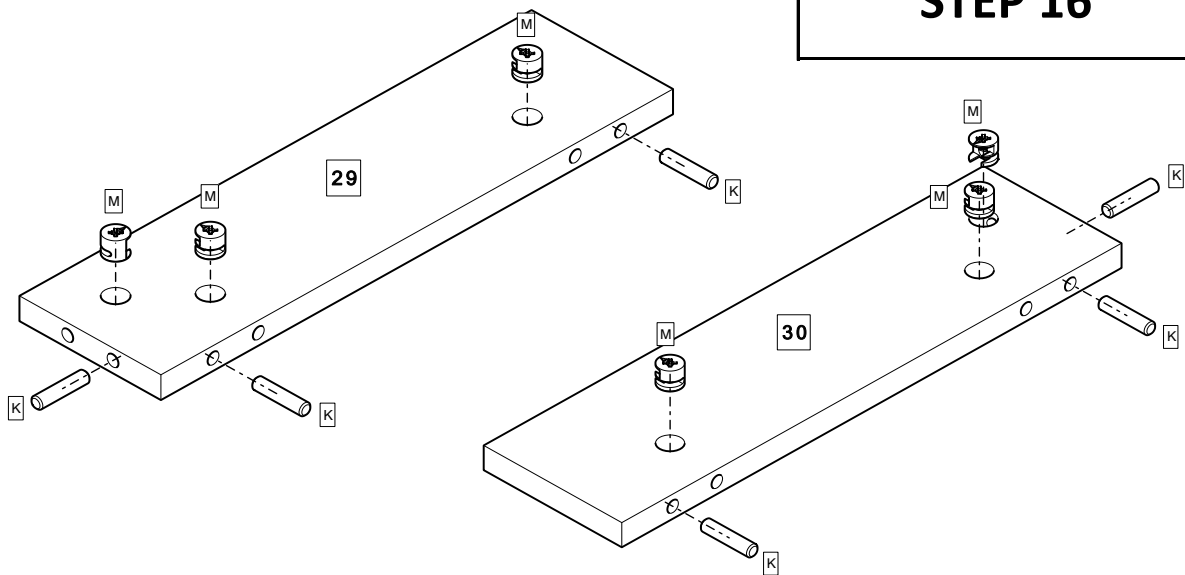


# ODESSA EF SIDEBORD

## STEP 15

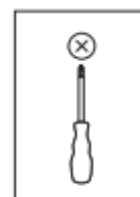
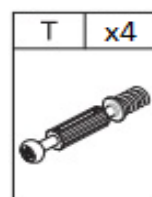
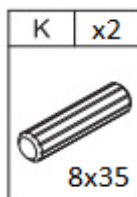
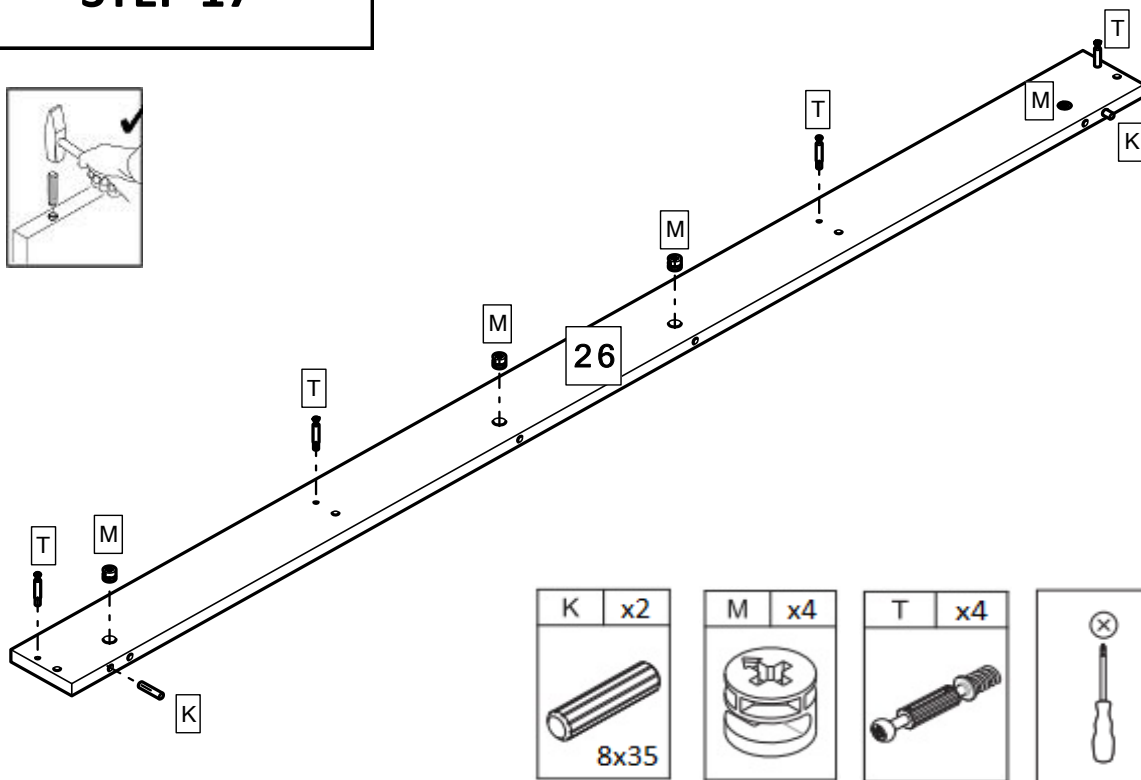
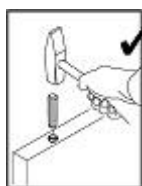


## STEP 16

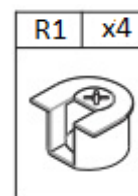
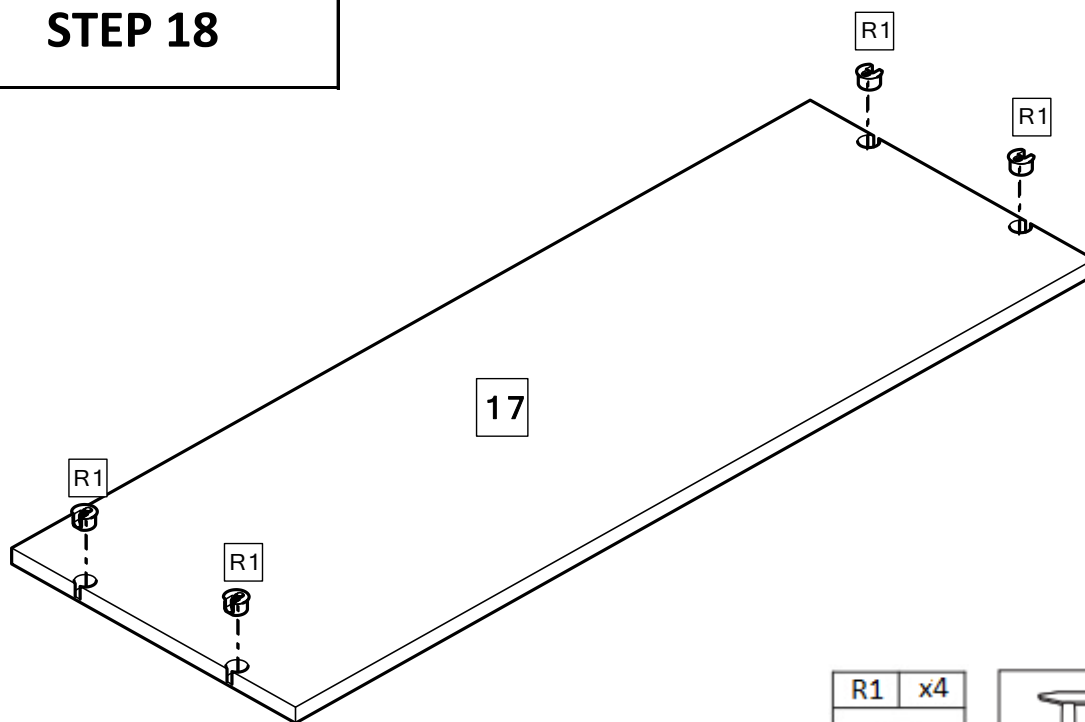


# ODESSA EF SIDEBORD

## STEP 17

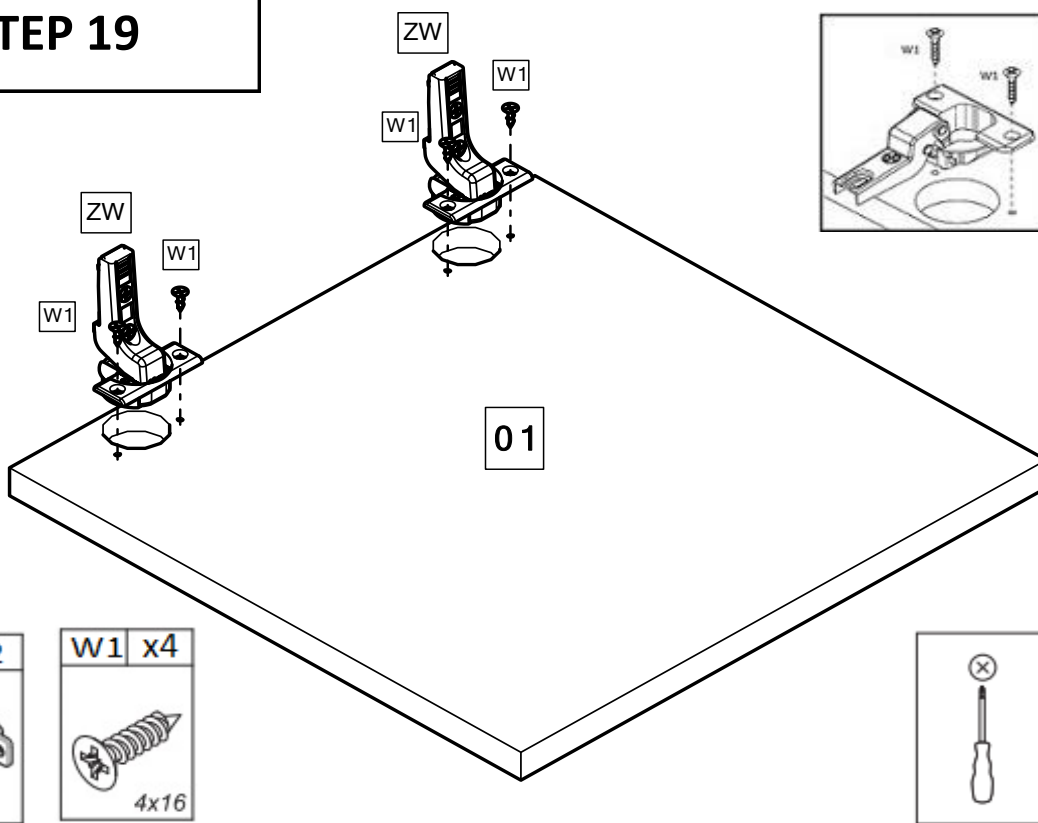


## STEP 18

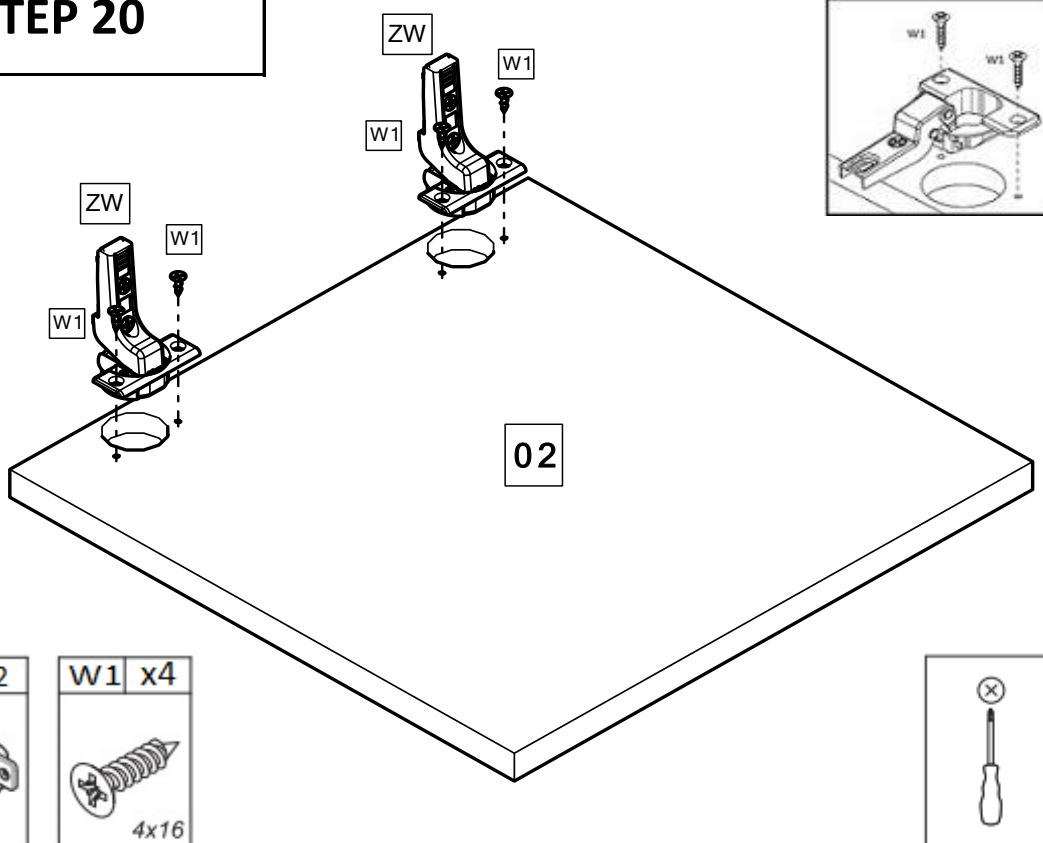


# ODESSA EF SIDEBORD

## STEP 19

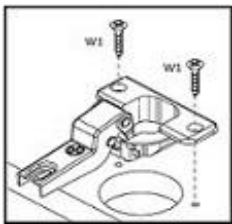
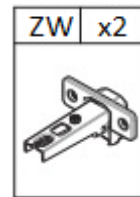
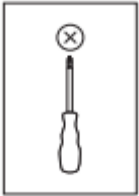
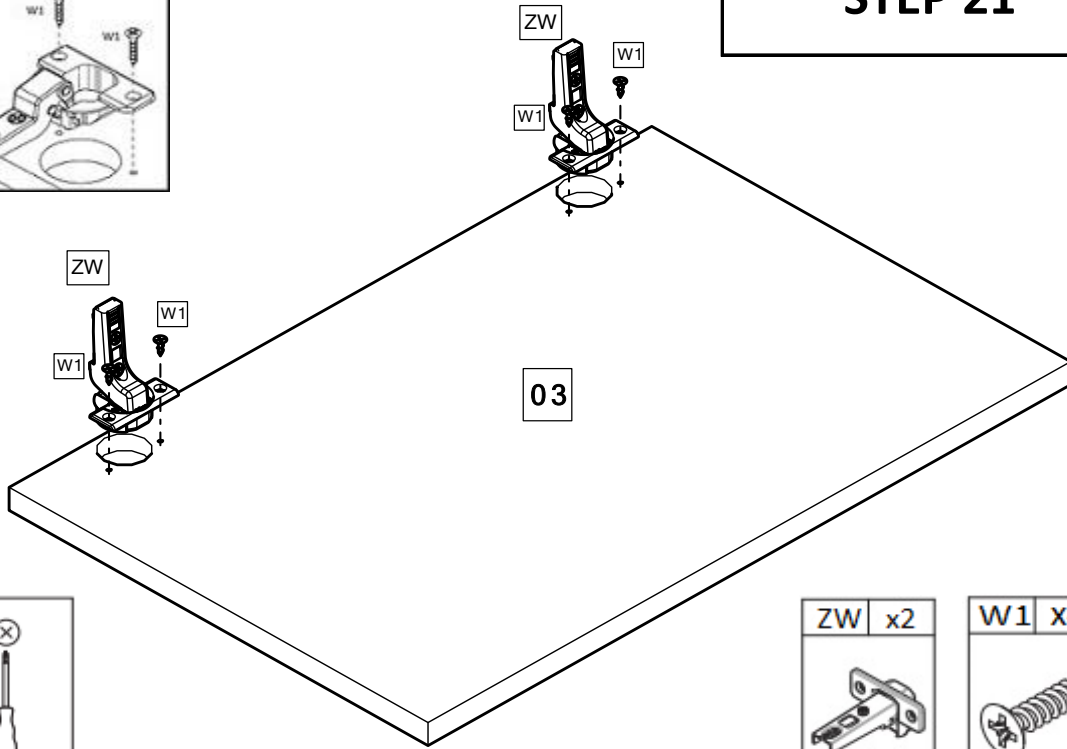
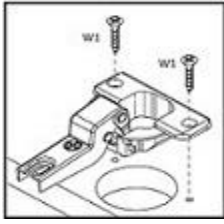


## STEP 20

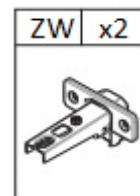
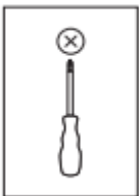
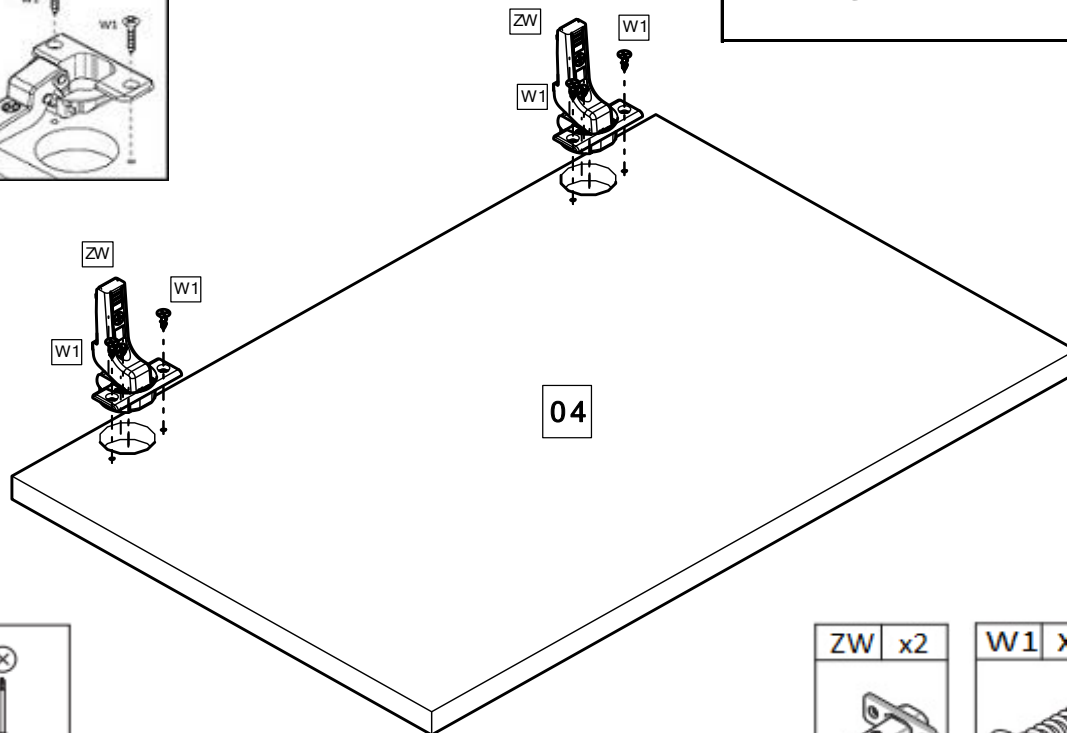


# ODESSA EF SIDEBORD

## STEP 21

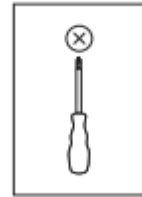
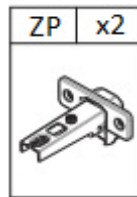
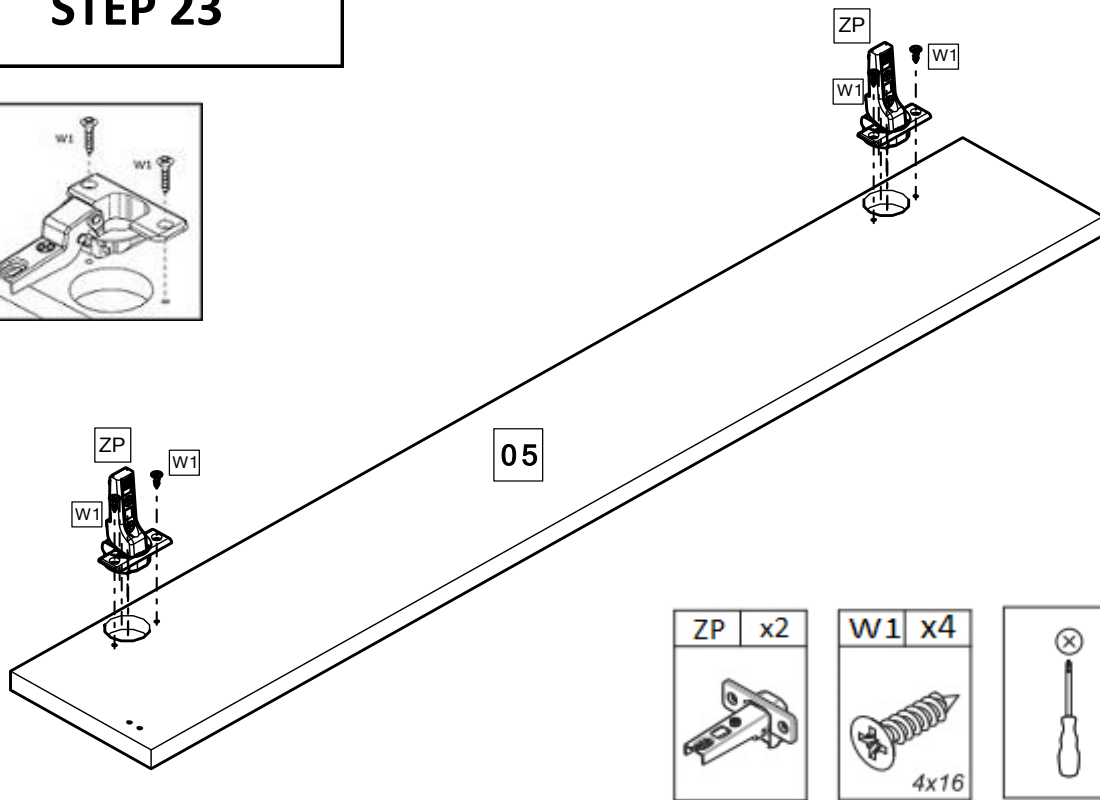
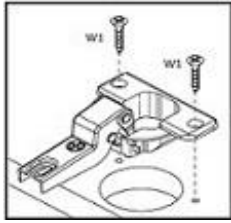


## STEP 22

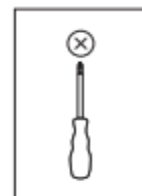
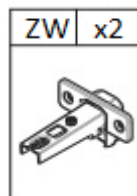
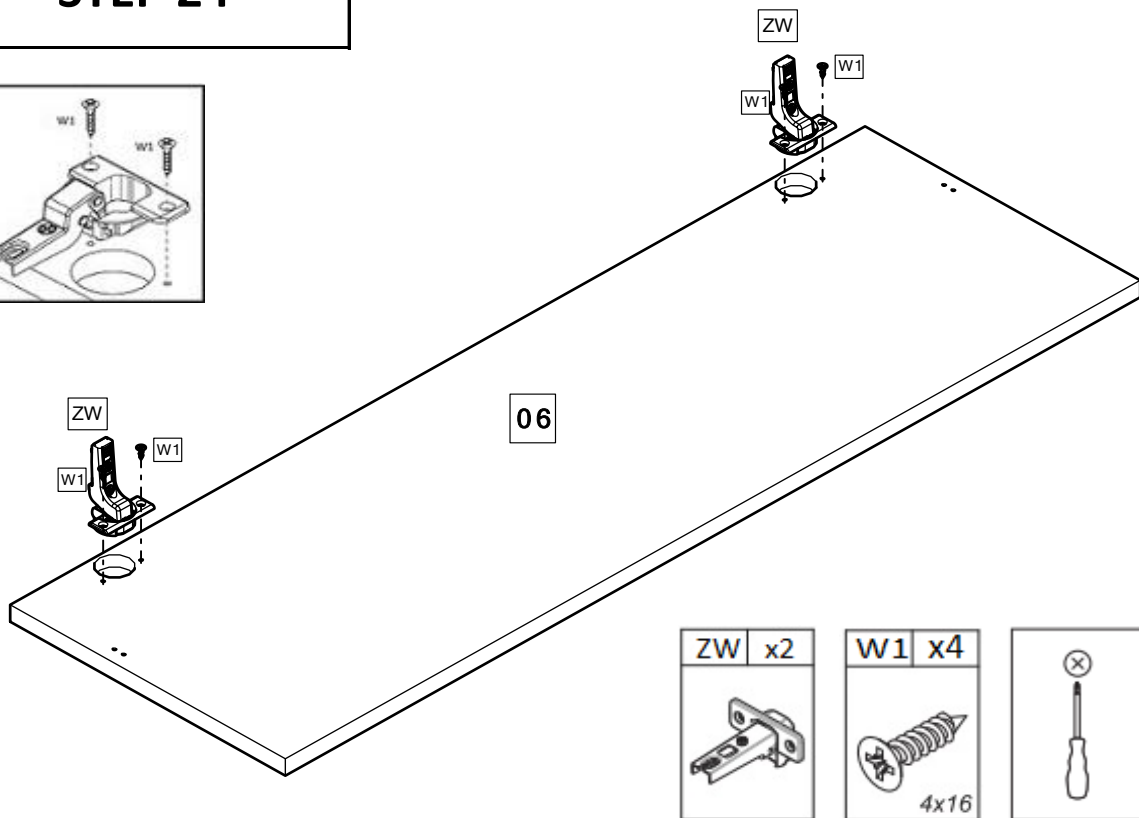
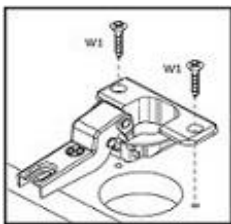


# ODESSA EF SIDEBORD

## STEP 23

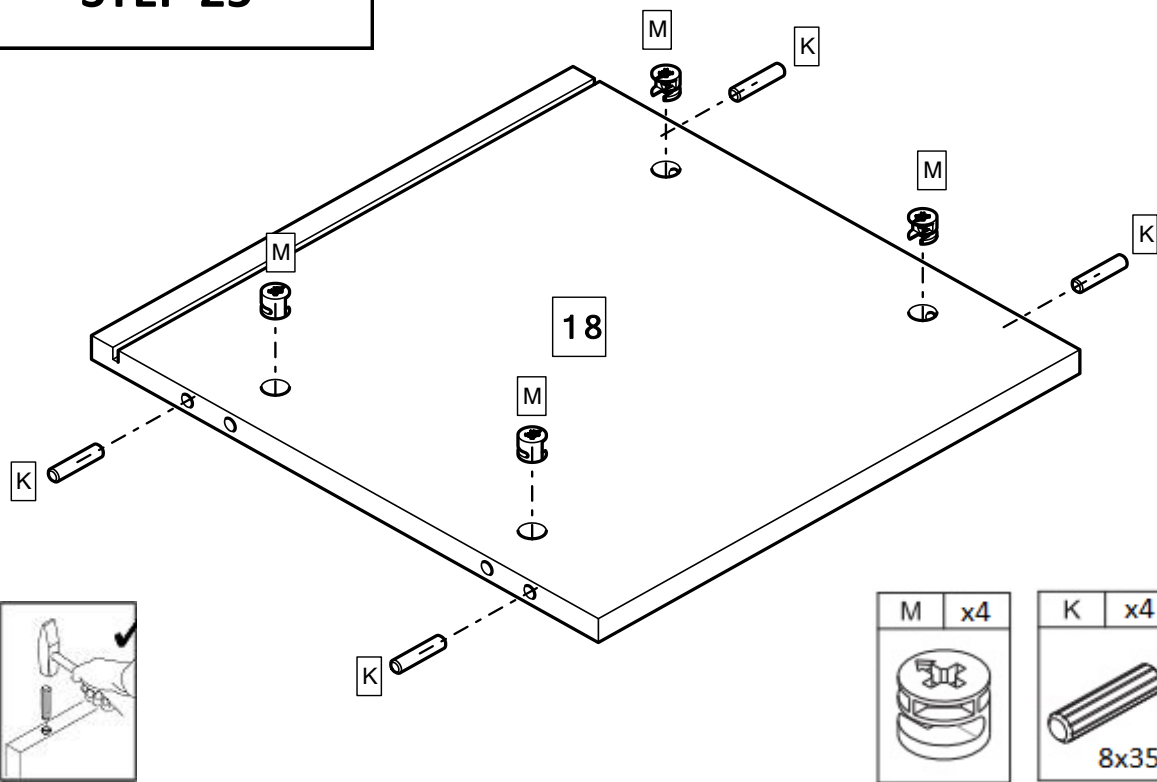


## STEP 24

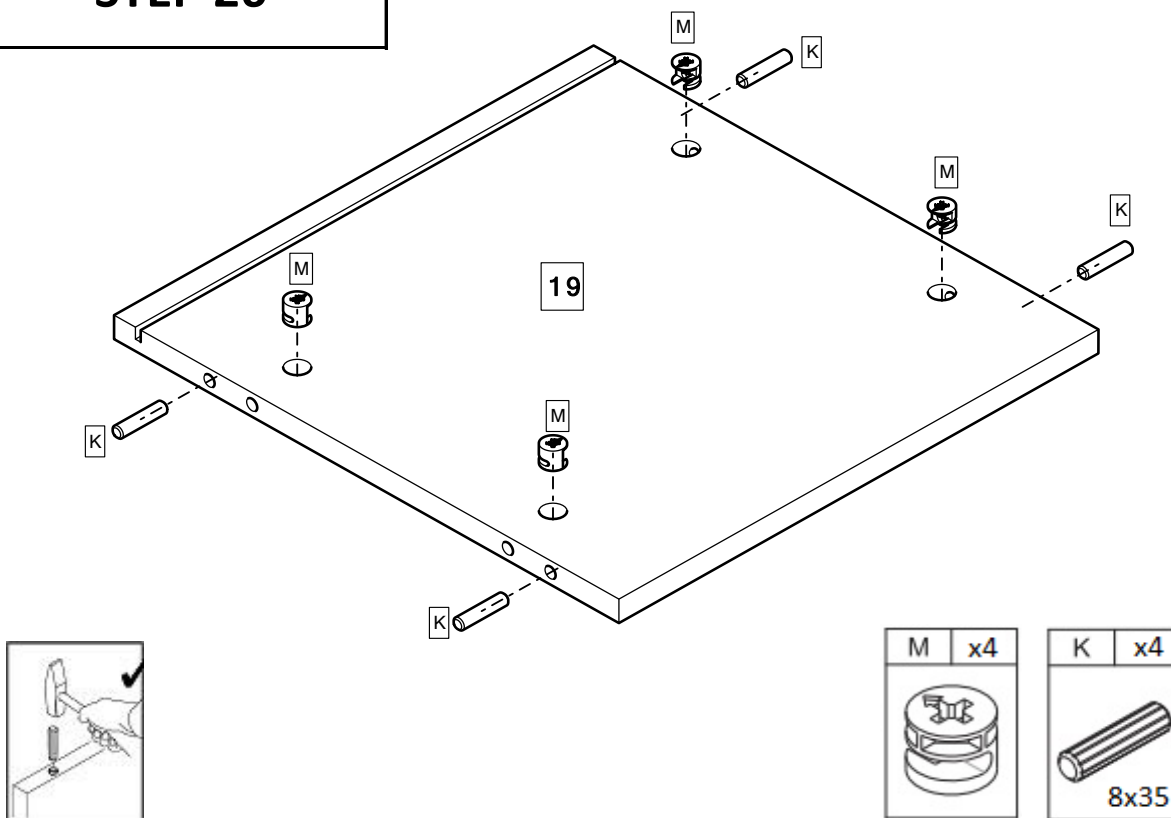


# ODESSA EF SIDEBORD

## STEP 25



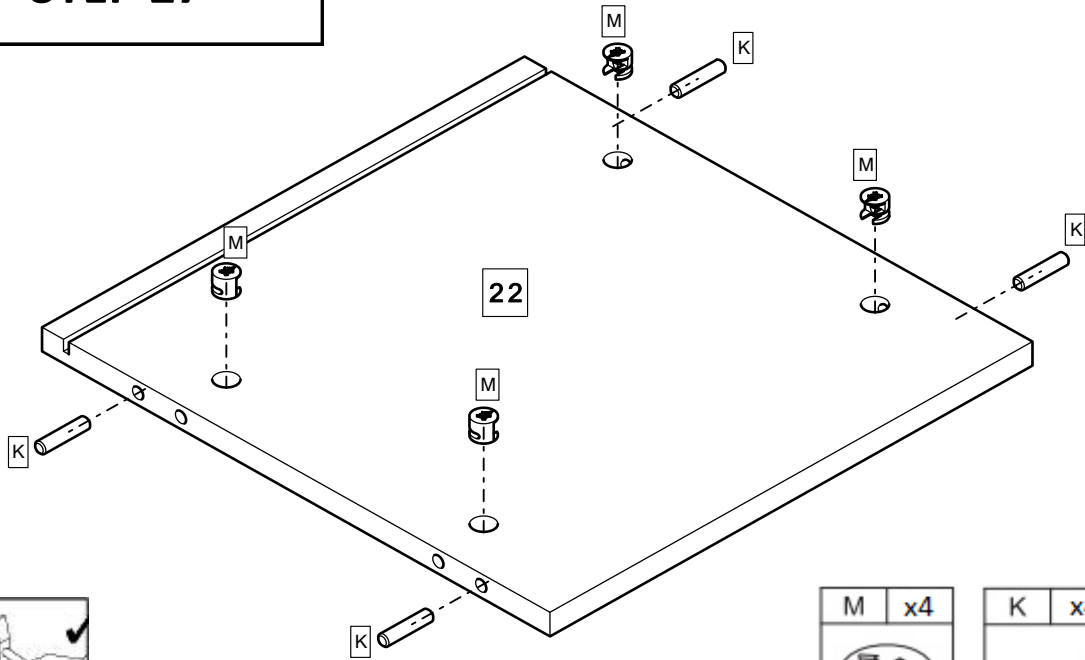
## STEP 26



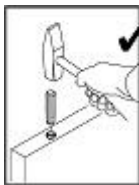
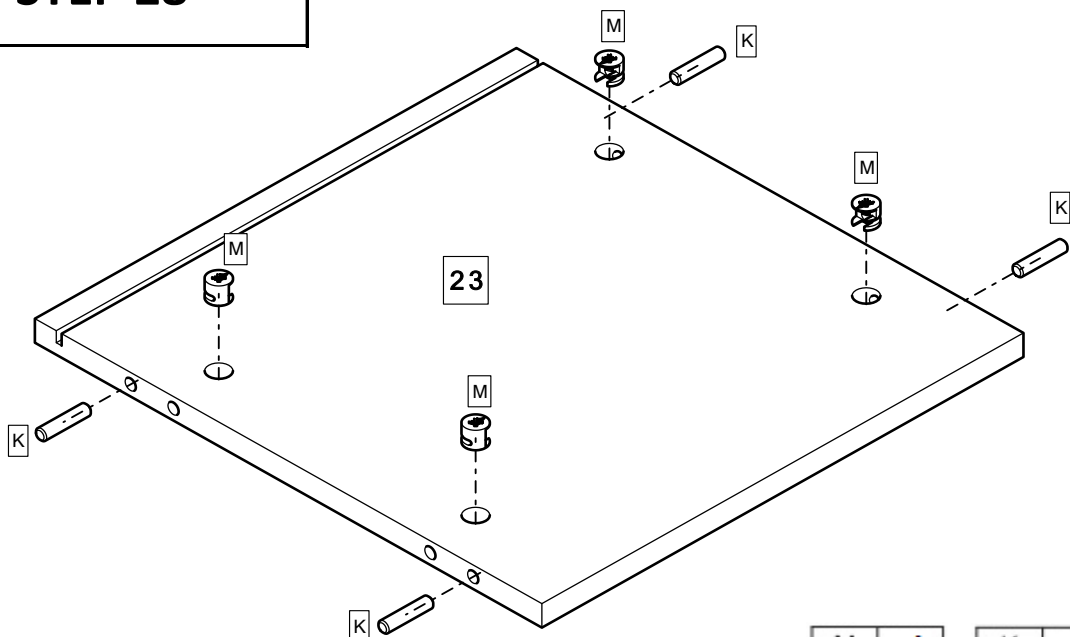


# ODESSA EF SIDEBOARD

## STEP 27

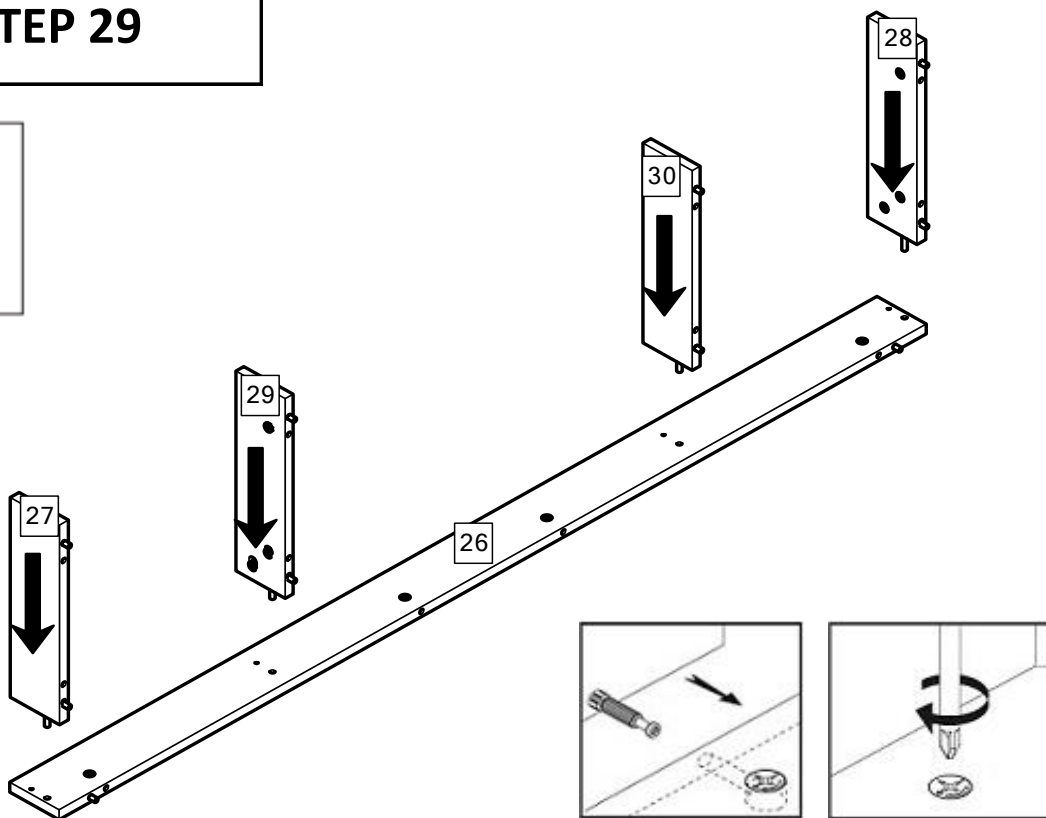
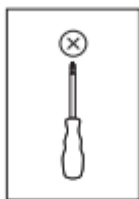


## STEP 28

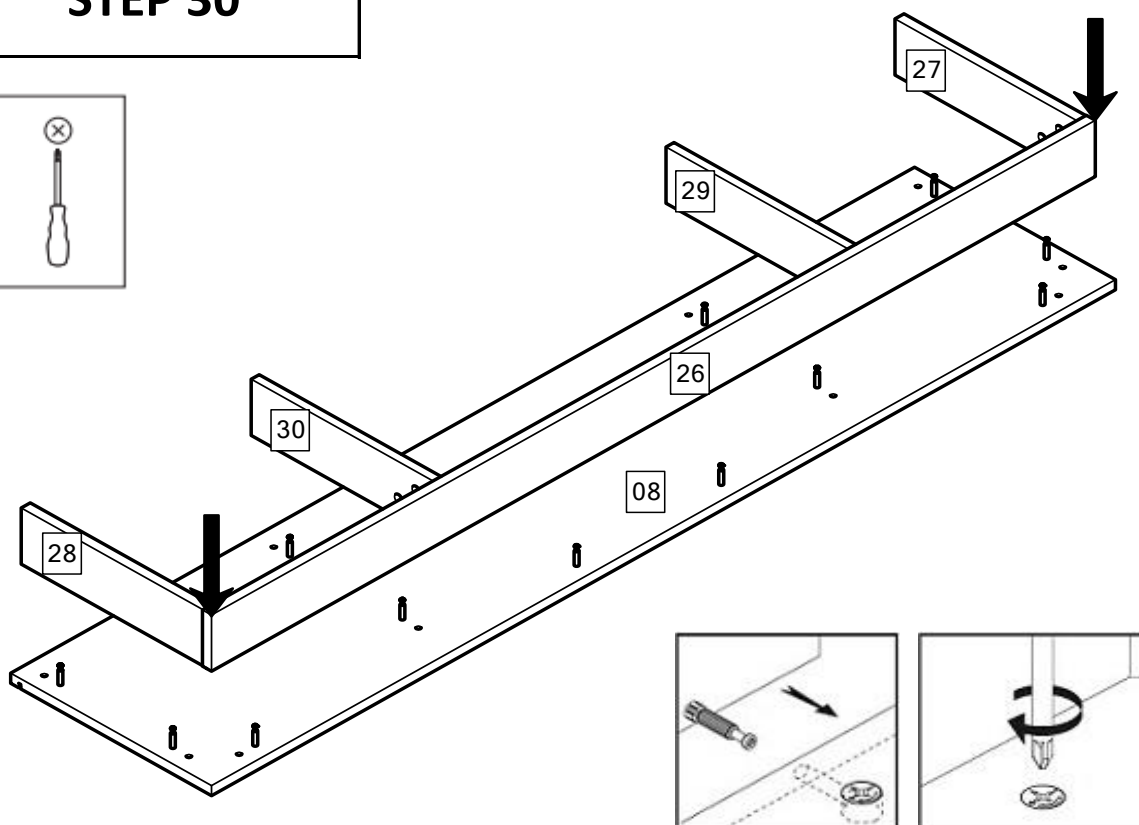
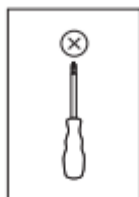


# ODESSA EF SIDEBORD

## STEP 29

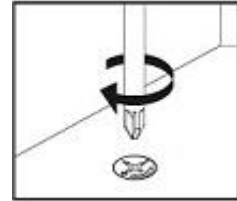
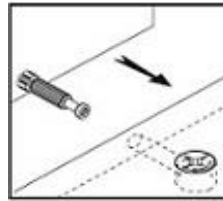
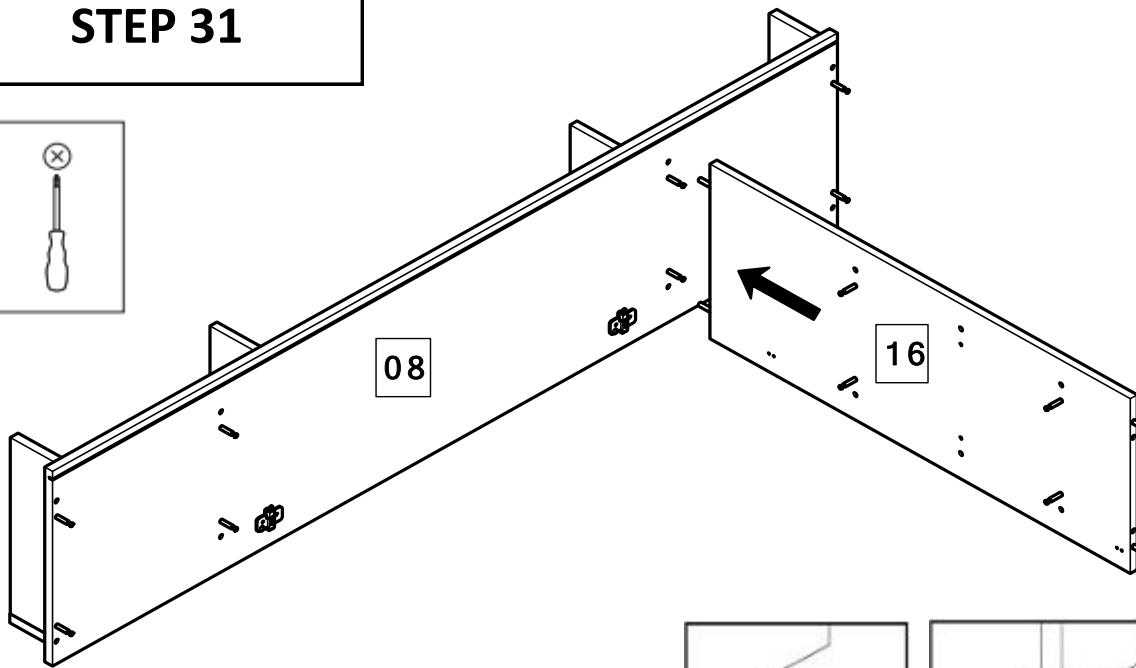
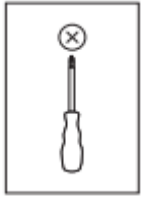


## STEP 30

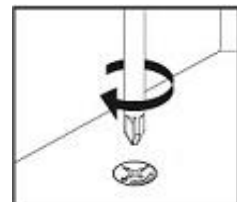
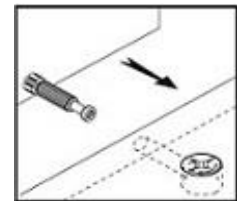
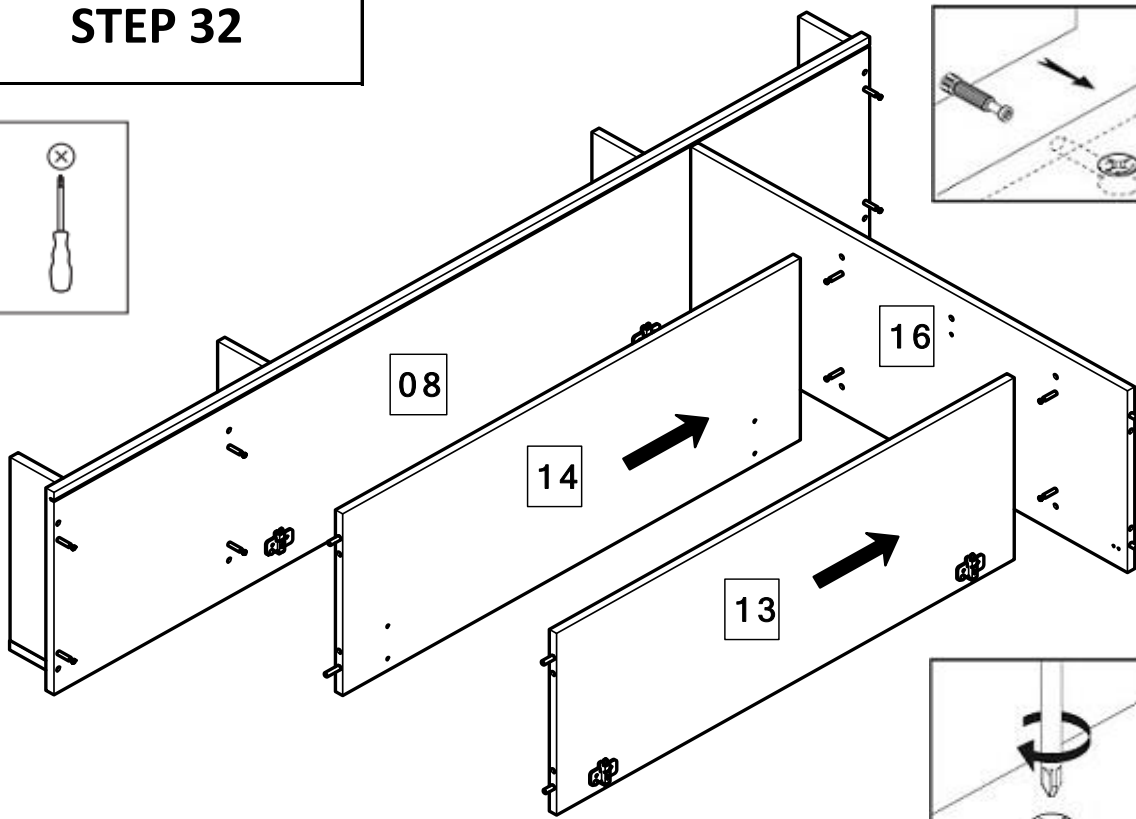
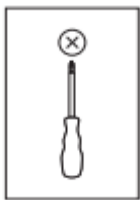


# ODESSA EF SIDEBOARD

## STEP 31

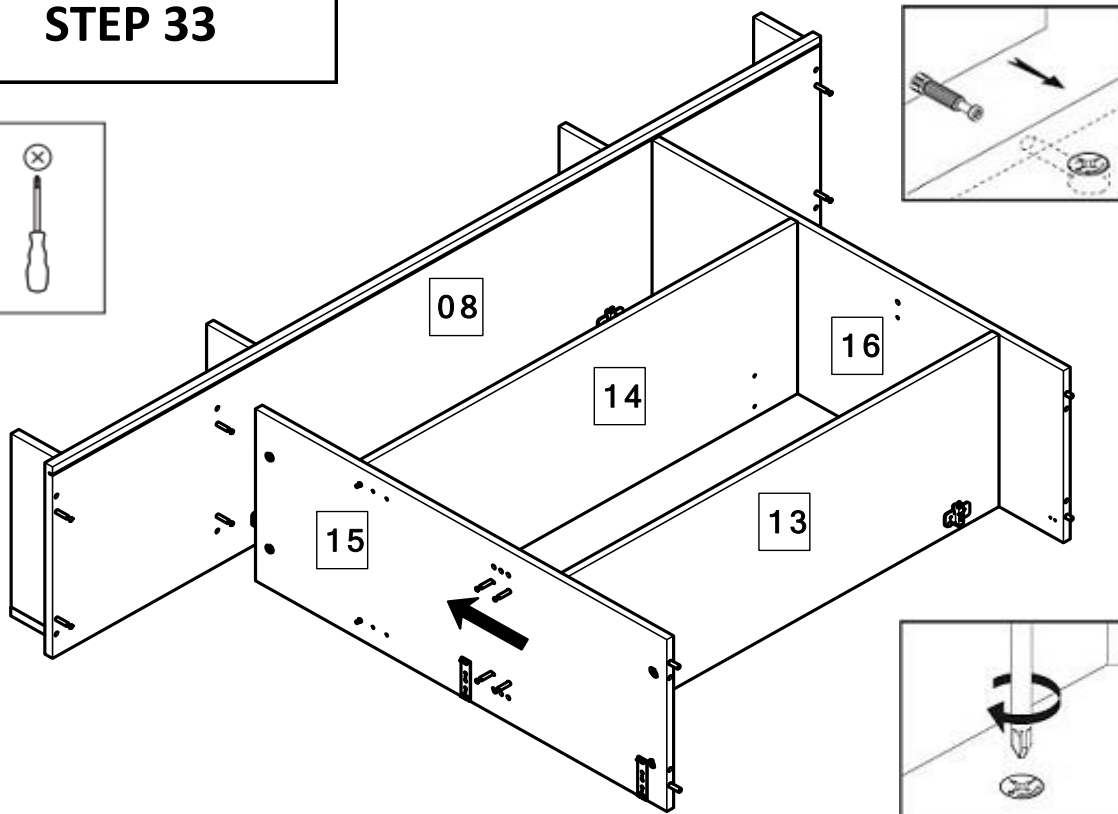
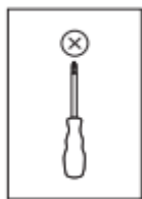


## STEP 32

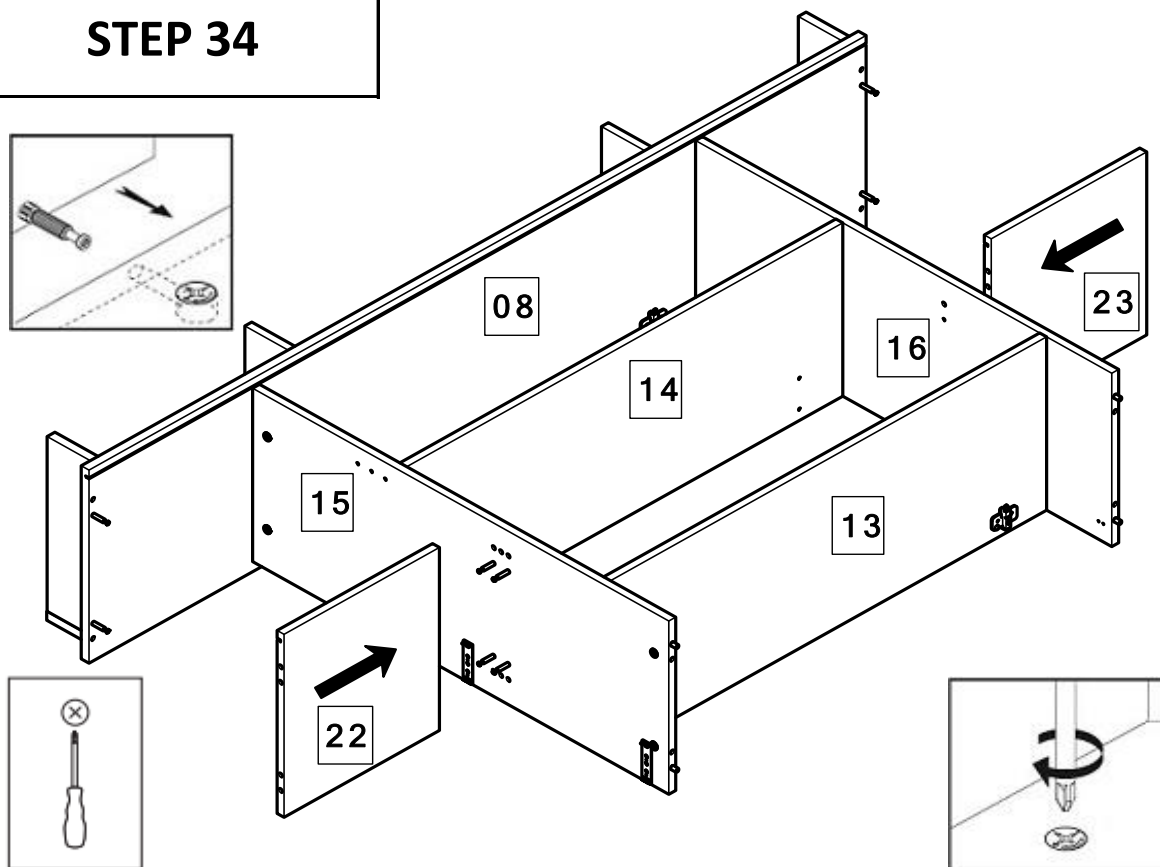
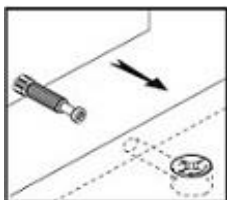


# ODESSA EF SIDEBOARD

## STEP 33

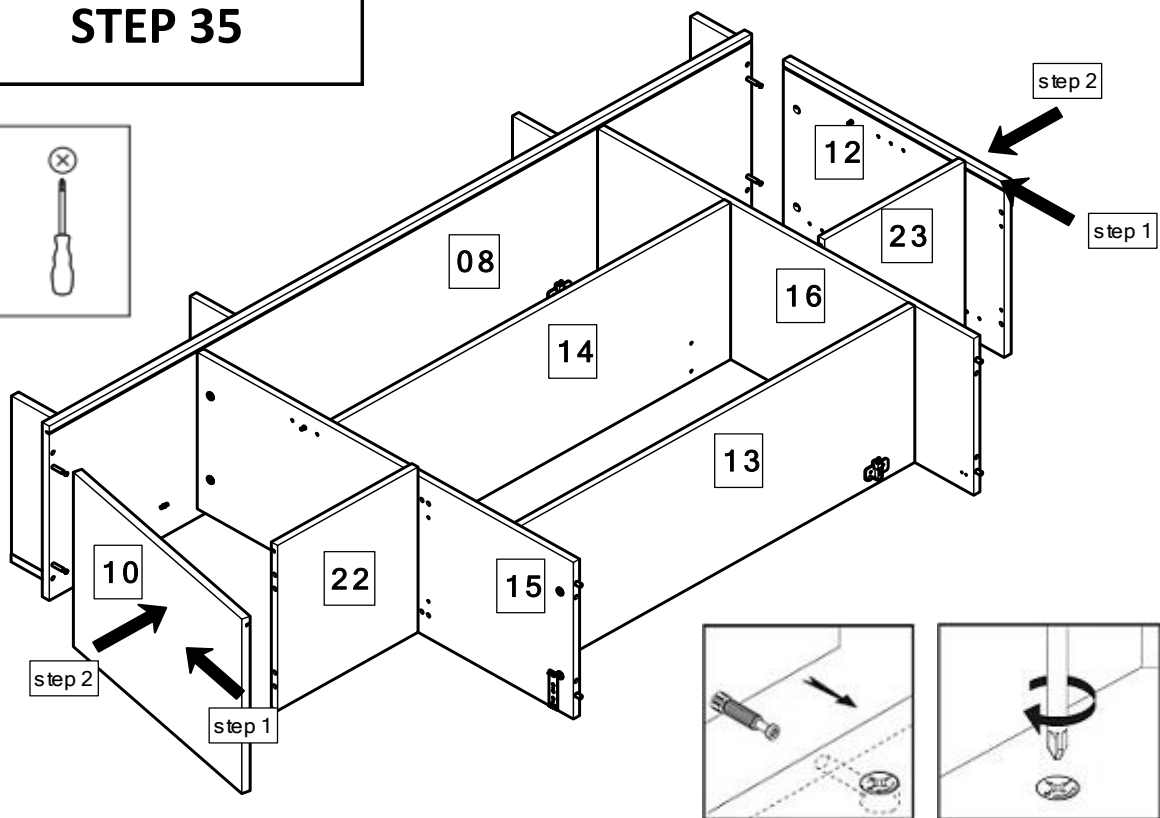
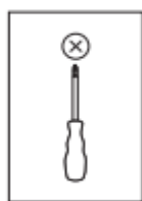


## STEP 34

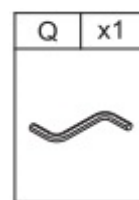
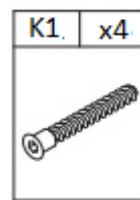
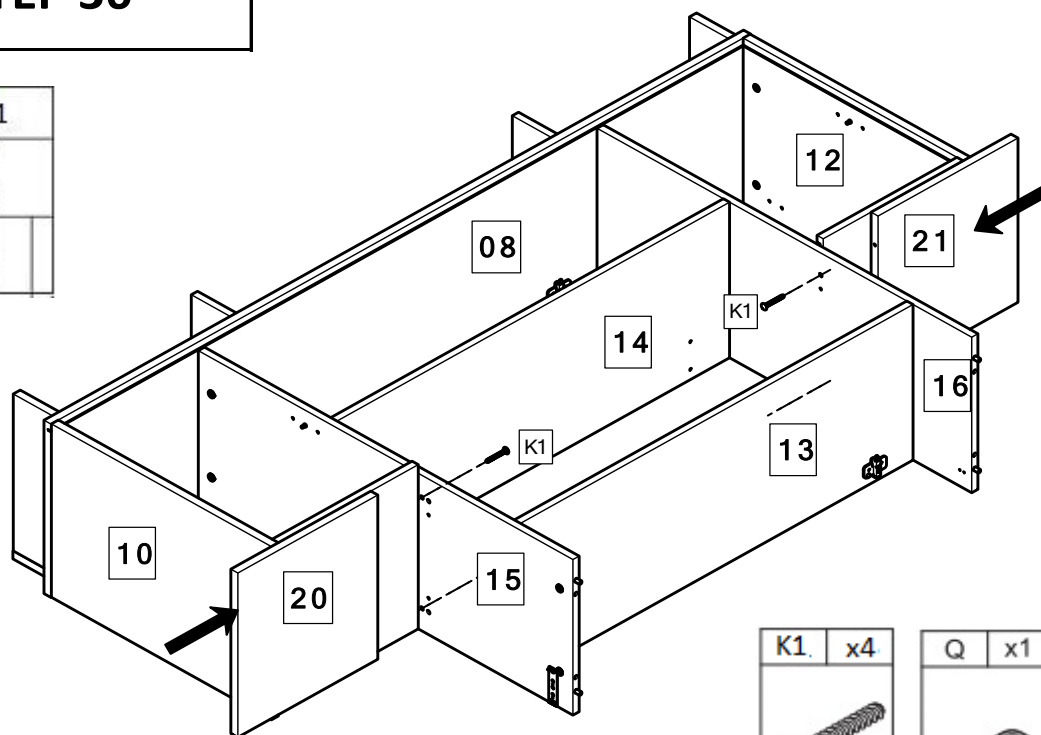
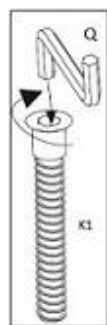
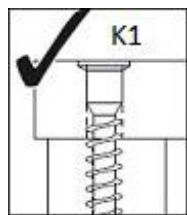


# ODESSA EF SIDEBOARD

## STEP 35

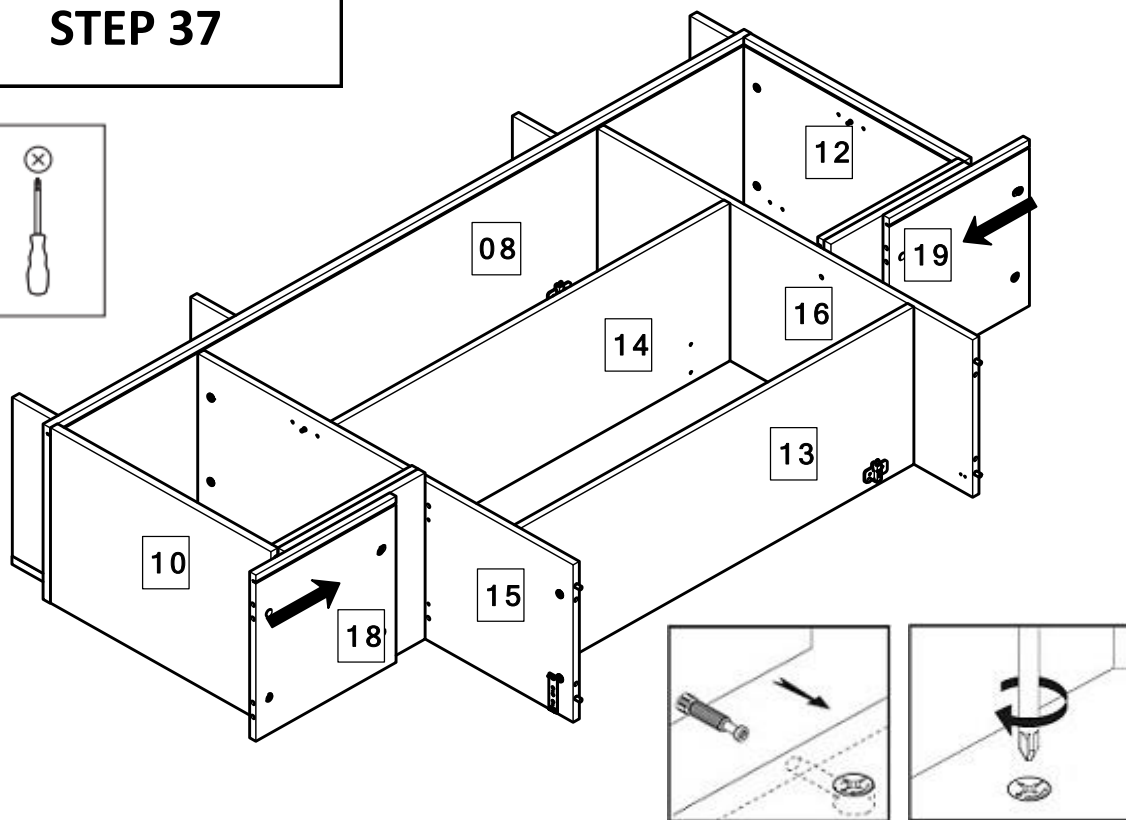
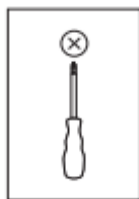


## STEP 36

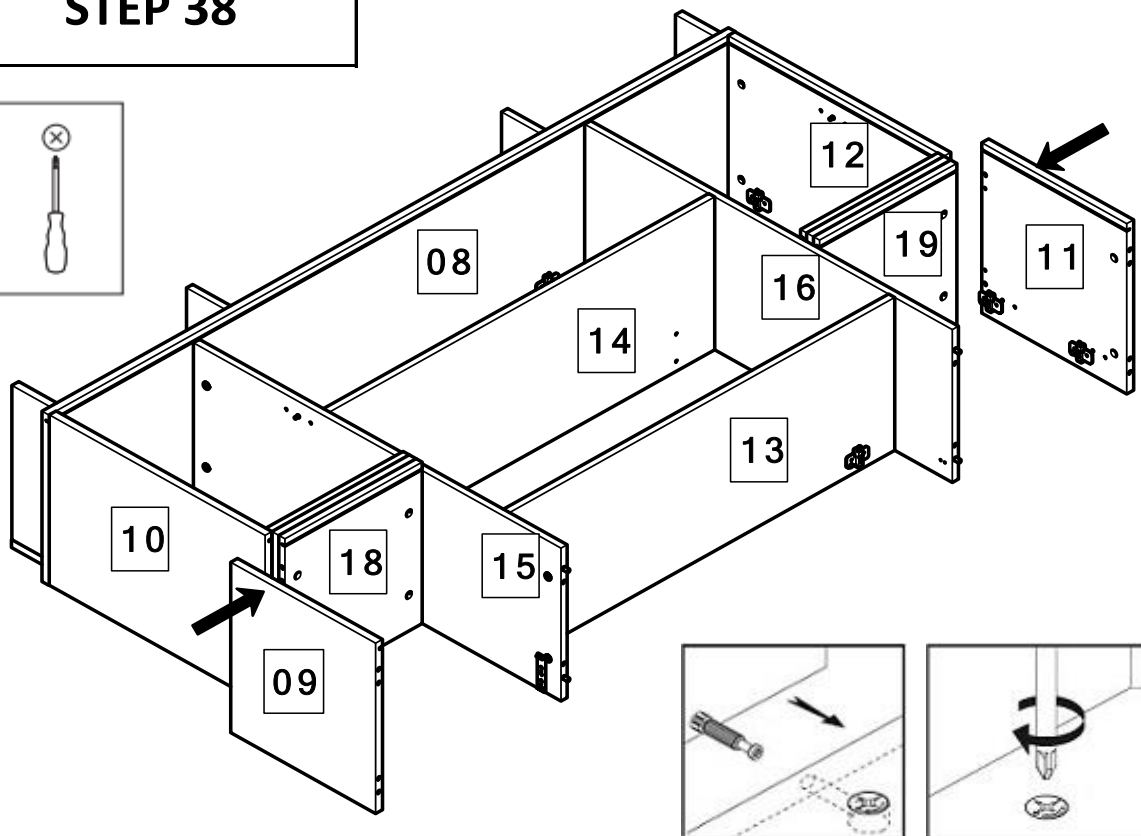
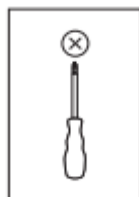


# ODESSA EF SIDEBOARD

## STEP 37

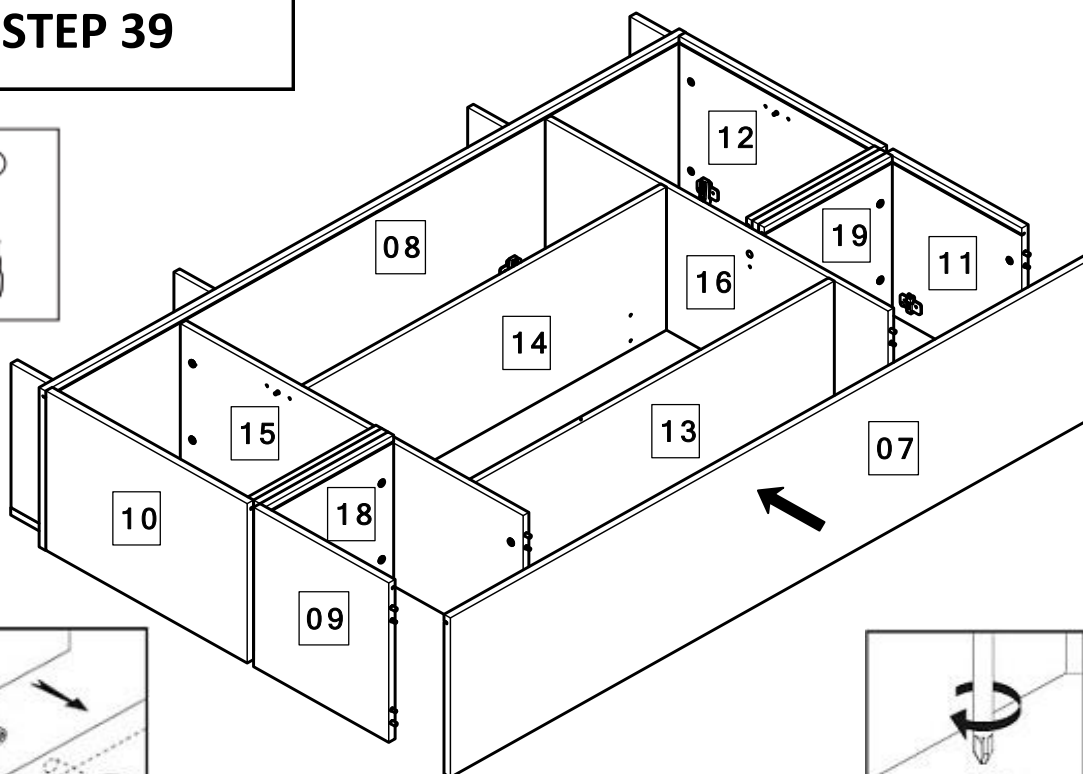
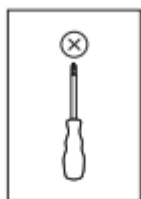


## STEP 38

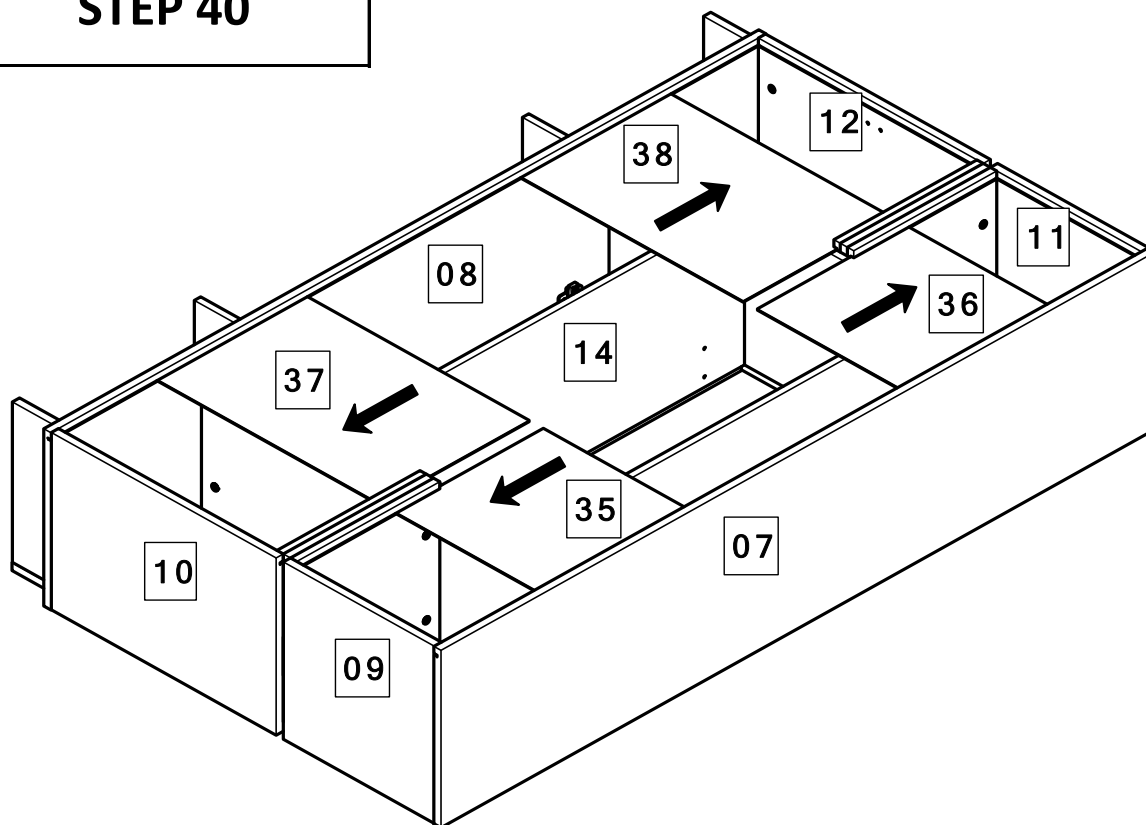


# ODESSA EF SIDEBORD

## STEP 39

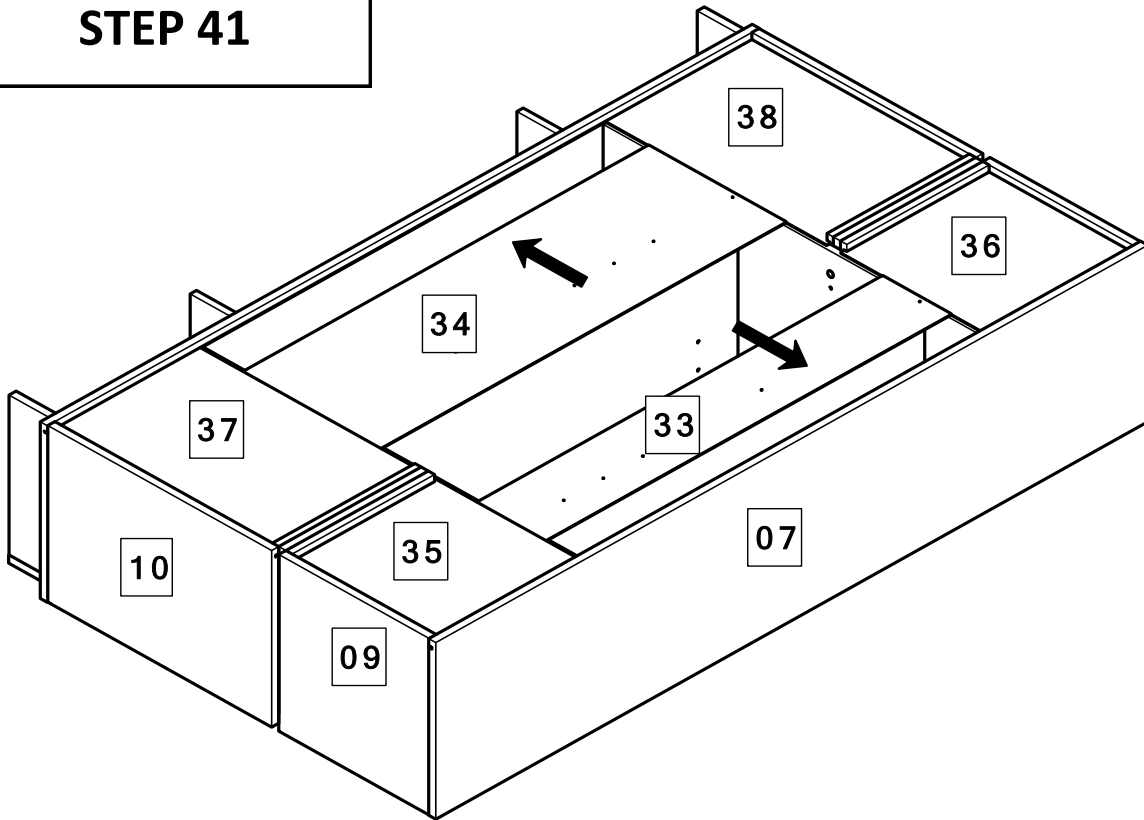


## STEP 40

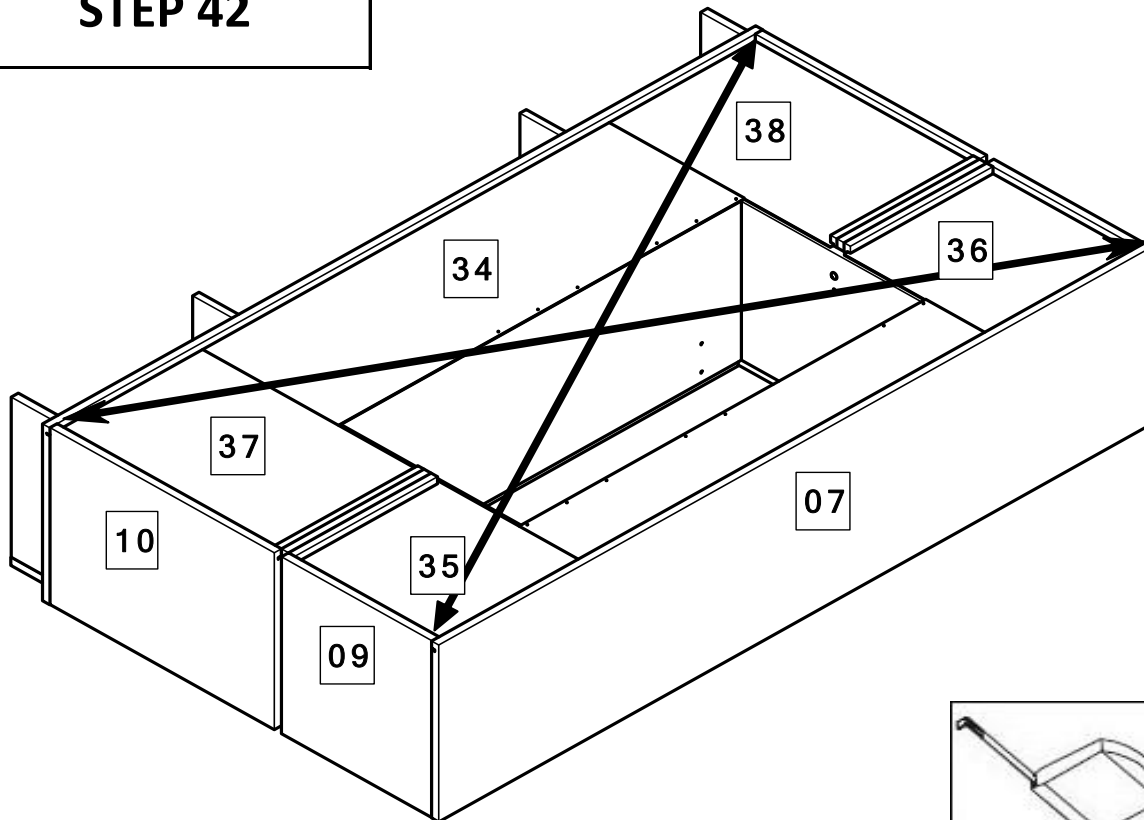


# ODESSA EF SIDEBORD

## STEP 41



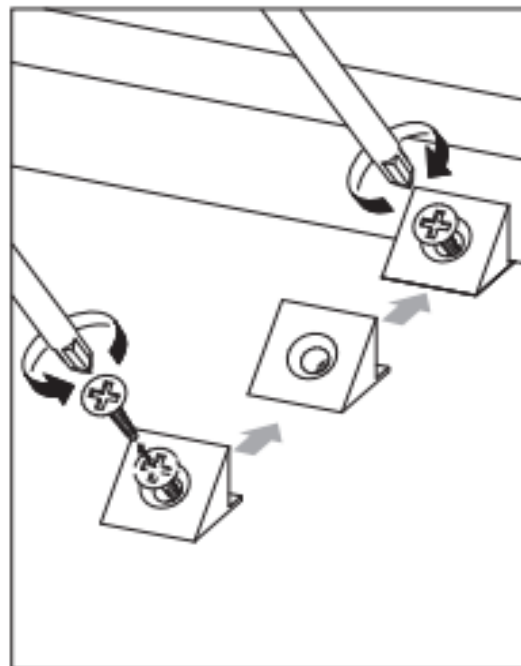
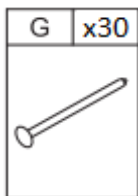
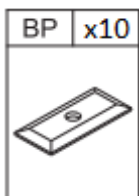
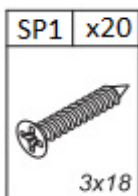
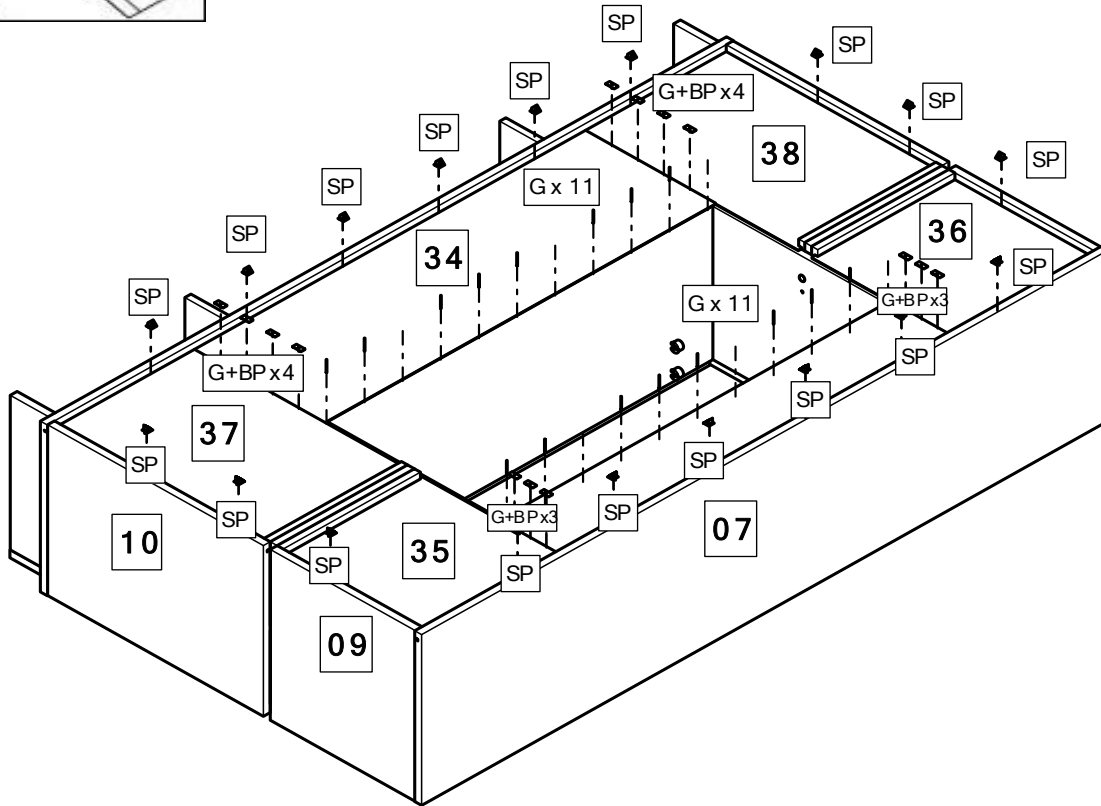
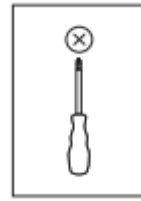
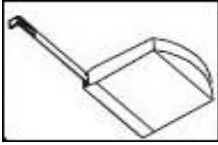
## STEP 42





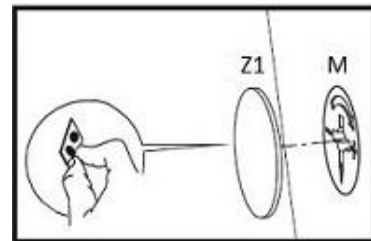
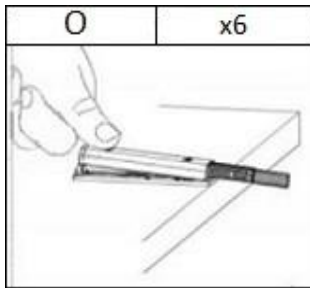
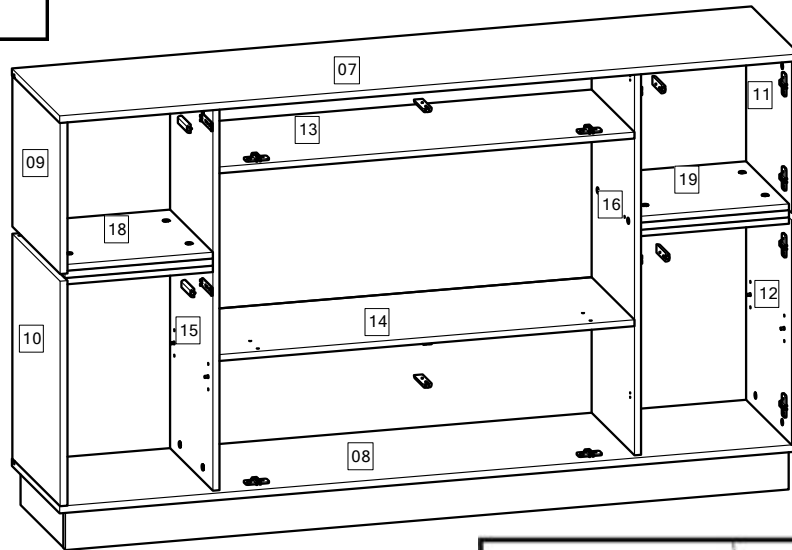
# ODESSA EF SIDEBORD

## STEP 43

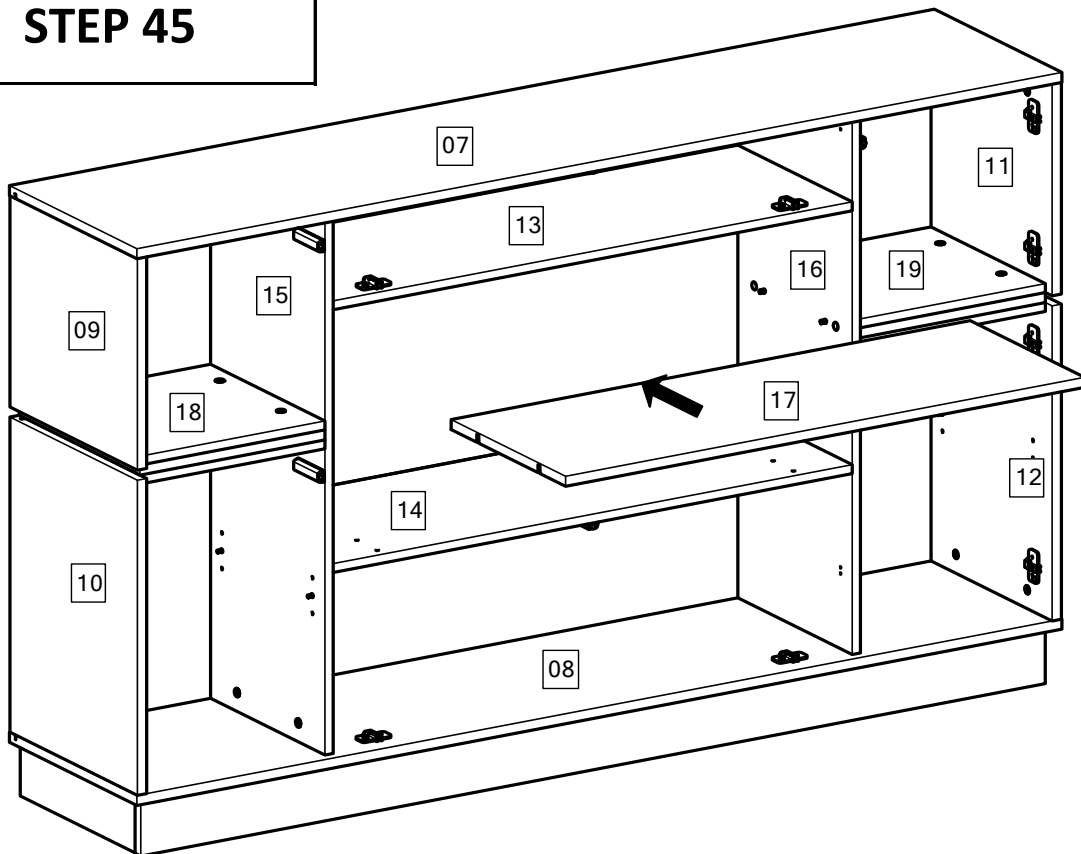


# ODESSA EF SIDEBOARD

## STEP 44

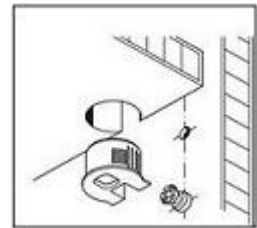
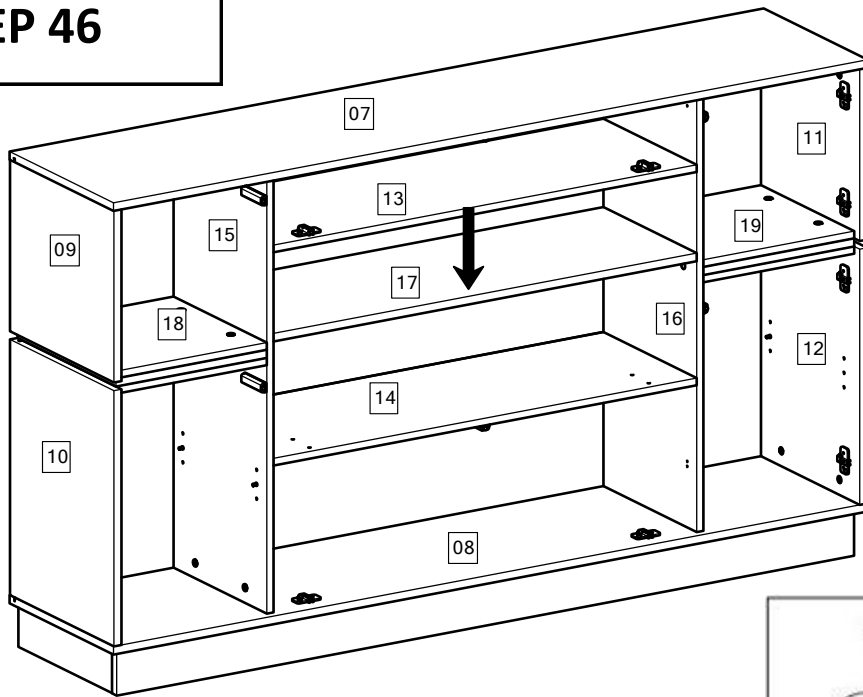


## STEP 45

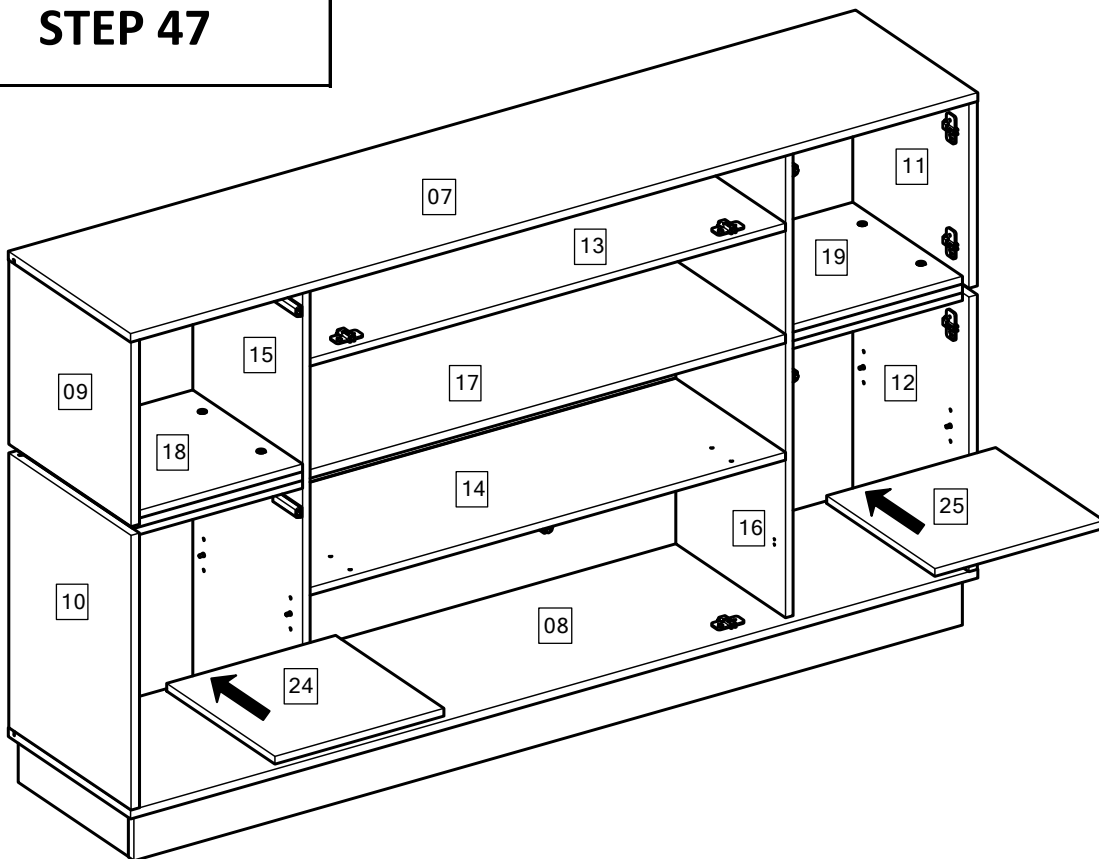


# ODESSA EF SIDEBORD

## STEP 46

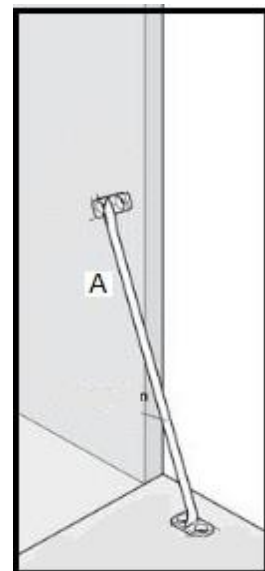
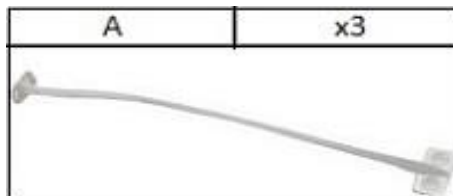
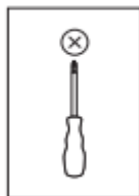
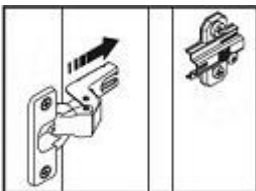
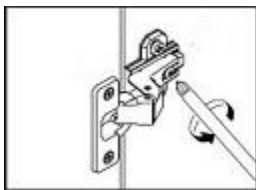
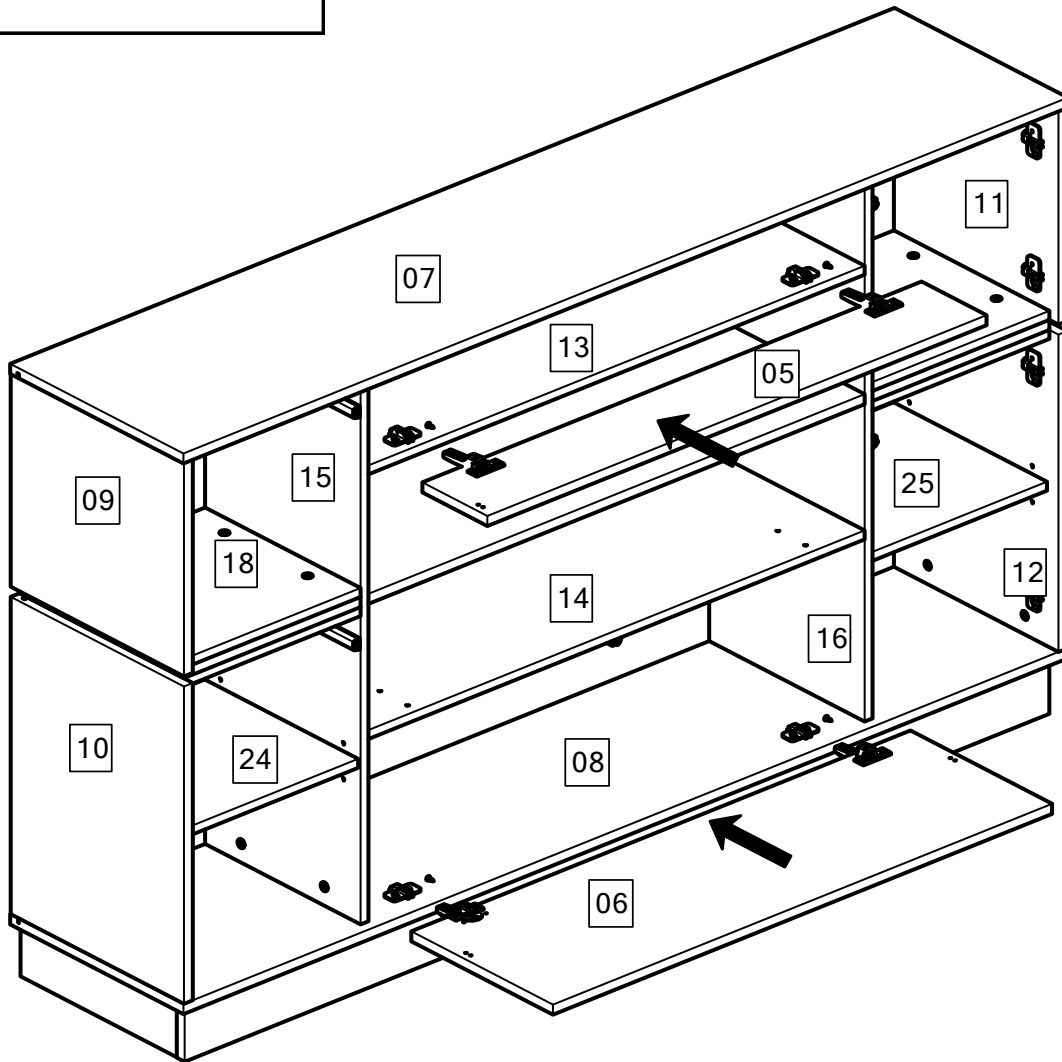


## STEP 47



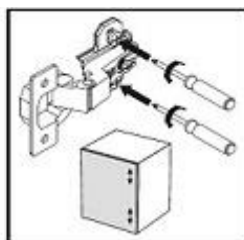
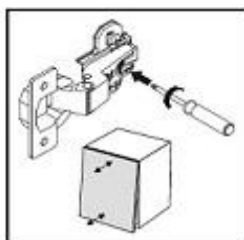
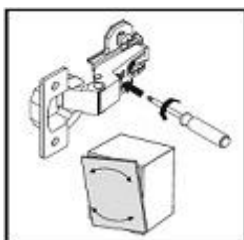
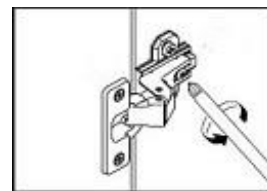
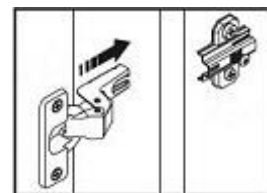
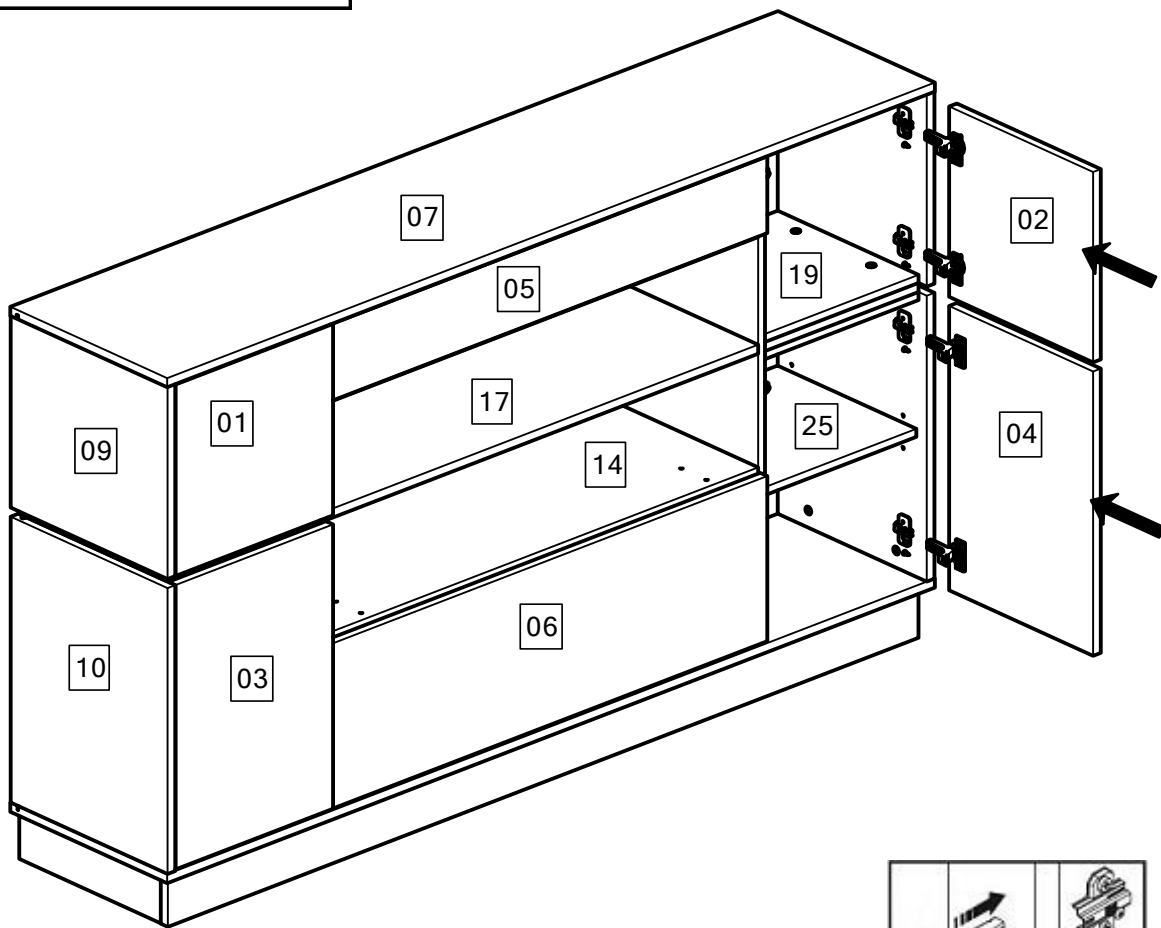
# ODESSA EF SIDEBOARD

## STEP 48



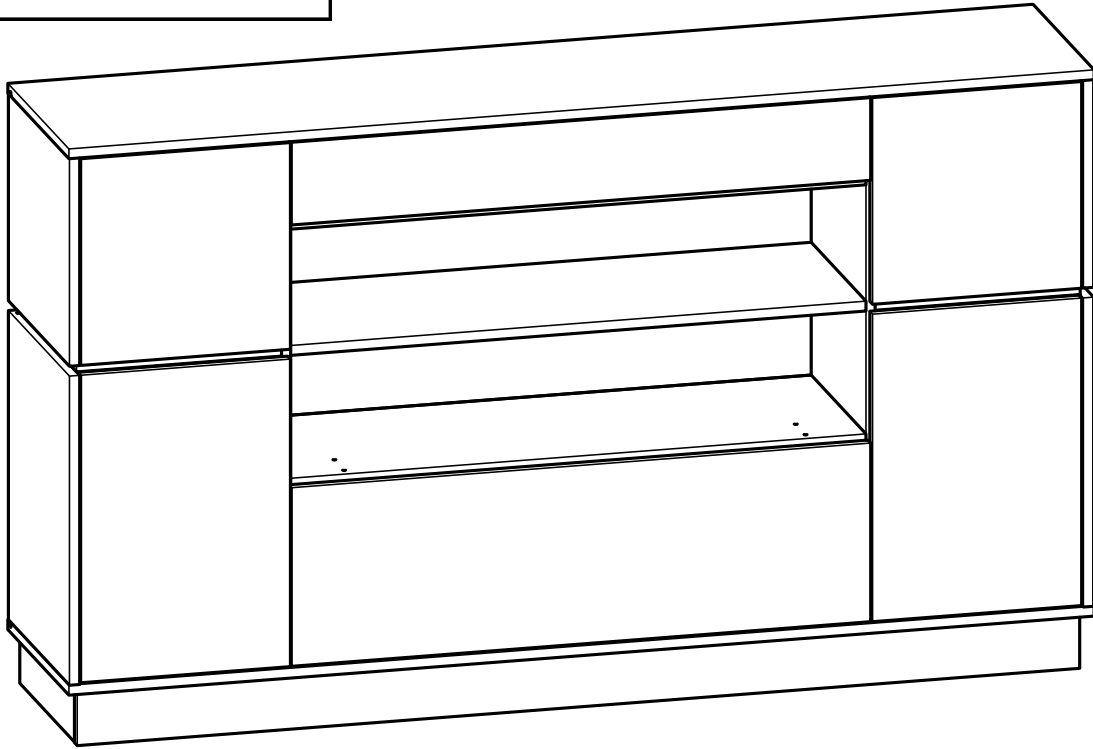
# ODESSA EF SIDEBOARD

## STEP 49



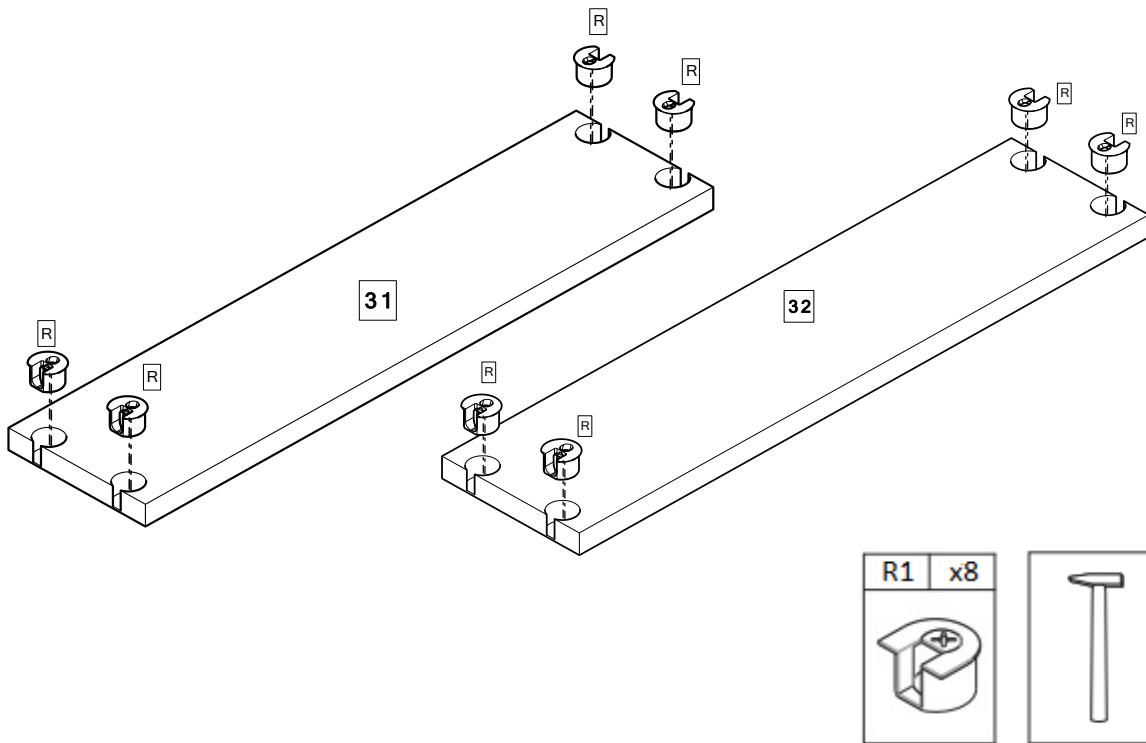
# ODESSA EF SIDEBOARD

## STEP 50



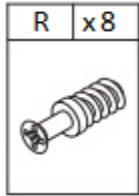
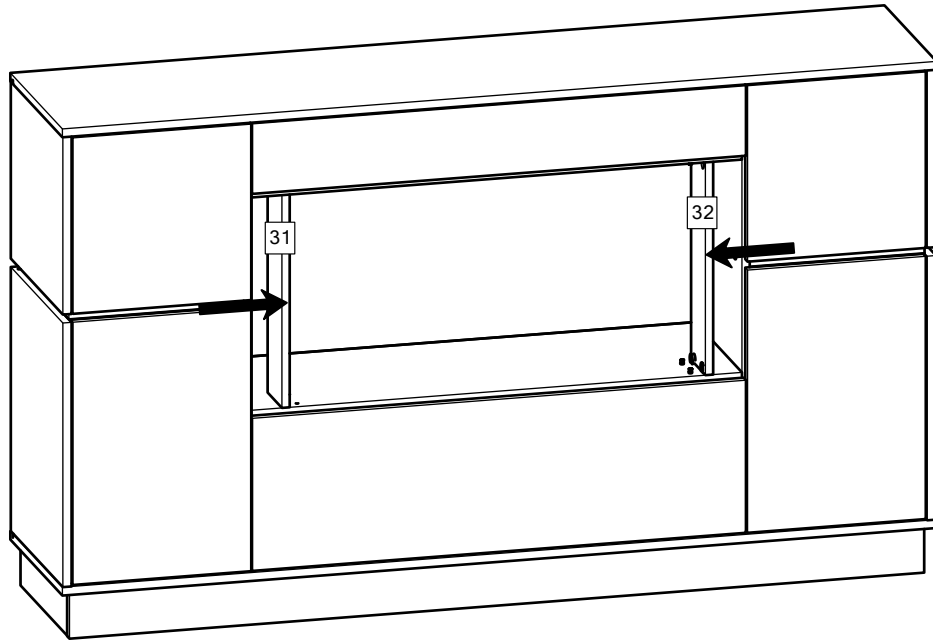
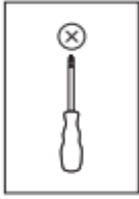
## STEP 51

ONLY IF WITH FIREPLACE

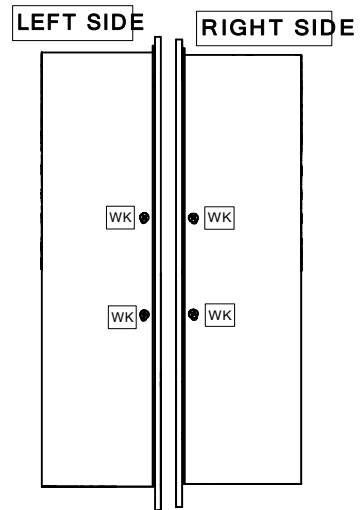
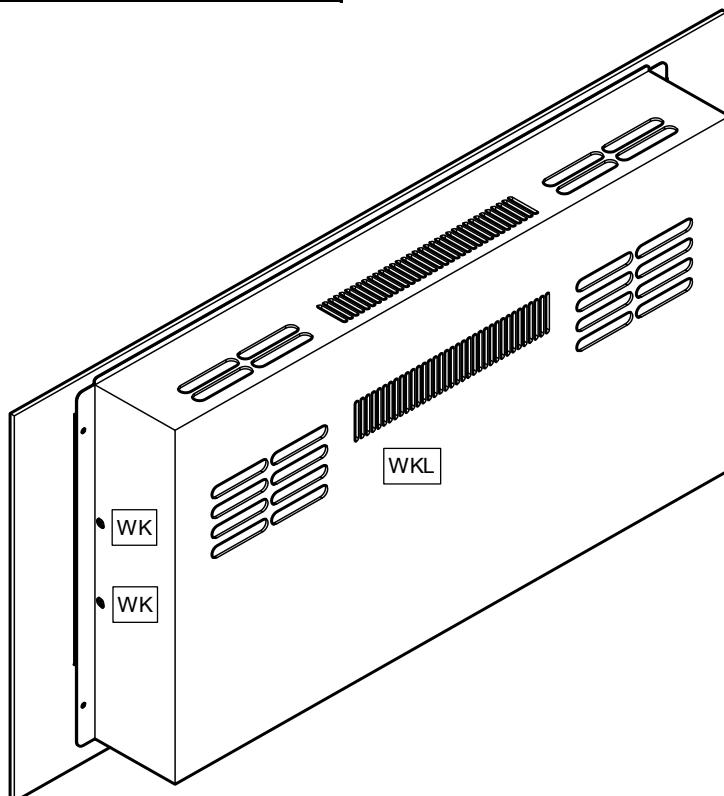


# ODESSA EF SIDEBORD

## STEP 52

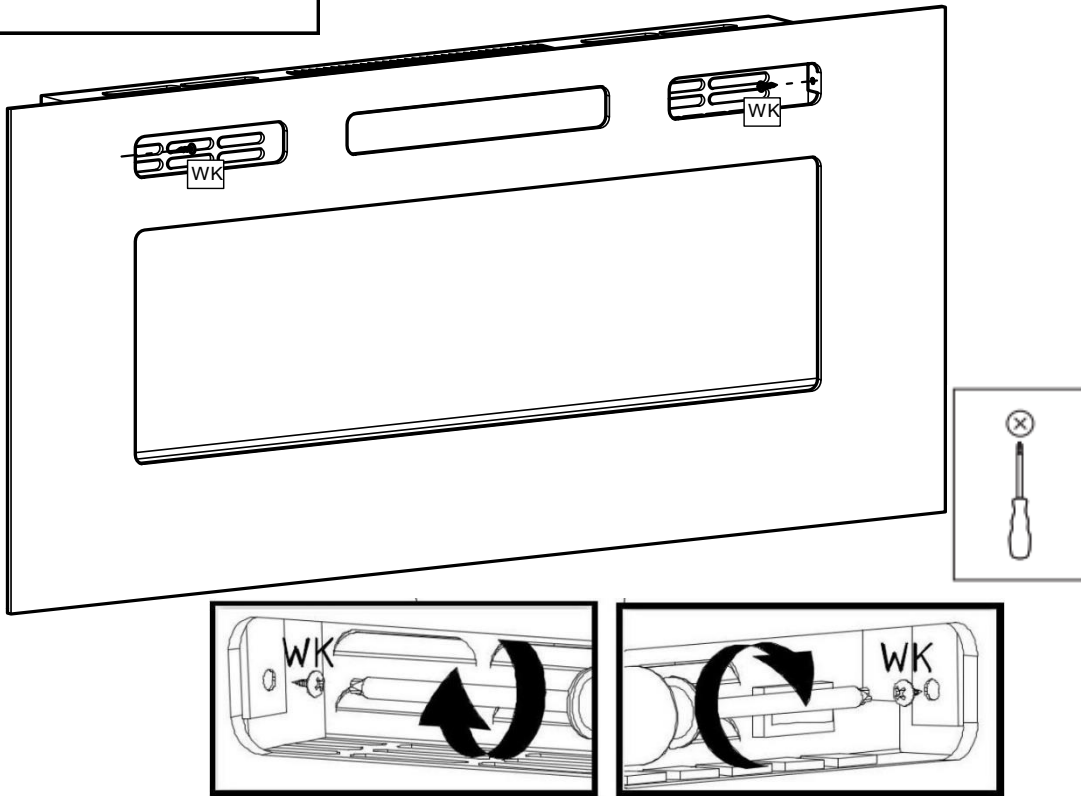


## STEP 53

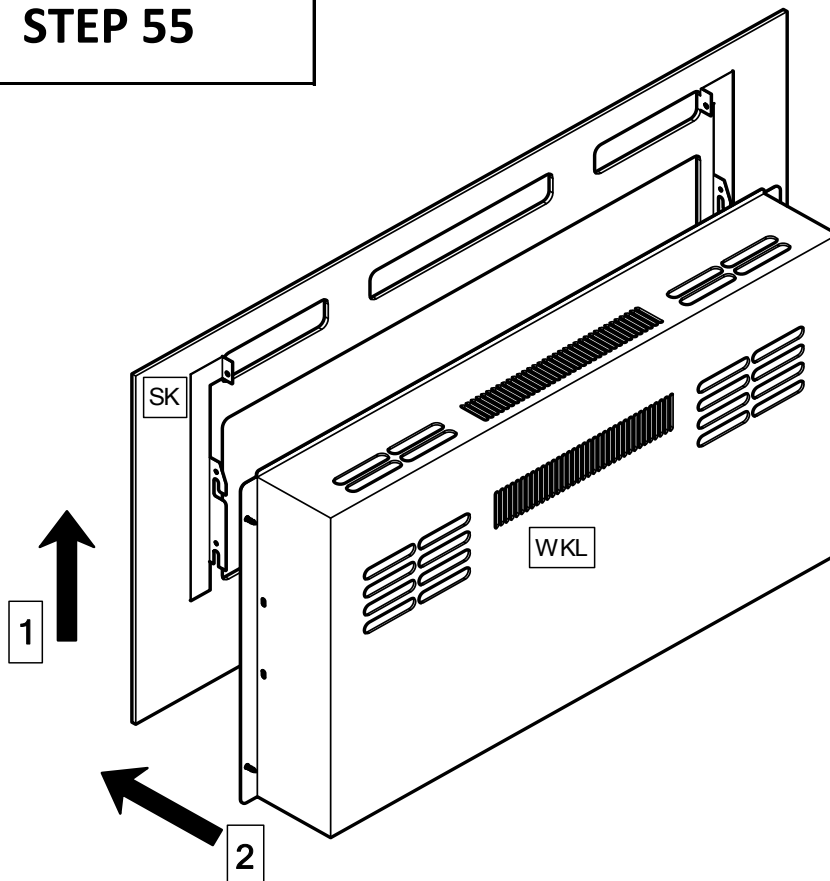


# ODESSA EF SIDEBORD

## STEP 54



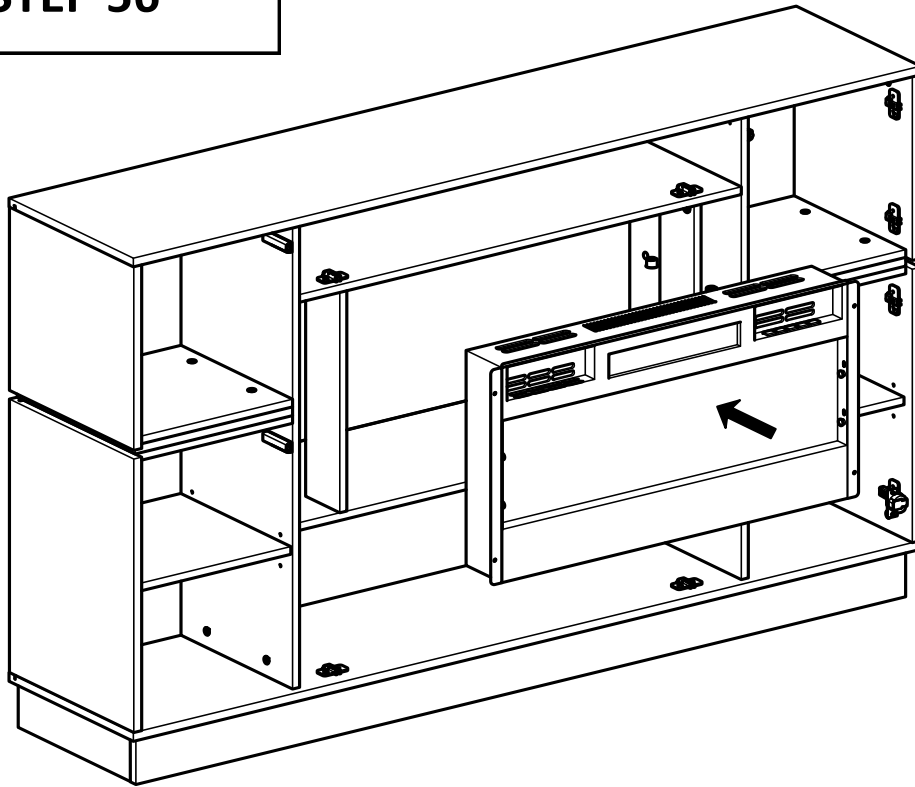
## STEP 55



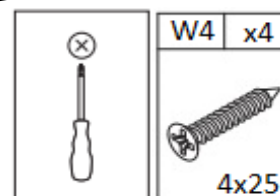
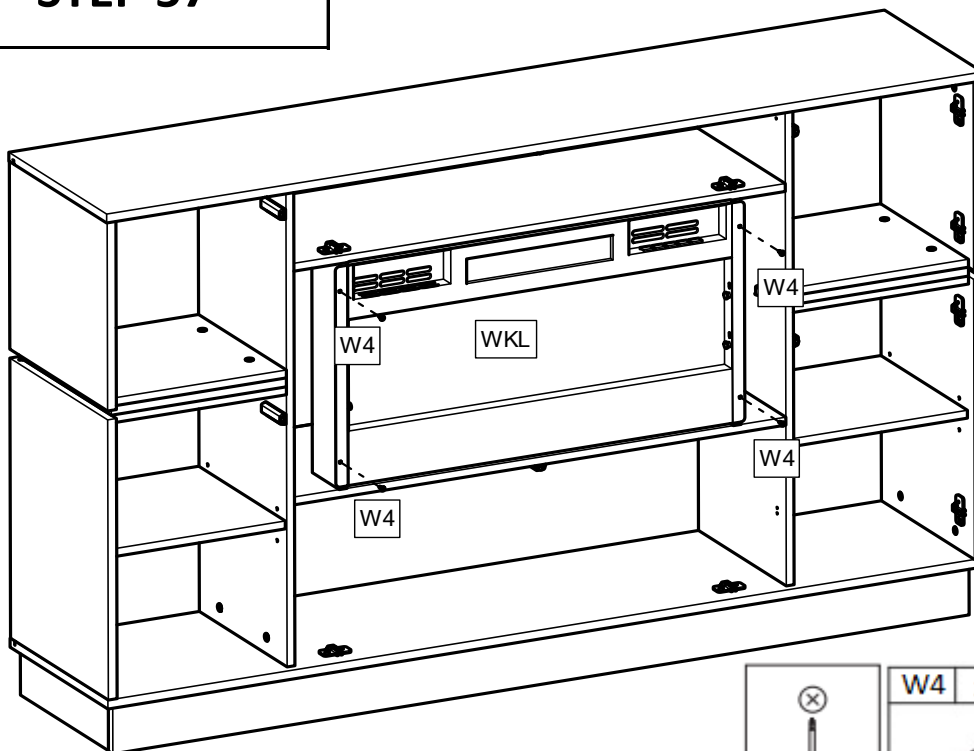


# ODESSA EF SIDEBORD

## STEP 56

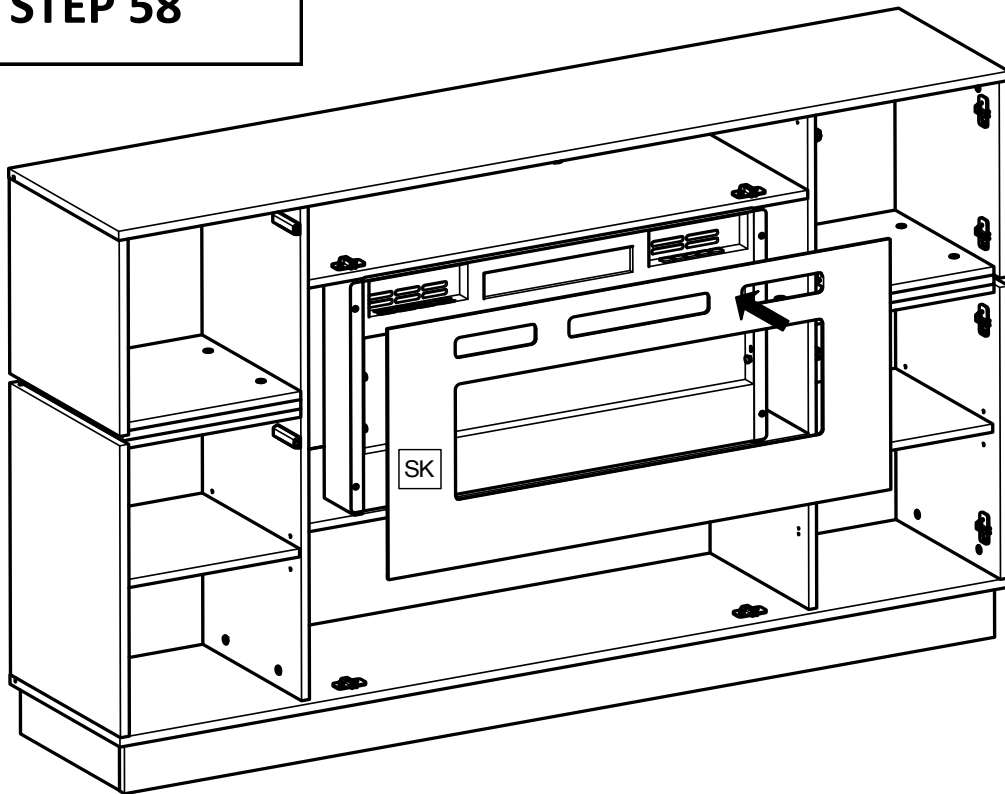


## STEP 57

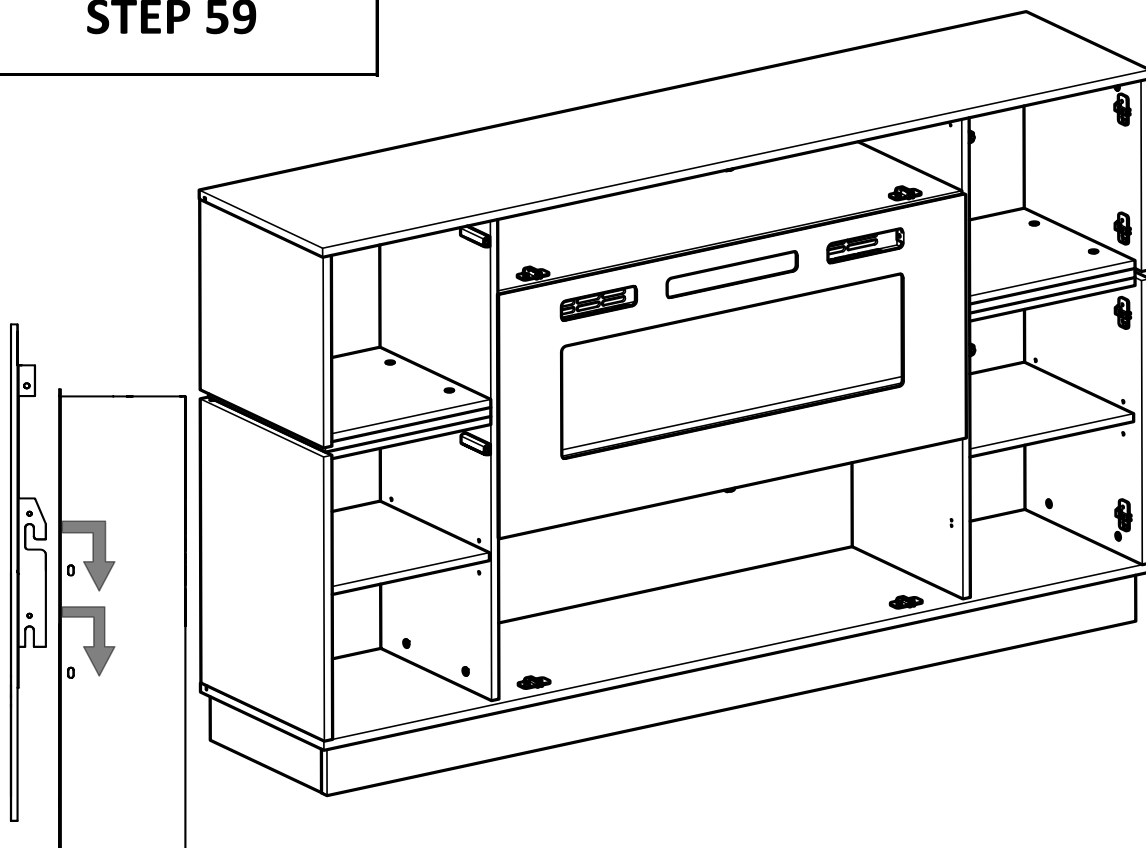


# ODESSA EF SIDEBOARD

## STEP 58



## STEP 59



# ODESSA EF SIDEBOARD

## STEP 60

