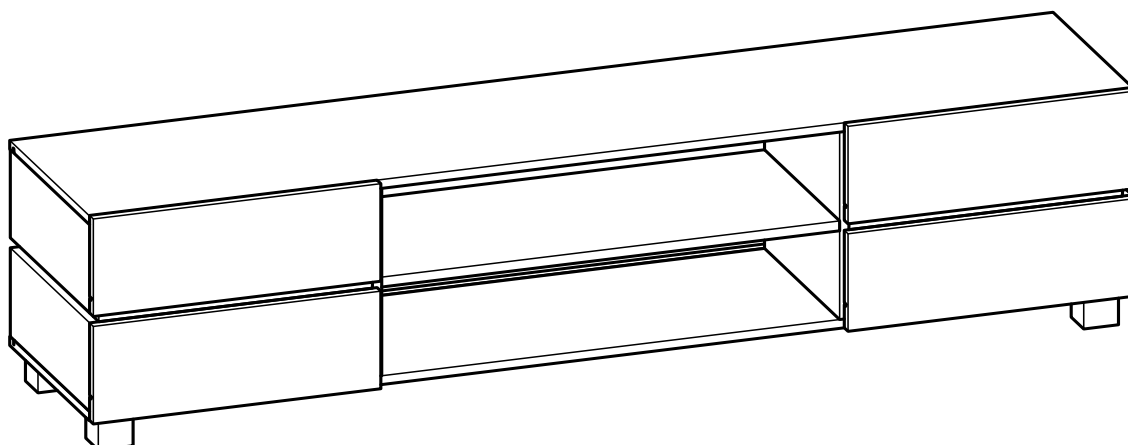


BONO EF TV STAND



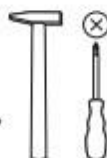
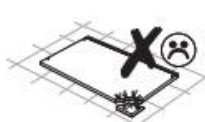
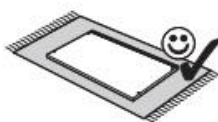
No	L (inch)	W (inch)	qnt	No	L (inch)	W (inch)	qnt
1	708.66	149.61	1	20	156.93	49.21	1
2	708.66	149.61	1	21	137.80	49.21	1
3	149.61	63.39	1	22	137.80	49.21	1
4	149.61	63.39	1	23	156.93	49.21	1
5	149.61	63.39	1	24	162.83	137.40	1
6	149.61	63.39	1	25	162.83	137.40	1
7	141.73	133.86	1	26	162.83	137.40	1
8	141.73	133.86	1	27	162.83	137.40	1
9	185.83	149.61	1	28	187.01	67.32	1
10	185.83	149.61	1	29	187.01	67.32	1
11	311.02	141.73	1	30	187.01	67.32	1
12	137.80	49.21	1	31	187.01	67.32	1
13	137.80	49.21	1	32	195.28	69.69	1
14	156.93	49.21	1	33	195.28	69.69	1
15	137.80	49.21	1	34	195.28	69.69	1
16	137.80	49.21	1	35	195.28	69.69	1
17	156.93	49.21	1	36	133.86	39.37	1
18	137.80	49.21	1	37	133.86	39.37	1
19	137.80	49.21	1	38			1

EN- Please do not assemble the furniture if its parts are damaged.

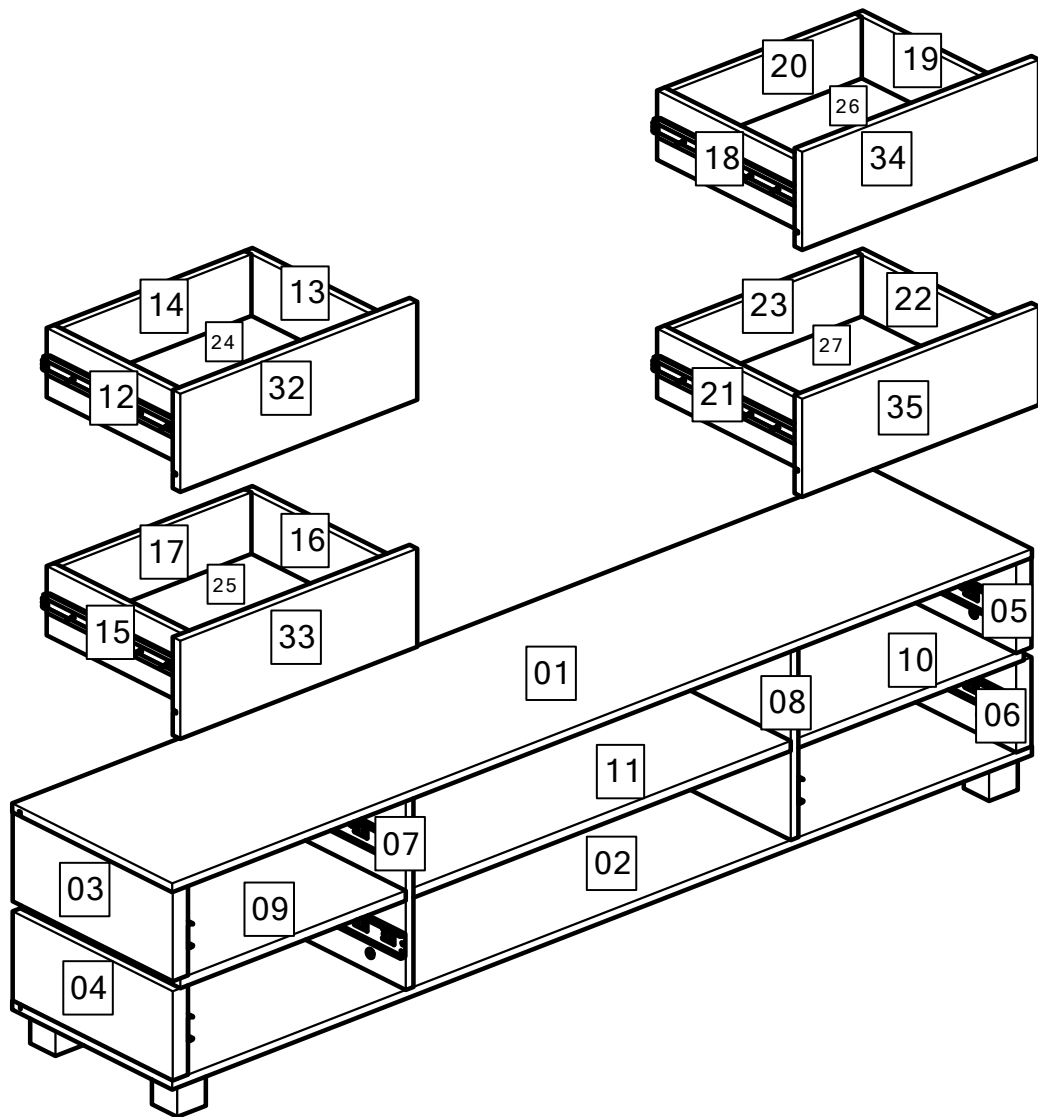
Before assembling, individual elements of the furniture should be carefully inspected. In case of visible damage, it should be reported along with photographic documentation, to analyse the complaint and take appropriate action.





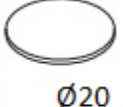
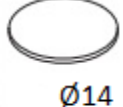












180 min.

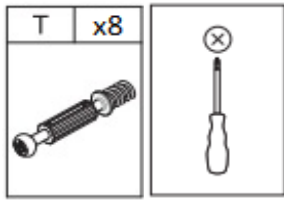


BONO EF TV STAND

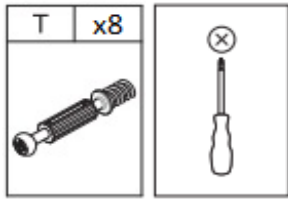
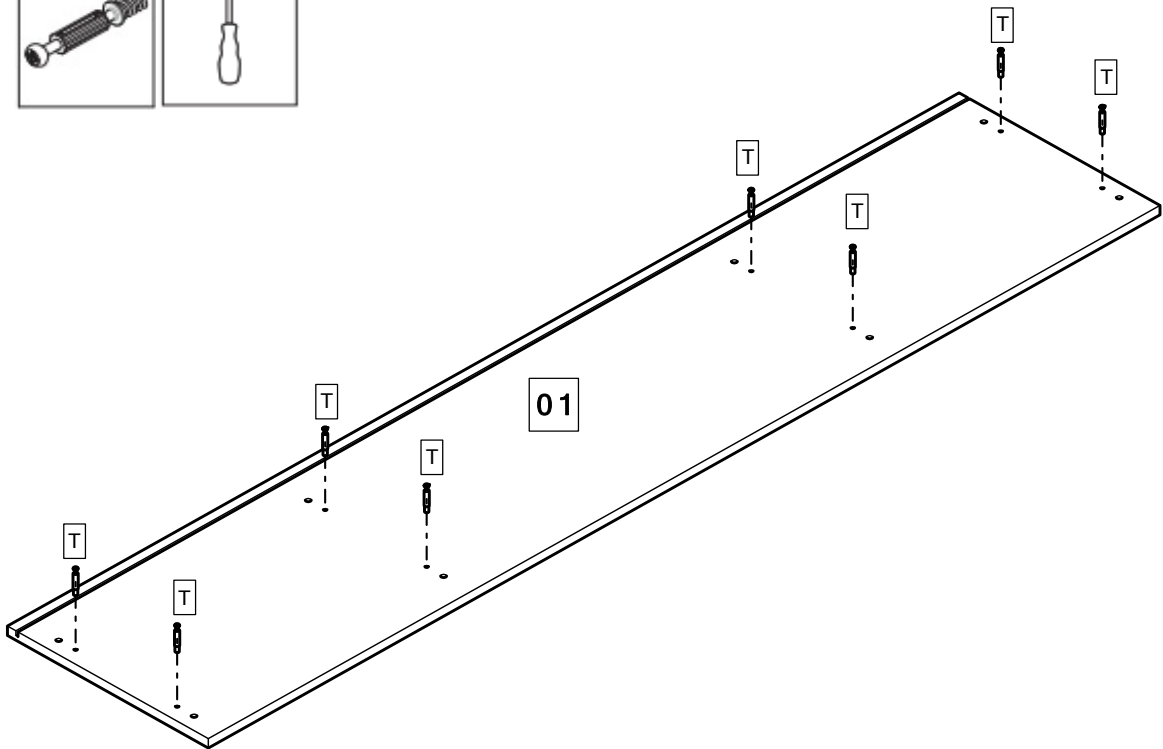


T x44	M x44	SP1 x24	SP x24	Z1 x28	Z x4	K x64	W2 x48
		 3x18		 Ø20	 Ø14	 8x35	 3,5x16
W1 x20	W3 x4	R1 x4	R x4	G x8	BP x8	N x5	
 4x16	 4x20						
P		x4					
							
				(PB+PS)			

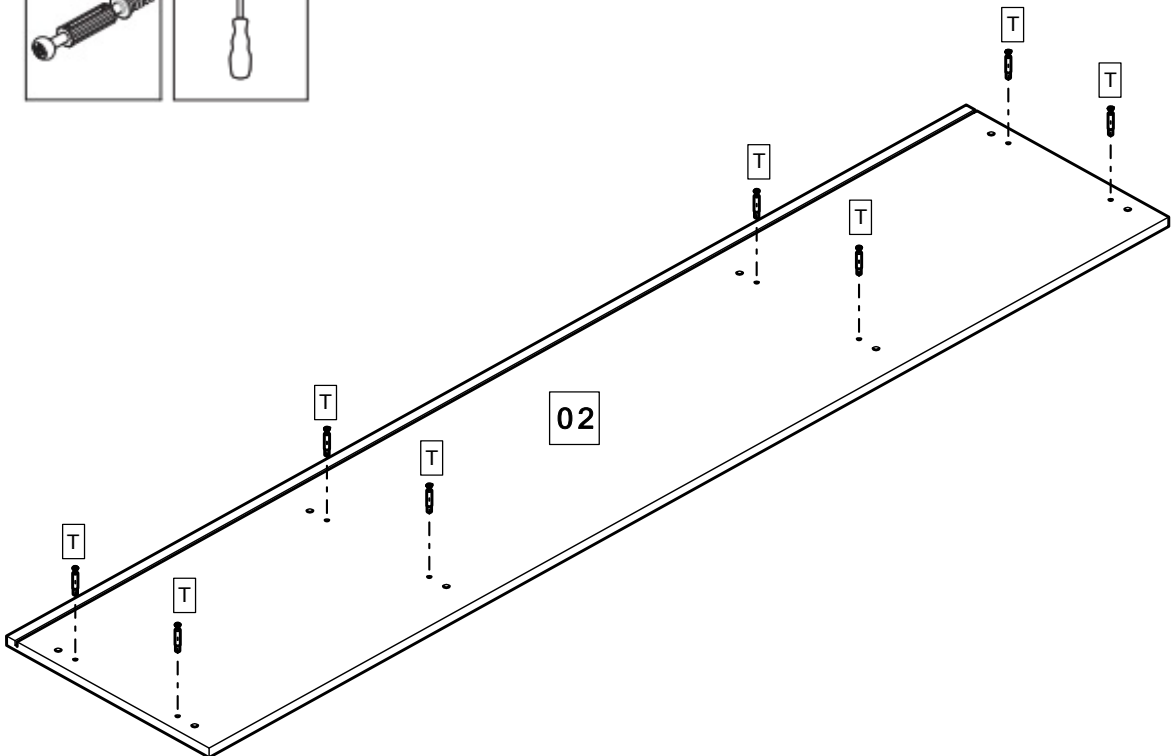
BONO EF TV STAND



STEP 1

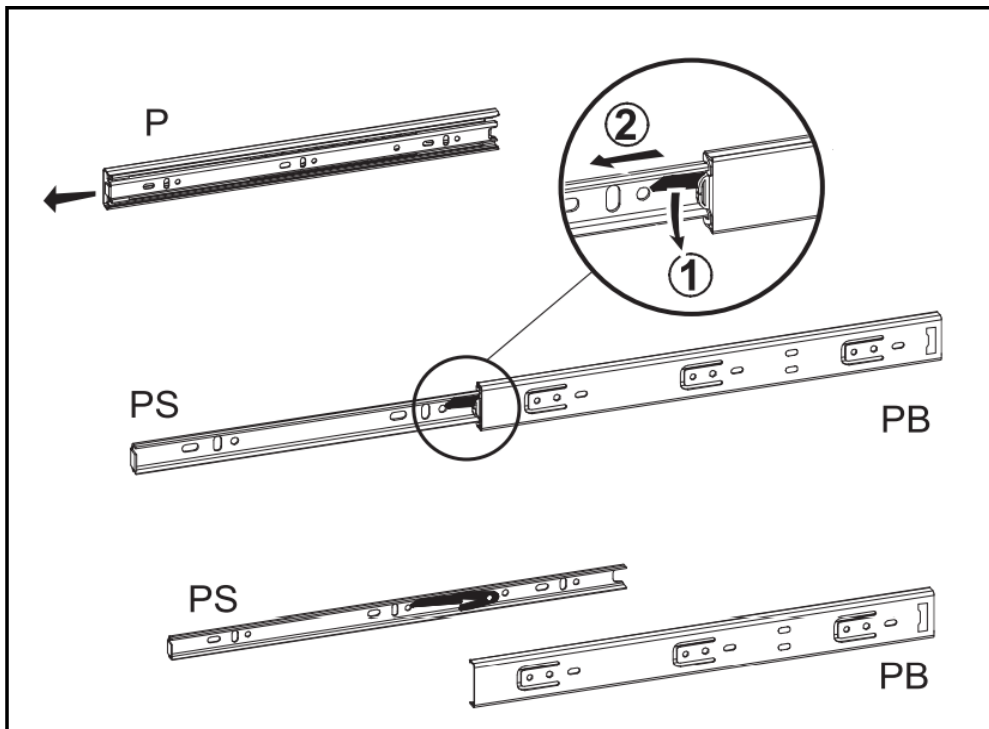


STEP 2

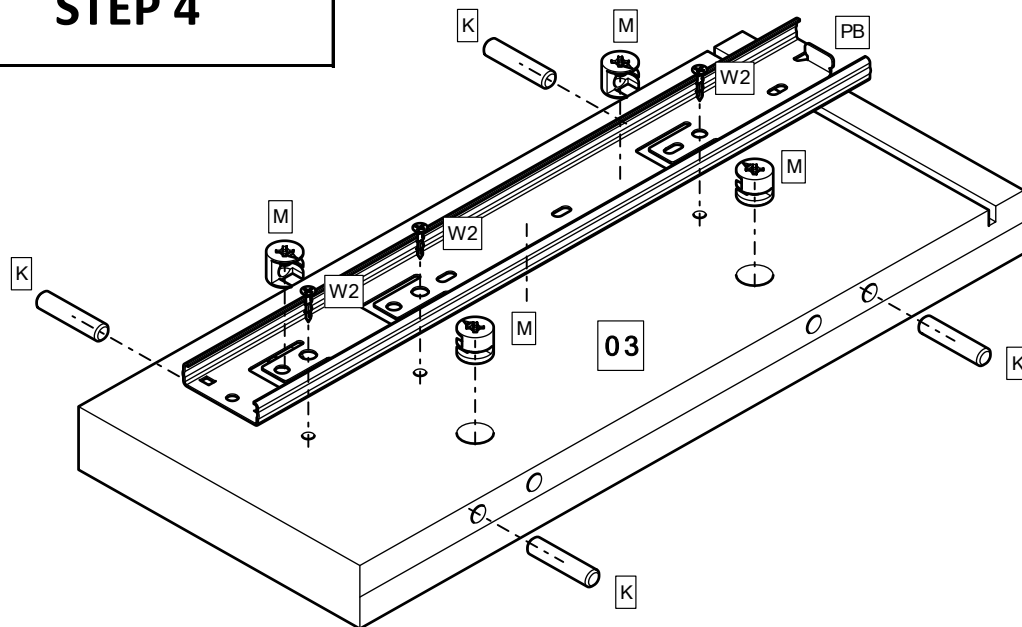



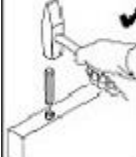




BONO EF TV STAND

STEP 3



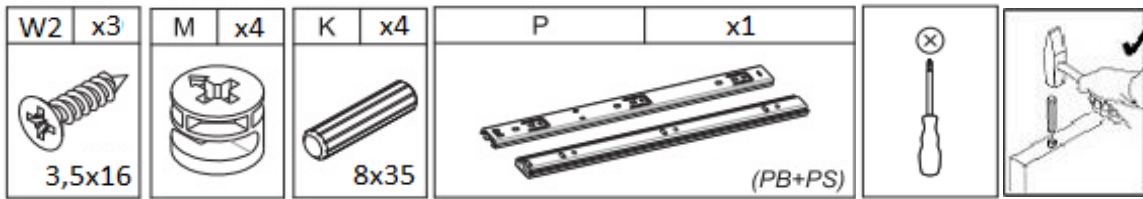
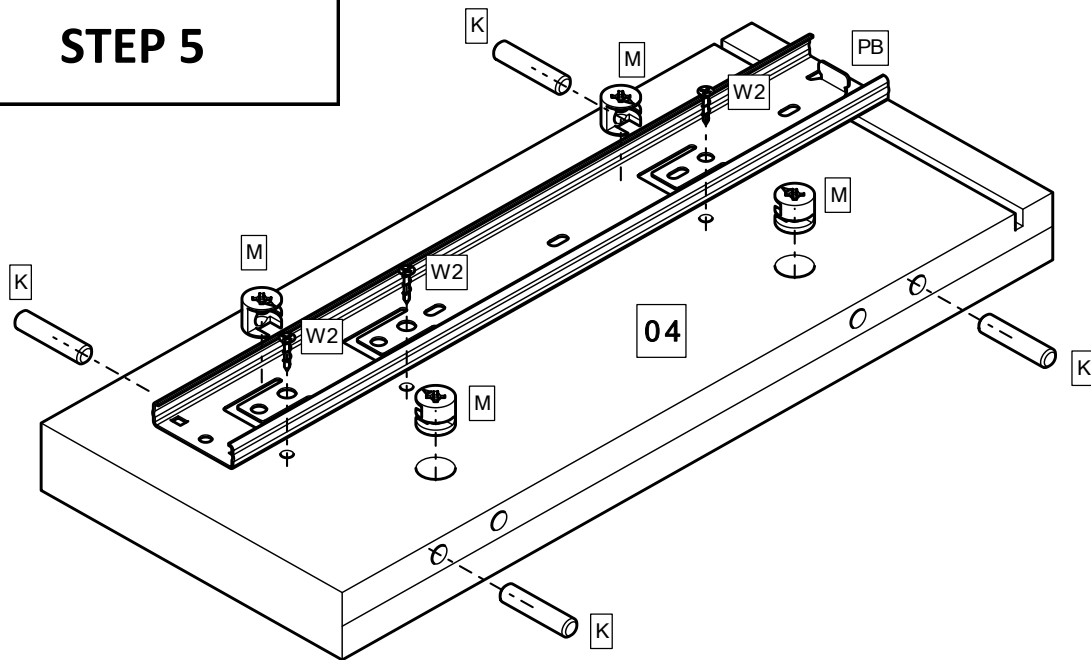
STEP 4



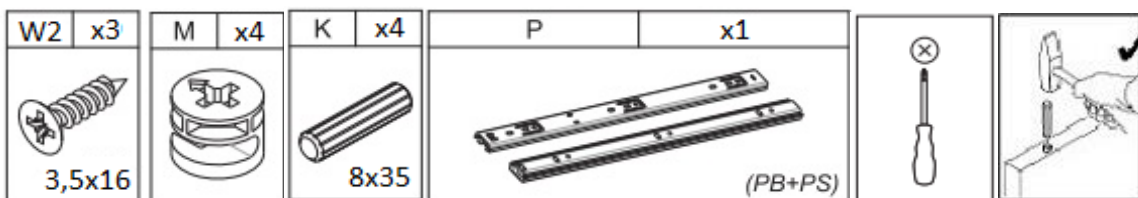
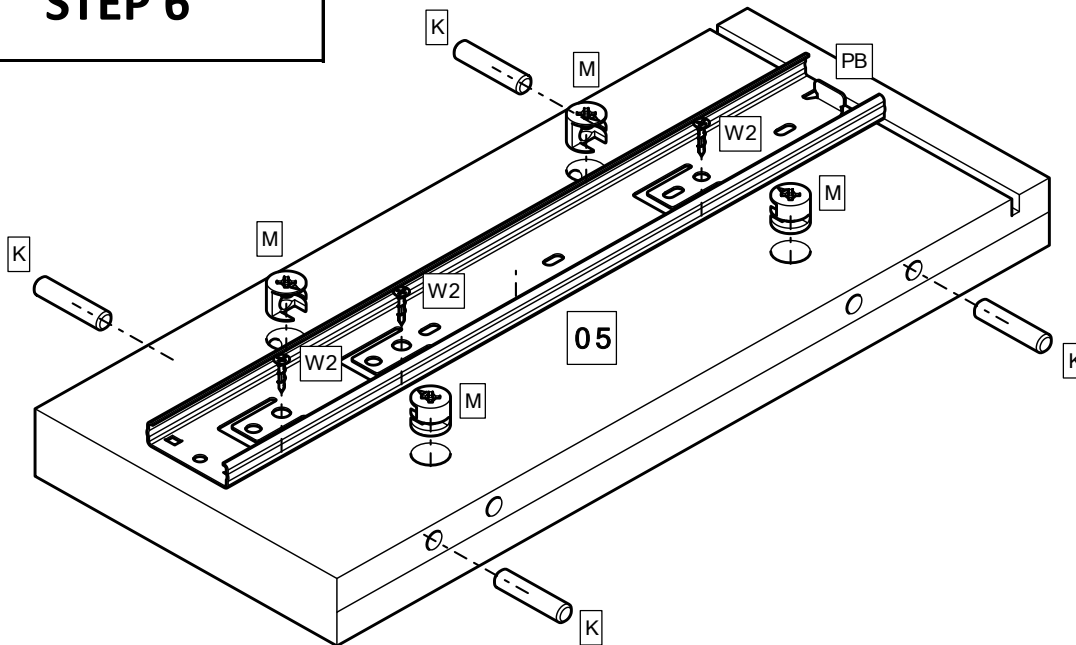
W2	x3	M	x4	K	x4	P	x1	 
 3,5x16		 8x35	 (PB+PS)					

BONO EF TV STAND

STEP 5

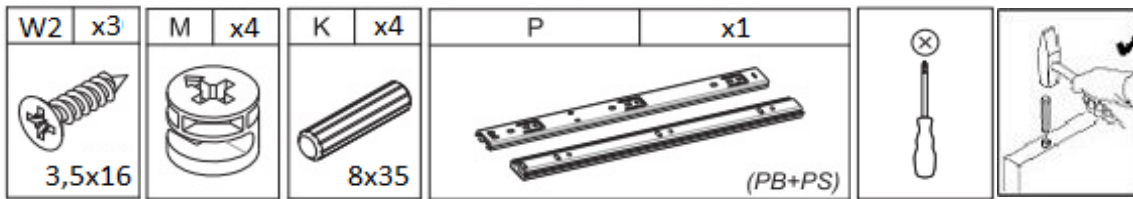
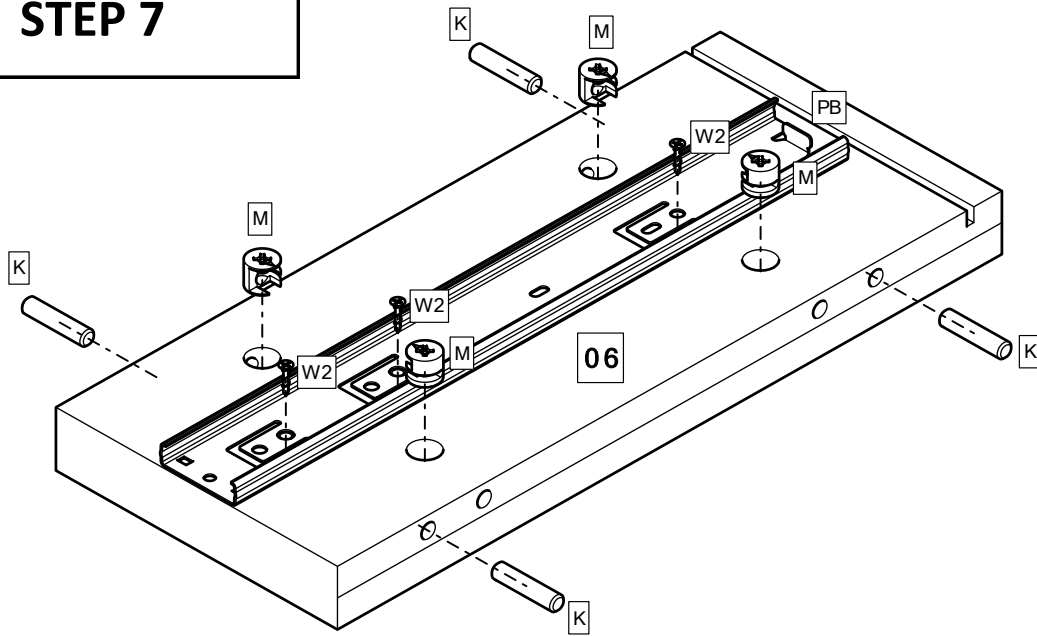


STEP 6

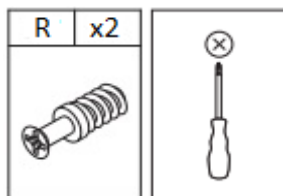
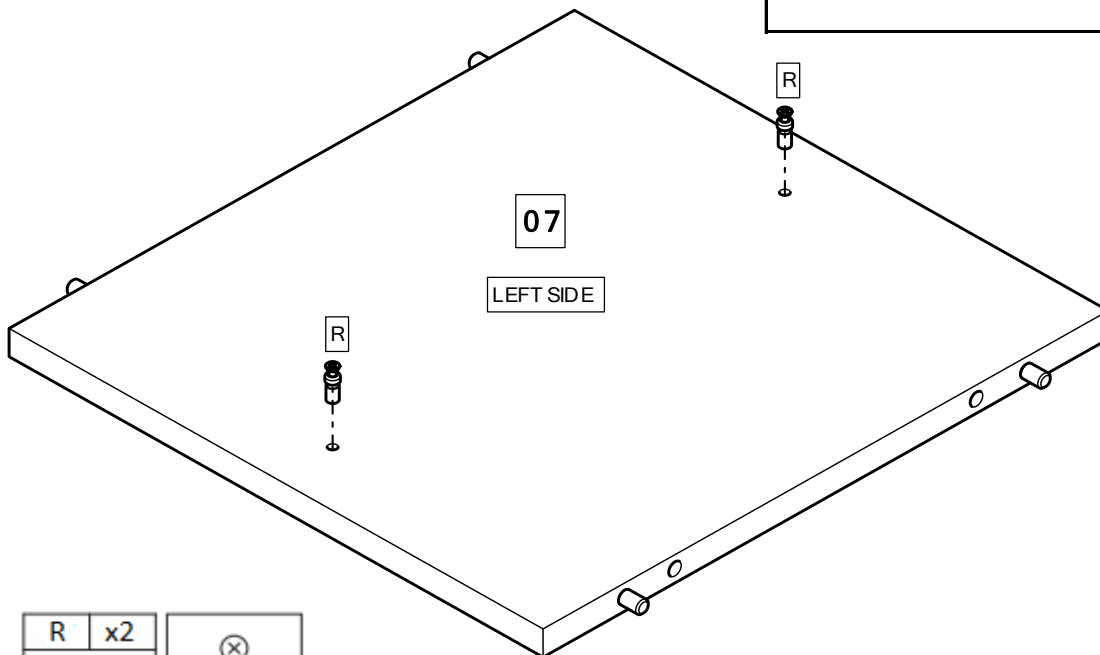


BONO EF TV STAND

STEP 7

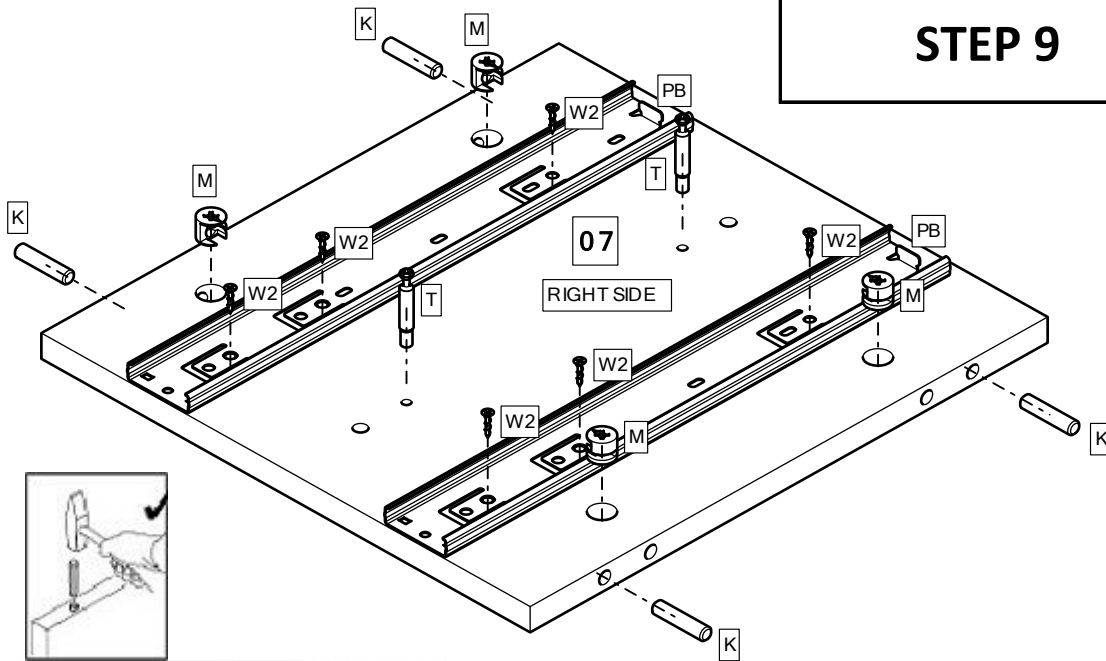








STEP 8



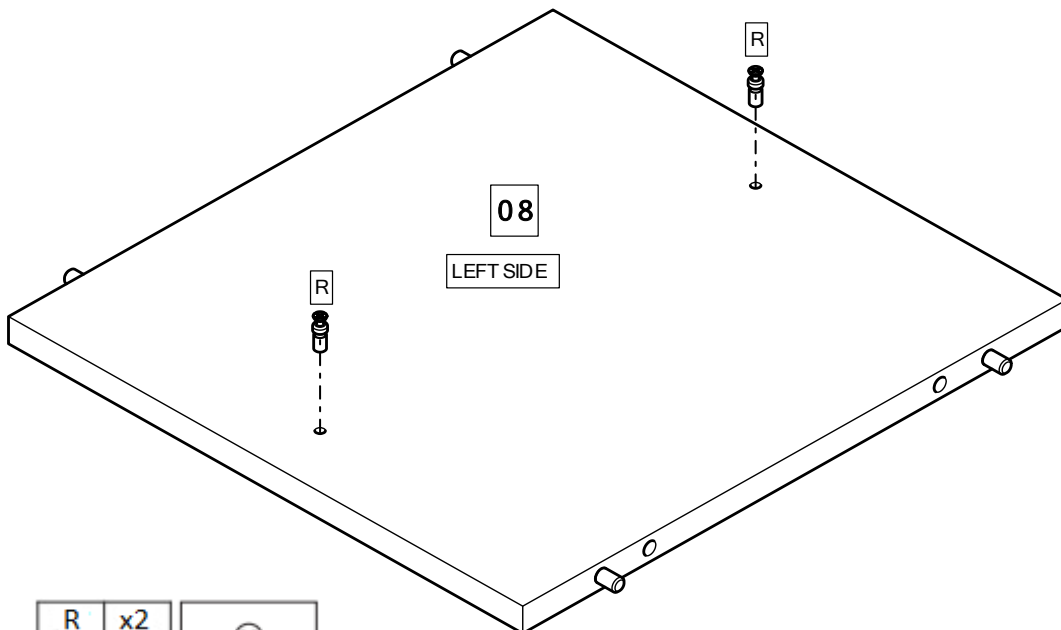
BONO EF TV STAND



STEP 9



M x4	K x4	T x2	W2 x6	P x2	
	 8x35		 3,5x16	 (PB+PS)	

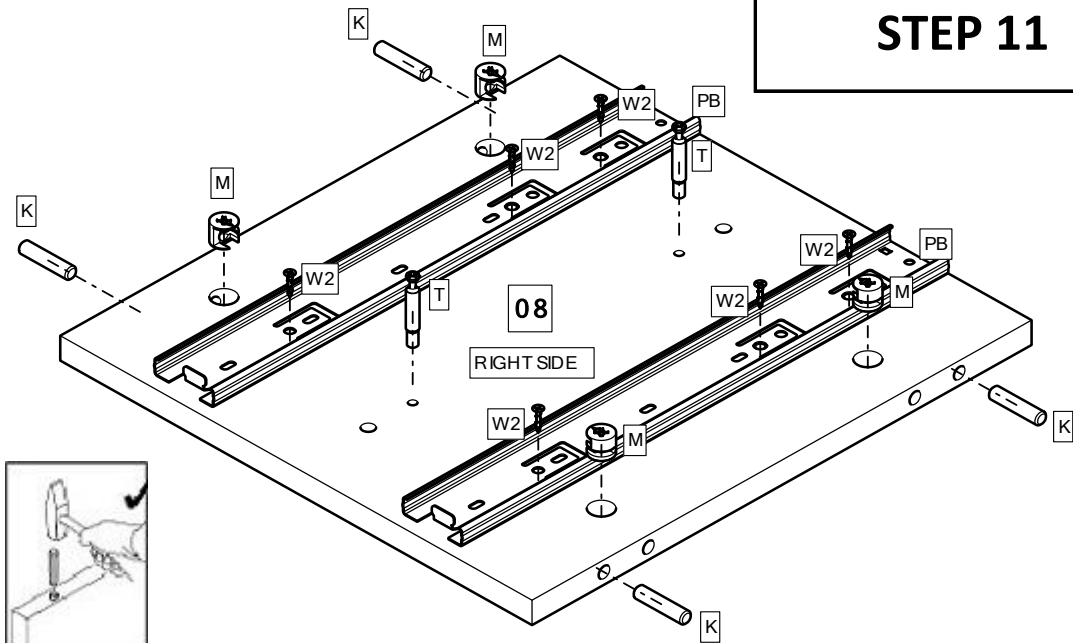
STEP 10









R x2	
	

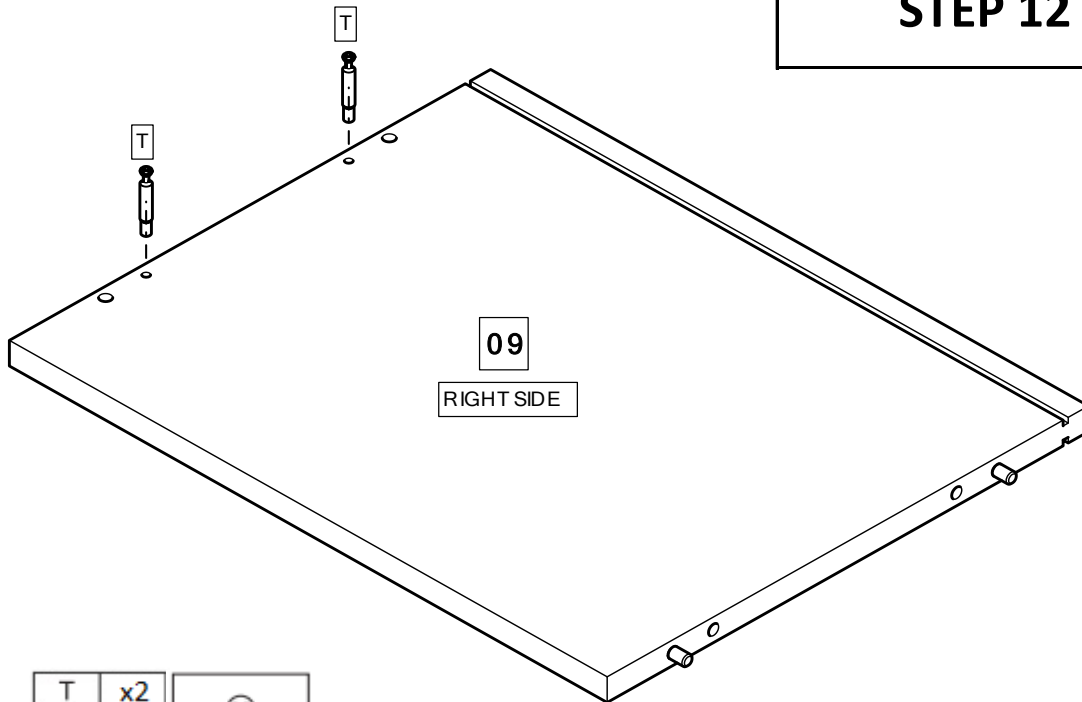
BONO EF TV STAND



STEP 11



M	x4	K	x4	T	x2	W2	x6	P	x2	
			8x35				3,5x16		(PB+PS)	

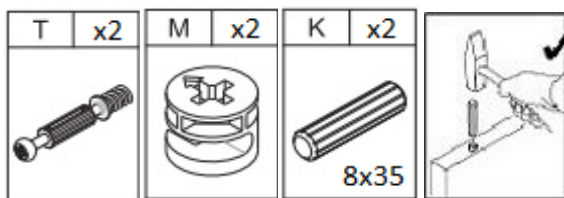
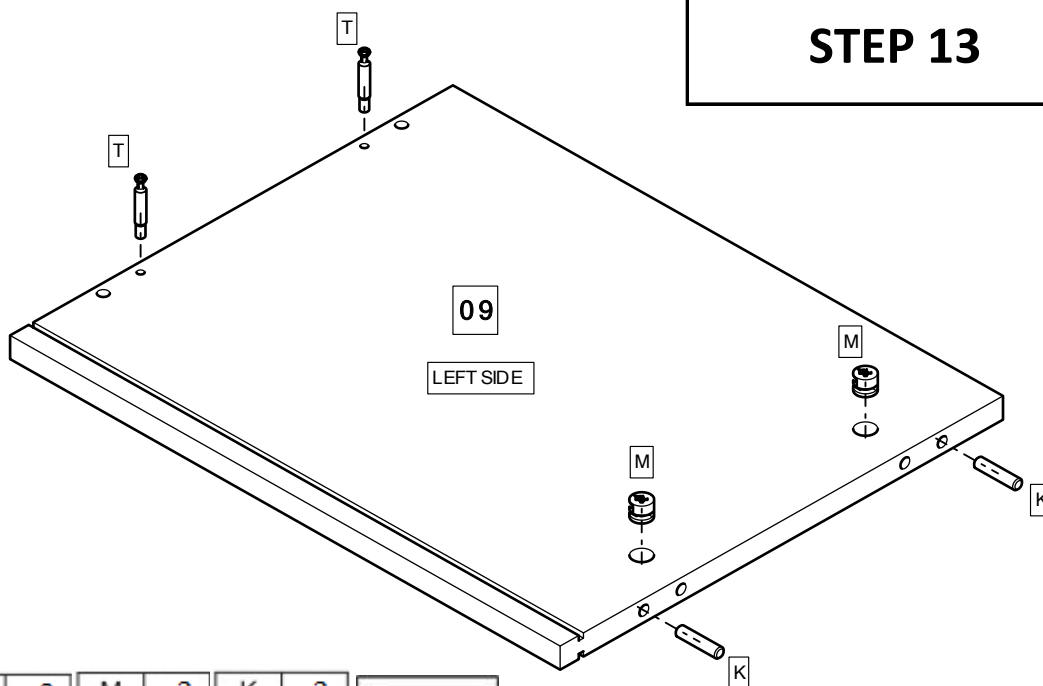
STEP 12



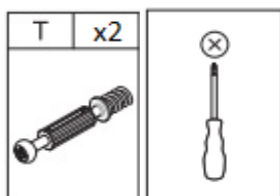
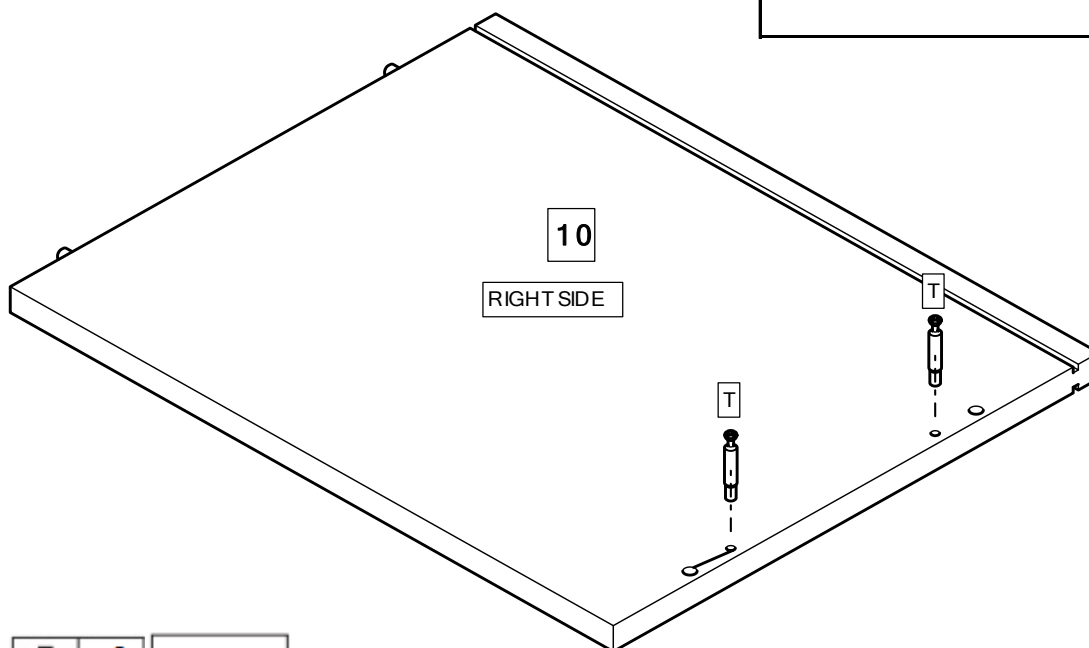
T	x2	
		

BONO EF TV STAND

STEP 13

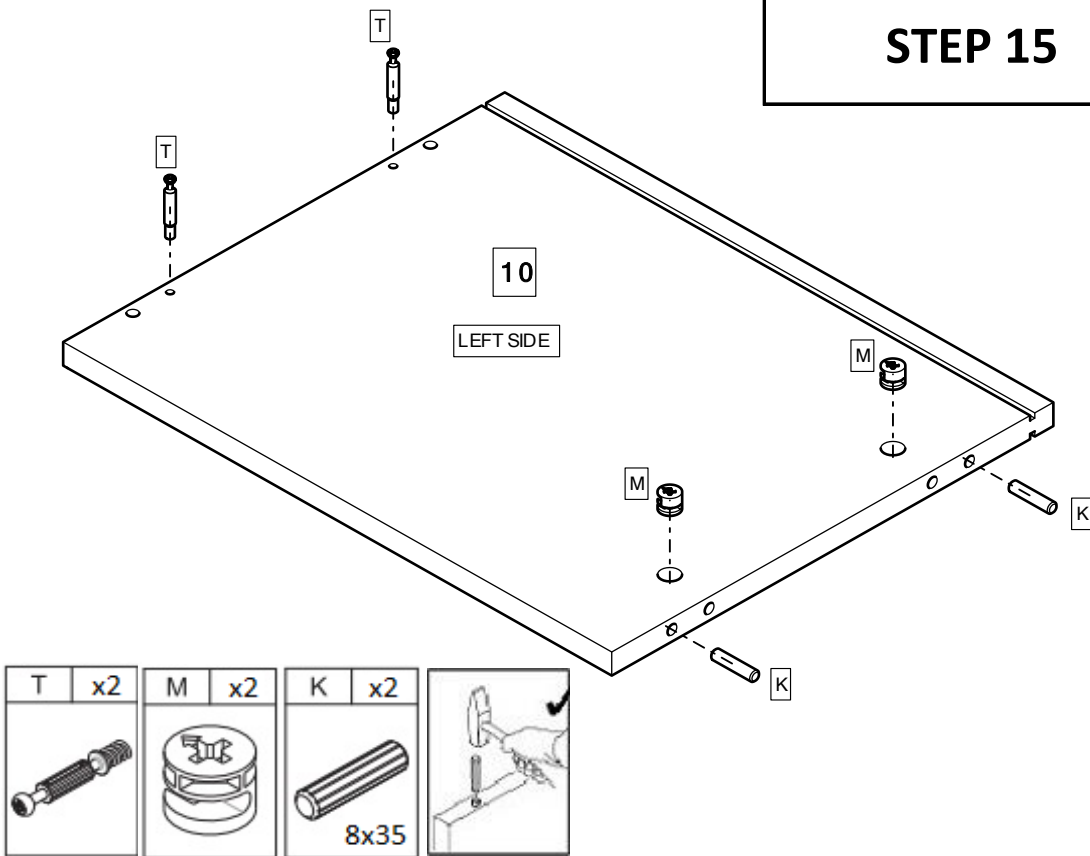


STEP 14

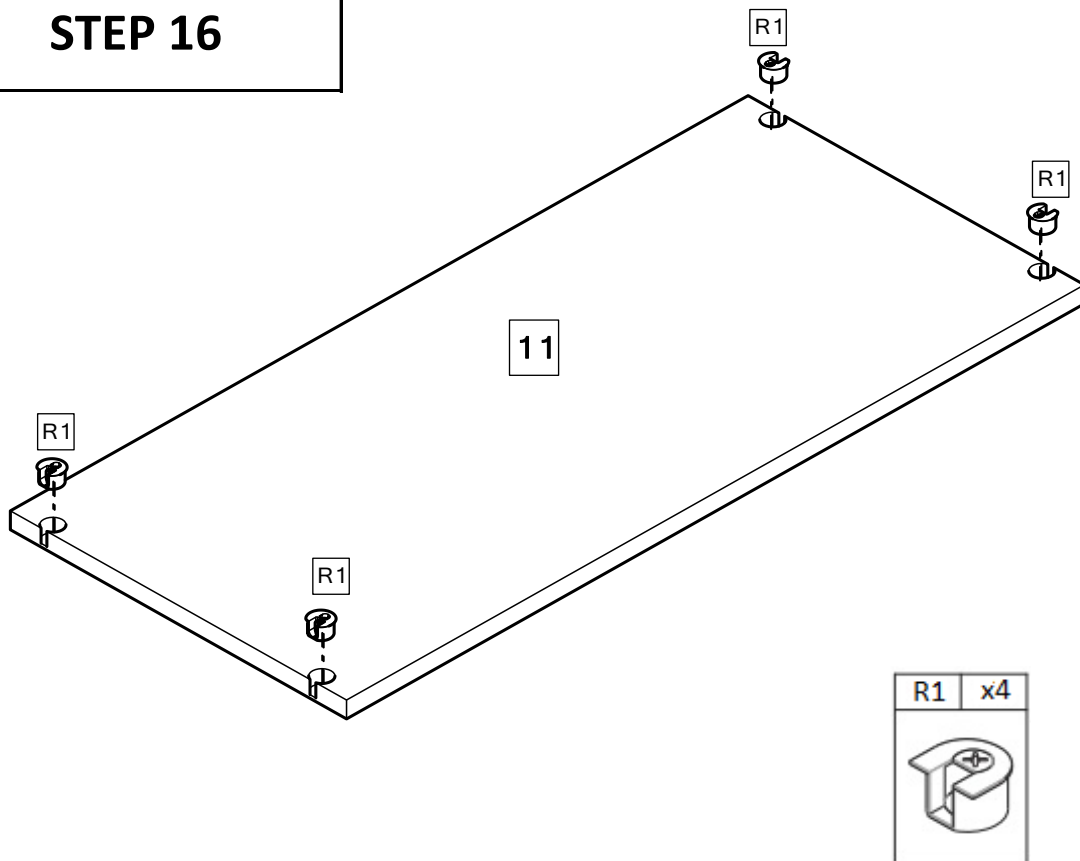


BONO EF TV STAND

STEP 15

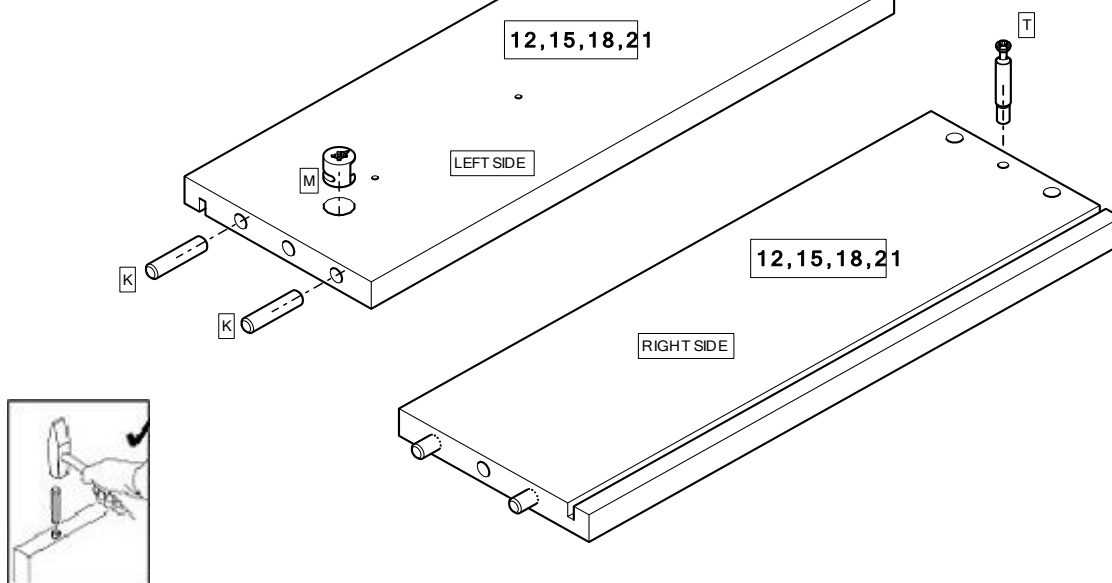
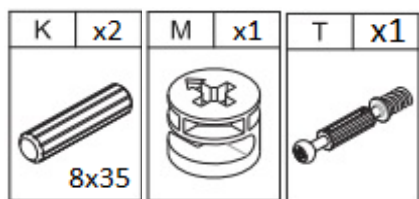


STEP 16

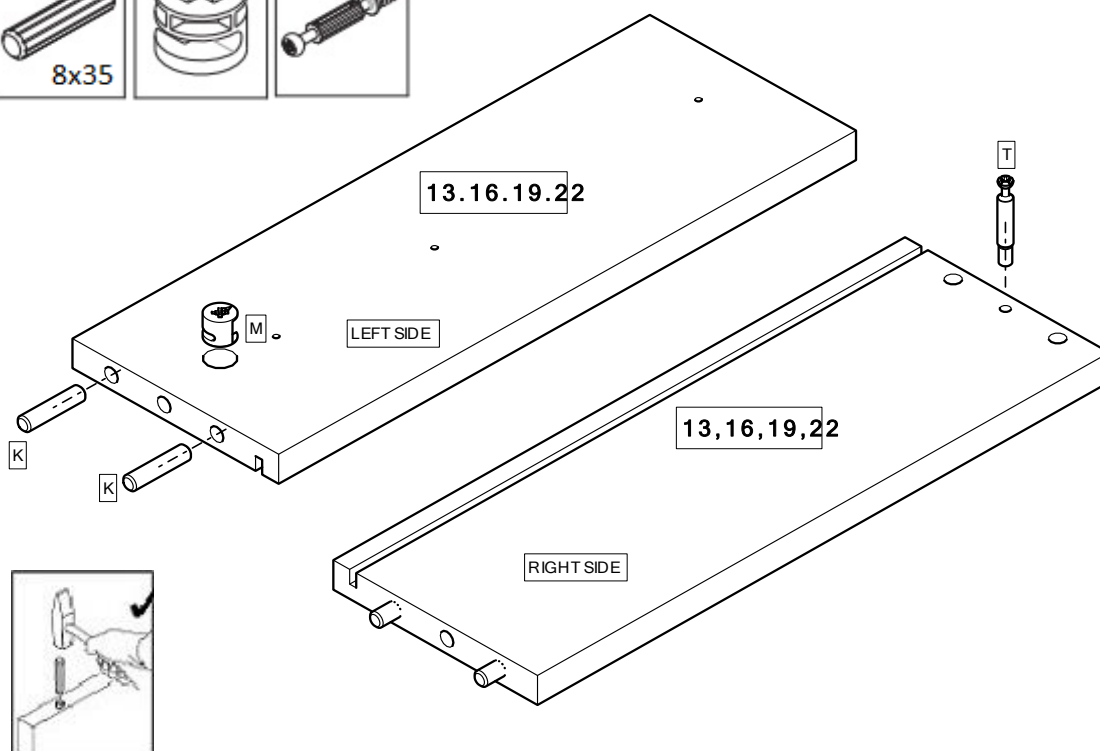
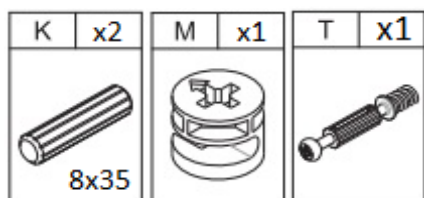


BONO EF TV STAND

STEP 17

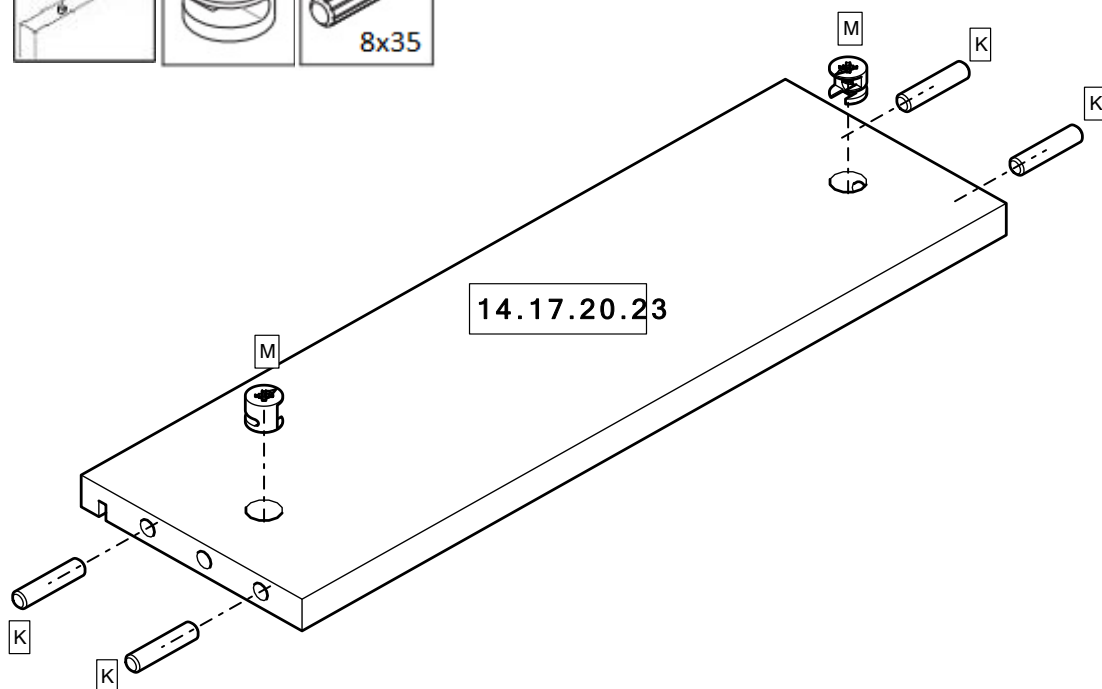
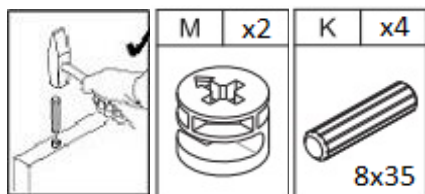


STEP 18

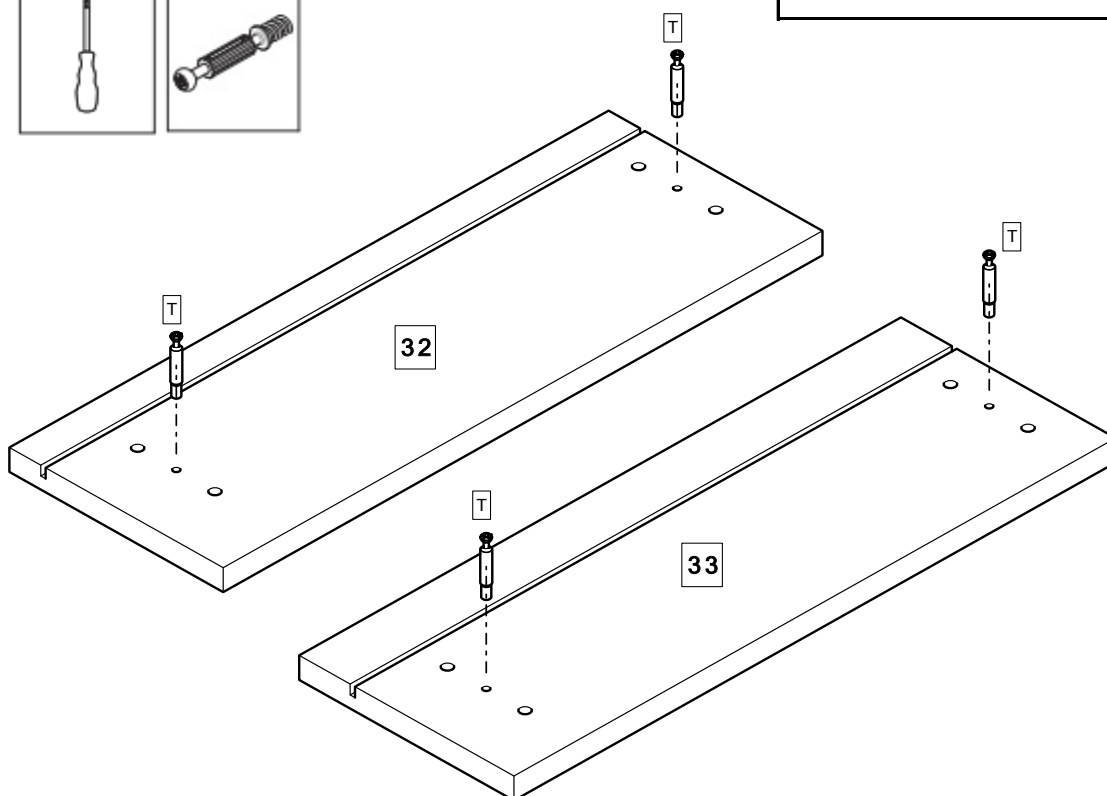
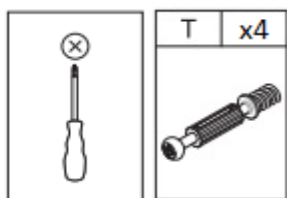


BONO EF TV STAND

STEP 19

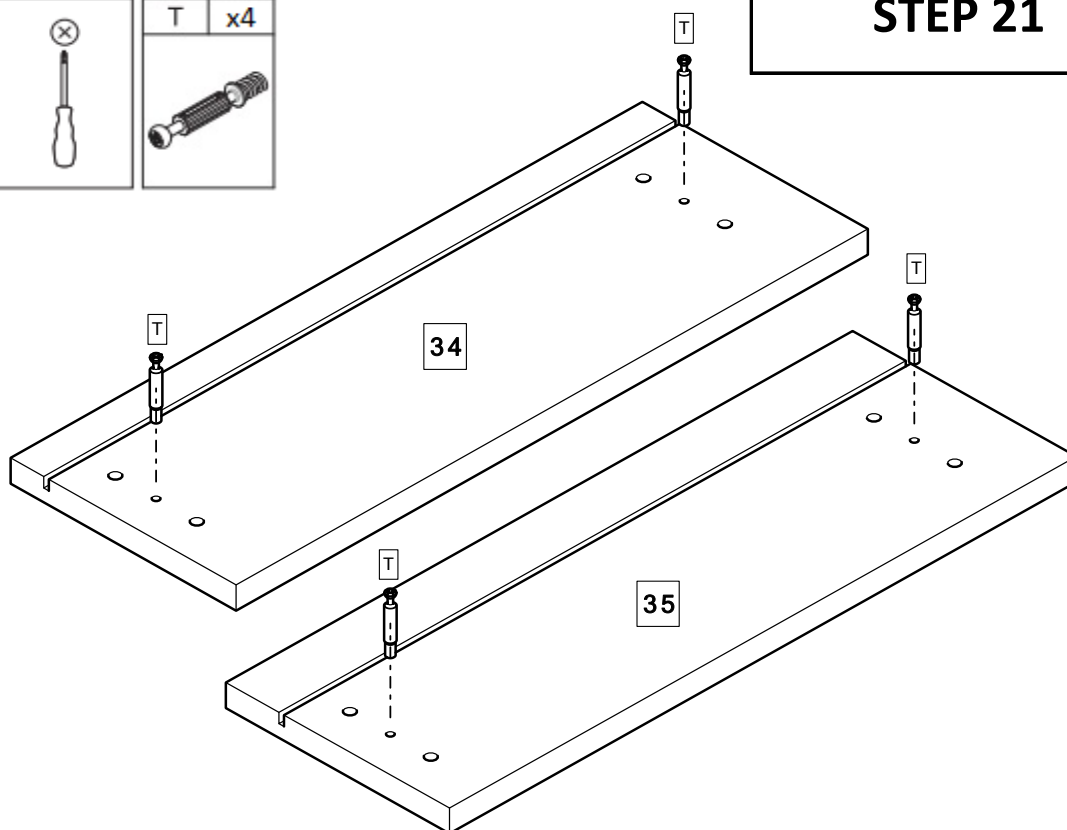
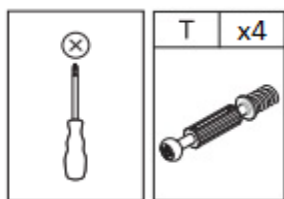


STEP 20

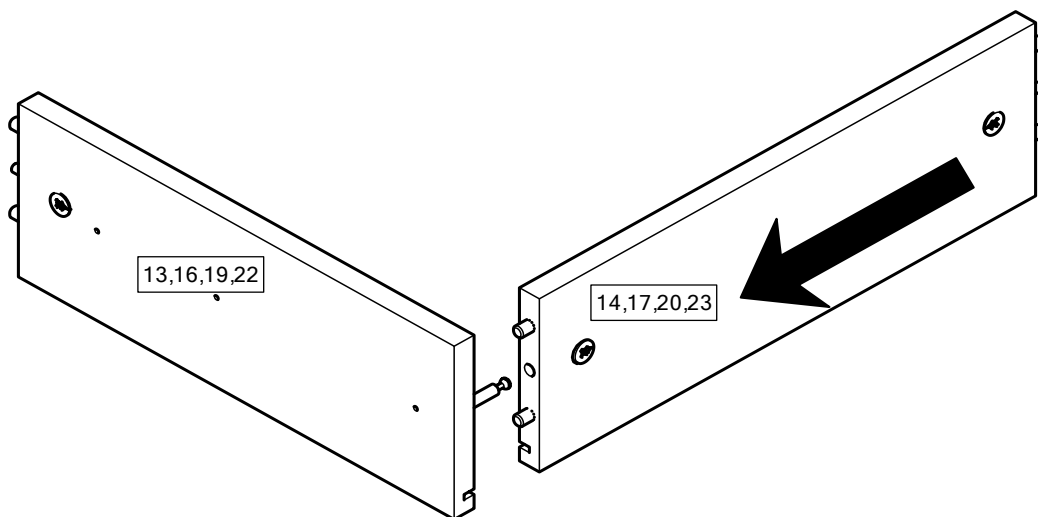
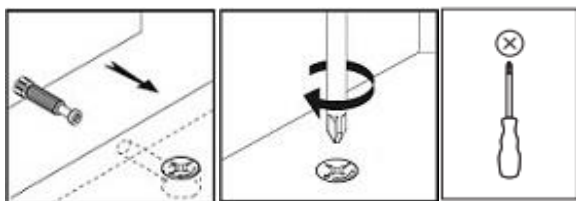


BONO EF TV STAND

STEP 21

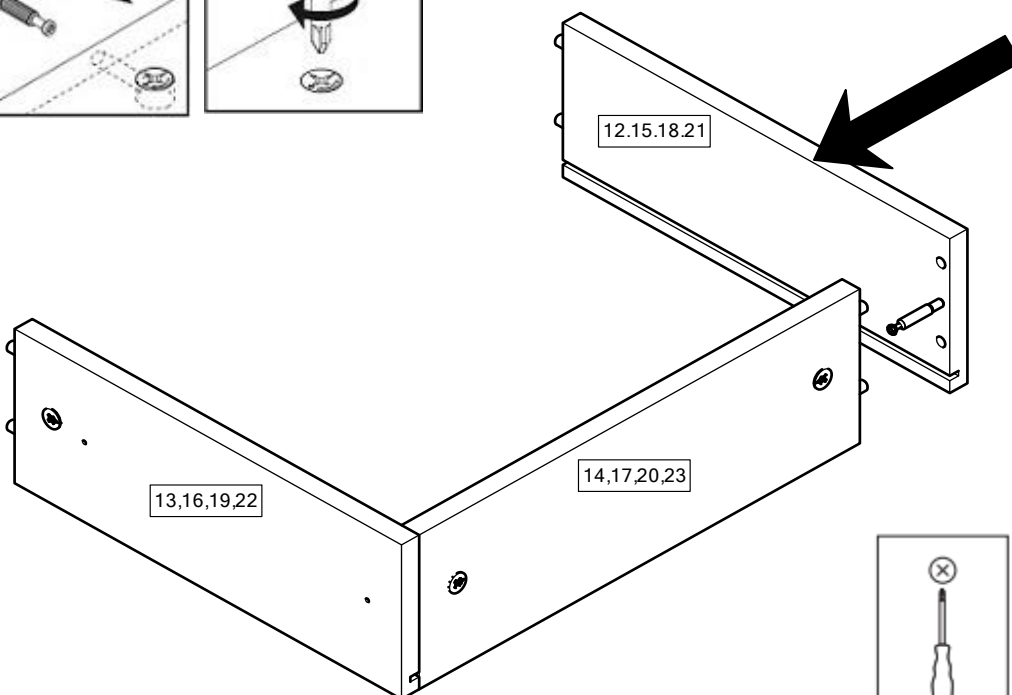
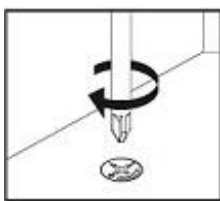
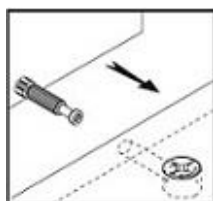


STEP 22

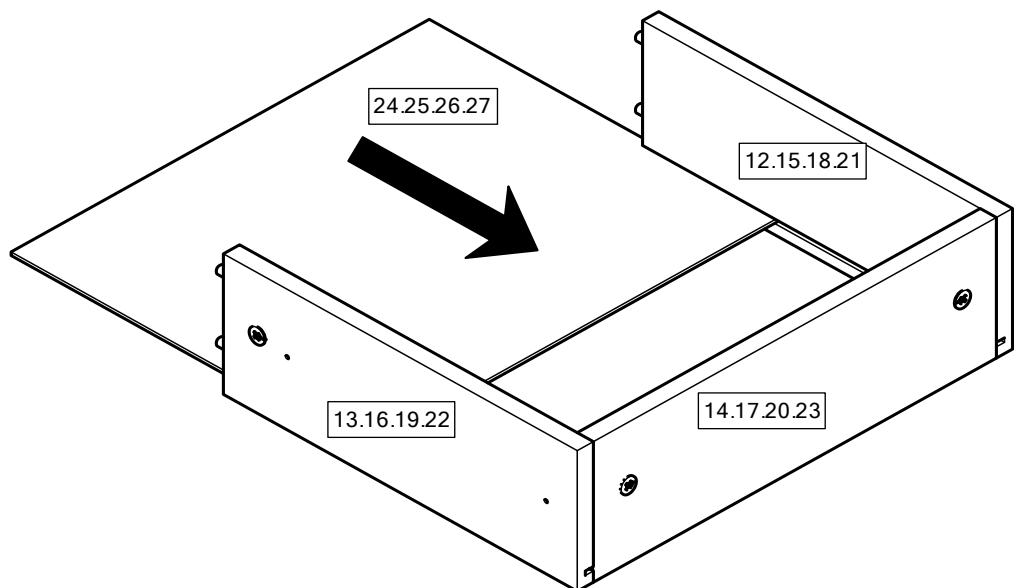


BONO EF TV STAND

STEP 23

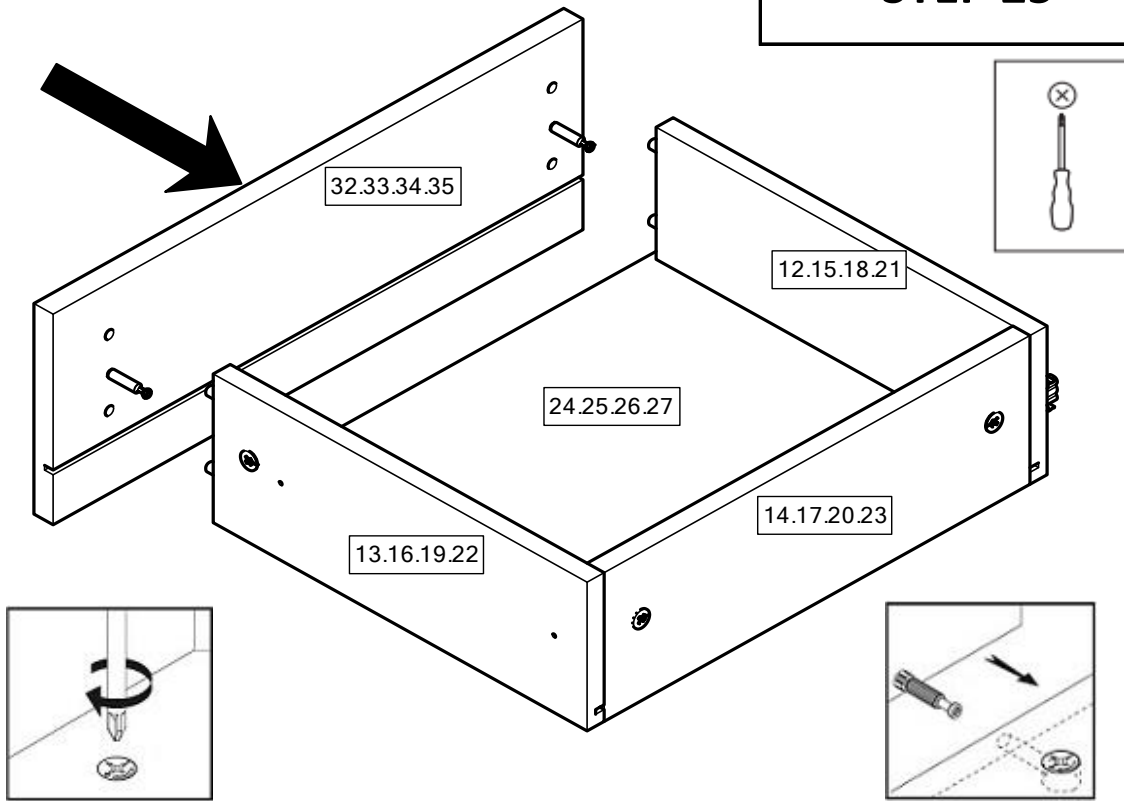


STEP 24

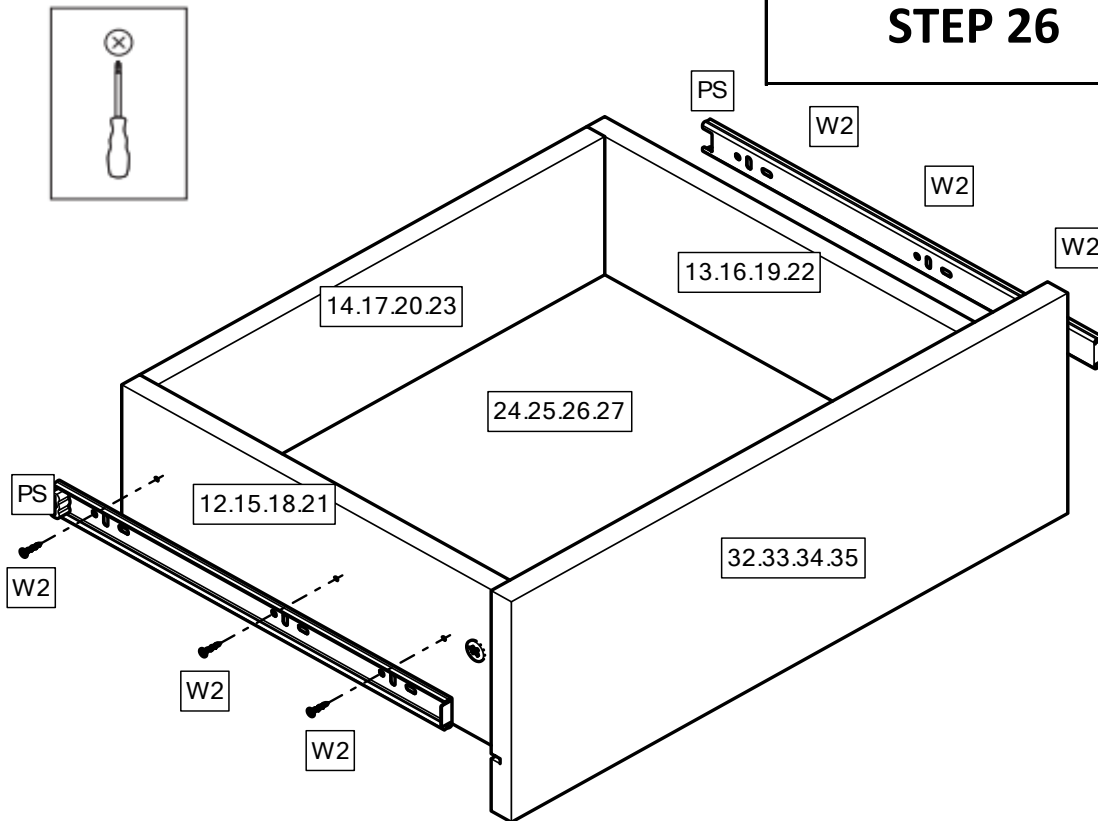


BONO EF TV STAND

STEP 25

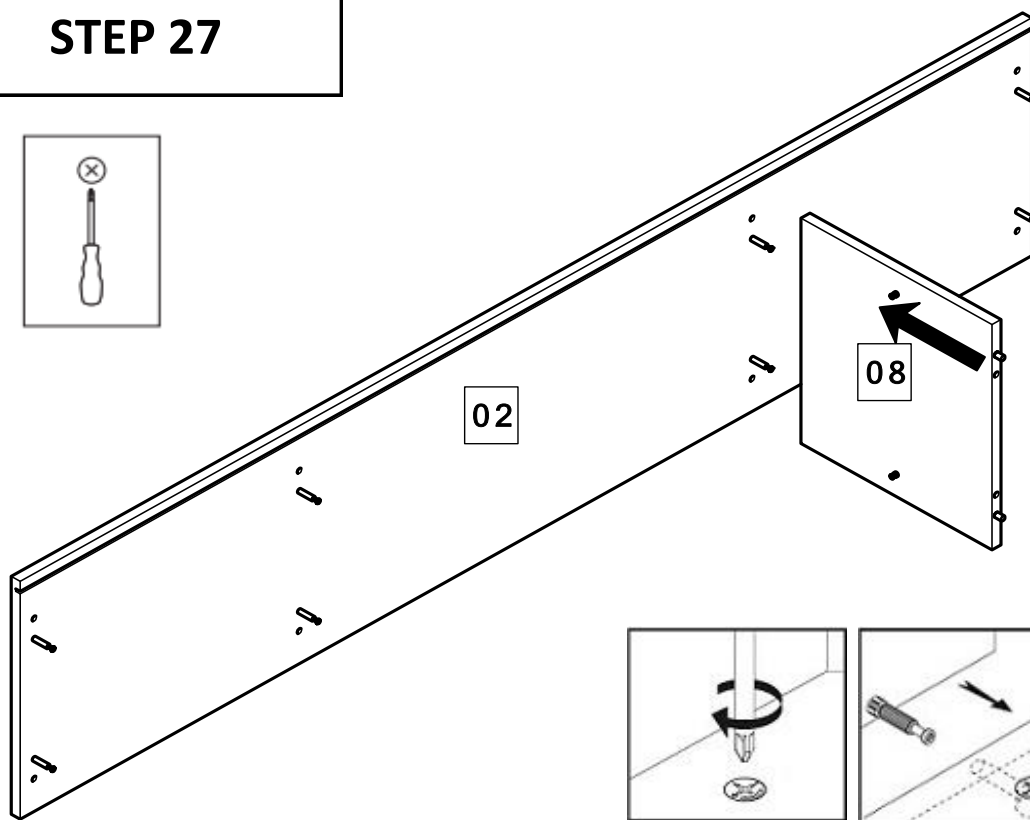
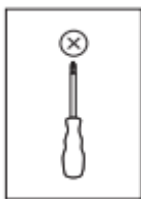


STEP 26

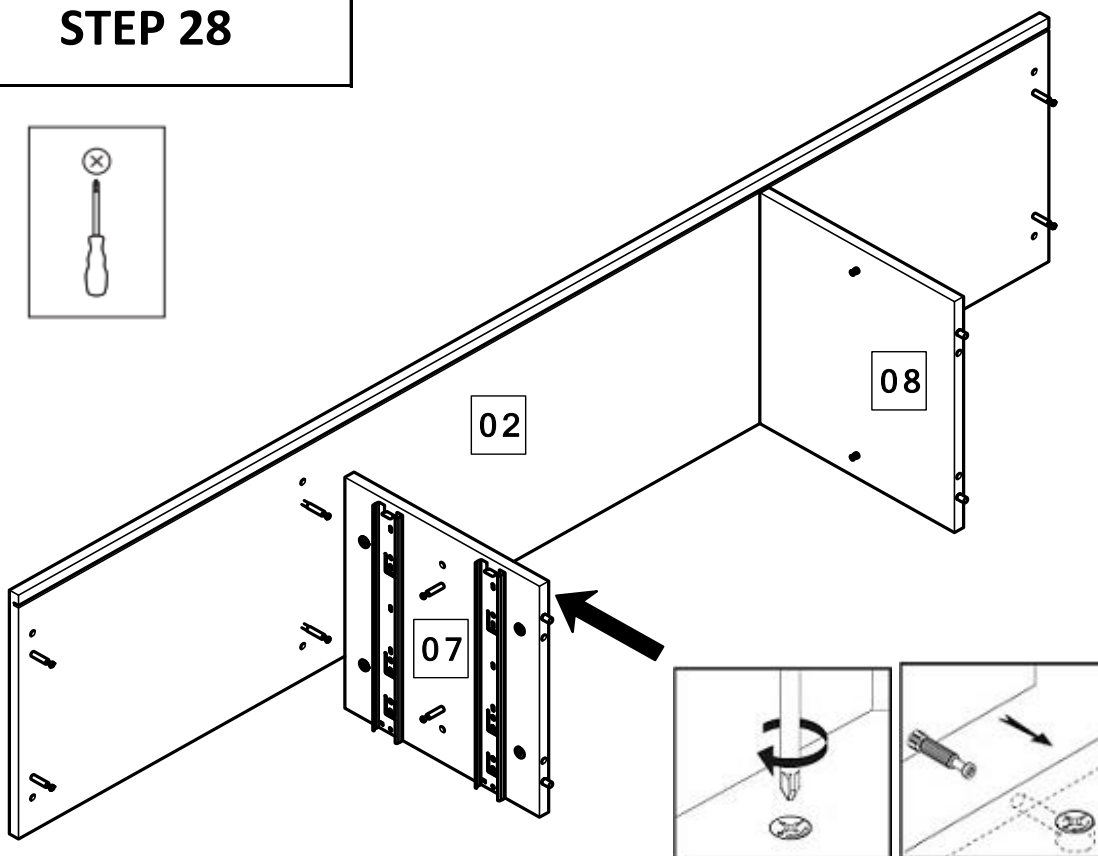
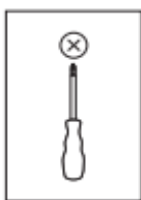


BONO EF TV STAND

STEP 27

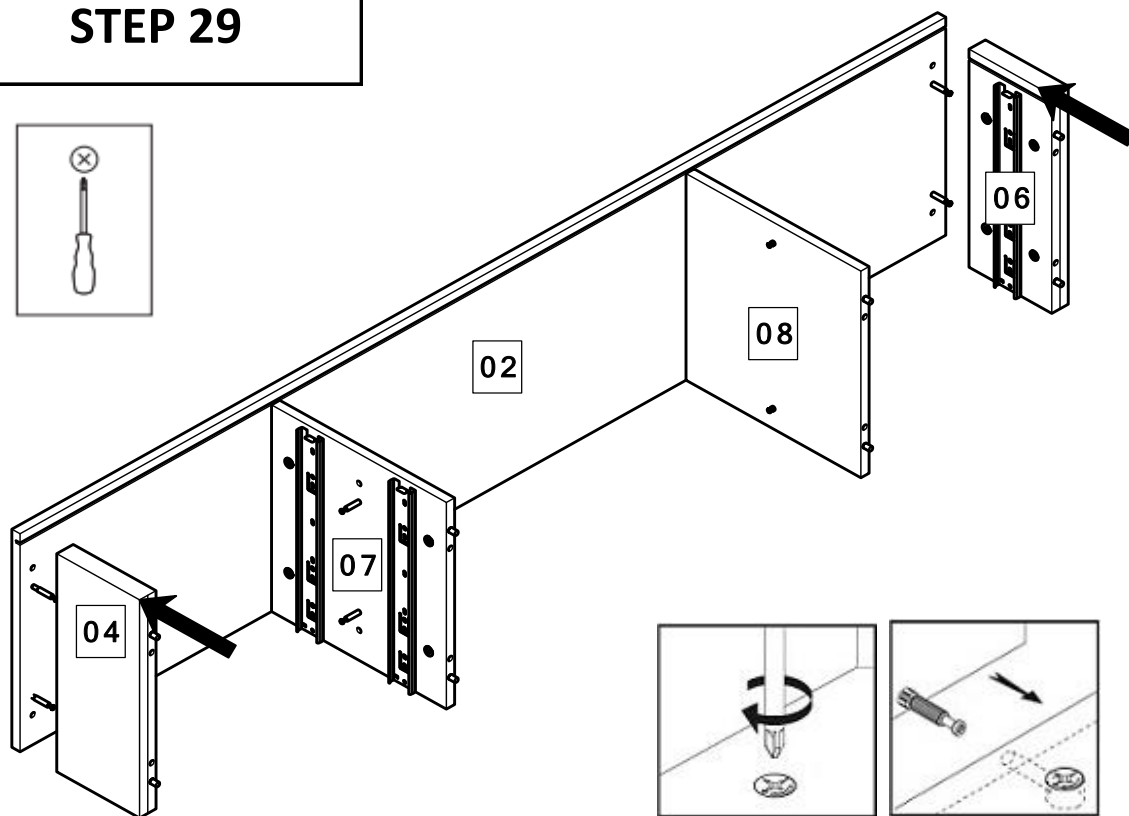
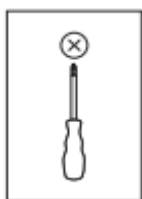


STEP 28

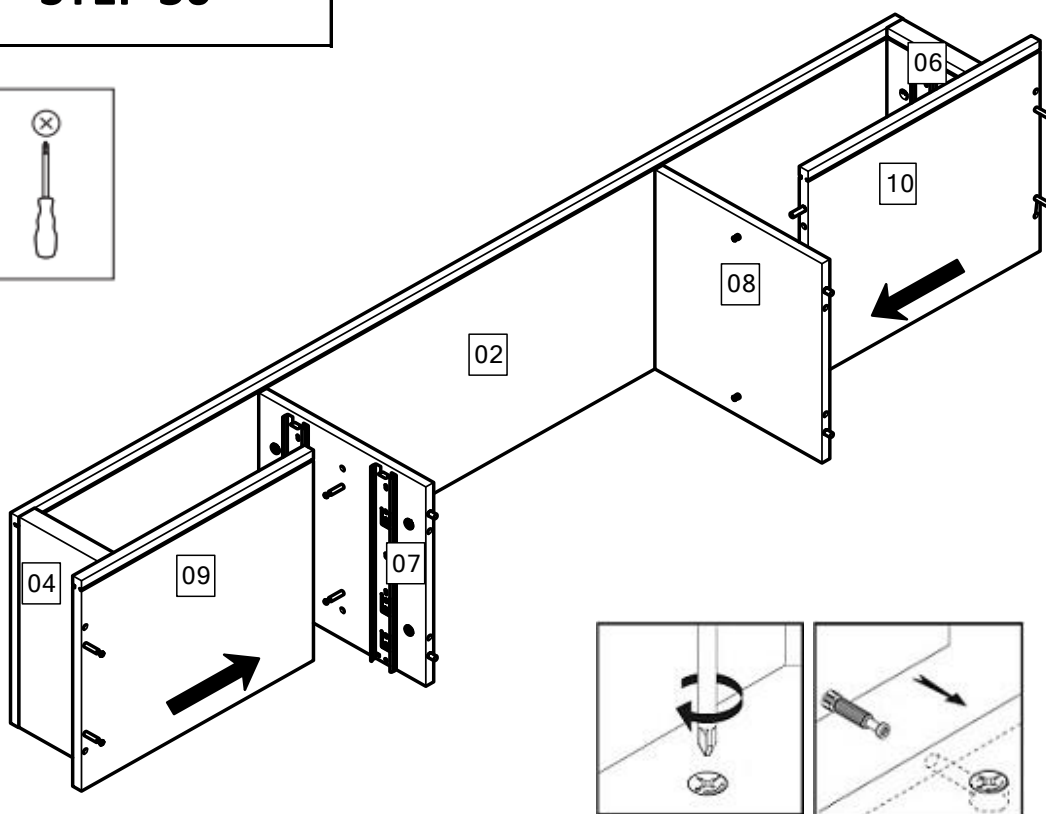
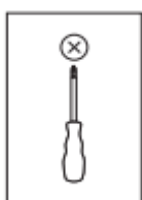


BONO EF TV STAND

STEP 29

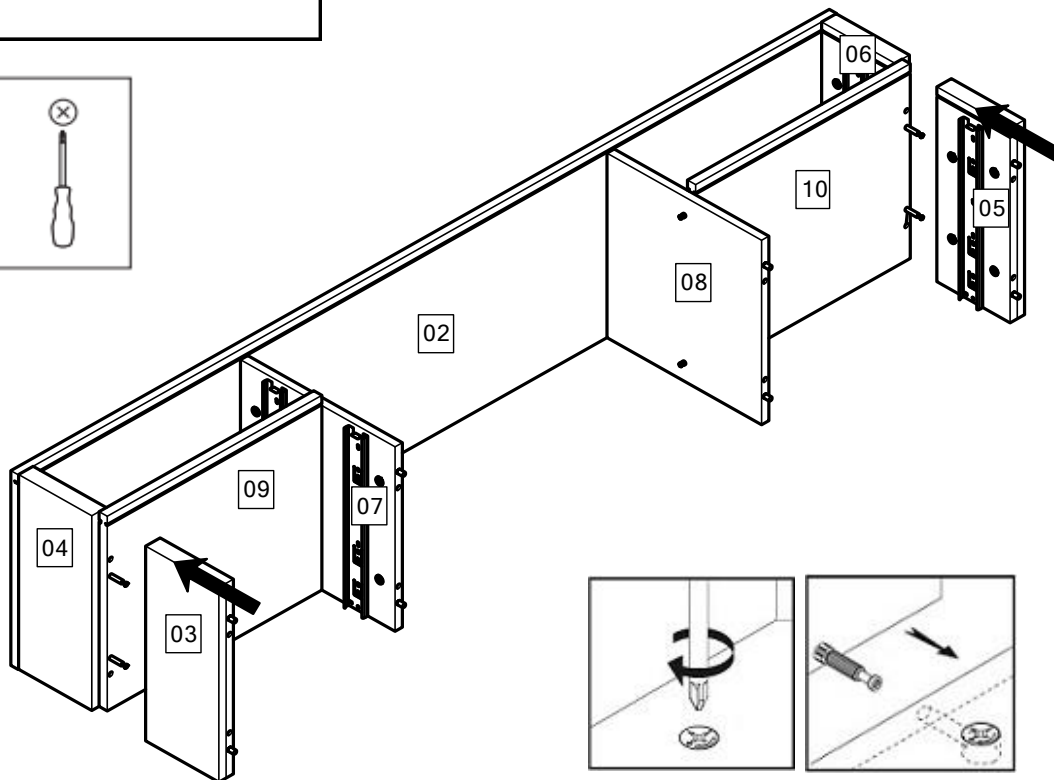
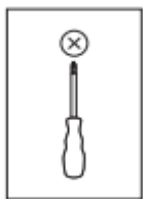


STEP 30

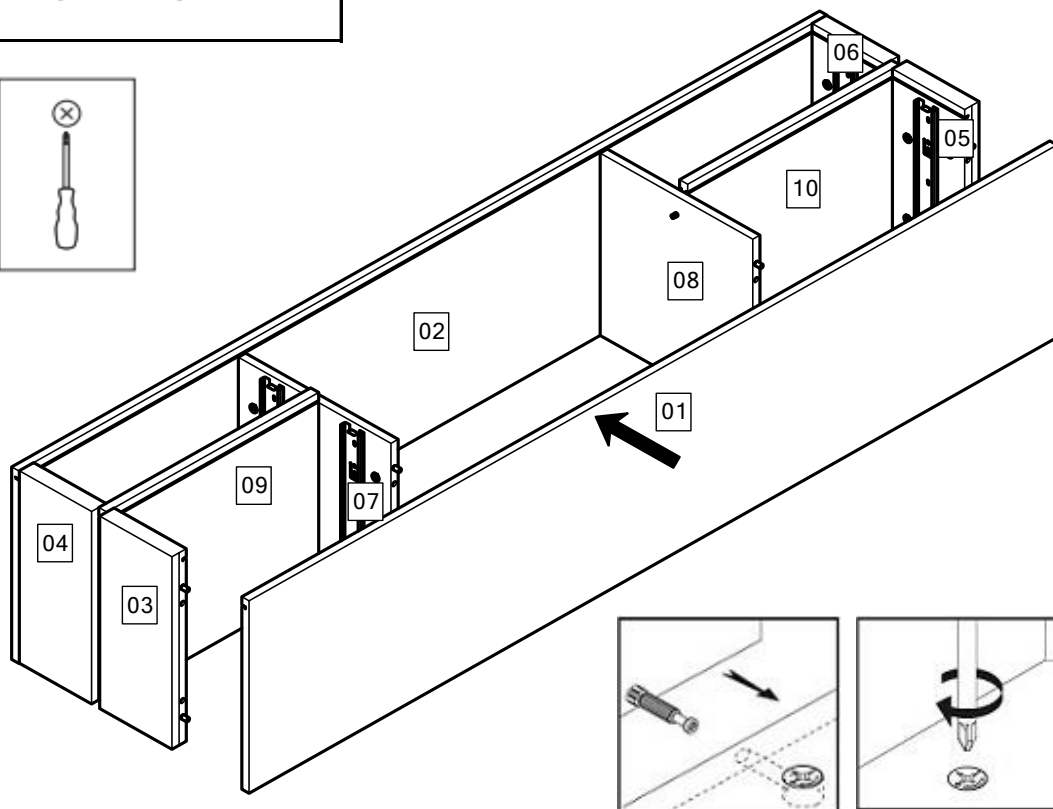
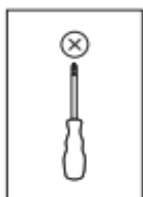


BONO EF TV STAND

STEP 31

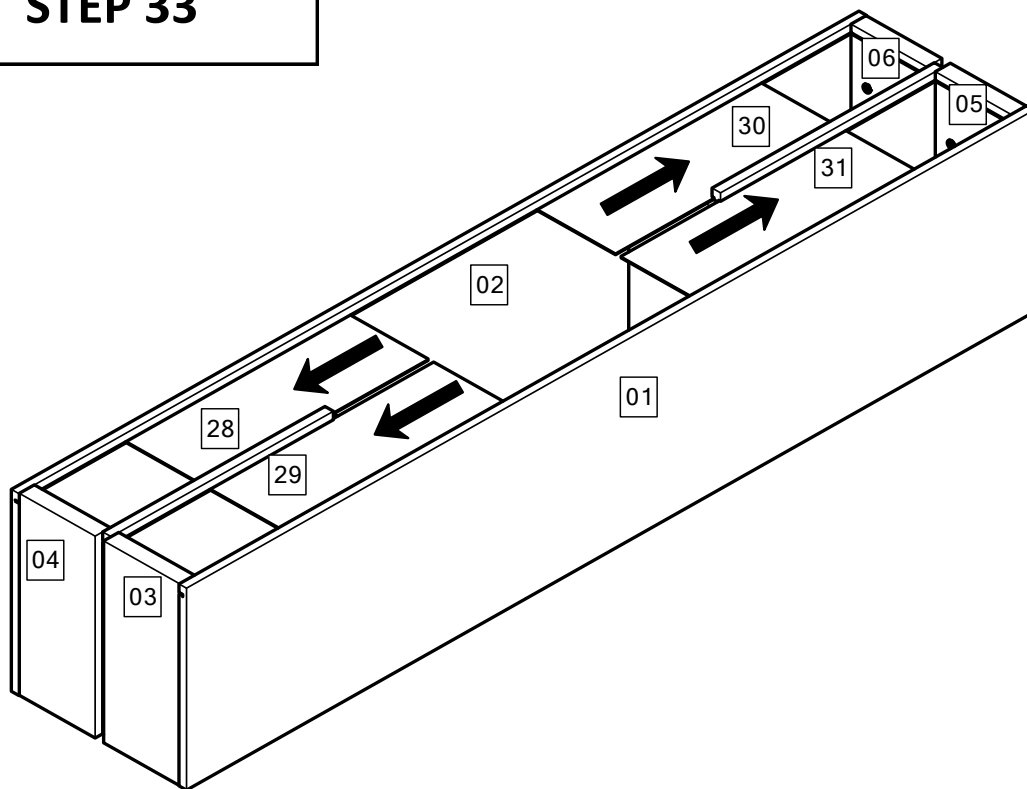


STEP 32

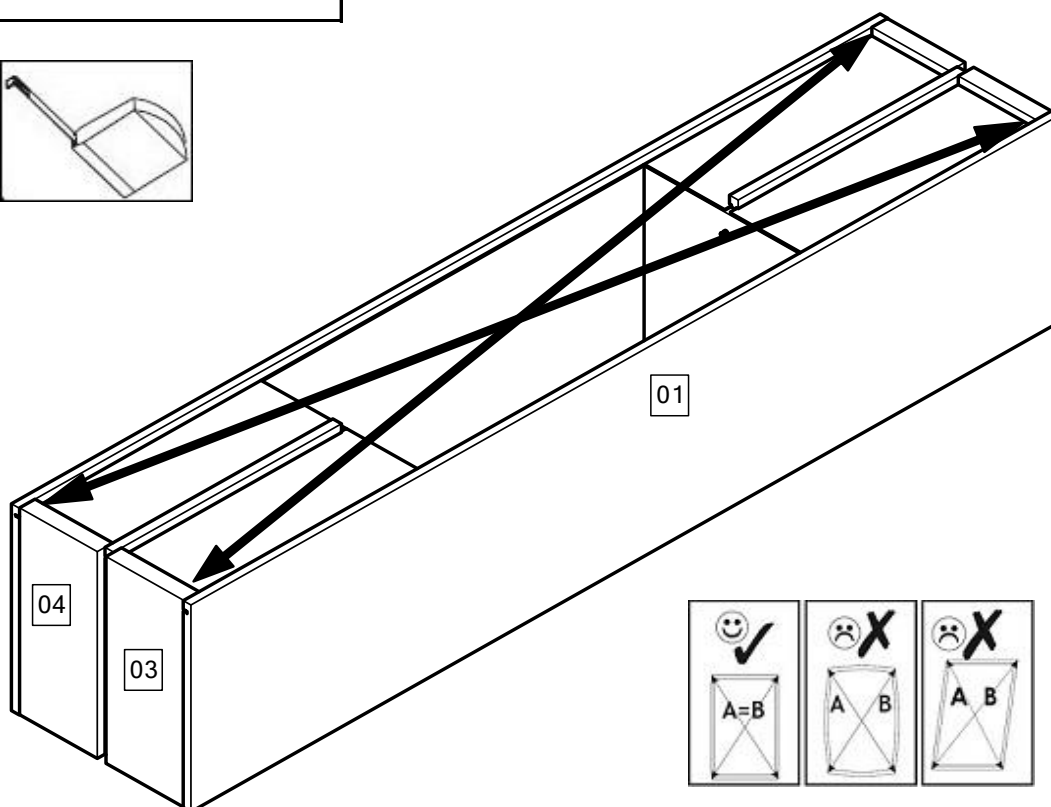
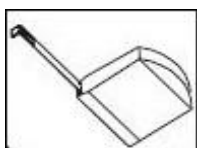


BONO EF TV STAND

STEP 33

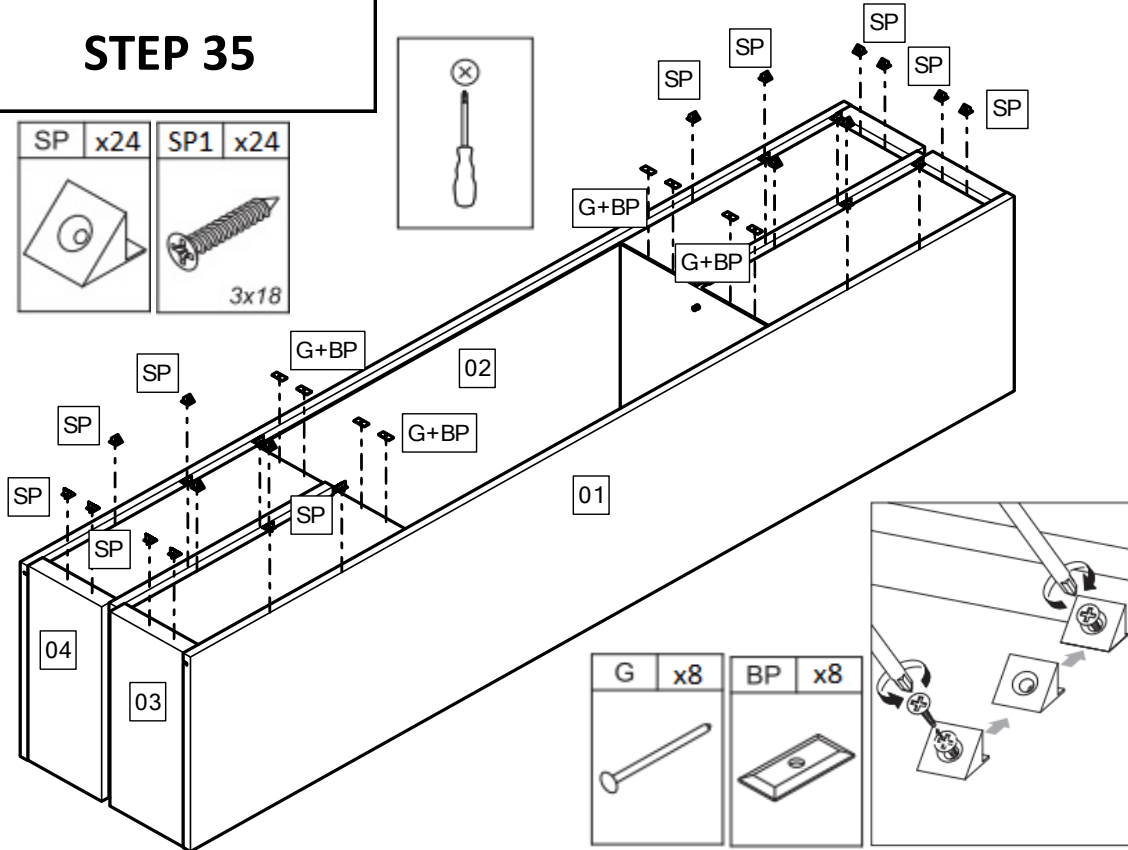
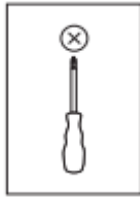
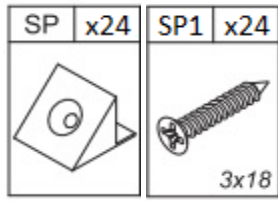


STEP 34

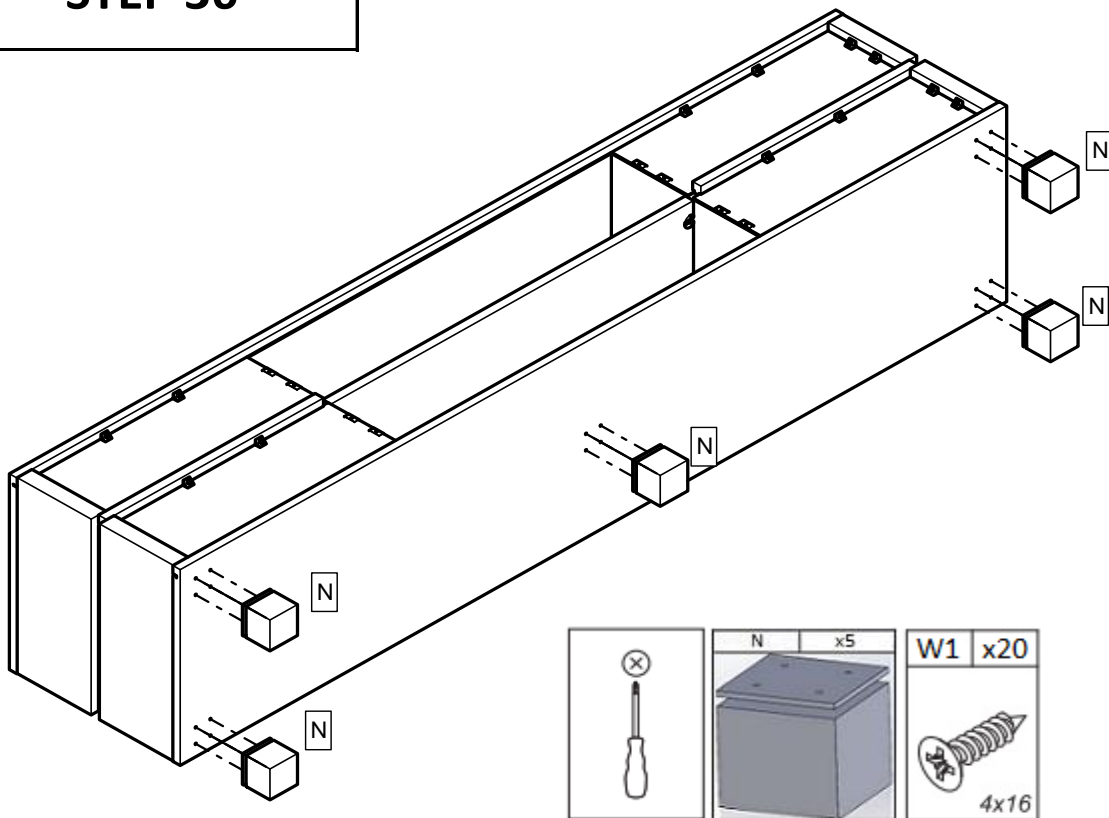


BONO EF TV STAND

STEP 35

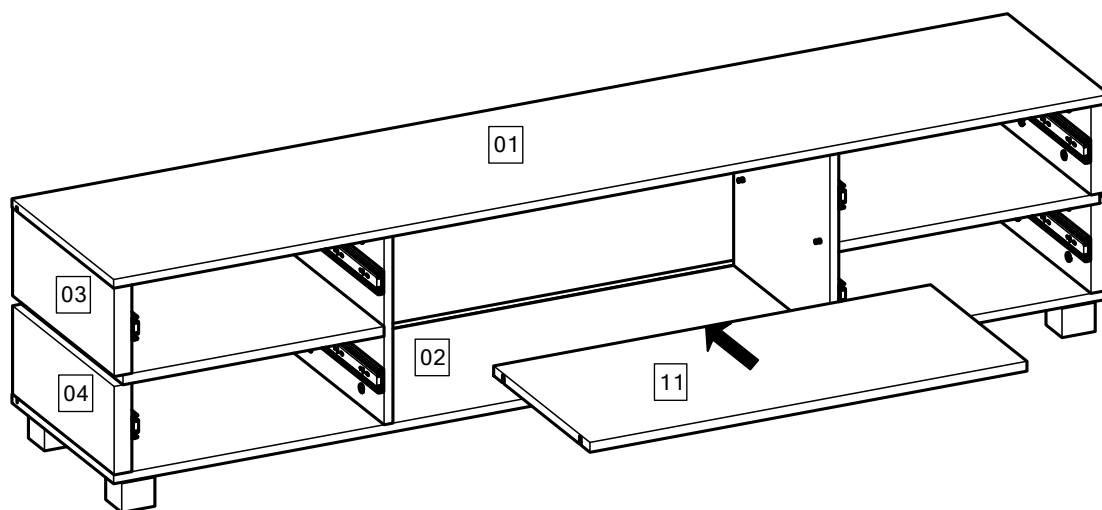


STEP 36

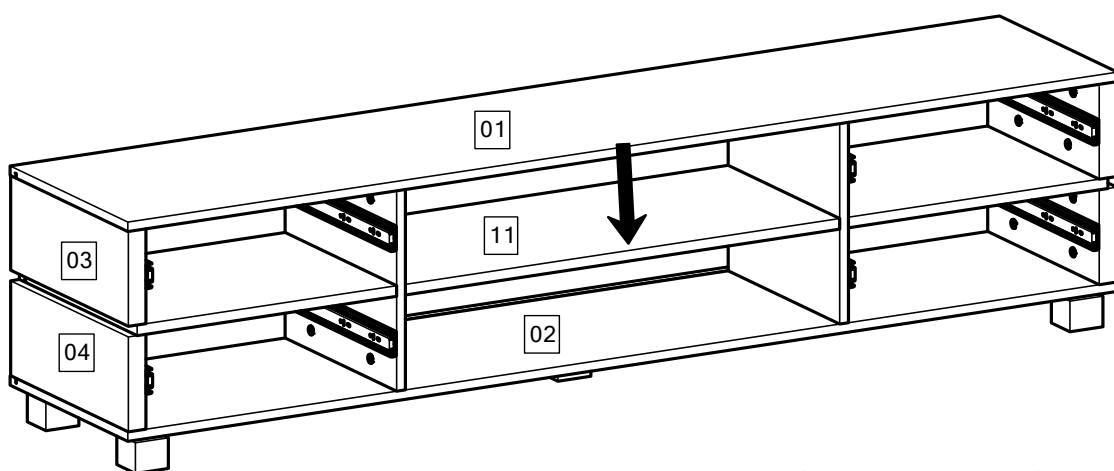


BONO EF TV STAND

STEP 37

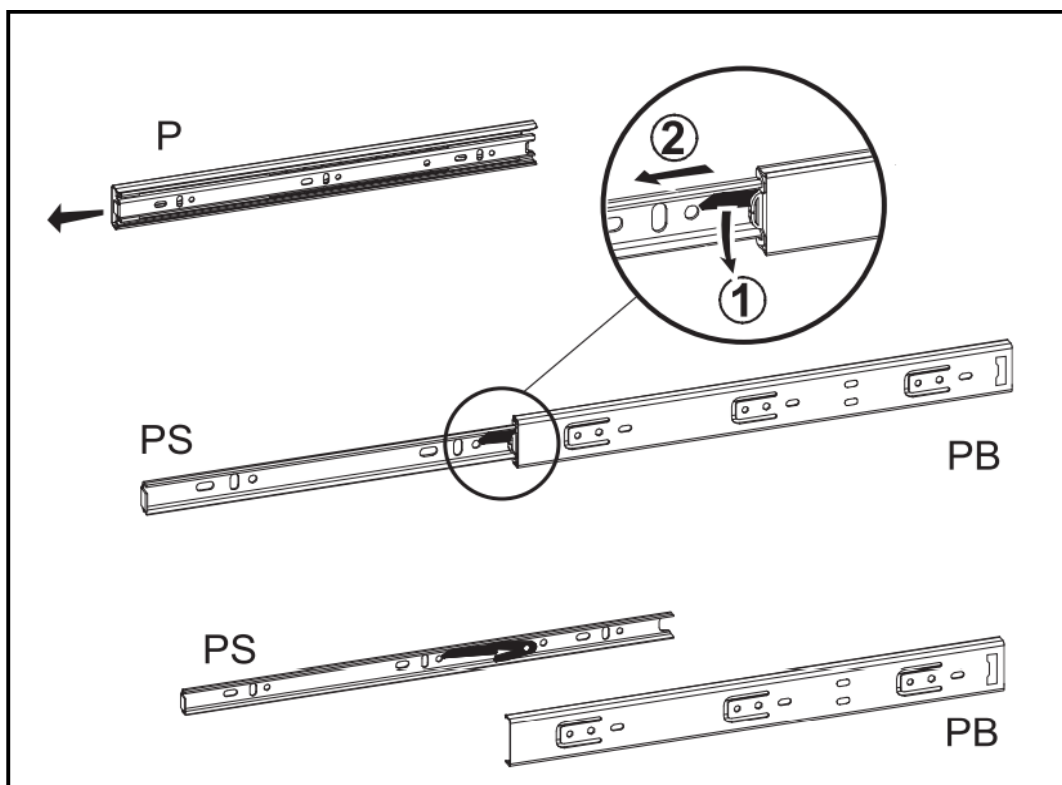
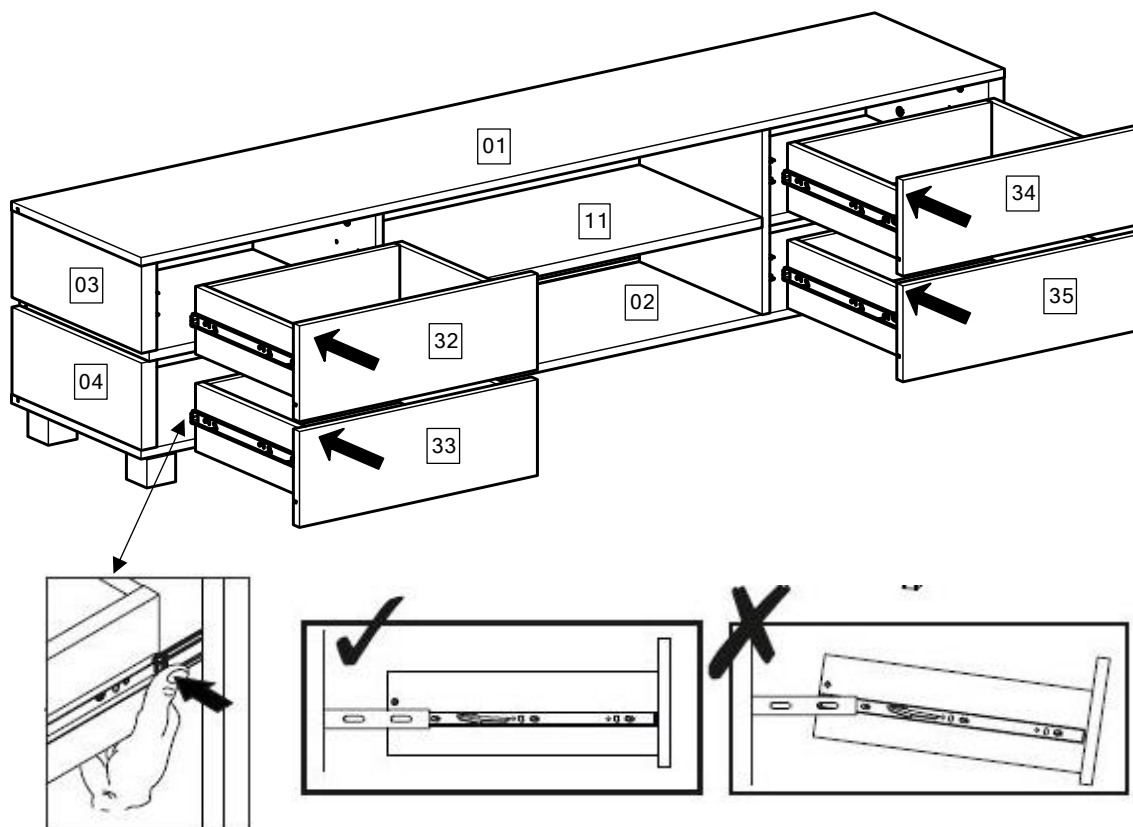


STEP 38



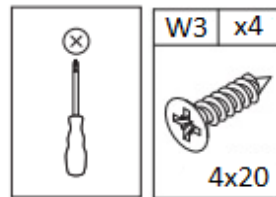
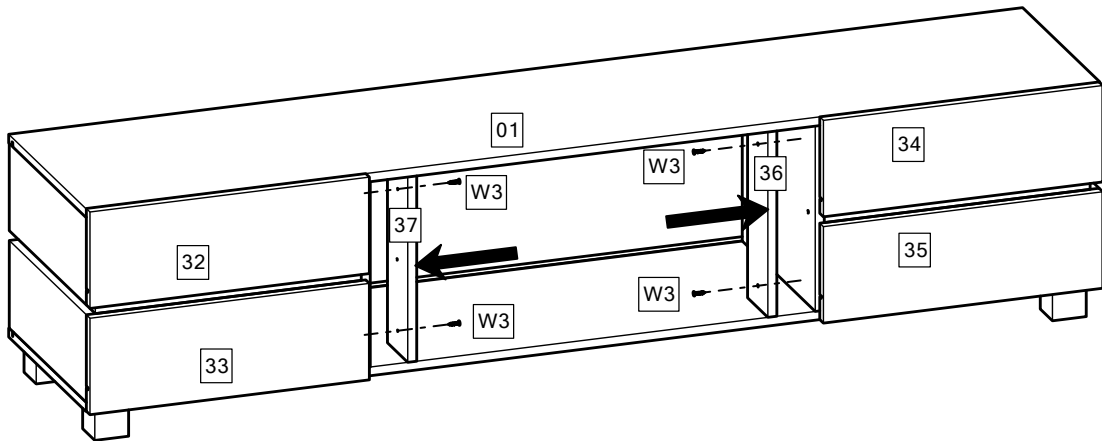
BONO EF TV STAND

STEP 39

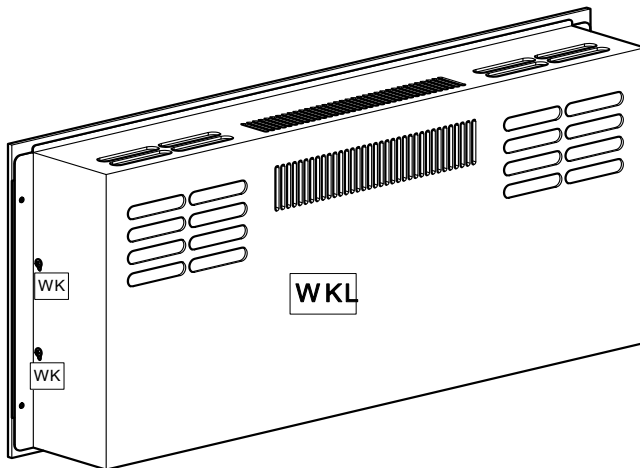


BONO EF TV STAND

STEP 40

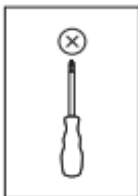
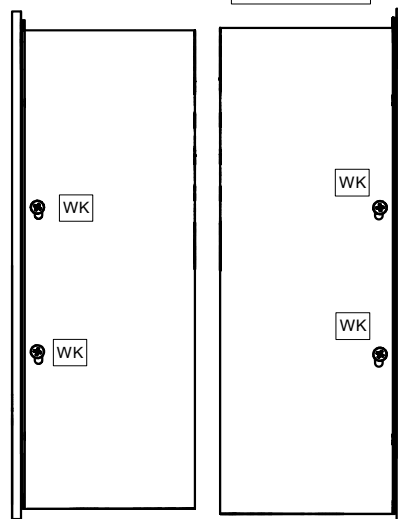


STEP 41



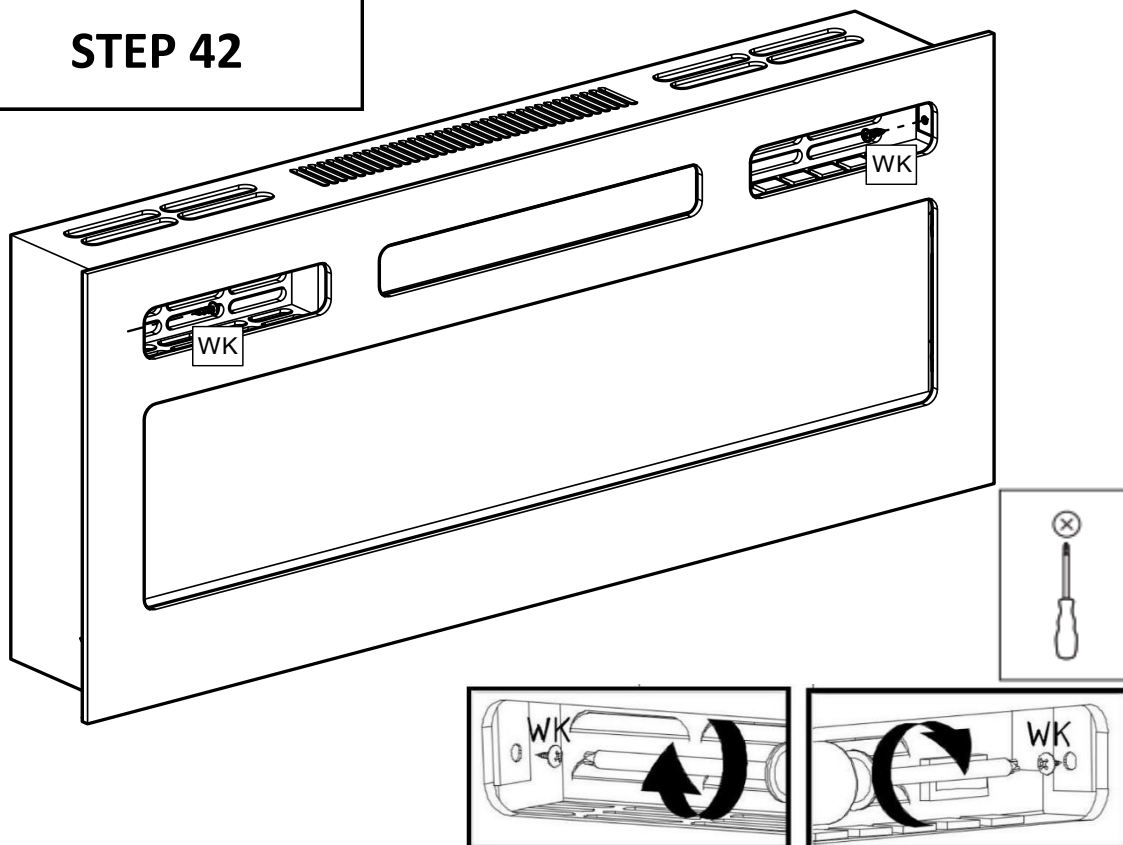
RIGHT SIDE

LEFT SIDE

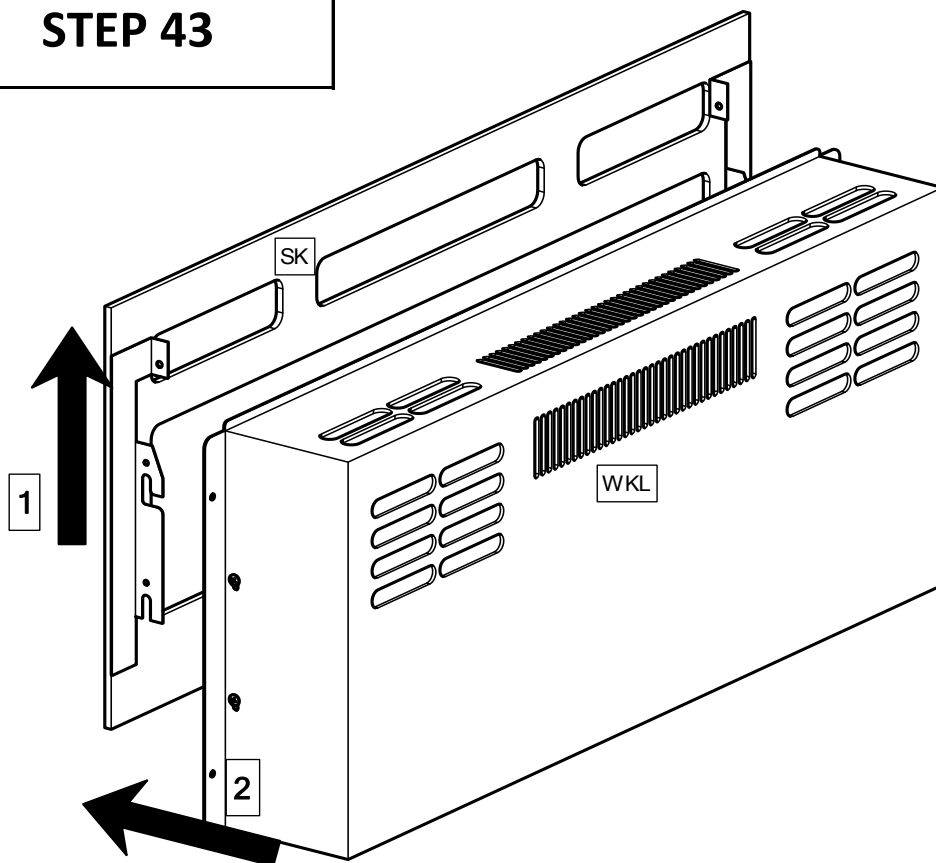


BONO EF TV STAND

STEP 42

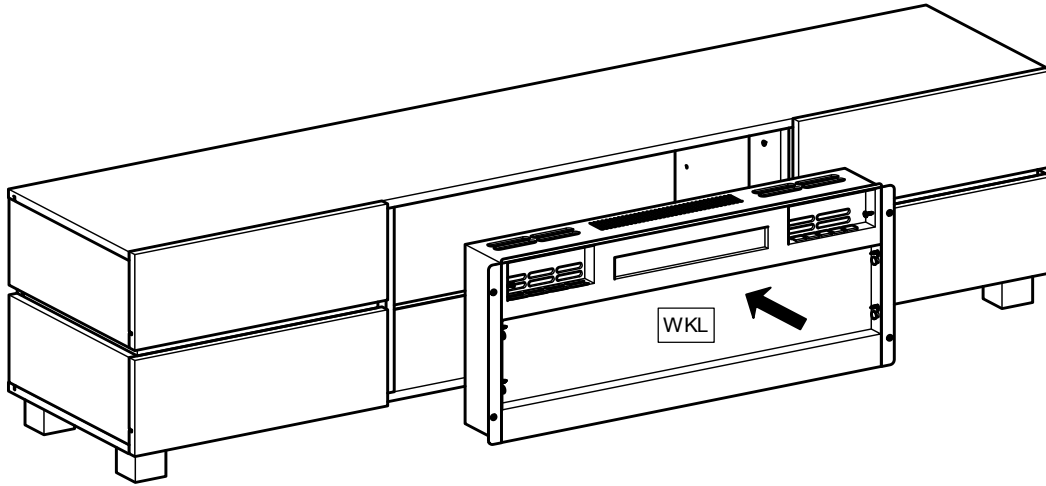


STEP 43

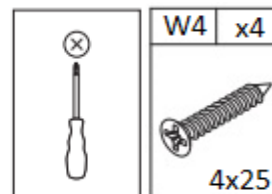
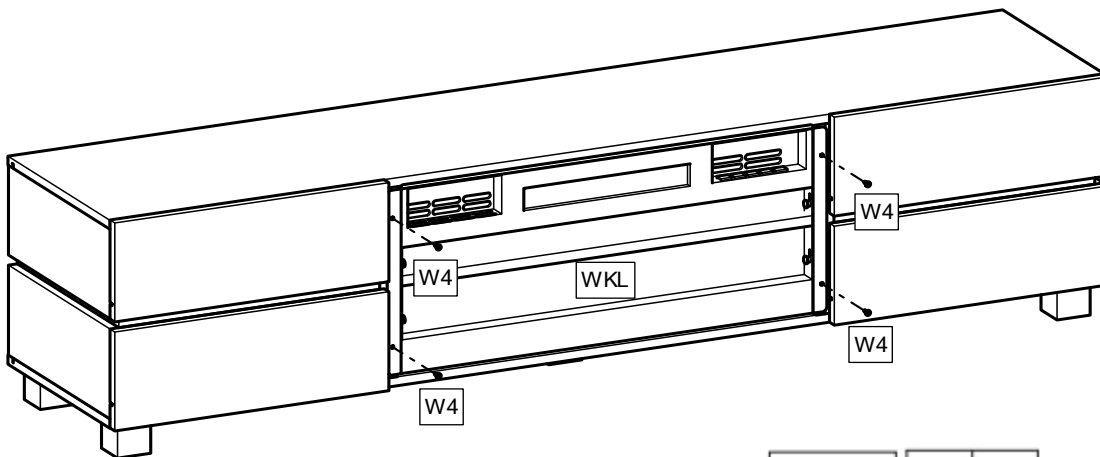


BONO EF TV STAND

STEP 44

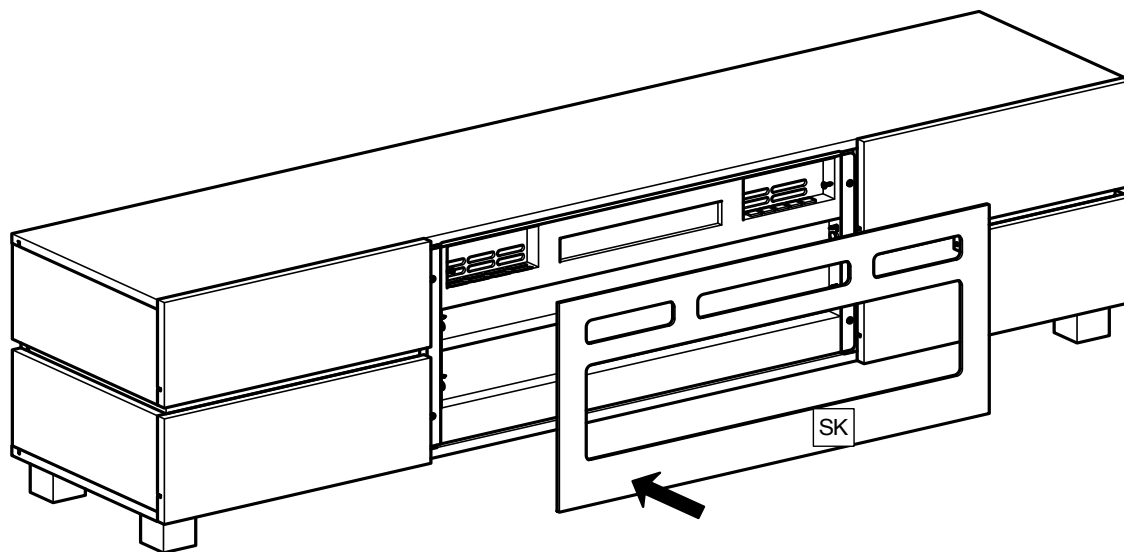


STEP 45

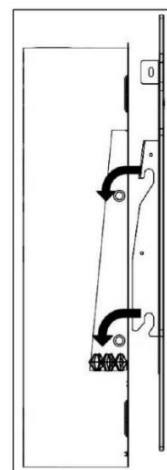
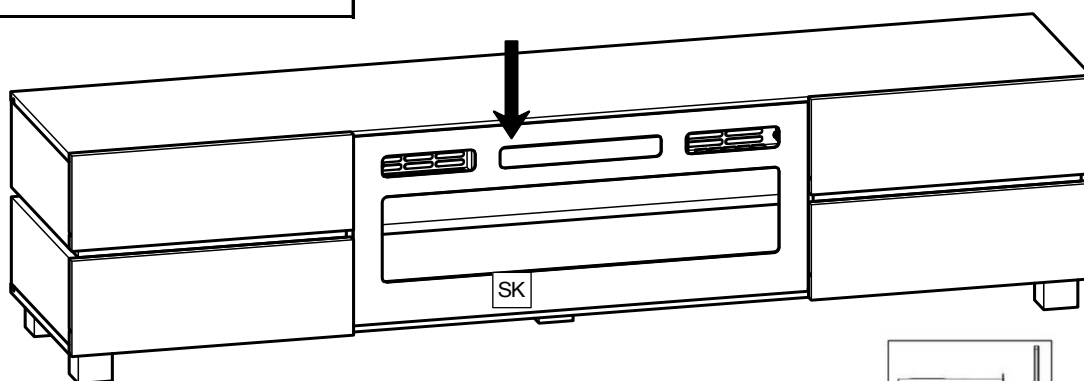


BONO EF TV STAND

STEP 46



STEP 47



BONO EF TV STAND

STEP 48

