

Claim your extended 90 day product warranty by registering your product at www.meblefurniture.com/register

**ATTENTION: DO NOT RETURN THIS PRODUCT!!!
PLEASE READ THE FOLLOWING!!!**

FOR REPLACEMENT/MISSING PARTS:

www.meblefurniture.com/parts

**FOR INSTRUCTION/ASSEMBLY MANUALS
AND VIDEOS:**

www.meblefurniture.com/assembly

ALL OTHER INQUIRIES:

help@meblefurniture.com

**IF YOU ARE MISSING PARTS OR YOUR
PRODUCT ARRIVED DAMAGED:**

Please fill out a parts request form at
www.meblefurniture.com/parts

Replacement parts are shipped out in one business day. You will receive a tracking number via email once your parts request has been processed.

**IF YOU ARE MISSING AN INSTRUCTION
MANUAL OR NEED ASSEMBLY HELP:**

Please visit www.meblefurniture.com/assembly to access our library of product assembly videos or to download product instruction manuals.

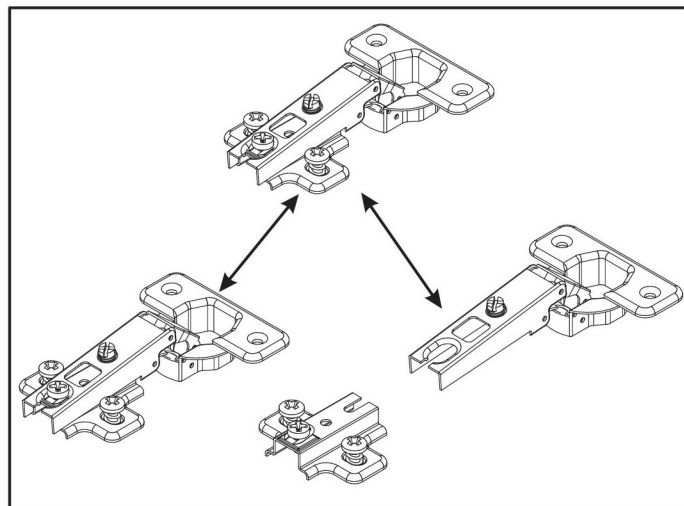
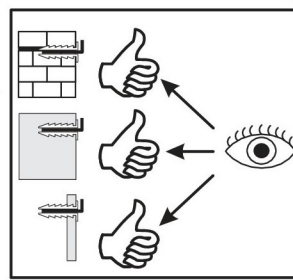
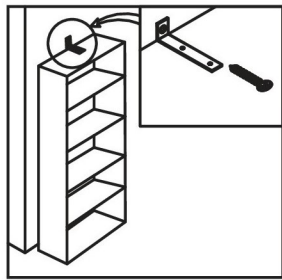
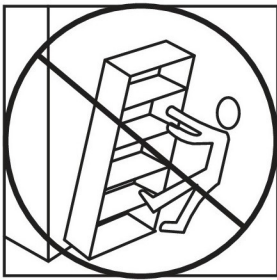
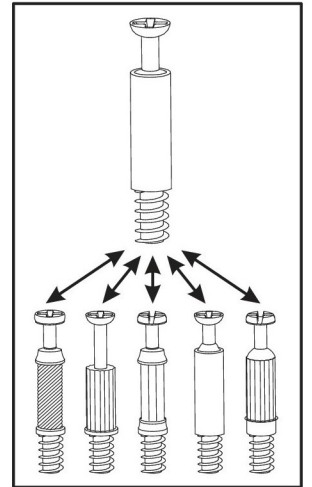
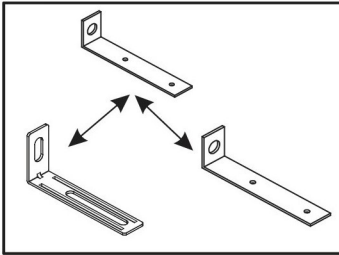
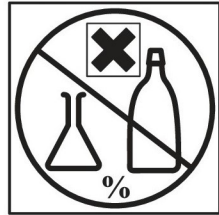
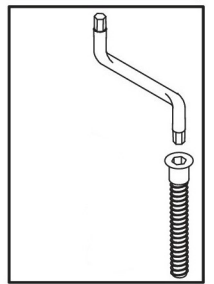
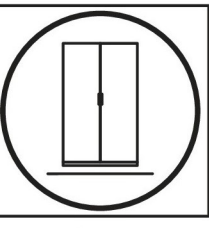
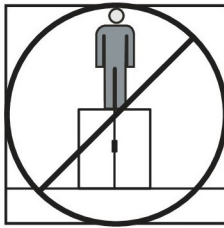
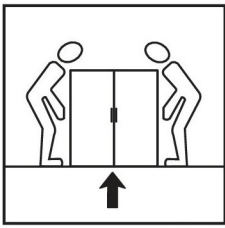
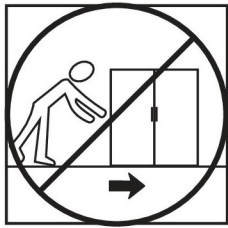
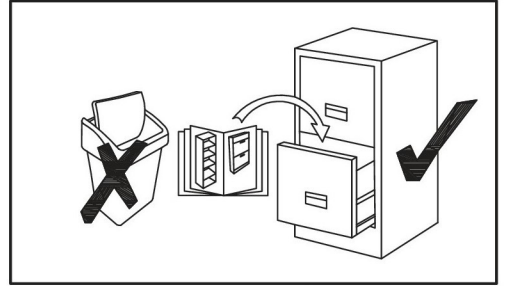
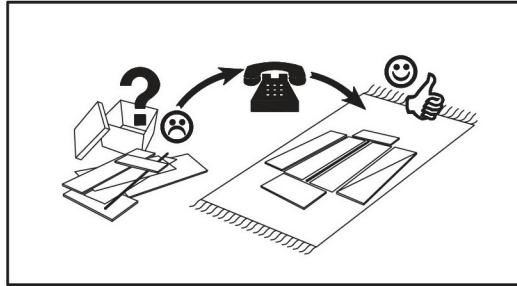
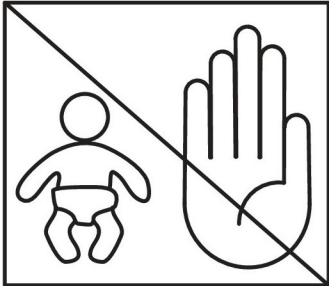
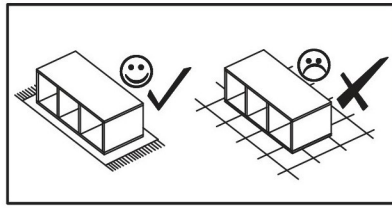
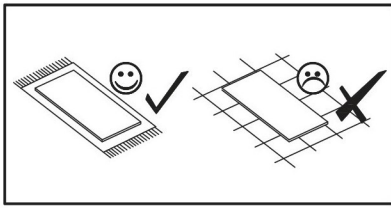
**NOTICE REGARDING HIGH GLOSS
PROTECTIVE FOIL AND PRODUCT CARE:**

After removing the protective foil from the gloss fronts, the acrylic surface of the boards is still soft and easy to scratch. With air contact, the hygroscopic acrylic layer hardens, and the board becomes more resistant to scratches. It takes approximately 48 hours for the acrylic layer of the board to fully harden.

**DO NOT CLEAN, WIPE, OR POLISH THE
ACRYLIC FRONTS FOR 48 HOURS AFTER
REMOVING THE PROTECTIVE FOIL!!!**



help@meblefurniture.com



GOLDIE EF TV STAND

20-06-2022

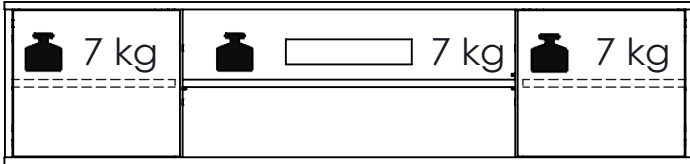
605 36 97 - WHITE

605 36 96 - BLACK



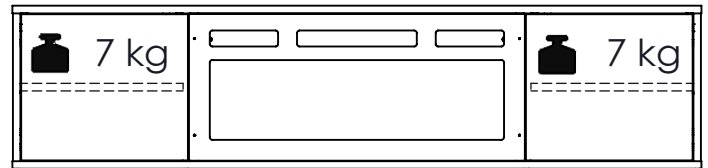
Variant 1 wall mounted

 30 kg

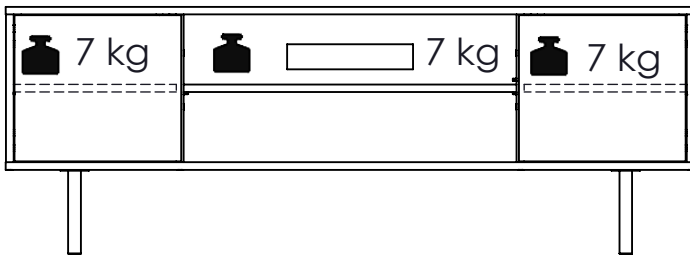


Variant 2 wall mounted

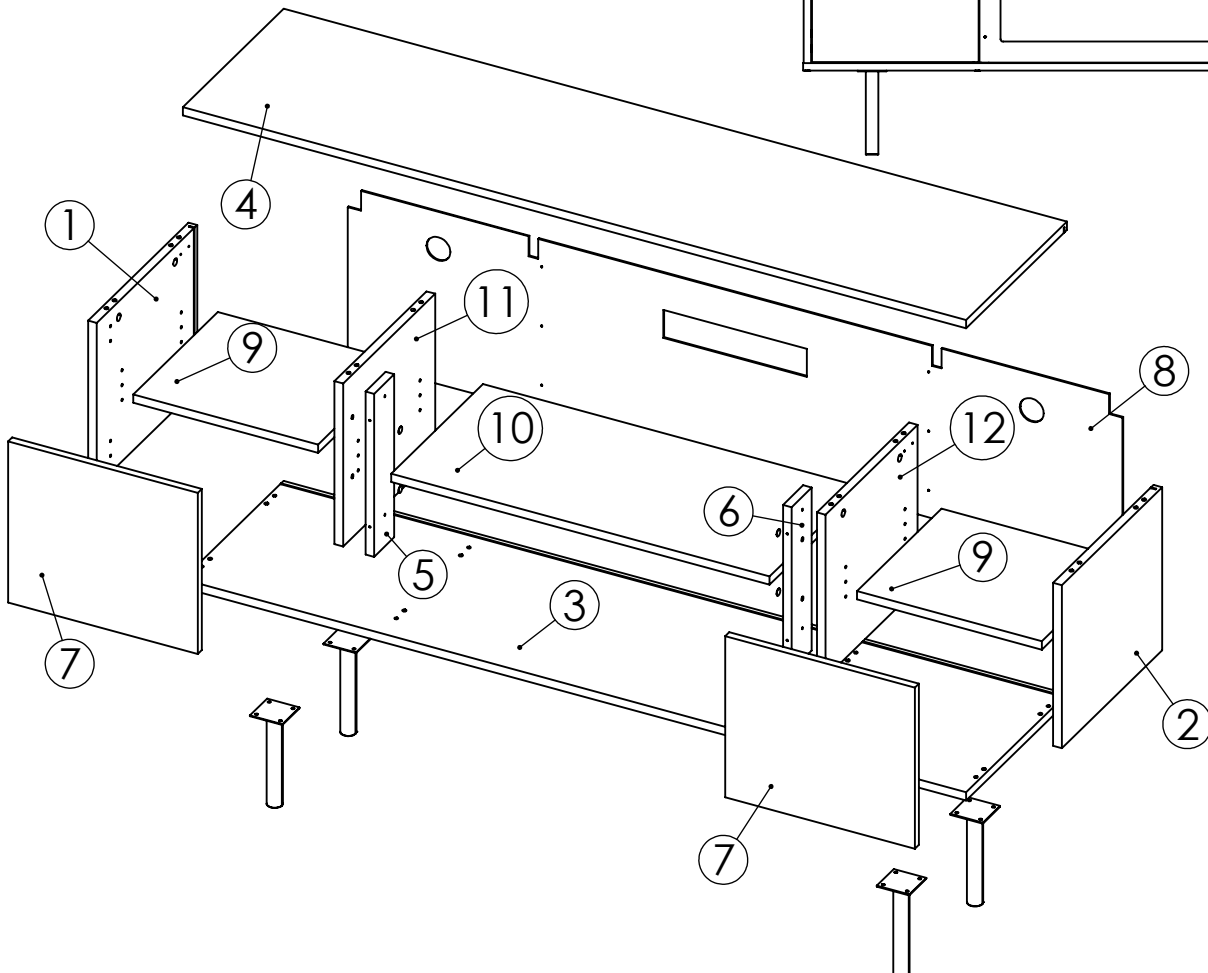
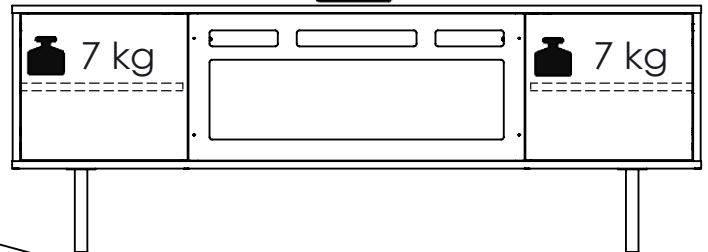
 30 kg

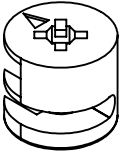
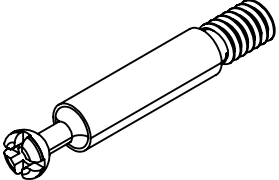
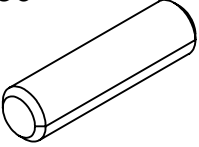
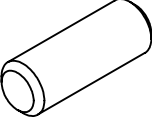
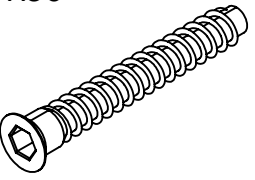
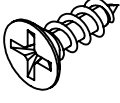
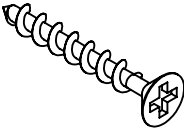
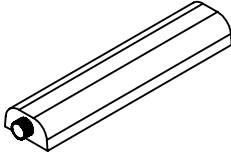
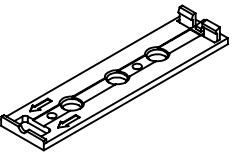
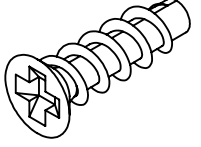
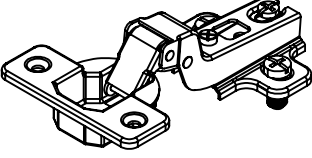
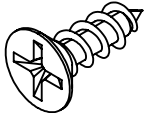
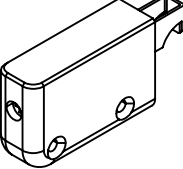
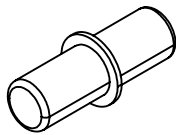
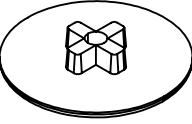
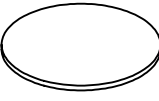
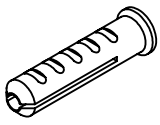
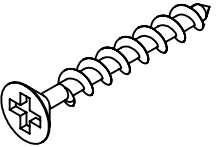
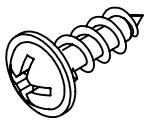
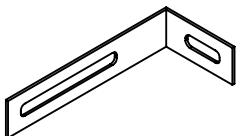
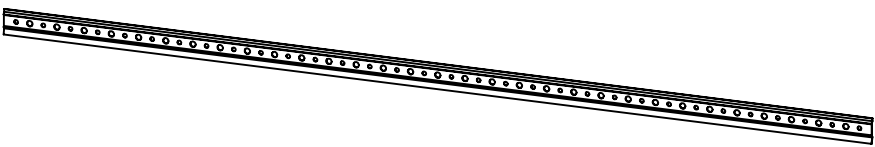
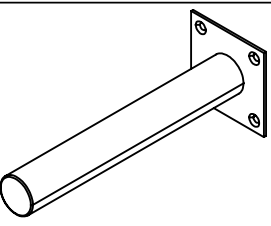
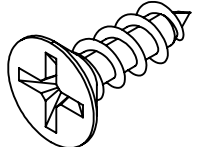
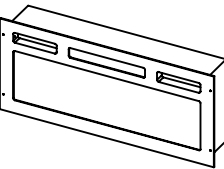
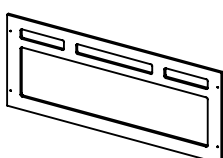

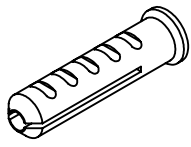
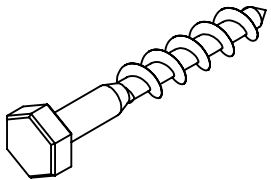
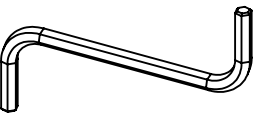


Variant 3  30 kg

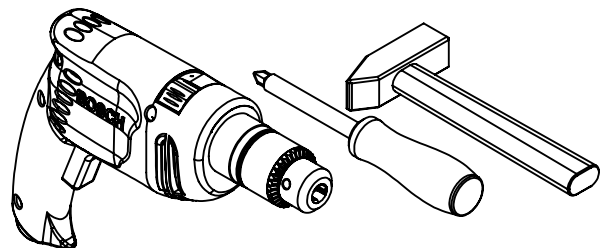
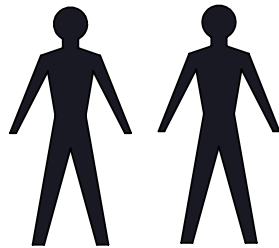
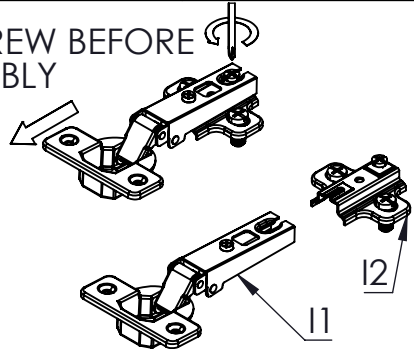


Variant 4  30 kg



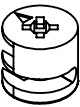
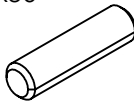
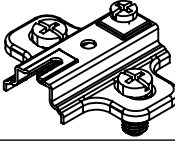
		8x30 	8x22 	7x50 
A x 8	B x 8	C x 16	D x 4	E x 8
2,5x16 	4x30 			6x13 
F x 6	G x 16	H1 x 2 / H2 x 2 / H3 x 4		
	3,5x13 			
I1 x 4 / I2 x 4	J x 8	K x 4	L x 12	
				
M1 x 8	M2 x 4	N1 x 2 / N2 x 2 / N3 x 2 / N4 x 2		
				4x16 
O x 1			P1 x 4	P2 x 16
				
Q1 x 1 / Q2 x 1 / Q3 x 2	R1 x 4	R2 x 4	IMBUS 	

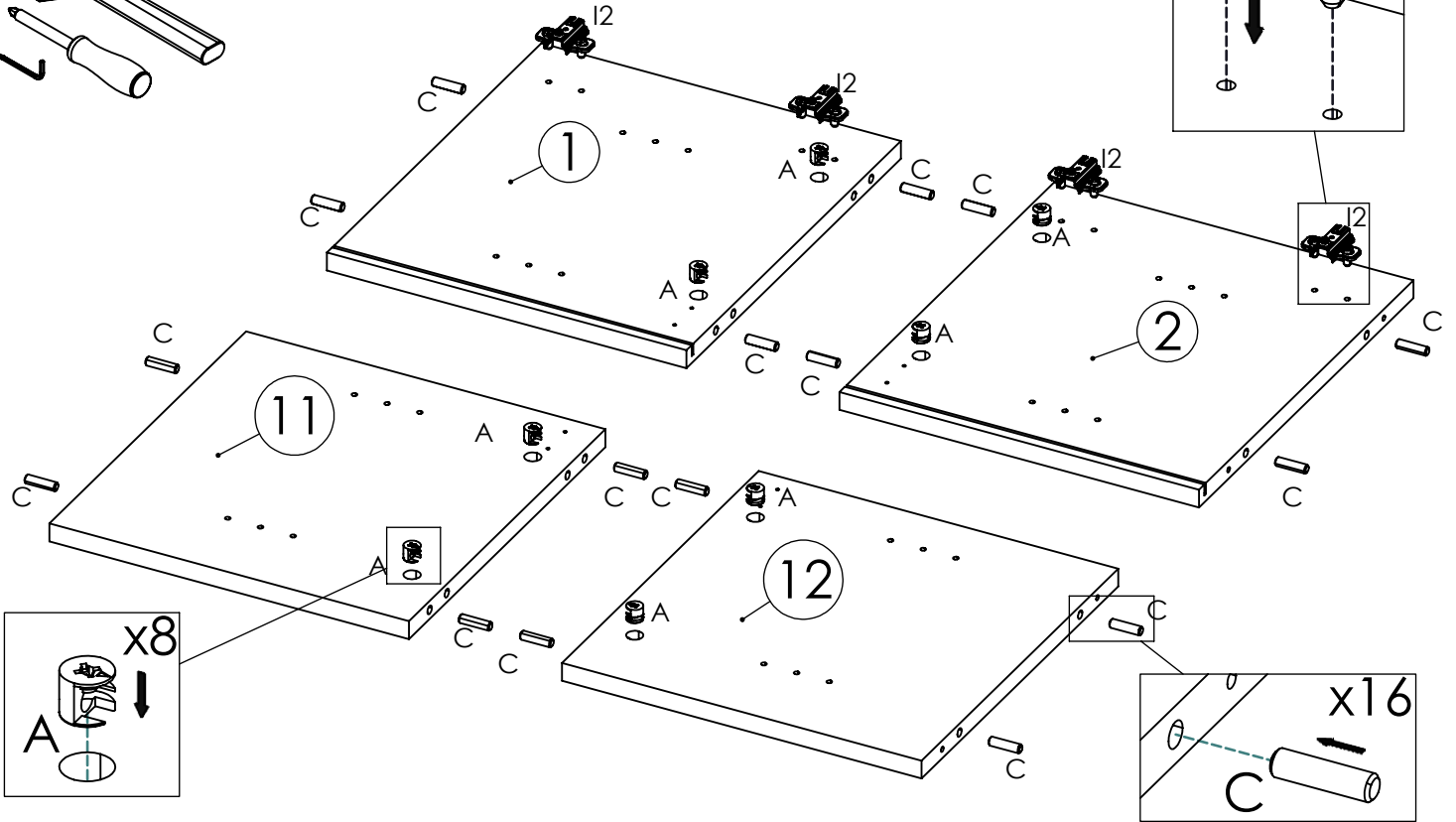
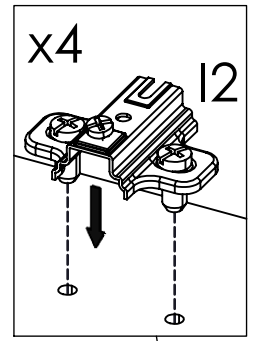
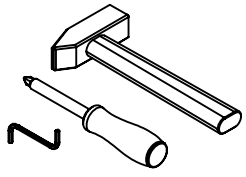
UNSCREW BEFORE ASSEMBLY



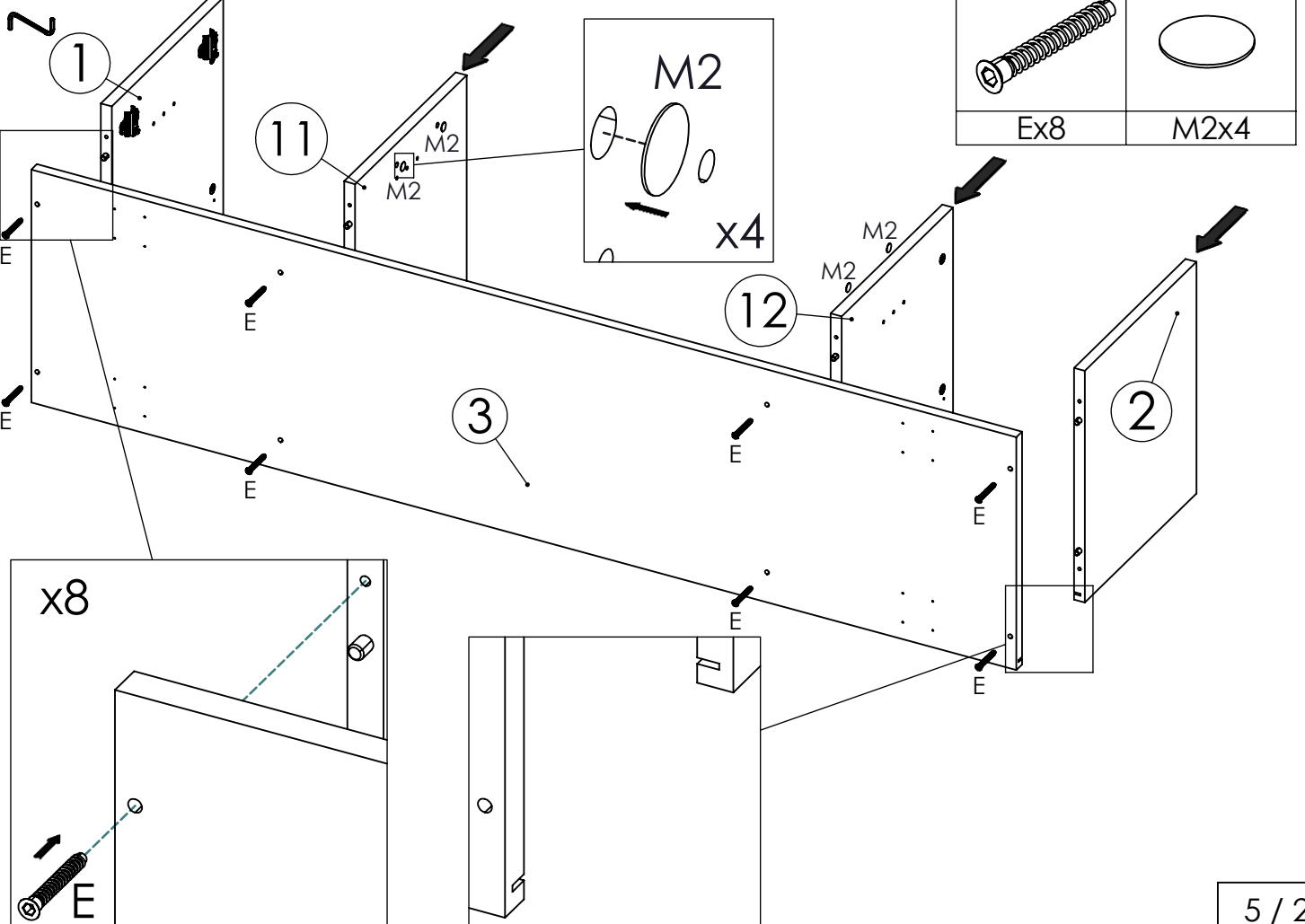
Variant 1

STEP - 1

	8x30 	
Ax8	Cx16	I2x4

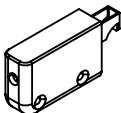
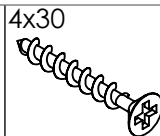
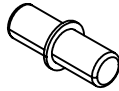


STEP - 2

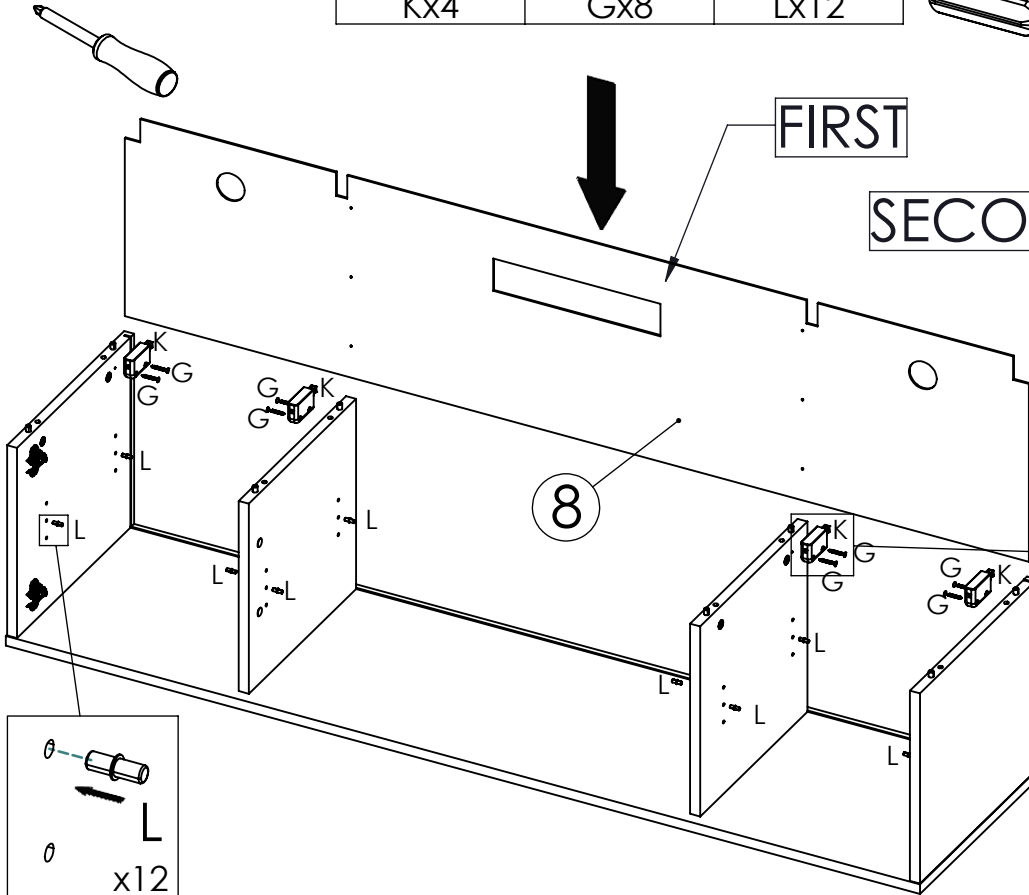
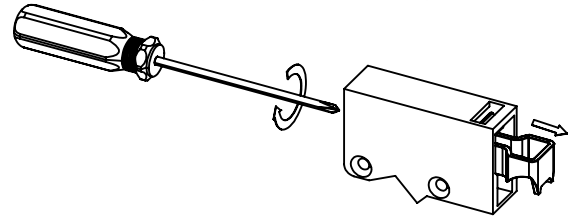


Variant 1

STEP - 3

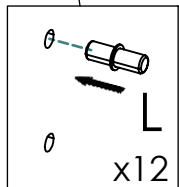
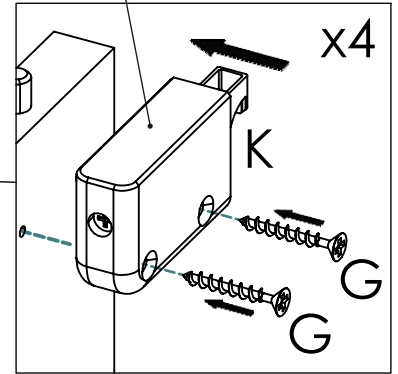
		
Kx4	Gx8	Lx12

BEFORE
INSTALLATION

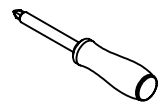


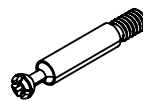
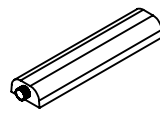
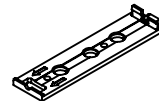
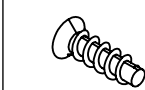
FIRST

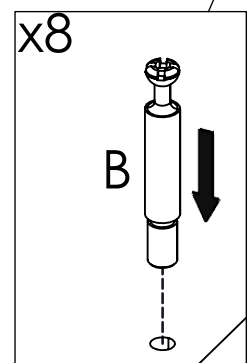
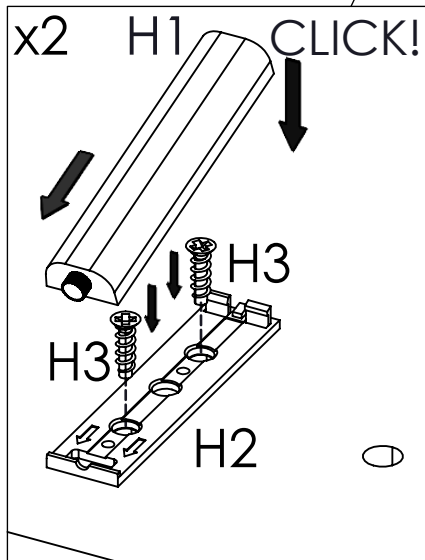
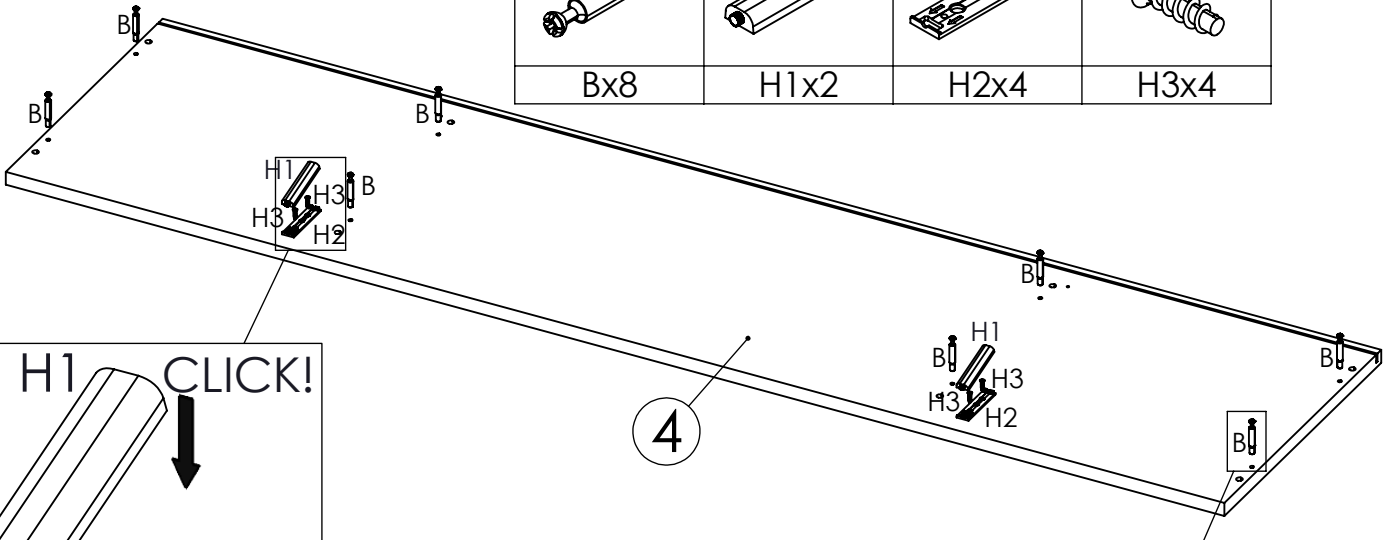
SECOND



STEP - 4



			
Bx8	H1x2	H2x4	H3x4



Variant 1

STEP - 5

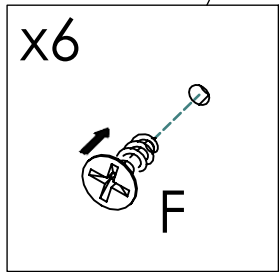
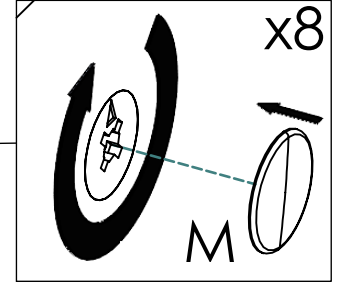
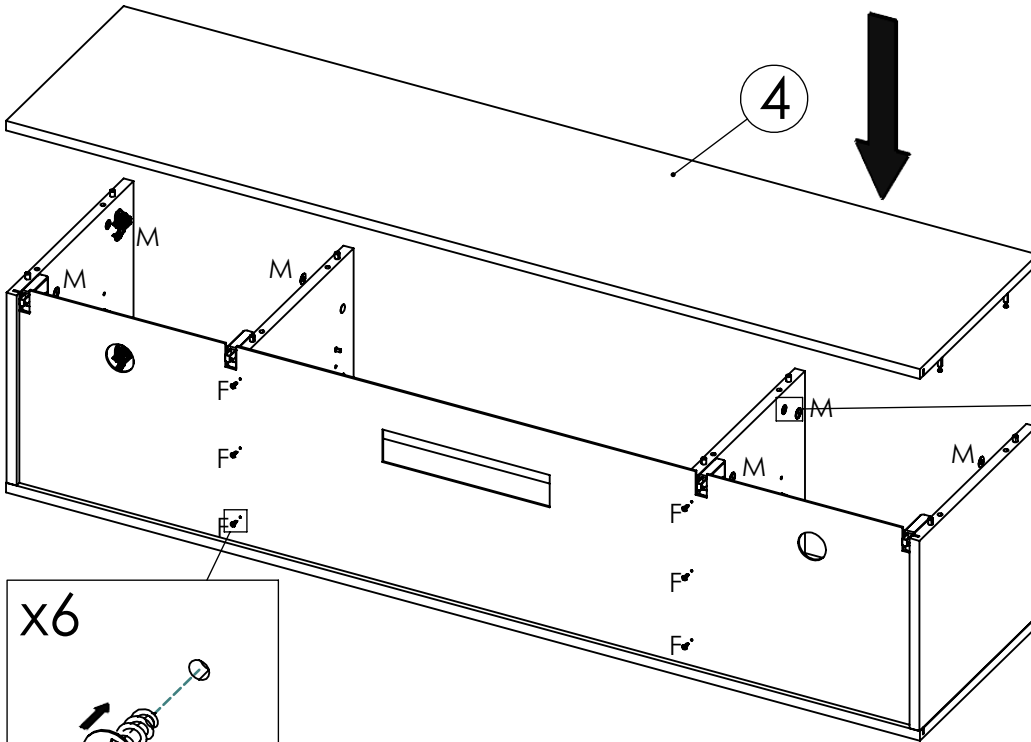
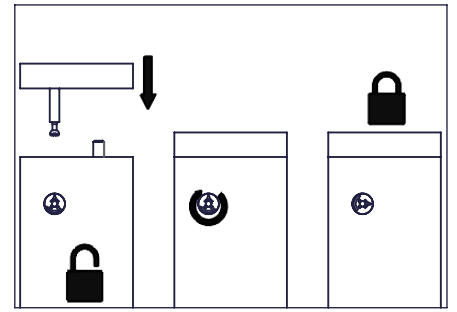
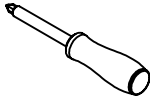
2,5x16



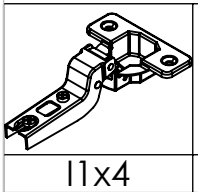
Fx6



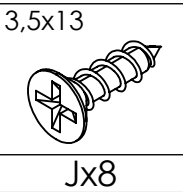
Mx8



STEP - 6

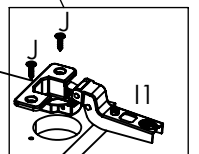
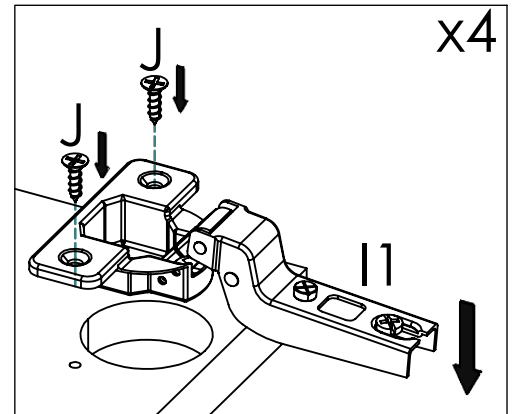
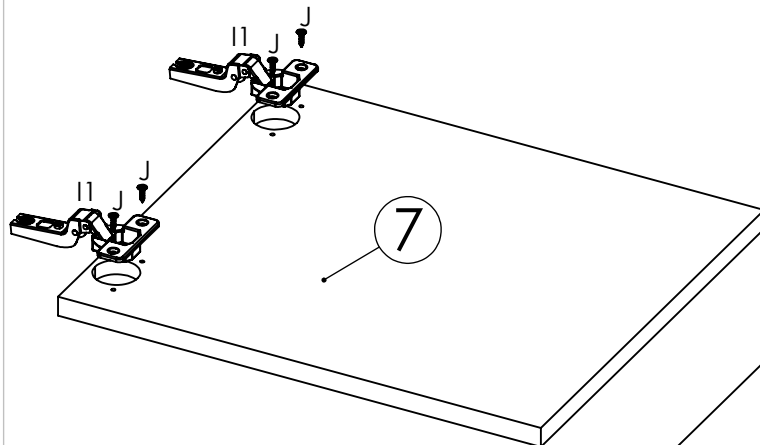
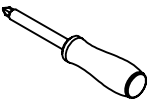


11x4



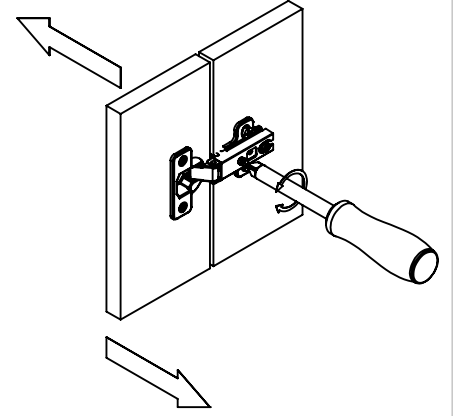
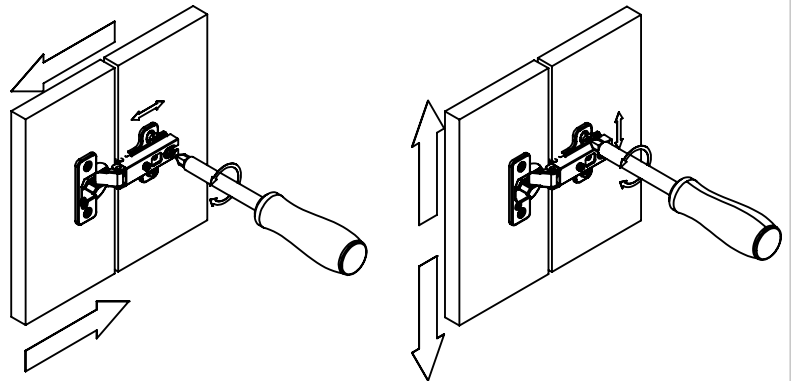
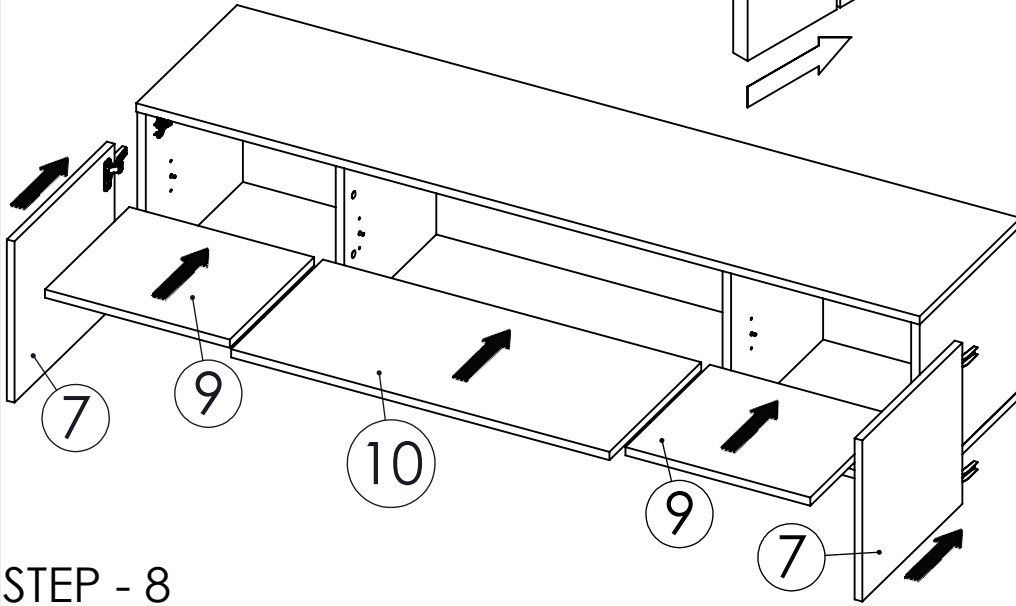
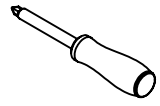
3,5x13

Jx8

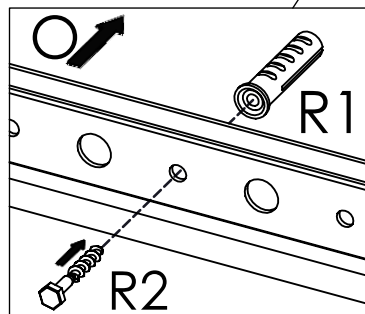
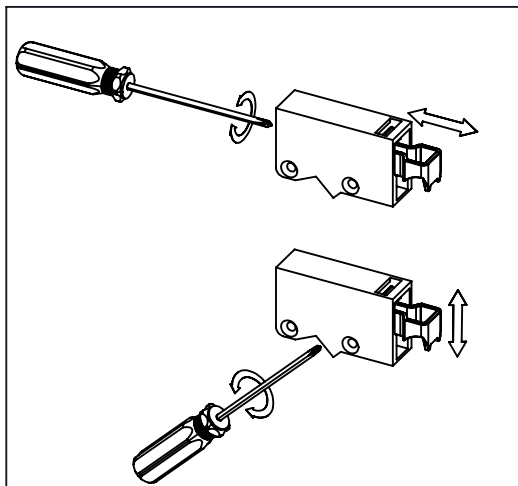
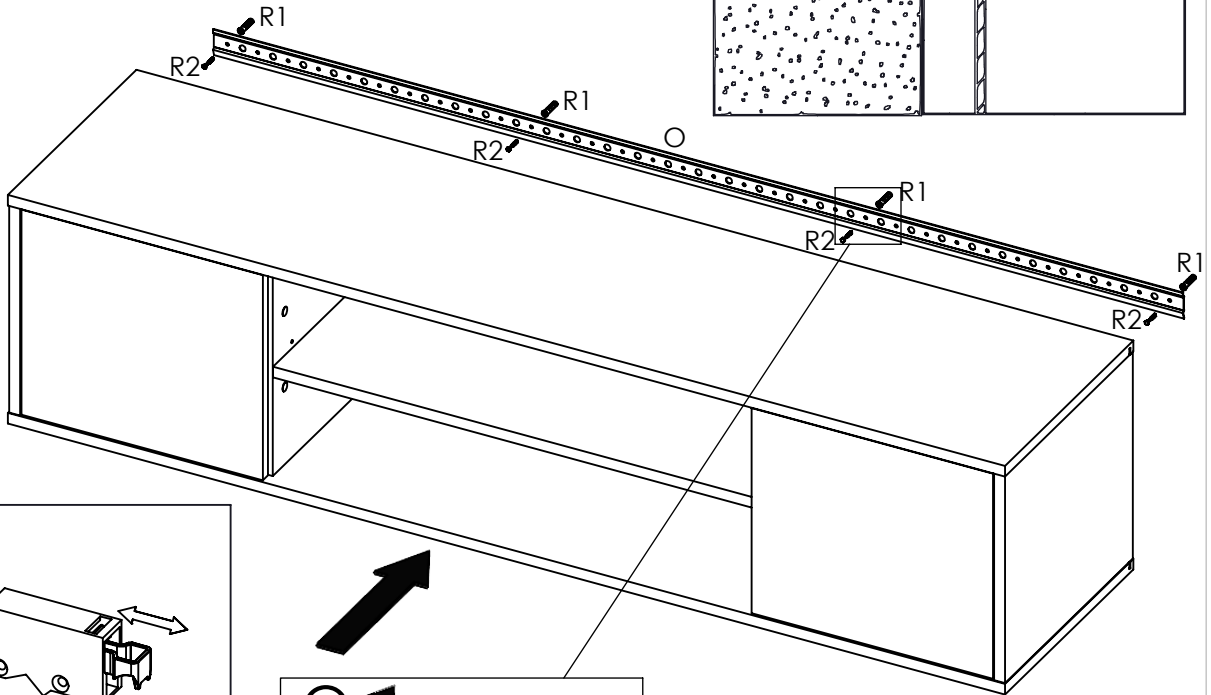
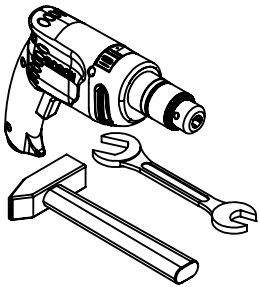
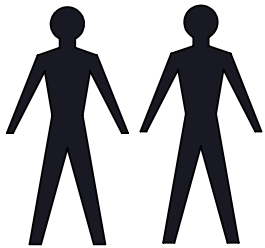
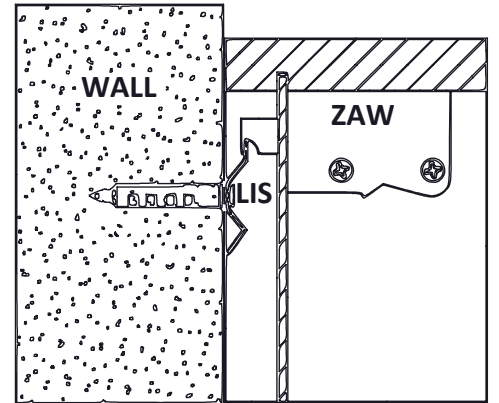
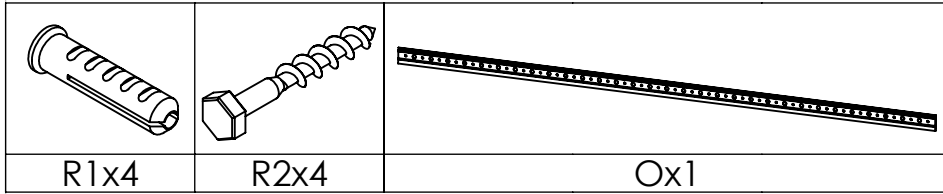


Variant 1

STEP - 7

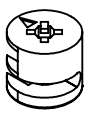
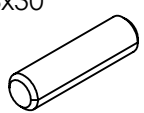
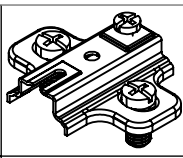


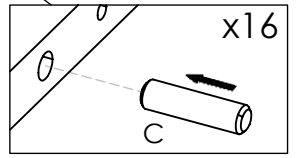
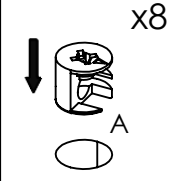
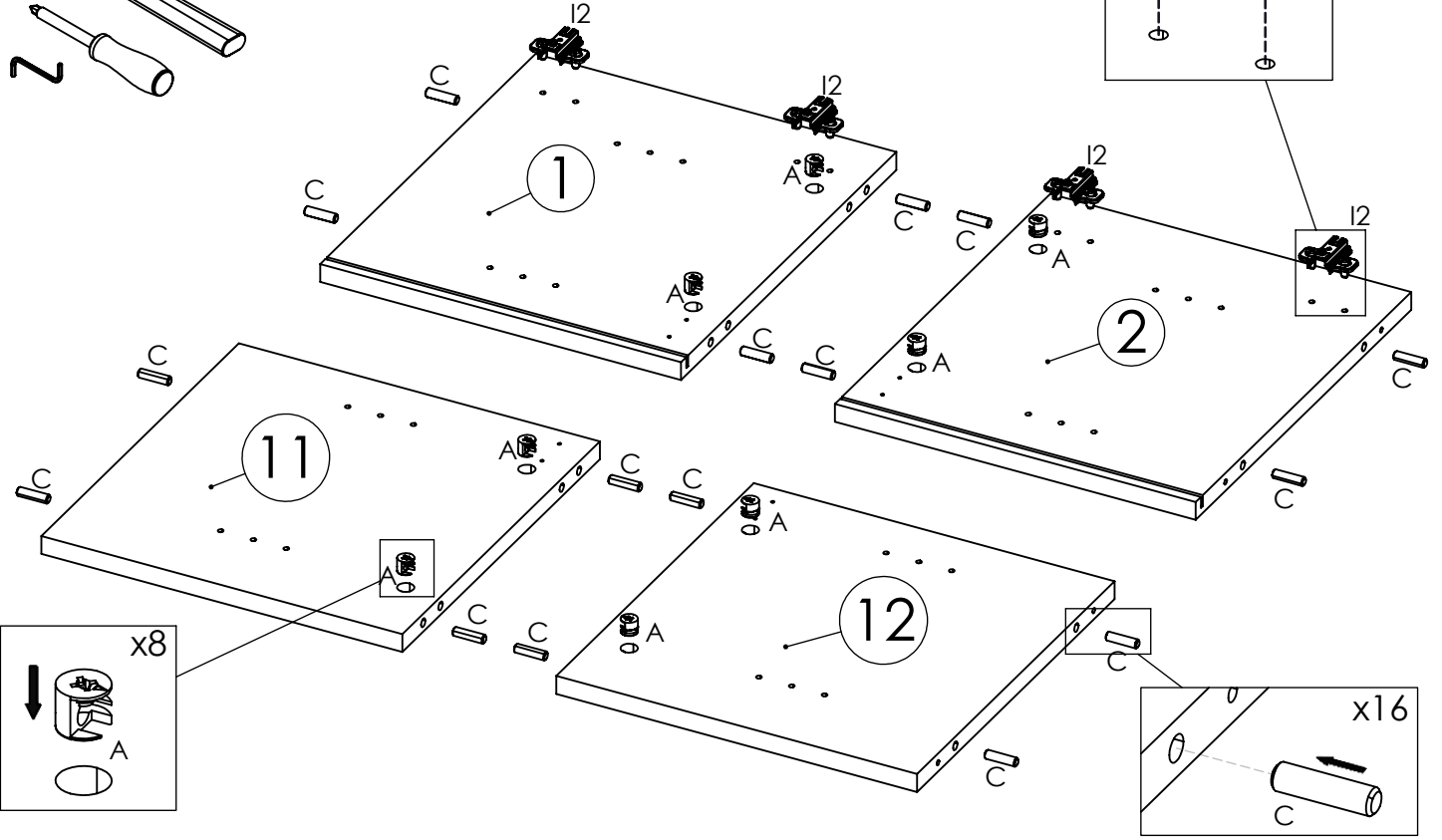
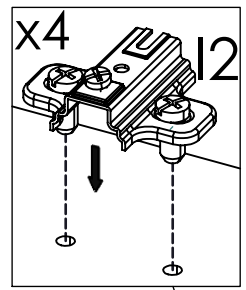
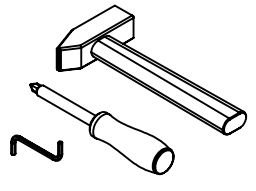
STEP - 8



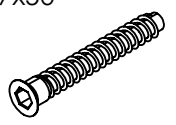
Variant 2

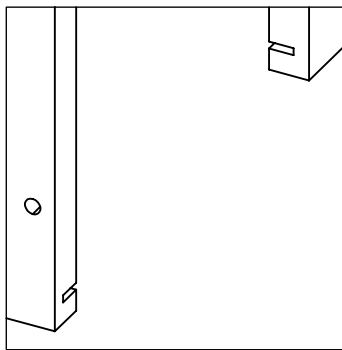
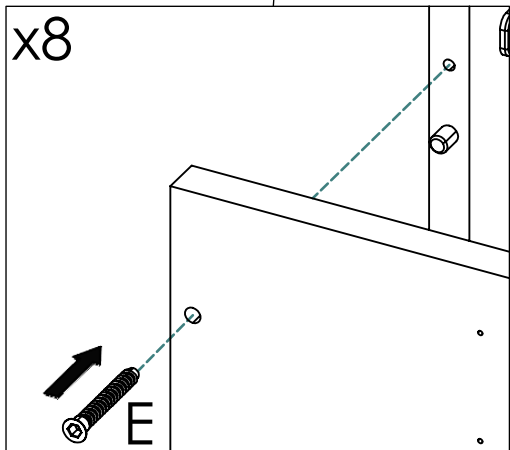
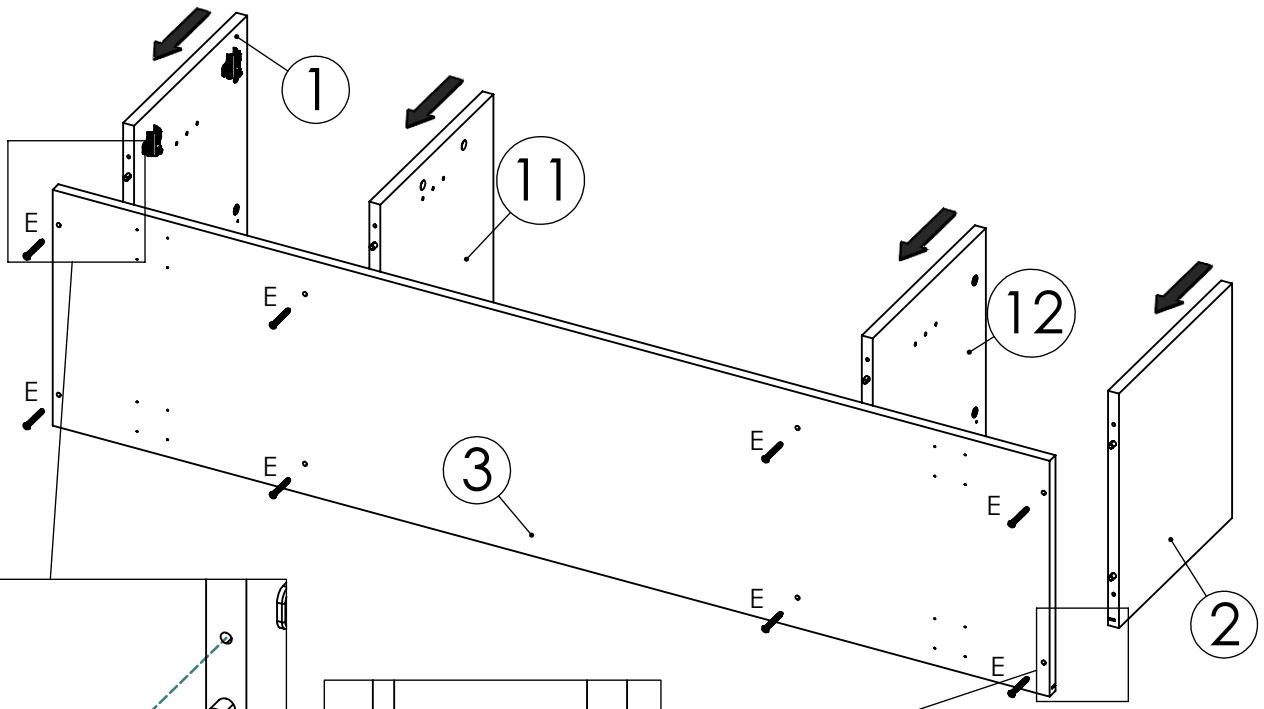
STEP - 1

	8x30 	
Ax8	Cx16	I2x4



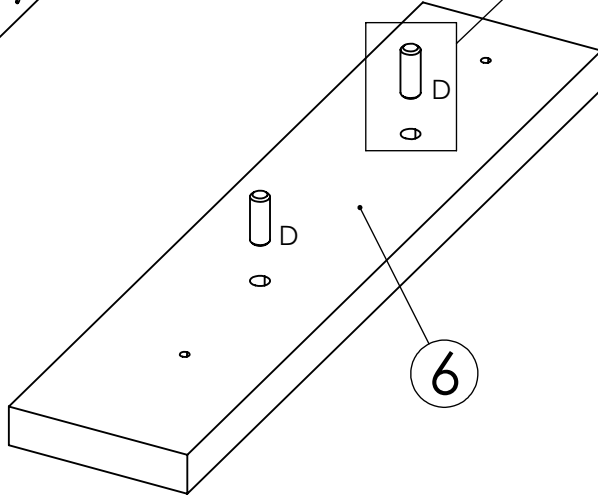
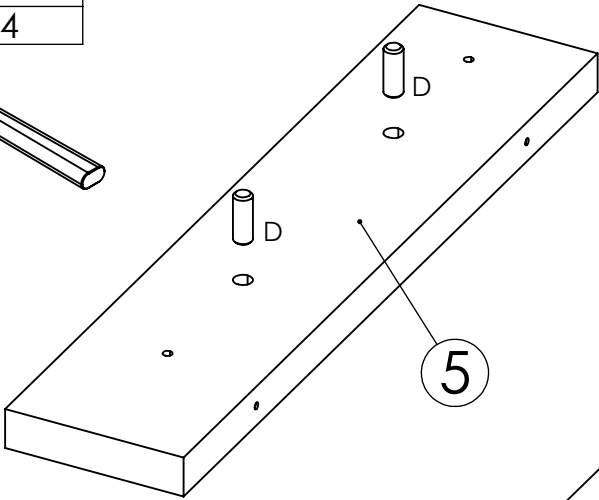
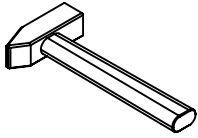
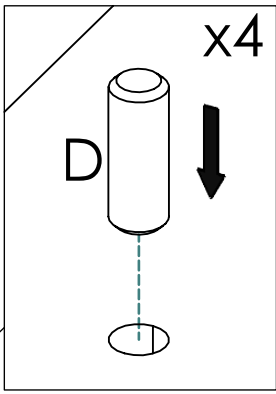
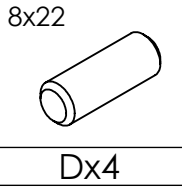
STEP - 2

7x50 
Ex8

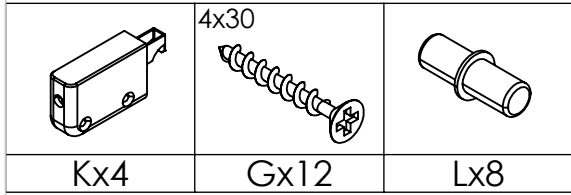


Variant 2

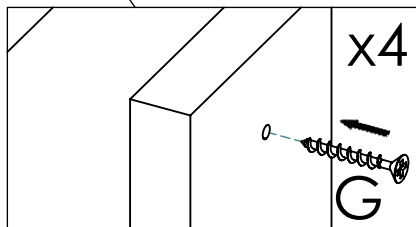
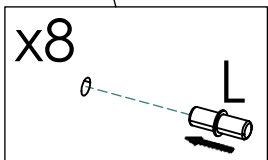
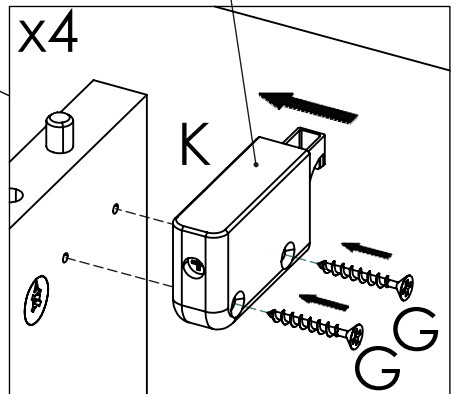
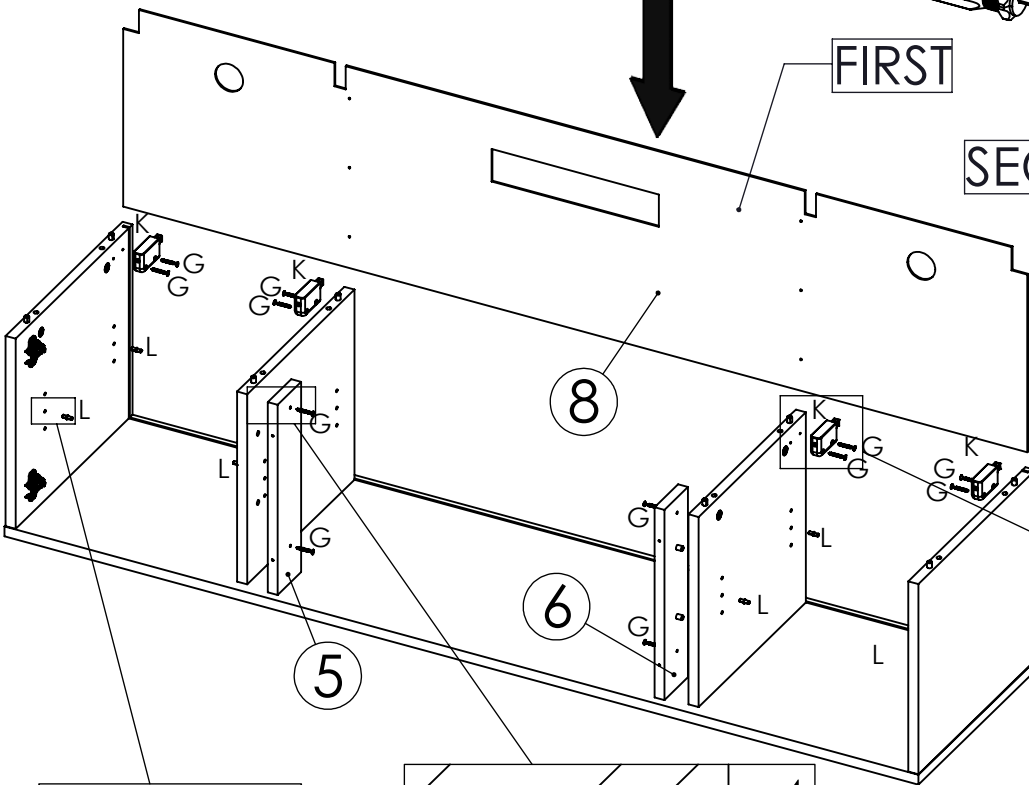
STEP - 3



STEP - 4

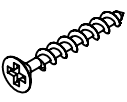
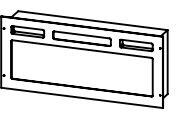
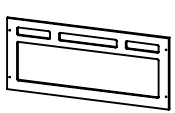


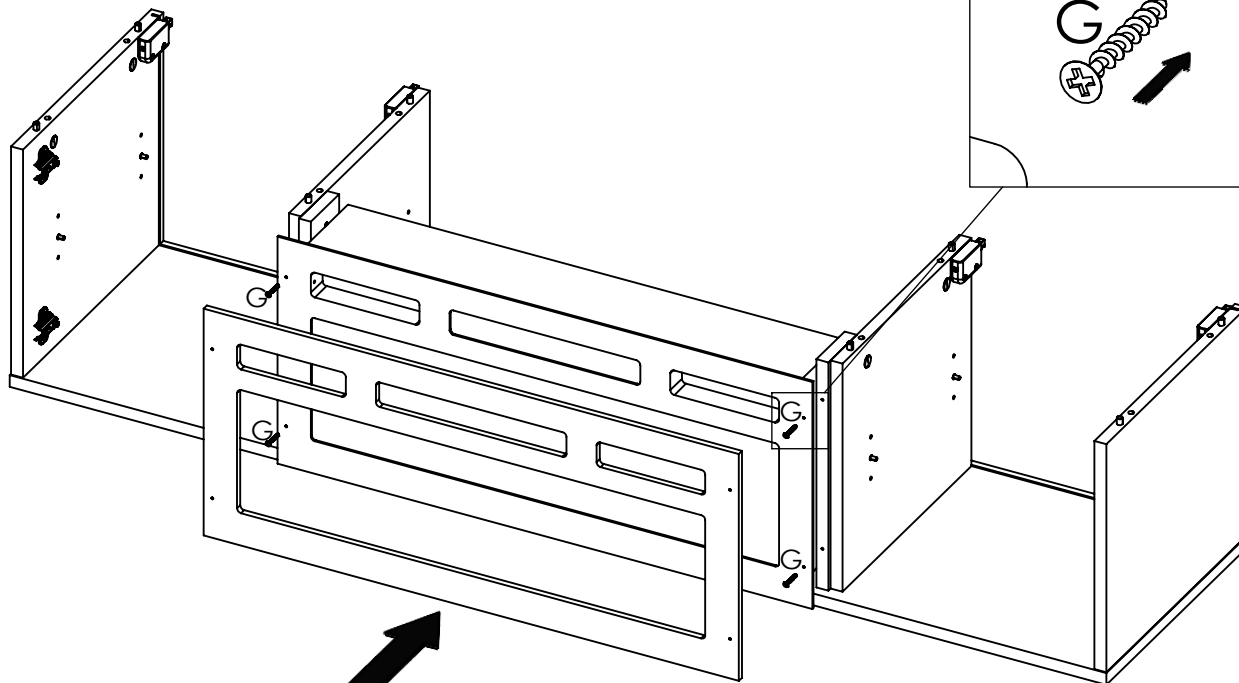
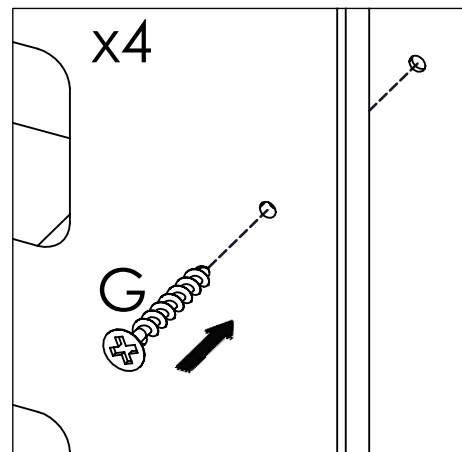
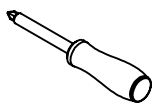
BEFORE
INSTALLATION



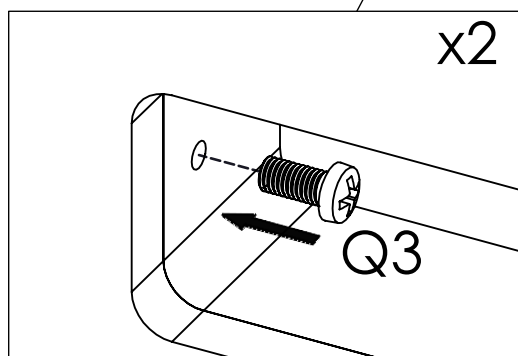
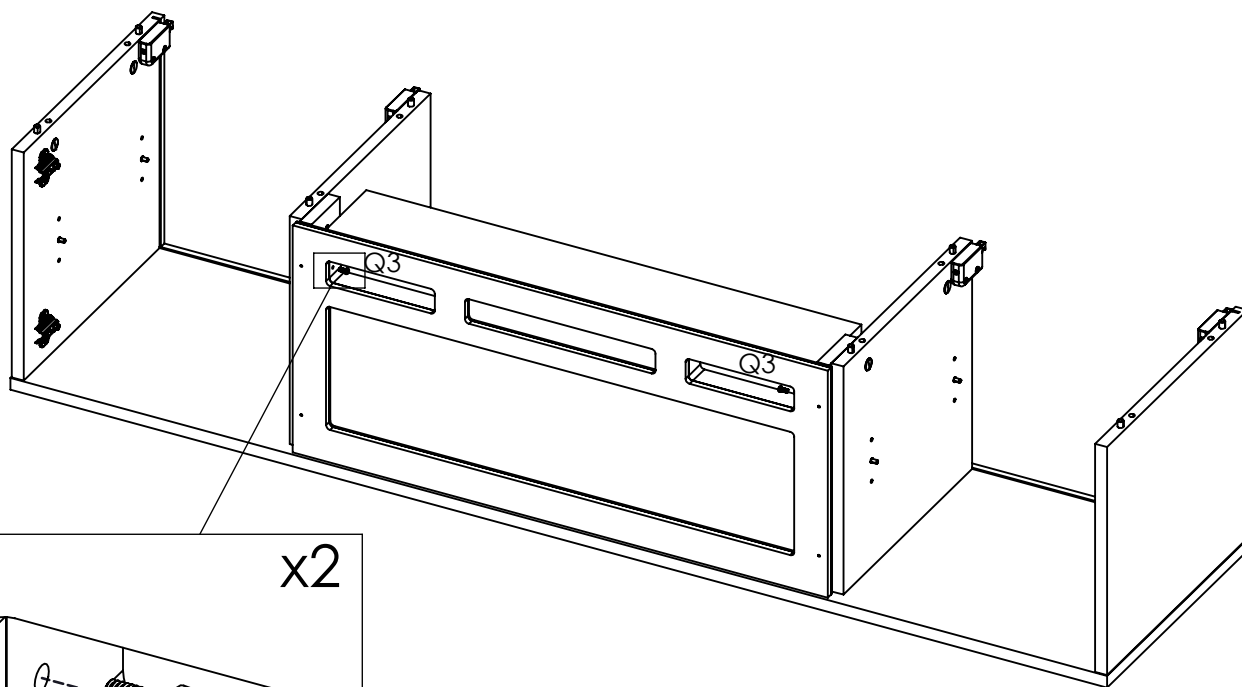
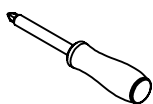
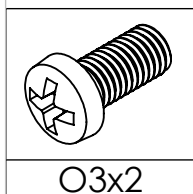
Variant 2

STEP - 5

4x30			
	Gx4	Q1	Q2

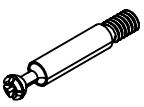
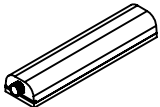
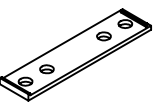
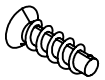


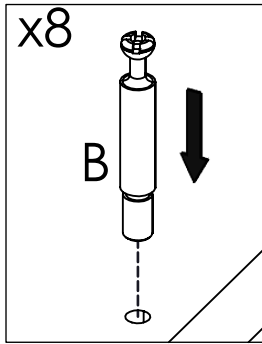
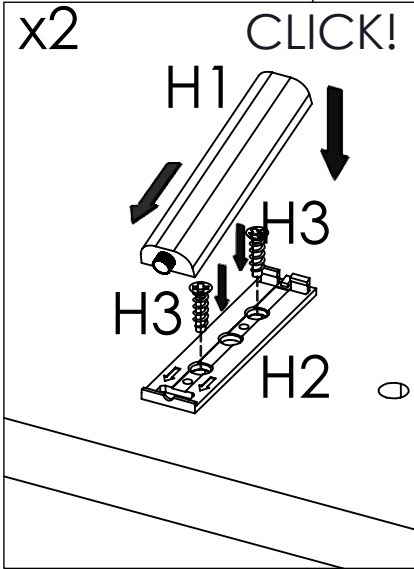
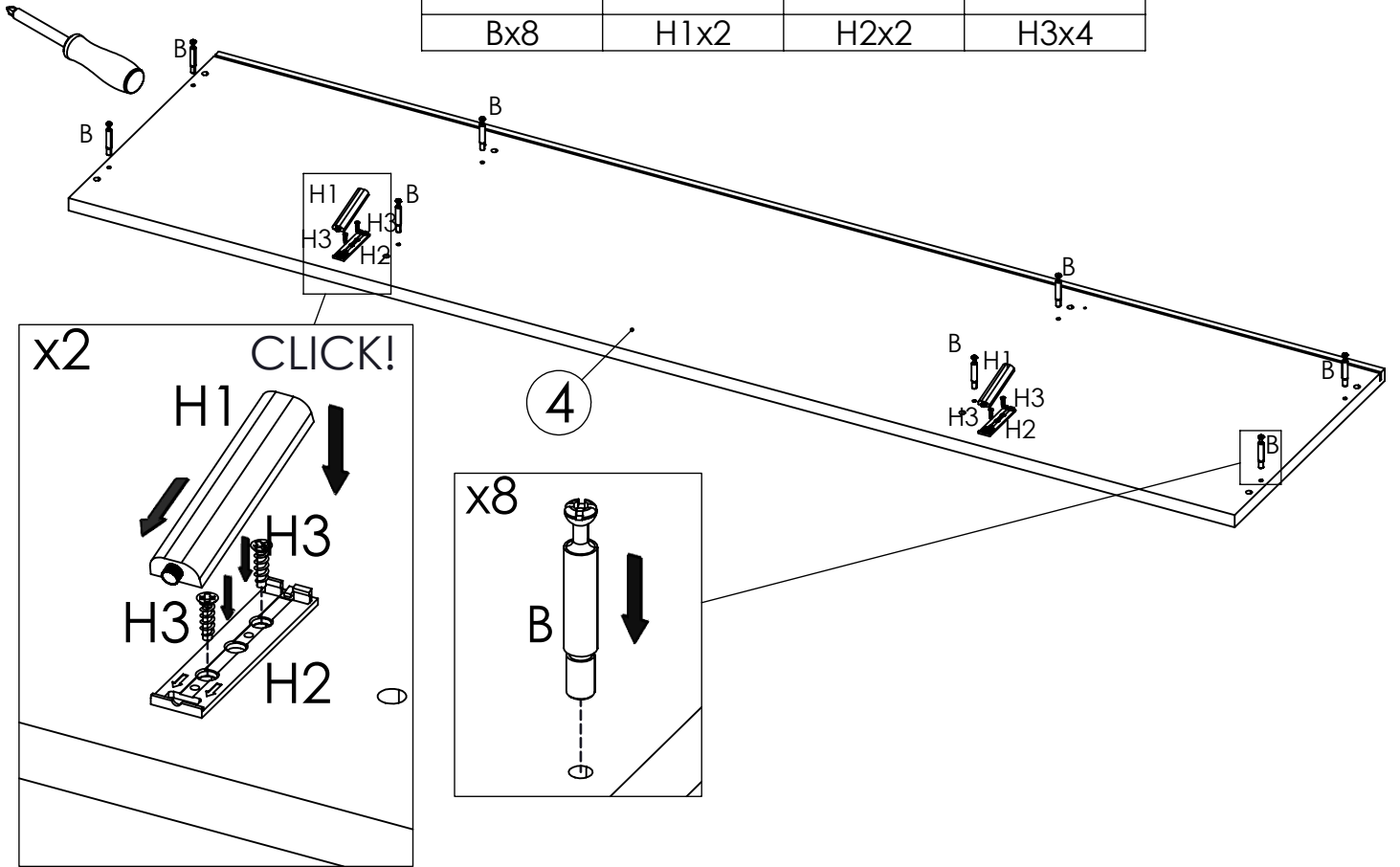
STEP - 6



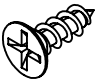

Variant 2

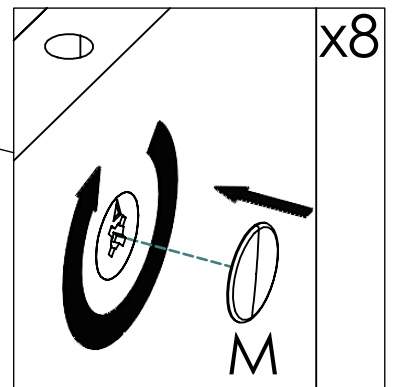
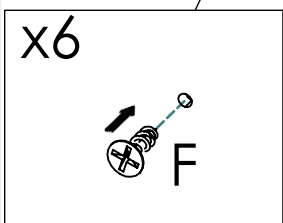
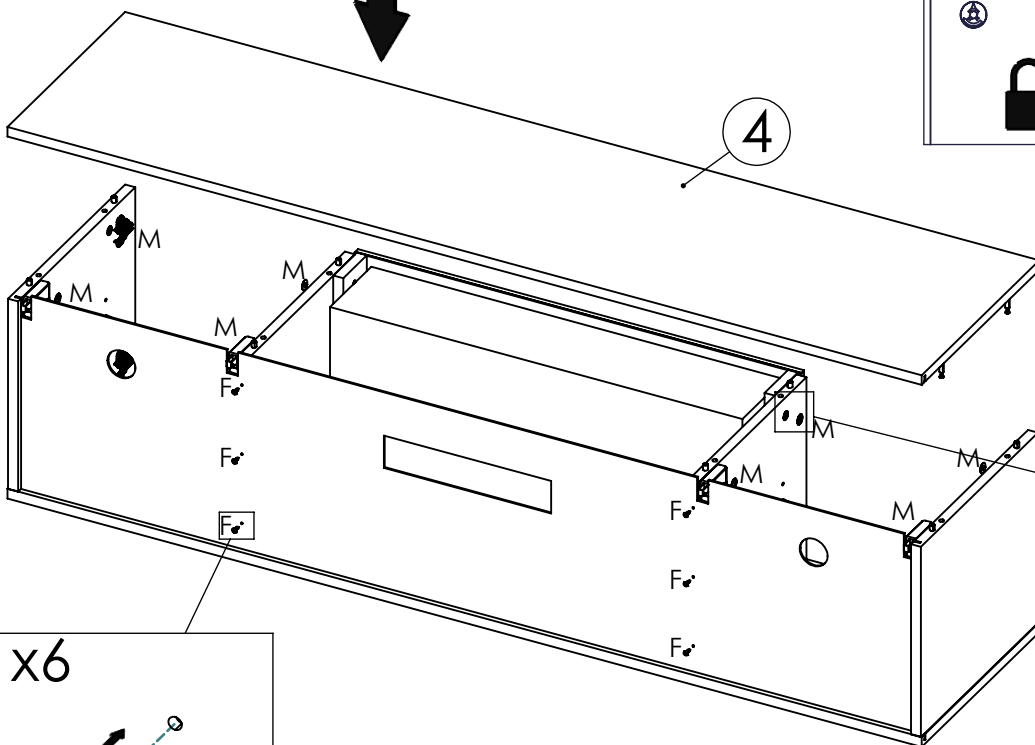
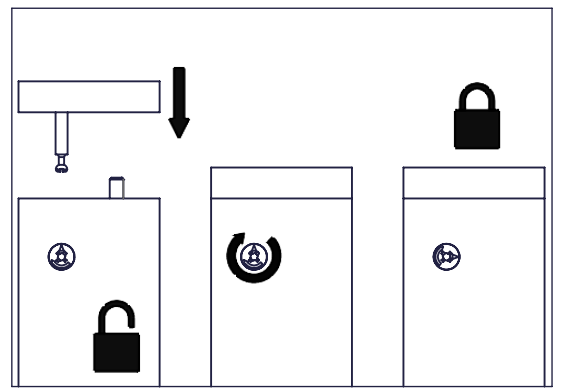
STEP - 7

			6x13 
Bx8	H1x2	H2x2	H3x4



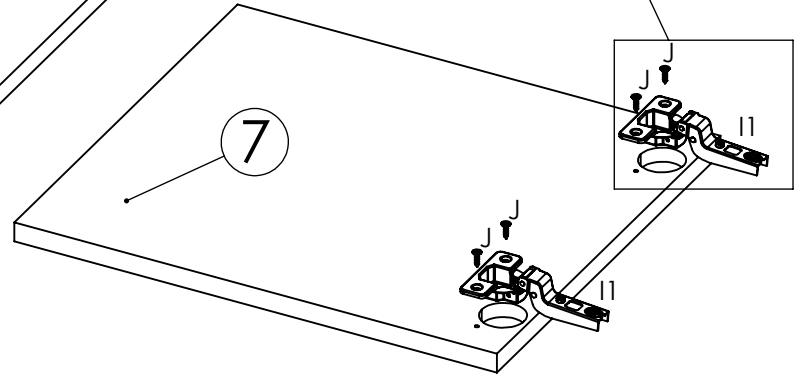
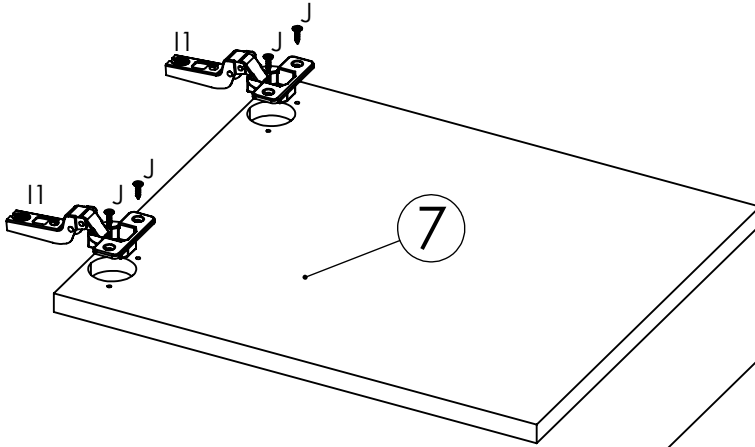
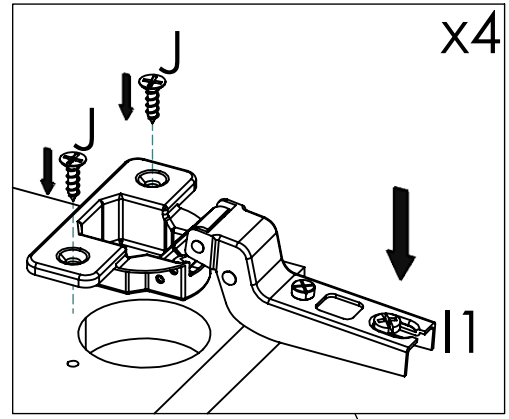
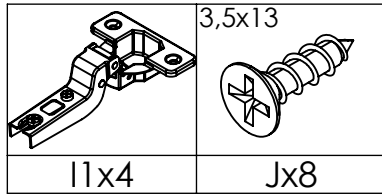
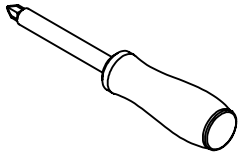
STEP - 8

2,5x16 	
Fx6	Mx8

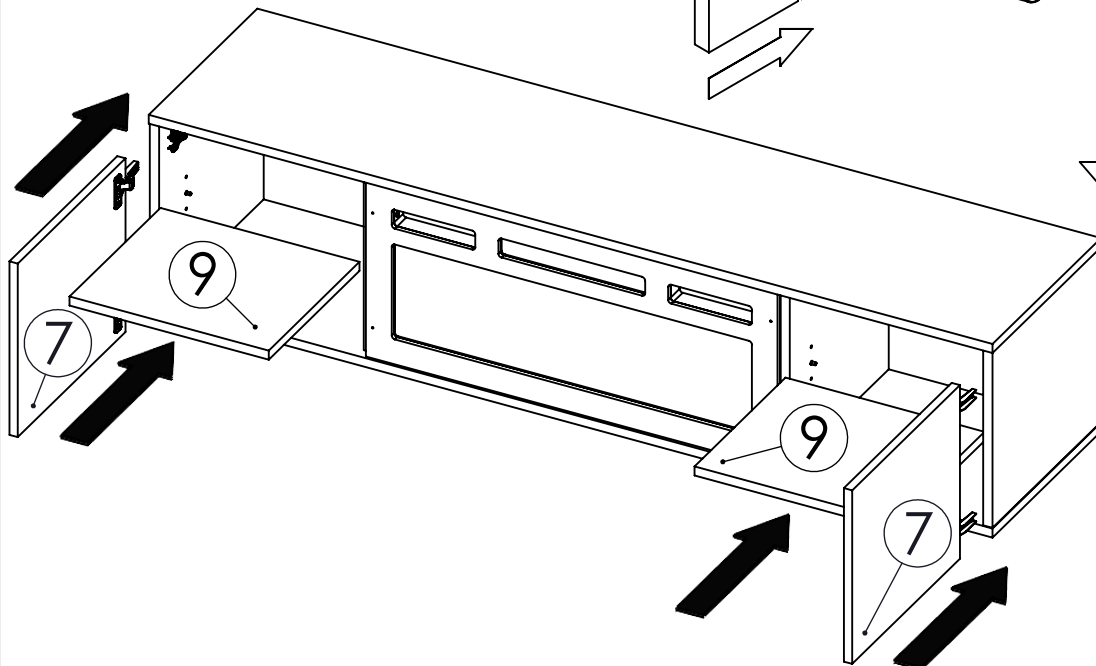
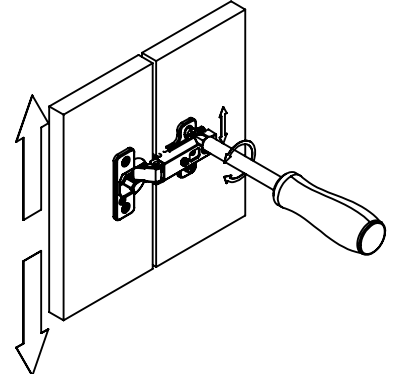
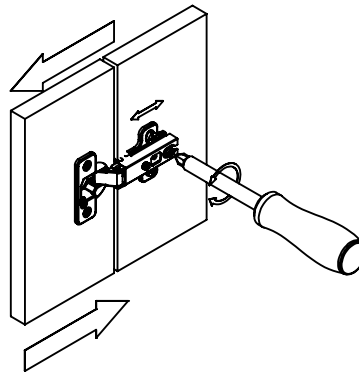
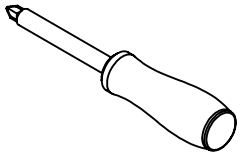


Variant 2

STEP - 9

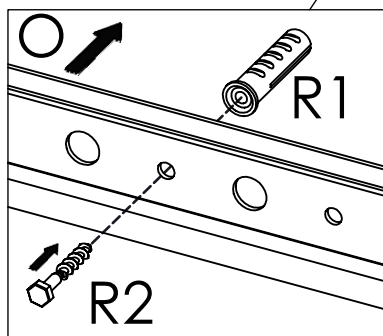
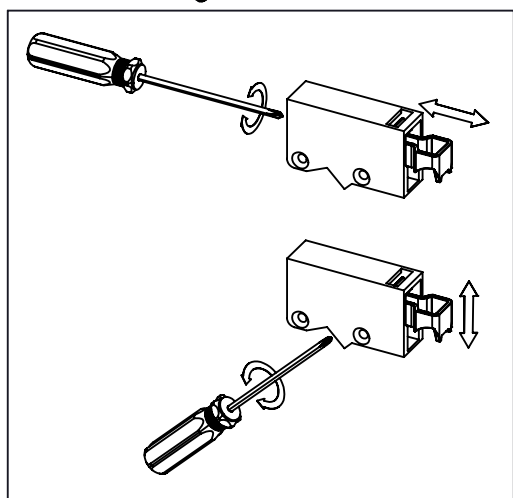
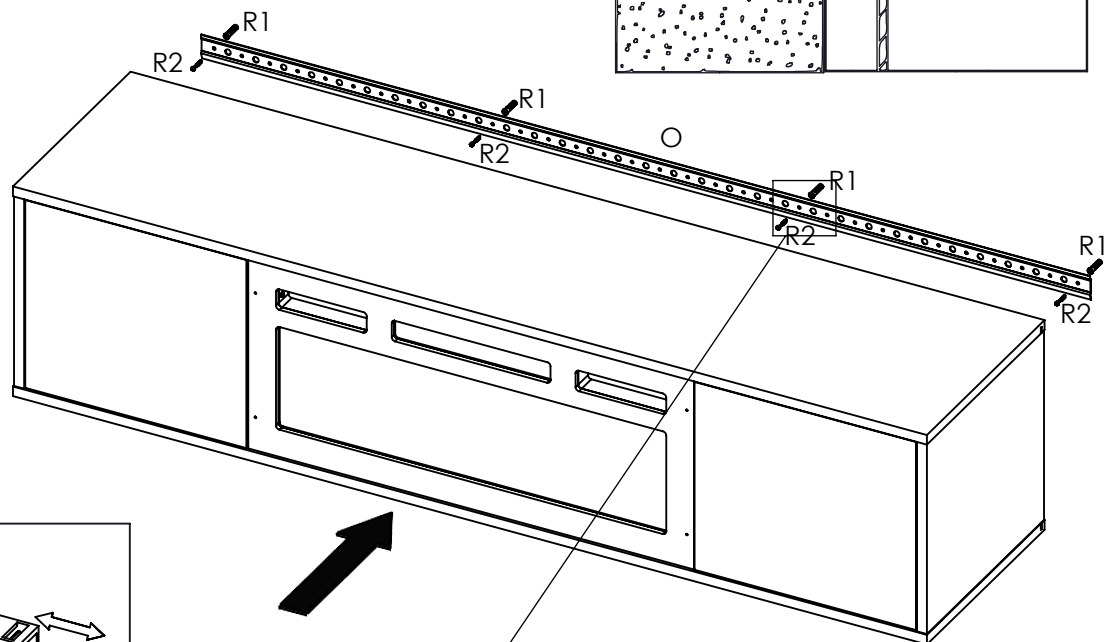
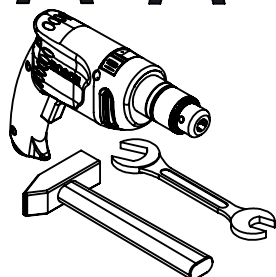
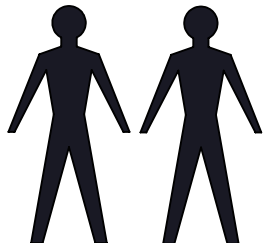
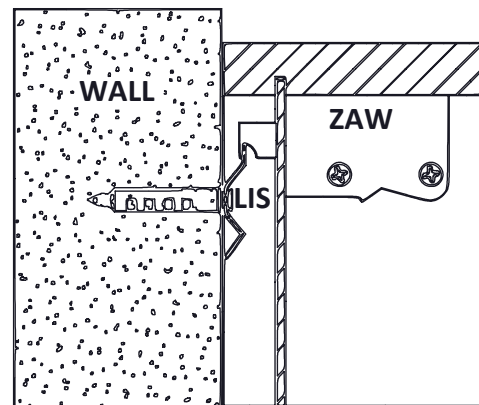
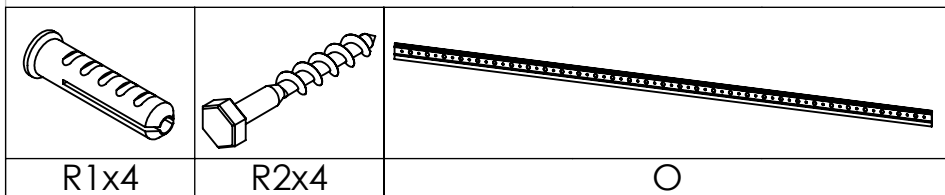


STEP - 10



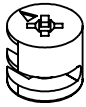
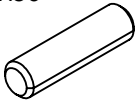
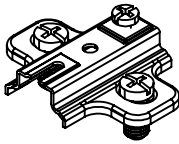
Variant 2

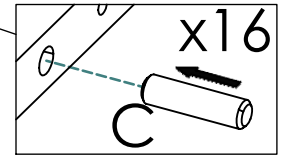
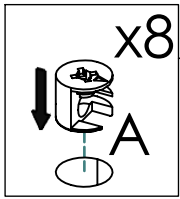
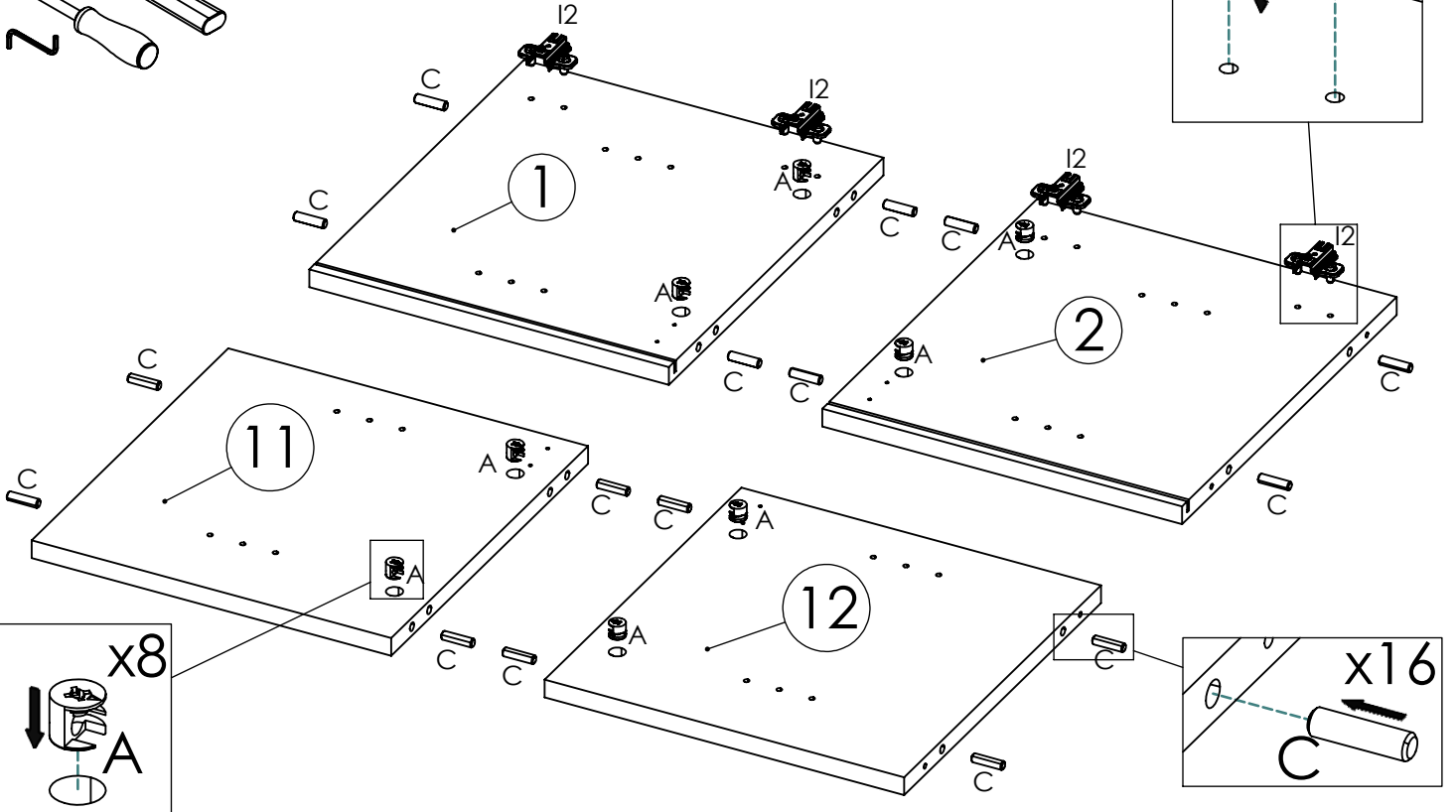
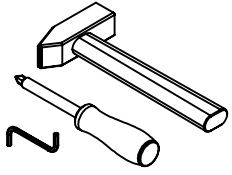
STEP - 11



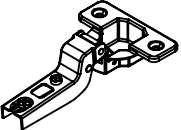
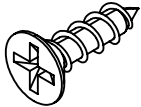
Variant 3

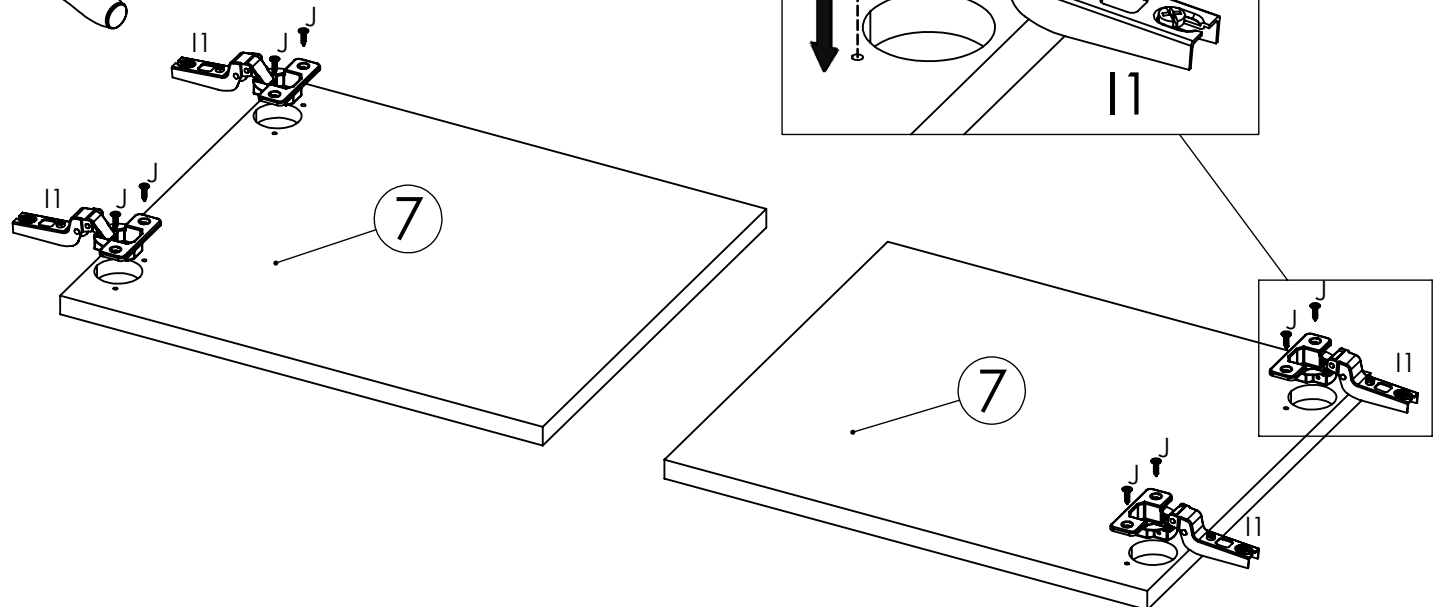
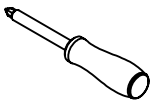
STEP - 1

	8x30 	
Ax8	Cx16	I2x4



STEP - 2

	3,5x13 
I1x4	Jx8



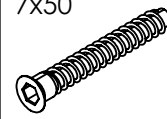
Variant 3

STEP - 3

2

x8

7x50



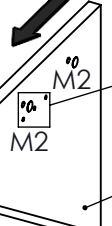
Ex8



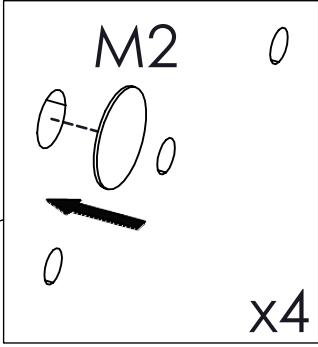
M2x4



1



11



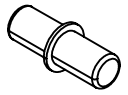
x4

M2

12

2

STEP - 4



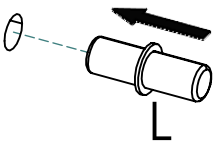
Lx12



3

8

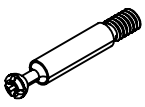
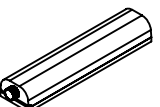
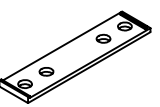
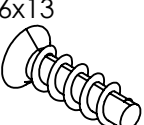
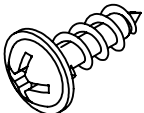
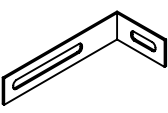
x12

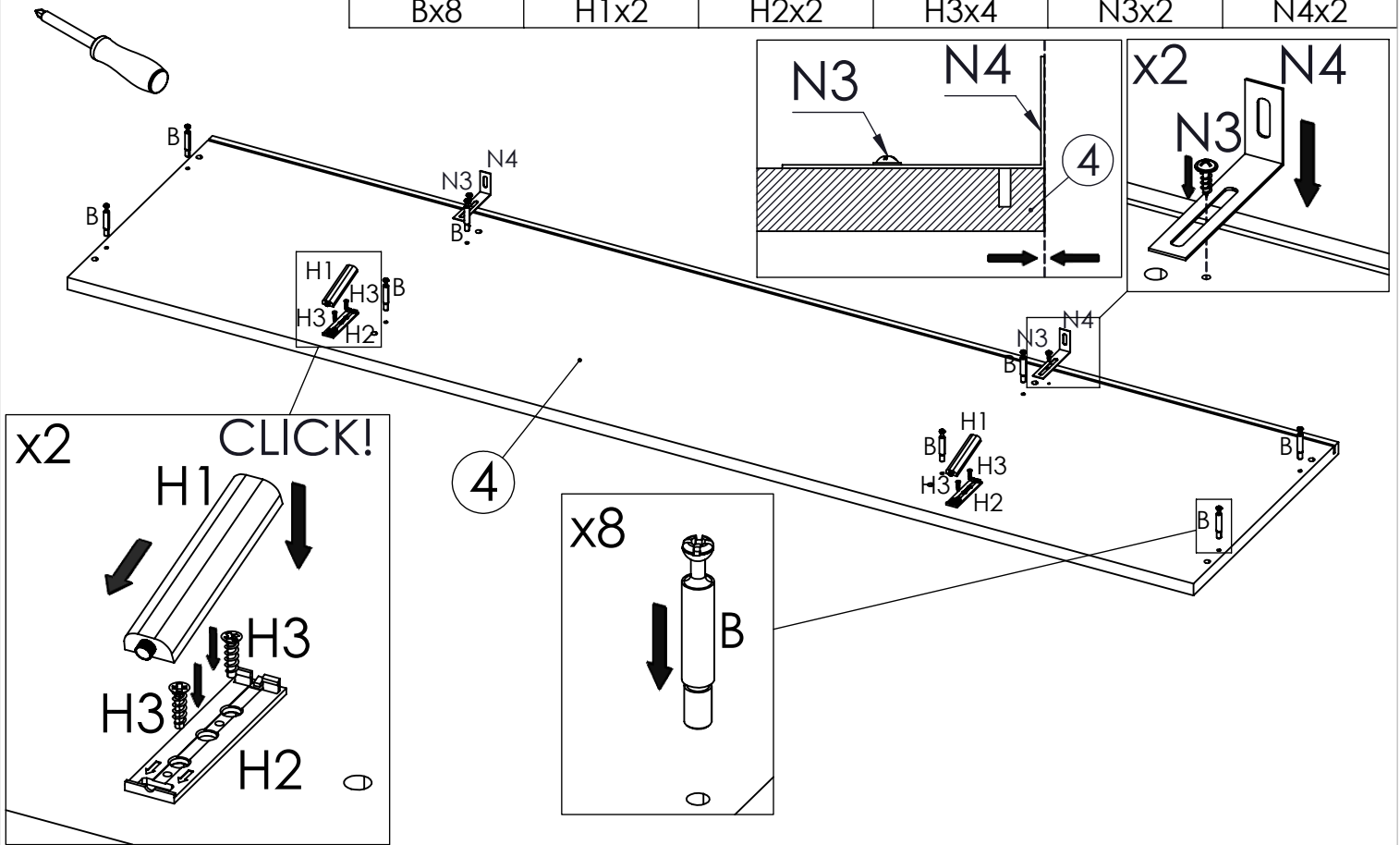


L

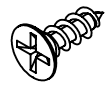

Variant 3

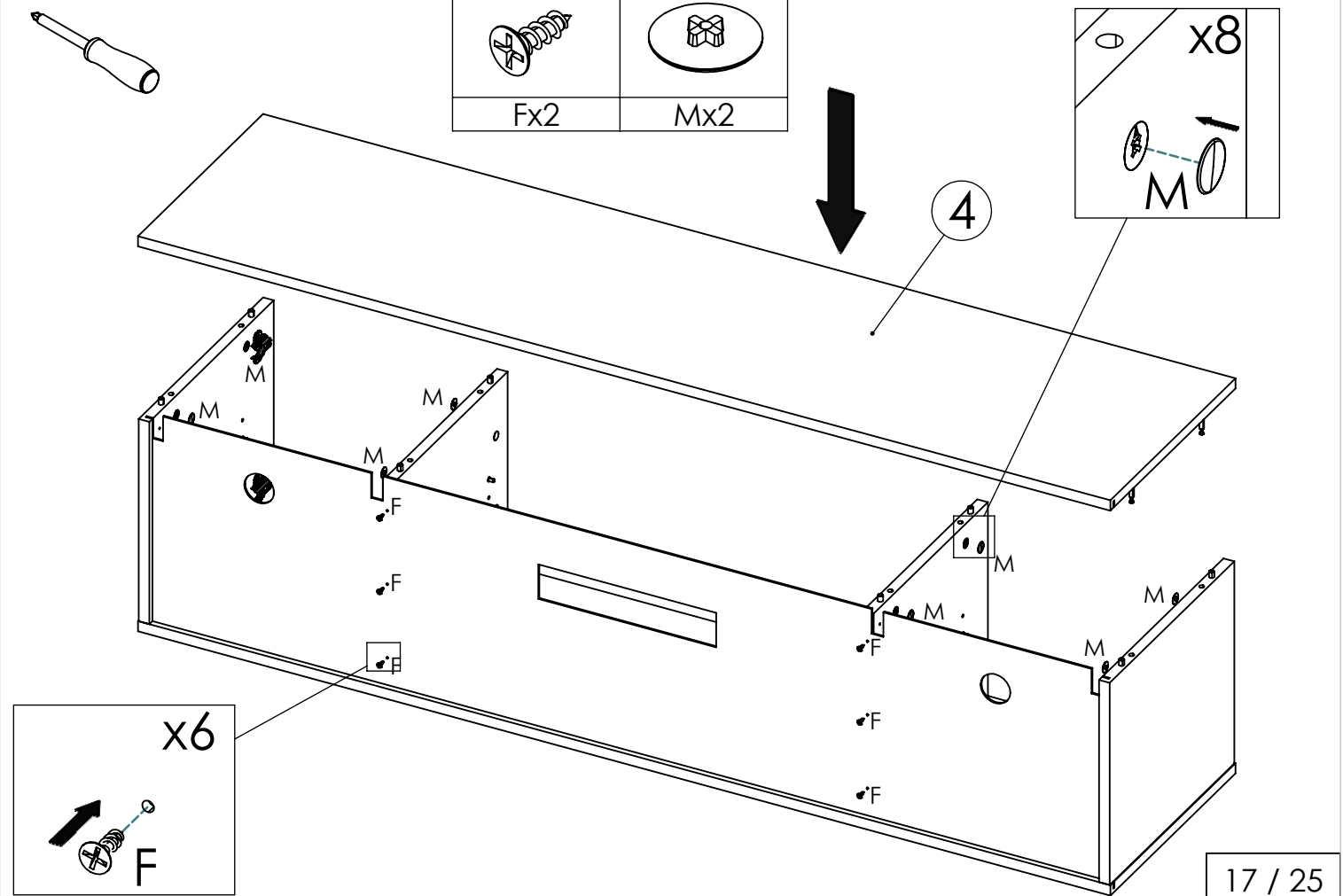
STEP - 5

					
Bx8	H1x2	H2x2	H3x4	N3x2	N4x2



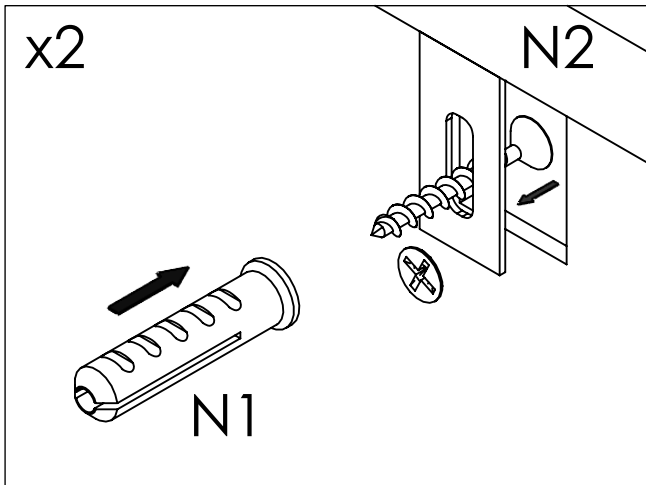
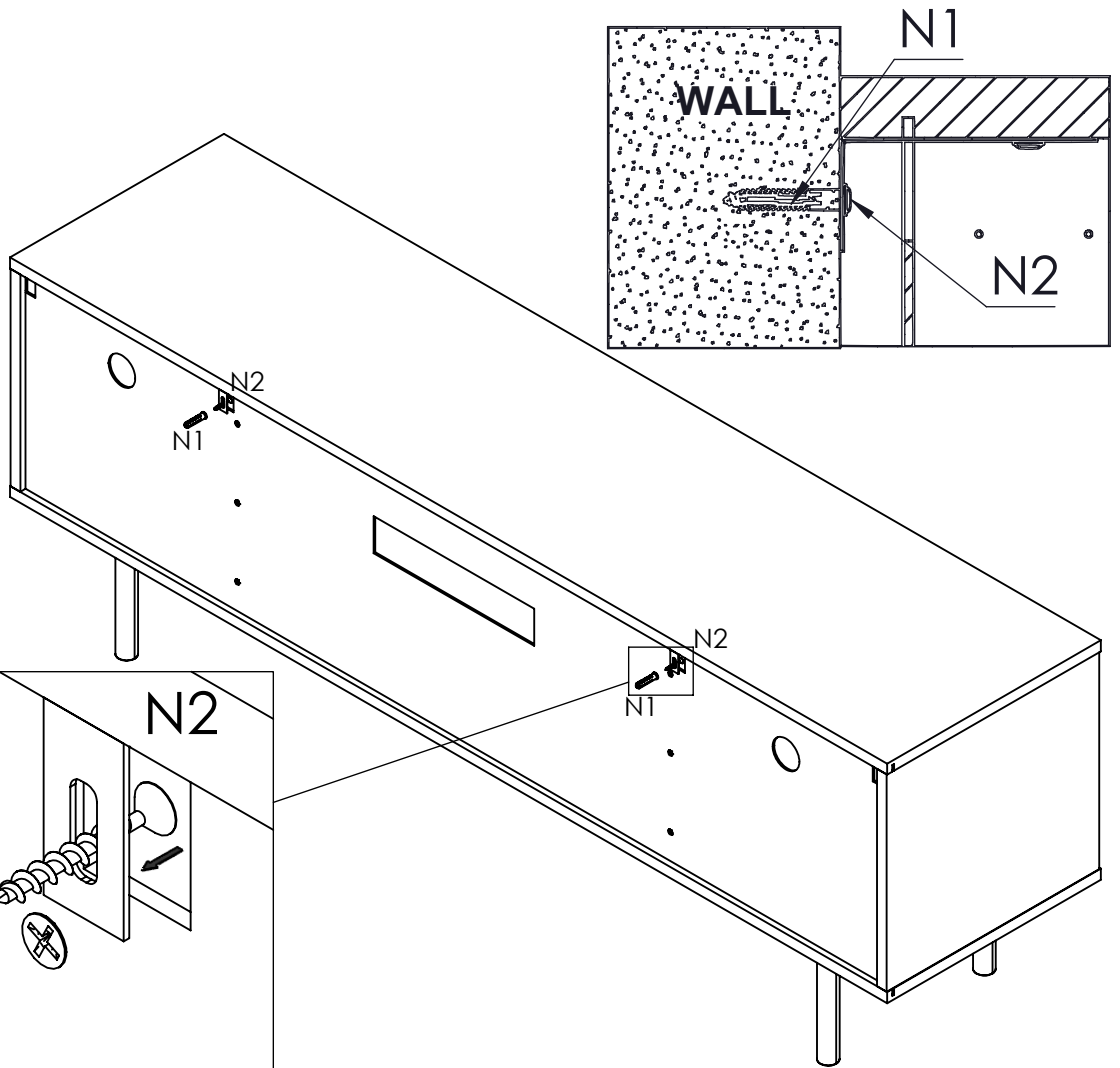
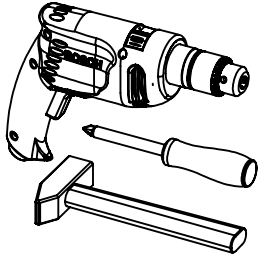
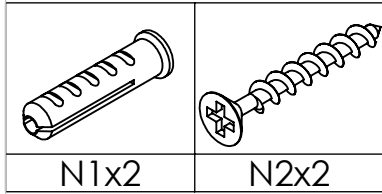
STEP - 6

	
2.5x16	Mx2
Fx2	Mx2




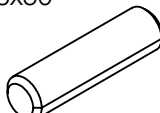
Variant 3

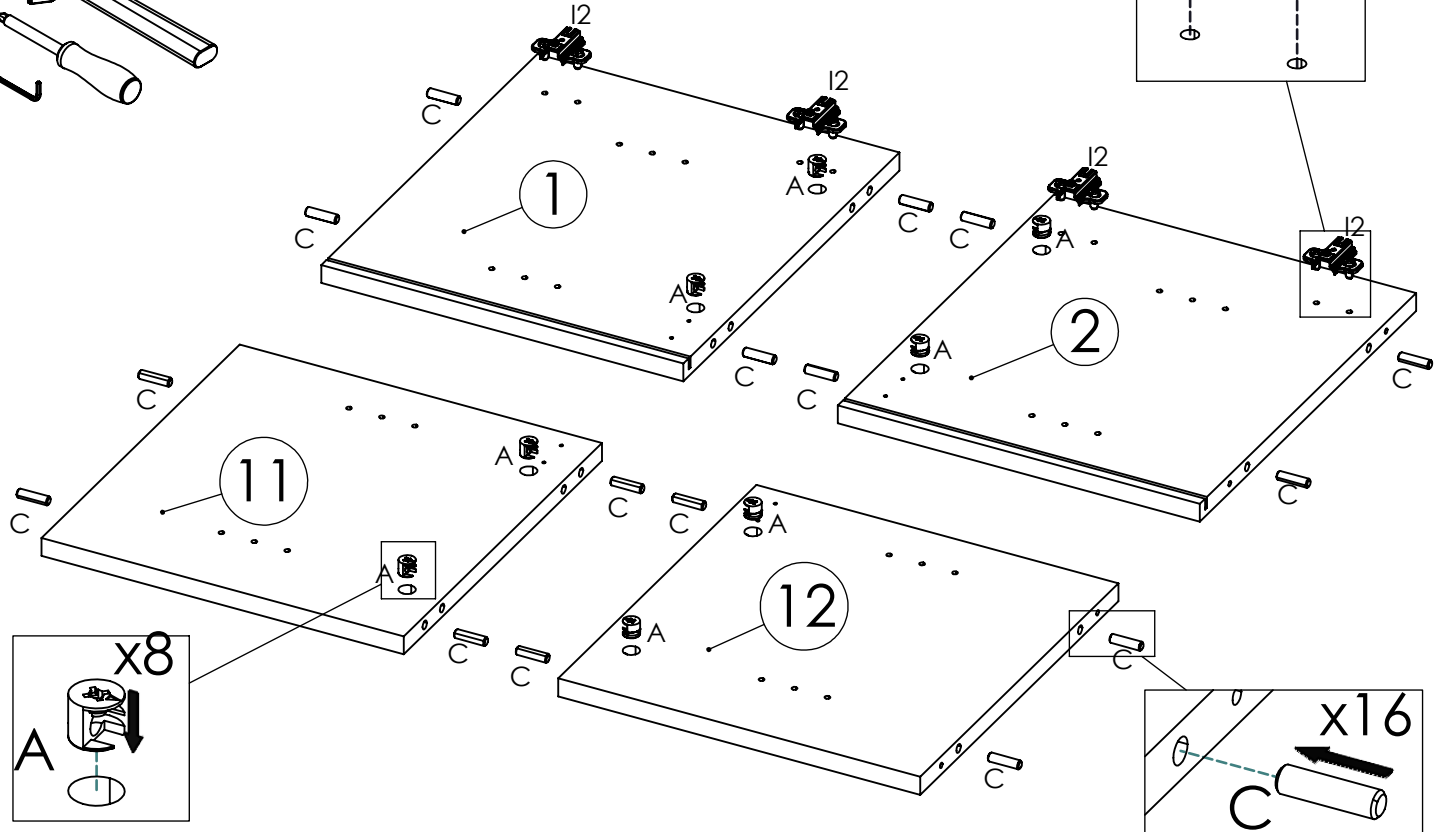
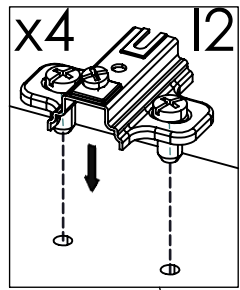
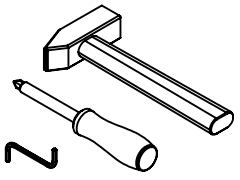
STEP - 9



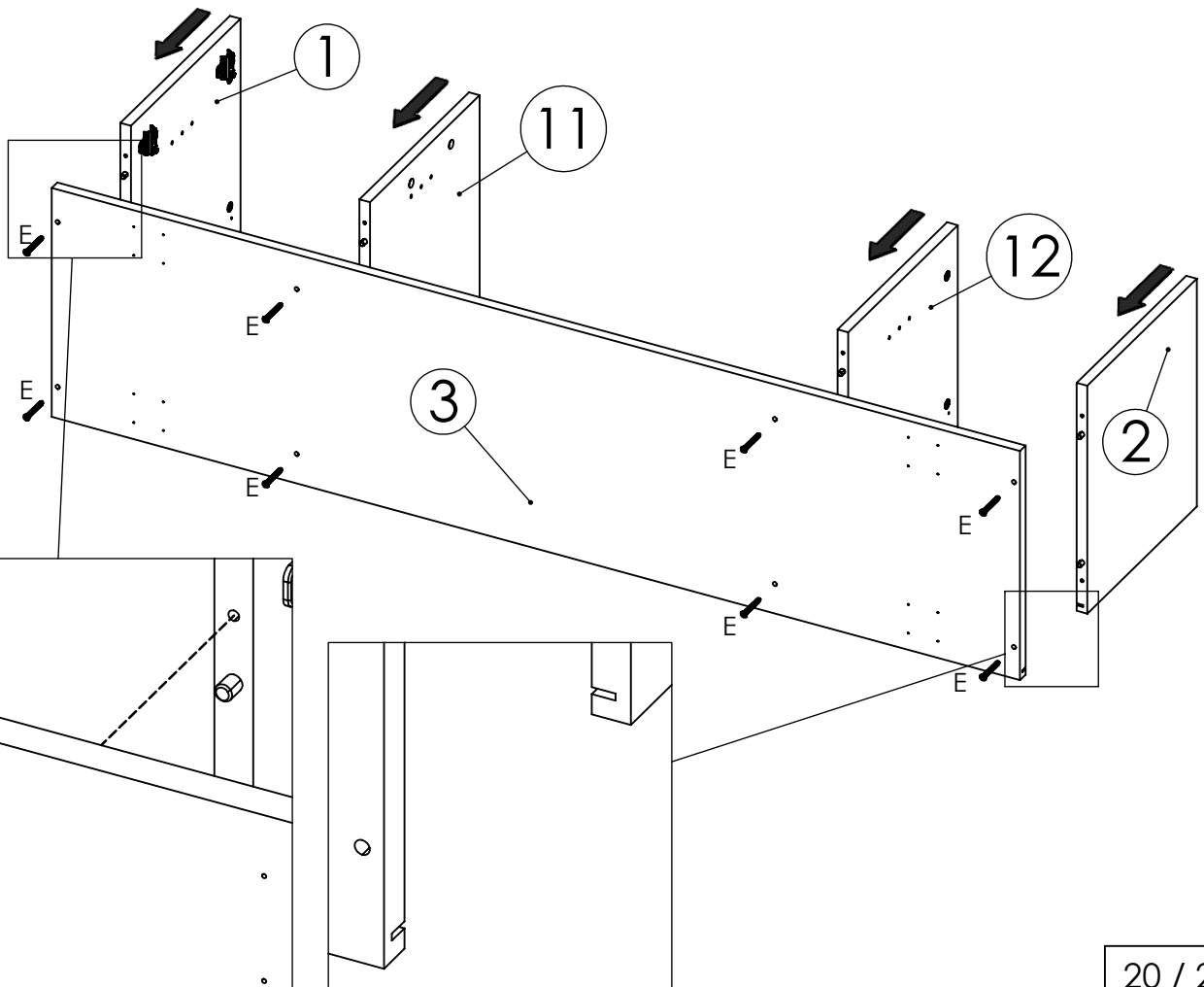
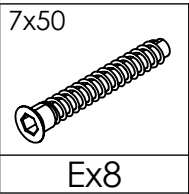
Variant 4

STEP - 1

	8x30	
Ax8	Cx16	I2x2

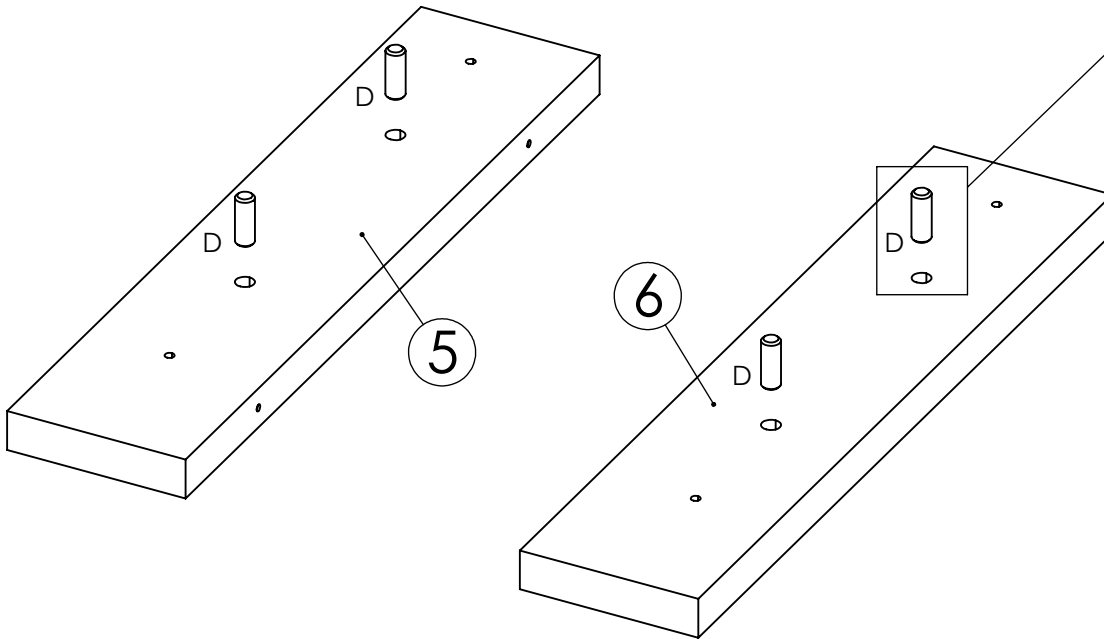
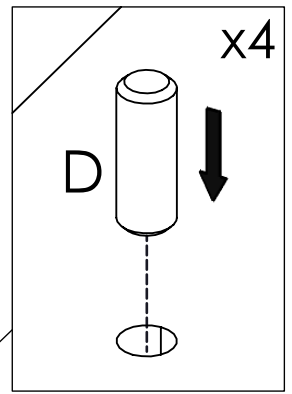
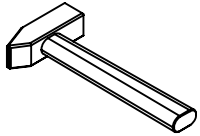
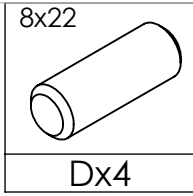


STEP - 2

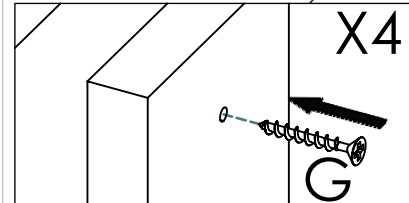
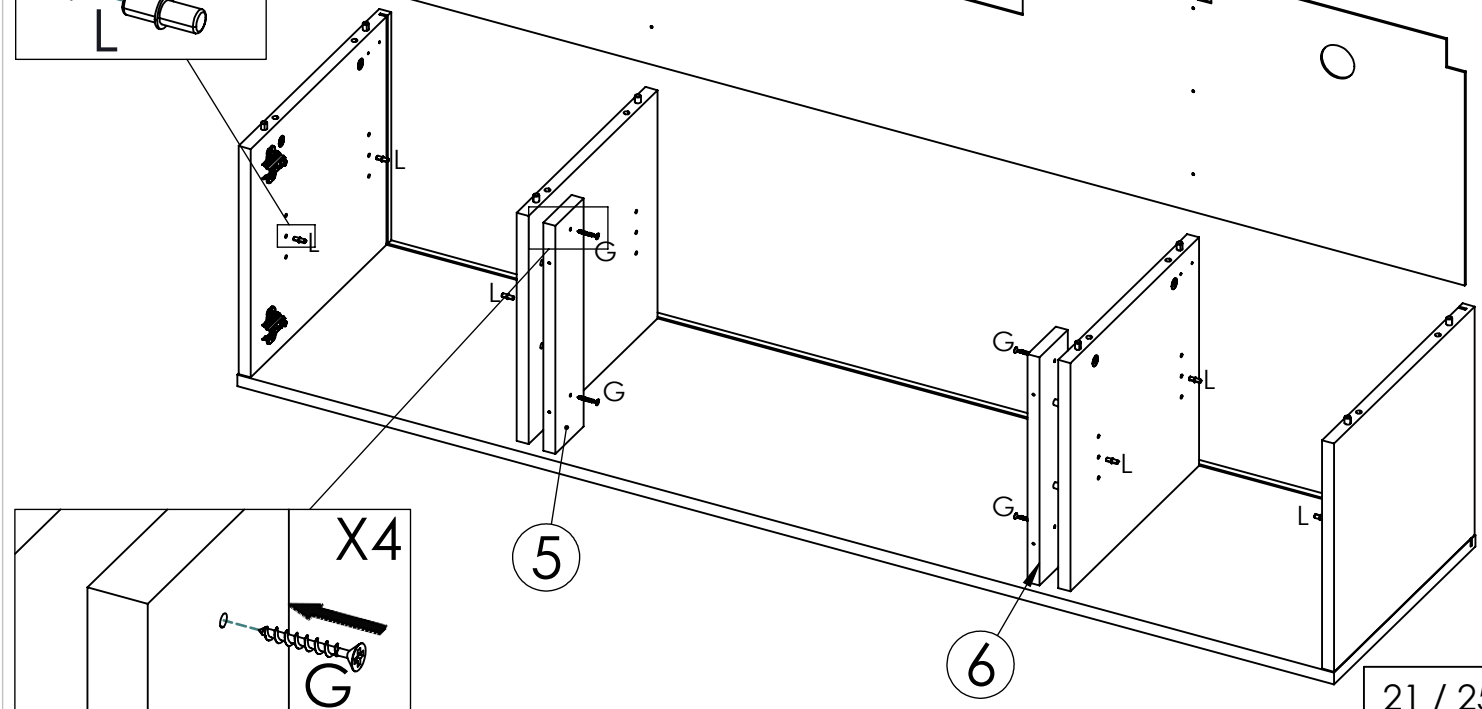
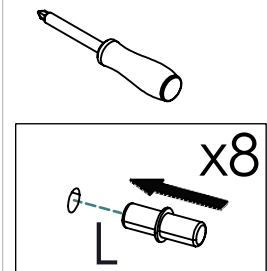
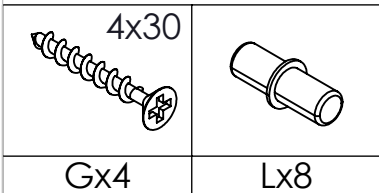


Variant 4

STEP - 3

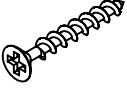
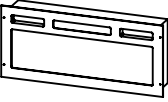
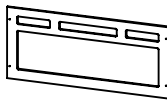


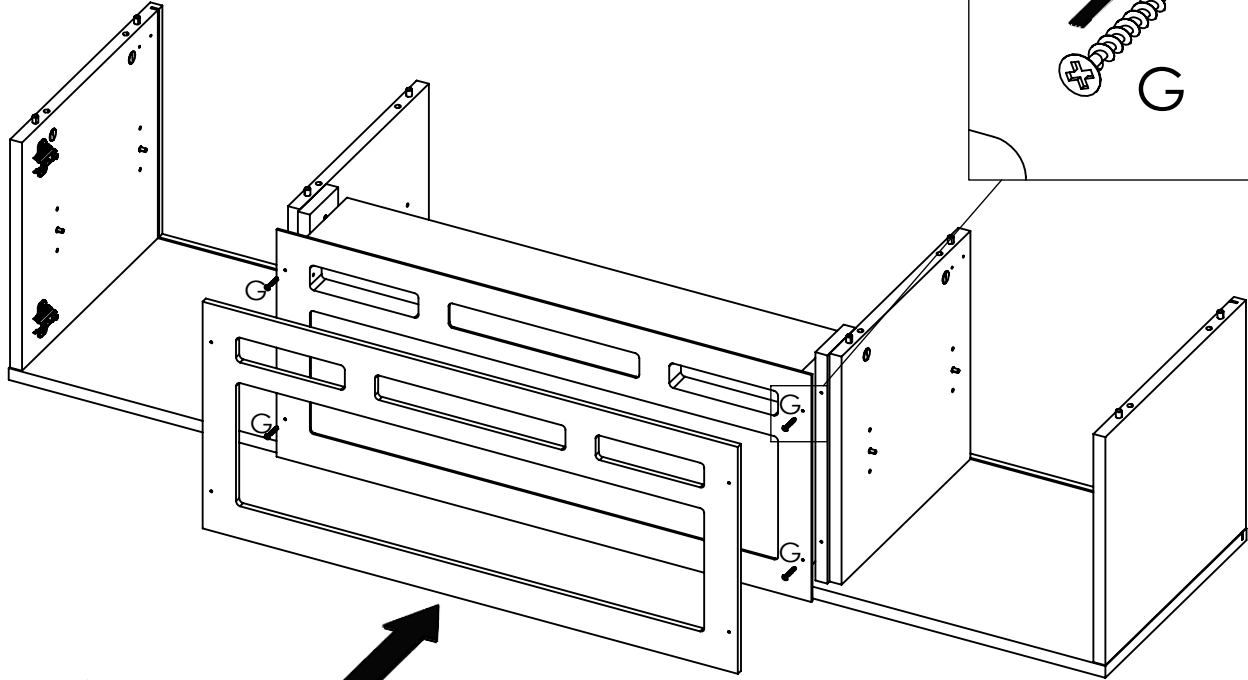
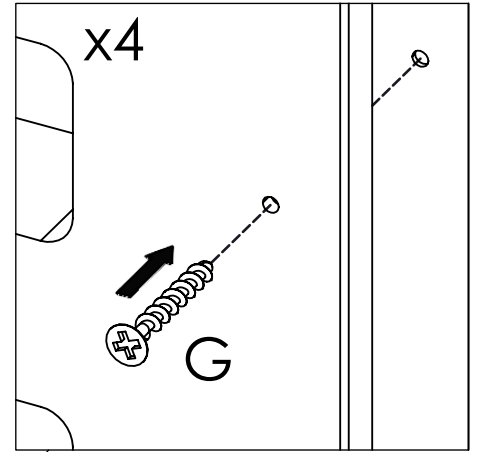
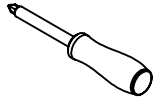
STEP - 4



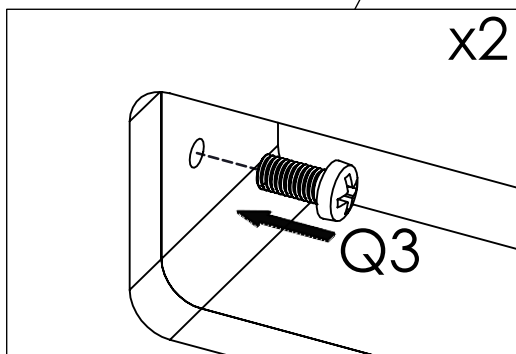
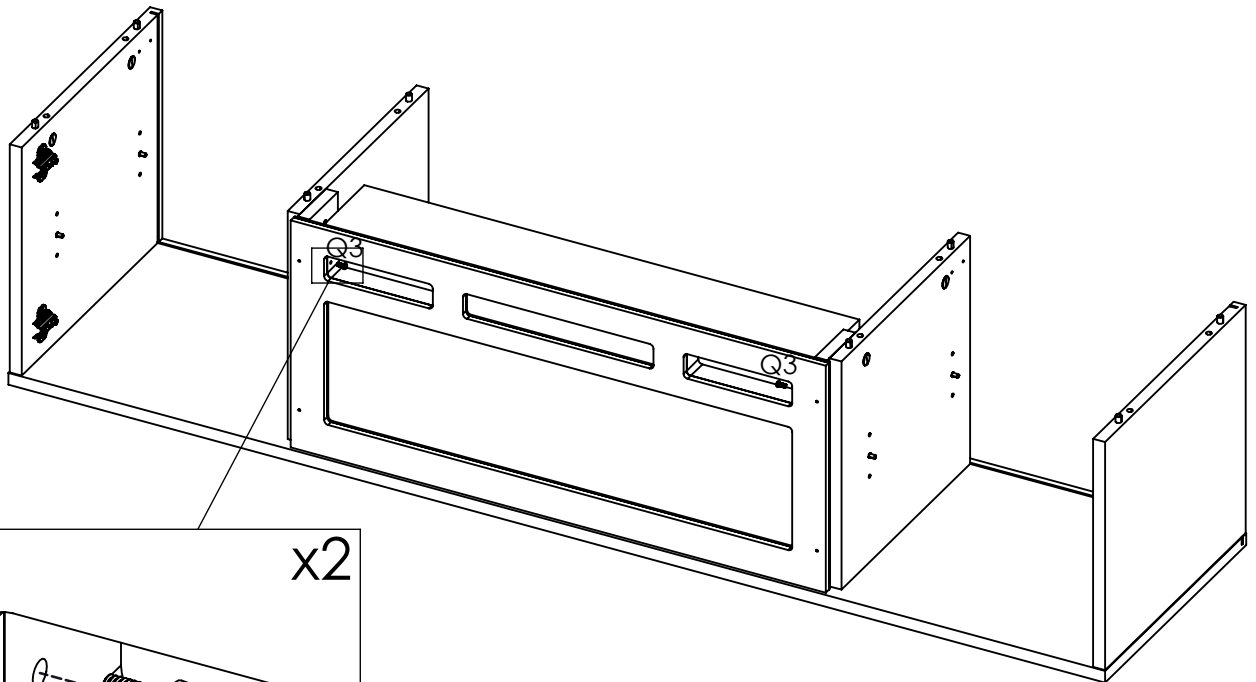
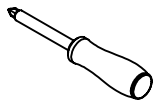
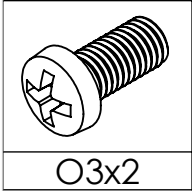
Variant 4

STEP - 5

4x30			
	Gx4	Q1	Q2

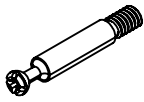
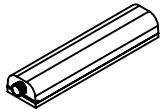
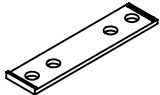
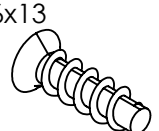
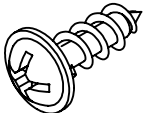
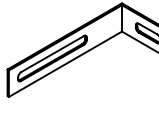


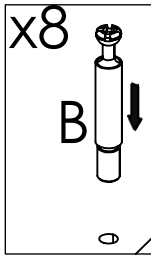
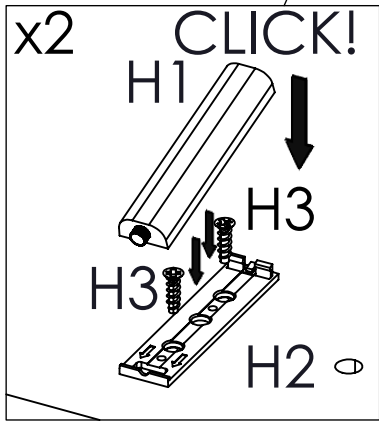
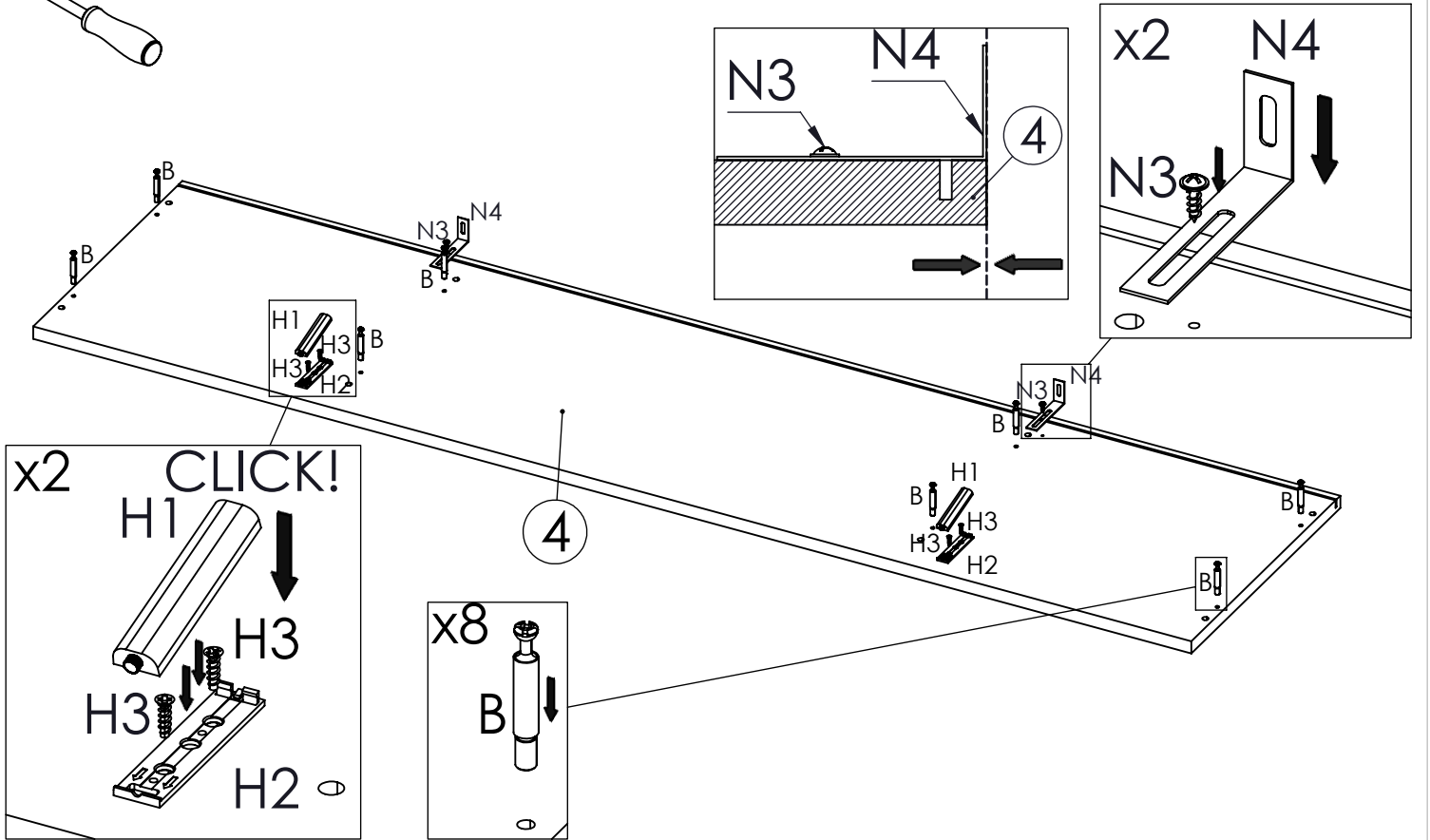
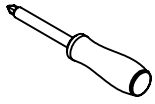
STEP - 6



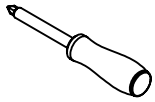
Variant 4

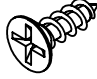

STEP - 7

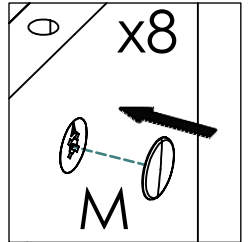
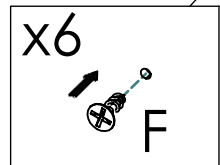
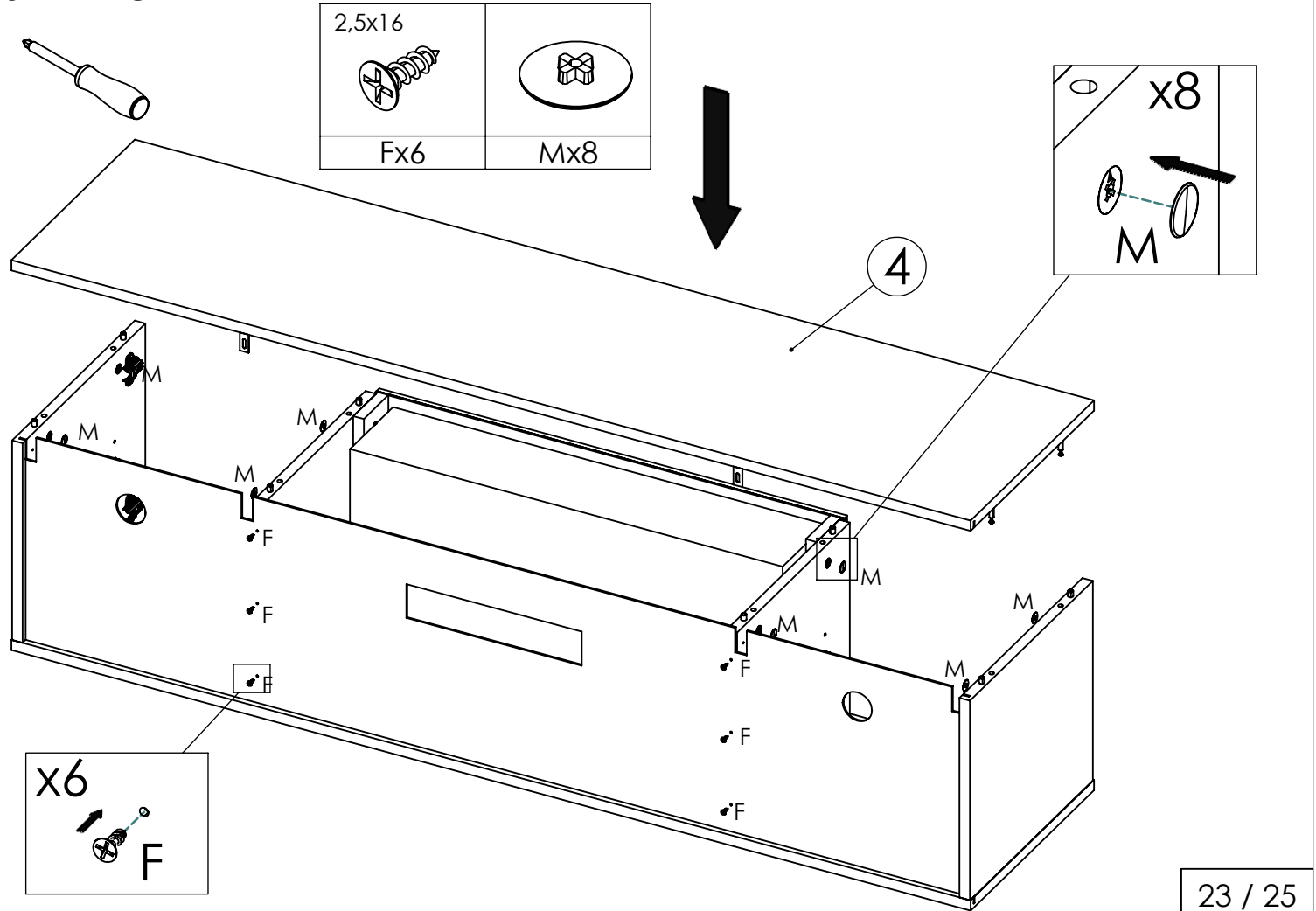
					
Bx8	H1x2	H2x2	H3x4	N3x2	N4x2



STEP - 8

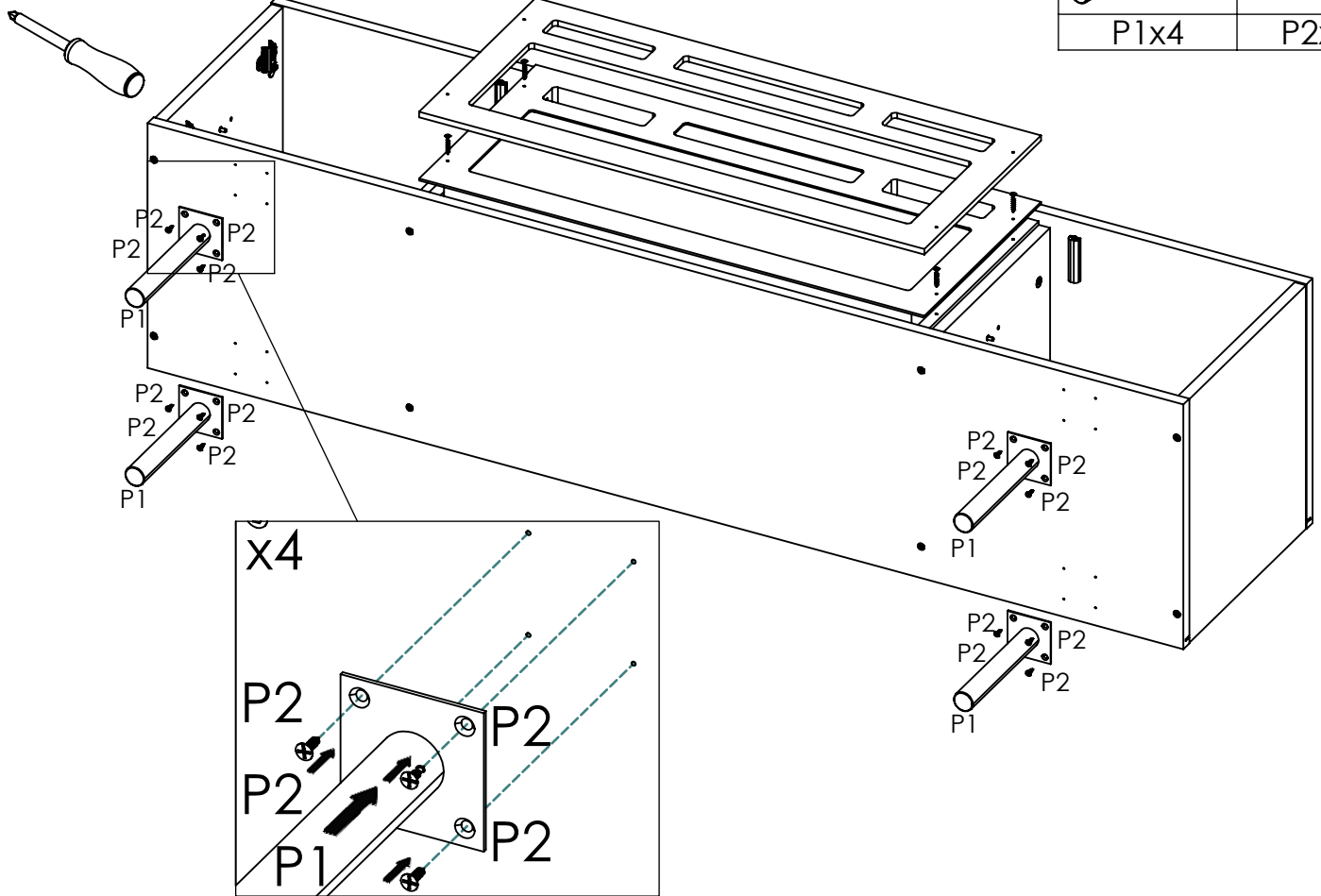


	
Fx6	Mx8

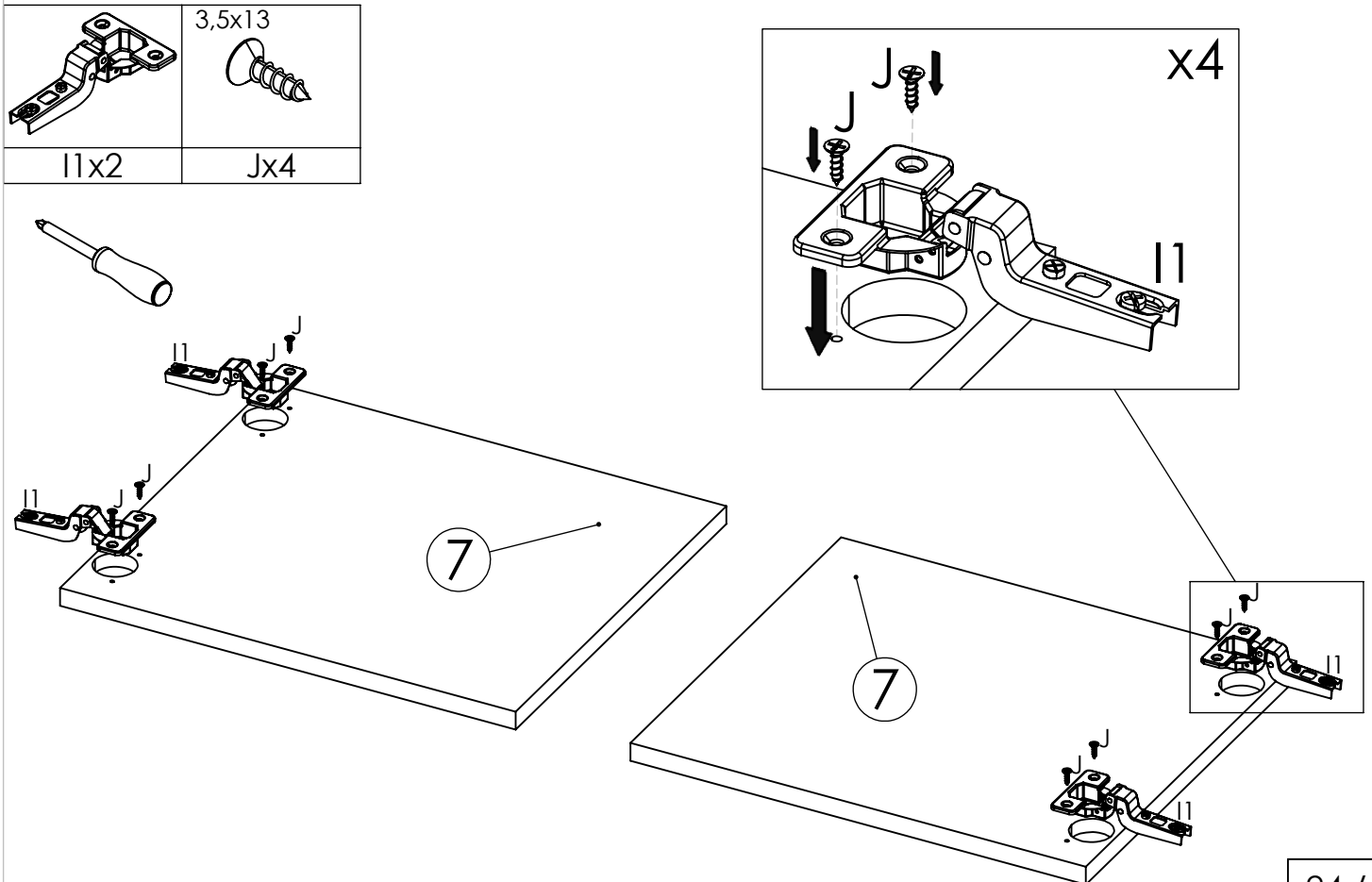


Variant 4

STEP - 9

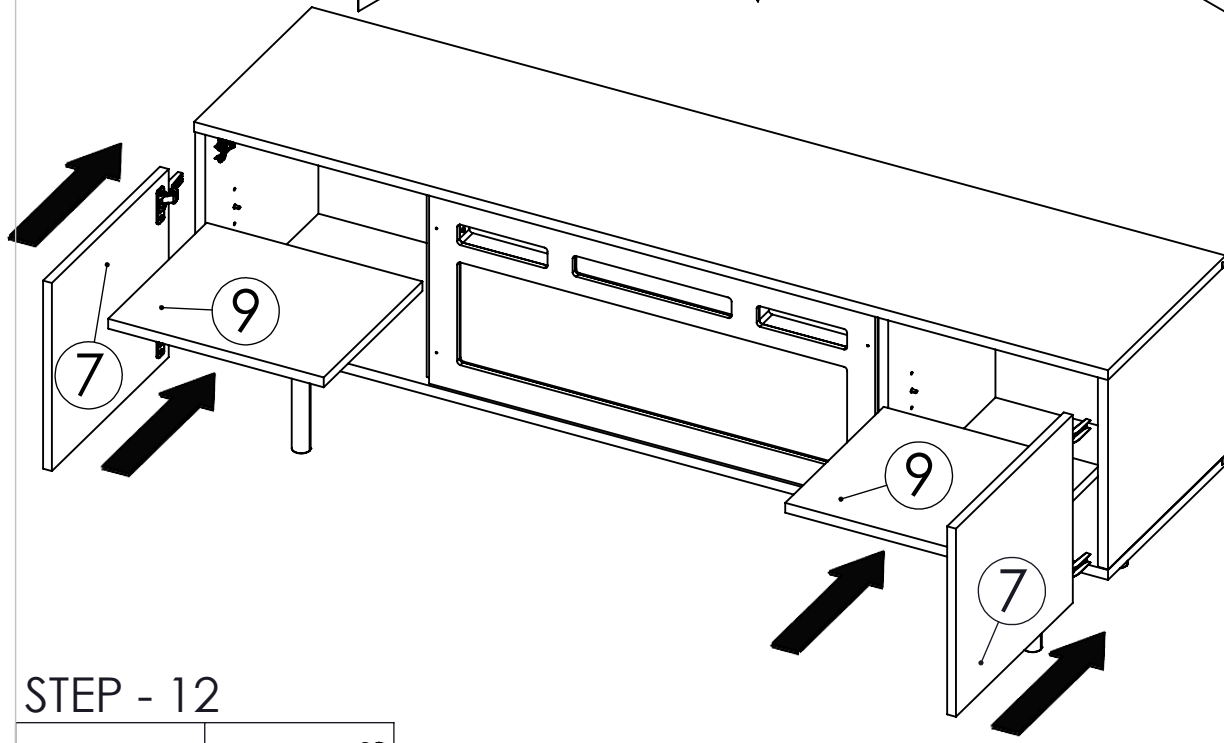
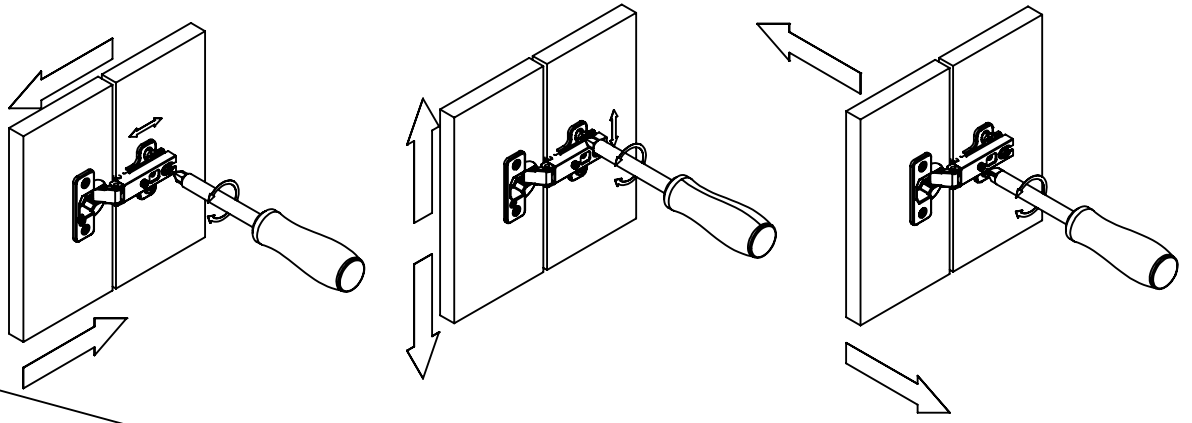
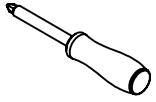


STEP - 10



Variant 4

STEP - 11



STEP - 12

