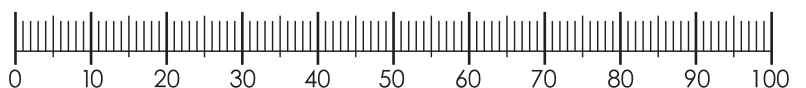
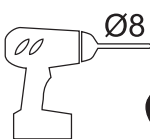
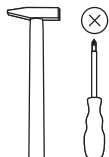
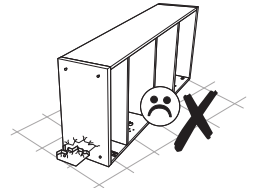
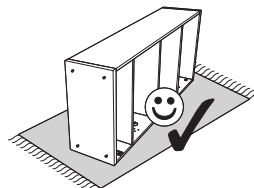
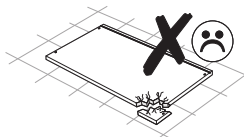
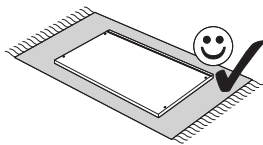
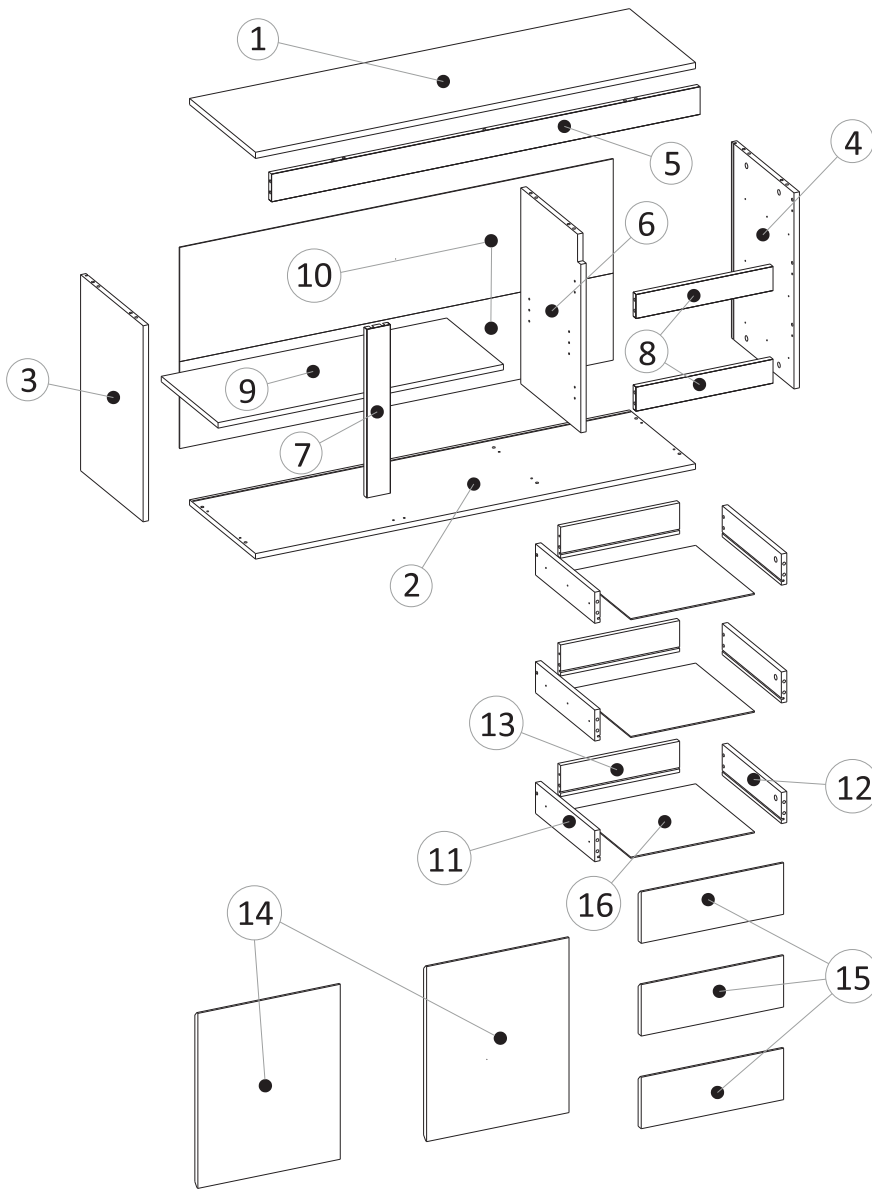


180 min.

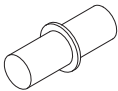
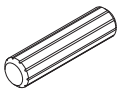
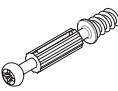

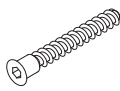
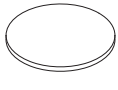
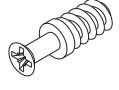
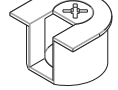



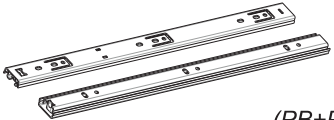



ZLAD SIDEBOARD

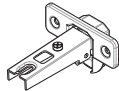




I.	L.	W.	QTY.
1	1301	390	1
2	1301	390	1
3	568	370	1
4	568	370	1
5	1267	80	1
6	568	355	1
7	488	70	1
8	405	70	2
9	844	335	1
10	1282	583	1
11	350	90	3
12	350	90	3
13	352	90	3
14	507	421	2
15	421	149	3
16	366	348	3

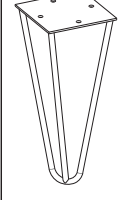
BAG 1

PP x4	K x32	T x27	M x27	KN x6
				
Z x33	RT x4	RP x4	SP x10	W2 x10
				 3x18
W1 x60	P x3		Q x1	
 4x16	 (PB+PS)			

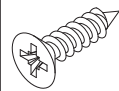
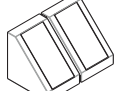

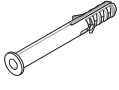
BAG 2

ZR x4

ZP x4

WE x8
 6,3x13

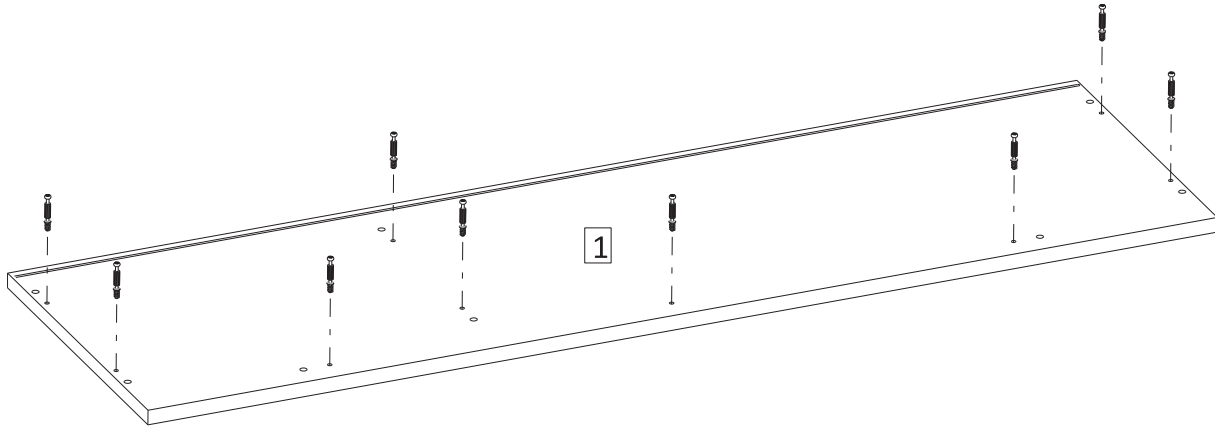
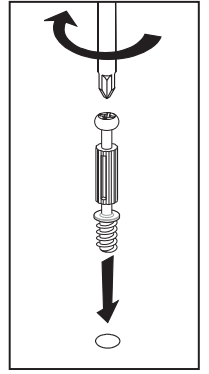
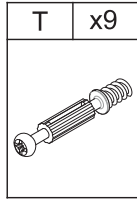
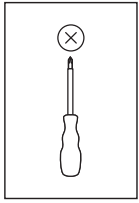
BAG 3

N x4


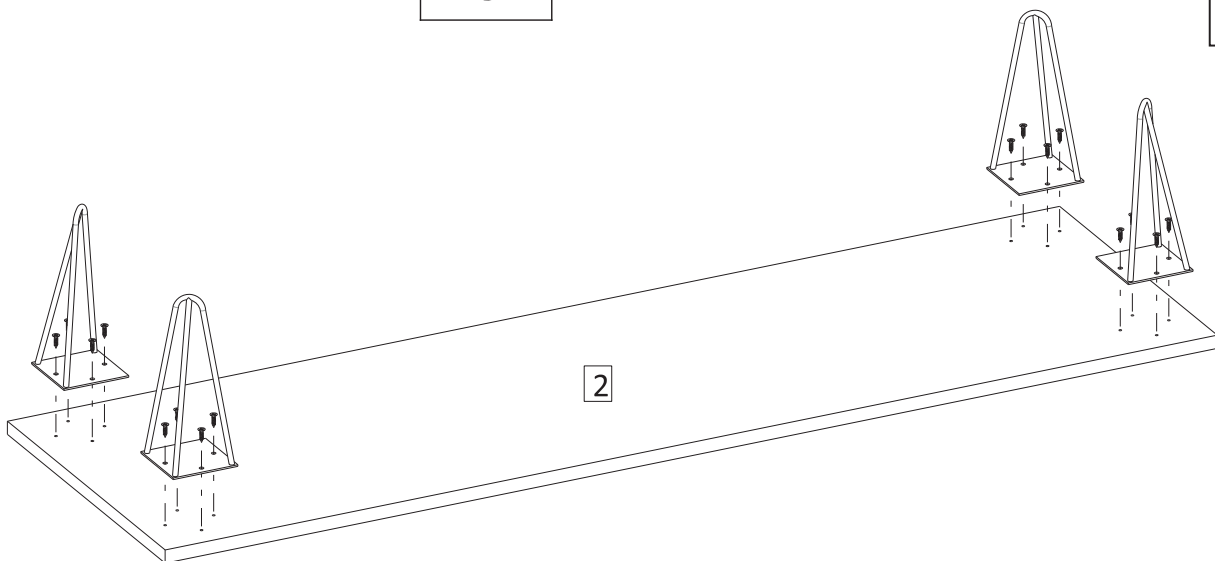
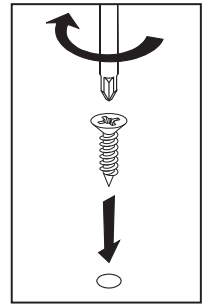
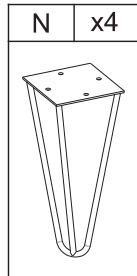
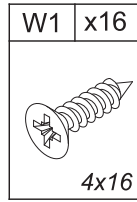
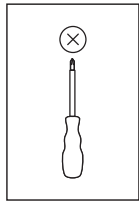
BAG 4

W1 x2	LK x1
 4x16	
W3 x1	KR x1
 4x70	

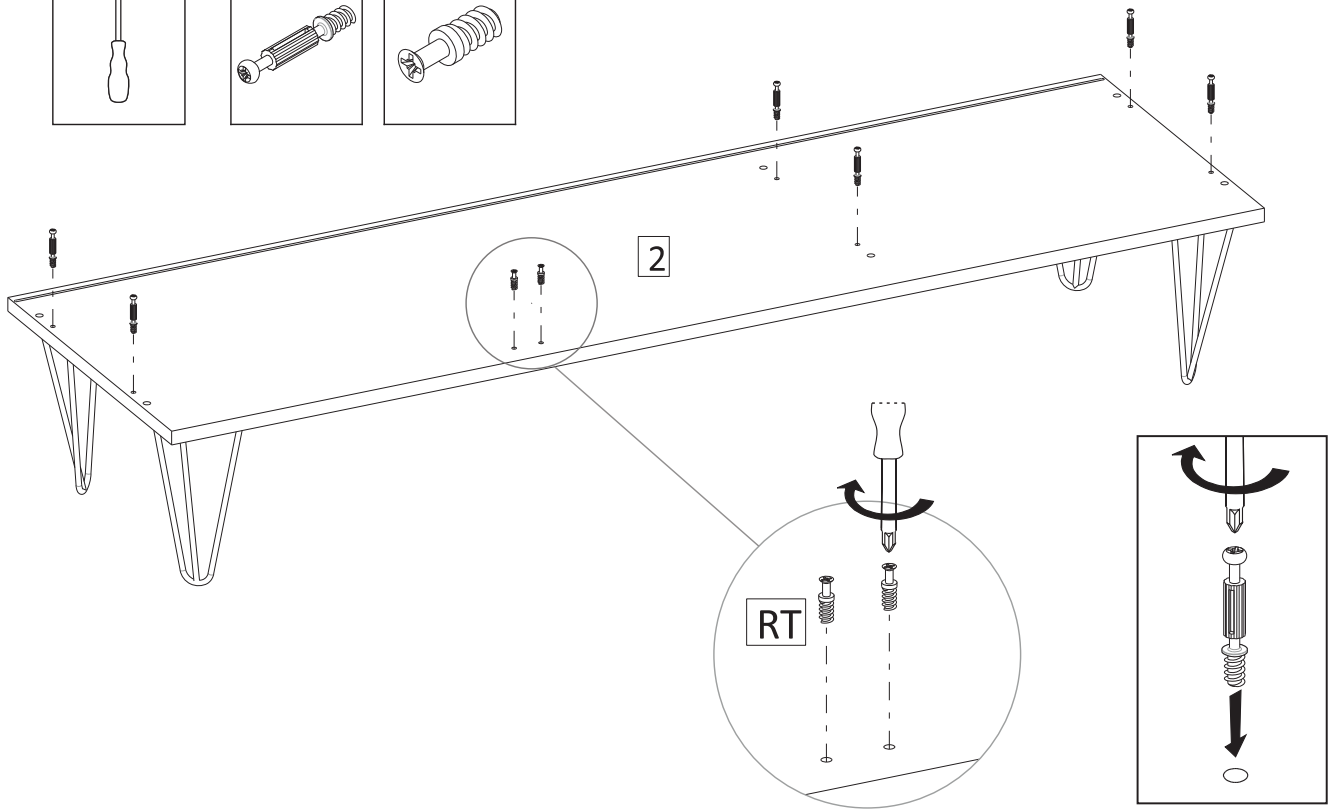
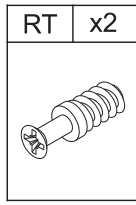
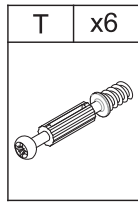
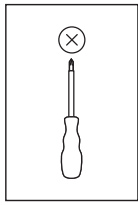
1



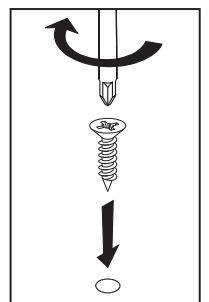
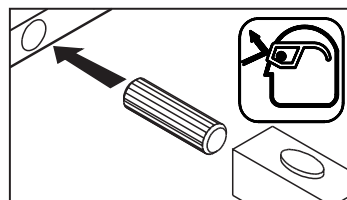
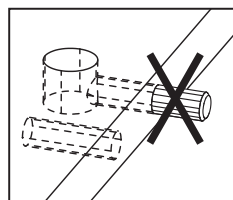
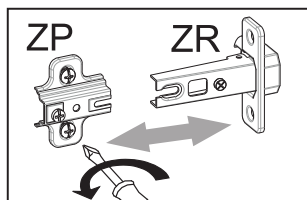
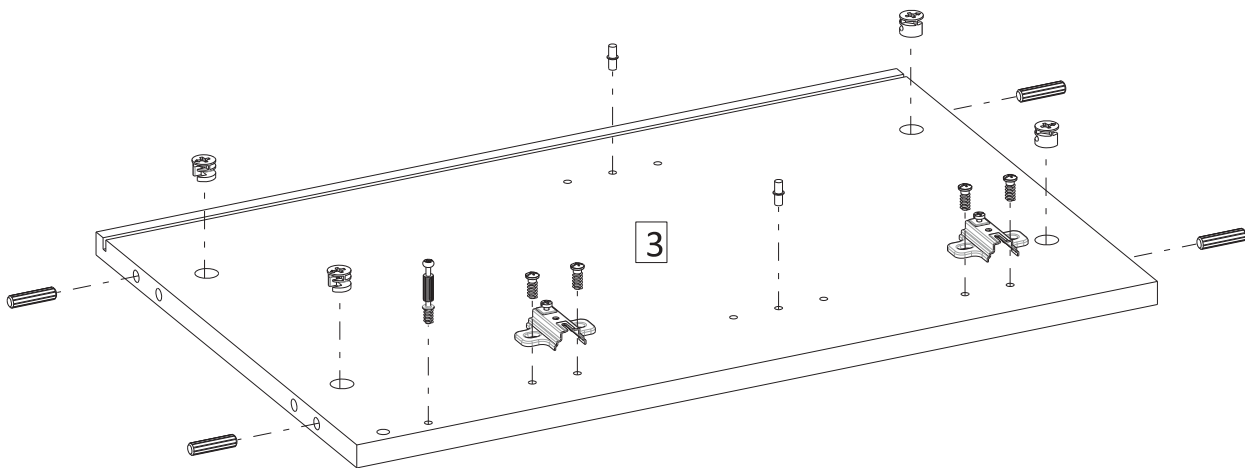
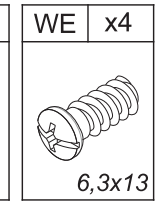
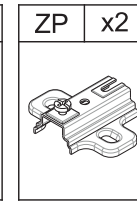
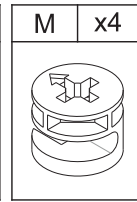
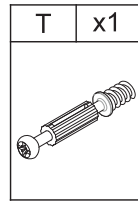
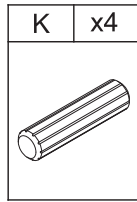
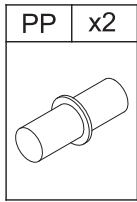
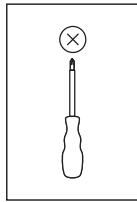
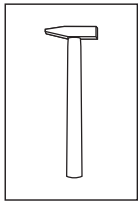
2



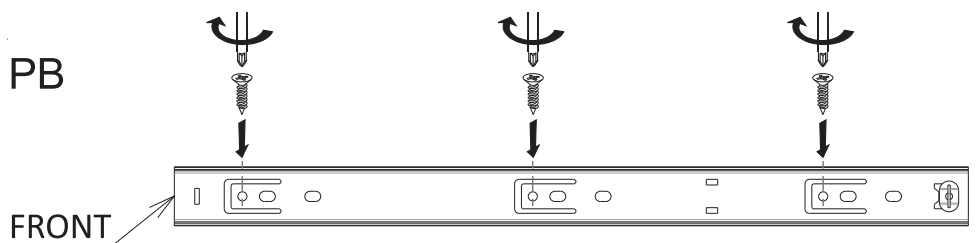
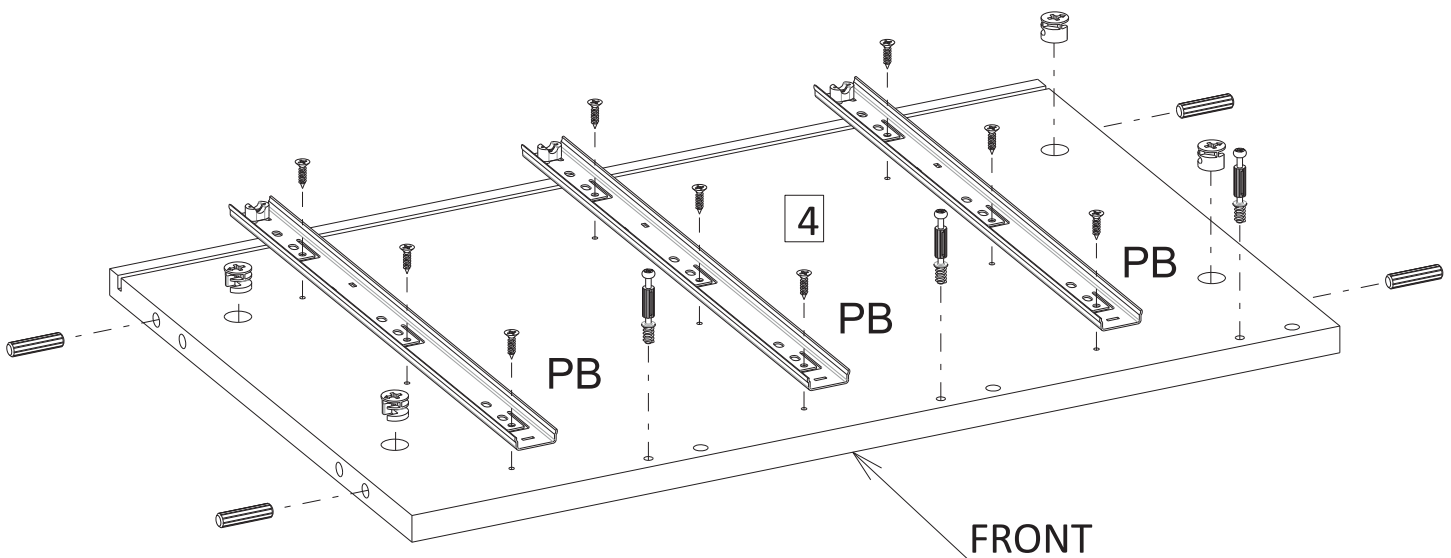
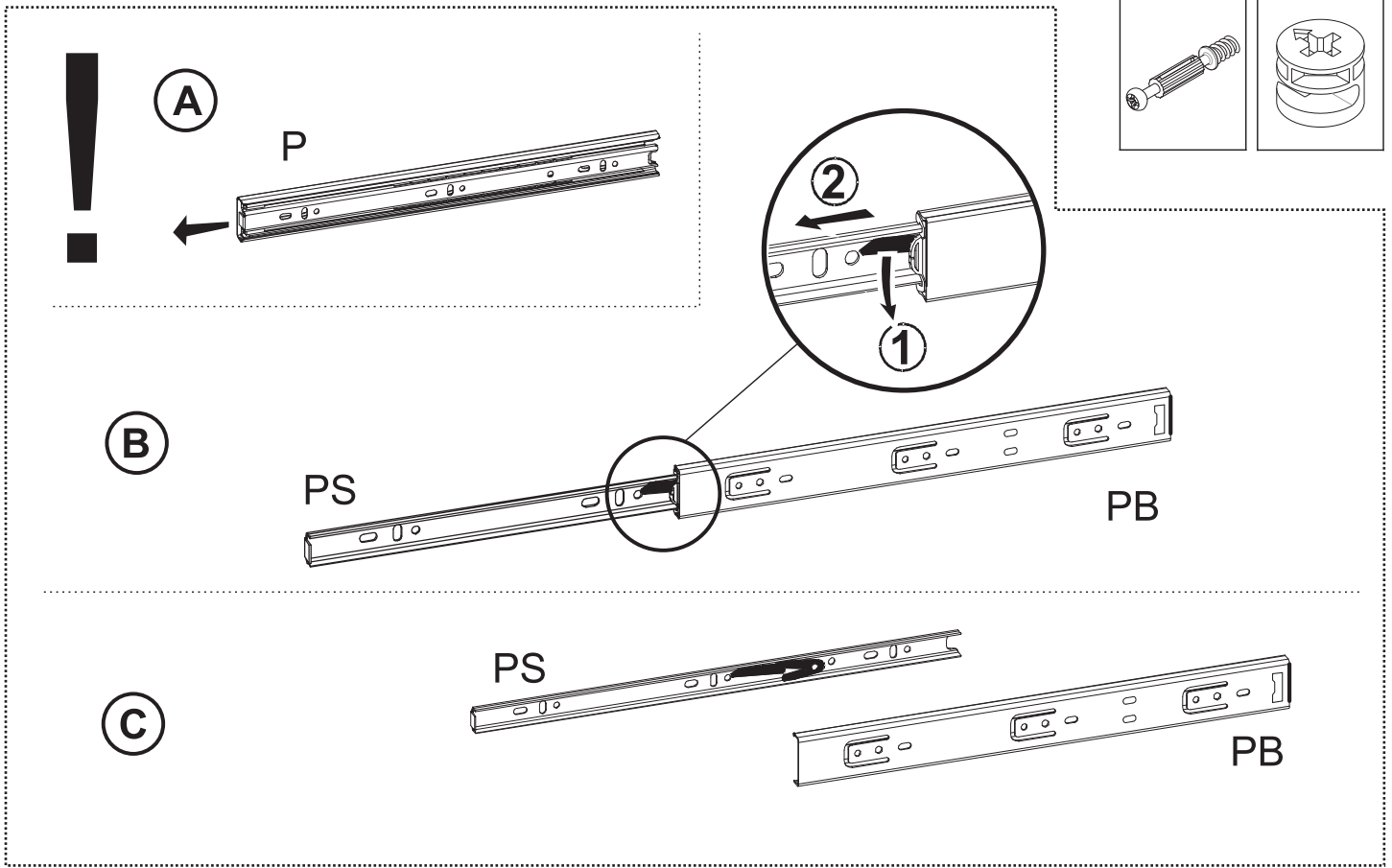
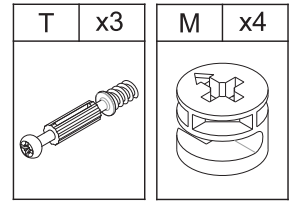
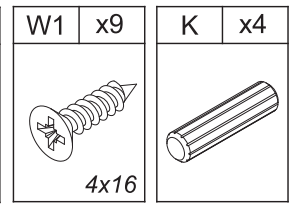
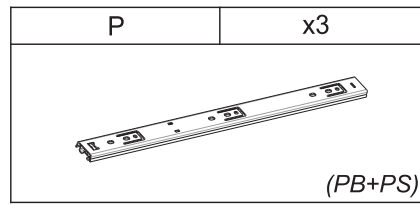
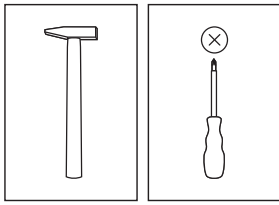
3



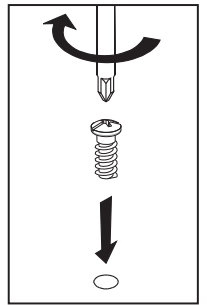
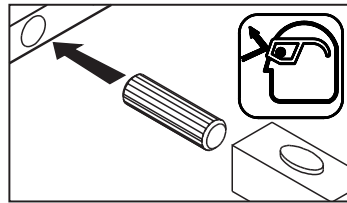
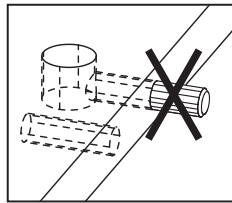
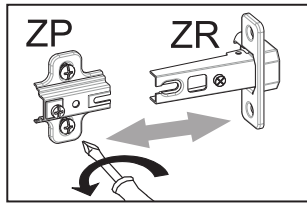
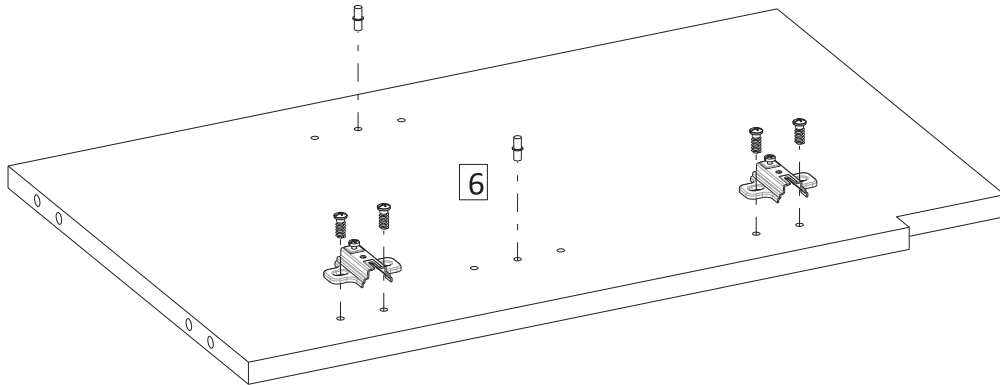
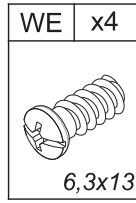
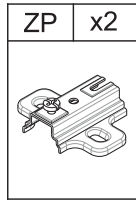
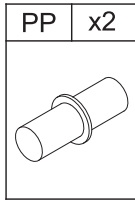
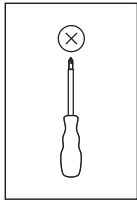
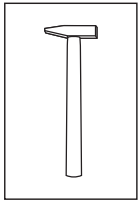
4



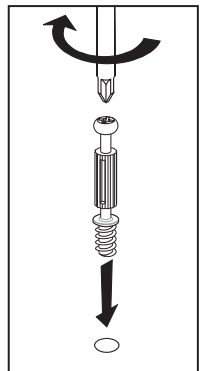
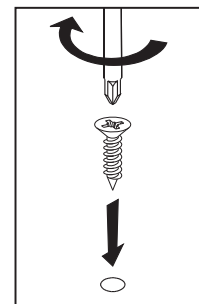
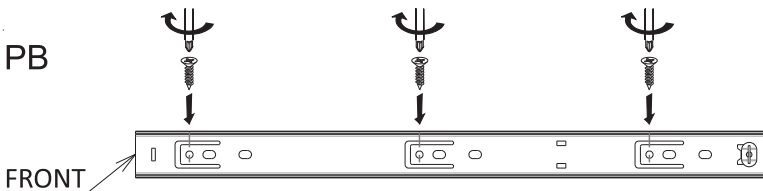
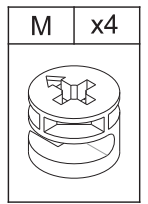
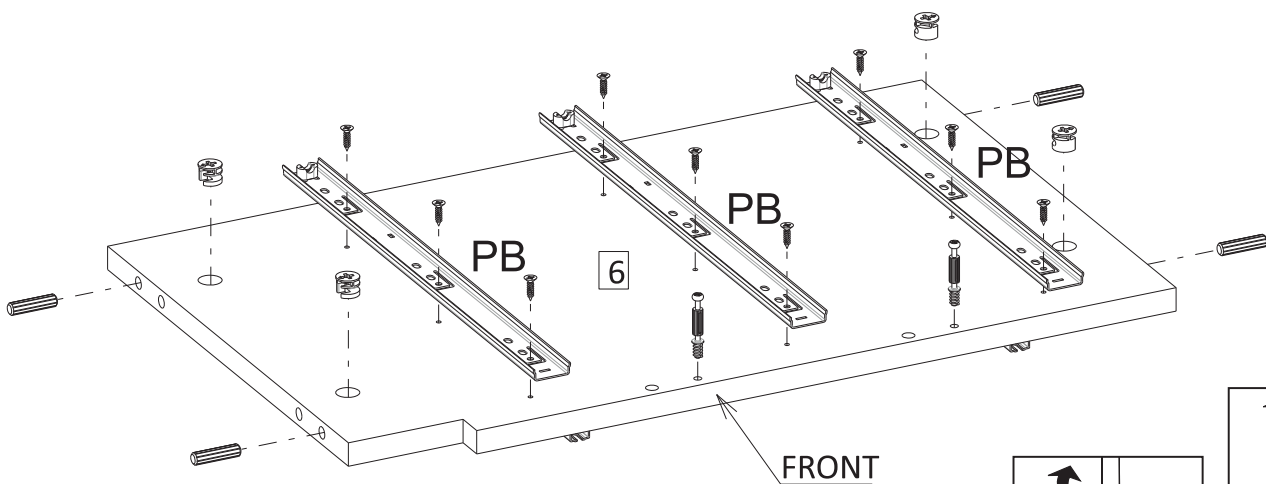
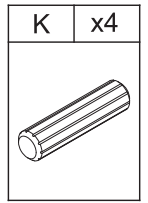
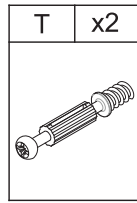
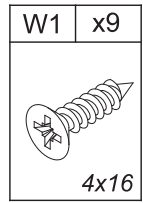
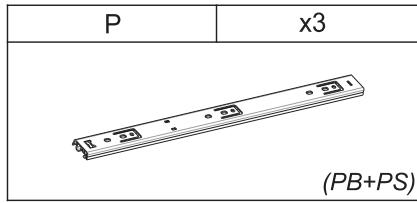
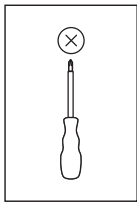
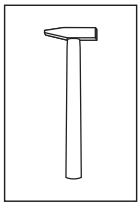
5



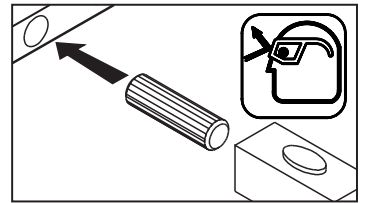
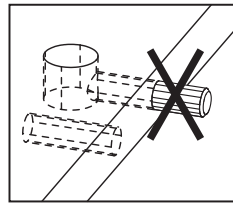
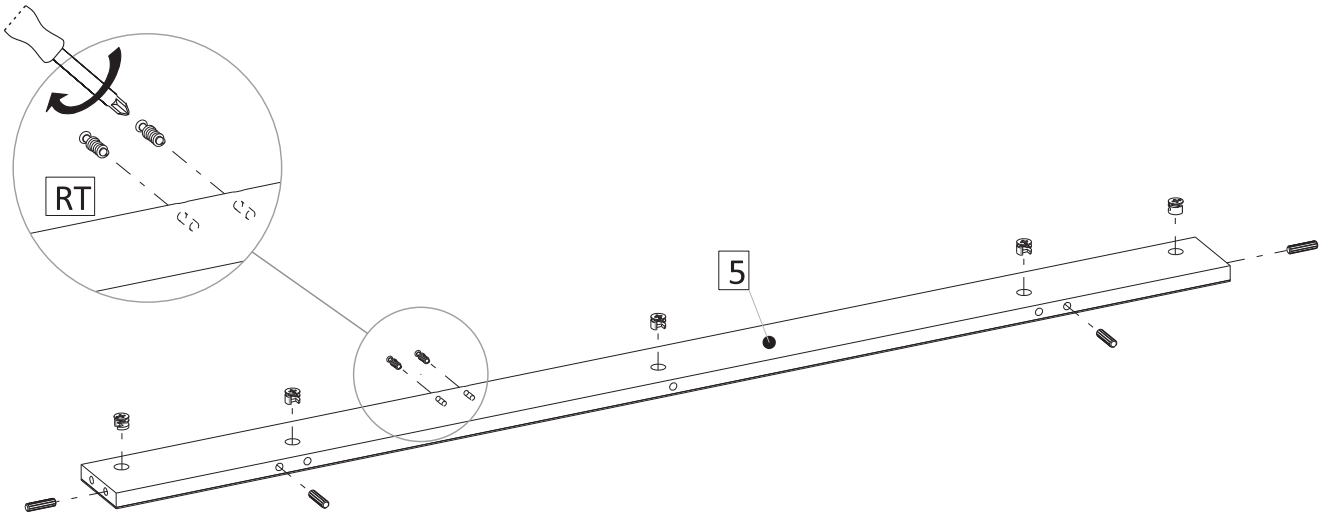
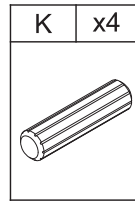
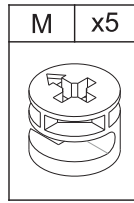
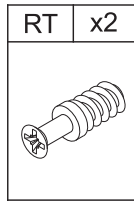
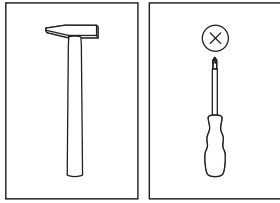
6



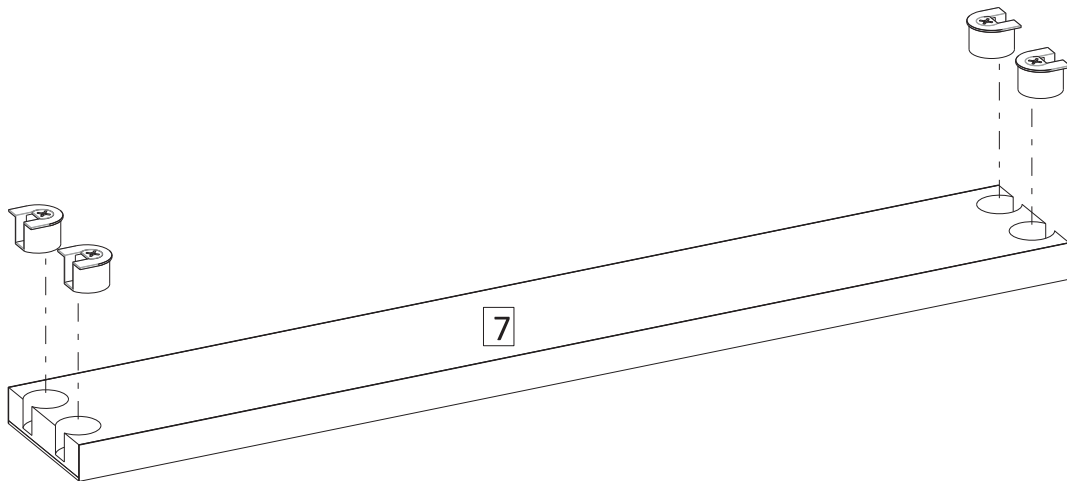
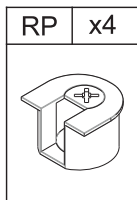
7



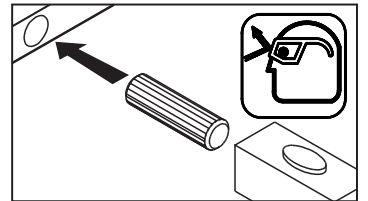
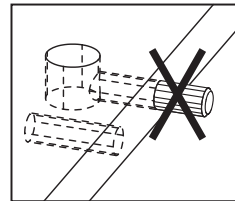
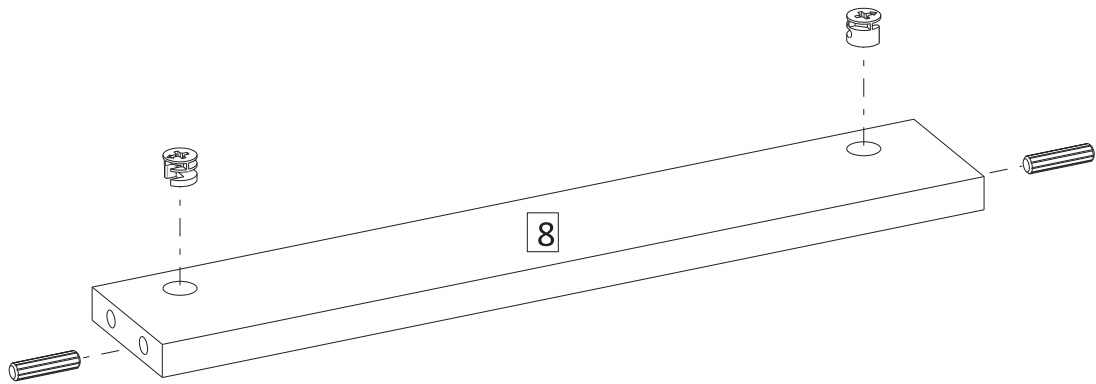
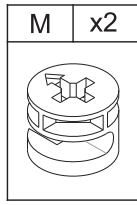
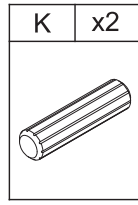
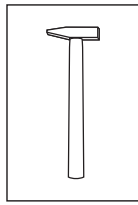
8



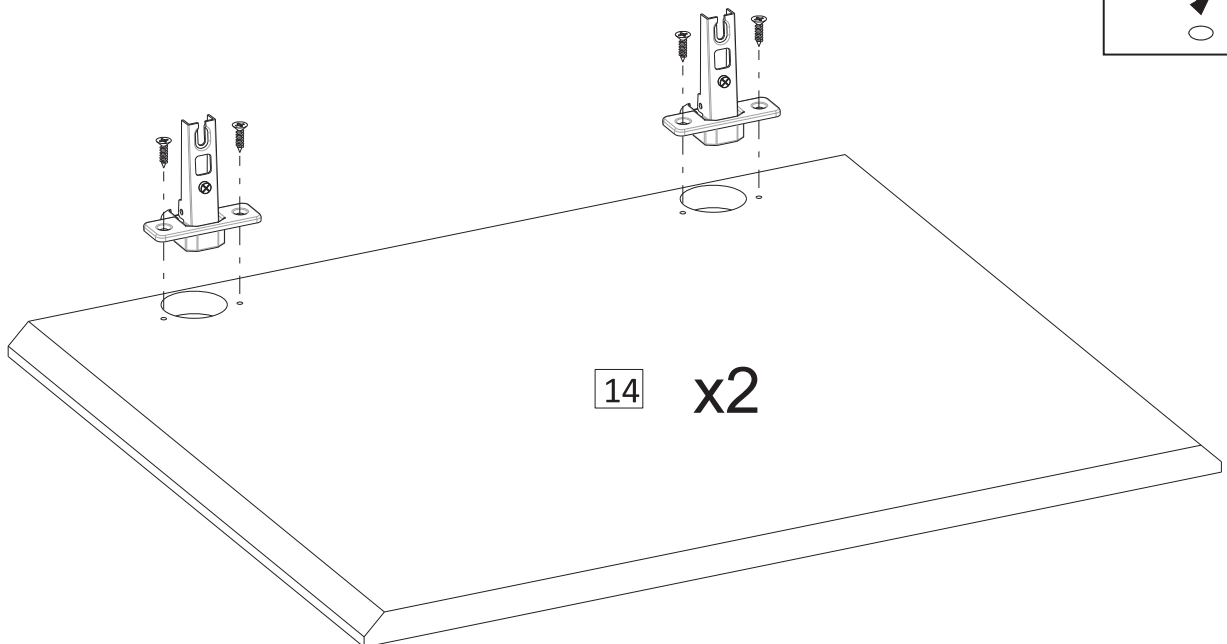
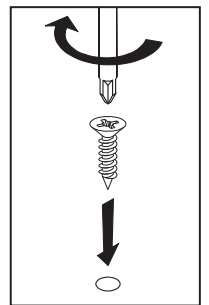
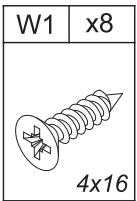
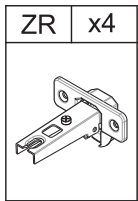
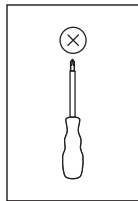
9



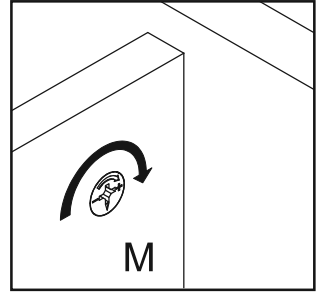
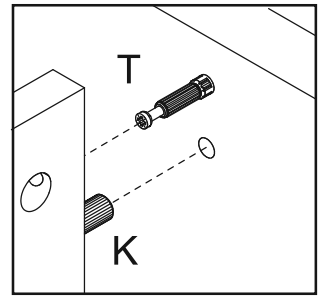
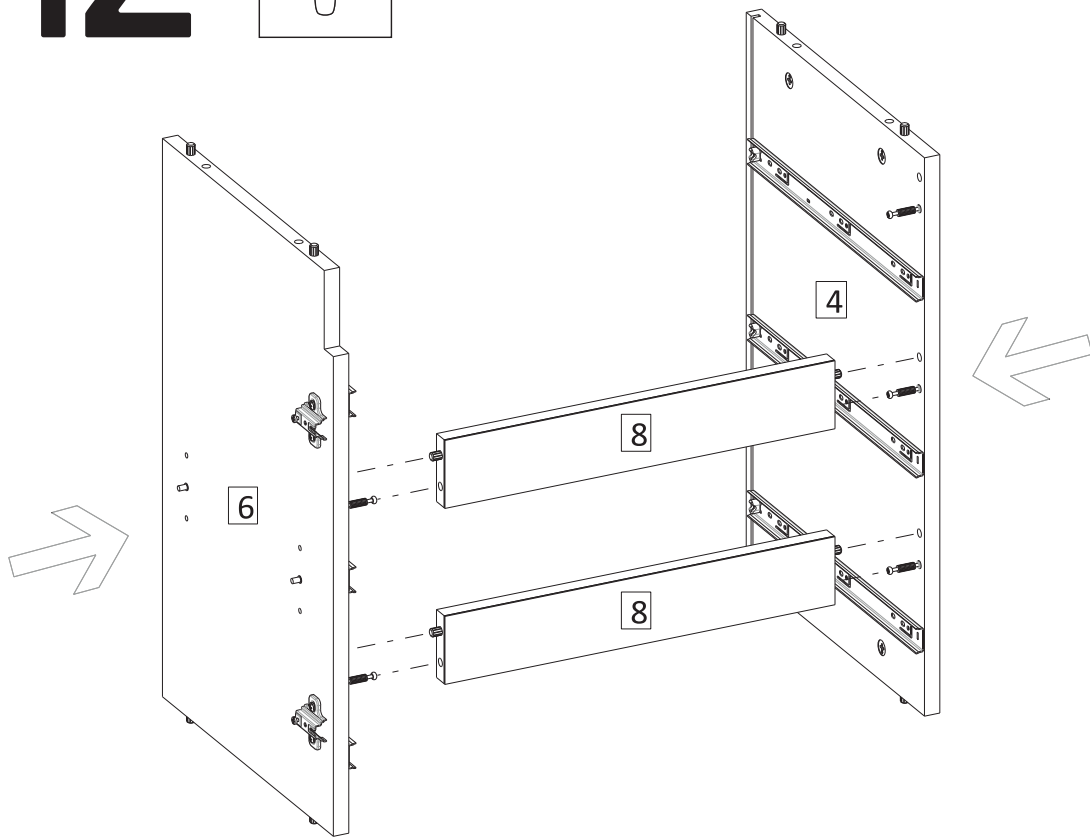
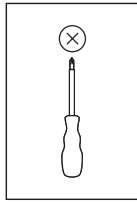
10



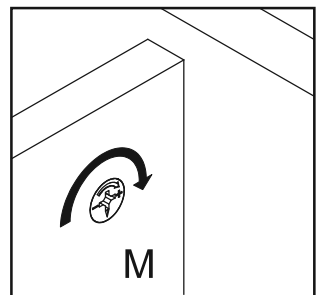
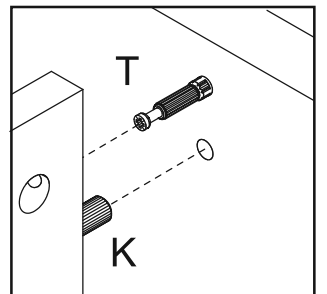
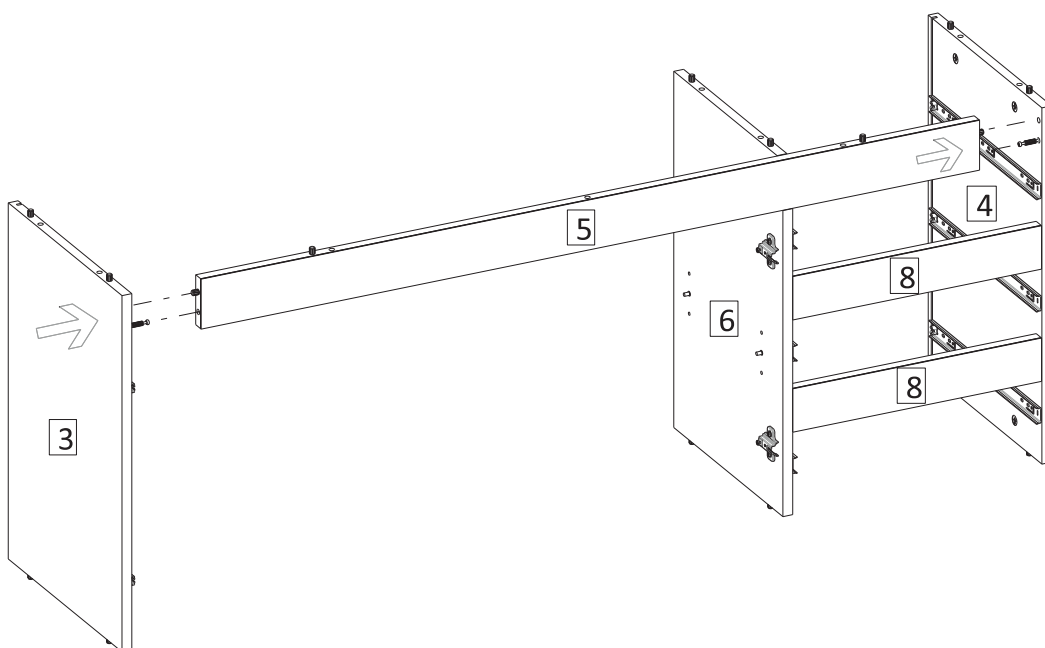
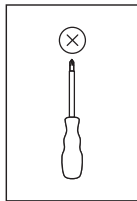
11



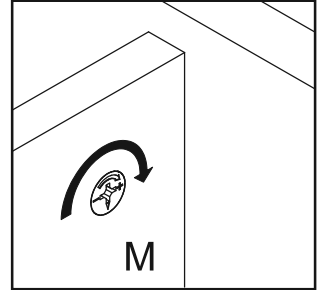
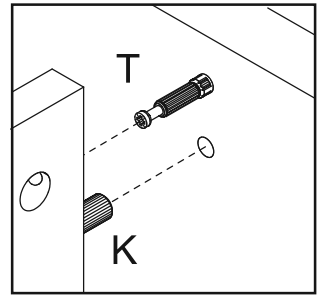
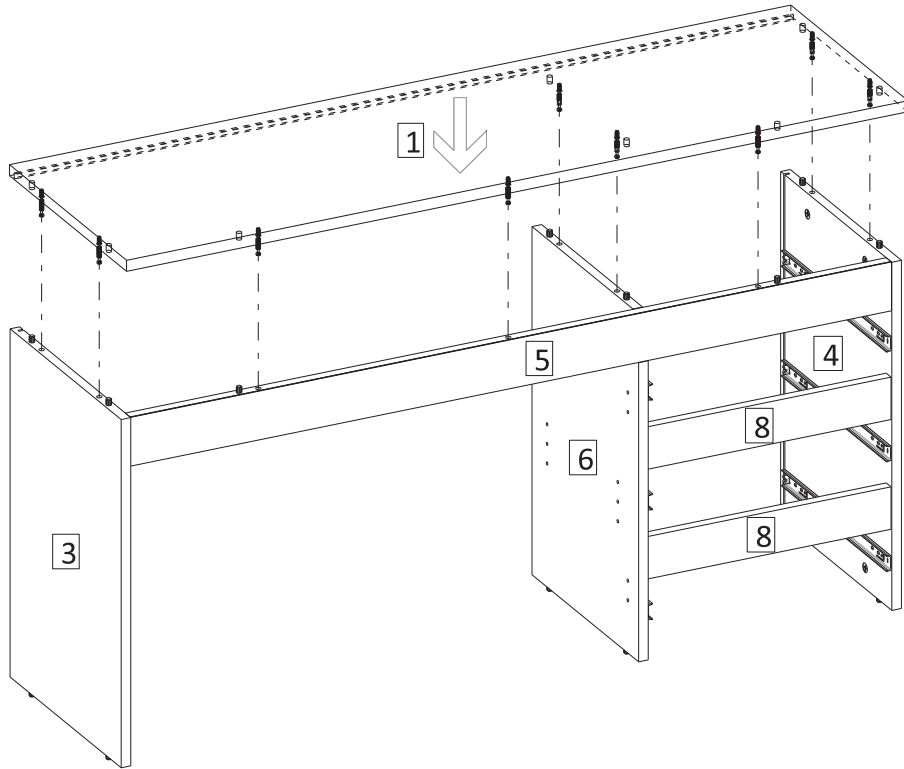
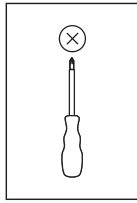
12



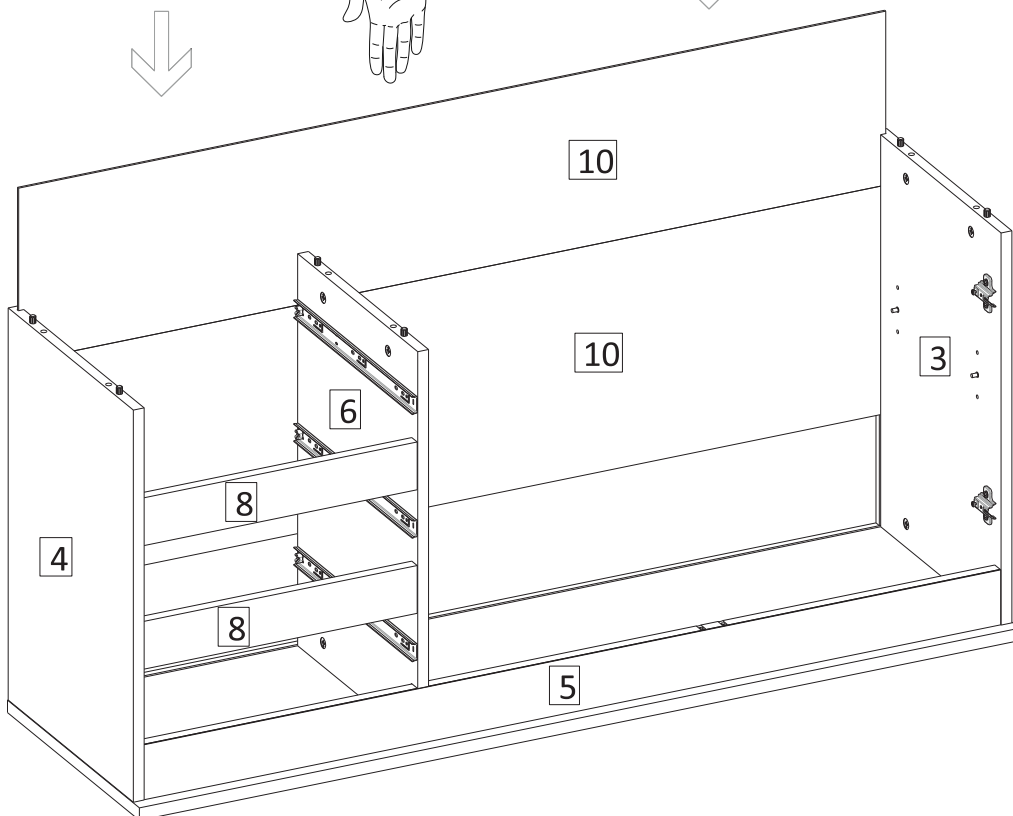
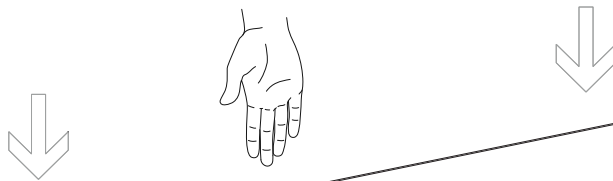
13



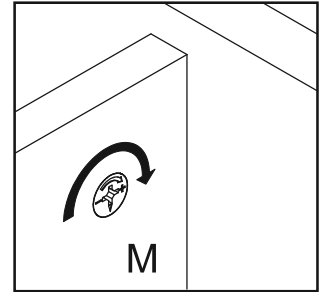
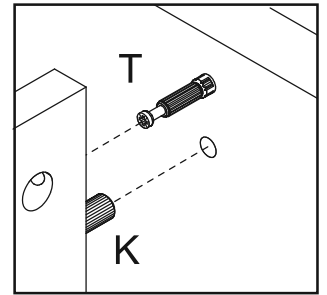
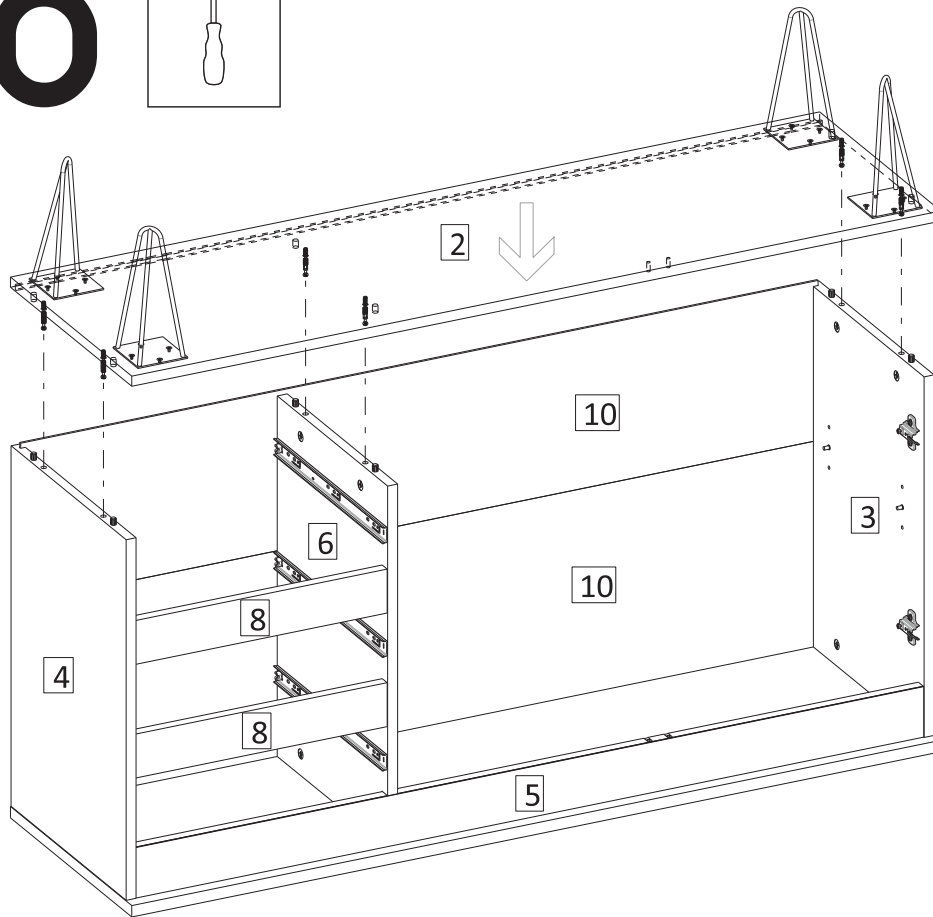
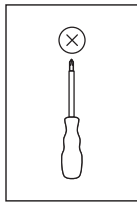
14



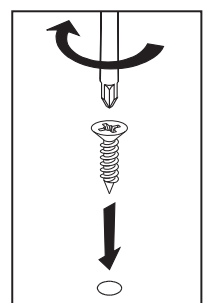
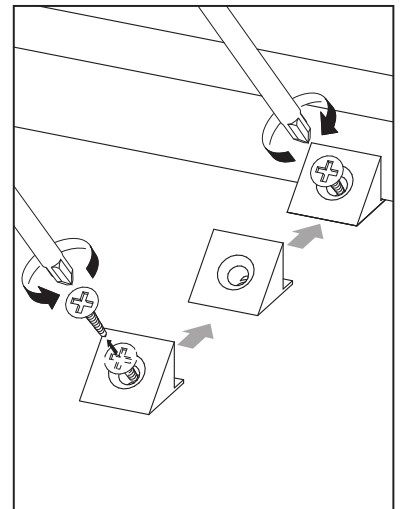
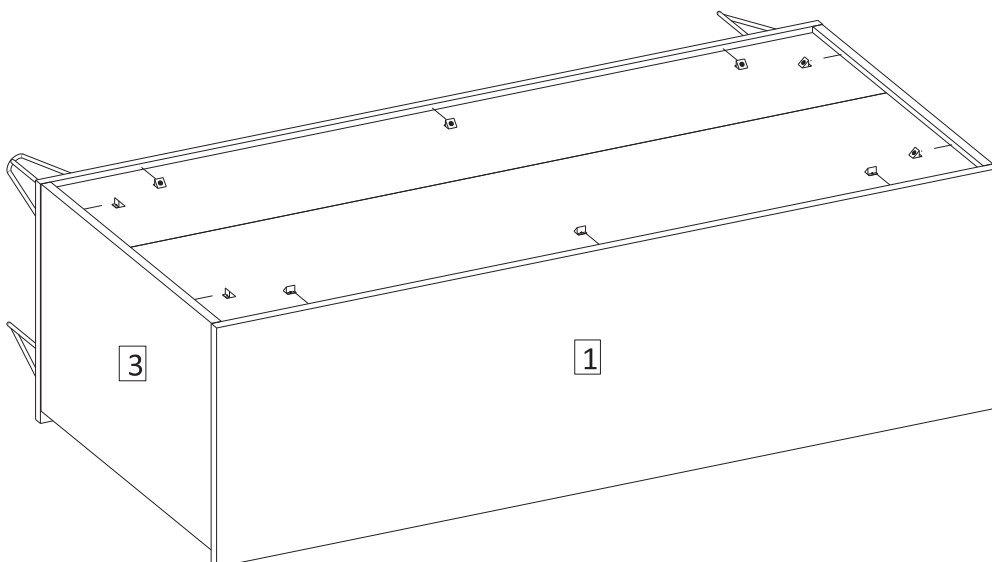
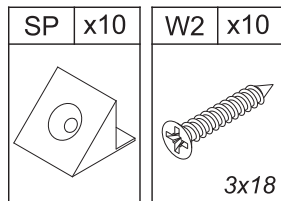
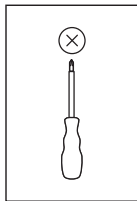
15



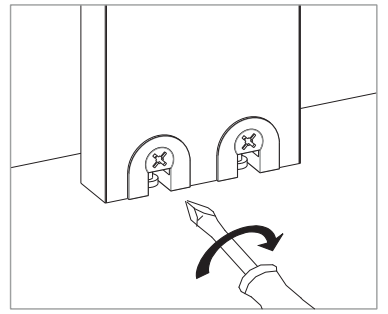
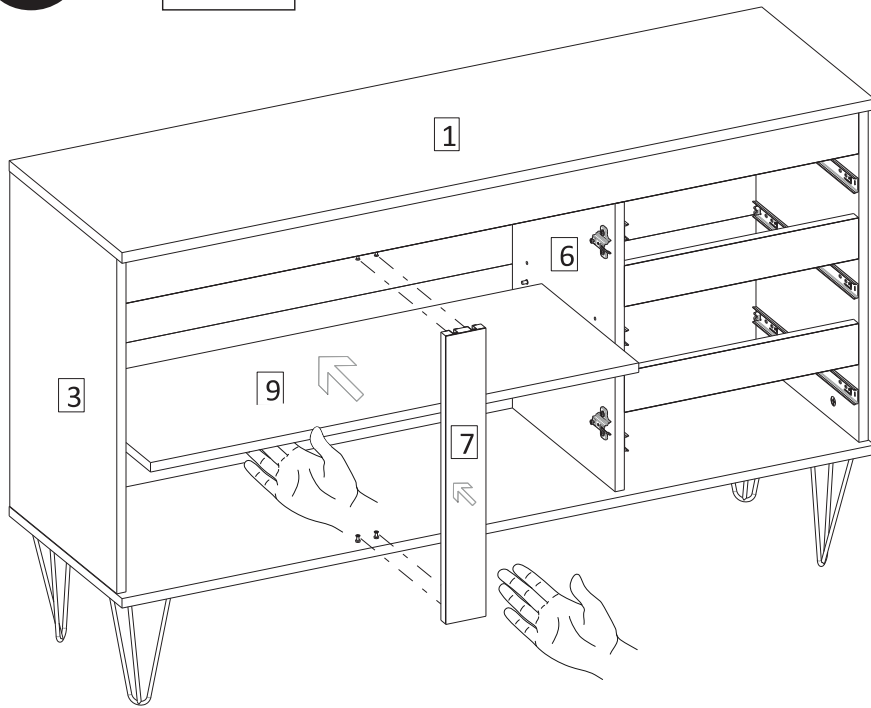
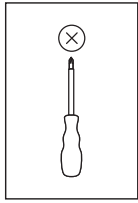
16



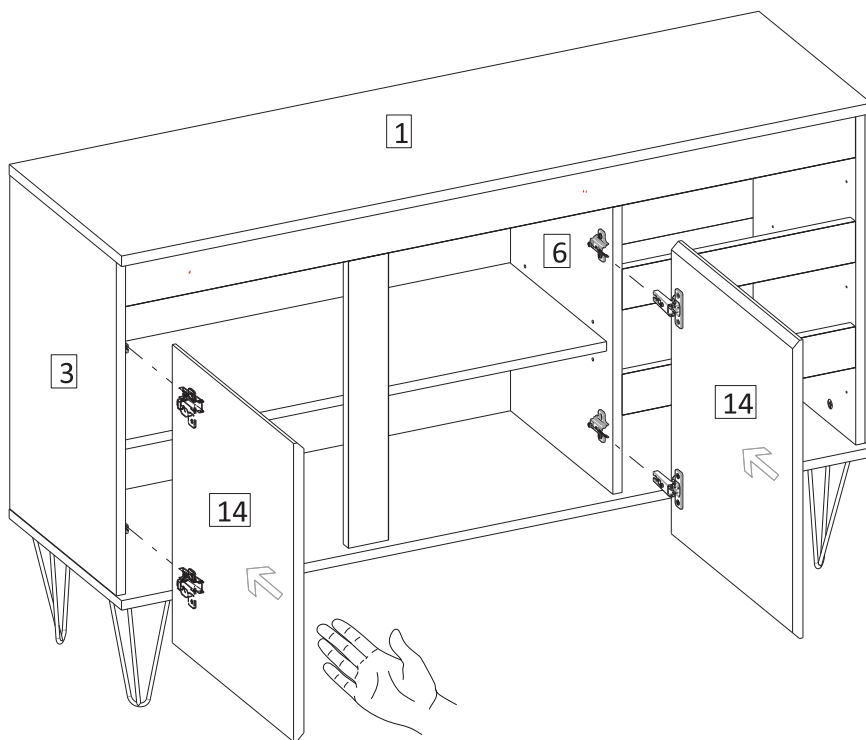
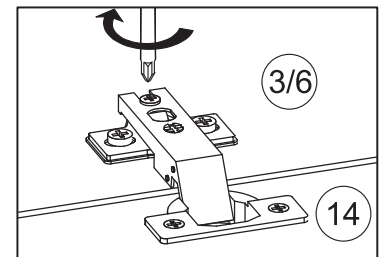
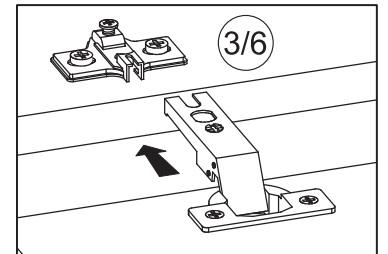
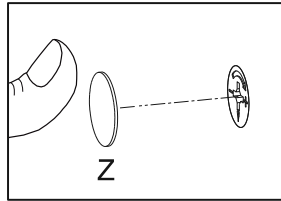
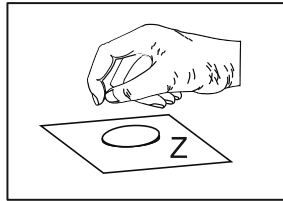
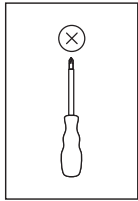
17



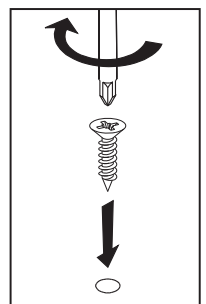
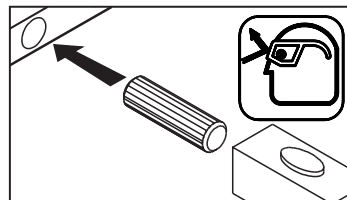
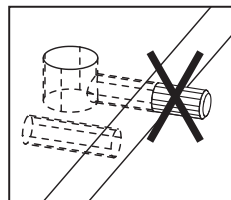
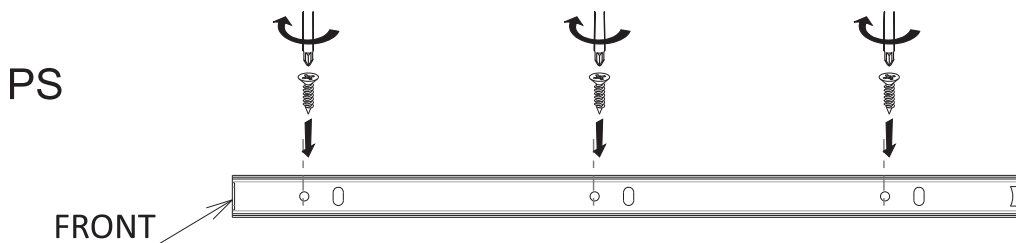
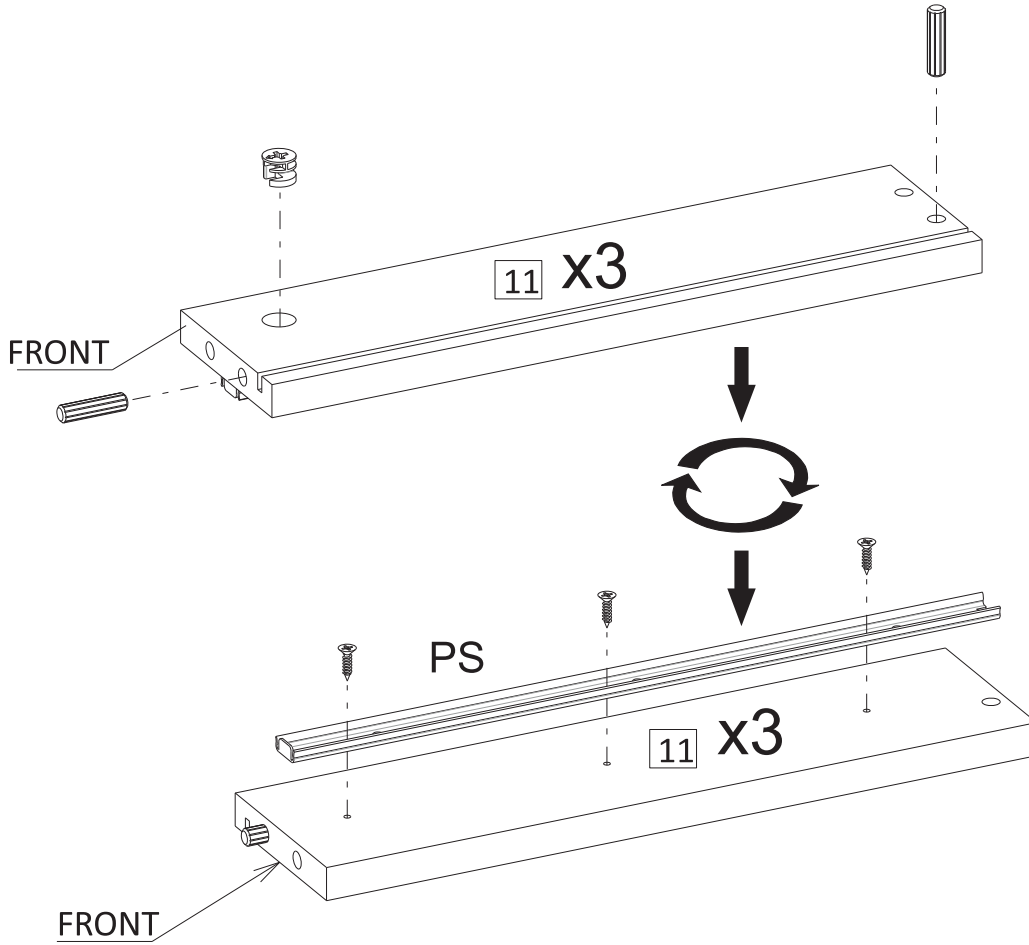
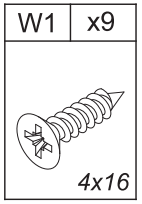
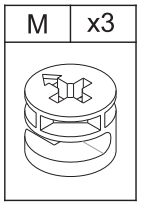
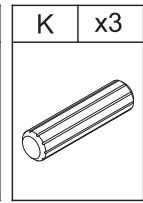
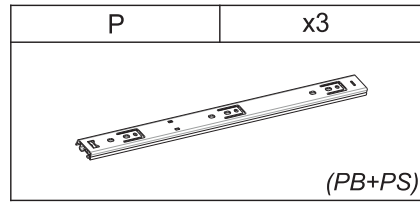
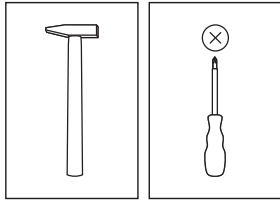
18



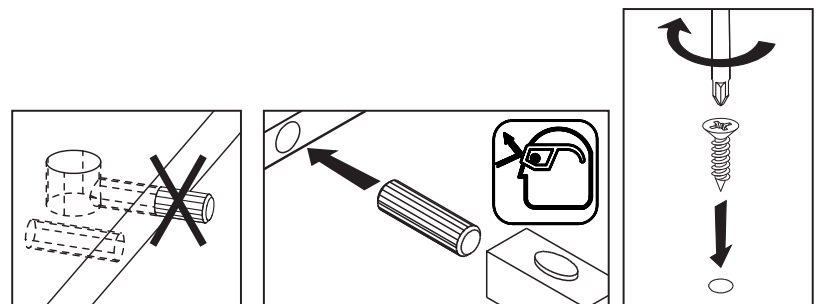
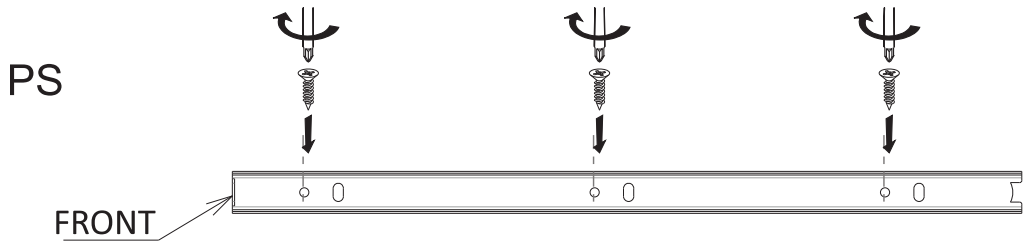
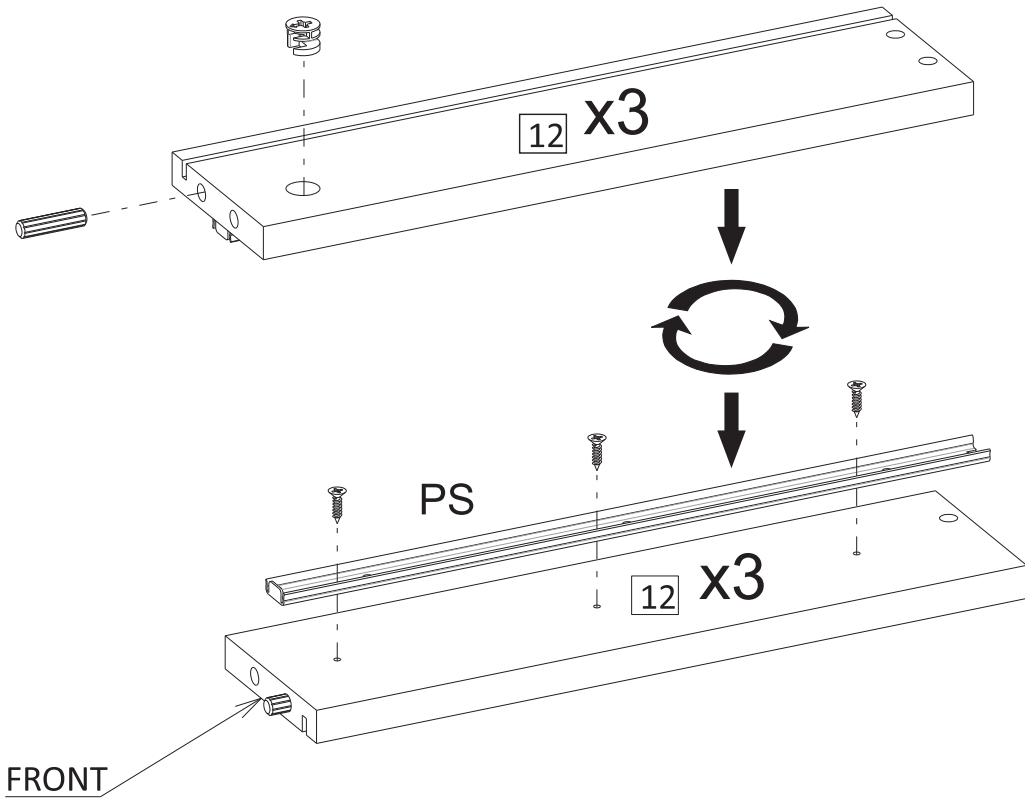
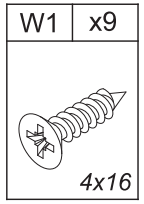
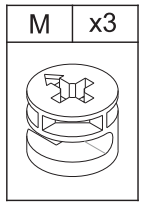
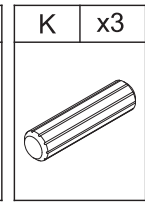
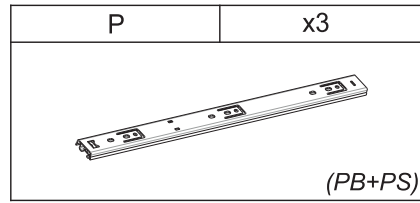
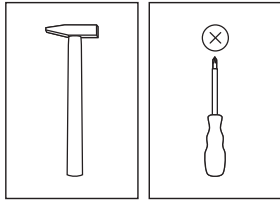
19



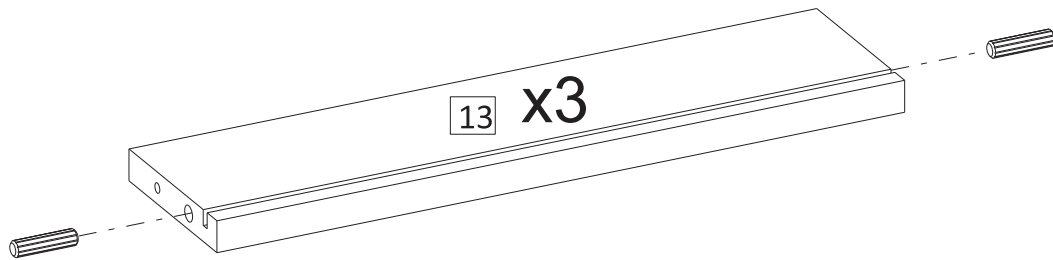
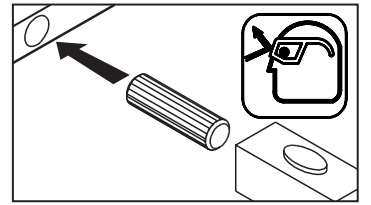
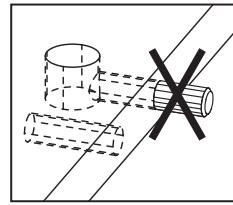
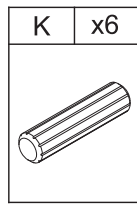
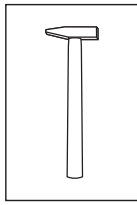
20



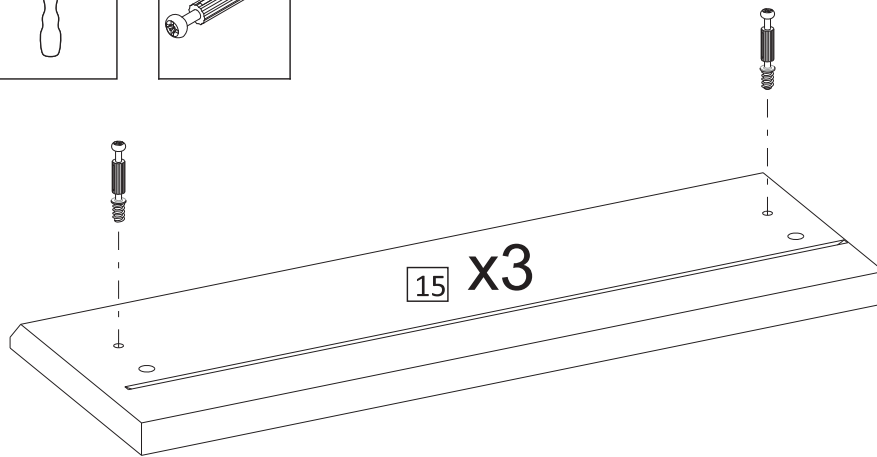
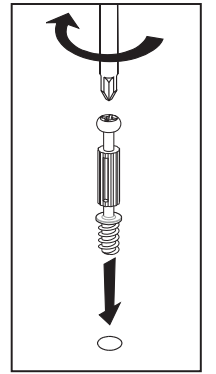
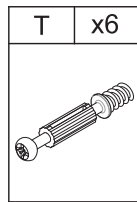
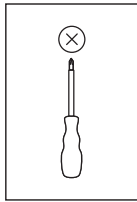
21



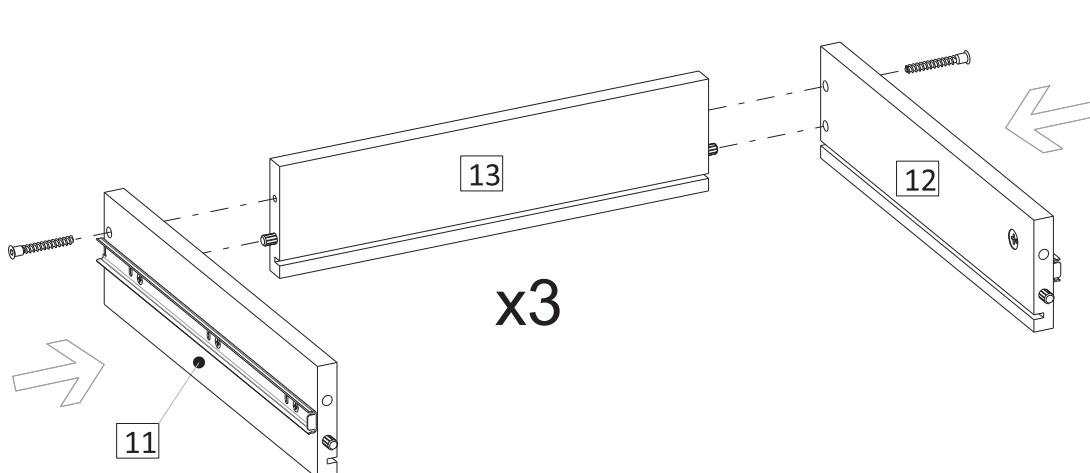
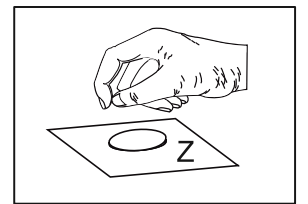
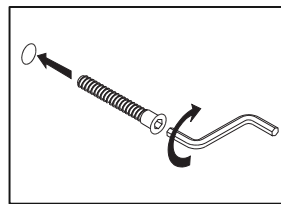
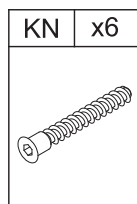
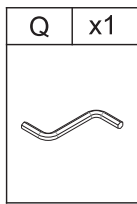
22



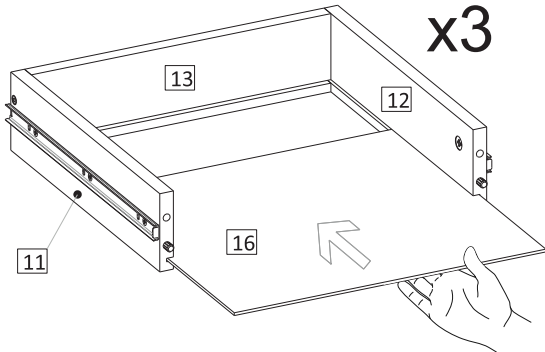
23



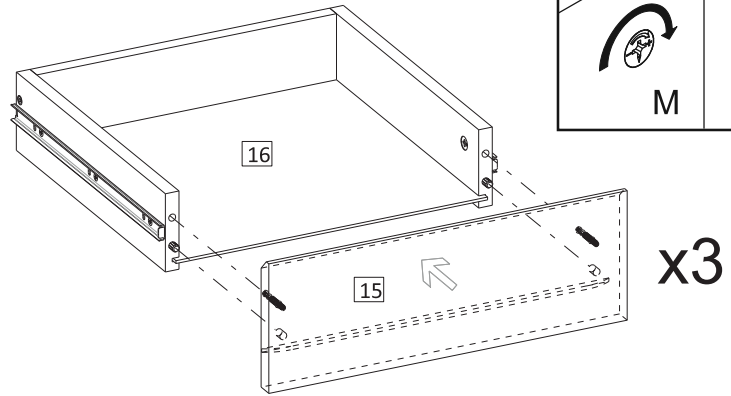
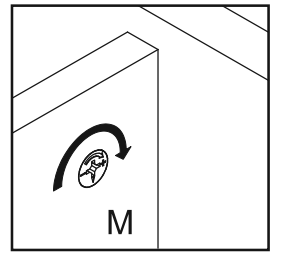
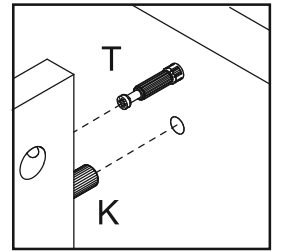
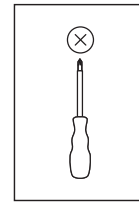
24



25



26



27

