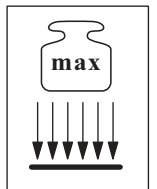
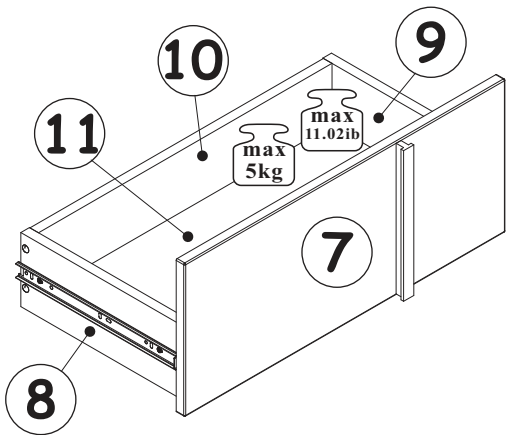
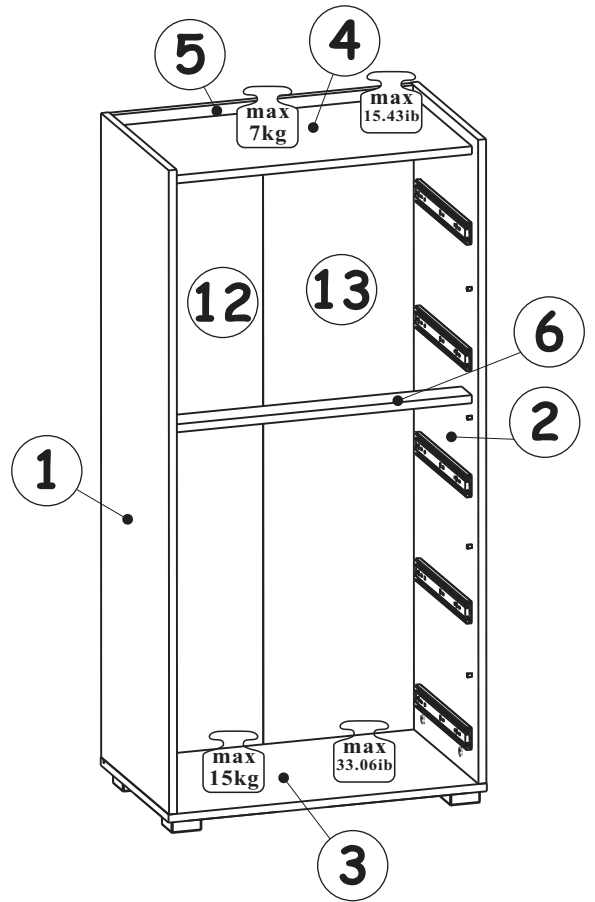
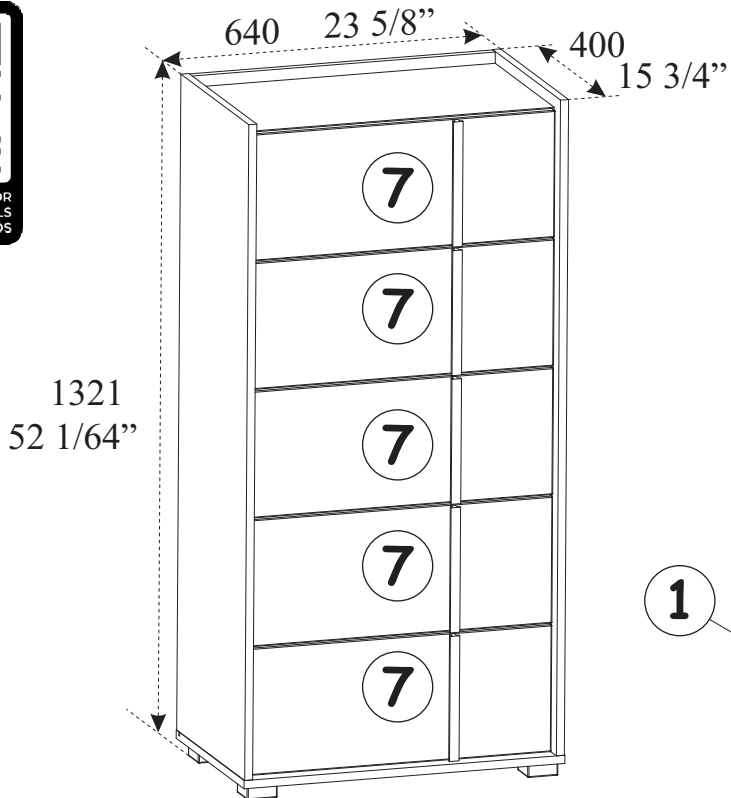
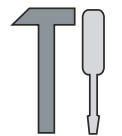
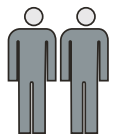


# SIDEBOARD 5DRW

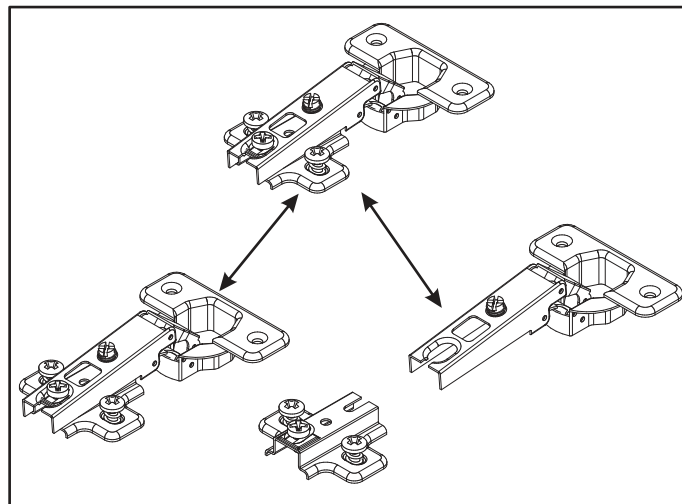
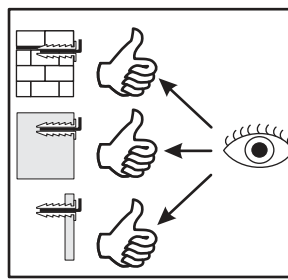
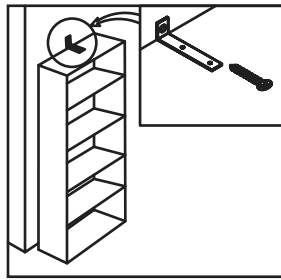
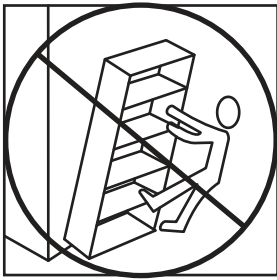
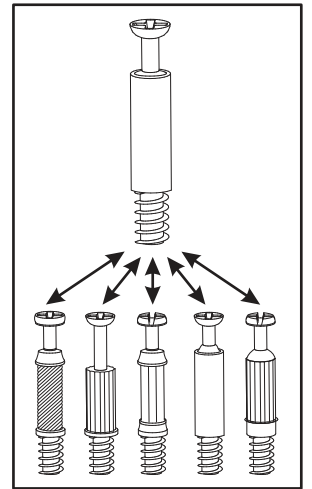
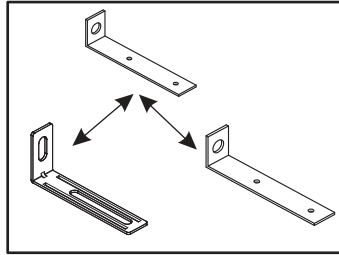
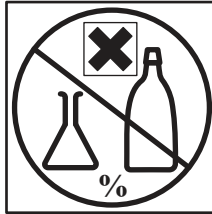
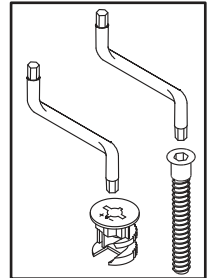
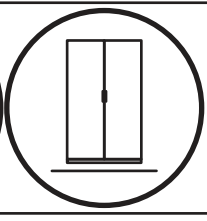
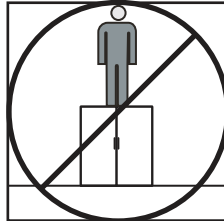
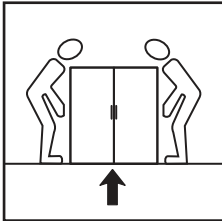
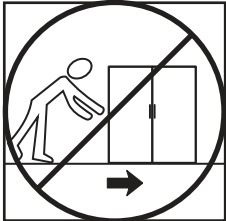
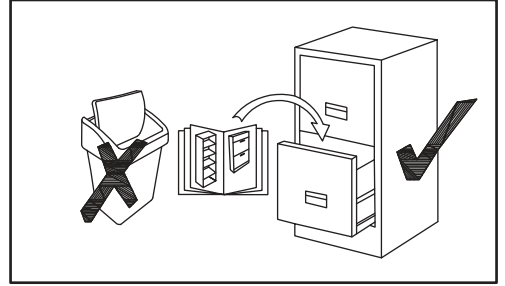
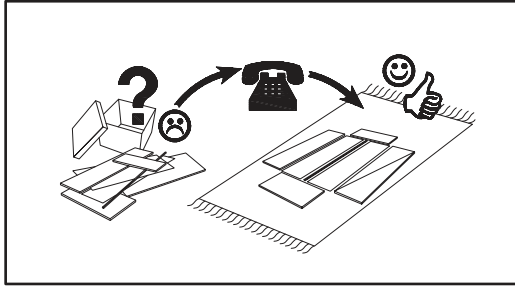
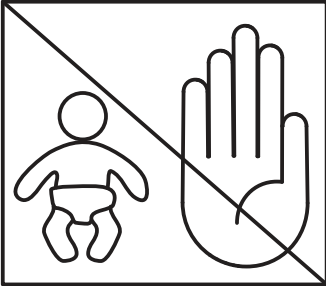
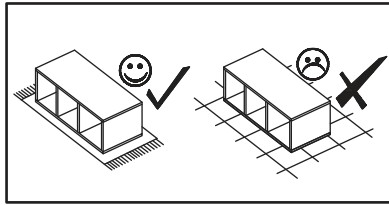
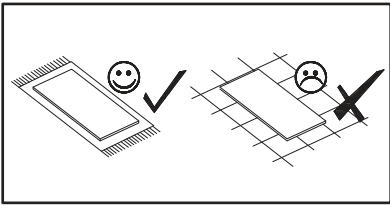


NO	Dim			Col.-No	Qty	NO	Inch			Col.-No	Qty
1	1280	400	16	1	1	1	50 25/64	15 3/4	5/8	1	1
2	1280	400	16	1	1	2	50 25/64	15 3/4	5/8	1	1
3	640	400	16	2	1	3	25 13/64	15 3/4	5/8	2	1
4	606	347	16	2	1	4	23 55/64	13 21/32	5/8	2	1
6	606	60	16	2	1	6	23 55/64	2 23/64	5/8	2	1
5	606	60	16	2	1	5	23 55/64	2 23/64	5/8	2	1
7	600	248	16	2	5	7	23 5/8	9 49/64	5/8	2	5
8	300	120	16	2	5	8	11 13/16	4 23/32	5/8	2	5
9	300	120	16	2	5	9	11 13/16	4 23/32	5/8	2	5
10	549	100	16	2	5	10	21 39/64	3 15/16	5/8	2	5
11	561	304	3	2	5	11	22 3/32	11 31/32	1/8	2	5
12	1246	309	3	1	1	12	49 1/16	12 11/64	1/8	1	1
13	1246	309	3	1	1	13	49 1/16	12 11/64	1/8	1	1

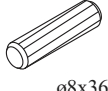


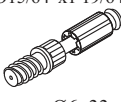


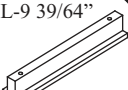
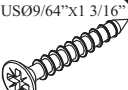
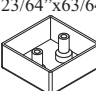

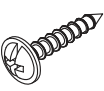
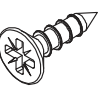
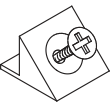
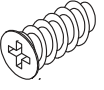



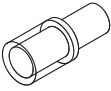


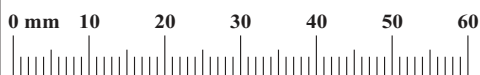
90 min

# SIDEBOARD 5DRW



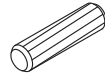

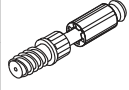
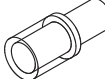
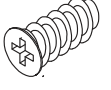

# SIDEBOARD 5DRW

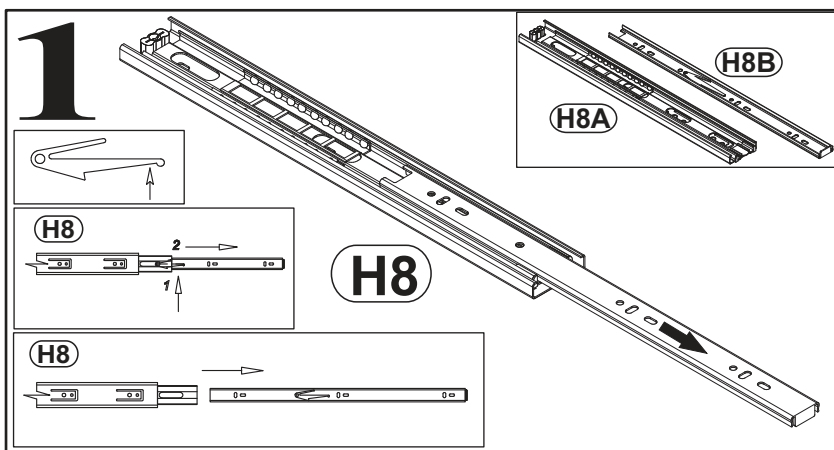
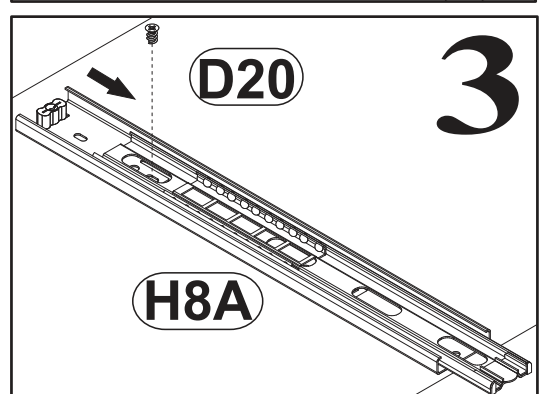
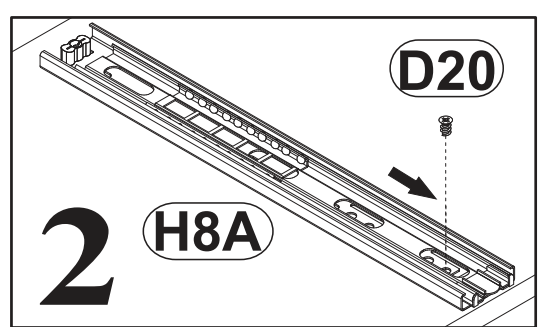
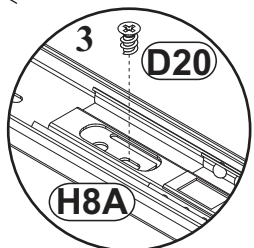
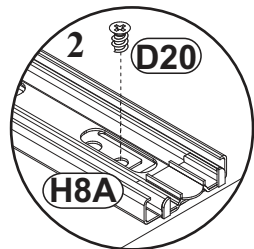
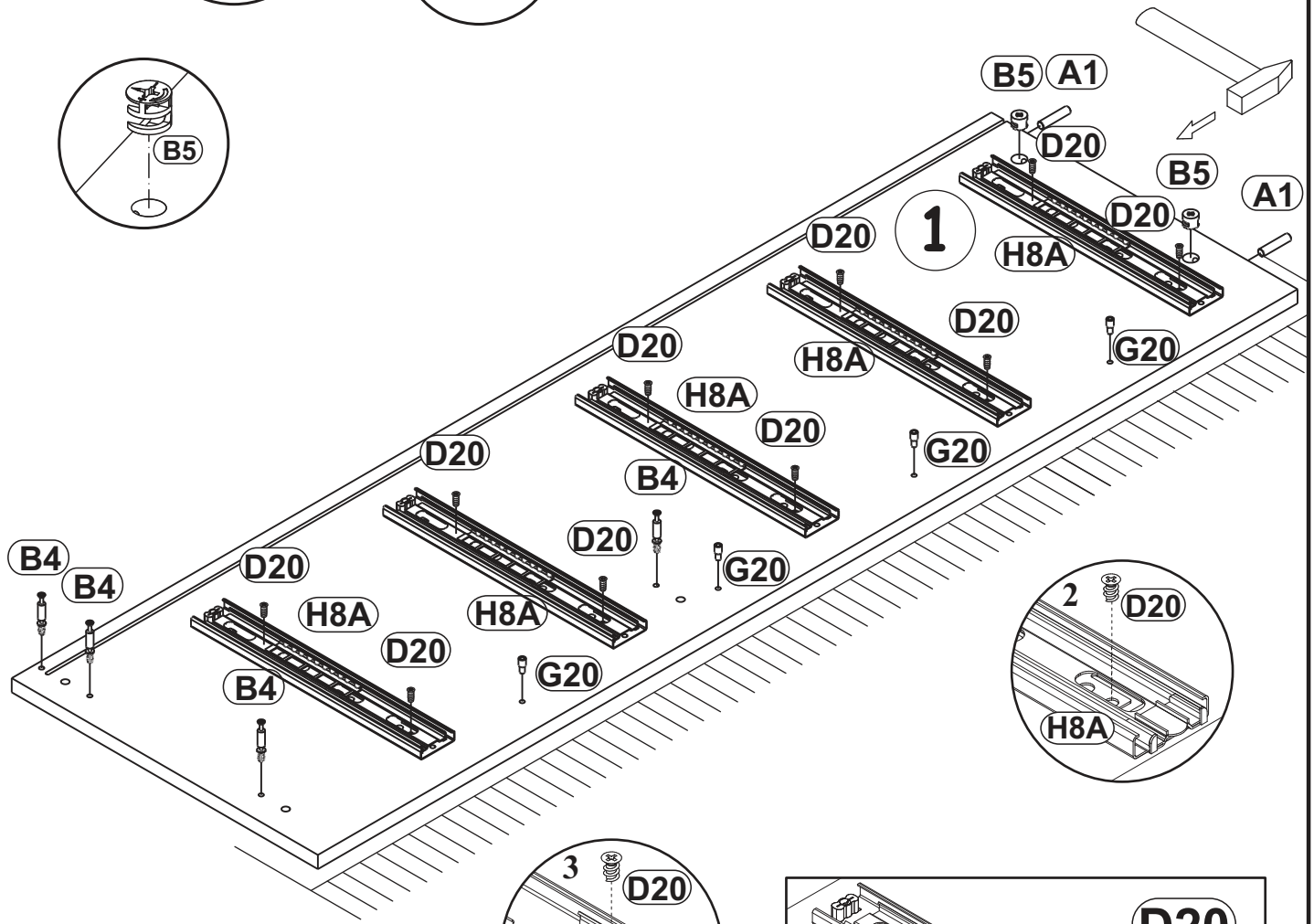
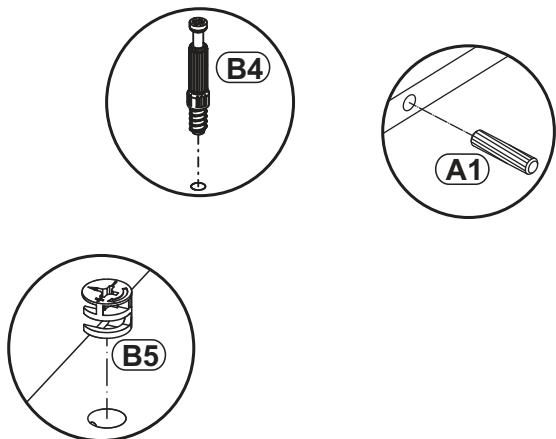
A1 x20  Ø5/16"x1 27/64" ø8x36	B11 x22  Ø9/32"x1 31/32" Ø7x50	G4 x22 	B4 x22  Ø15/64"x1 19/64" Ø6x33	B5 x22  Ø19/32"x15/32" Ø15x12	G5 x22 
T03 x5  L-9 39/64" L-244mm	D6 x18  USØ9/64"x1 3/16" USØ3,5x30	ST21 x4  2 23/64"x 2 23/64"x63/64" 60x60x25	H8 x5  L- 11 13/16" L-300mm.	UP13 x20  USØ1/8"x5/8" UPØ3x16	D10 x24  USØ9/64"x33/64" USØ3,5x13
S1 x15 	D20 x20  ESØ15/64"x3/8" ESØ6x9,5	KR5 SFXP x2  Ø 25/64"x1 31/32 x2 23/64 Ø10/50x60	L1 x2  2 29/32"x1 11/32" x19/32" 74x34x15	G2 x1 	G20 X8 



# SIDEBORD 5DRW

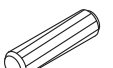

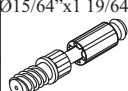



1

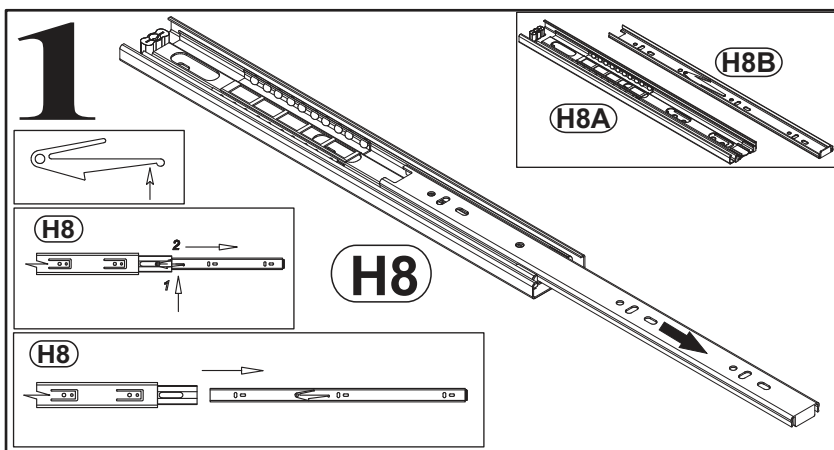
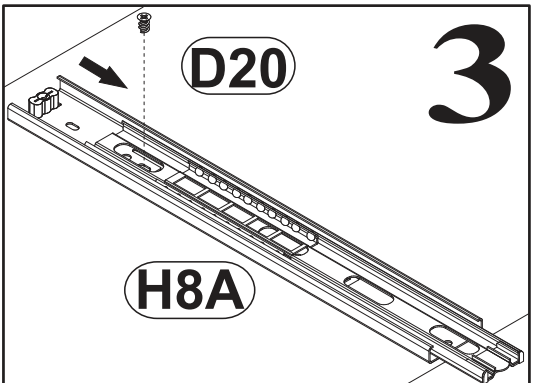
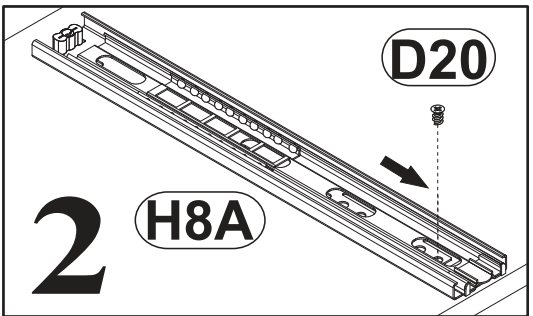
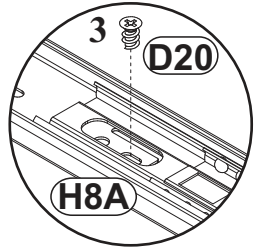
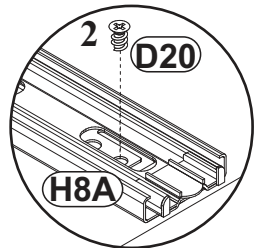
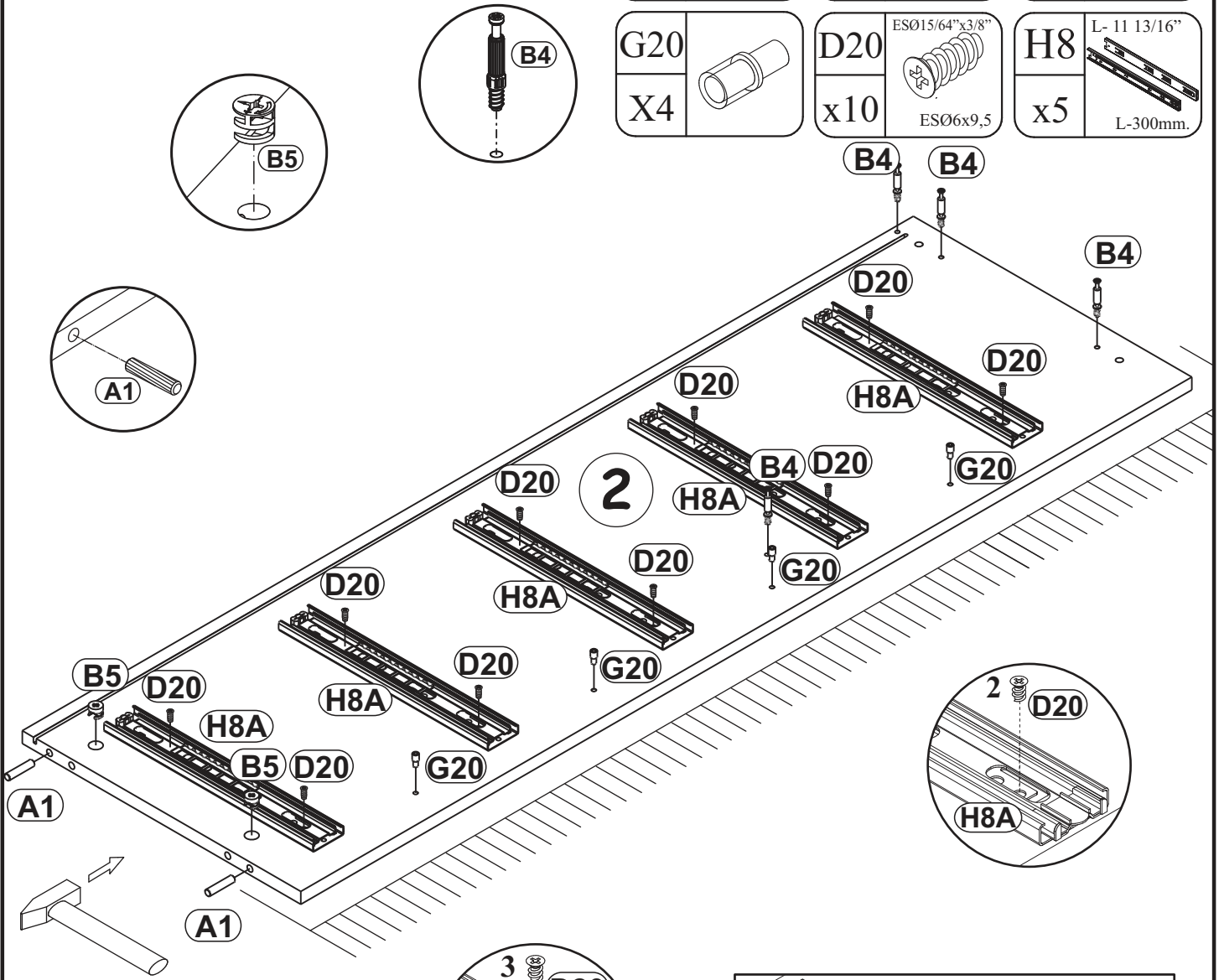
A1	Ø5/16"x1 27/64"	B5	Ø19/32"x15/32"	B4	Ø15/64"x1 19/64"
x2		x2		x4	
	ø8x36		Ø15x12		Ø6x33
G20		D20	ESØ15/64"x3/8"	H8	L- 11 13/16"
X4		x10		x5	
			ESØ6x9,5		L-300mm.



# SIDEBORD 5DRW


2

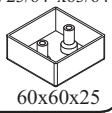
A1	Ø5/16"x1 27/64"	B5	Ø19/32"x15/32"	B4	Ø15/64"x1 19/64"
x2		x2		x4	
	ø8x36		Ø15x12		Ø6x33
G20		D20	ESØ15/64"x3/8"	H8	L- 11 13/16"
x4		x10		x5	
			ESØ6x9,5		L-300mm.




# SIDEBOARD 5DRW

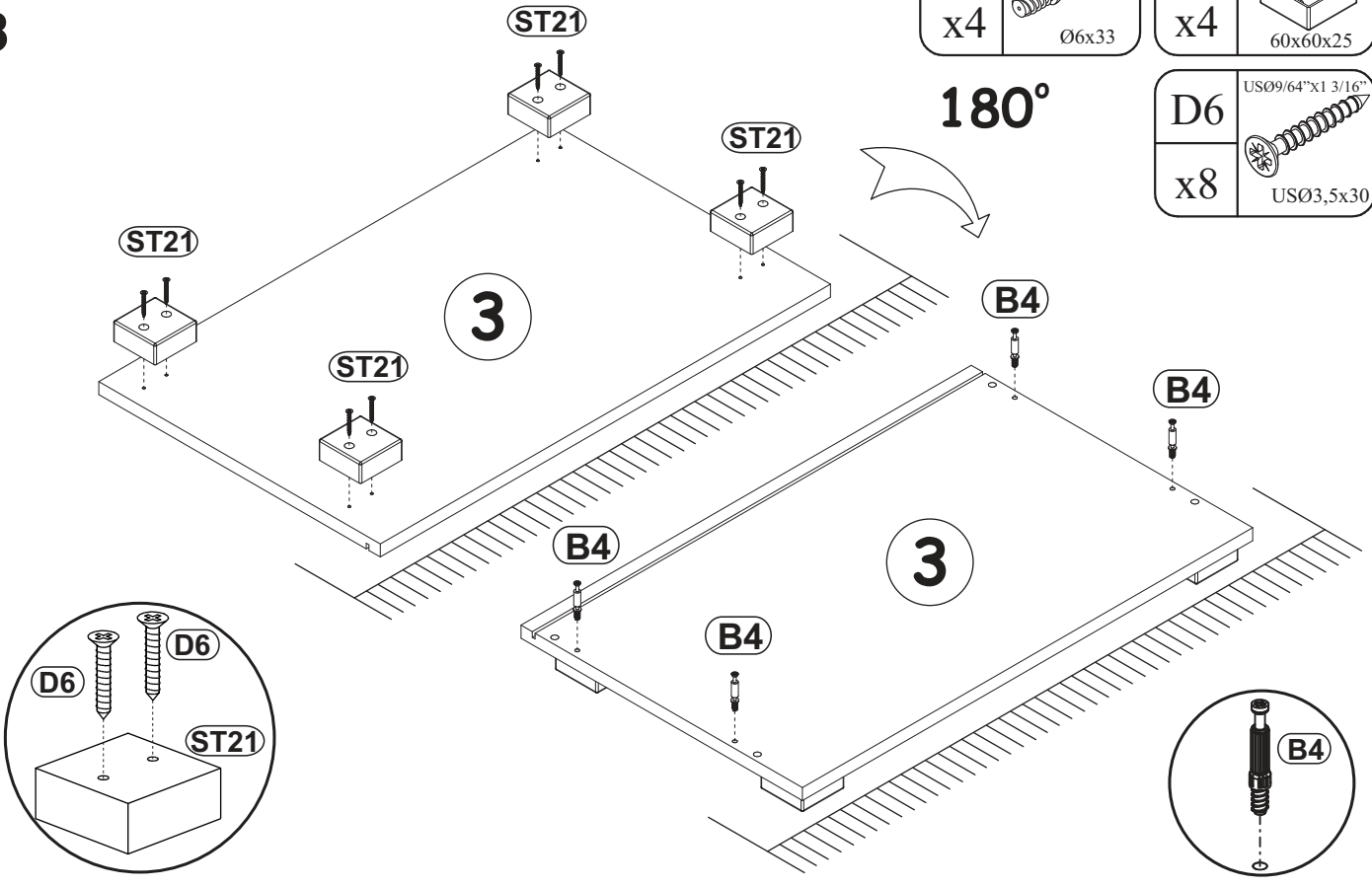
**3**

<b>B4</b>	Ø15/64"x1 19/64"
x4	 Ø6x33

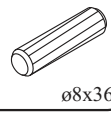
<b>ST21</b>	2 23/64"x 2 23/64"x63/64"
x4	 60x60x25


<b>D6</b>	USØ9/64"x1 3/16"
x8	 USØ3,5x30

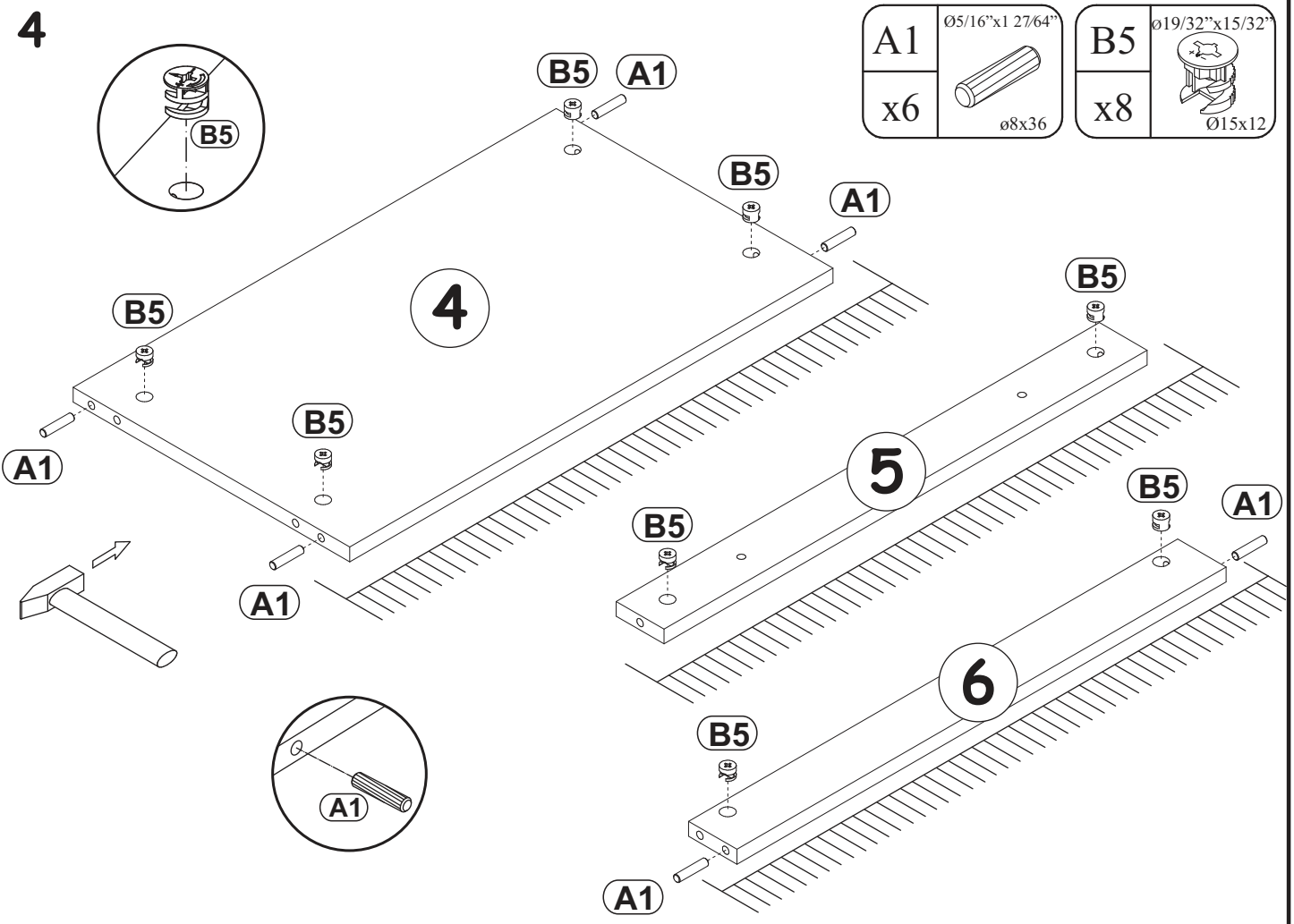
**180°**



**4**

<b>A1</b>	Ø5/16"x1 27/64"
x6	 ø8x36

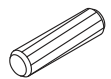
<b>B5</b>	Ø19/32"x15/32"
x8	 Ø15x12




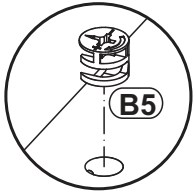


SIDEBOARD 5DRW

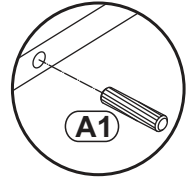
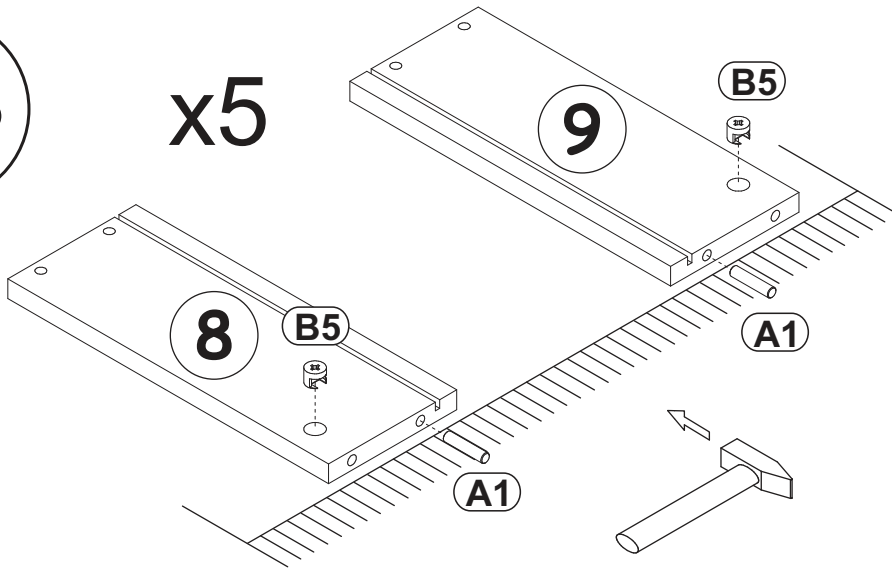
5

A1	Ø5/16"x1 27/64"
x10	 ø8x36


B5	Ø19/32"x15/32"
x10	 Ø15x12

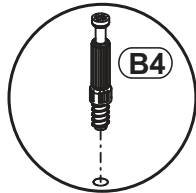


x5

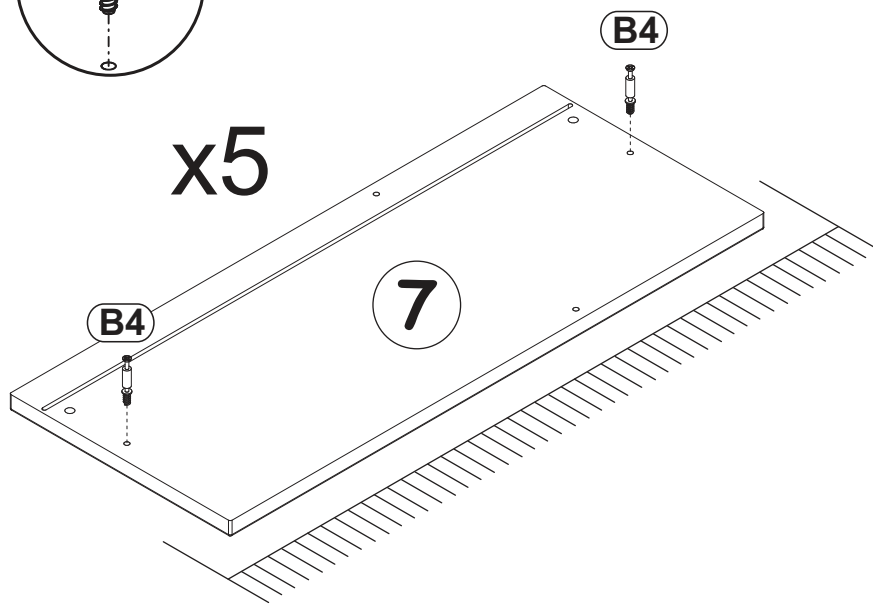


6

B4	Ø15/64"x1 19/64"
x10	 Ø6x33




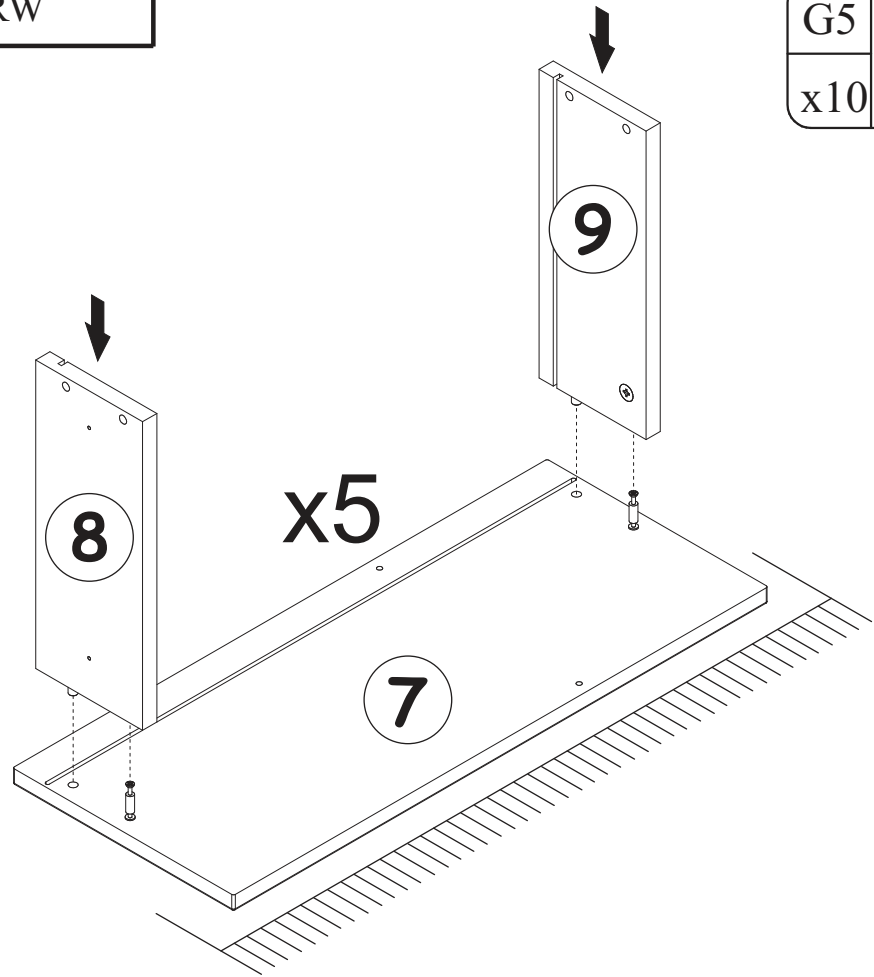
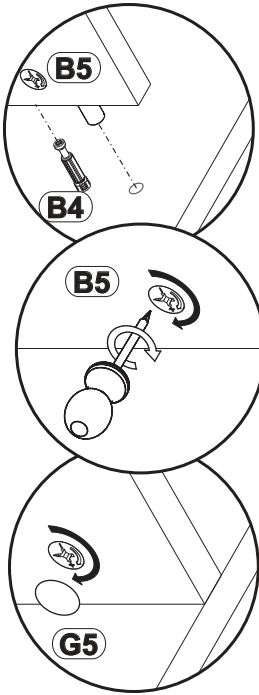
x5



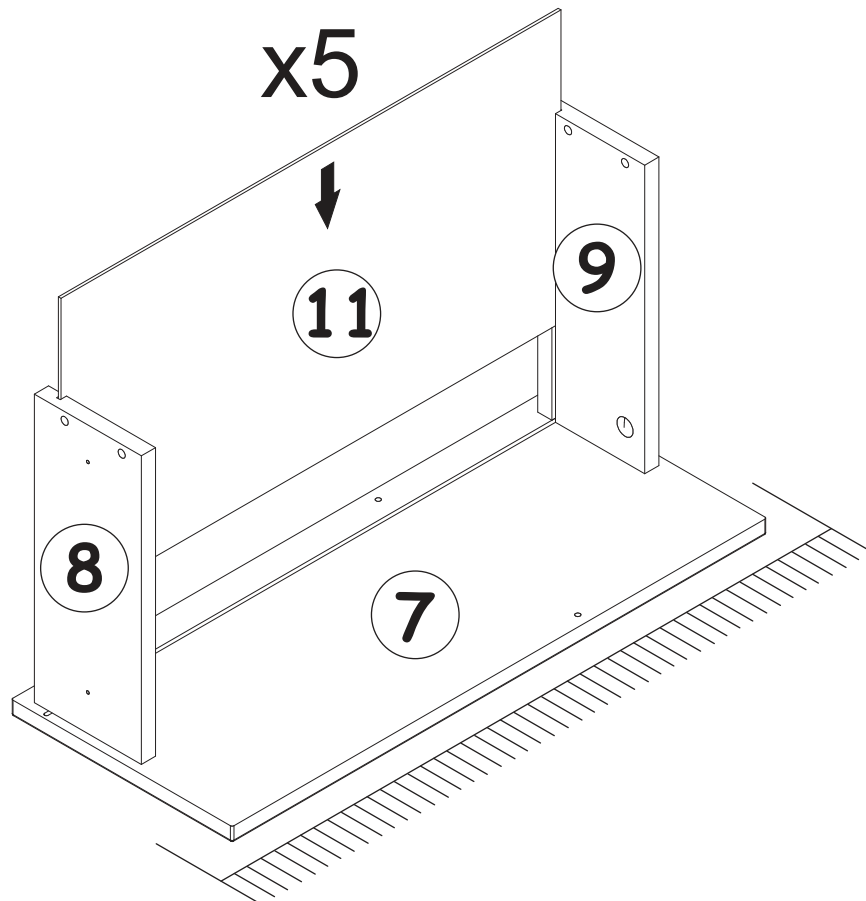
SIDEBORD 5DRW

7

G5	
x10	





8

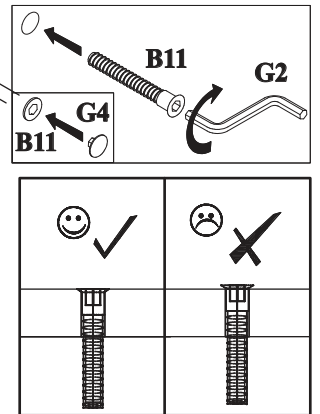
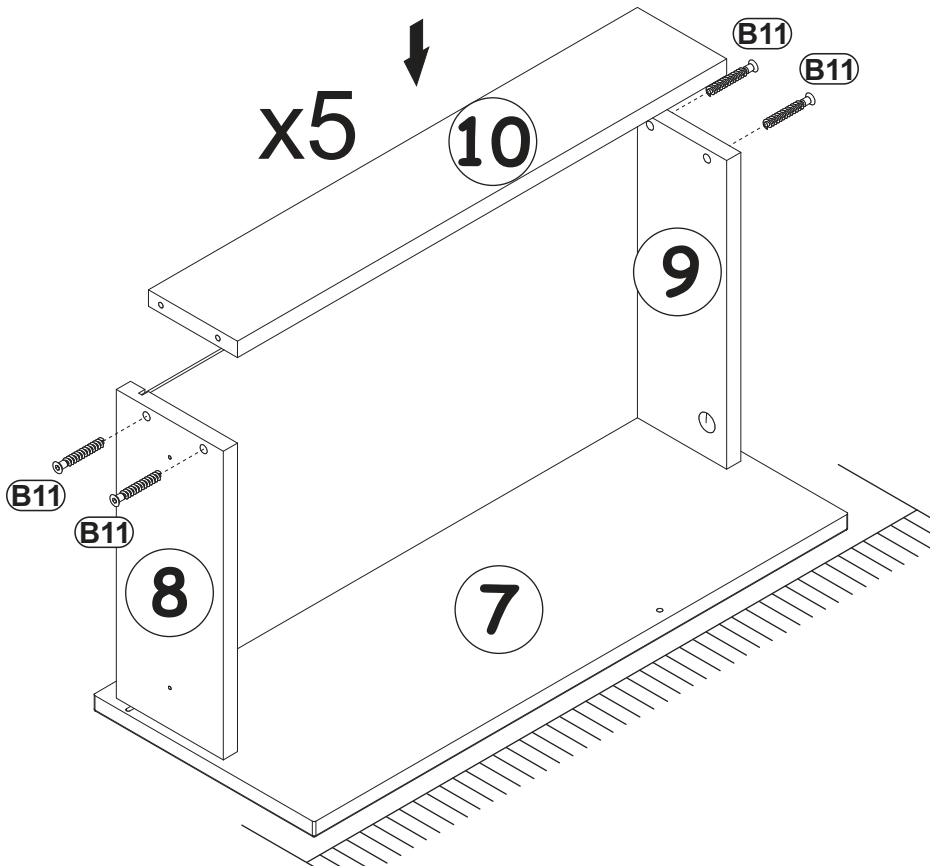




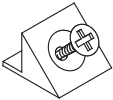

SIDEBOARD 5DRW

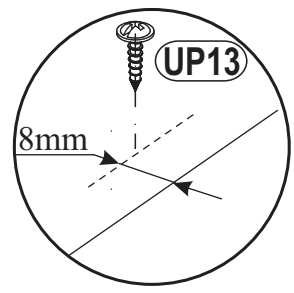
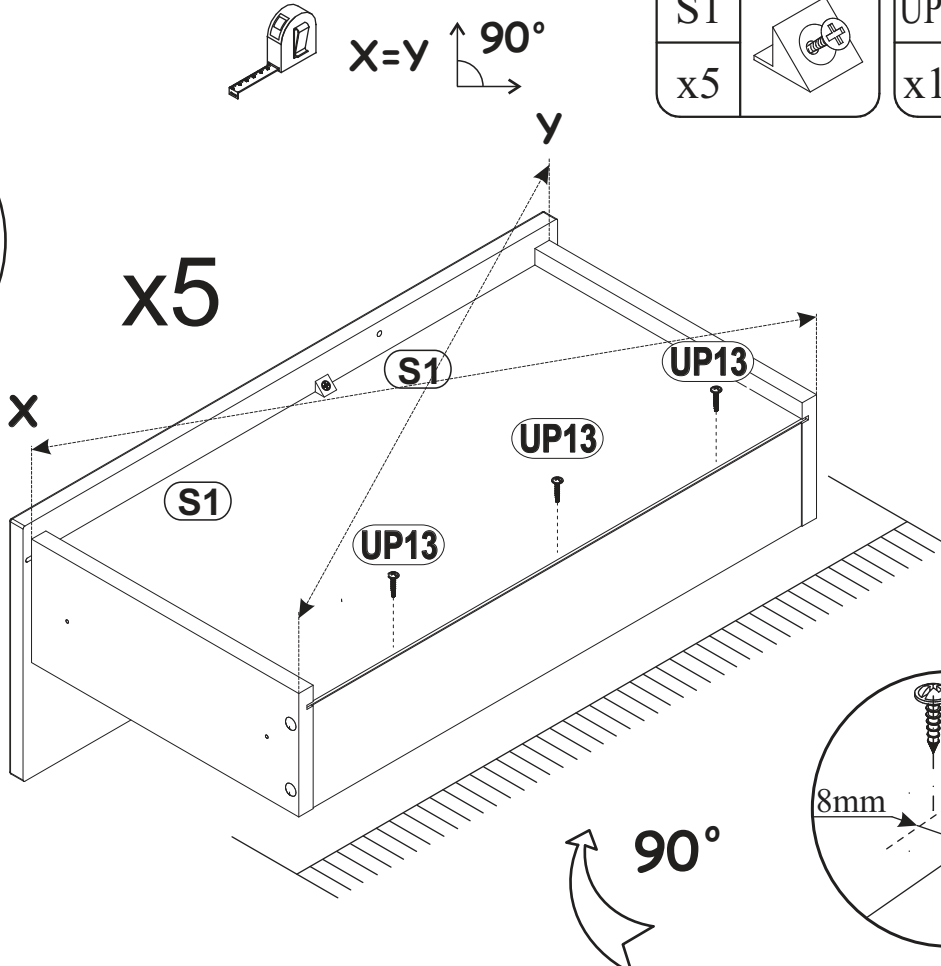
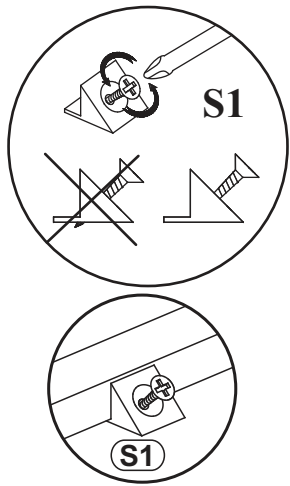
9

G4		B11	
x20		x20	$\text{Ø}9/32'' \times 1\ 31/32''$ $\text{Ø}7 \times 50$



10

S1		UP13	
x5		x15	$\text{US} \text{Ø}1/8'' \times 5/8''$ $\text{UP} \text{Ø}3 \times 16$



# SIDEBOARD 5DRW

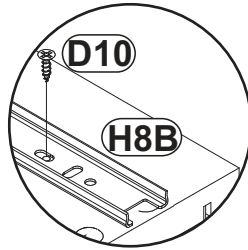
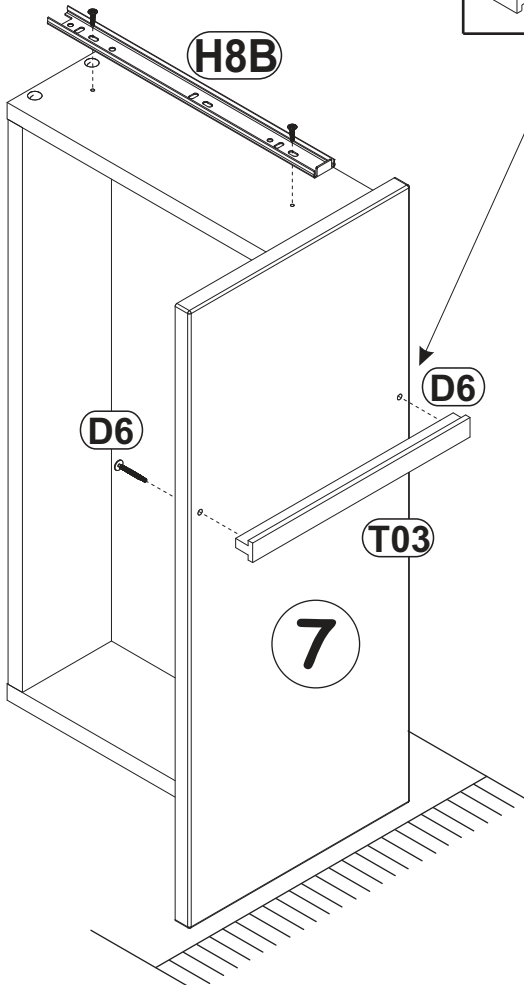
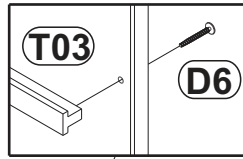
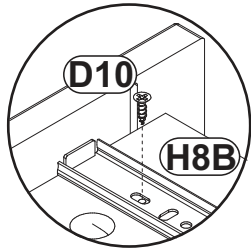
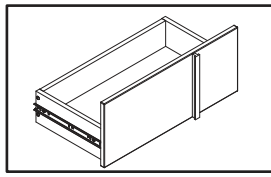
11

T03 L-9 39/64"  
x5 L-244mm

D10 USØ9/64"x33/64"  
x20 USØ3,5x13

H8 L-11 13/16"  
x5 L-300mm

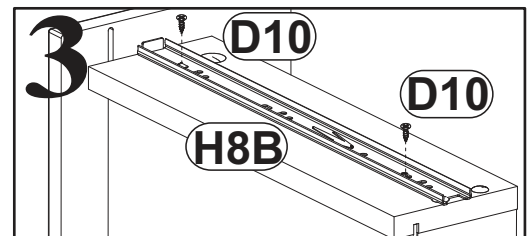
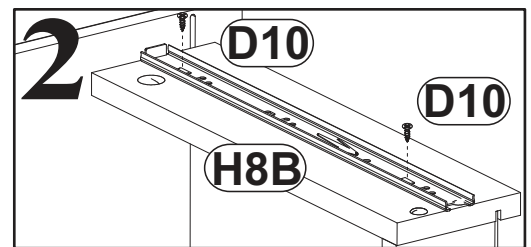
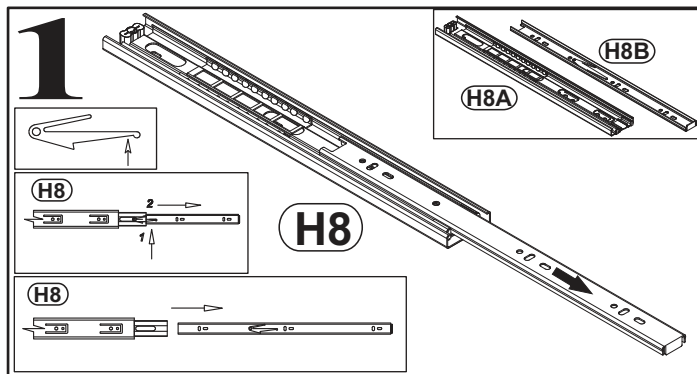
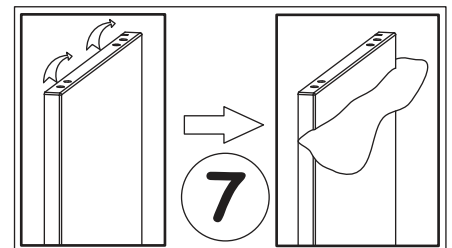
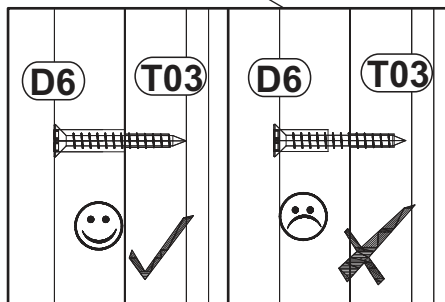
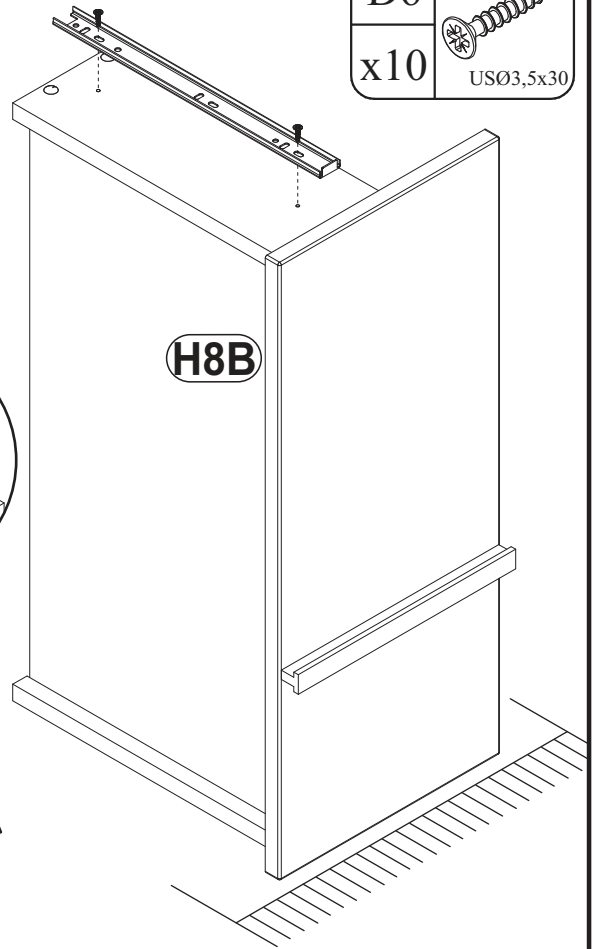
D6 USØ9/64"x1 3/16"  
x10 USØ3,5x30



180°




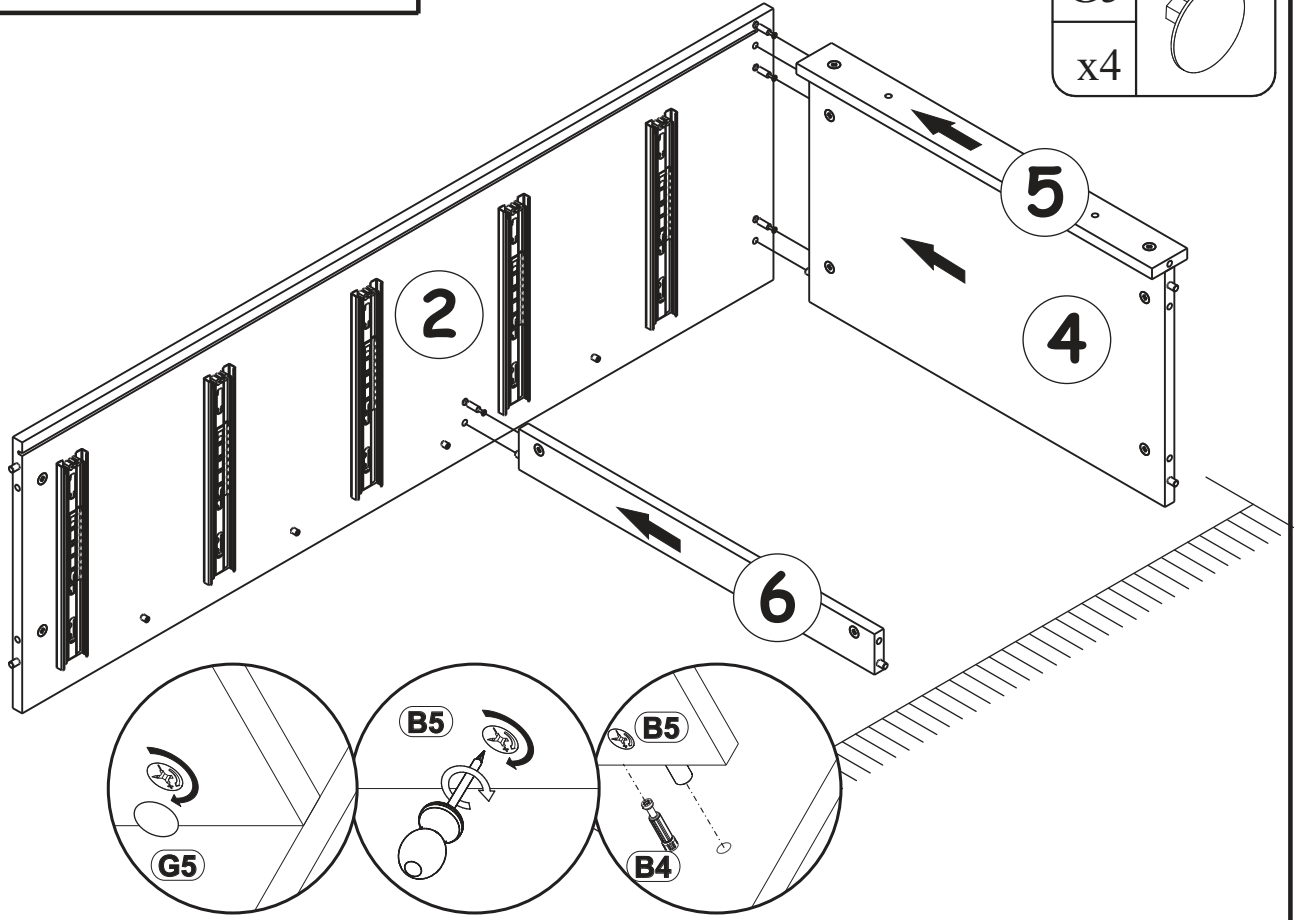
x5




SIDEBOARD 5DRW


12

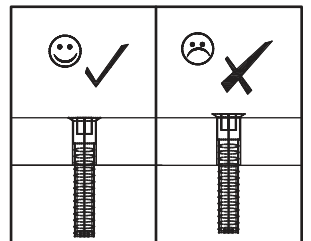
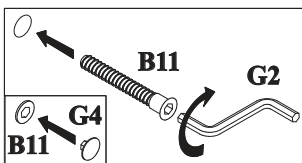
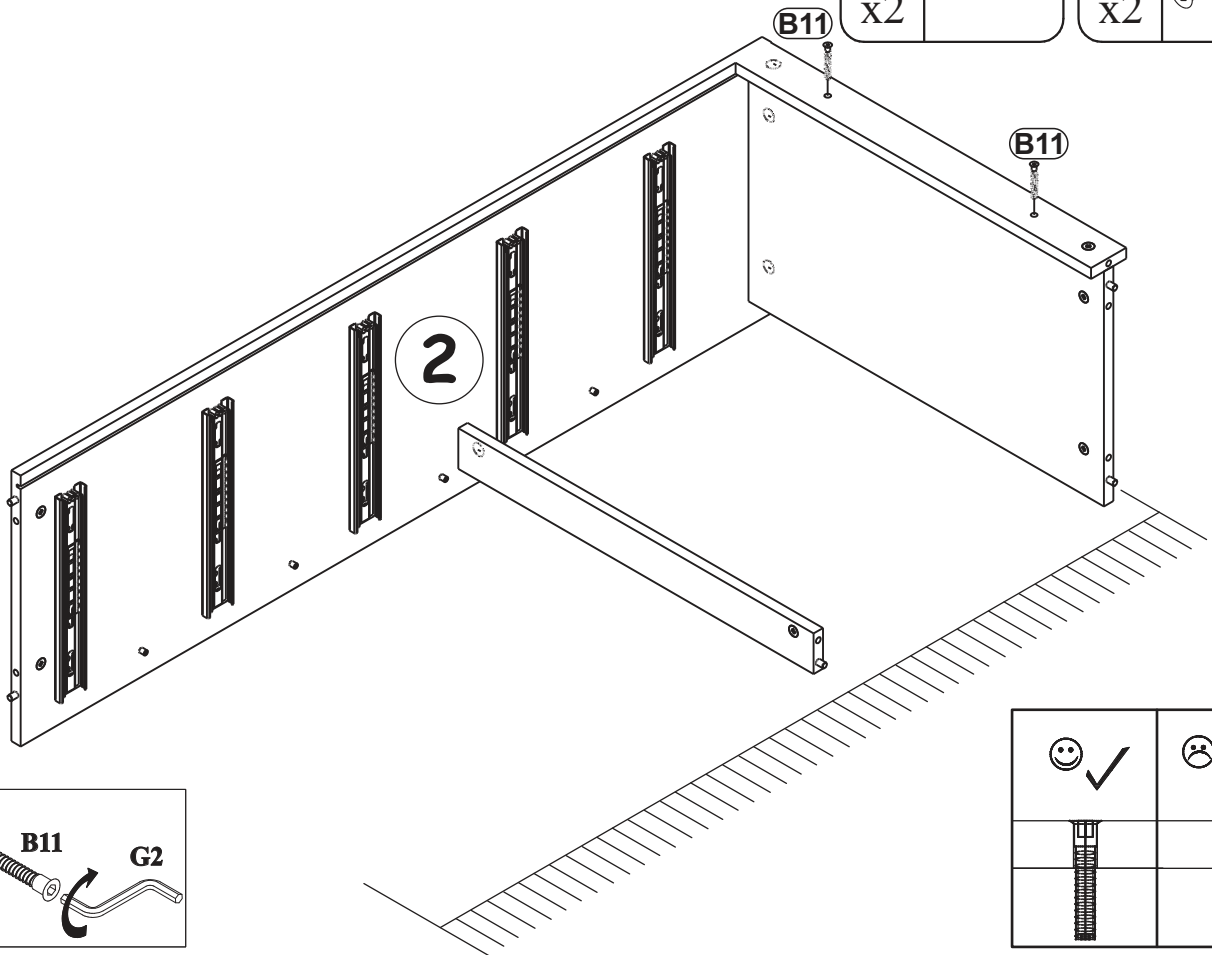
G5	
x4	




13

G4	
x2	

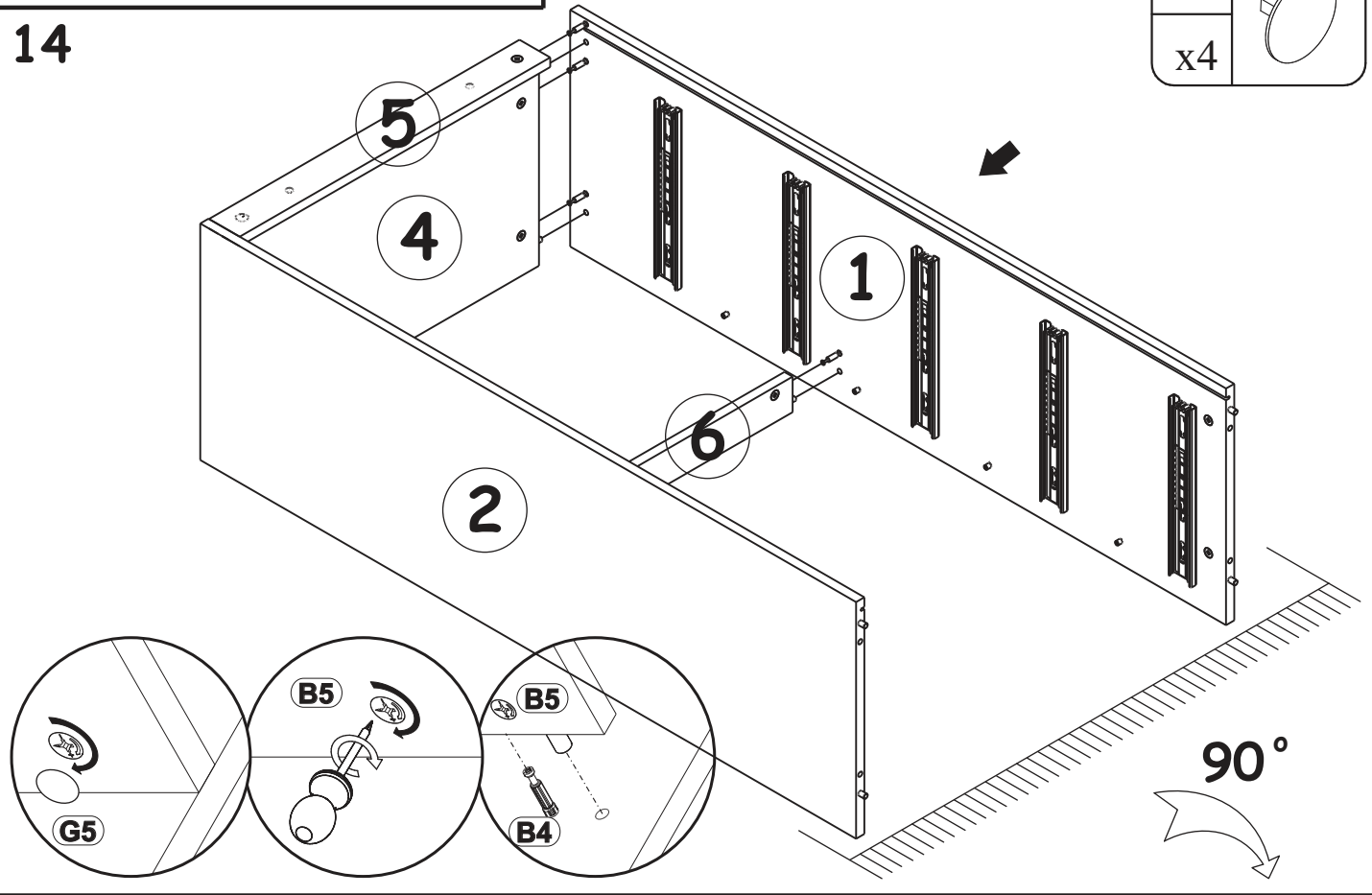
B11	
x2	$\text{Ø}9/32'' \times 1\ 31/32''$ $\text{Ø}7 \times 50$



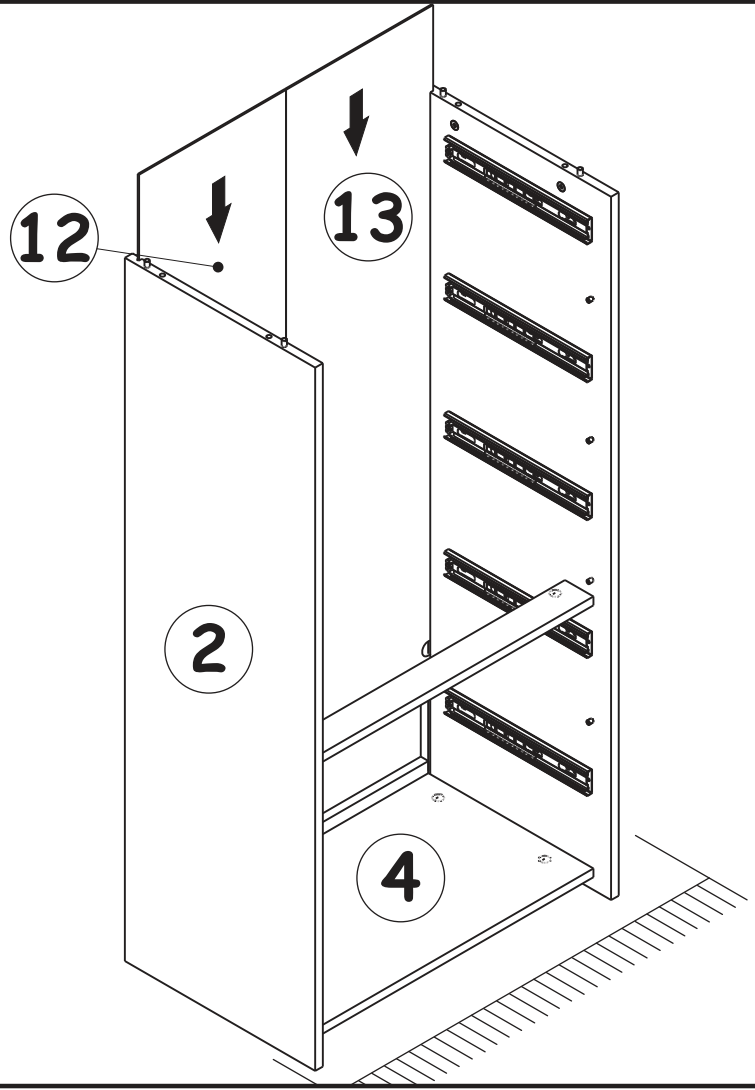
# SIDEBOARD 5DRW

G5	
x4	

14

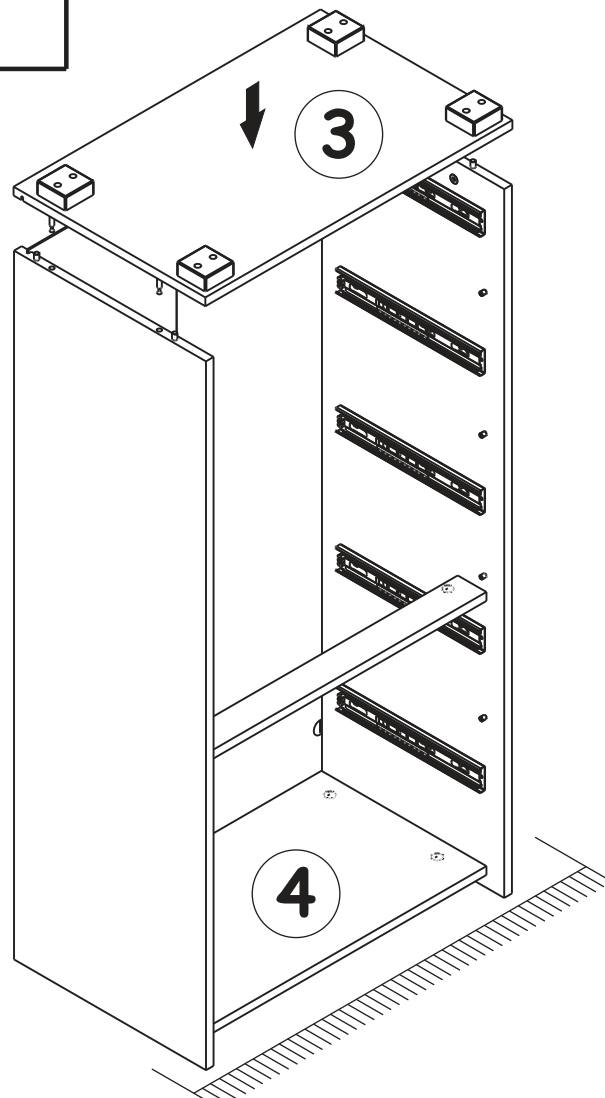



15

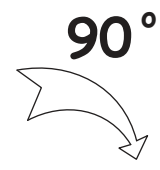


SIDEBOARD 5DRW


16



G5	
x4	

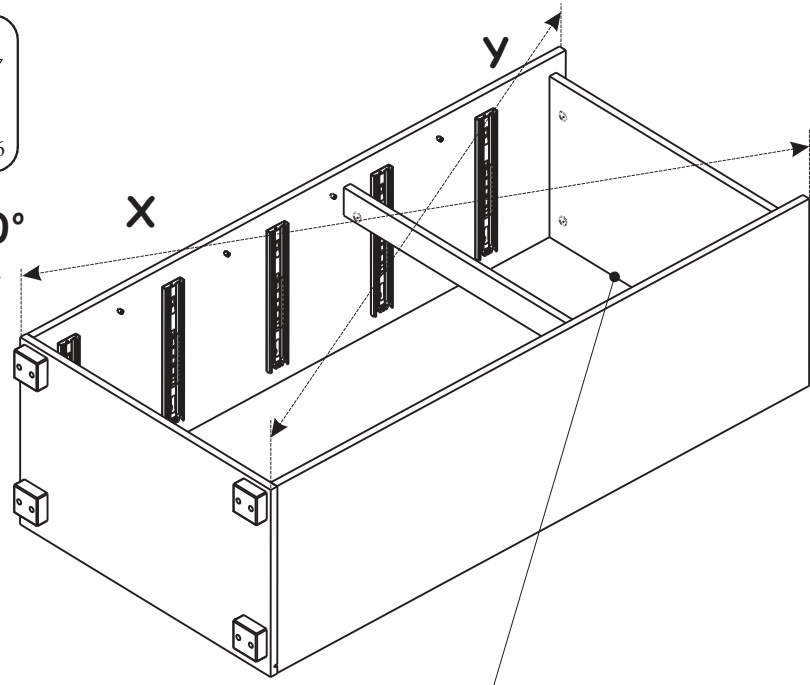


17

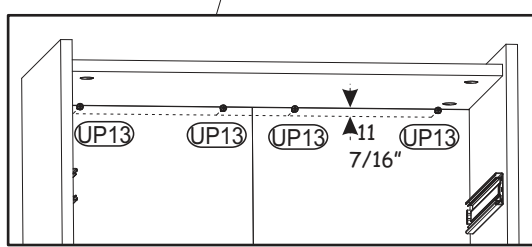
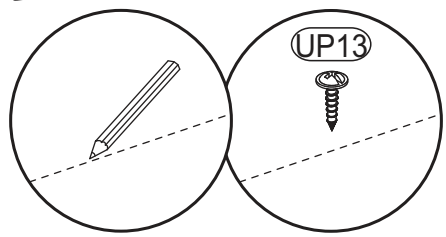
UP13	USØ1/8"x5/8"
x4	
	UPØ3x16



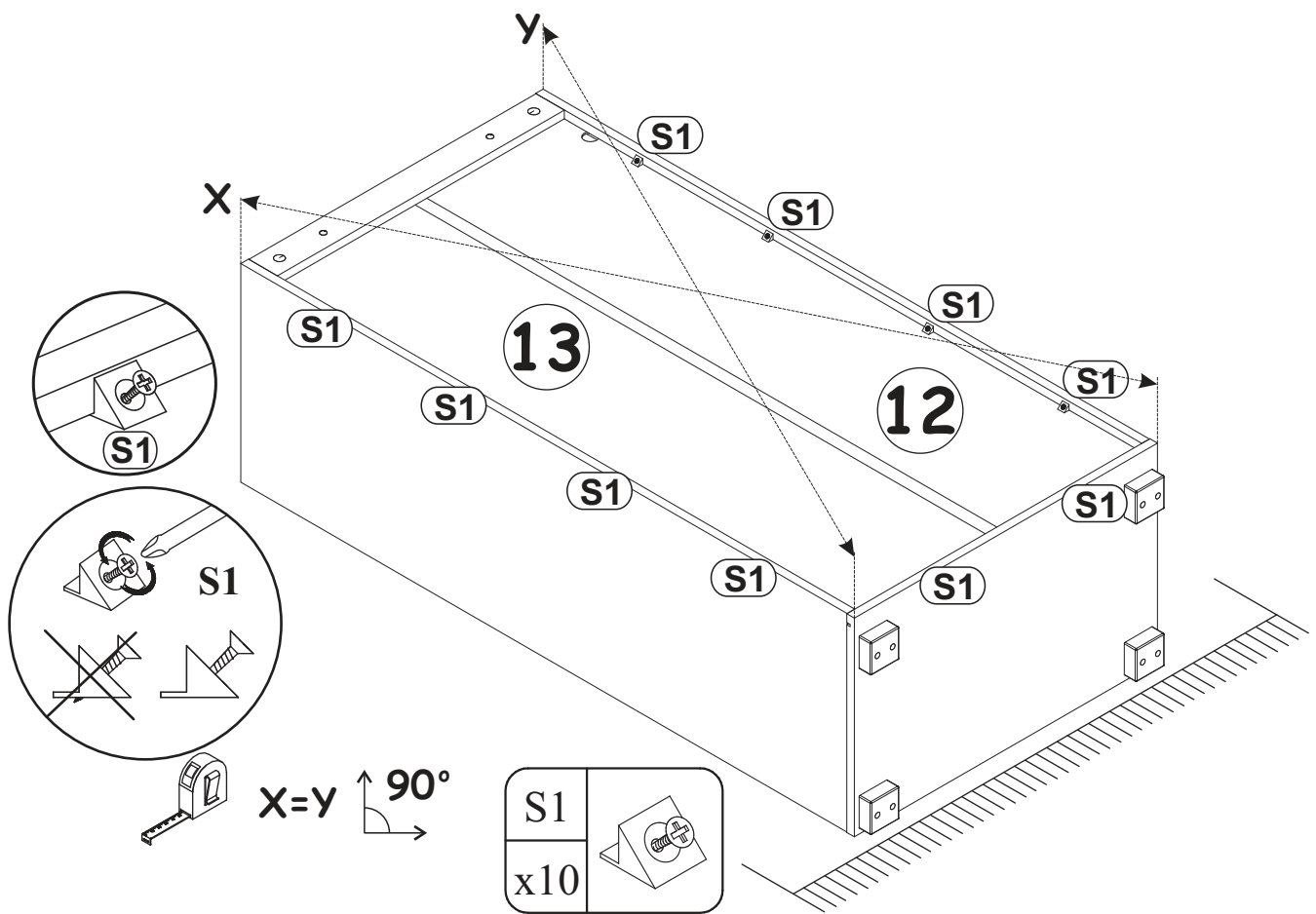
$X=Y$   $90^\circ$



II



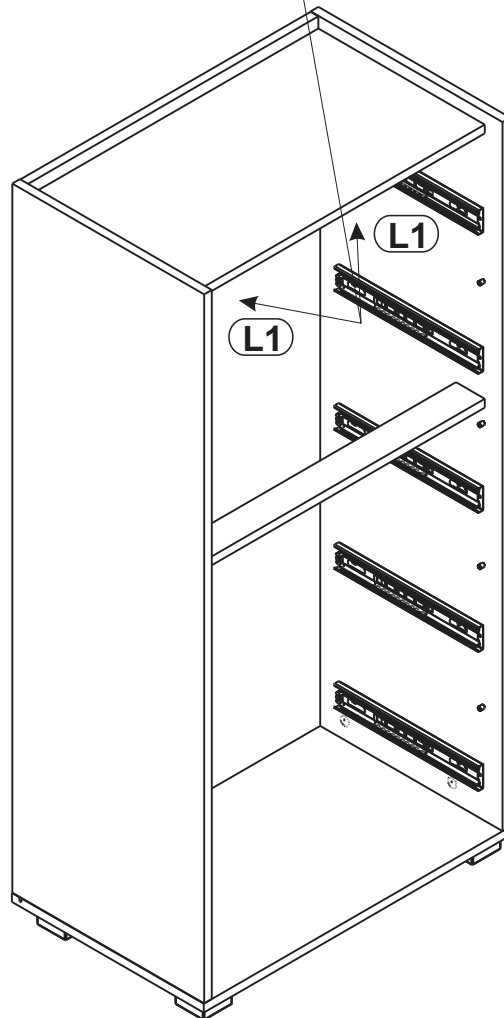
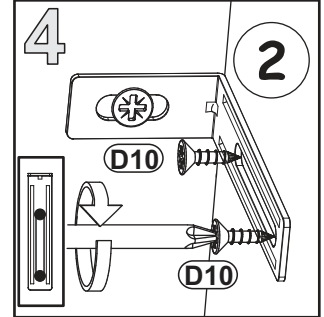
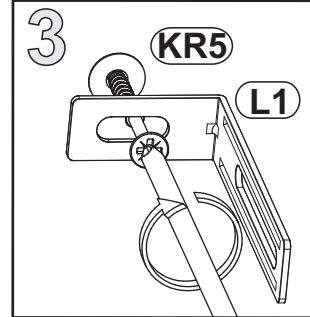
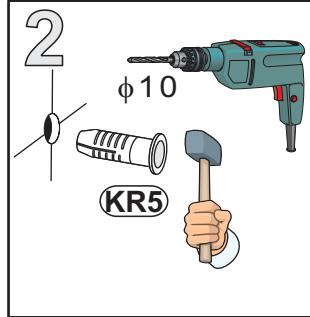
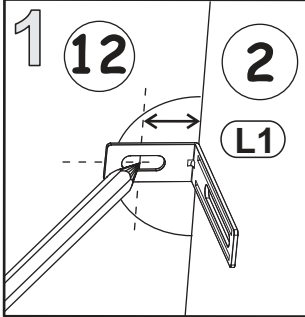
18



# SIDEBORD 5DRW

19

<b>D10</b> x4	USØ9/64"x33/64" USØ3,5x13	<b>KR5</b> SFXP x2	Ø 25/64"/1 31/32" x2 23/64" Ø10/50x60	<b>L1</b> x2	2 29/32"x1 11/32" x19/32" 74x34x15
------------------	------------------------------	--------------------------	---	-----------------	--





SIDEBOARD 5DRW

20

