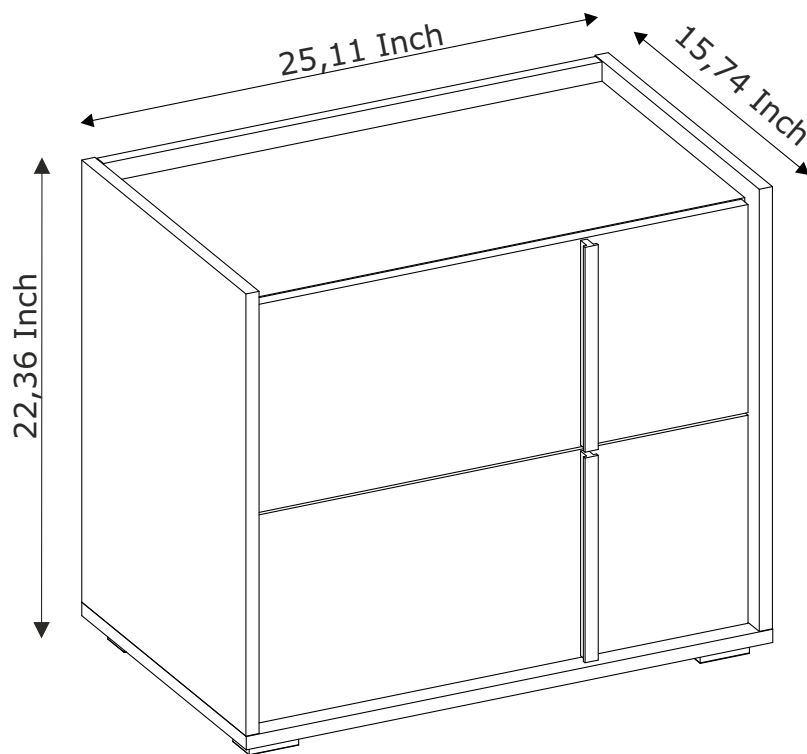
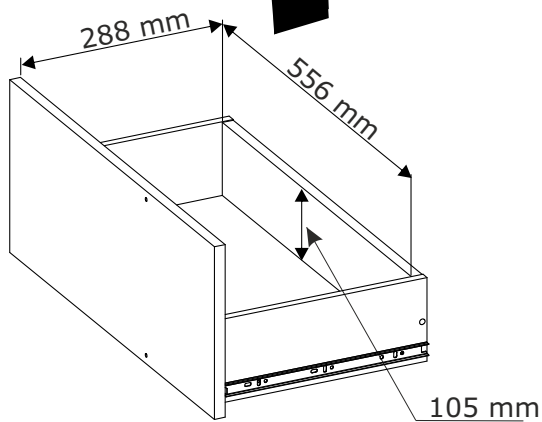
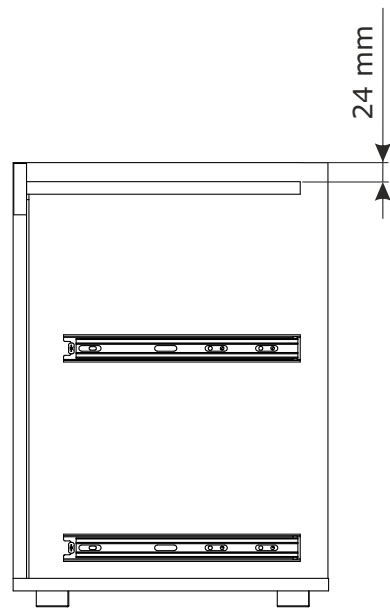
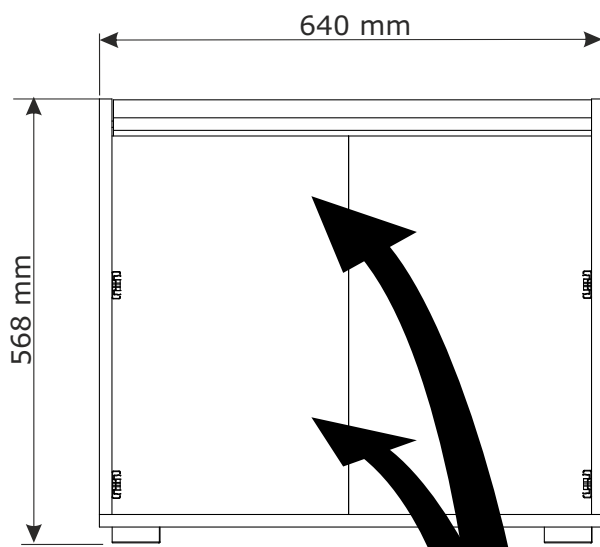
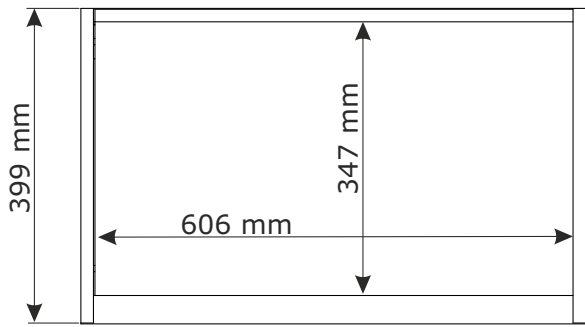
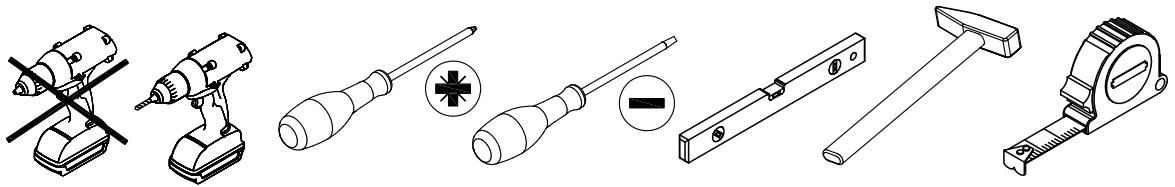


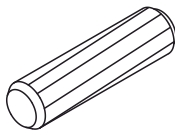
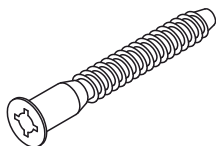

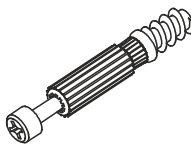
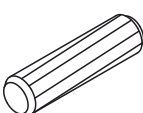
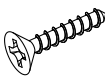
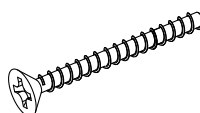


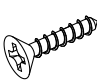
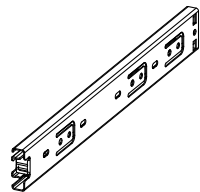
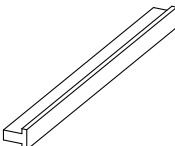

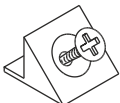
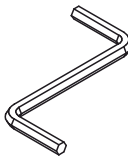
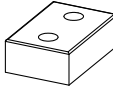
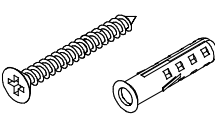

SKY NIGHTSTAND

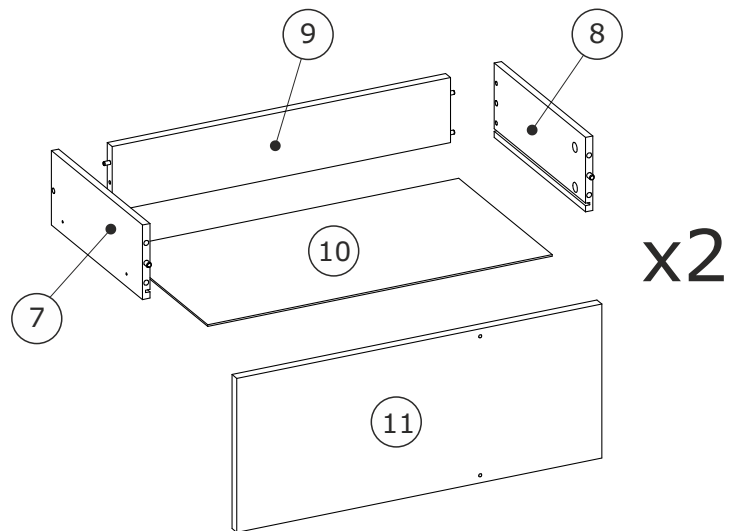
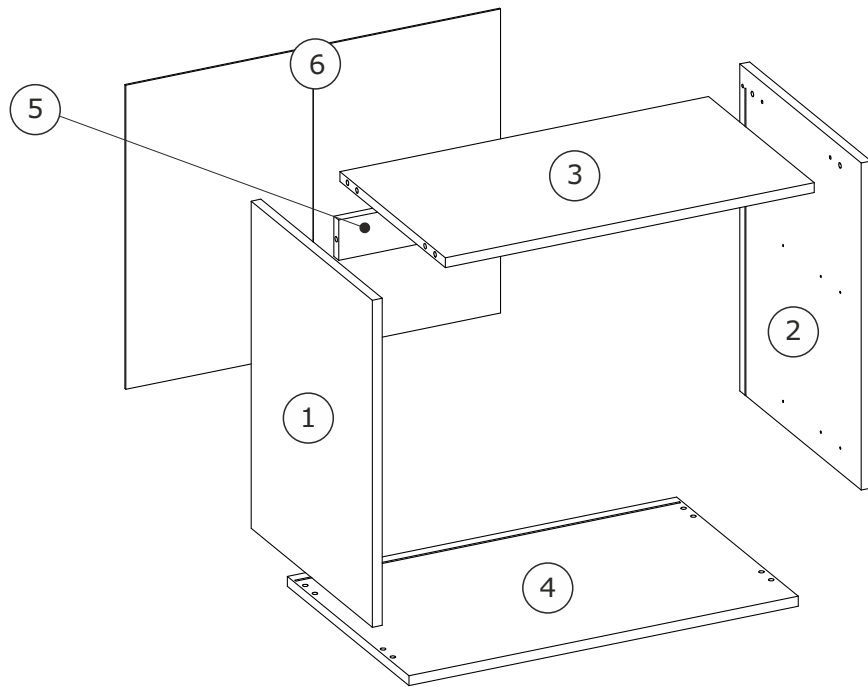
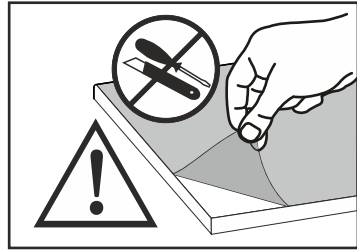
CONCRETE/WHITE



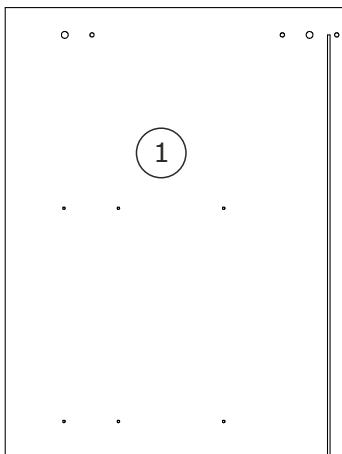




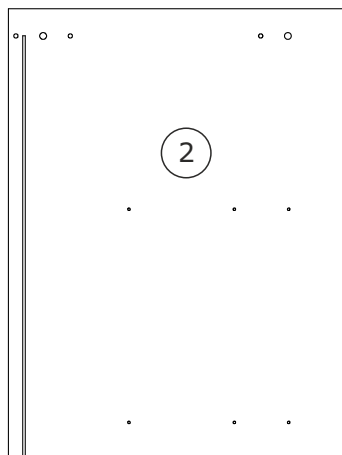
<p>A x 8</p>  <p>Ø8x35 mm</p>	<p>B x 10</p>  <p>Ø7x50 mm</p>	<p>C x 6</p>  <p>Ø15x12 mm</p>	<p>D x 14</p>  <p>Ø5x44 mm</p>
<p>E x 8</p>  <p>Ø6x30 mm</p>	<p>F x 12</p>  <p>Ø3,5x16 mm</p>	<p>G x 8</p>  <p>Ø4x30 mm</p>	<p>H x 4</p>  <p>Ø4x16 mm</p>
<p>I x 8</p>  <p>Ø3x20 mm</p>	<p>J x 8</p>  <p>Ø3.5x13 mm</p>	<p>K x 4</p>  <p>300x35x13 mm</p>	<p>L x 2</p>  <p>244 mm</p>
<p>L1 x 2</p>  <p>4x27 mm</p>	<p>M x 6</p> 	<p>N x 1</p>  <p>● 4 mm</p>	<p>O x 4</p>  <p>60x60x25 mm</p>
<p>P x 1</p> 	<p>Q x 8</p>  <p>Ø 15x10 mm</p>		



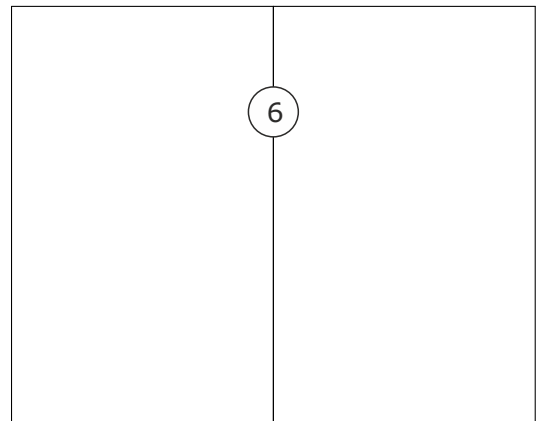
BOX 1/1:



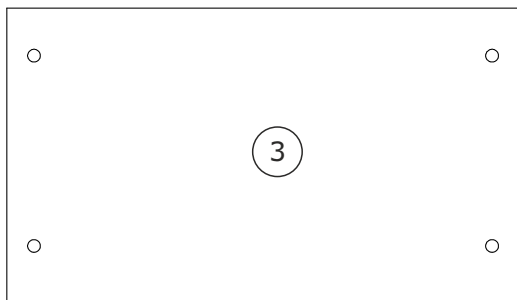
20 3/4x15 45/64x5/8 Inch



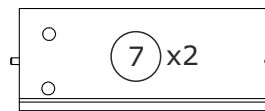
20 3/4x15 45/64x5/8 Inch



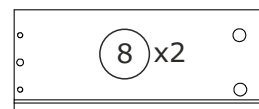
19 19/64x24 1/4x3/32 Inch



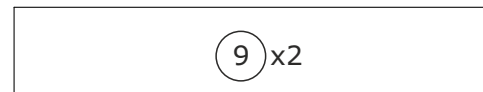
23 55/64x13 21/32x5/8 Inch



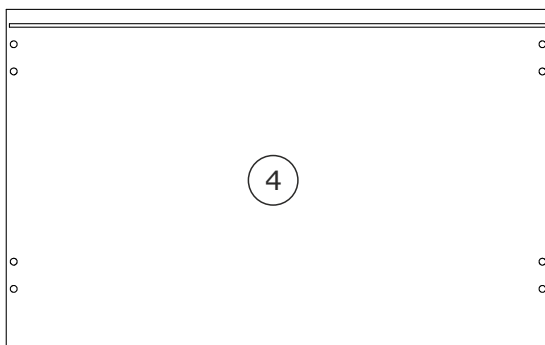
11 13/16x4 23/32x5/8 Inch



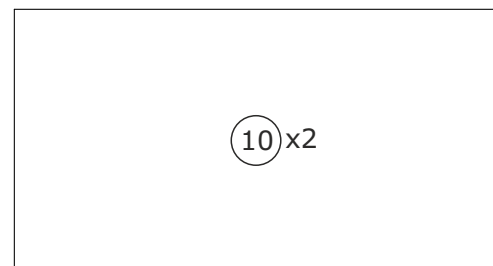
11 13/16x4 23/32x5/8 Inch



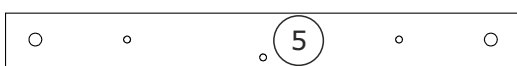
21 57/64x4 9/64x15/32 Inch



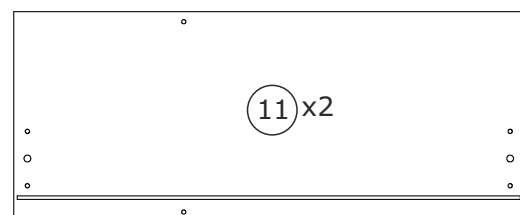
25 13/64x15 3/4x5/8 Inch



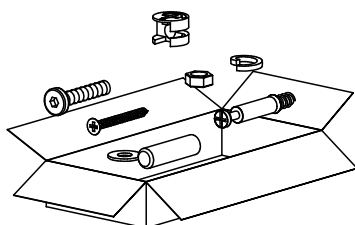
22 9/32x12 3/32x1/8 Inch



23 55/64x2 9/16x5/8 Inch



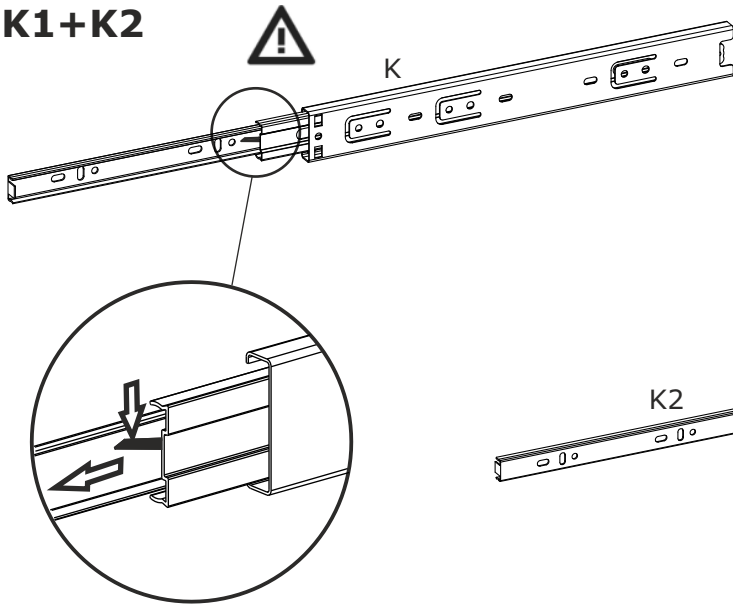
23 5/8x9 49/64x5/8 Inch



1

K x 4
300x35x13 mm

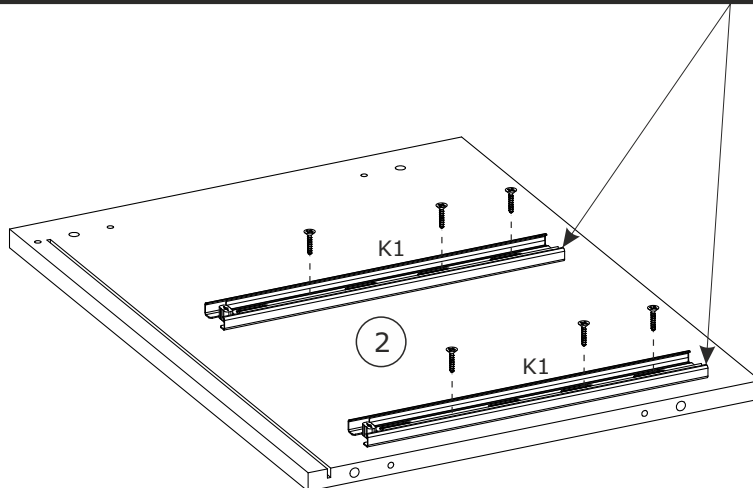
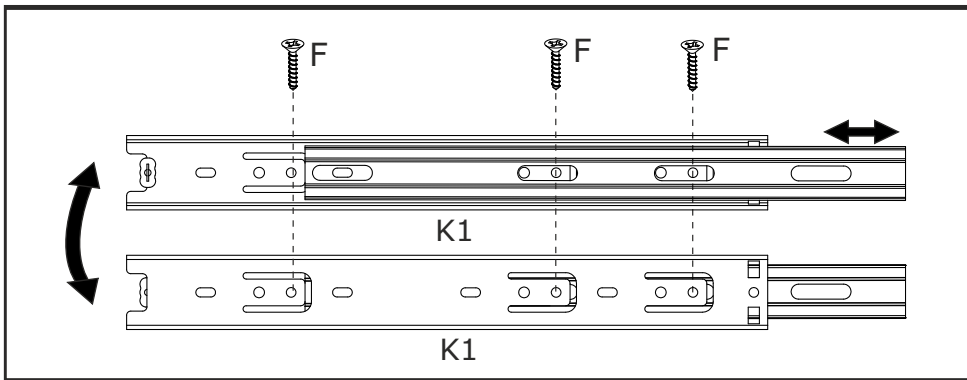
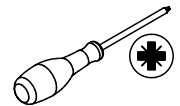
$K = K1 + K2$



2

K1 x 2
300x35x11 mm

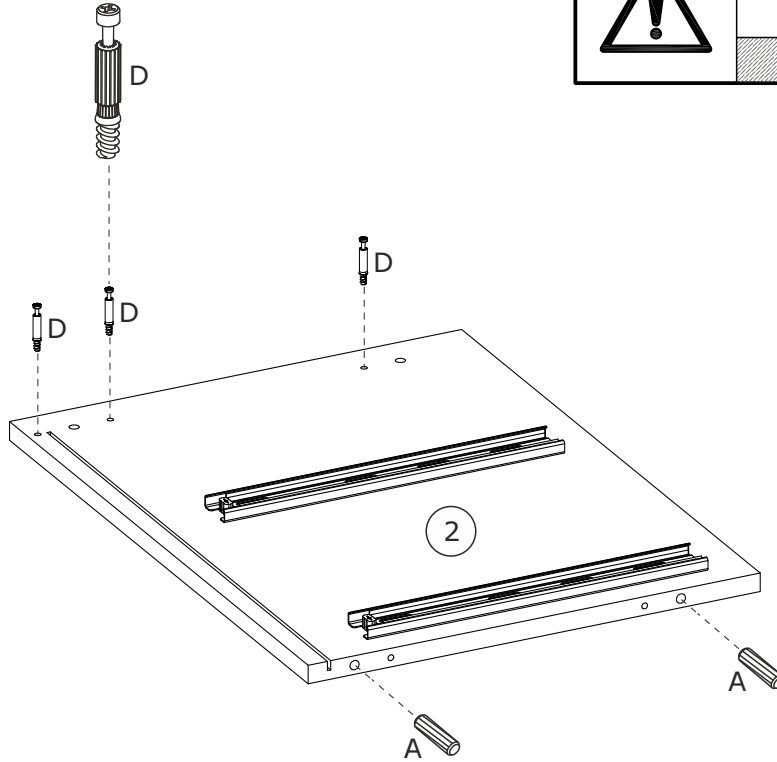
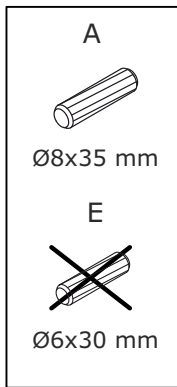
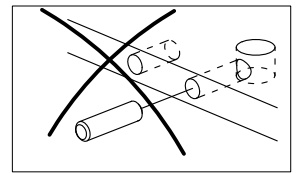
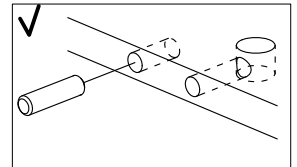
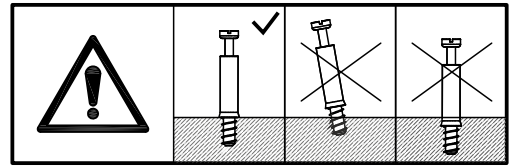
F x 6
Ø3.5x16 mm



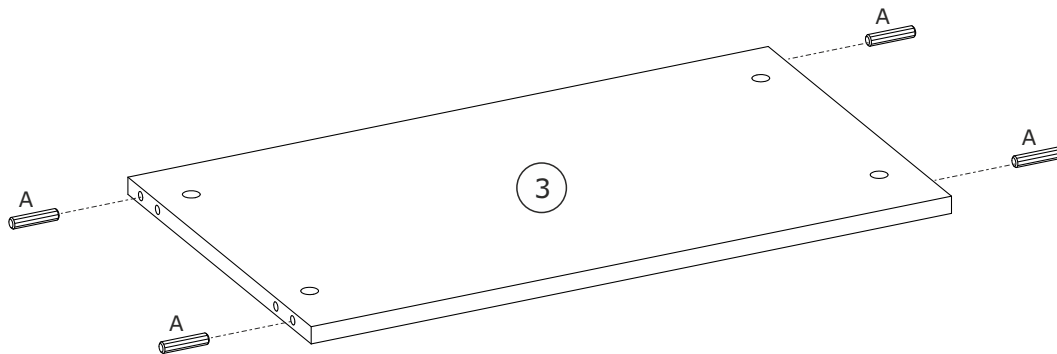
F
Ø3.5x16 mm

J
Ø3.5x13 mm

3

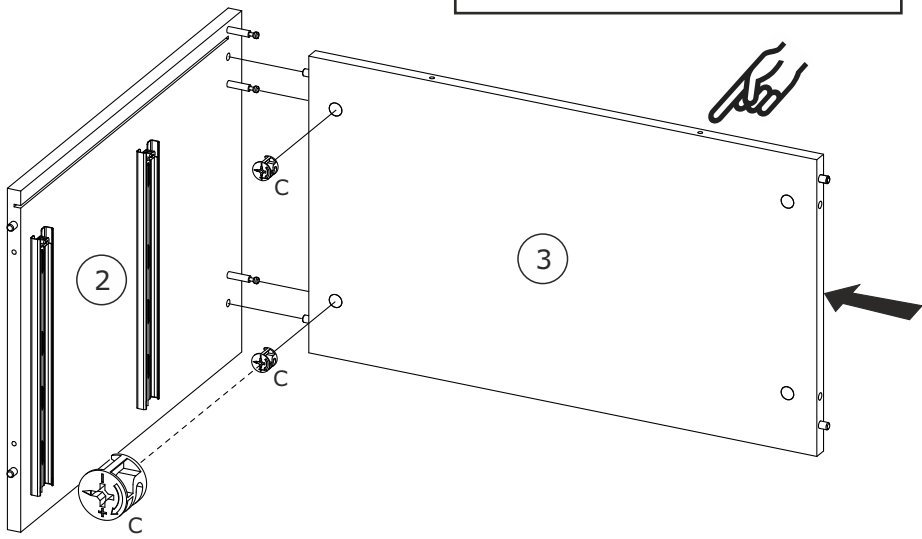
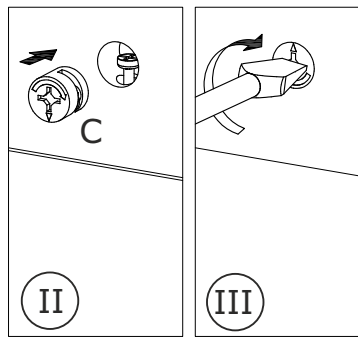
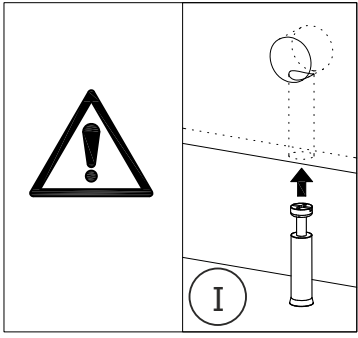
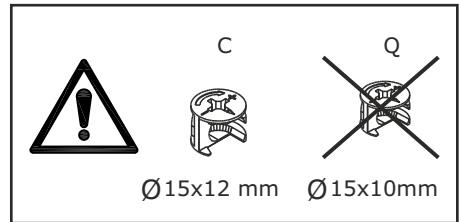
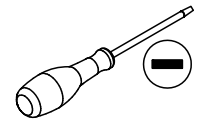


4



5

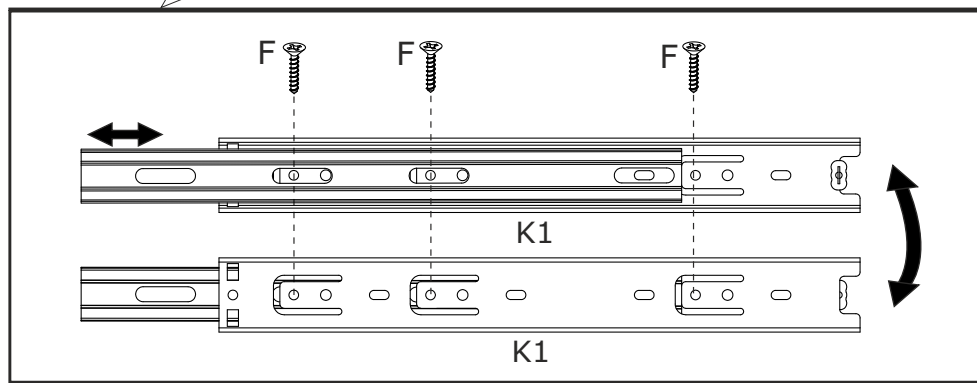
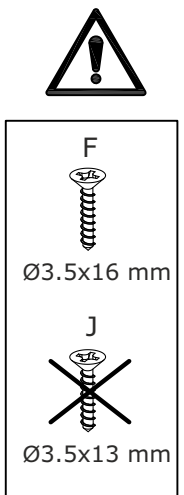
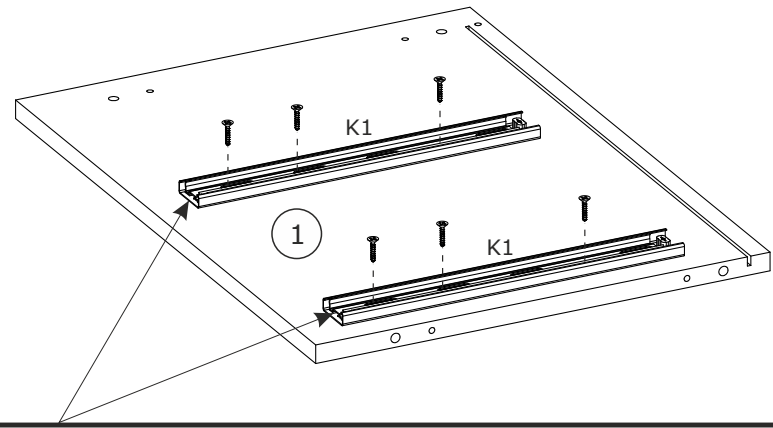
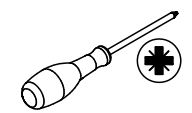
C x 2
Ø15x12 mm



6

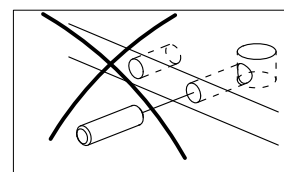
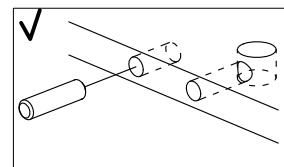
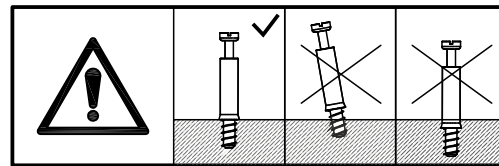
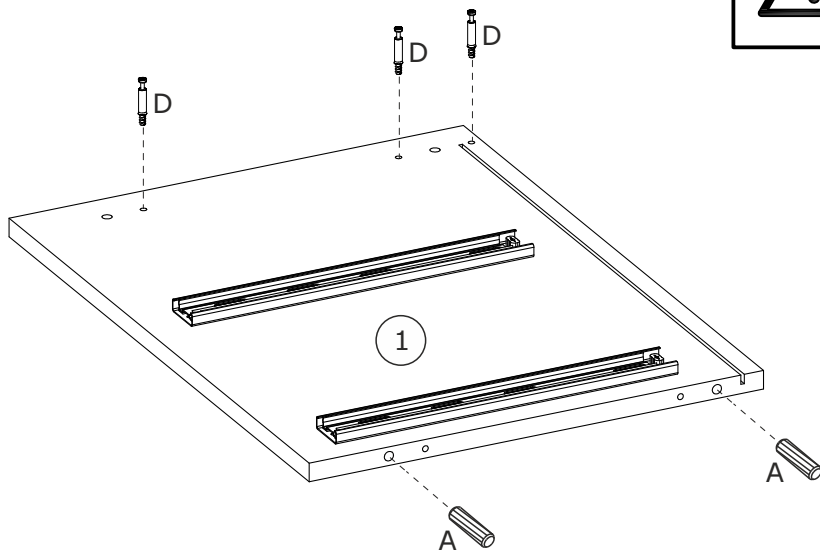
K1 x 2
300x35x11 mm

F x 6
Ø3.5x16 mm






7

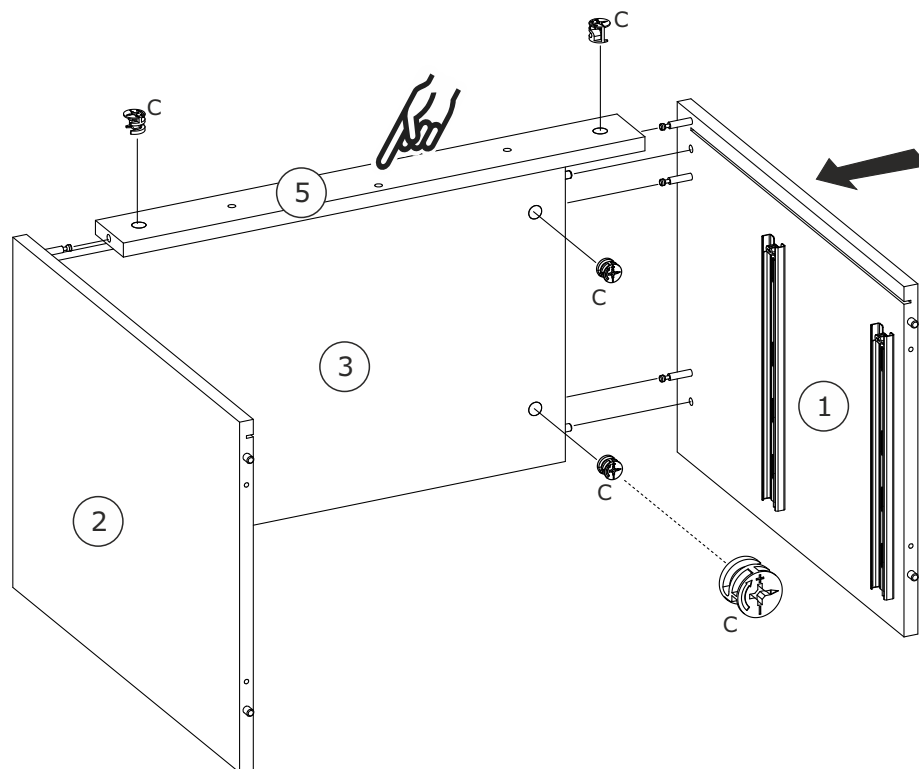
A x 2  Ø8x35 mm	D x 3  Ø5x44 mm	
--	--	---



8

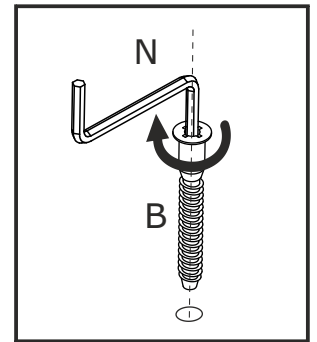
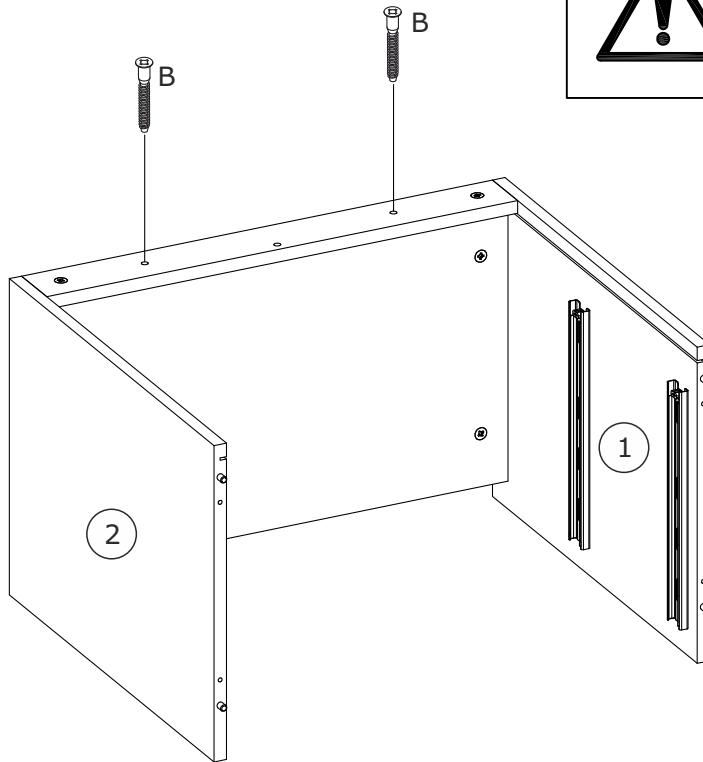
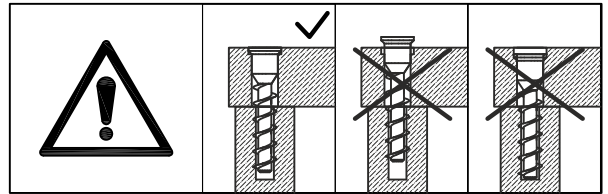
C x 4  Ø15x12 mm	
---	---


C  Ø15x12 mm
Q  Ø15x10mm

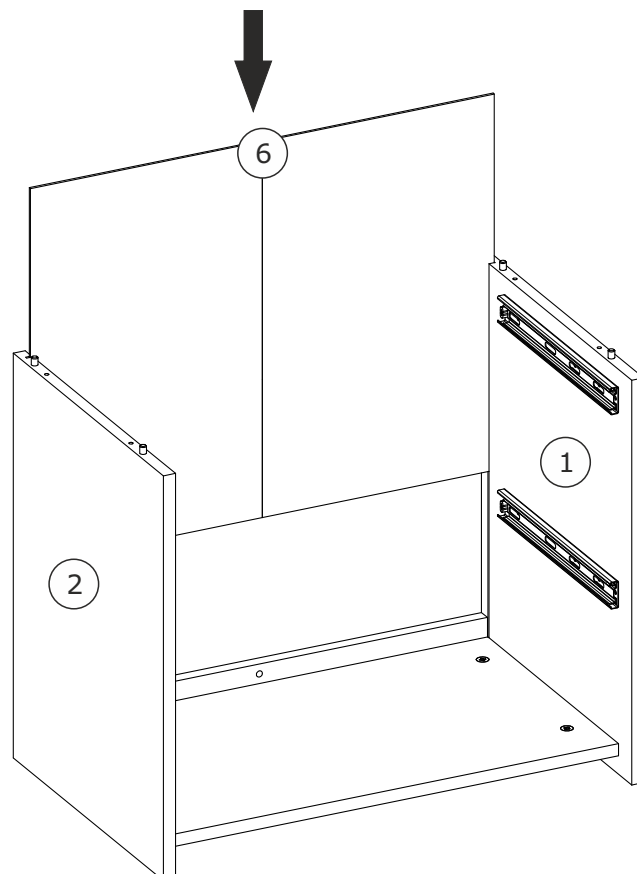


9

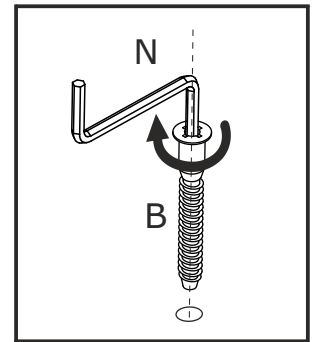
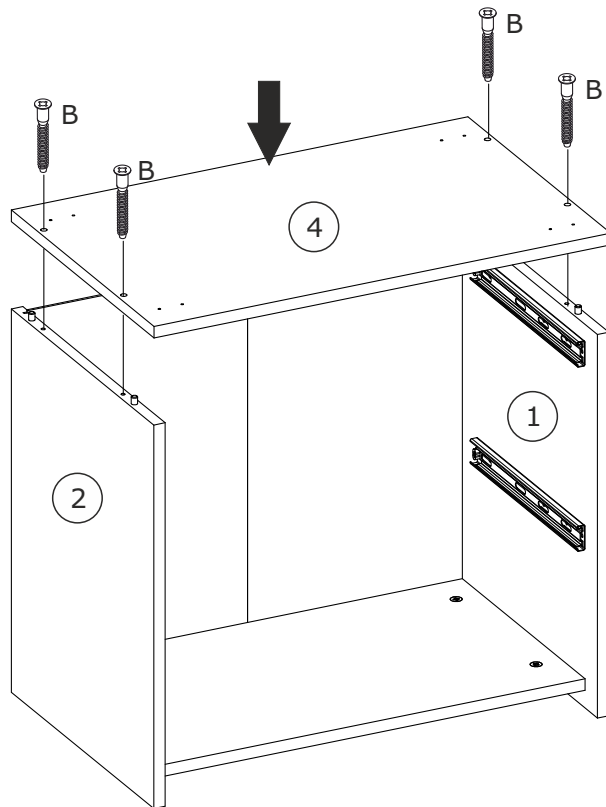
<p>B x 2</p>  <p>Ø7x50 mm</p>	<p>N x 1</p>  <p>● 4 mm</p>	
--	--	--



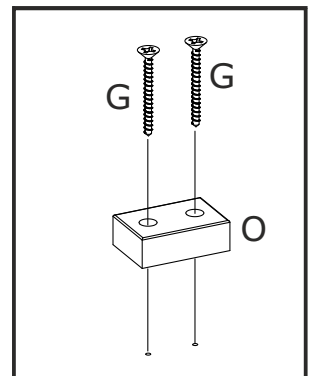
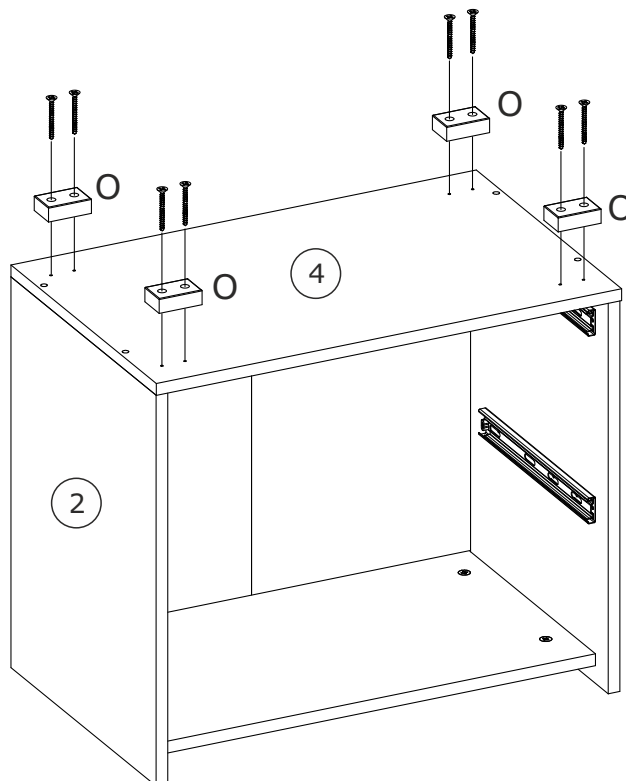
10



11

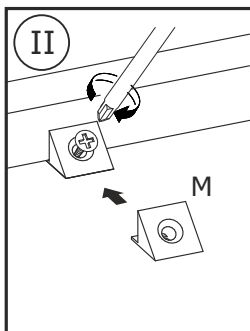
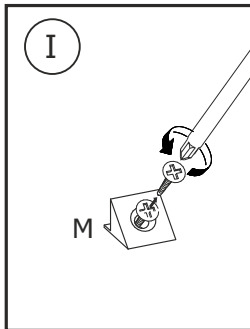
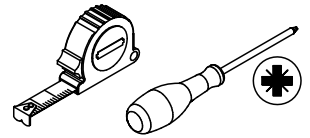



12

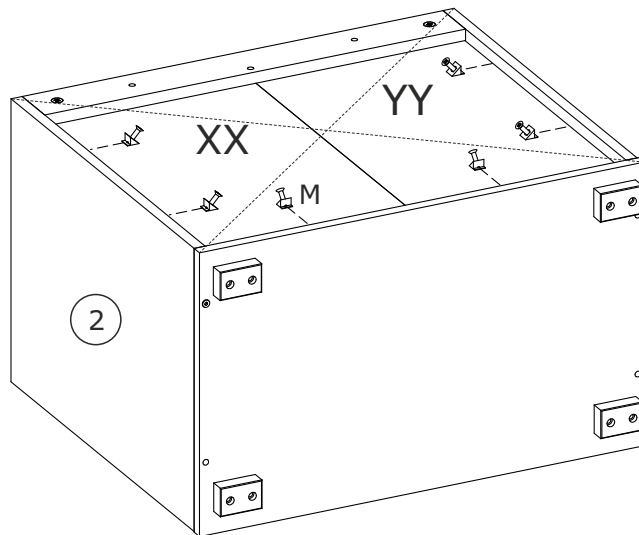


13

M x 6



 $XX = YY \equiv 90^\circ$

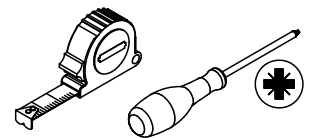


14

H x 4



Ø 4x16 mm



H

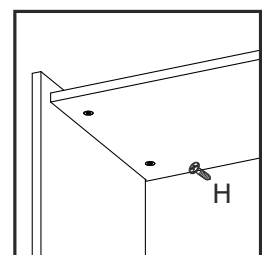
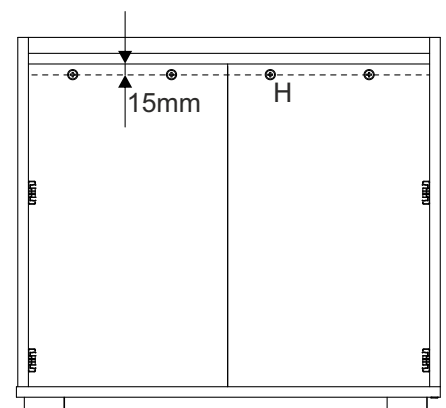
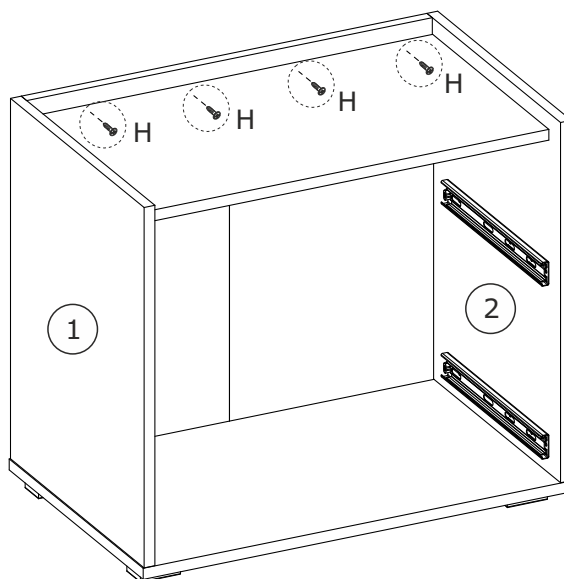


Ø4x16 mm

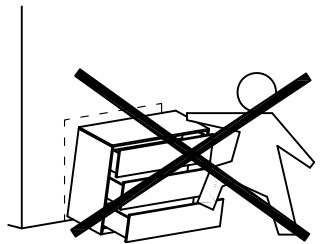
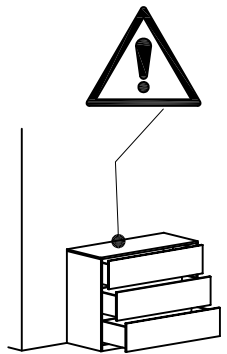
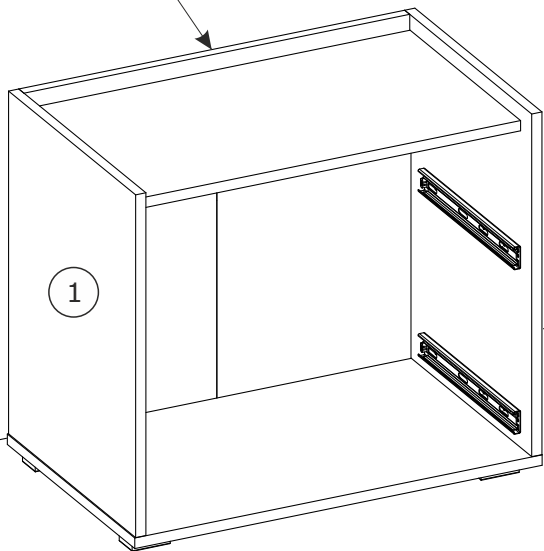
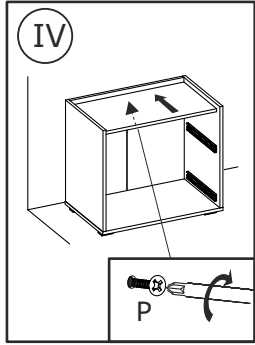
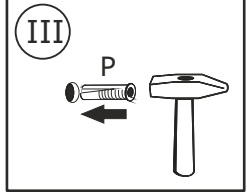
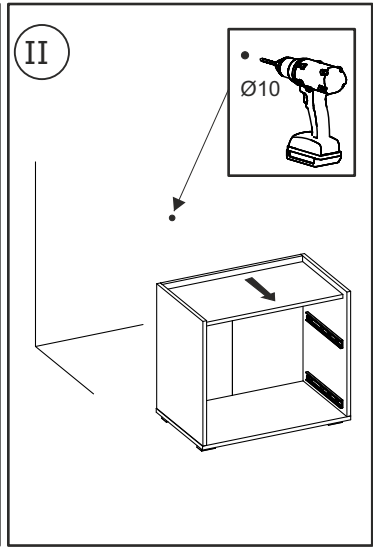
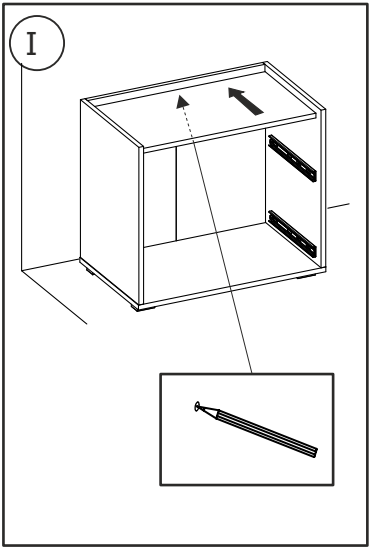
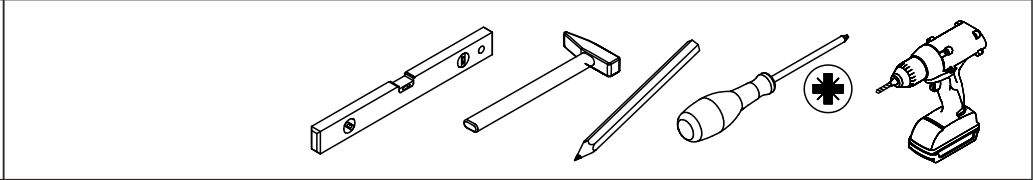
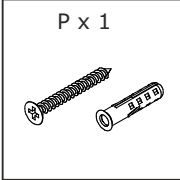
I



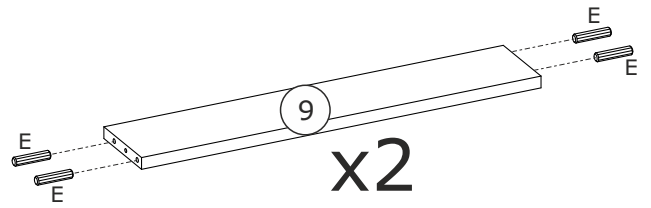
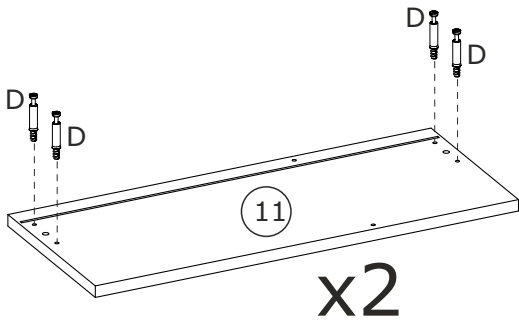
Ø3x20mm



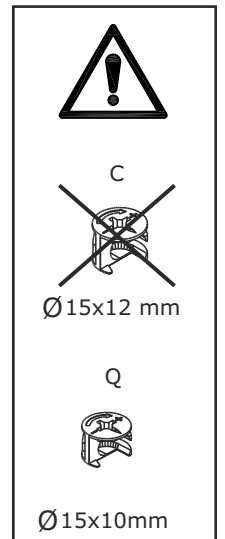
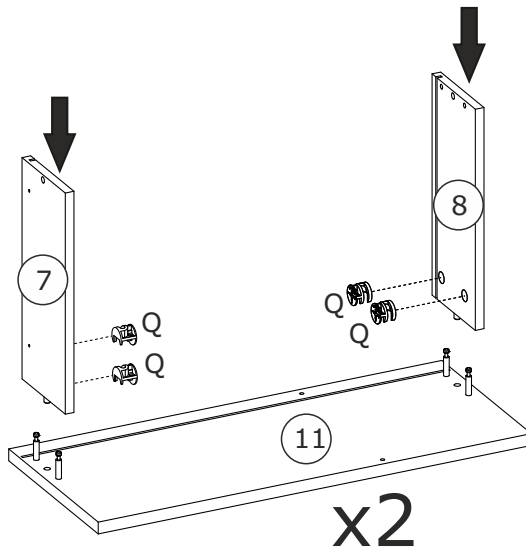
15



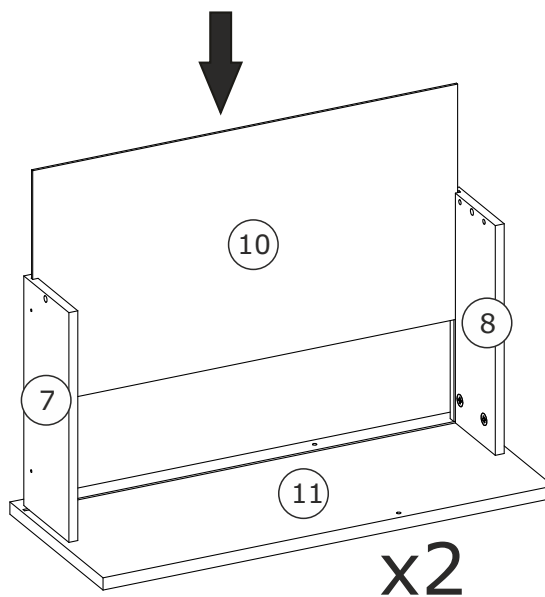
16



17

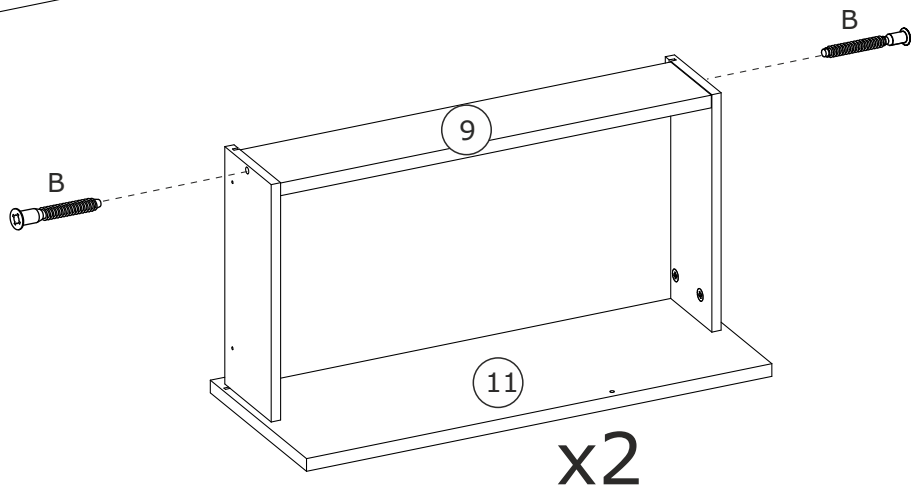
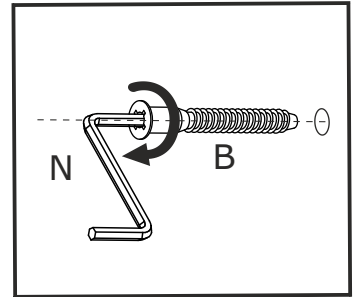
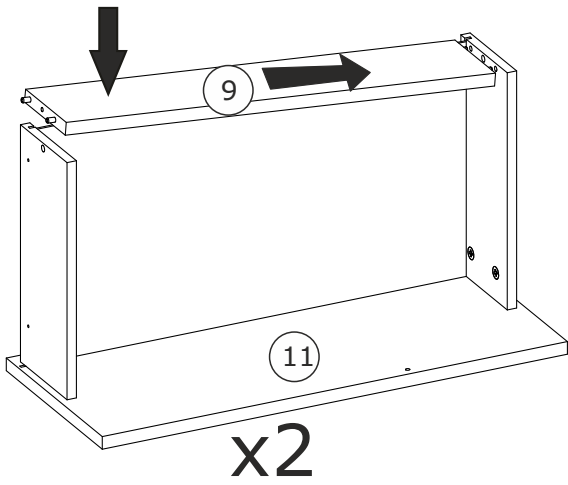


18




19

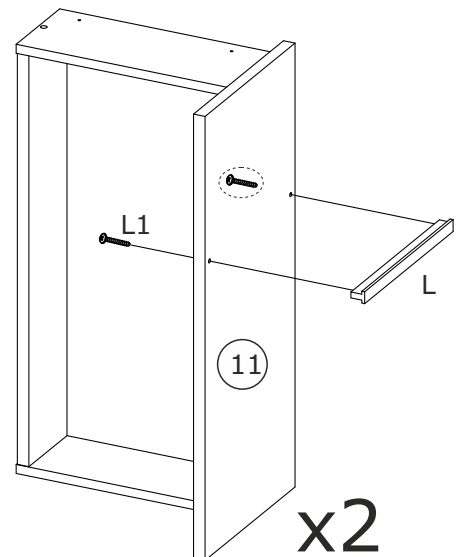
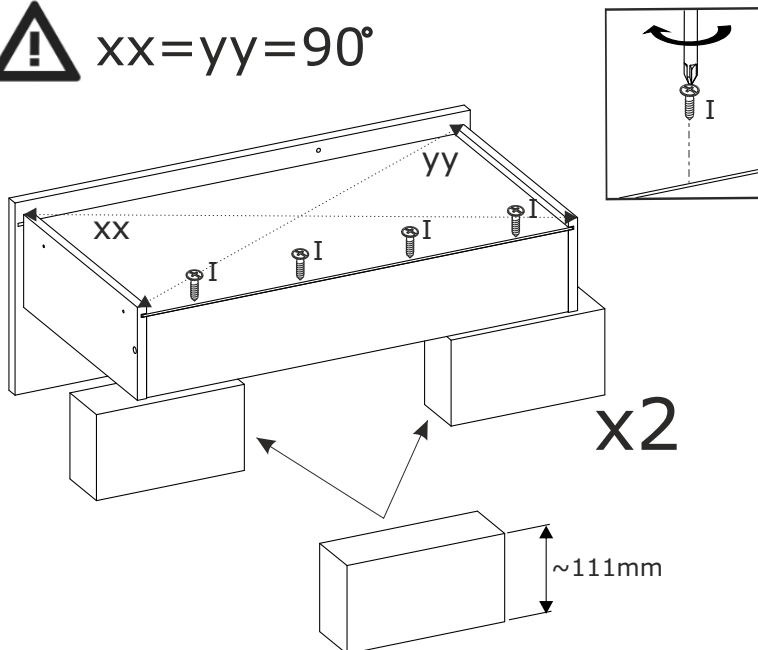
<p>B x 4</p>  <p>Ø7x50 mm</p>	<p>N x 1</p>  <p>● 4 mm</p>	
--	--	--



20

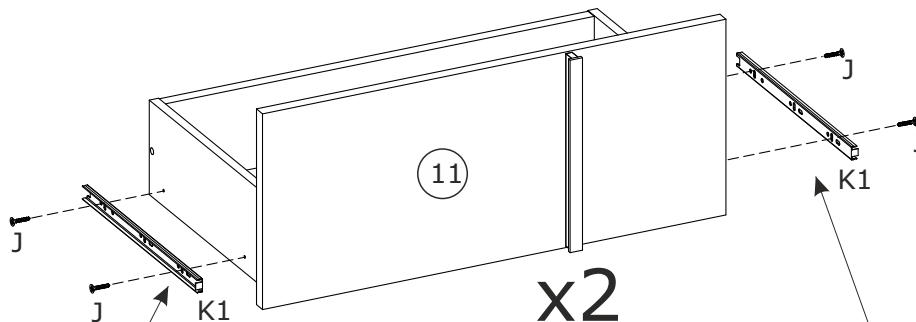
<p>I x 8</p>  <p>Ø 3x20 mm</p>	<p>L x 2</p>  <p>244 mm</p>	<p>L1 x 2</p>  <p>4x27 mm</p>	 
---	--	--	---



 $xx = yy = 90^\circ$

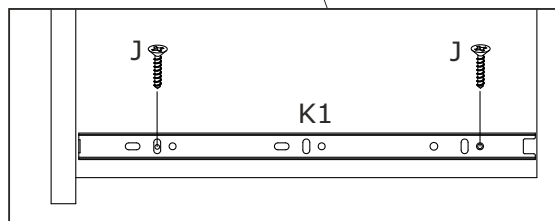
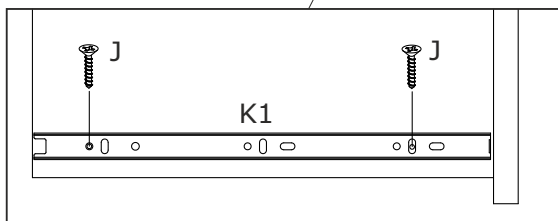


21

<p>K2 x 4 300x35x11 mm</p> 	<p>J x 8 Ø3.5x13 mm</p> 	
--	---	---



<p>F</p>  <p>Ø3.5x16 mm</p>
<p>J</p>  <p>Ø3.5x13 mm</p>



22

			
---	--	---	---

