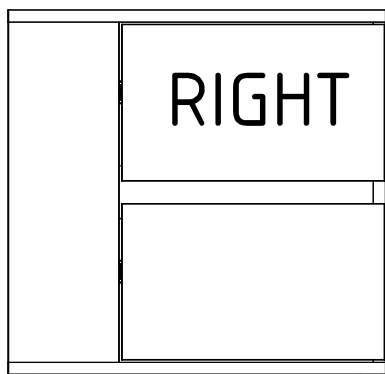


SHADE

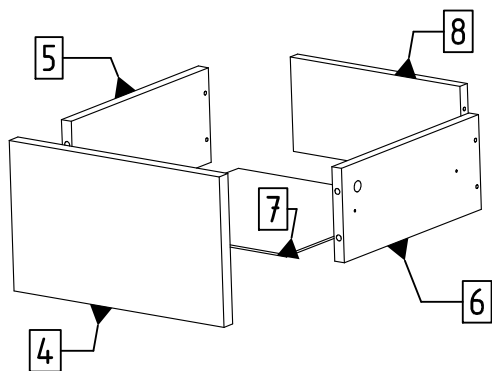
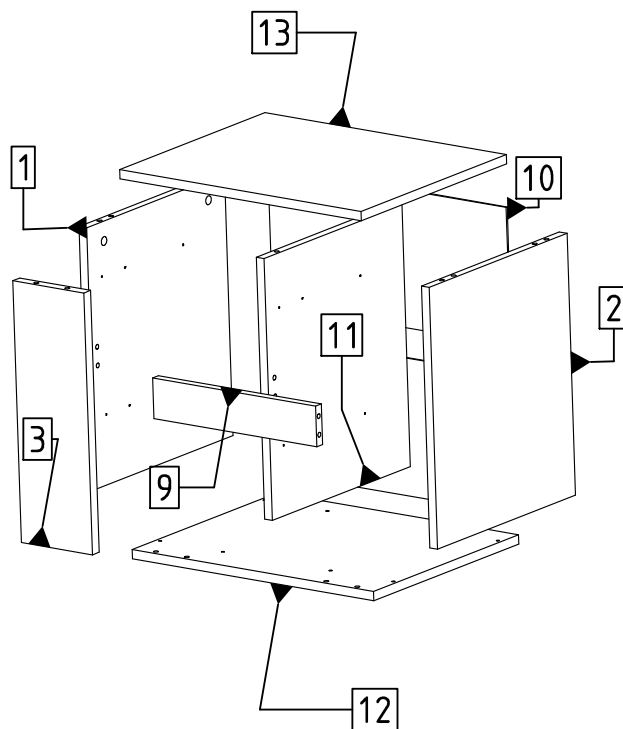
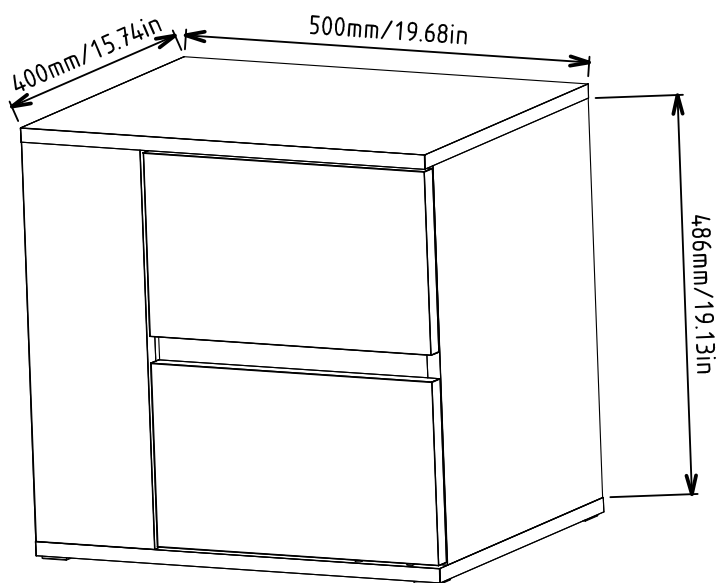
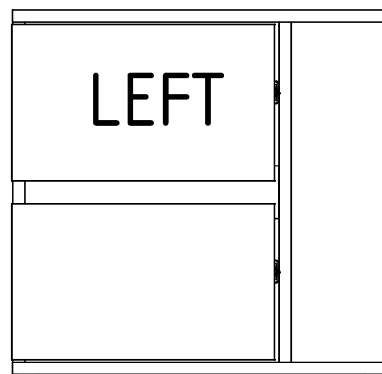
SHADE01

OP-75

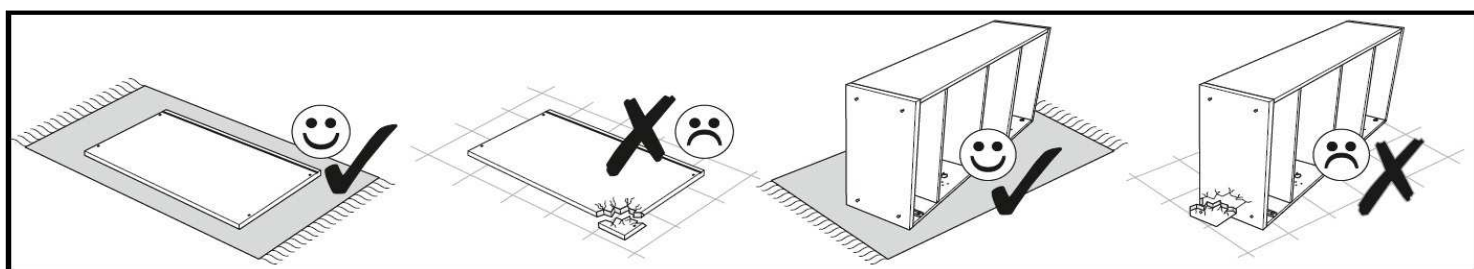
A.



B.

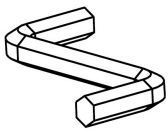
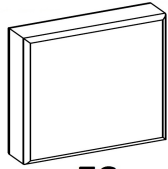
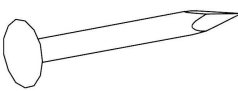
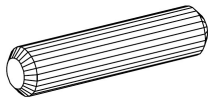
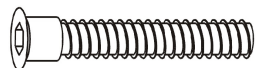

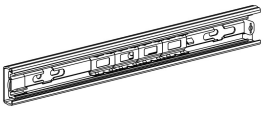
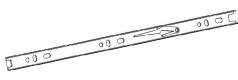
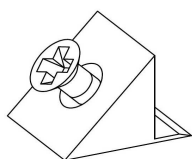
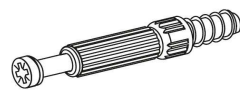
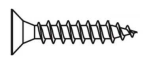
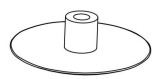


x2



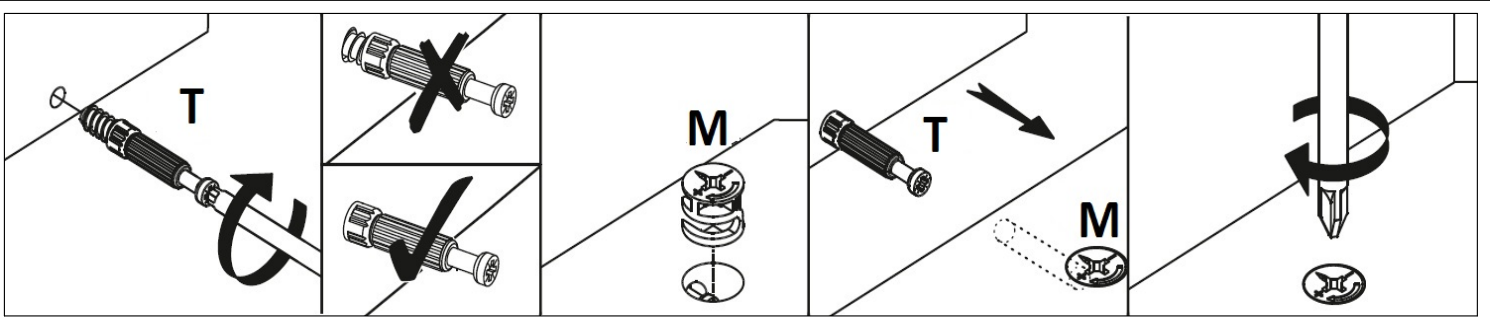
## Table accessories

### SHADE01

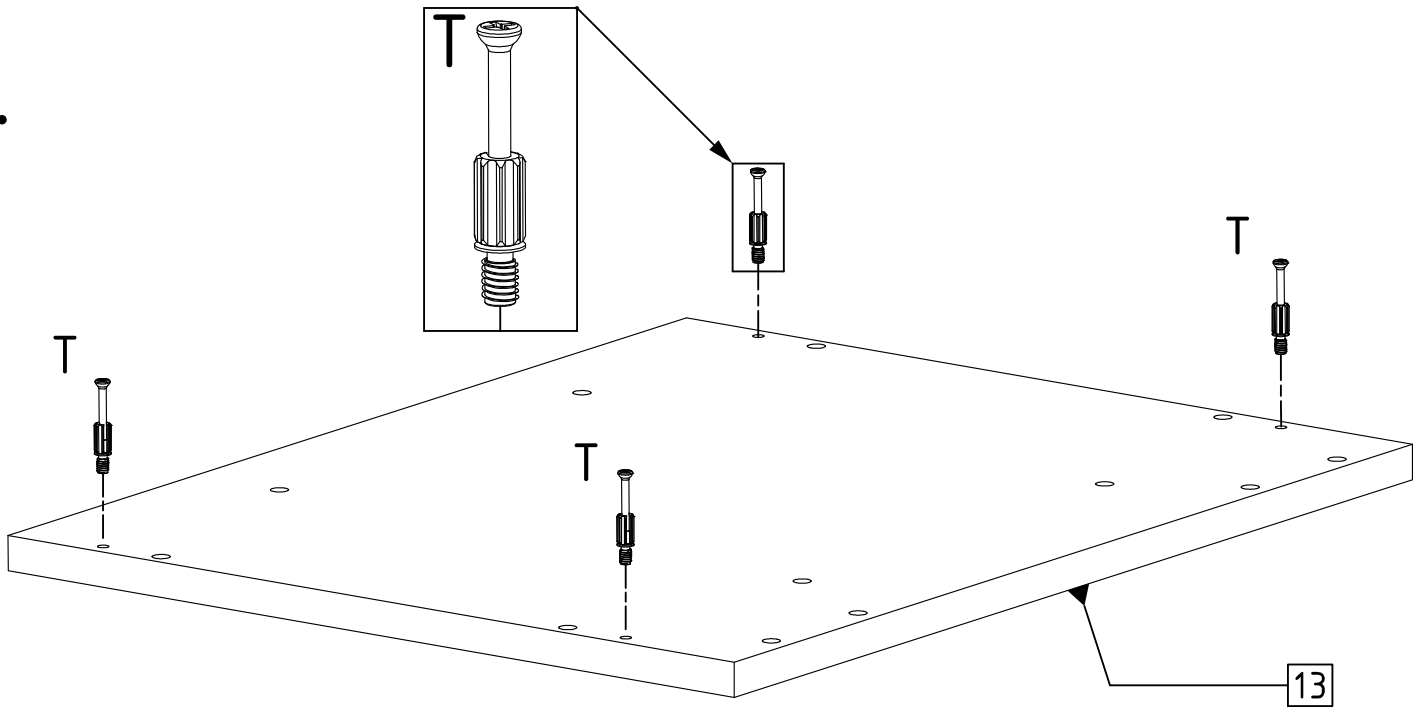
 <b>A1</b>	 <b>FS</b>	 <b>G</b>	8 x 30  <b>K</b>	6,3 X 50  <b>KN</b>
15 x 12  <b>M</b>	<b>L300</b>  <b>PKR</b>	<b>L300</b>  <b>PWK</b>	 <b>ST</b>	6 x 34 mm  <b>T</b>
3 x 16mm  <b>W3</b>	 <b>Z</b>			

Elements				Accessories	
SYMBOL	LENGTH	WIDTH	QUANTITY	SYMBOL	QUANTITY
BL[1]	17.72	14.96	1	A1	1
BP[2]	17.72	14.96	1	FS	4
CB[3]	17.72	5.79	1	G	40
FTS[4]	13.7	8.15	2	K	18
KBL[5]	11.89	5.12	2	KN	14
KBP[6]	11.89	5.12	2	M	8
KD[7]	12.17	12.01	2	PKR_L300	4
KT[8]	11.06	5.12	2	PWK_L300	4
LC[9]	13.27	2.76	1	ST	4
PC[10]	19.41	9.37	2	T	8
PPIO[11]	17.72	14.96	1	W3	20
WD[12]	19.69	15.75	1	Z	8
WG[13]	19.69	15.75	1		

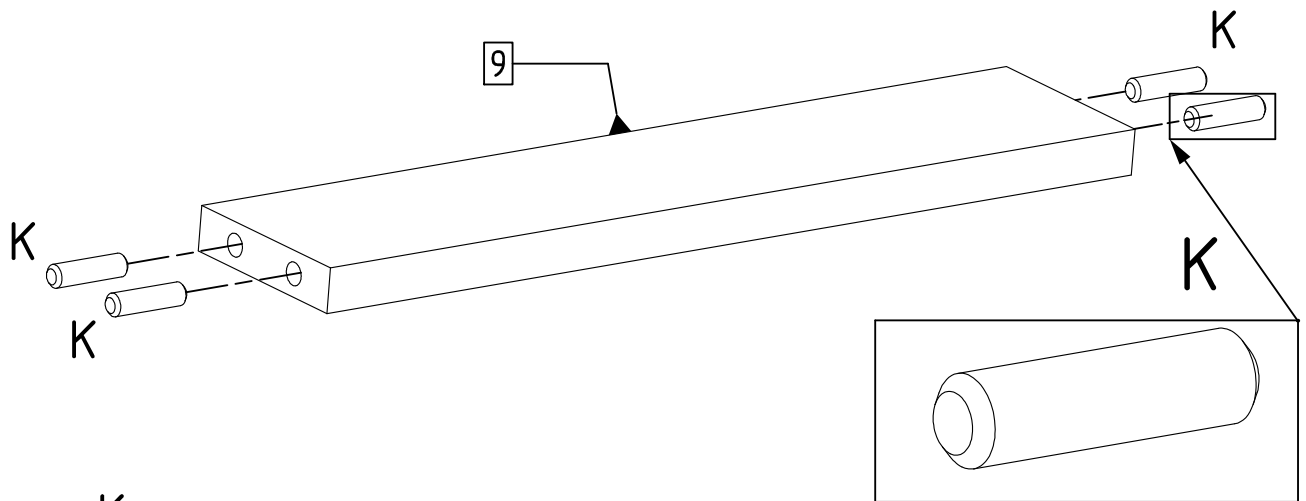




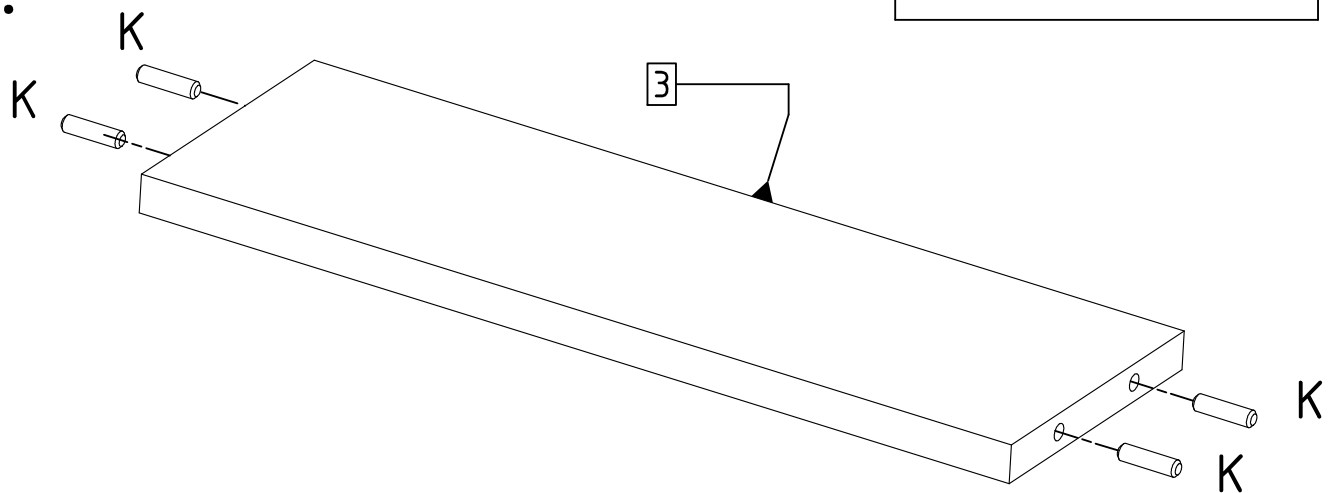
1.



2.

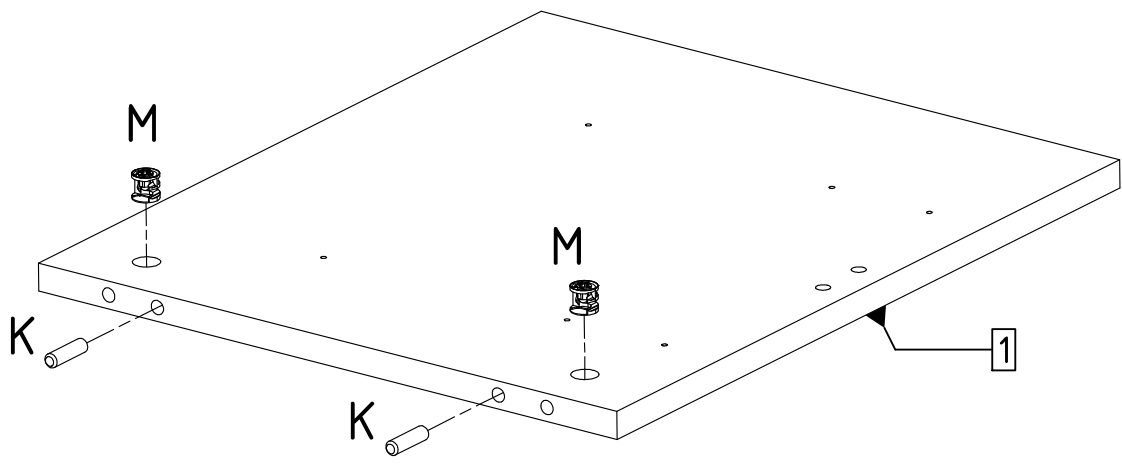


3.

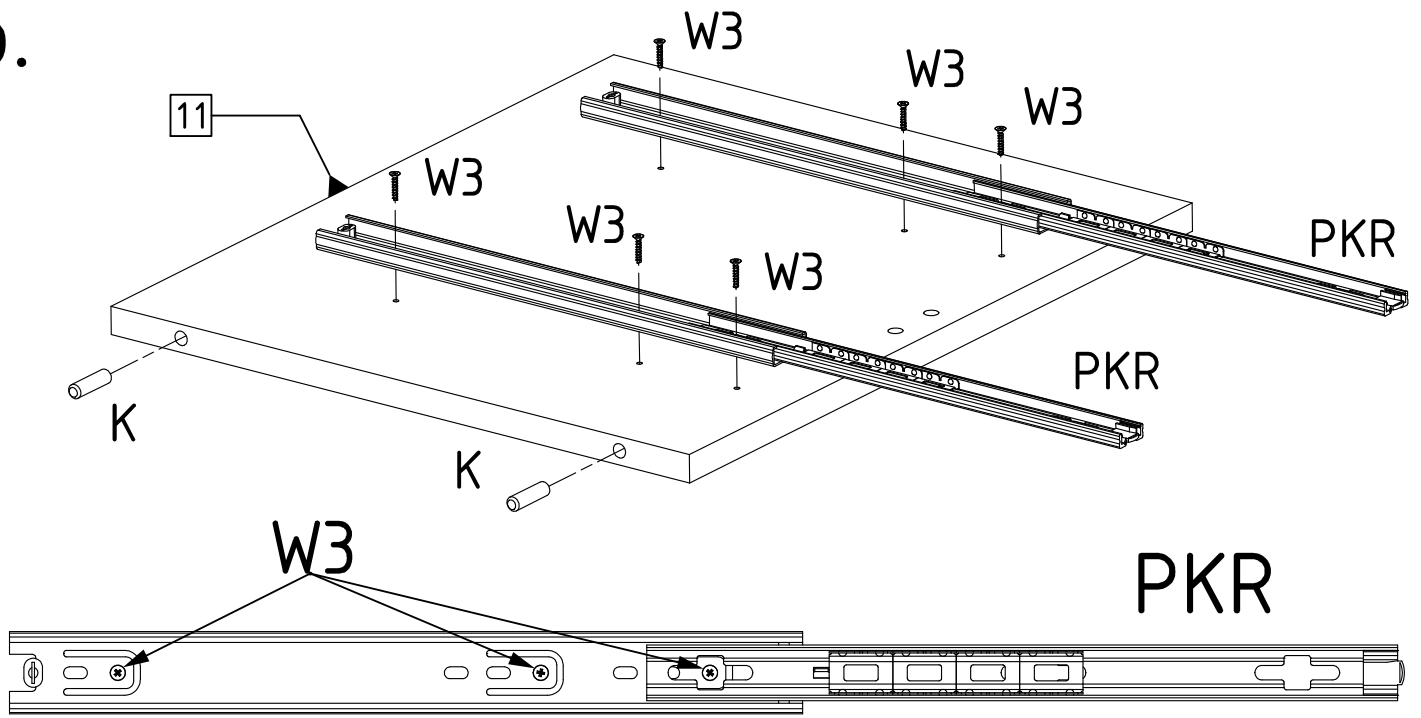




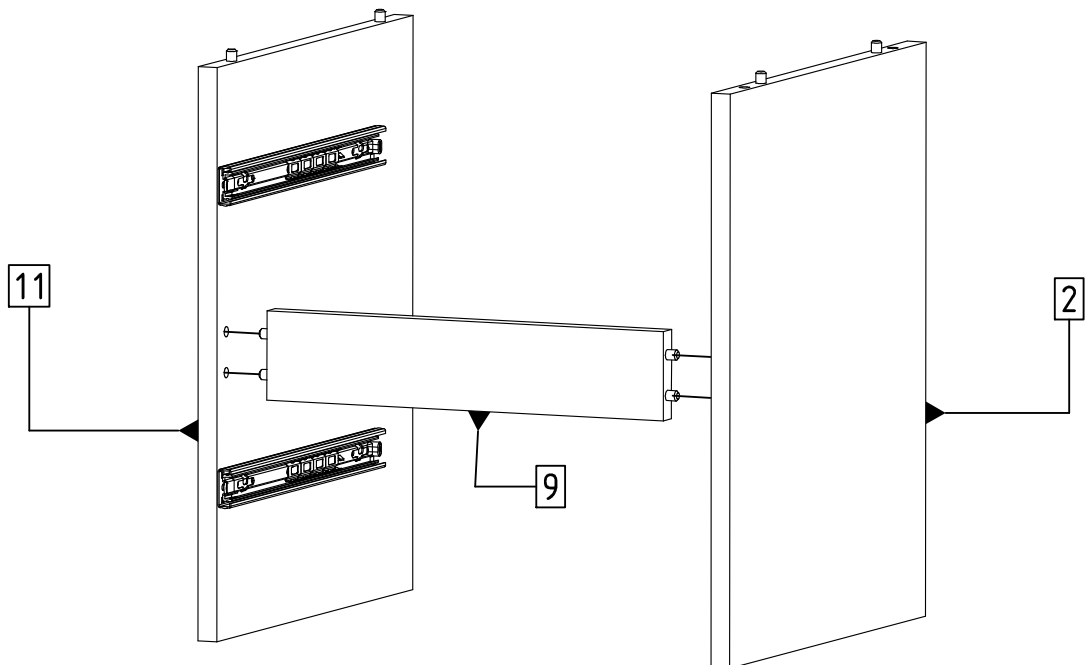
5.



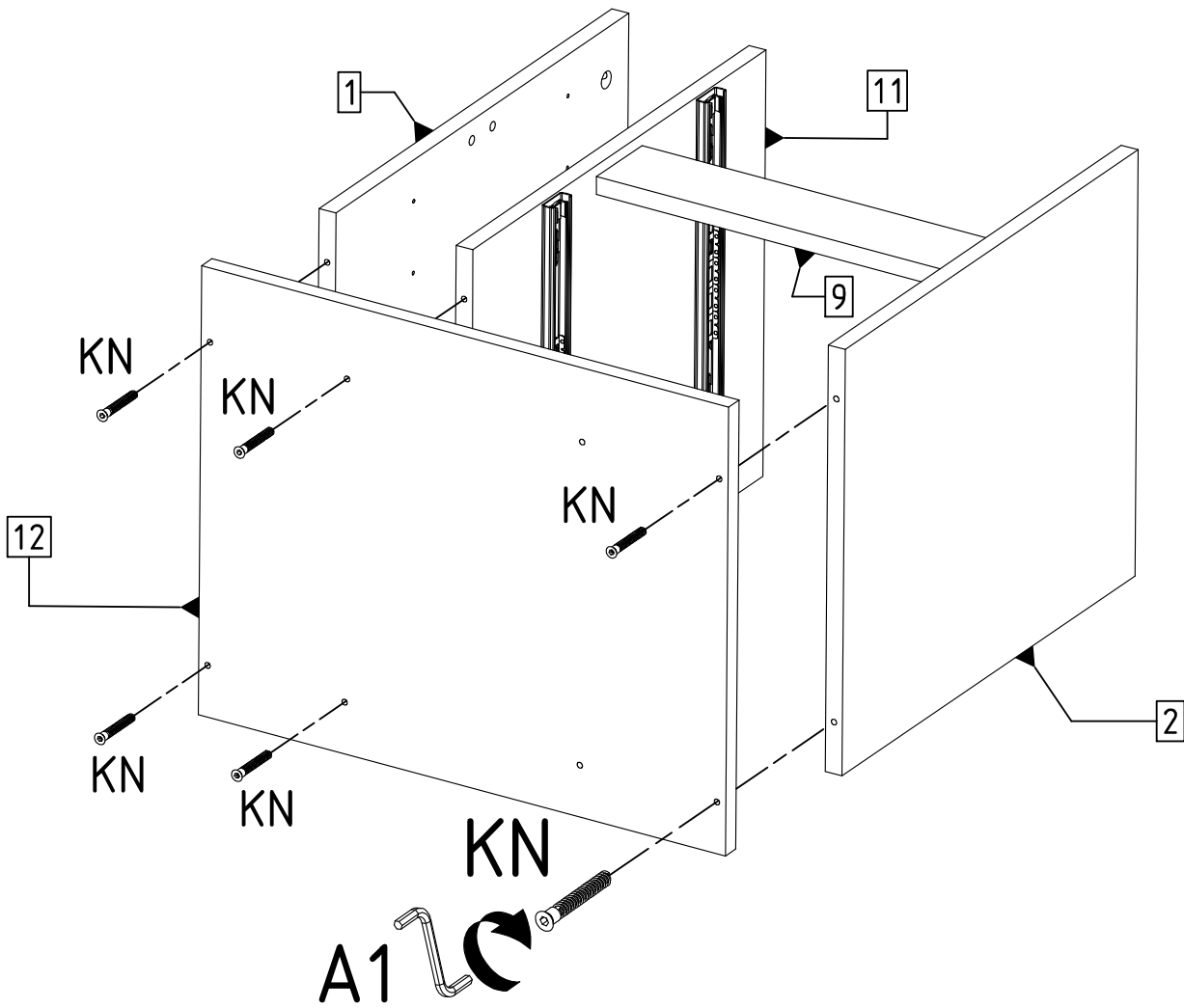
6.



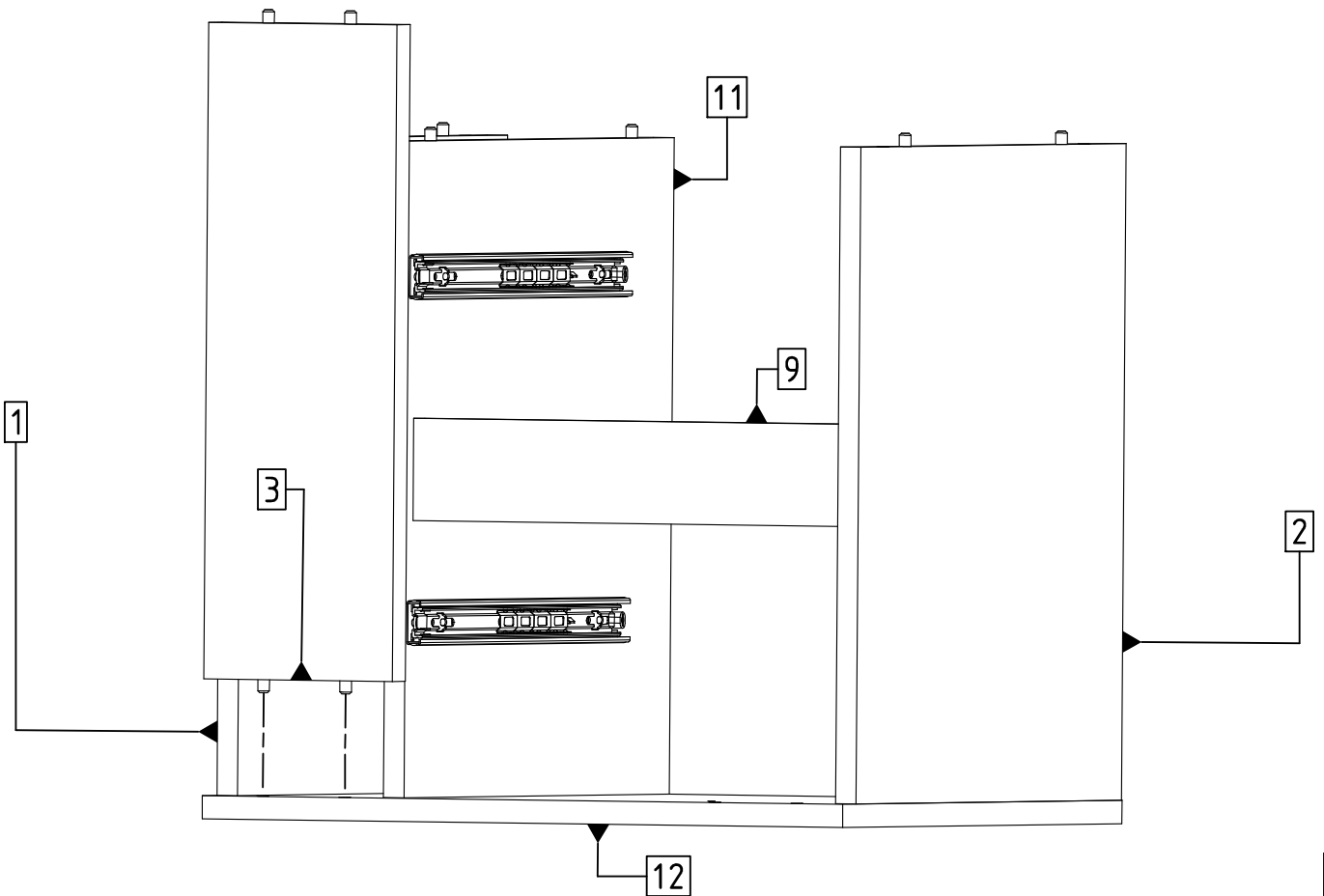
7.



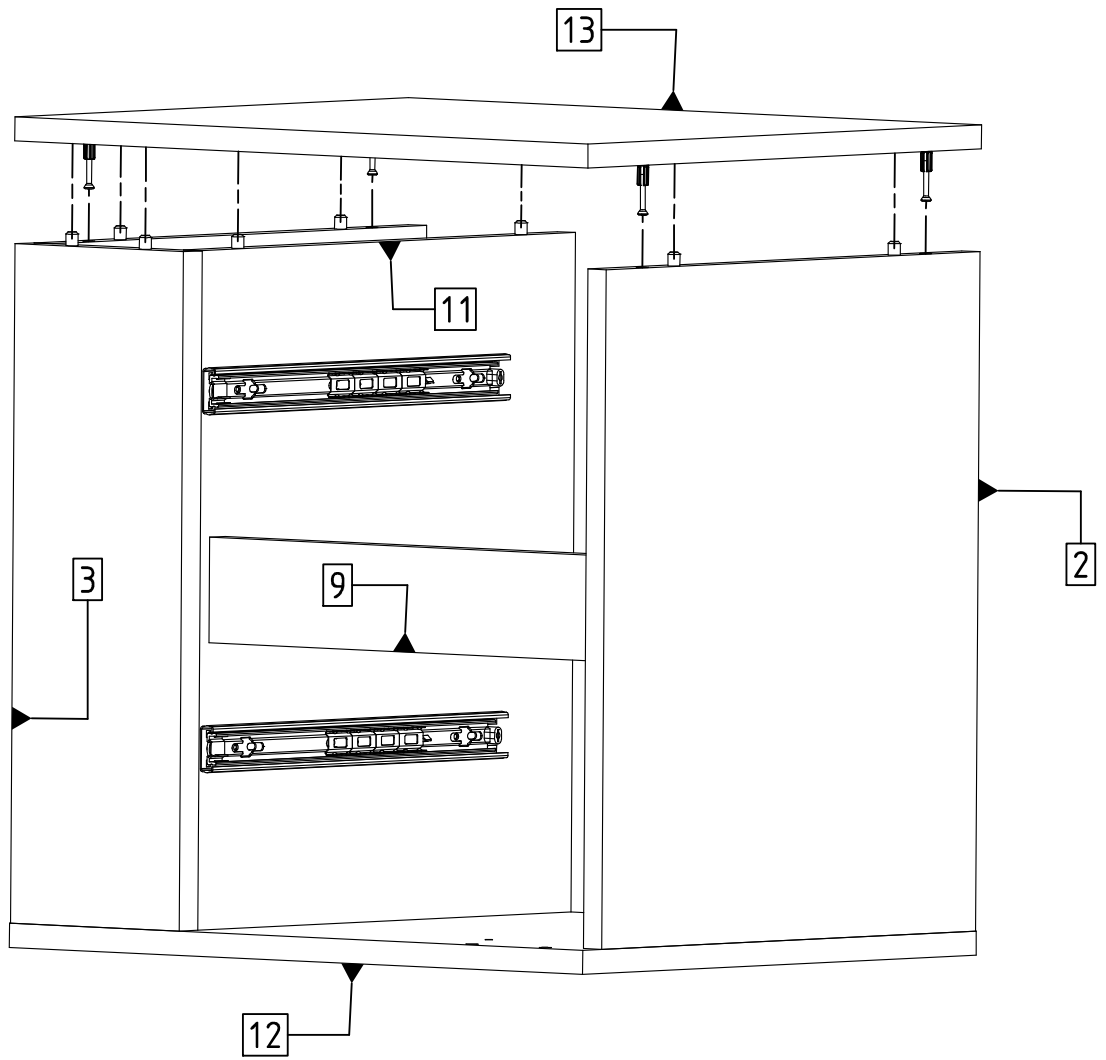
8.



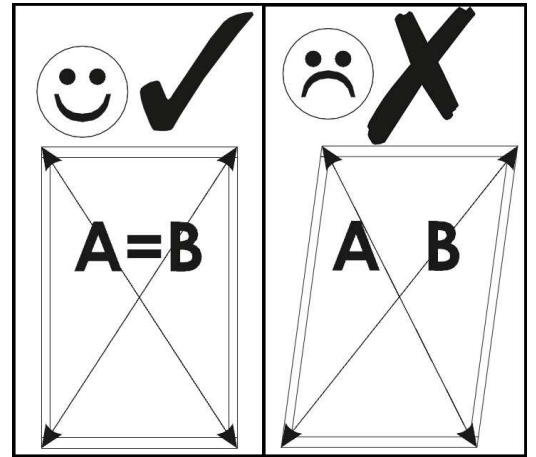
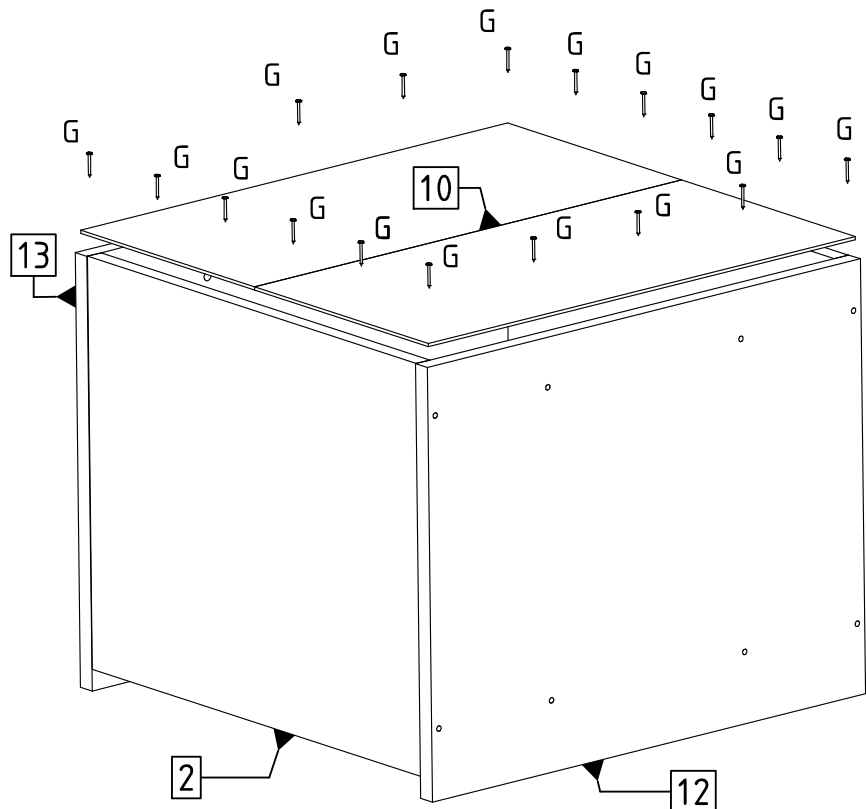
9.



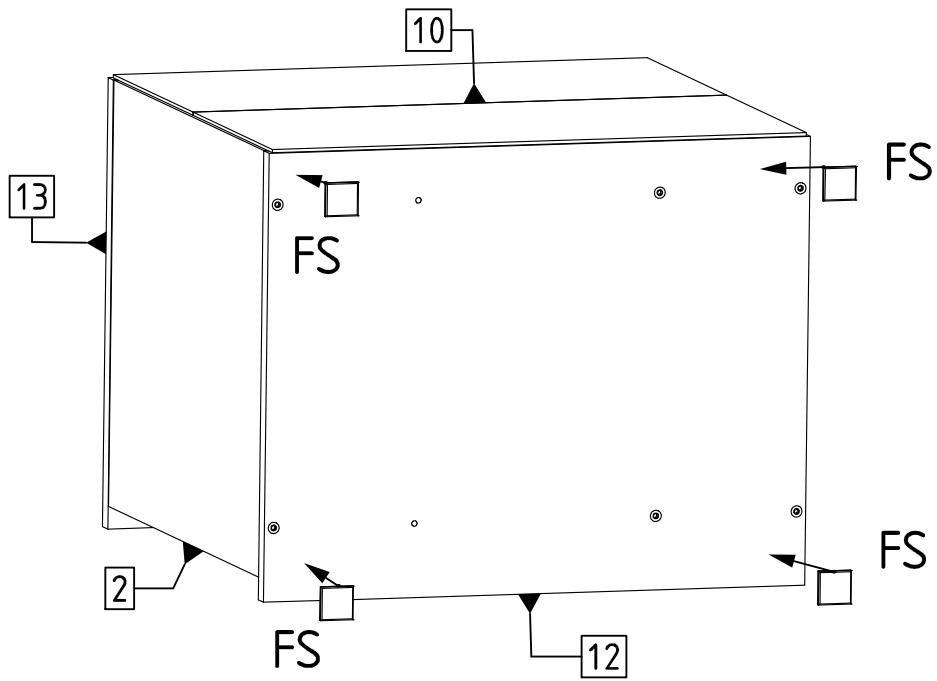
10.



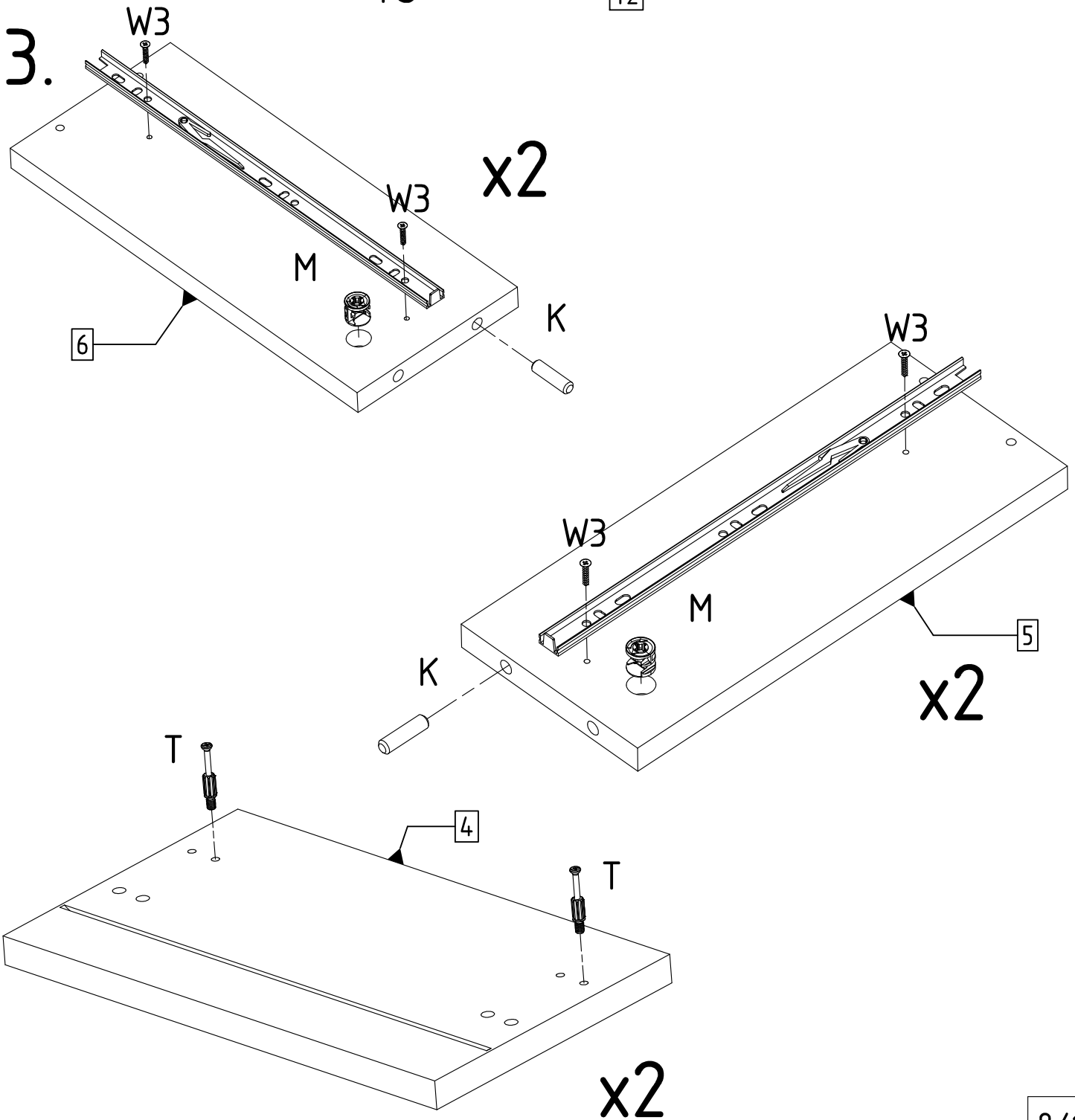
11.



12.

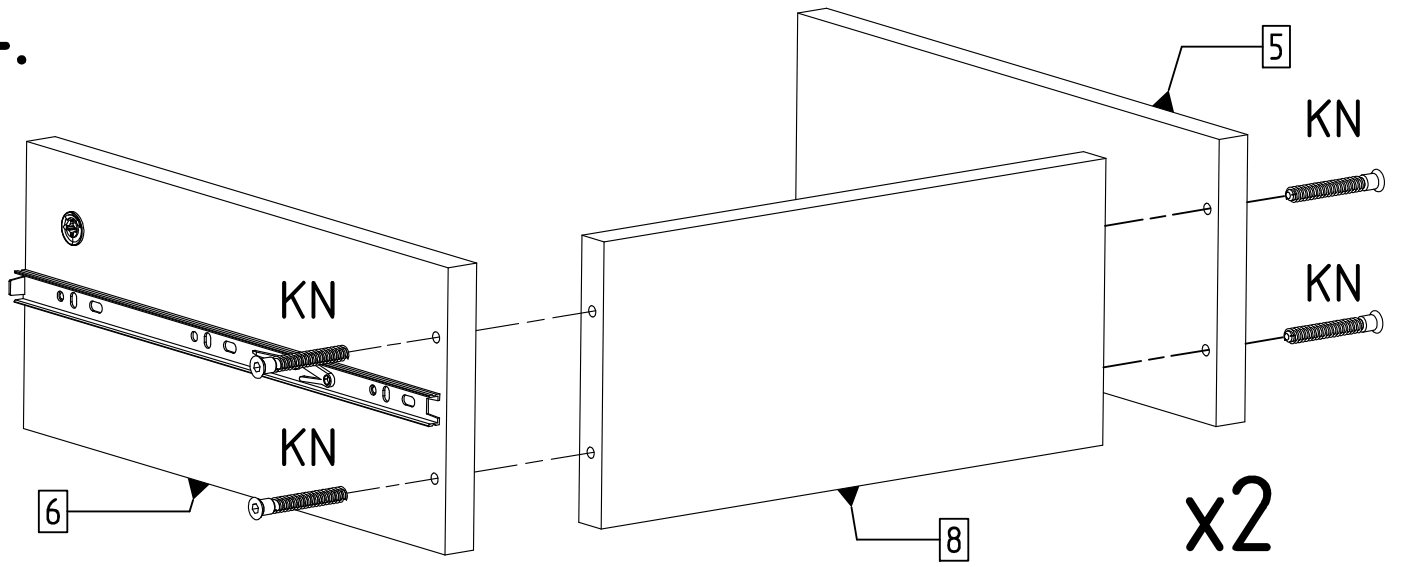


13.

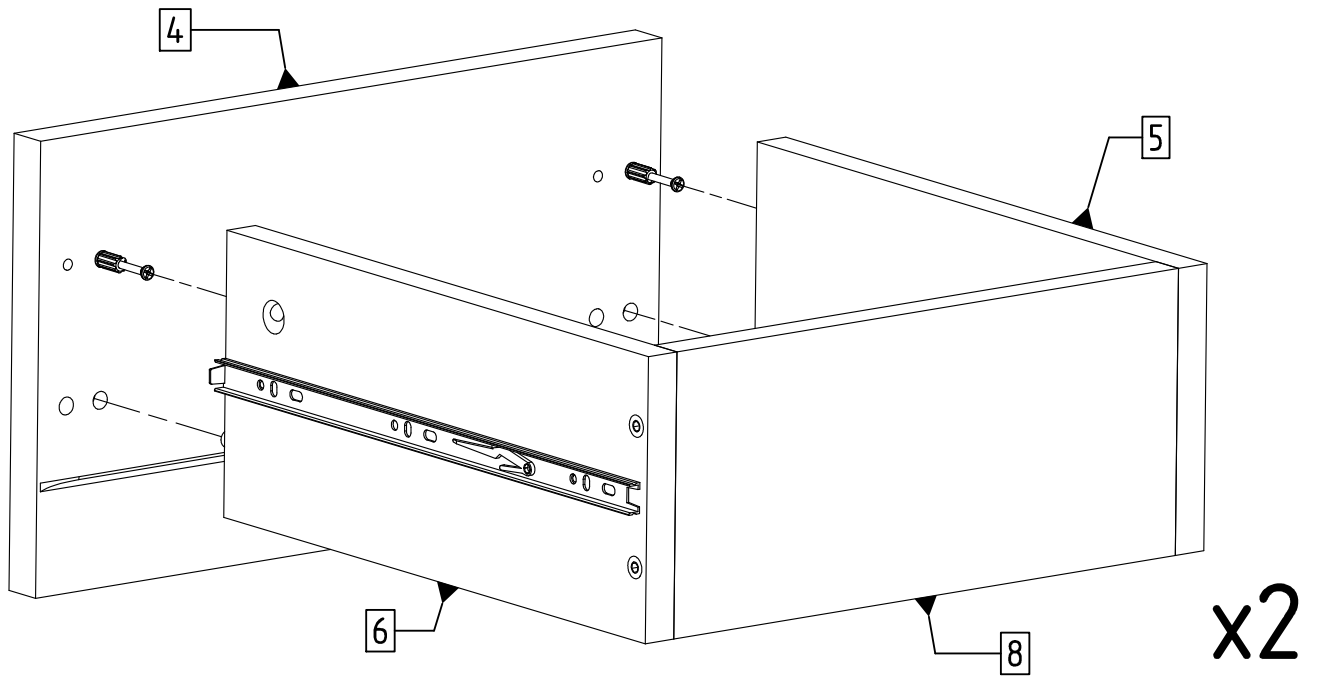




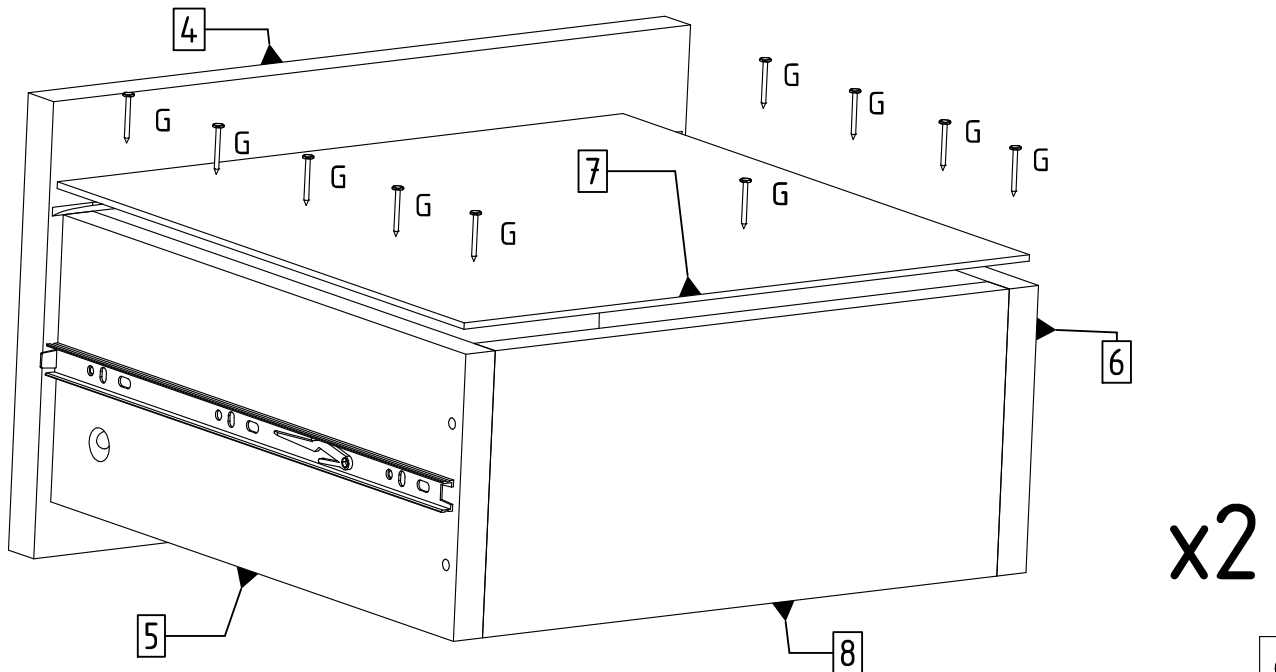
14.



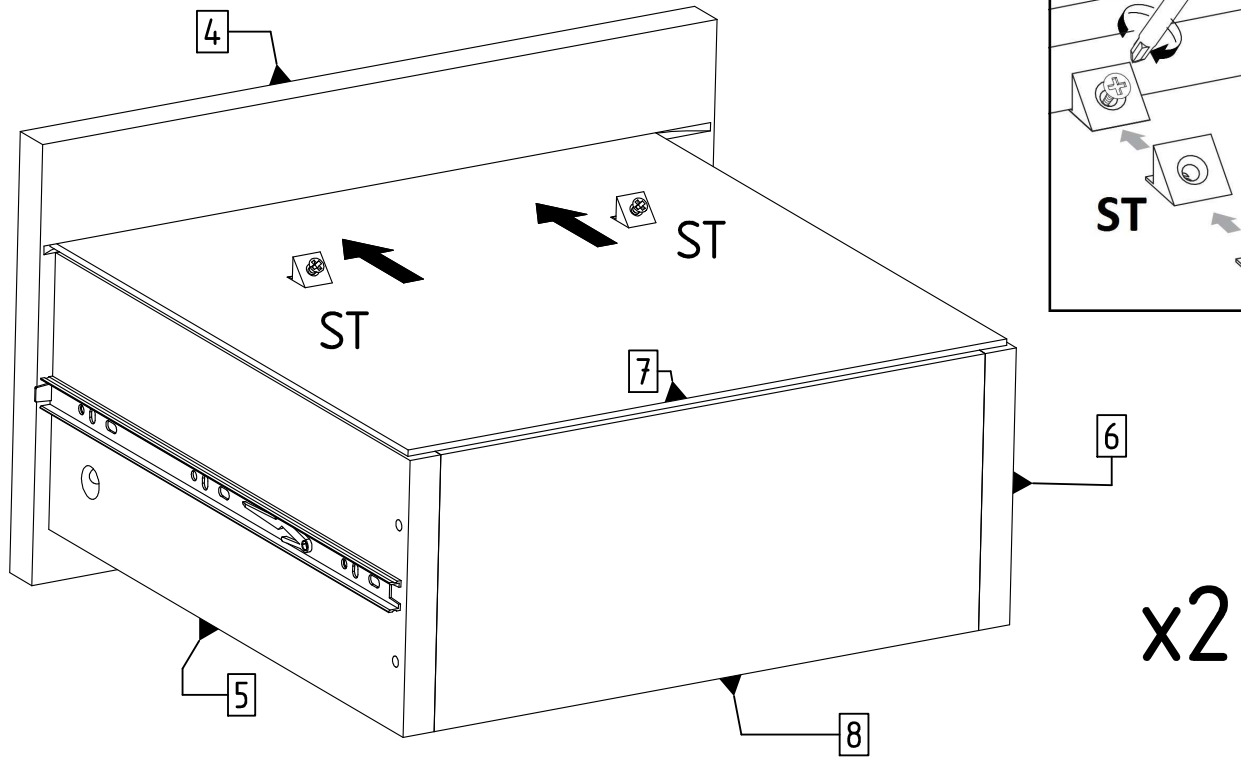
15.



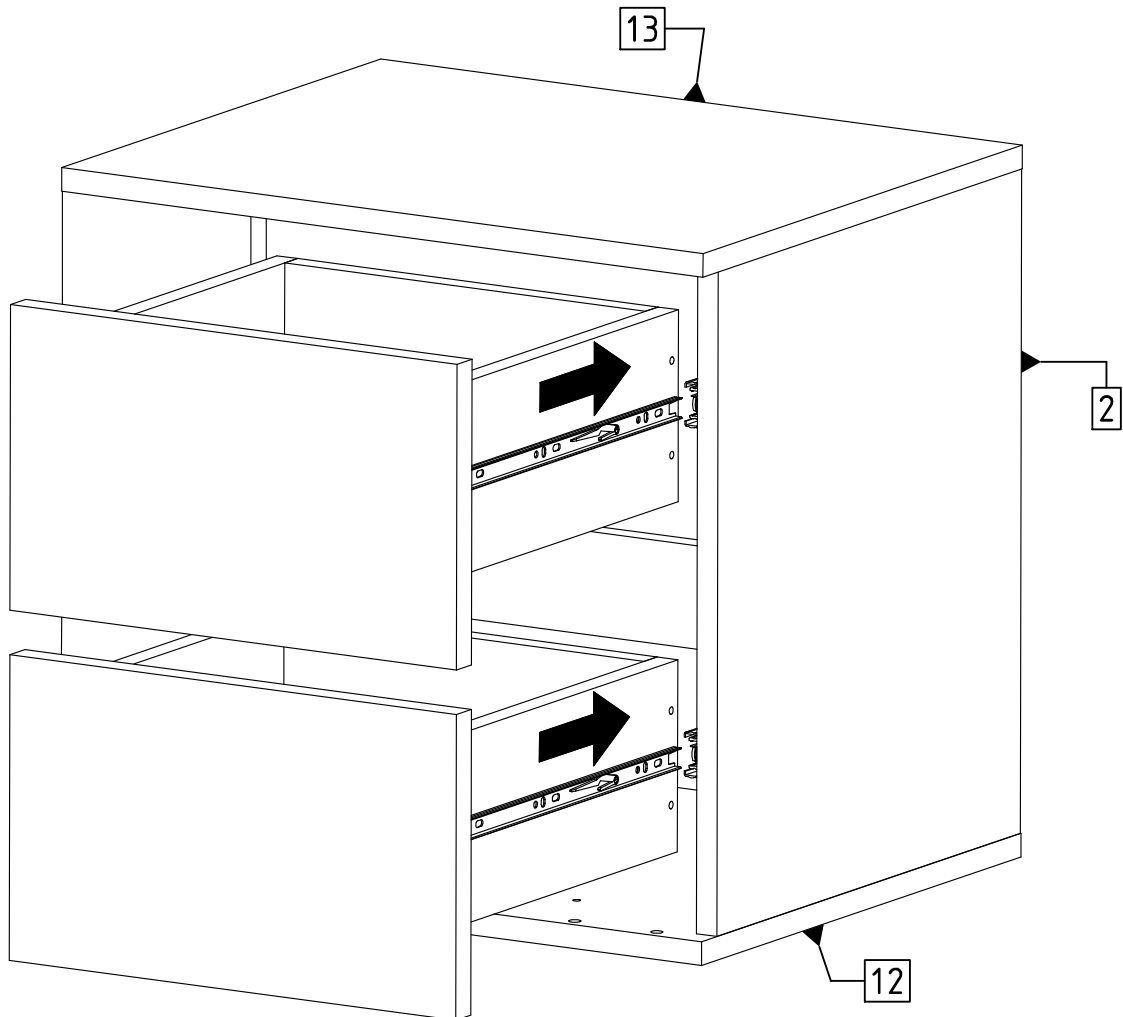
16.



17.

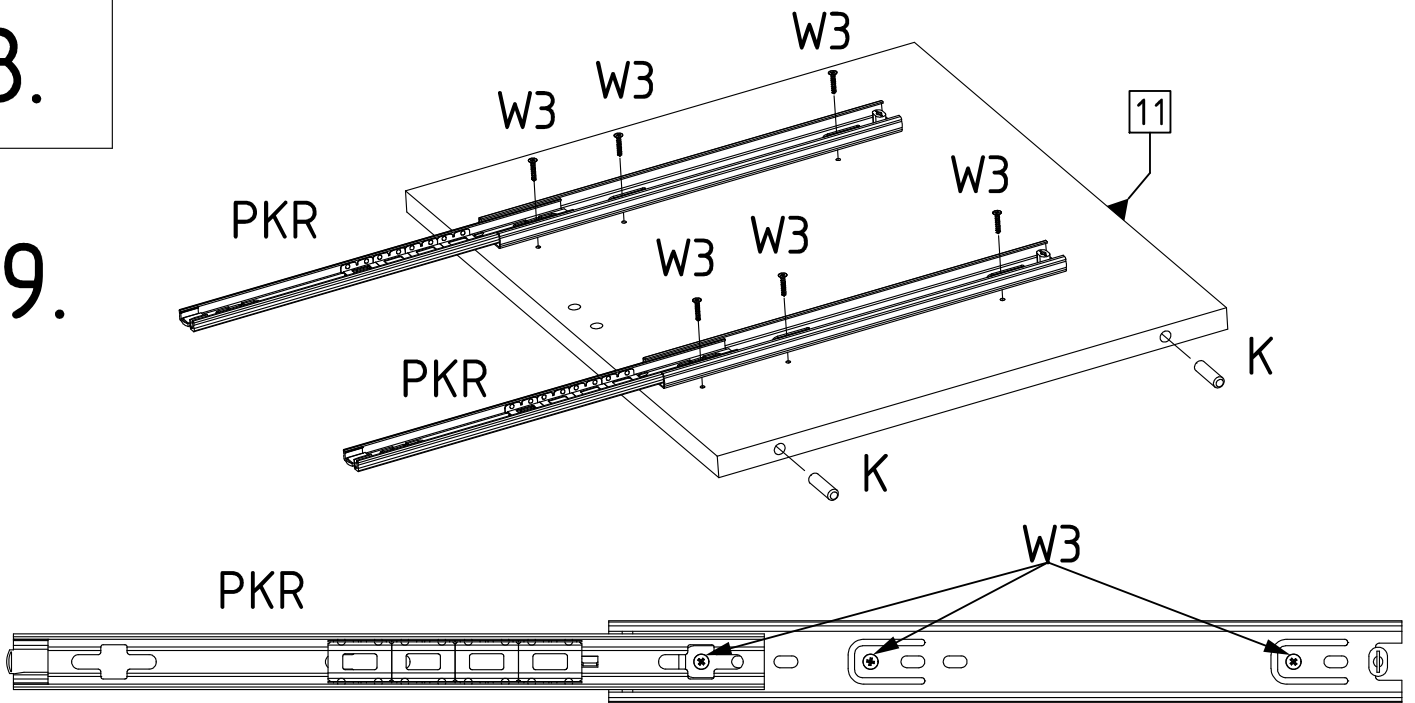


18.

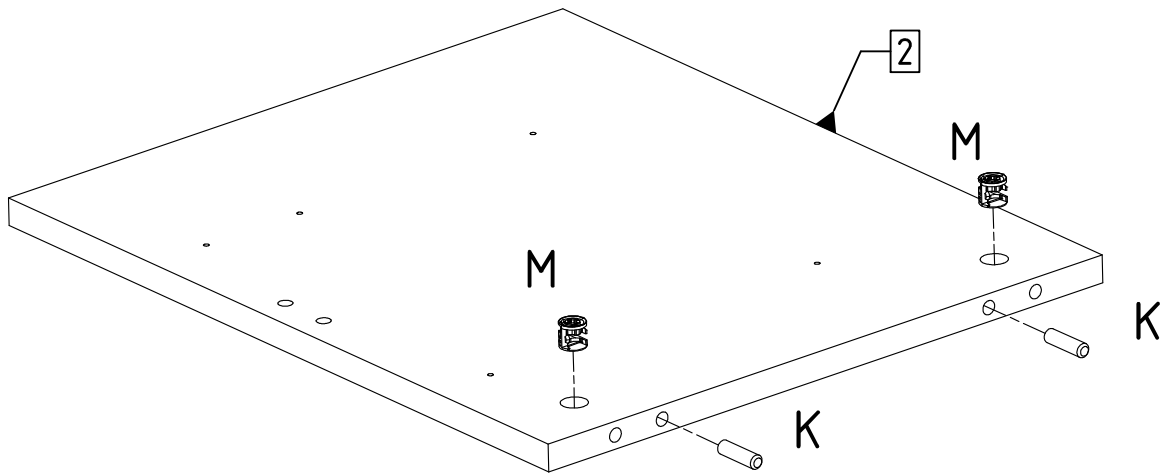


B.

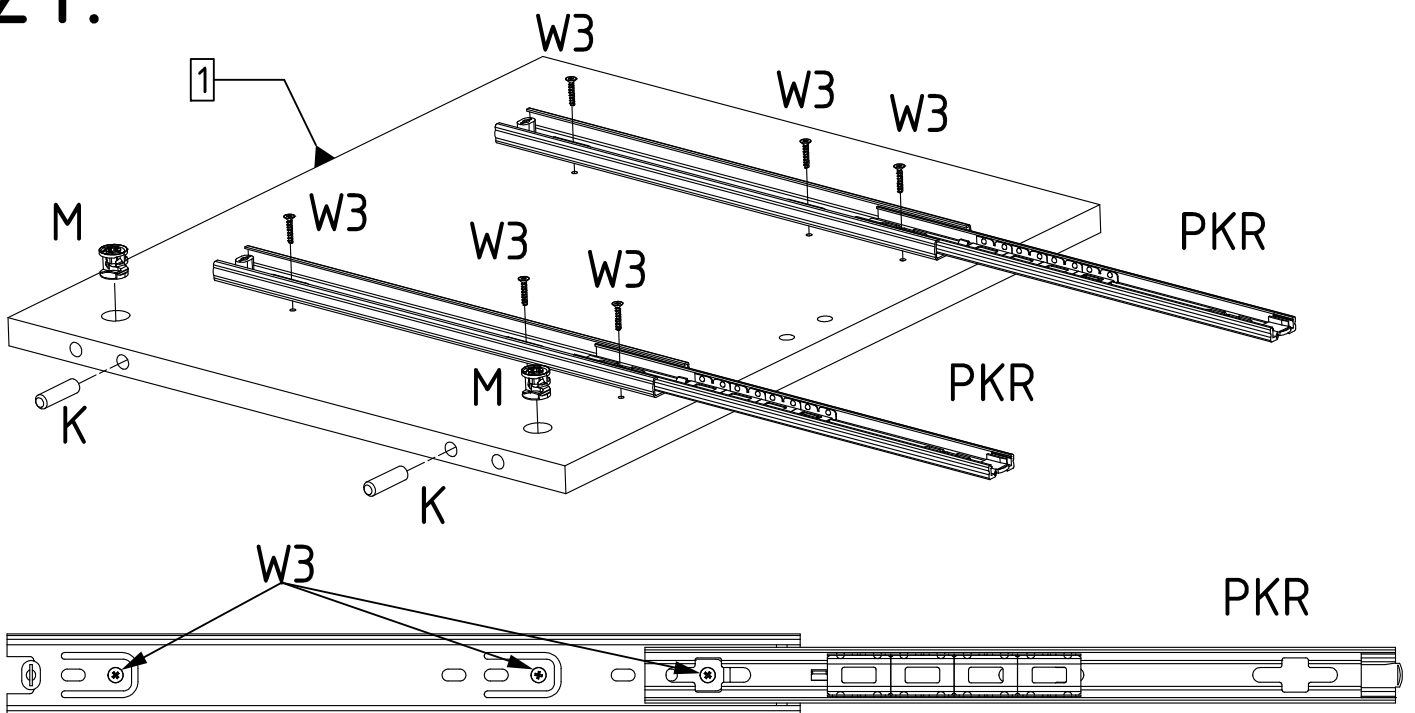
19.



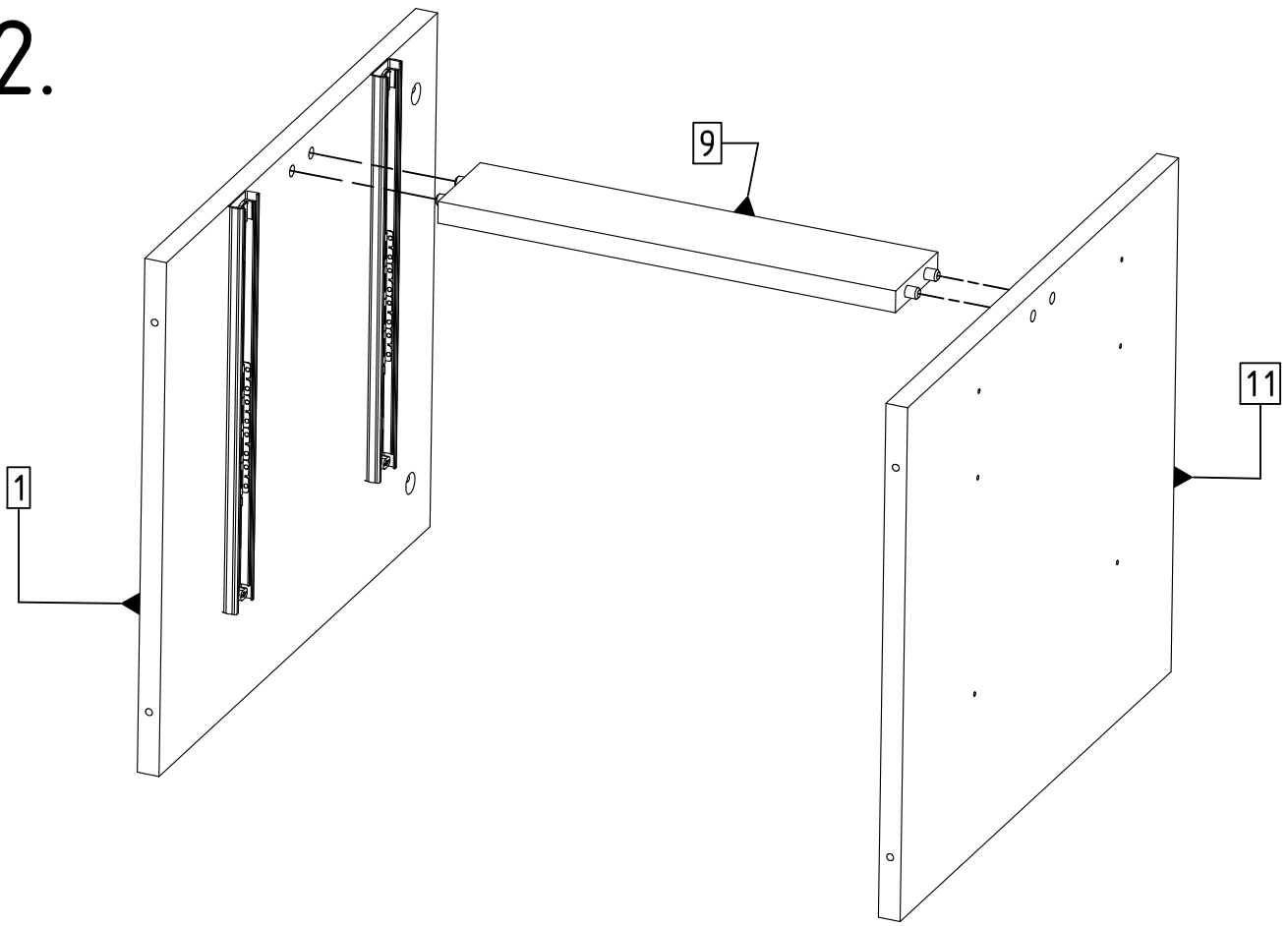
20.



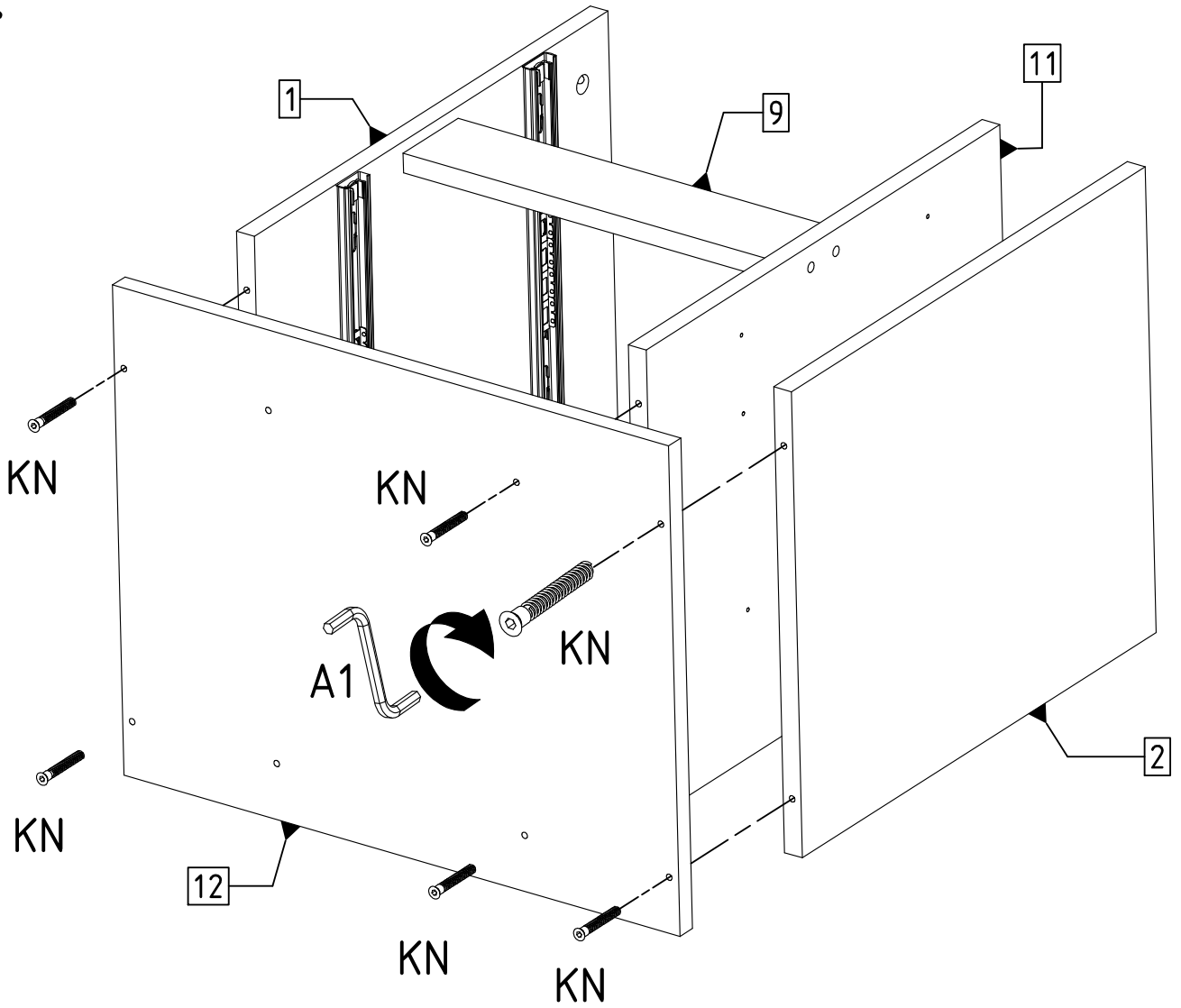
21.



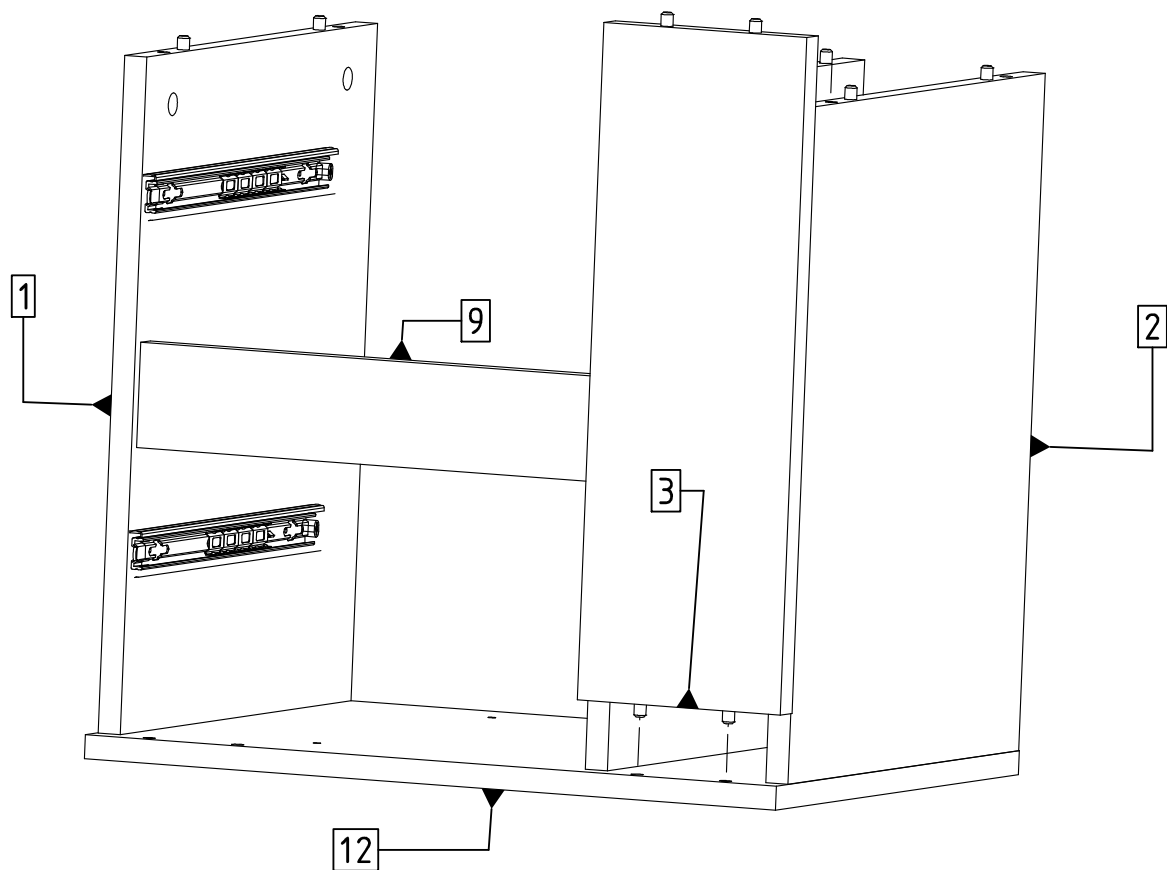
22.



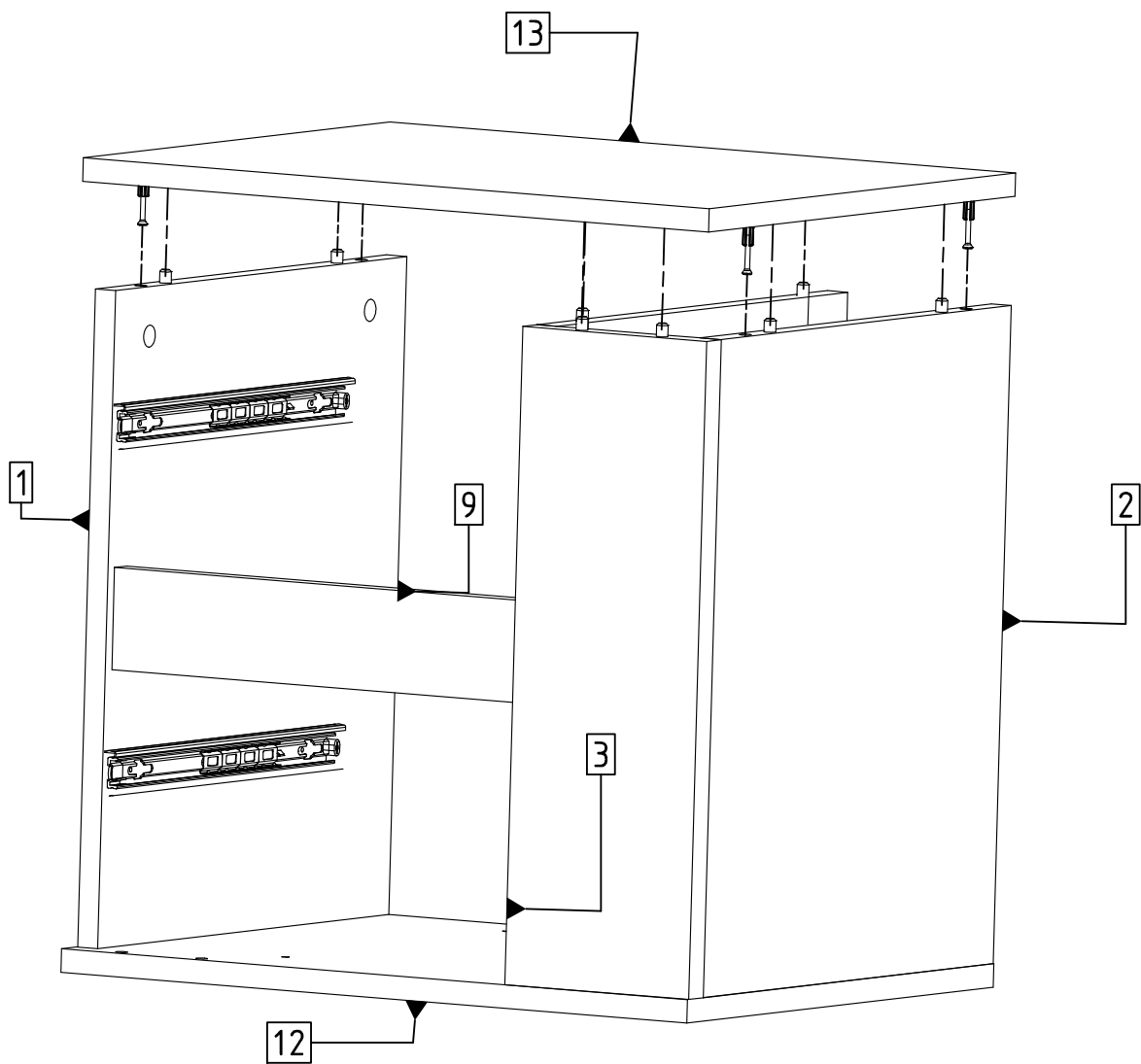
23.



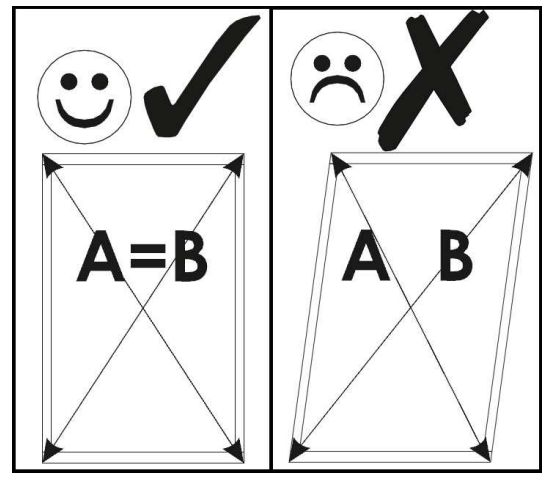
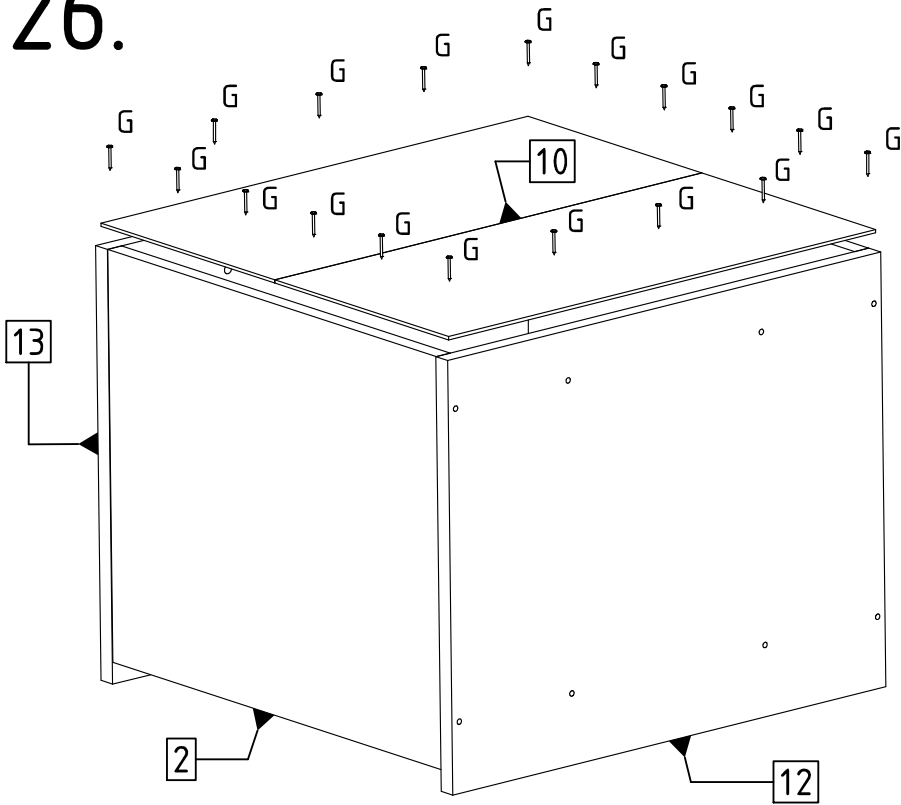
24.



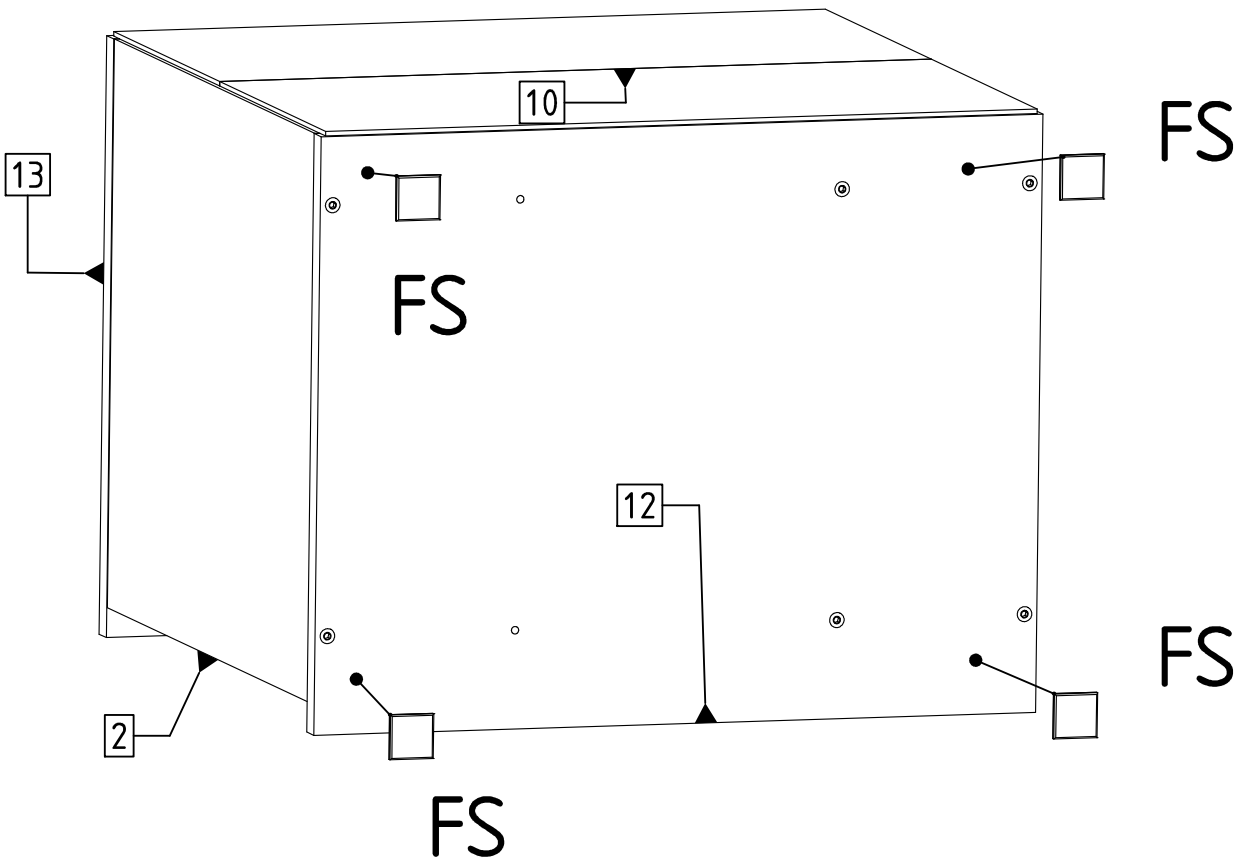
25.



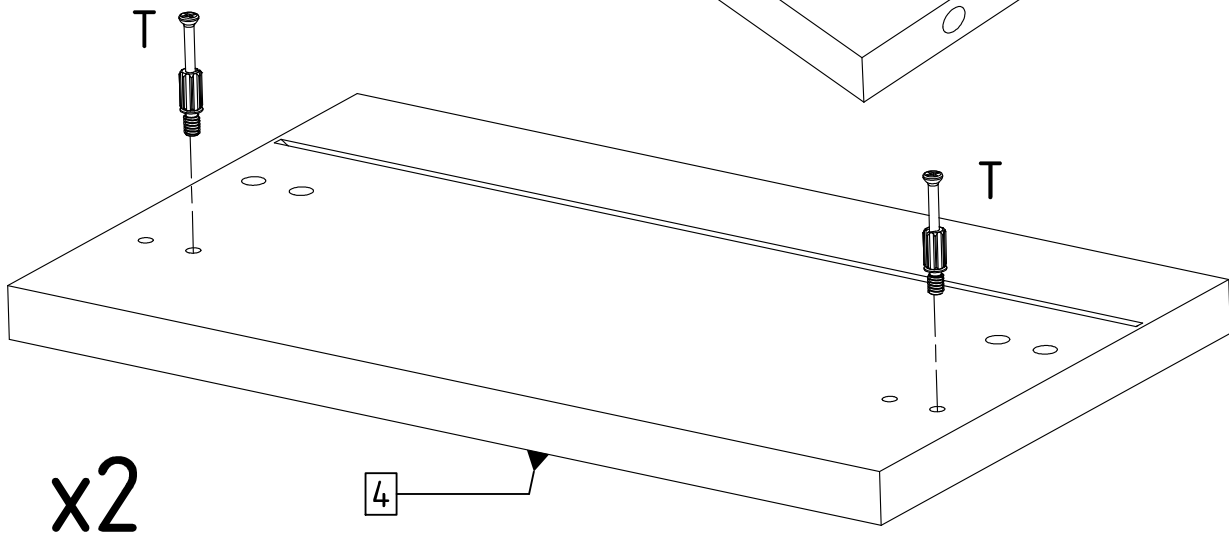
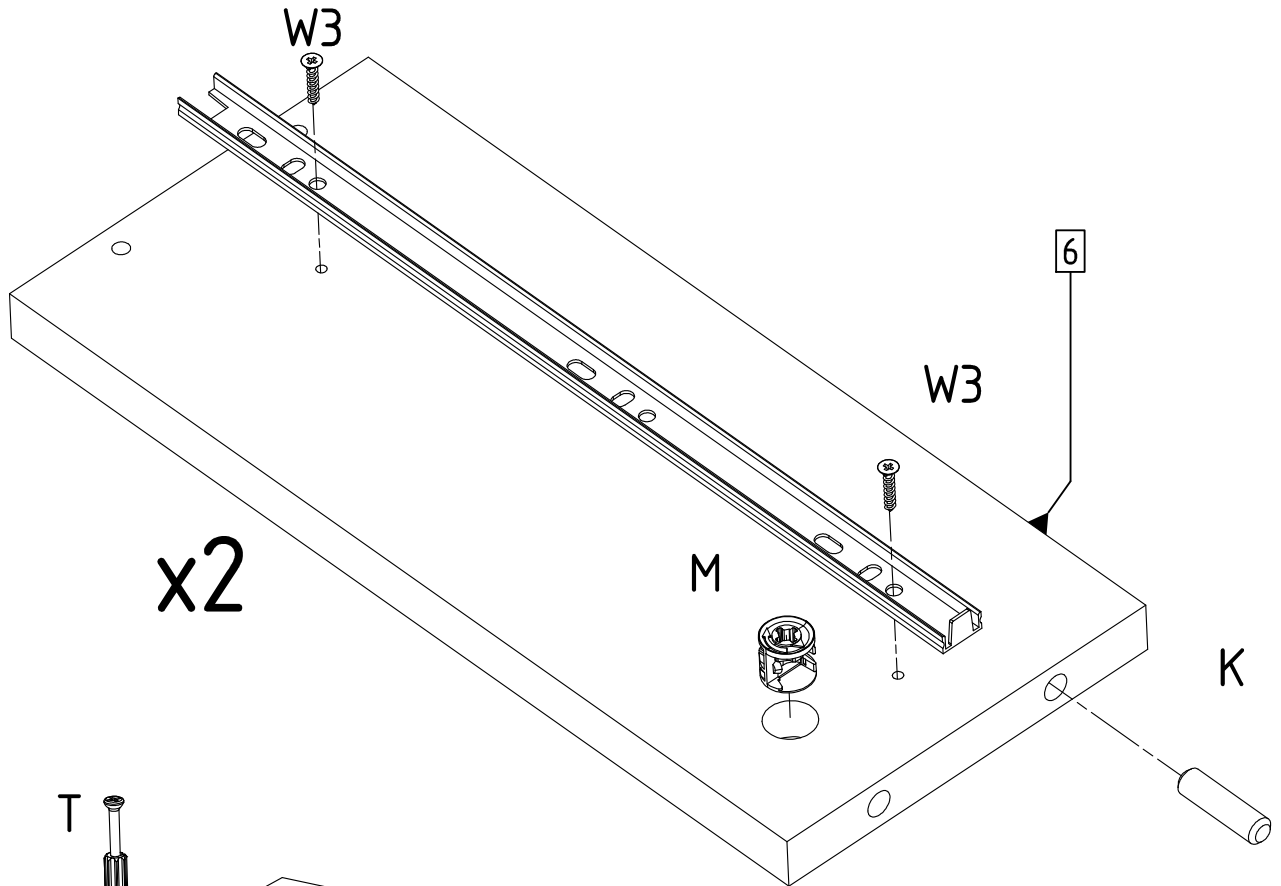
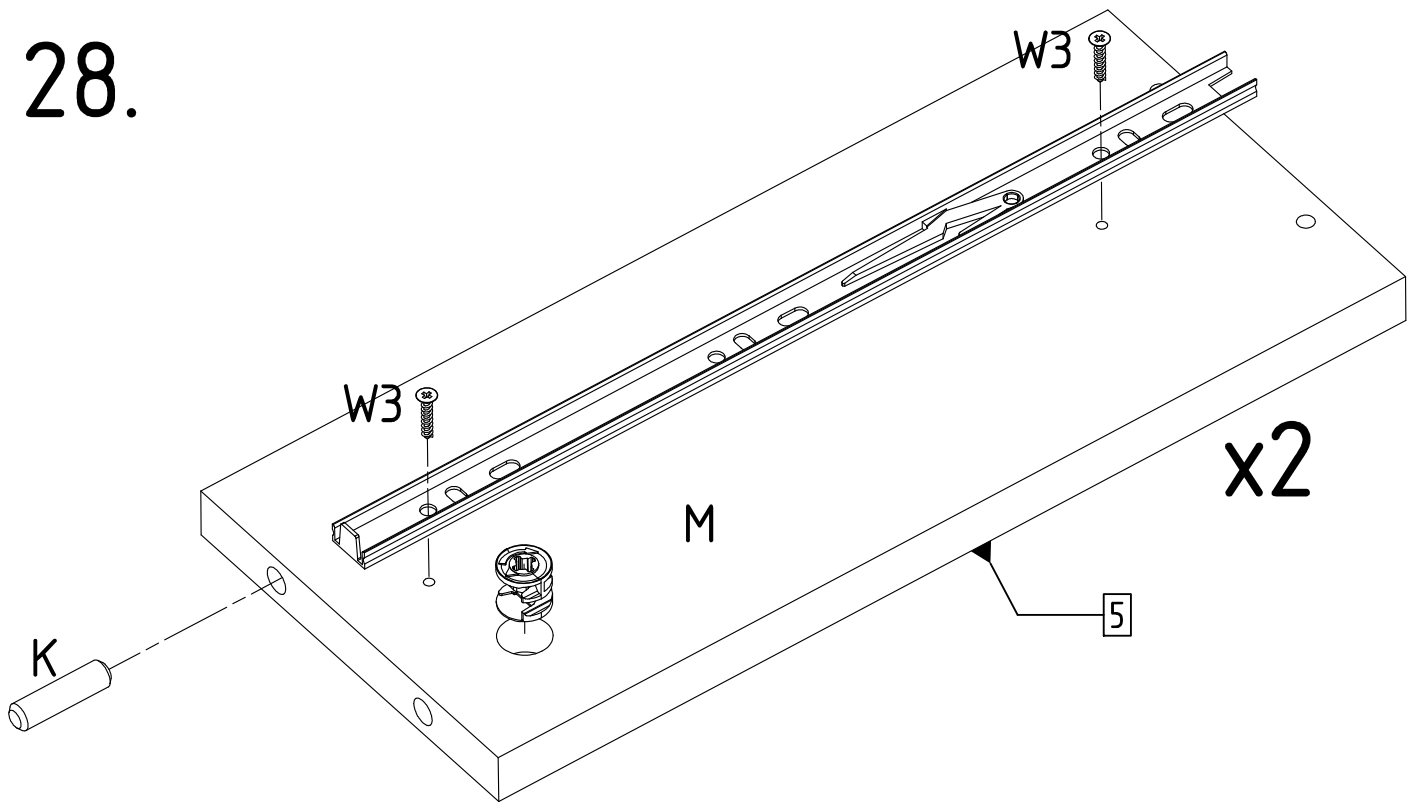
26.



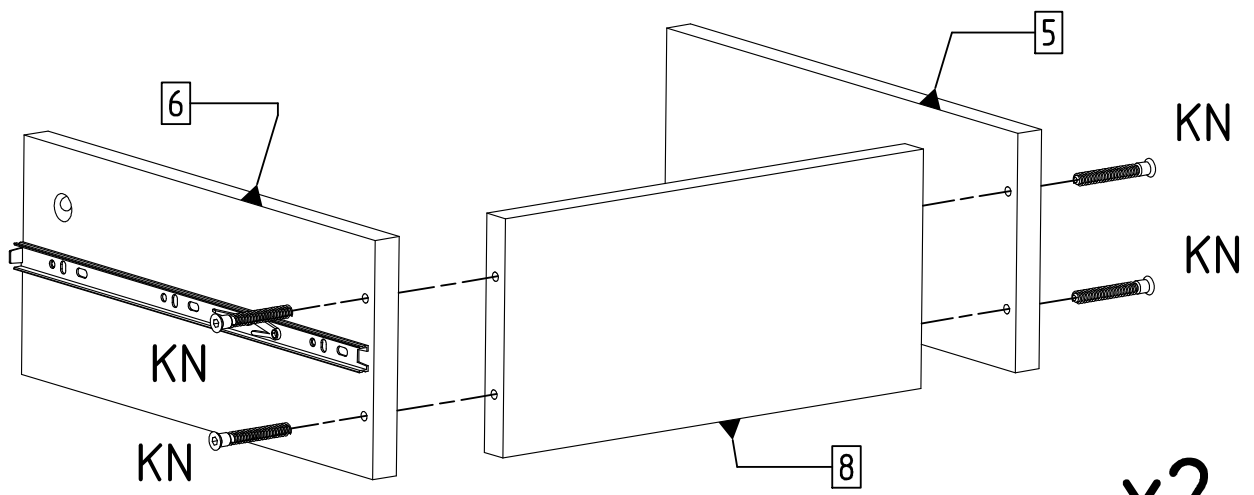
27.



28.

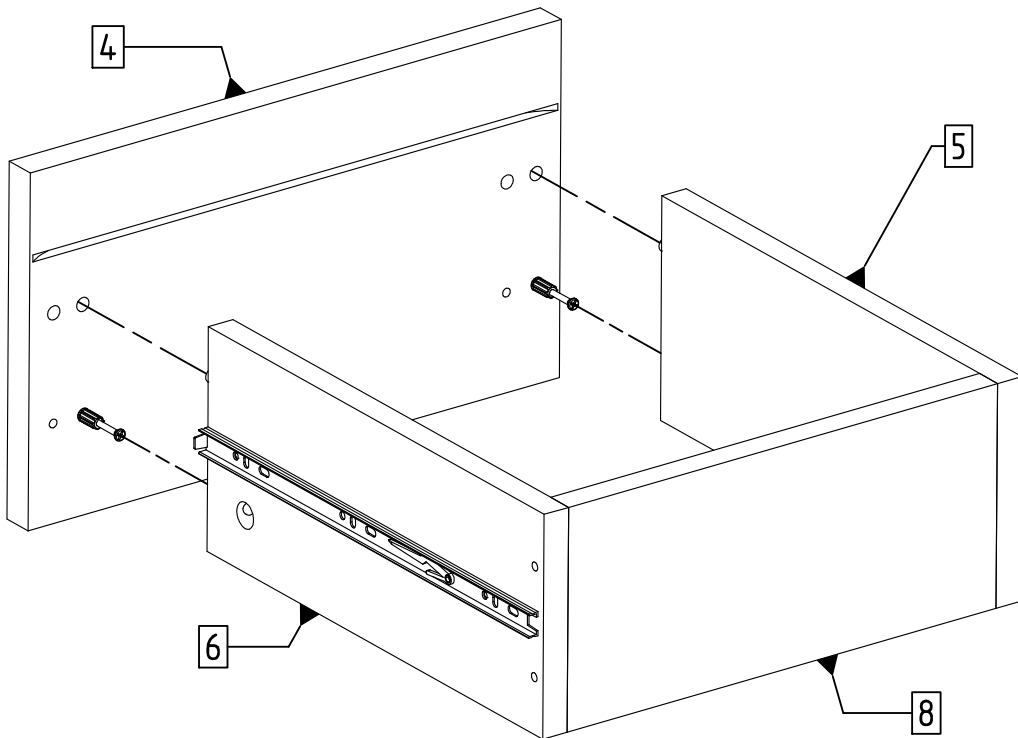


29.



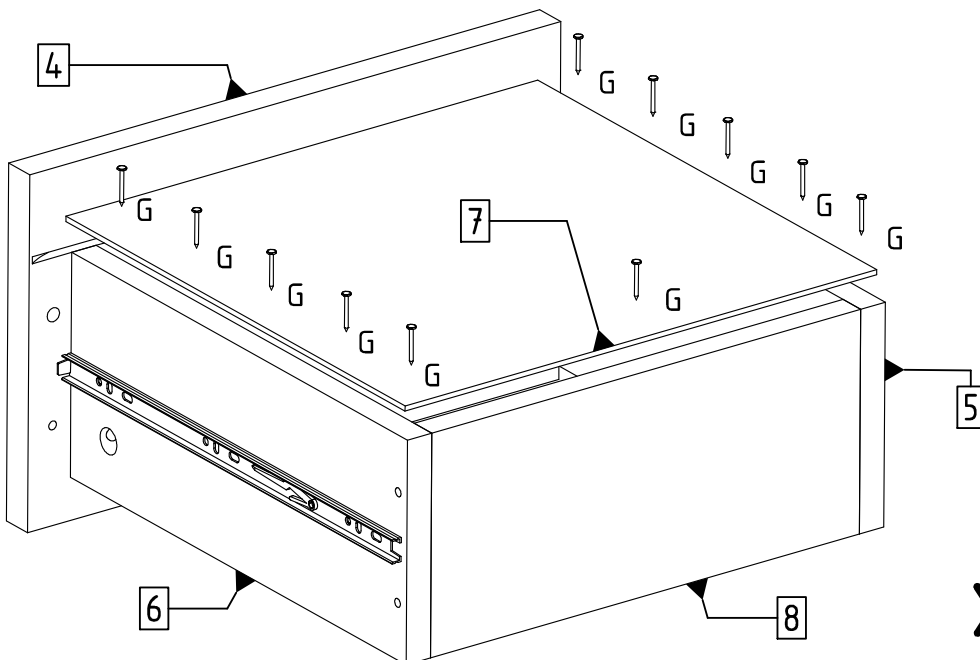
x2

30.



x2

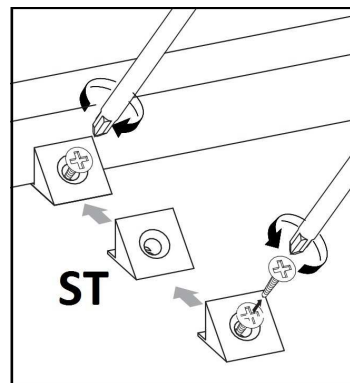
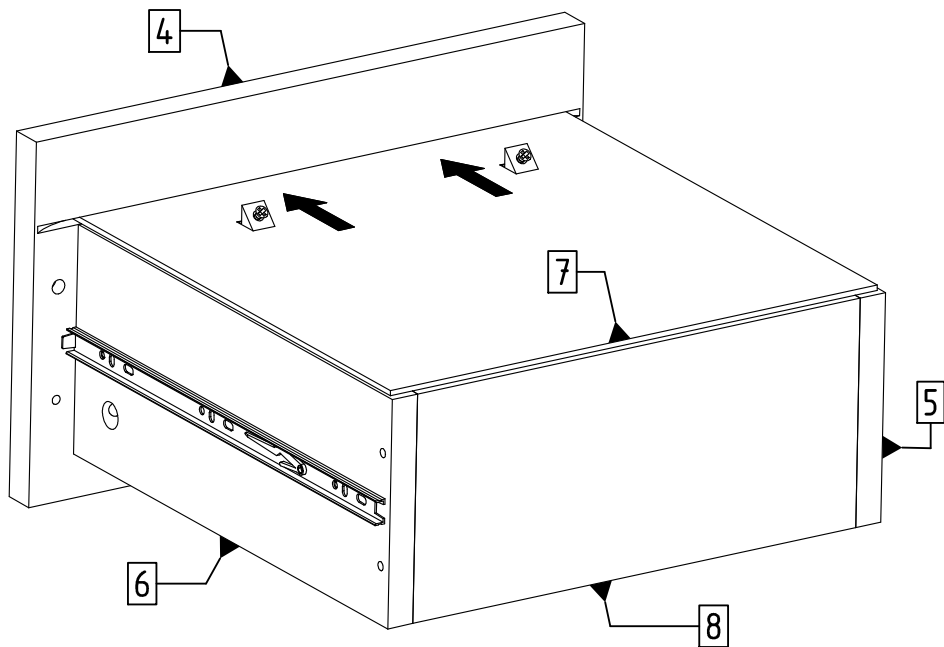
31.



x2

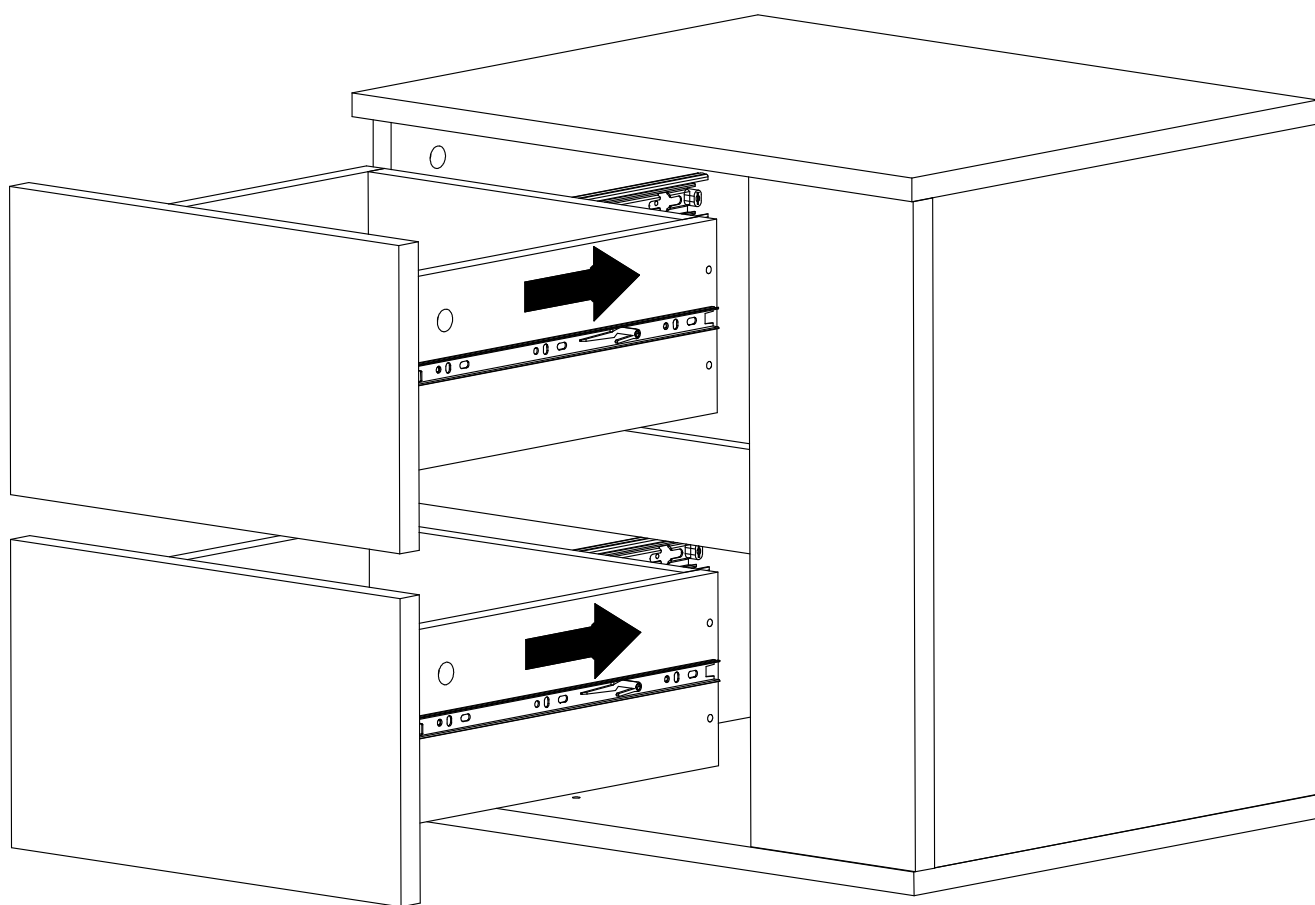


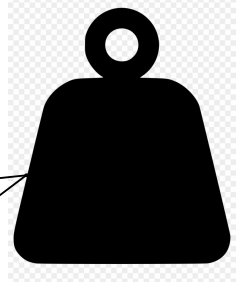
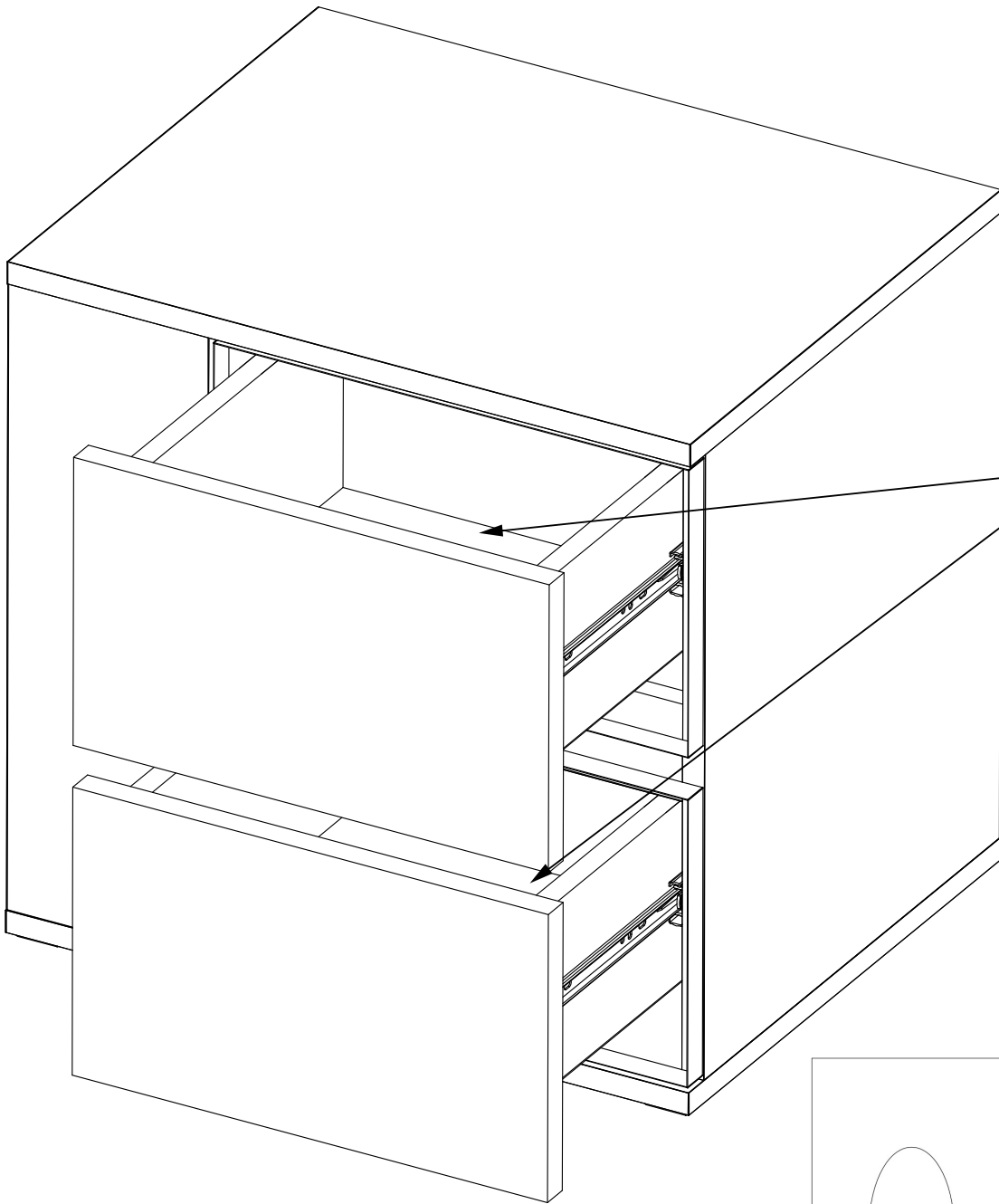
32.



x2

33.





max.  
5kg

