

RONDA

RONDA 03

0P-134

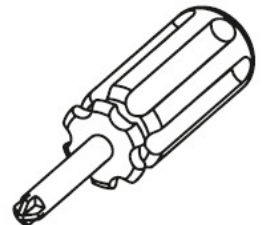
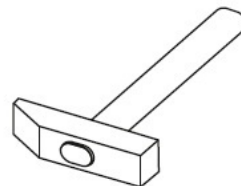
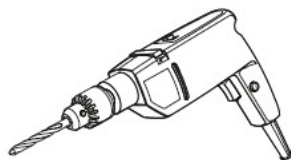
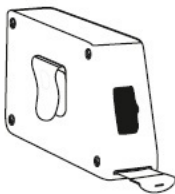
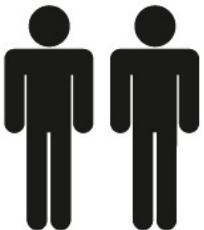
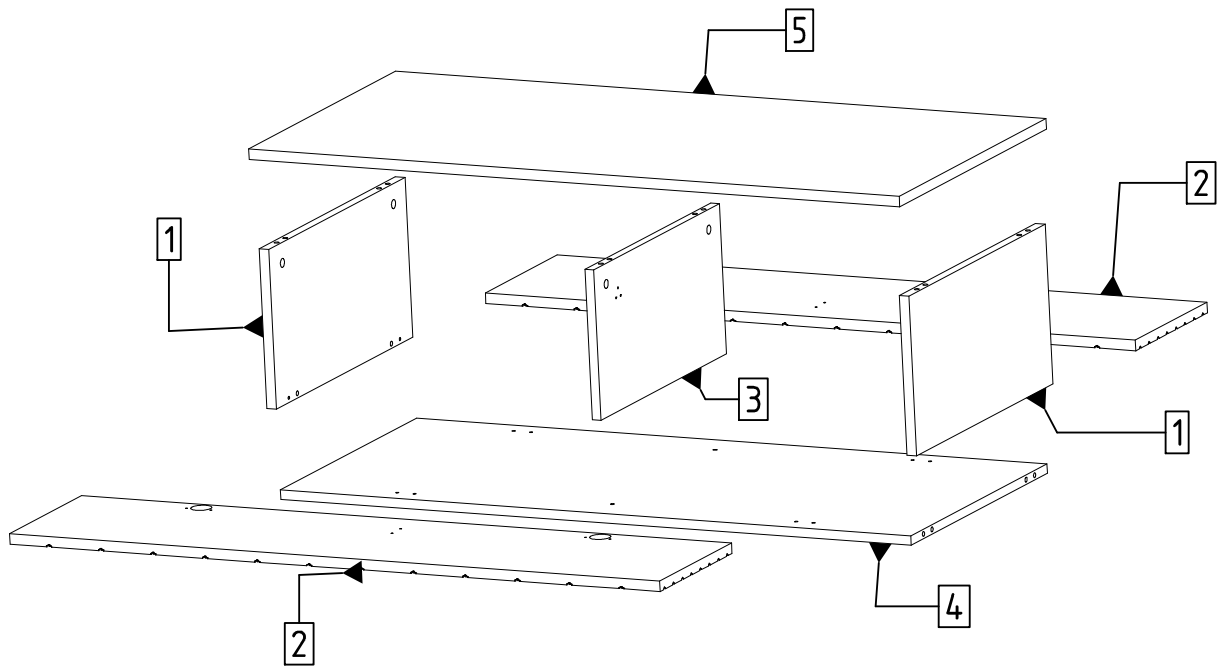
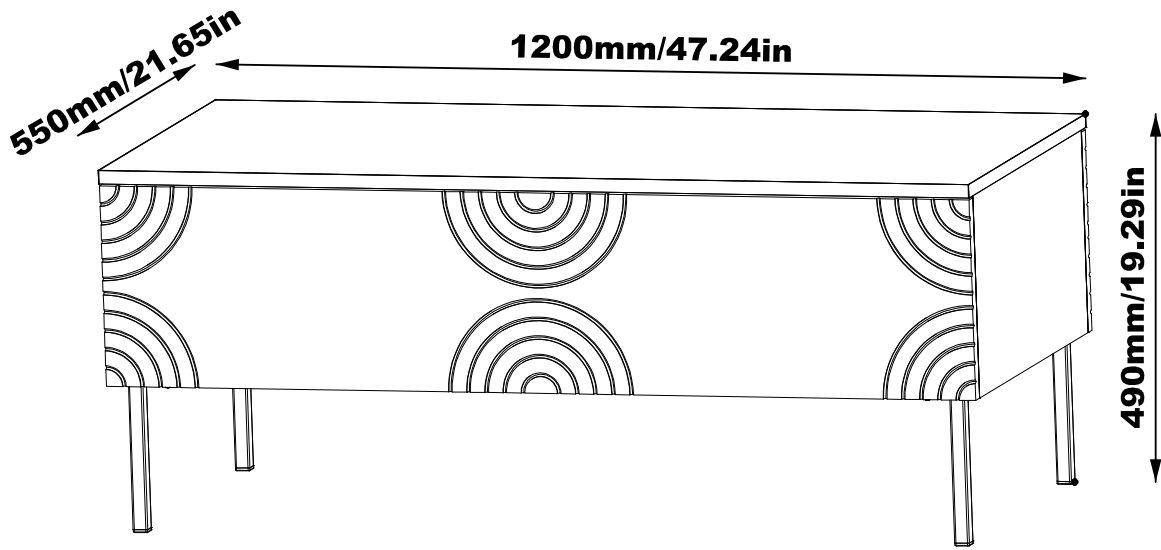
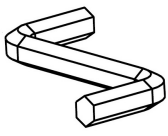
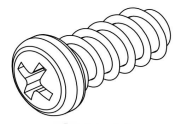
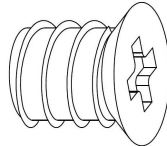
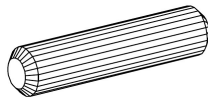
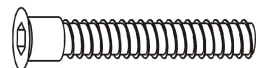

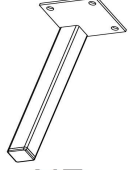
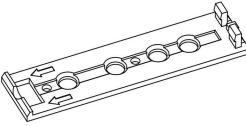
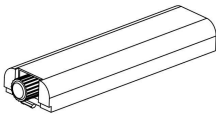
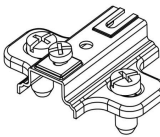
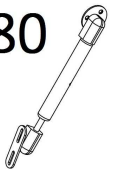
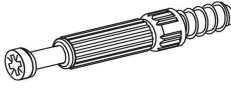
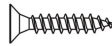
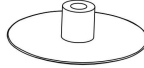
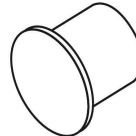
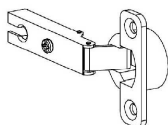
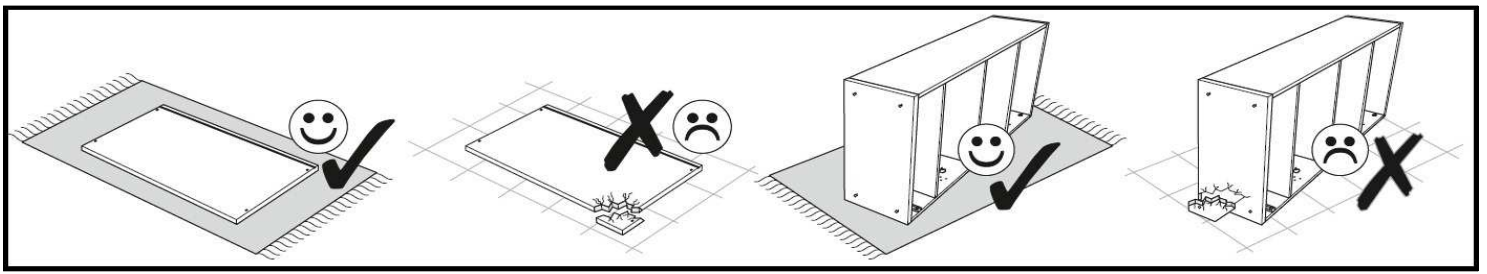


Table accessories

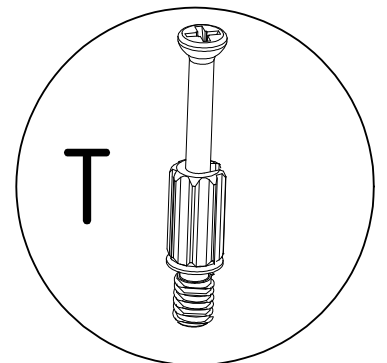
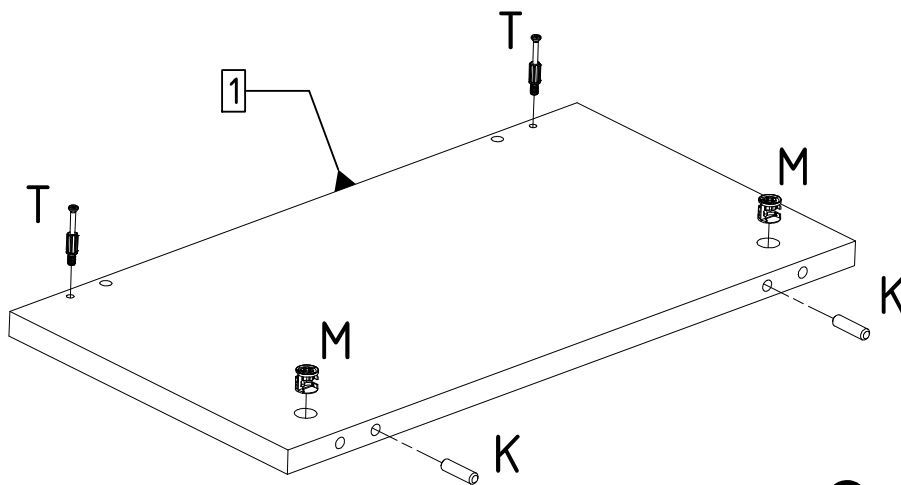
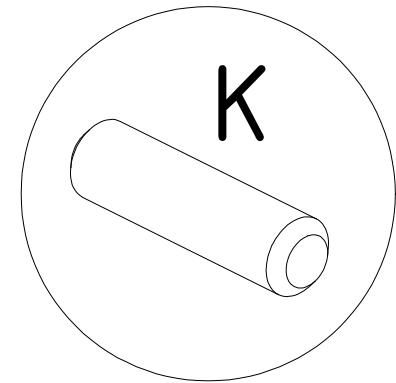
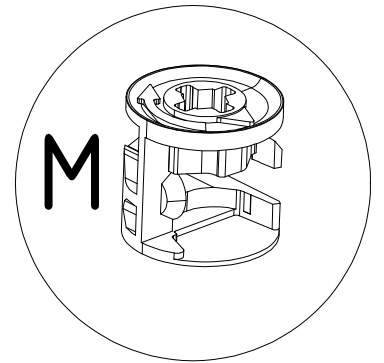
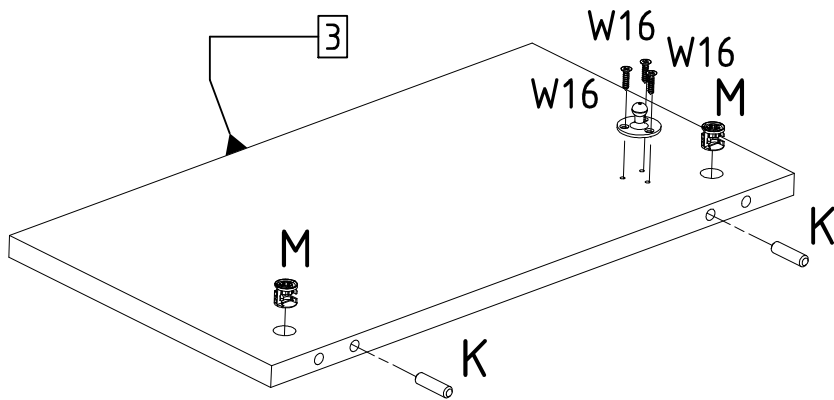
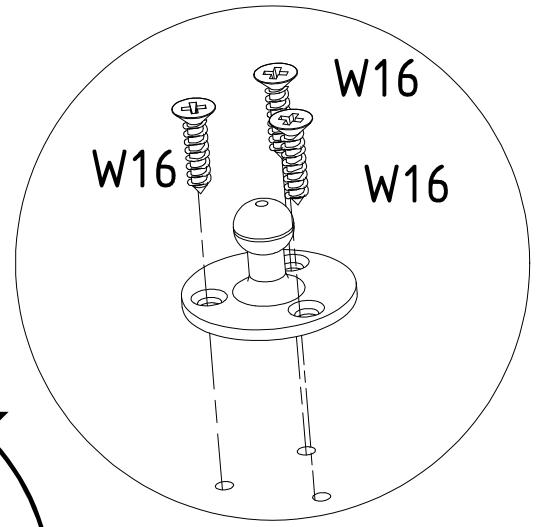
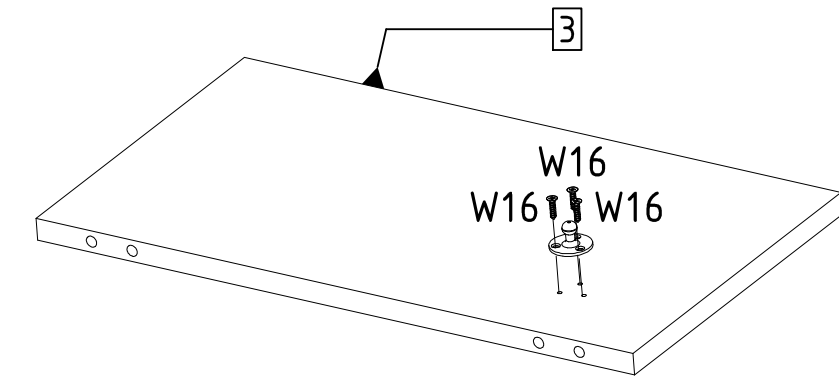
 A1	6,3 X 13  E13	6,3x9mm  E3	8 x 30  K	6,3 X 50  KN
15 x 12  M	h= 200mm  NZ	 OB	 OB2	 PRE
N80  SB	6 x 34 mm  T	4 x 16  W16	 Z	 Z5
 ZP				

Elements				Accessories	
SYMBOL	LENGTH	WIDTH	QUANTITY	SYMBOL	QUANTITY
BK [1]	20.08	10.71	2	A1	1
FT [2]	47.2	10.59	2	E13	12
PPIO [3]	18.5	10.08	1	E3	4
WD [4]	45.79	20.08	1	K	10
WG [5]	47.24	21.65	1	KN	2
				M	10
				NZ_H=200mm	4
				OB	2
				OB2	2
				PRE	4
				SB	2
				T	10
				W16	18
				Z	10
				Z5	8
				ZP	4



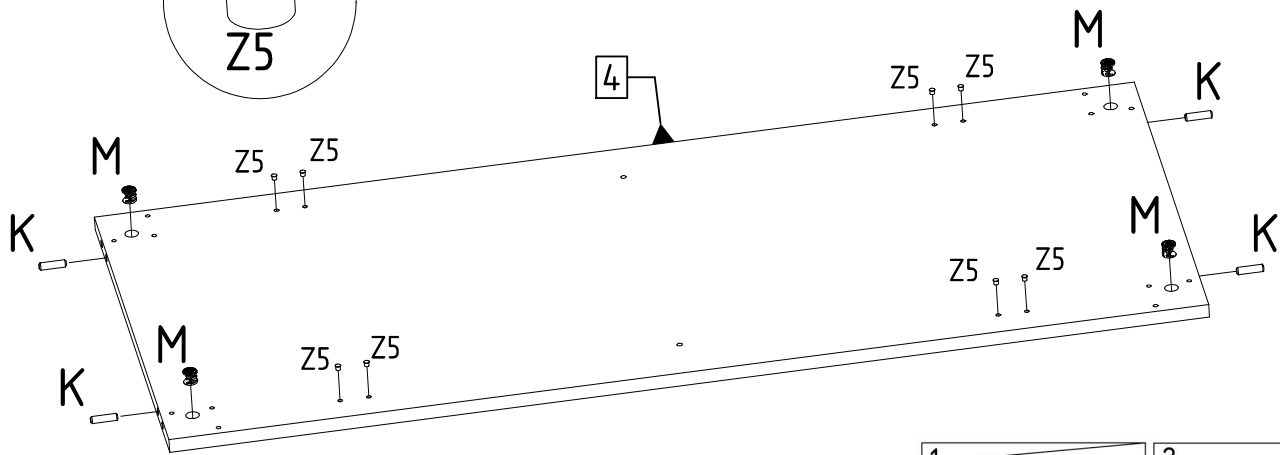
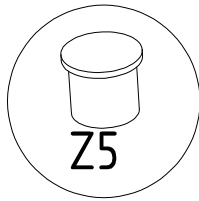
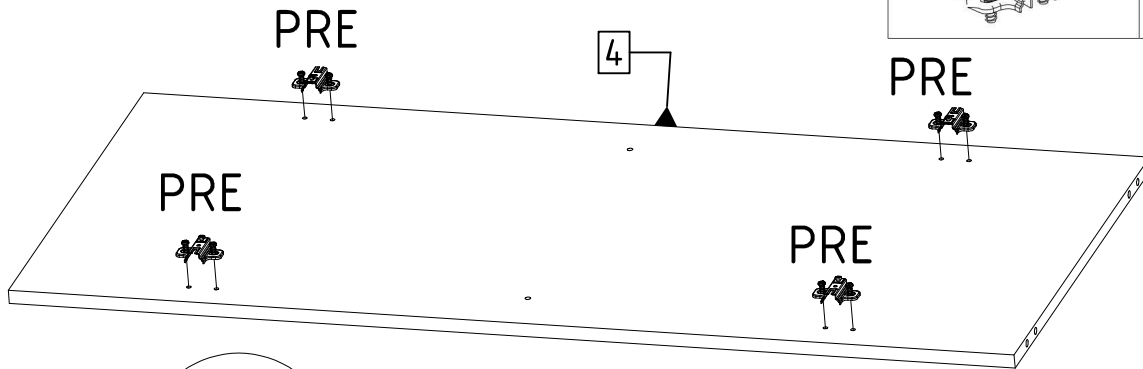
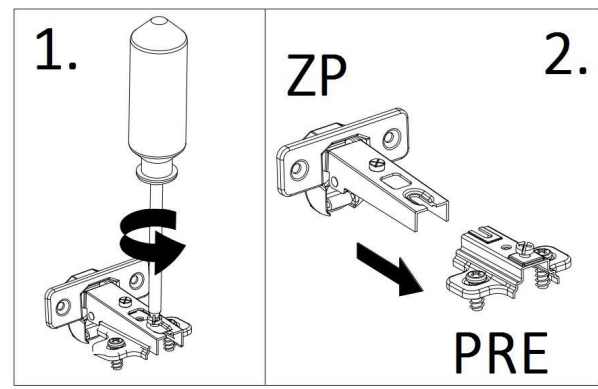


1.

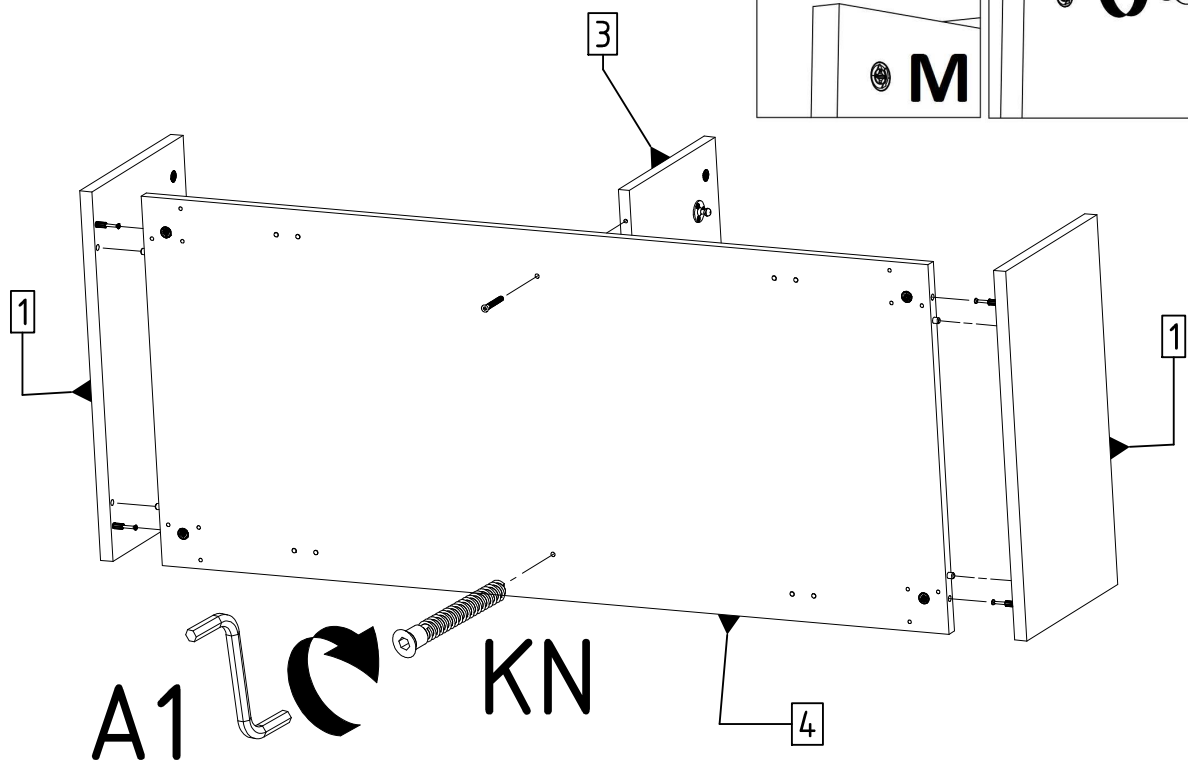
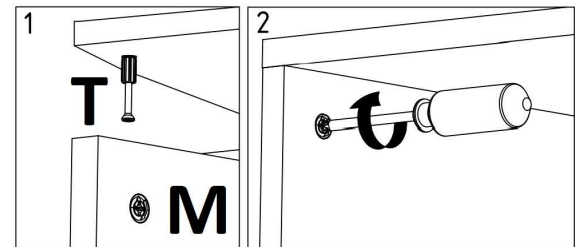


x2

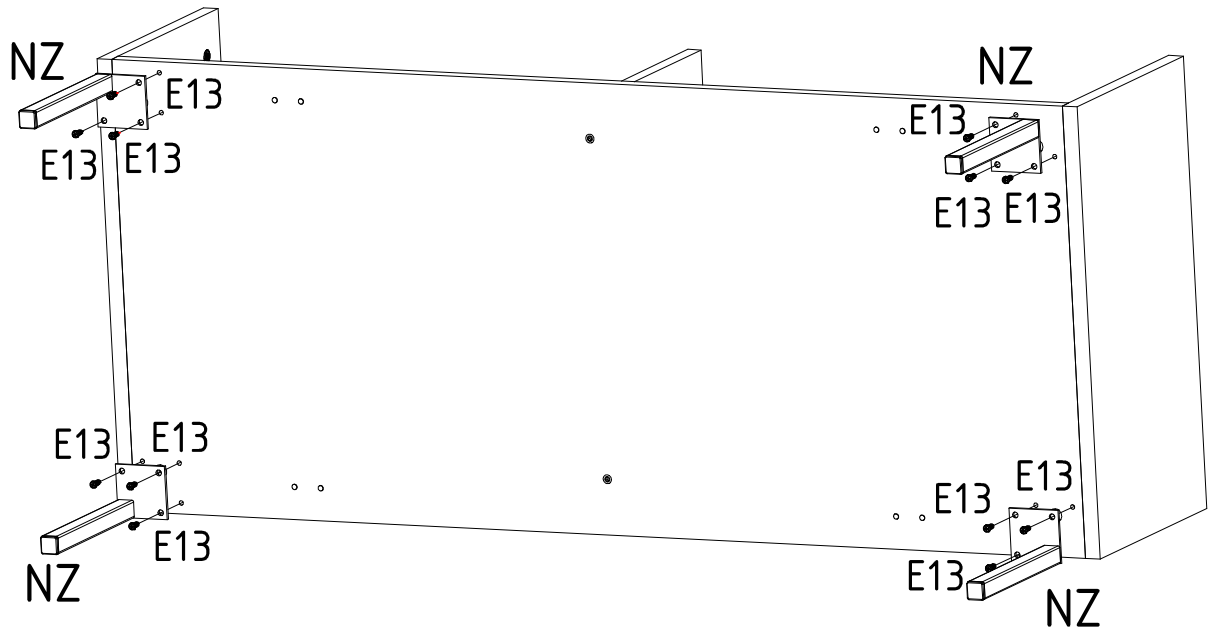
2.



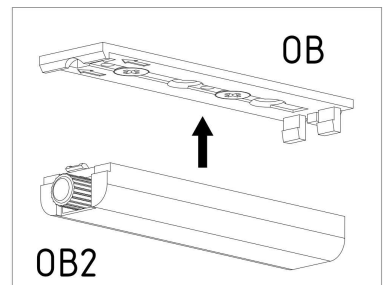
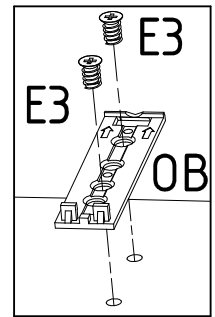
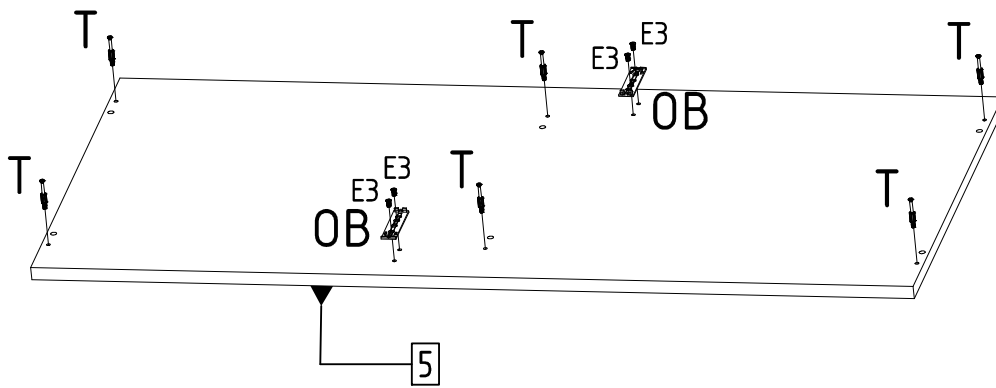
3.



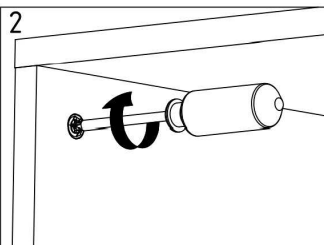
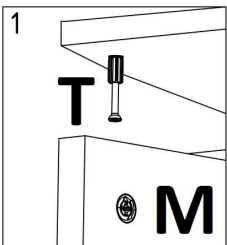
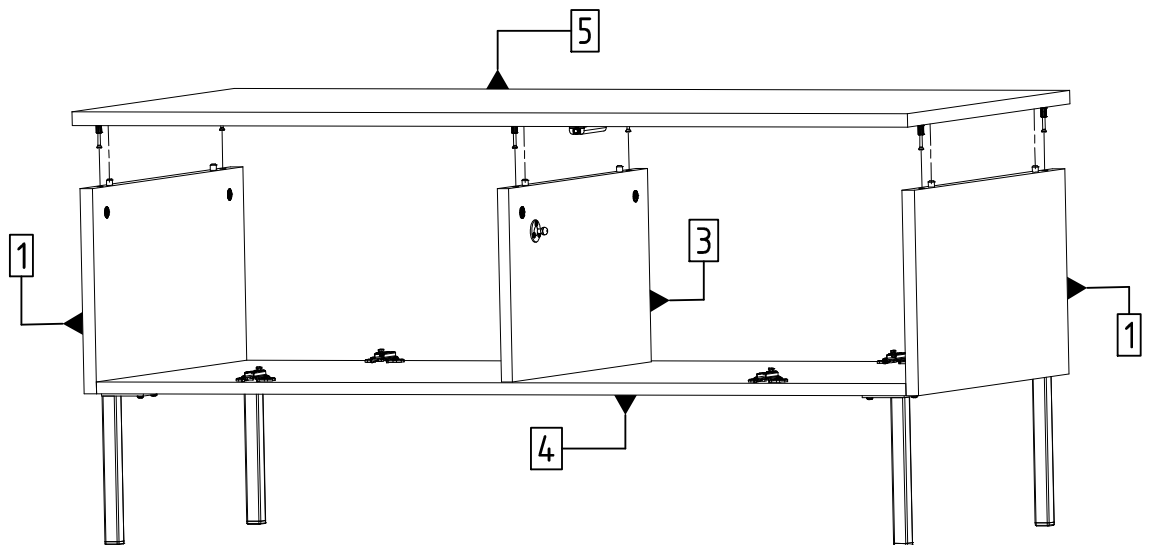
4.



5.



6.

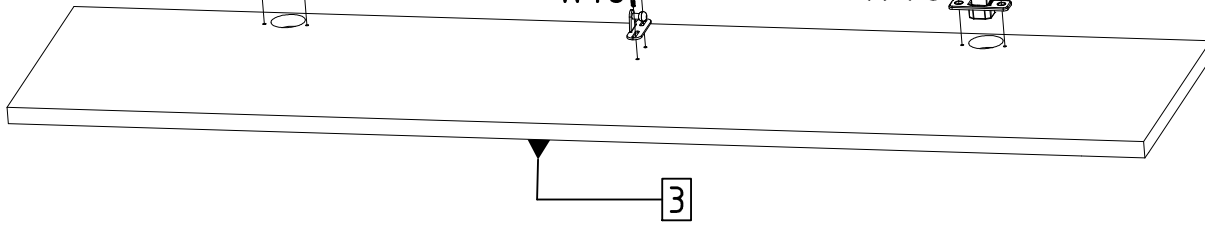
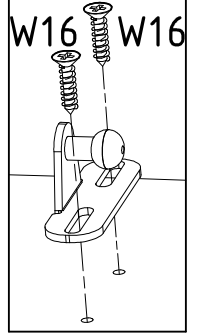


7.

ZP
W16

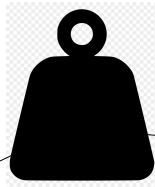
W16

ZP
W16



x2

8.



max.
15 kg

