

**Claim your extended 90 day product warranty
by registering your product at
www.meblefurniture.com/register**

**ATTENTION: DO NOT RETURN THIS PRODUCT!!!
PLEASE READ THE FOLLOWING!!!**

FOR REPLACEMENT/MISSING PARTS:

www.meblefurniture.com/parts

**FOR INSTRUCTION/ASSEMBLY MANUALS
AND VIDEOS:**

www.meblefurniture.com/assembly

ALL OTHER INQUIRIES:

help@meblefurniture.com

**IF YOU ARE MISSING PARTS OR YOUR
PRODUCT ARRIVED DAMAGED:**

Please fill out a parts request form at
www.meblefurniture.com/parts

Replacement parts are shipped out in one
business day. You will receive a tracking
number via email once your parts request
has been processed.

**IF YOU ARE MISSING AN INSTRUCTION
MANUAL OR NEED ASSEMBLY HELP:**

Please visit www.meblefurniture.com/assembly
to access our library of product assembly videos
or to download product instruction manuals.

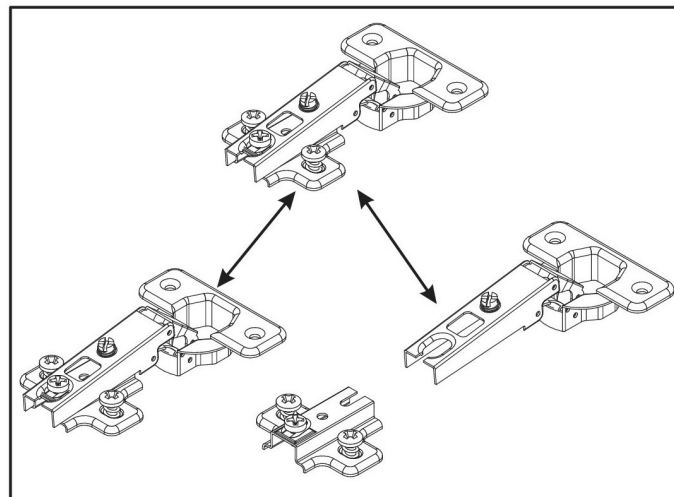
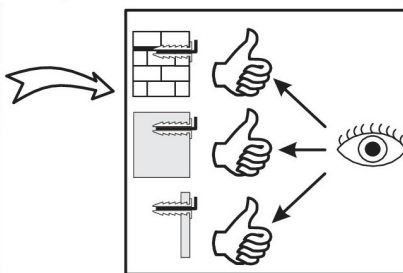
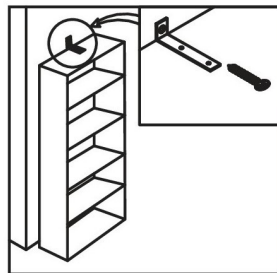
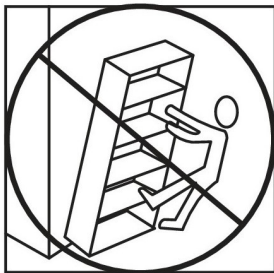
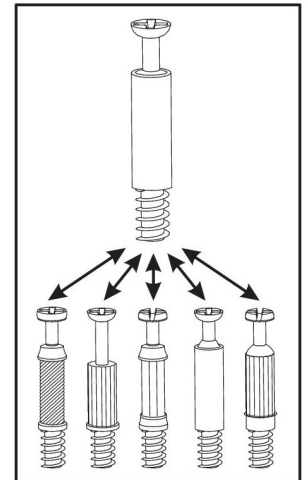
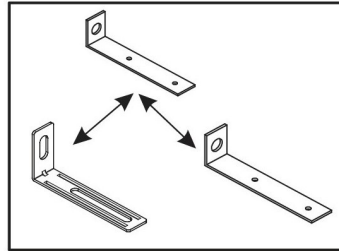
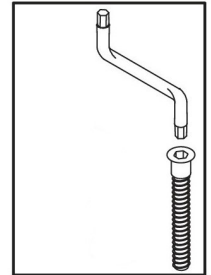
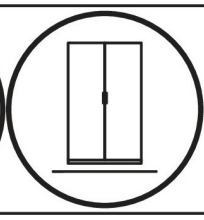
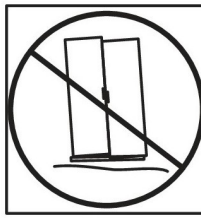
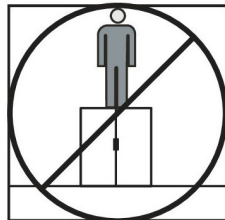
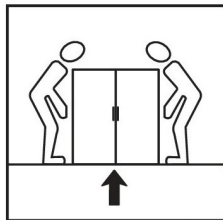
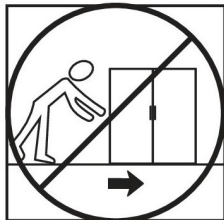
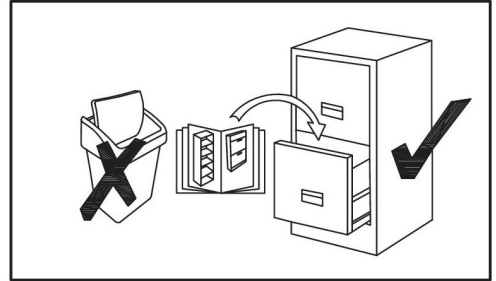
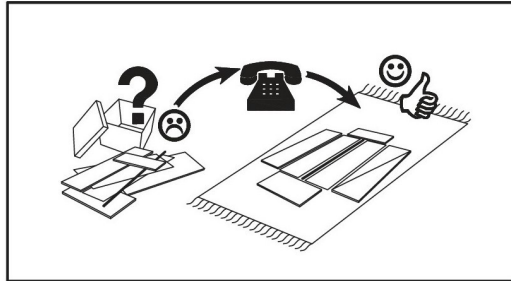
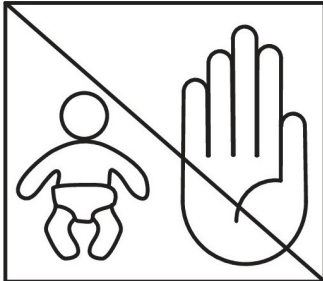
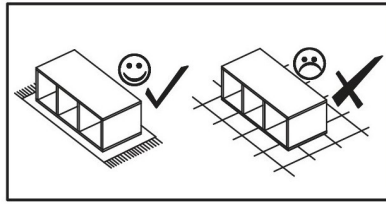
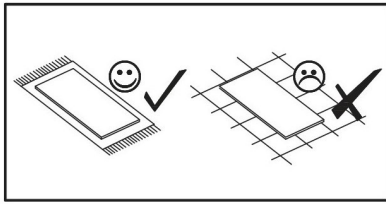
**NOTICE REGARDING HIGH GLOSS
PROTECTIVE FOIL AND PRODUCT CARE:**

After removing the protective foil from the gloss
fronts, the acrylic surface of the boards is still
soft and easy to scratch. With air contact, the
hygroscopic acrylic layer hardens, and the
board becomes more resistant to scratches.
It takes approximately 48 hours for the acrylic
layer of the board to fully harden.

**DO NOT CLEAN, WIPE, OR POLISH THE
ACRYLIC FRONTS FOR 48 HOURS AFTER
REMOVING THE PROTECTIVE FOIL!!!**



help@meblefurniture.com

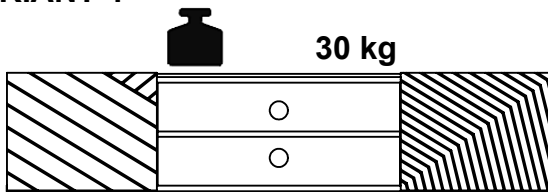


PORTILLO TV STAND

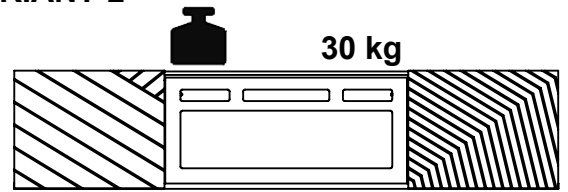
05-06-2023



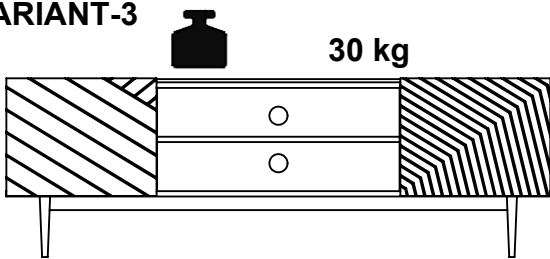
VARIANT-1



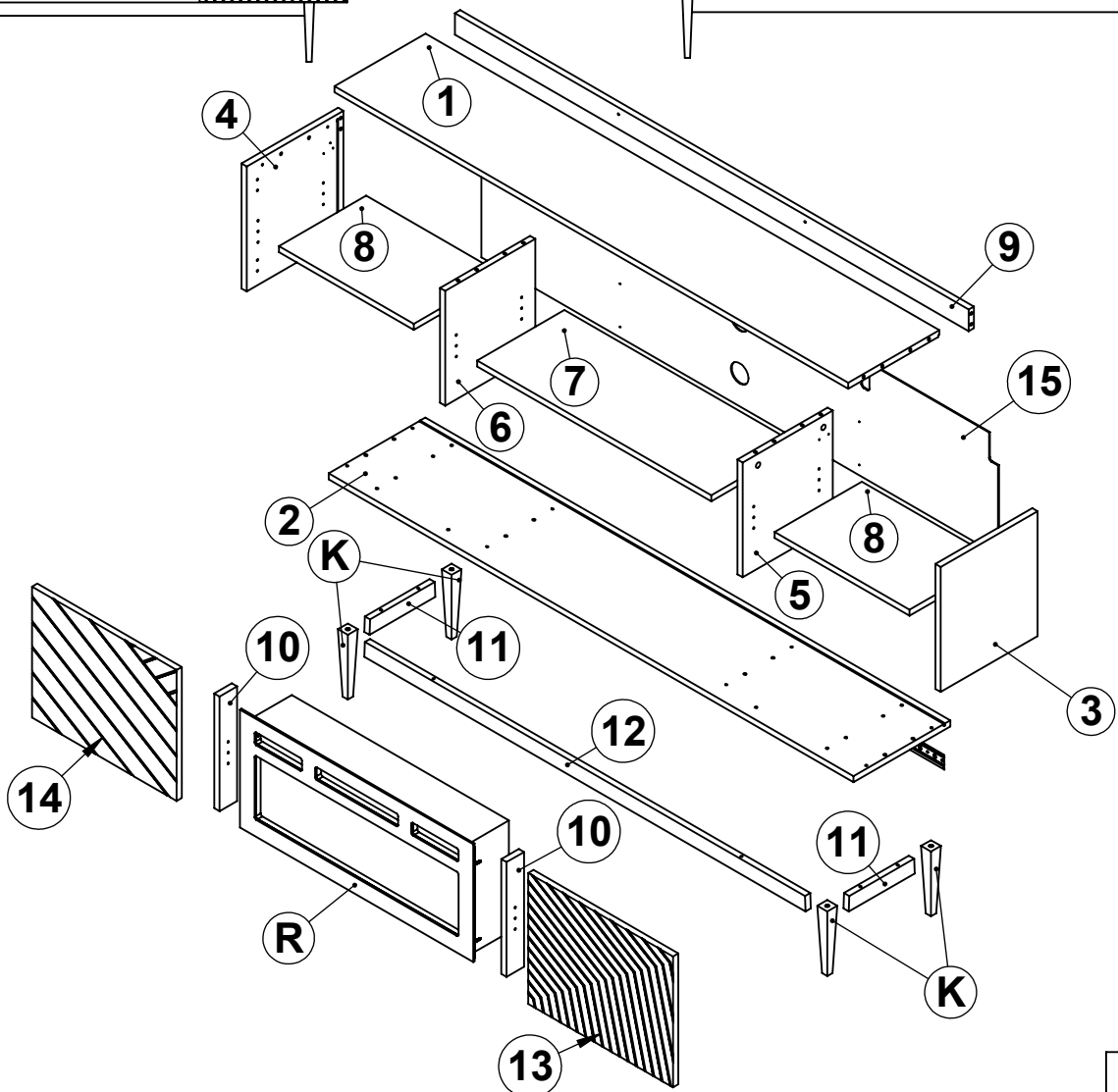
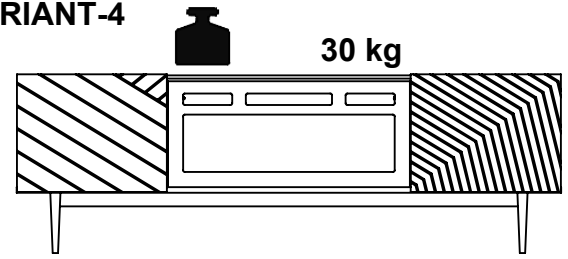
VARIANT-2

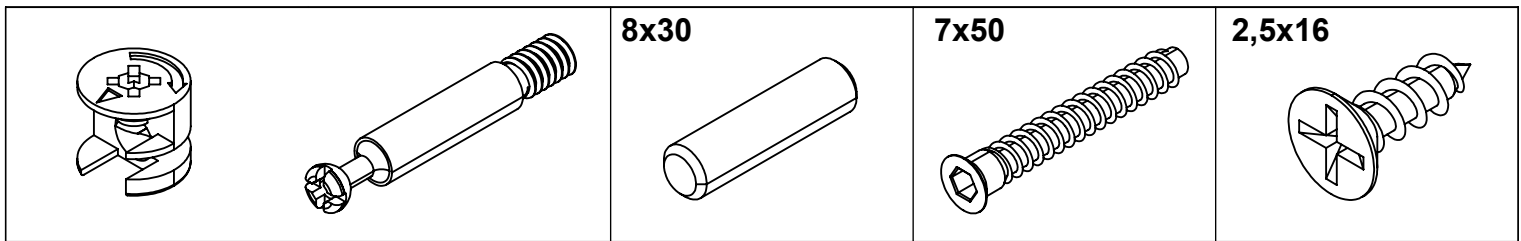


VARIANT-3

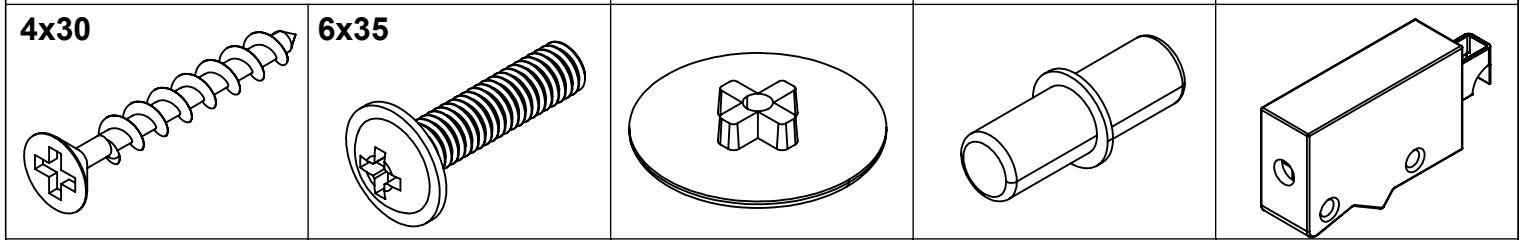


VARIANT-4

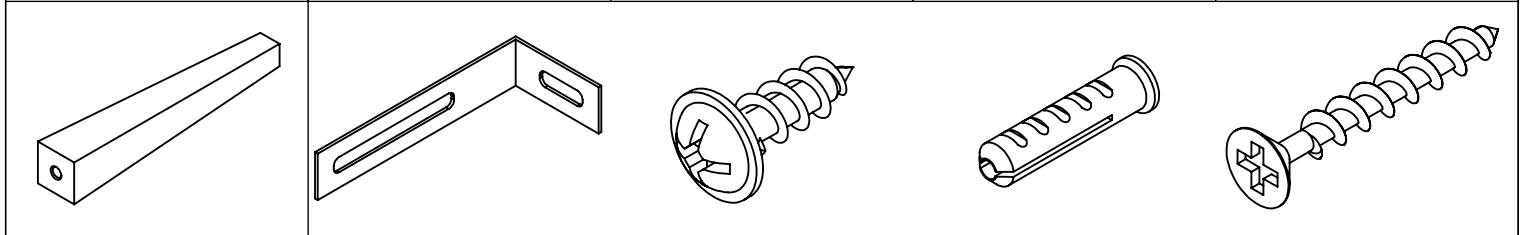




A x 10	B x 10	C x 20	D x 14	E x 6
---------------	---------------	---------------	---------------	--------------



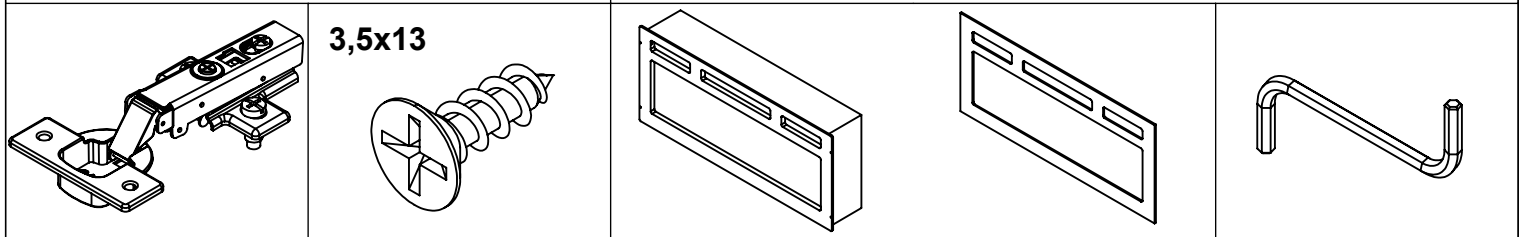
F x 12	G x 4	H x 10	I x 12	J x 4
---------------	--------------	---------------	---------------	--------------



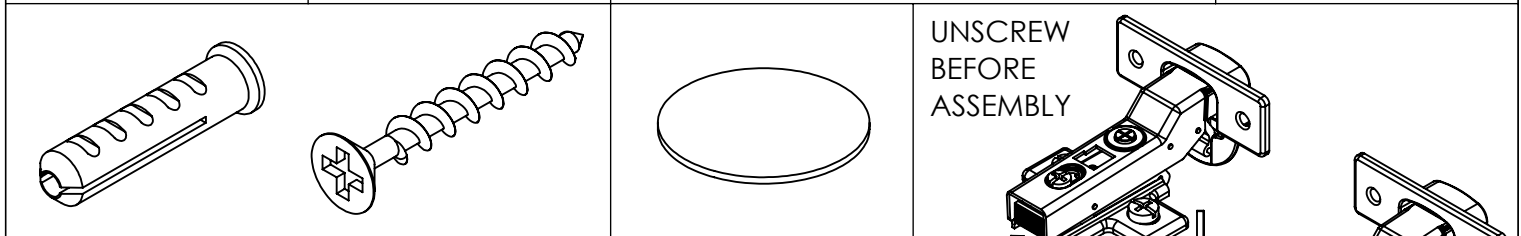
K x 4	L1 x 2	L2 x 2	L3 x 2	L4 x 2
--------------	---------------	---------------	---------------	---------------



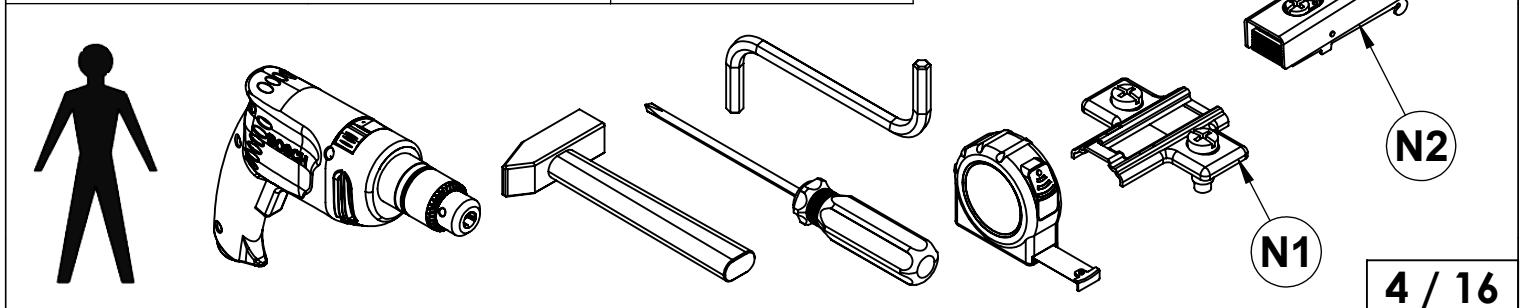
M x 1	
--------------	--



N1/N2 x 4/4	N3 x 8	R1 x 1 / R2 x 1	IMBUS
--------------------	---------------	-------------------------------	--------------

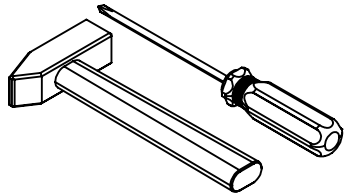


S1 x 2	S2 x 2	T x 10
---------------	---------------	---------------

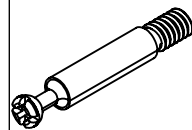


STEP - 1

VARIANT-1.2.3.4

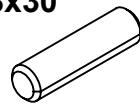


A x 10

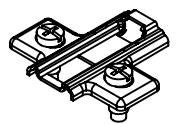


B x 10

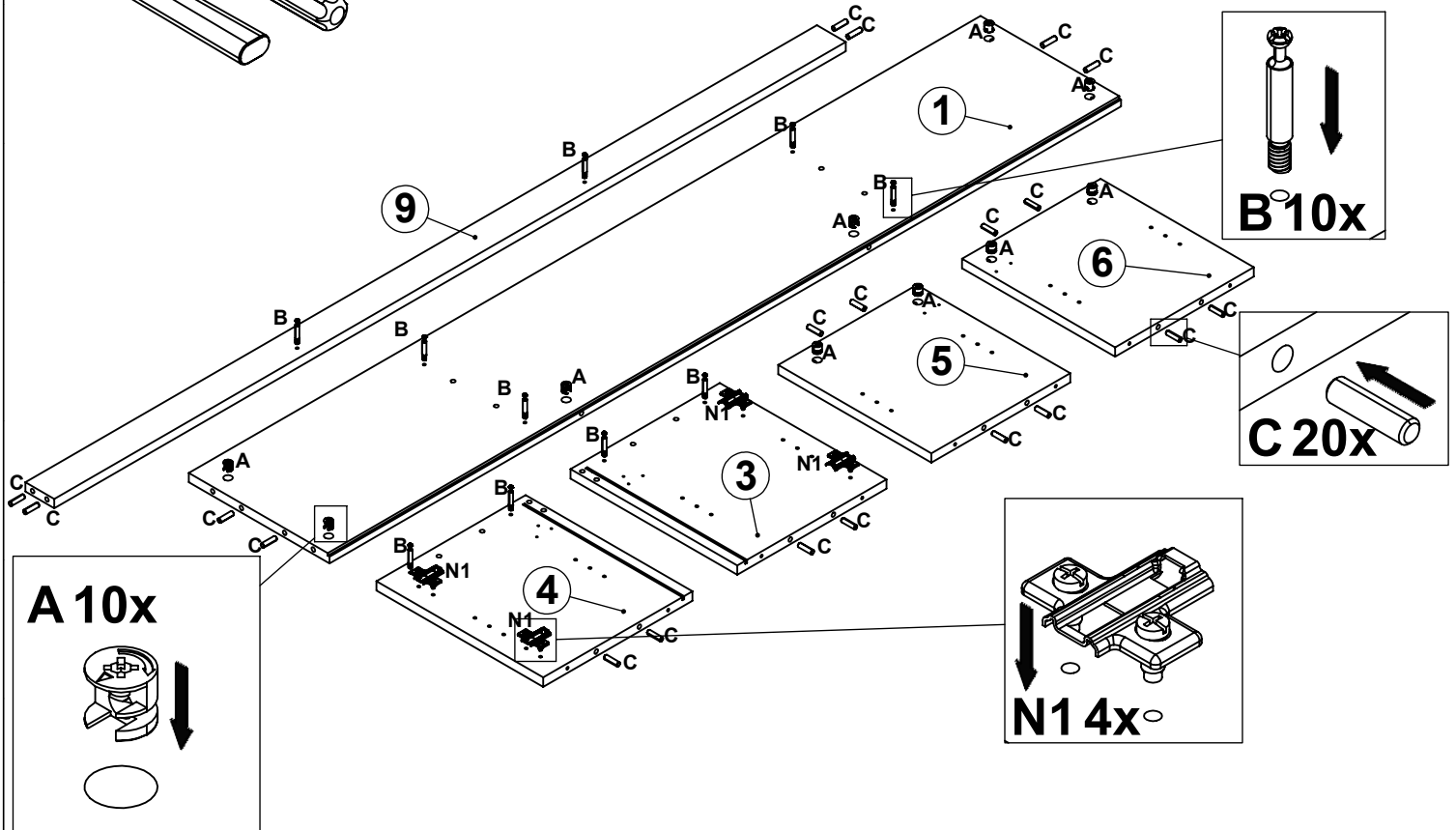
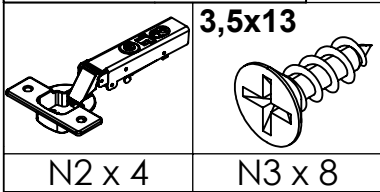
8x30



C x 20



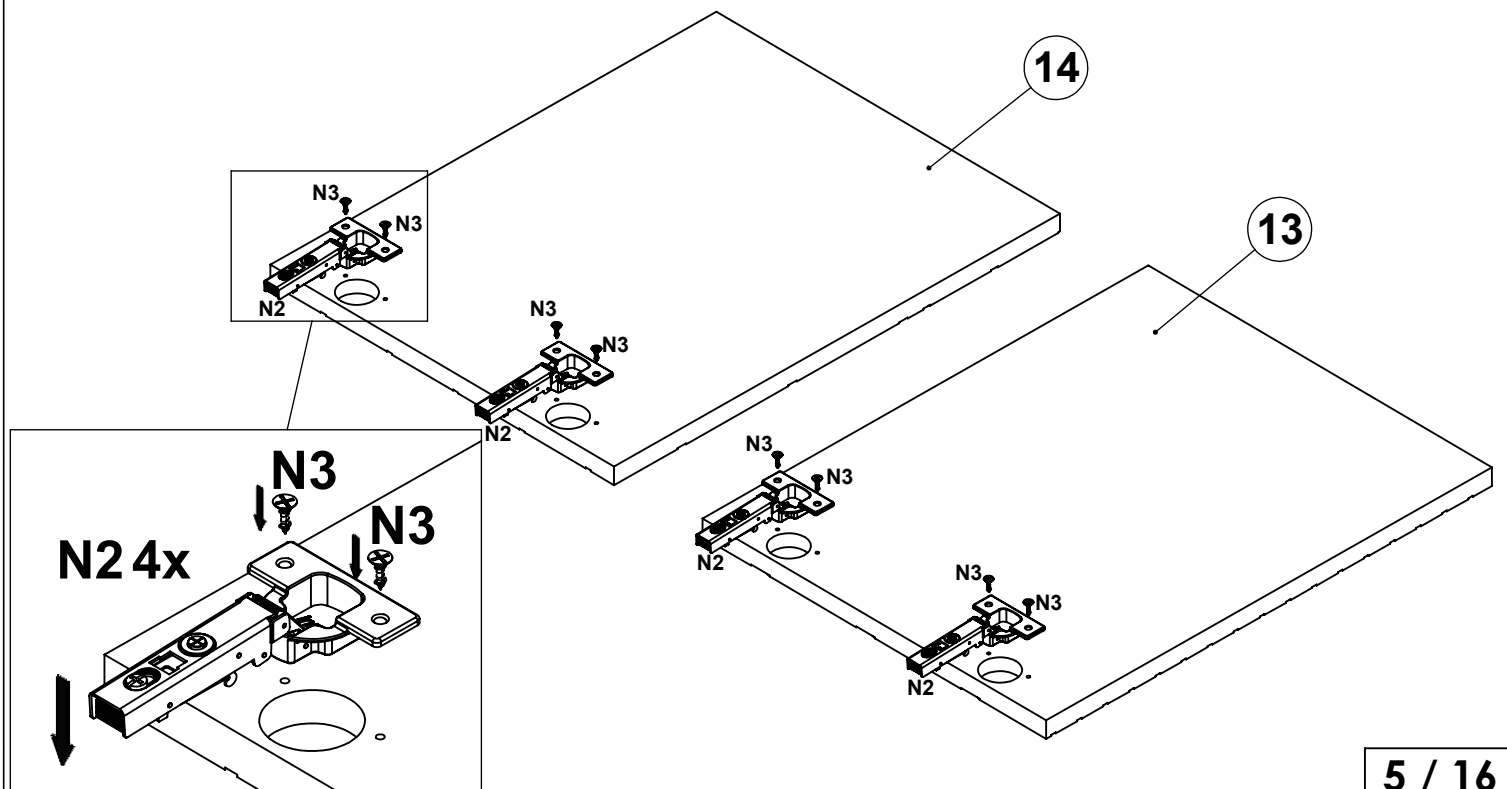
N1 x 4

**STEP - 2**

3,5x13

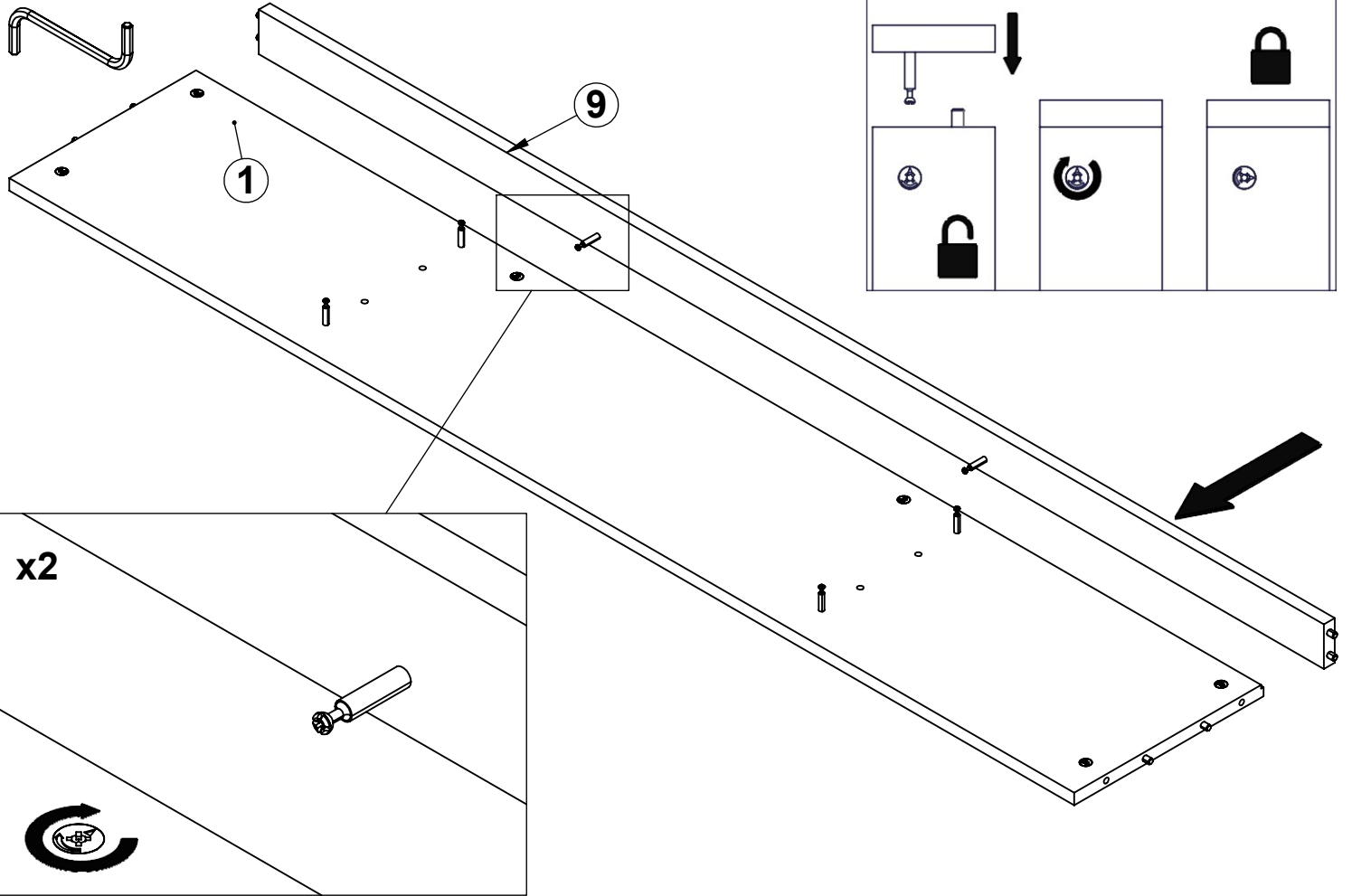
N2 x 4

N3 x 8



STEP - 3

VARIANT-1.2.3.4

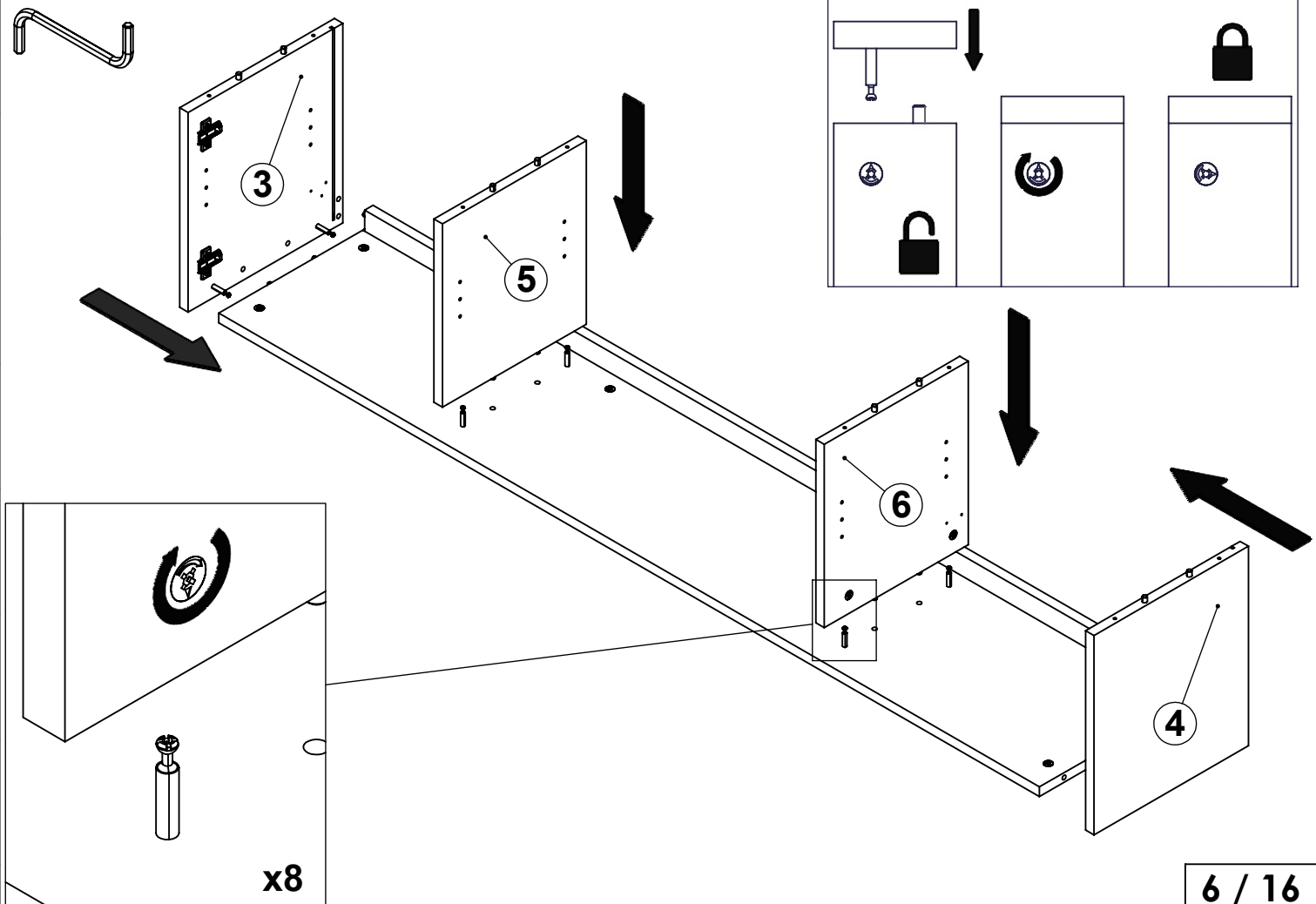


x2



STEP - 4

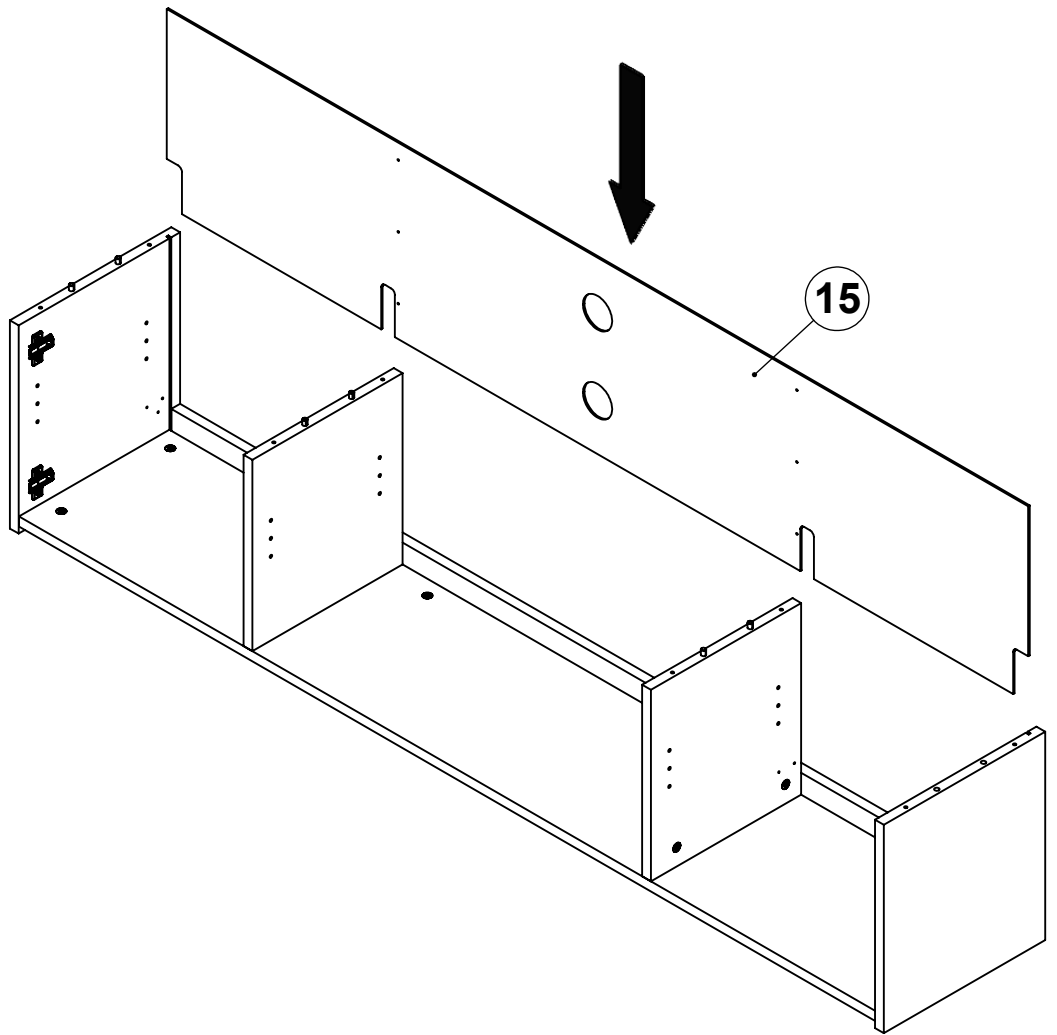
VARIANT-1.2.3.4



x8

STEP - 5

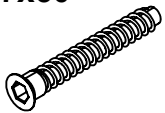
VARIANT-1.2.3.4



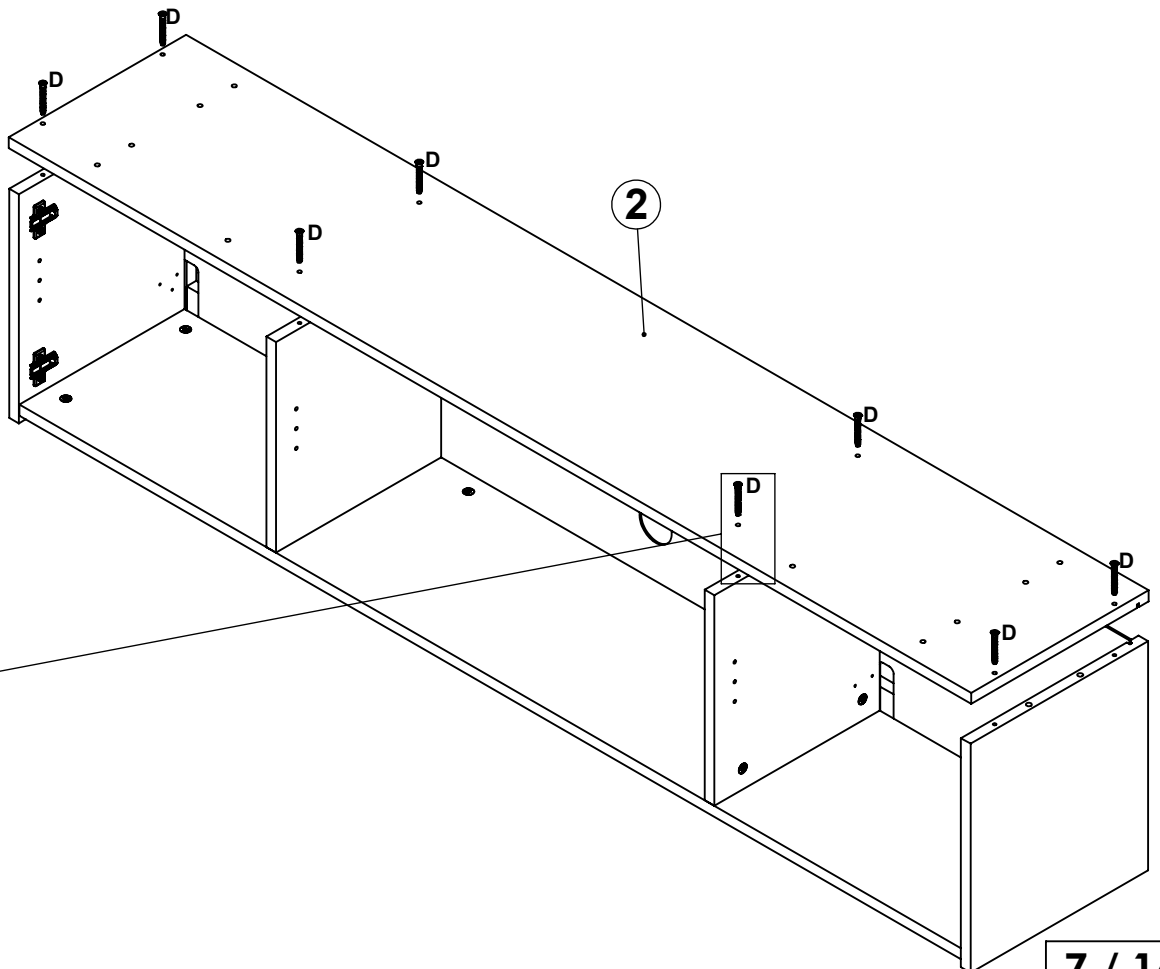
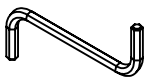
STEP - 6

VARIANT-1.2.3.4

7x50



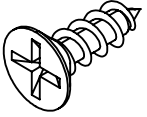
D x 8



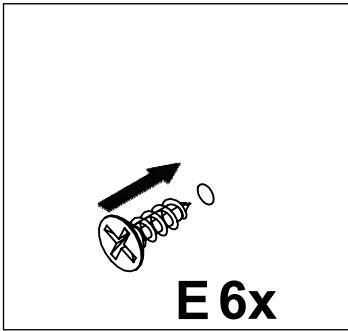
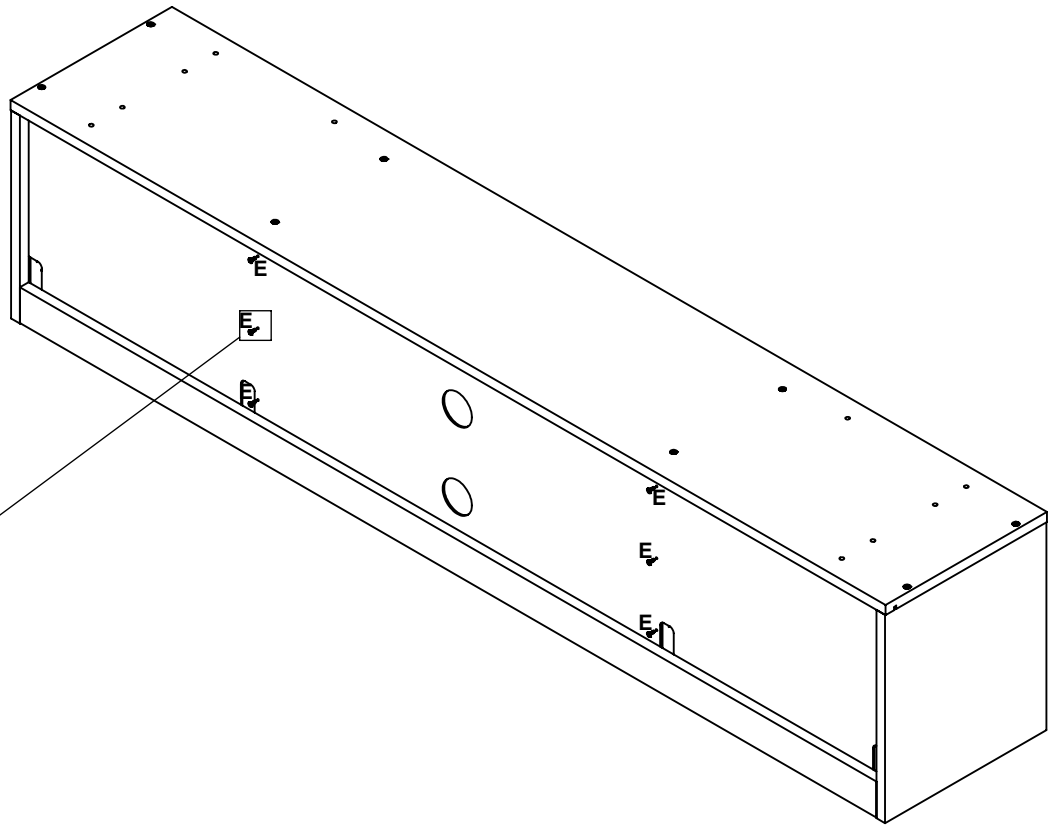
STEP - 7

VARIANT-1.2.3.4

2,5x16

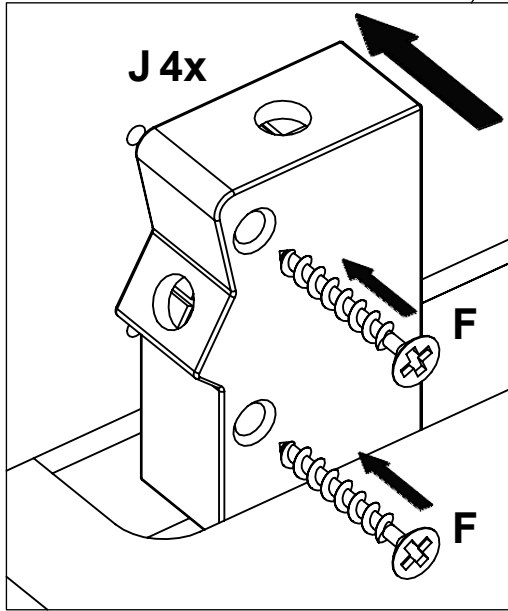
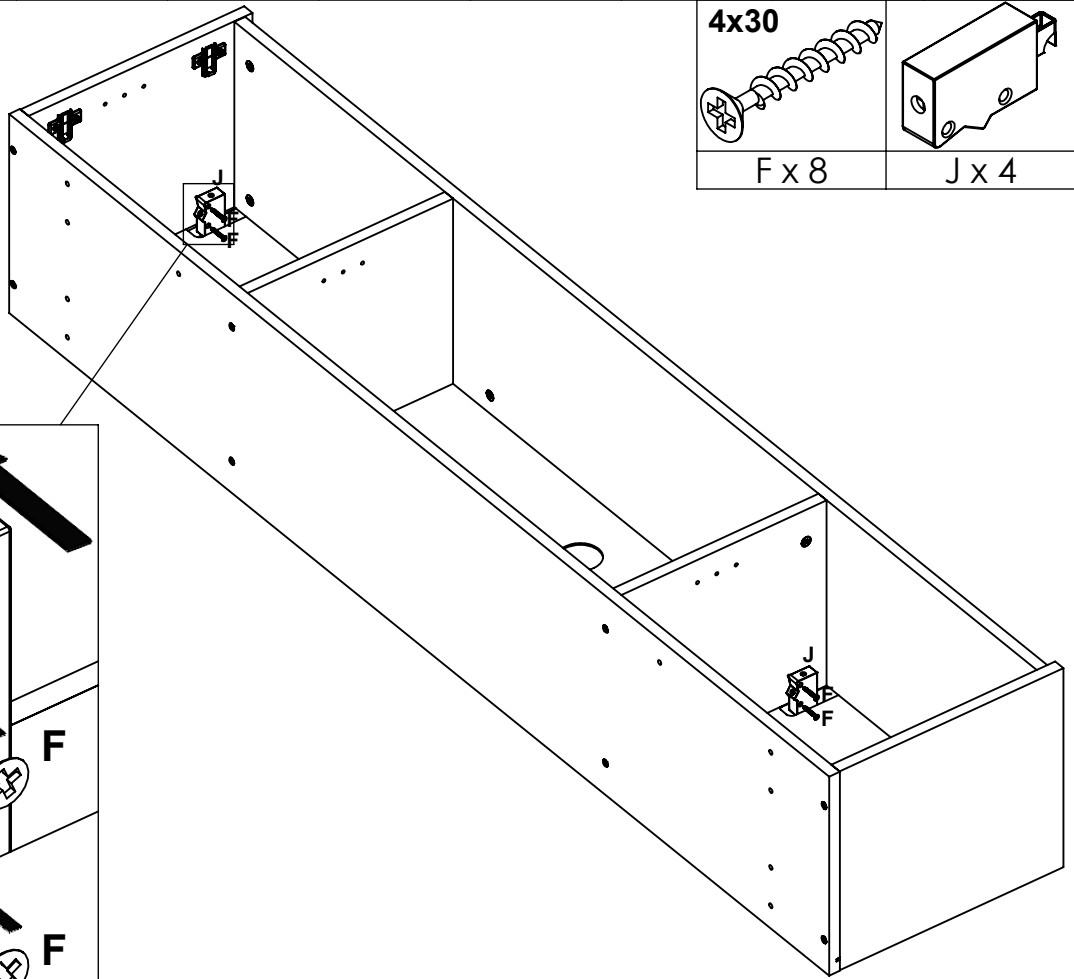
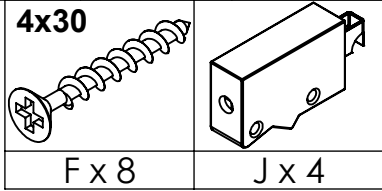
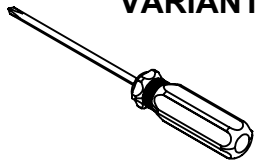


E x 6



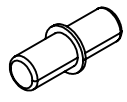
STEP - 8

VARIANT-1

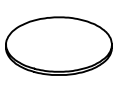


STEP - 9

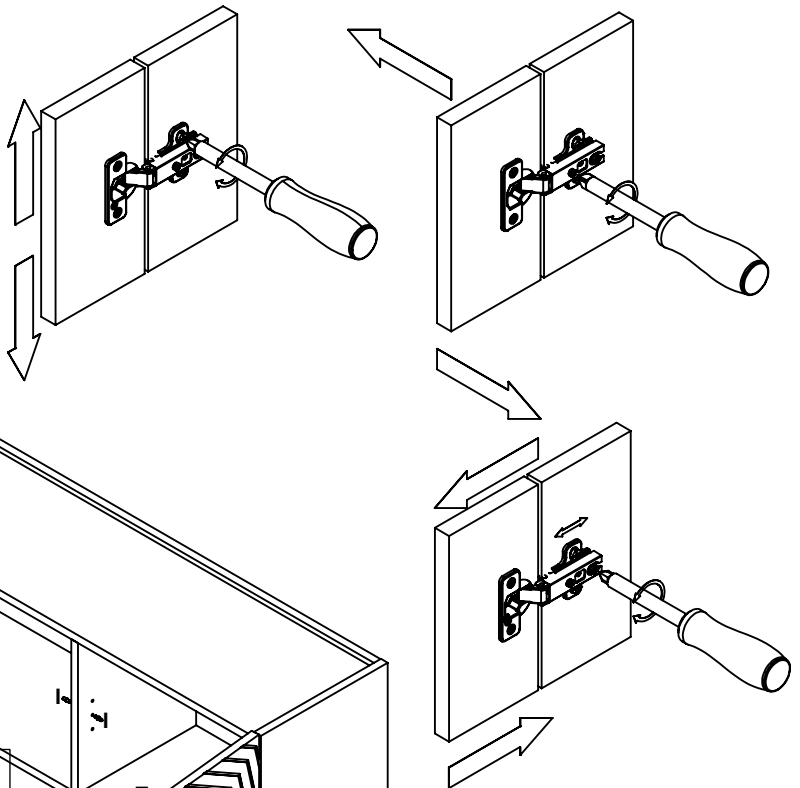
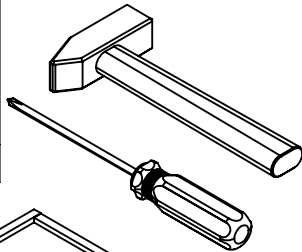
VARIANT-1



I x 12



T x 10



14

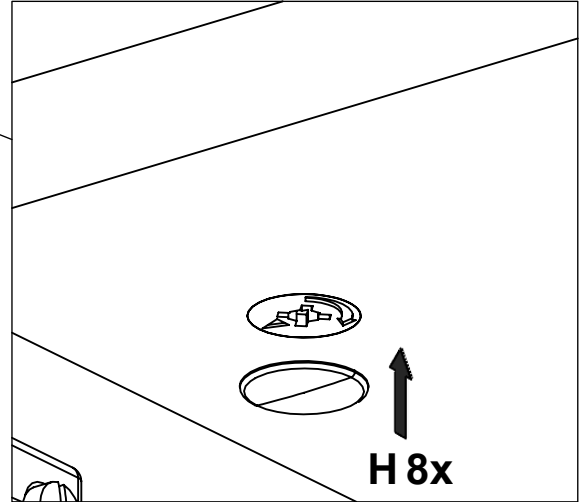
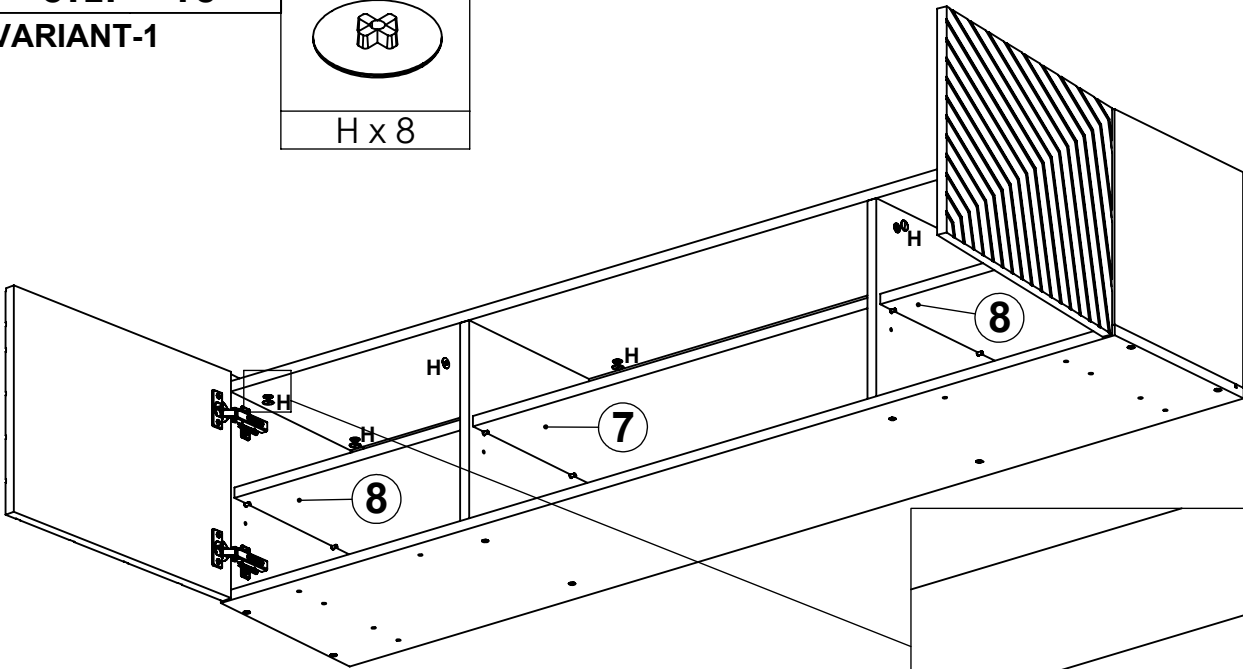
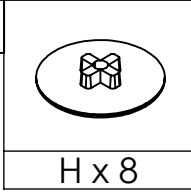
T 10x



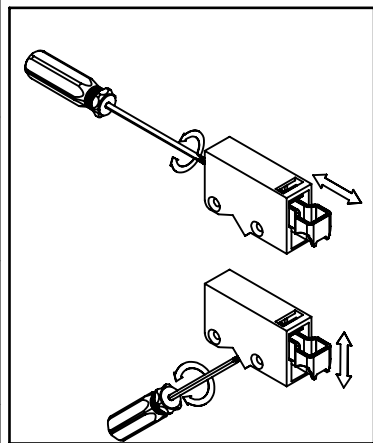
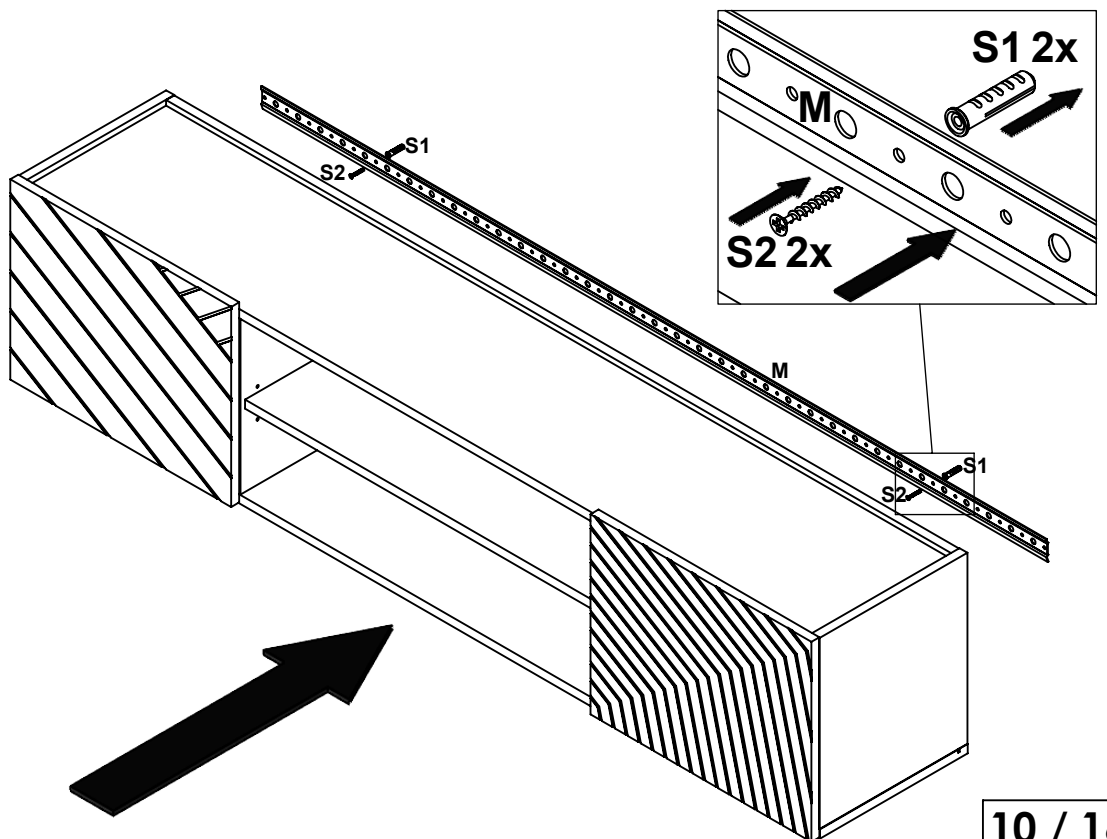
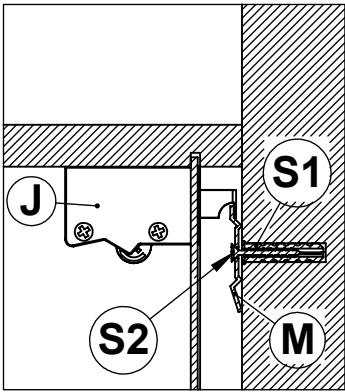
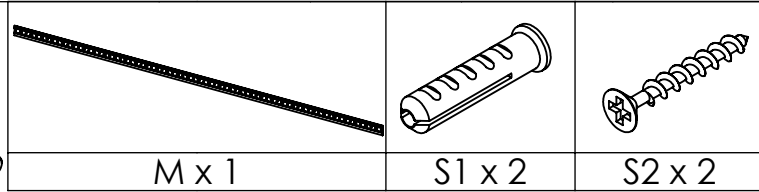
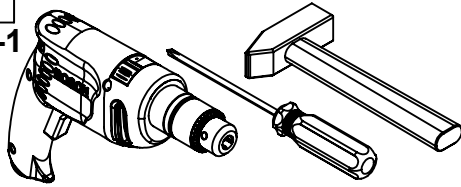
I 12x

13

STEP - 10
VARIANT-1

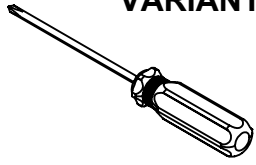


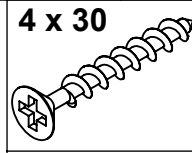
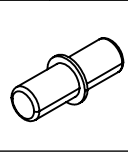
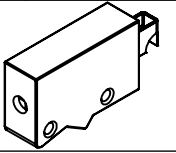
STEP - 11
VARIANT-1

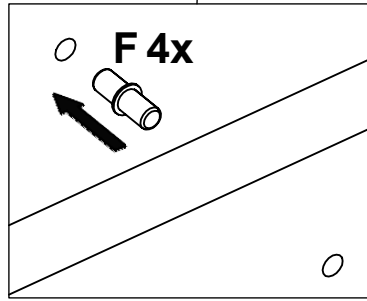
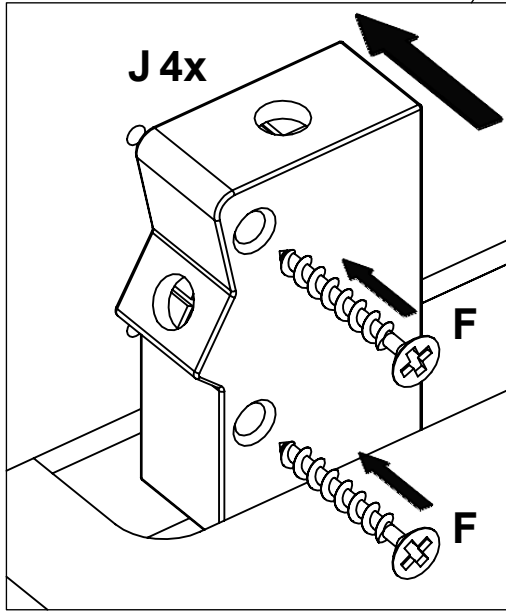
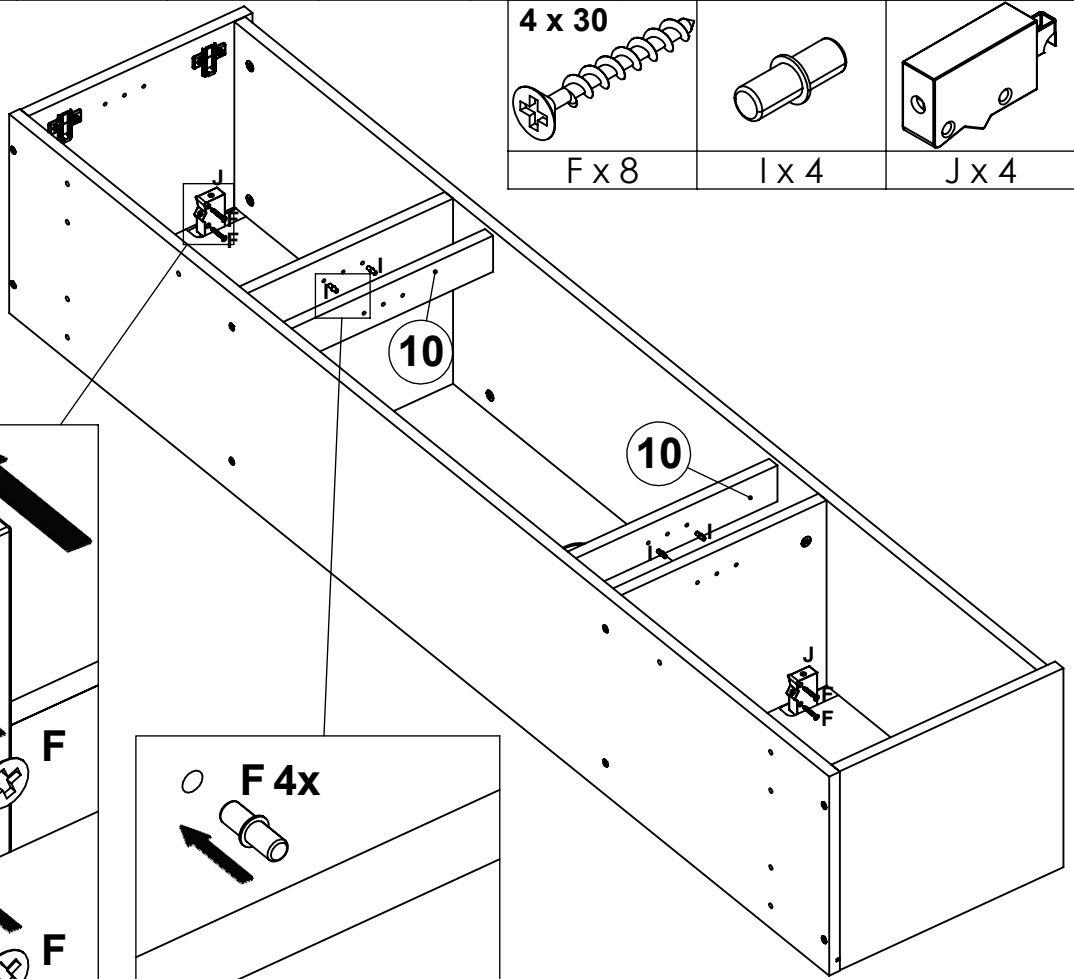


STEP - 8

VARIANT-2

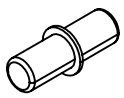


 4 x 30	 I x 4	 J x 4
F x 8	I x 4	J x 4



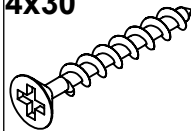
STEP - 9

VARIANT-2



I x 8

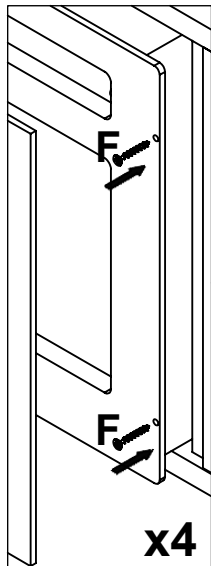
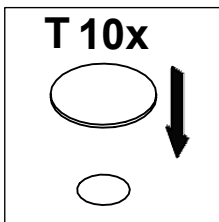
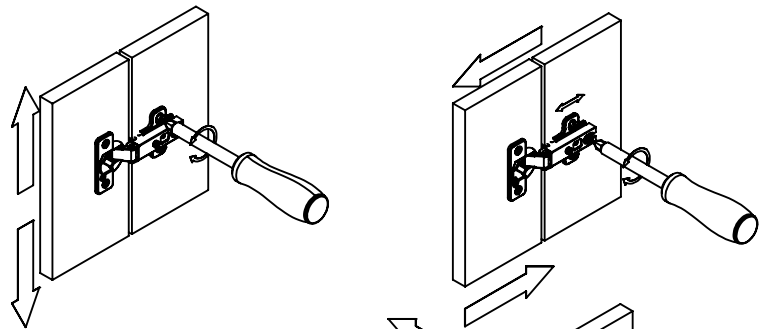
4x30



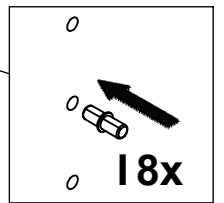
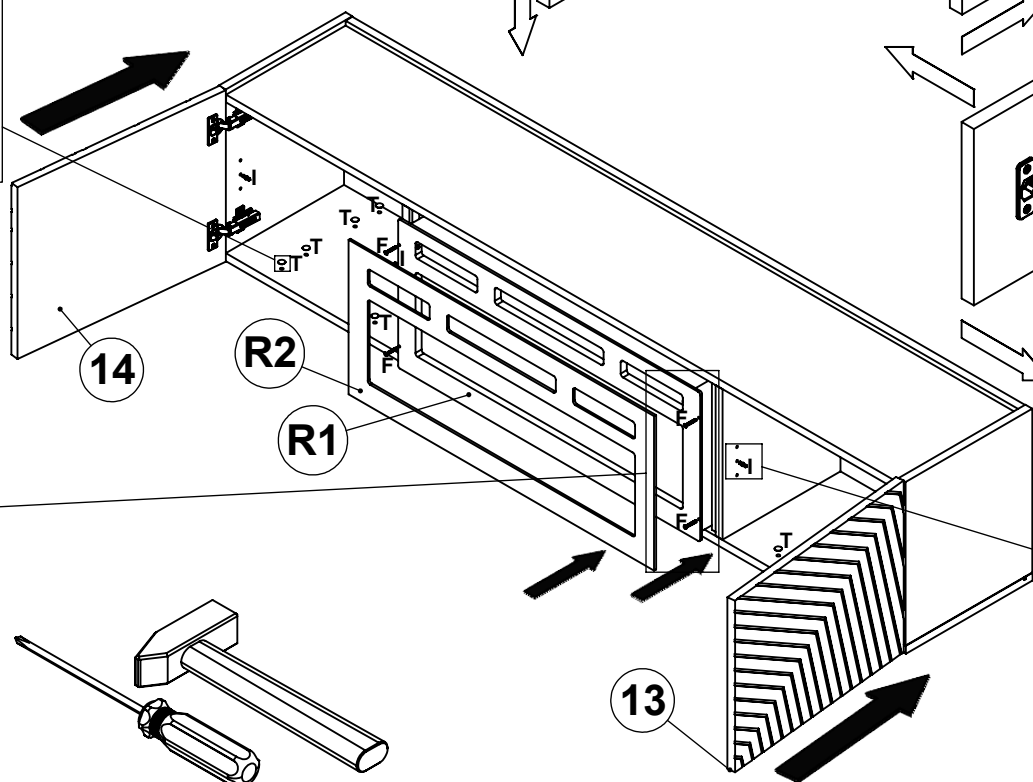
F x 4



T x 10

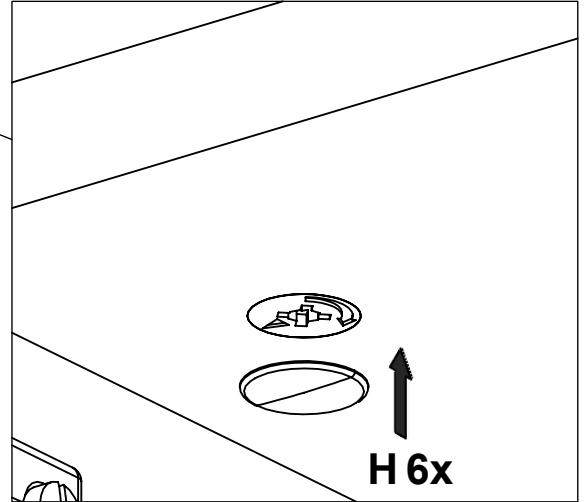
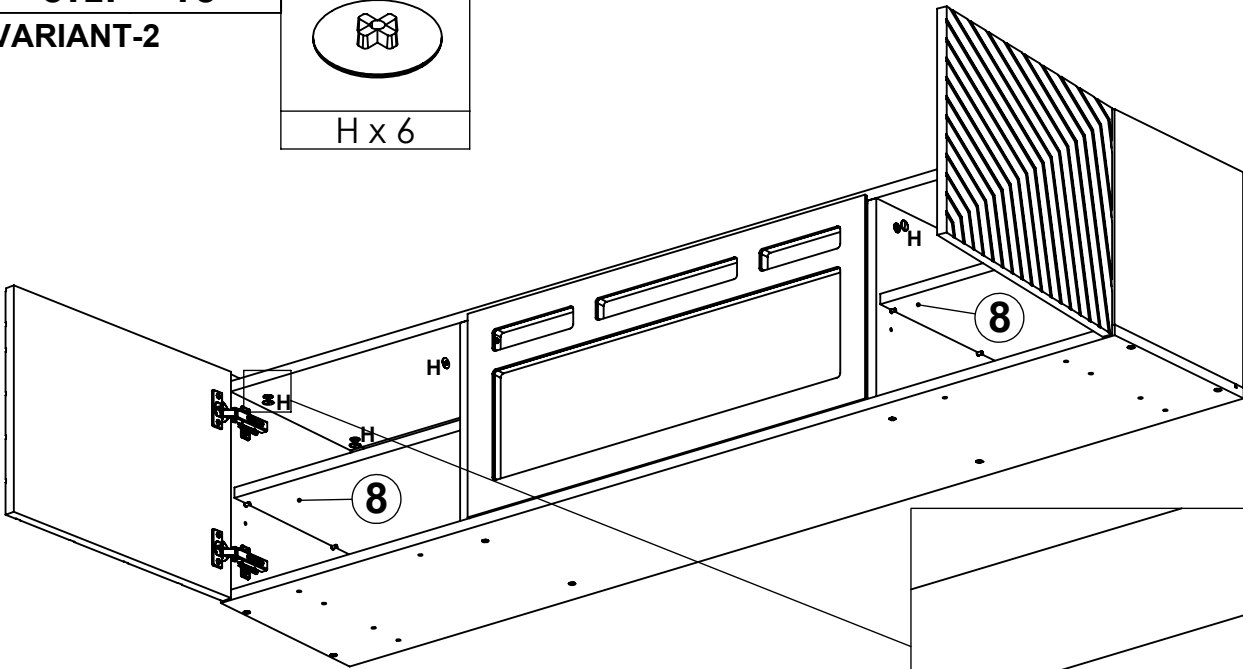
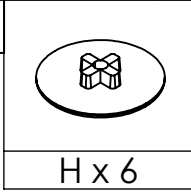


x4

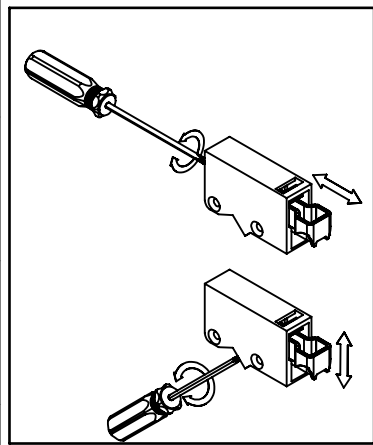
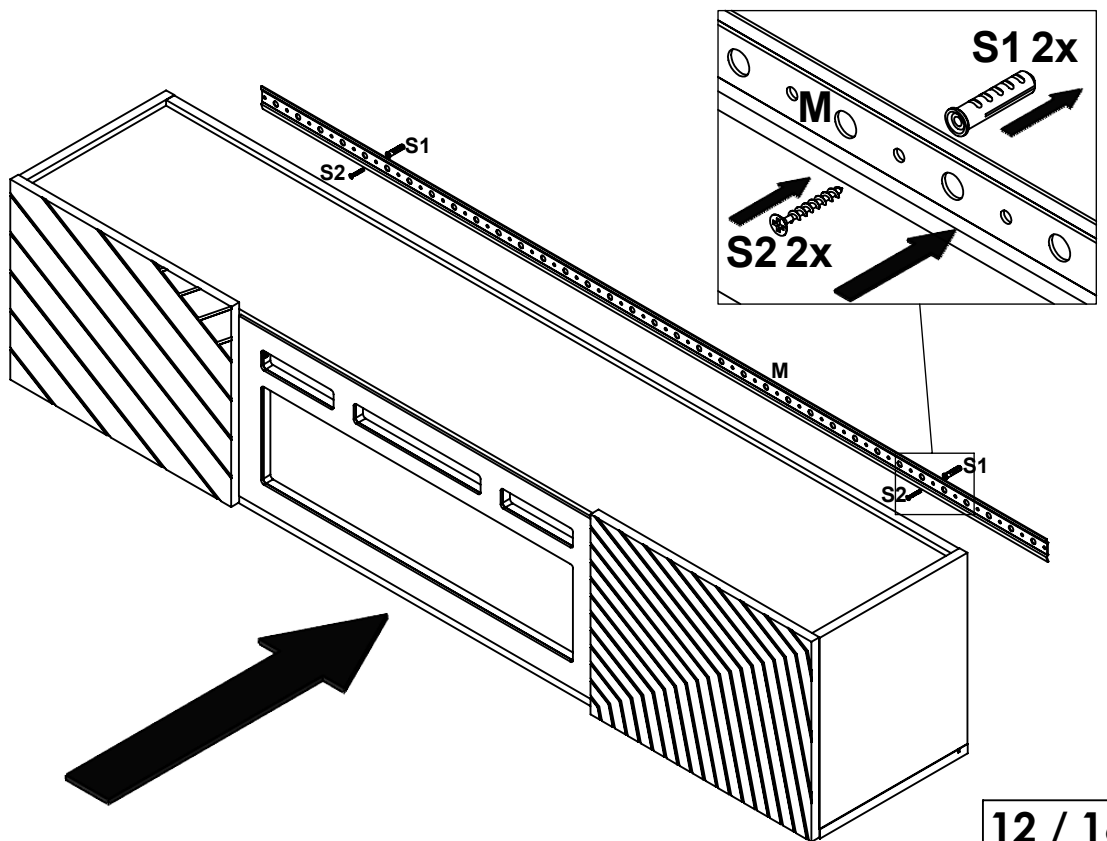
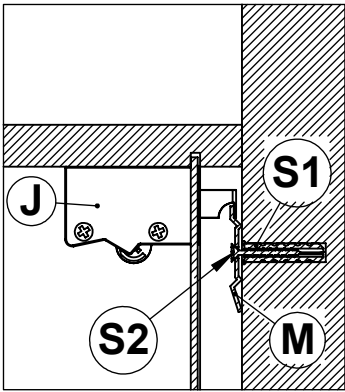
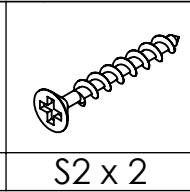
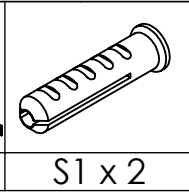
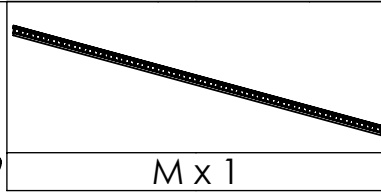
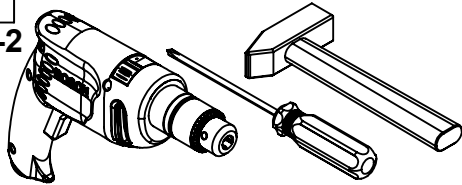


I 18x

STEP - 10
VARIANT-2

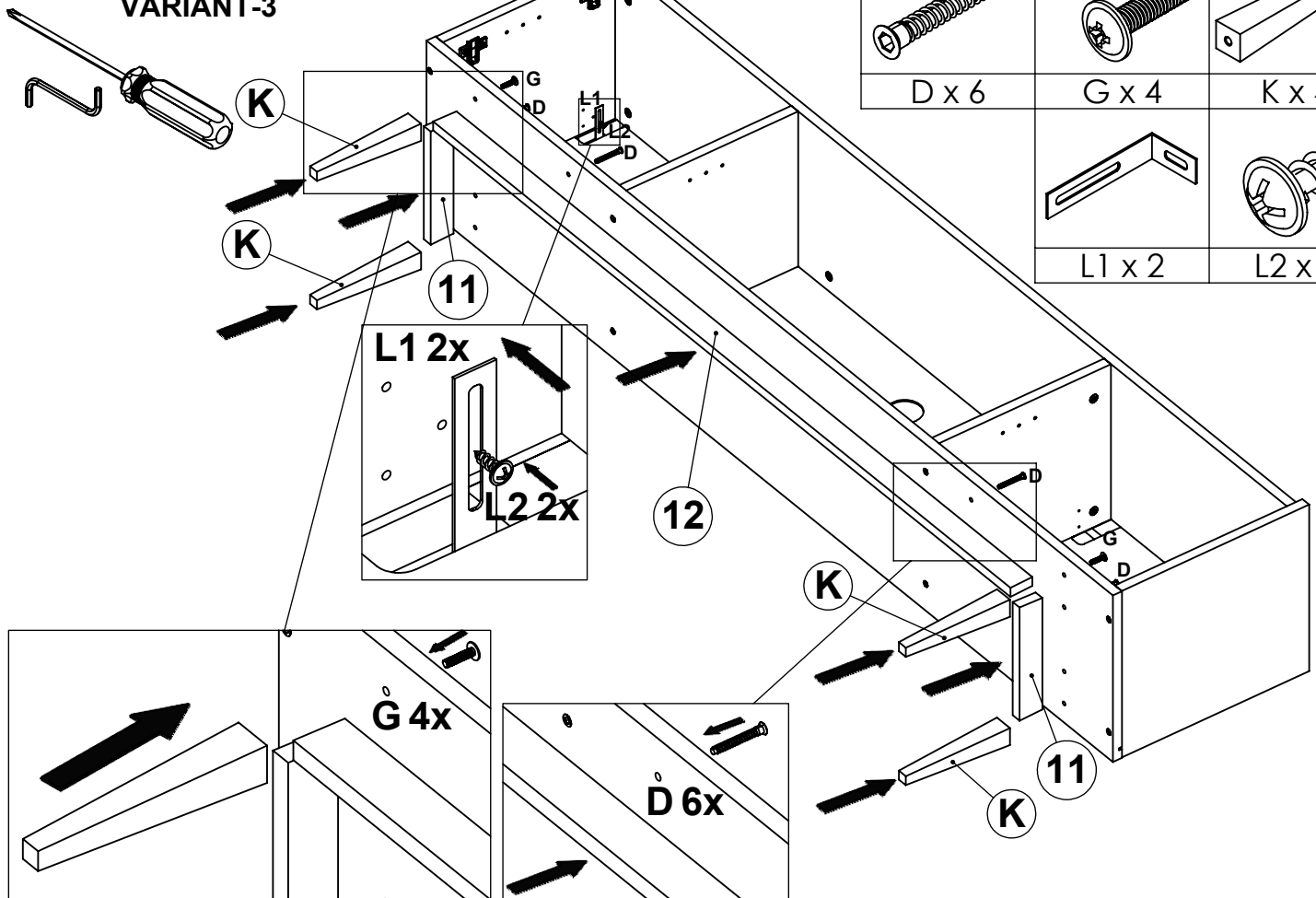


STEP - 11
VARIANT-2



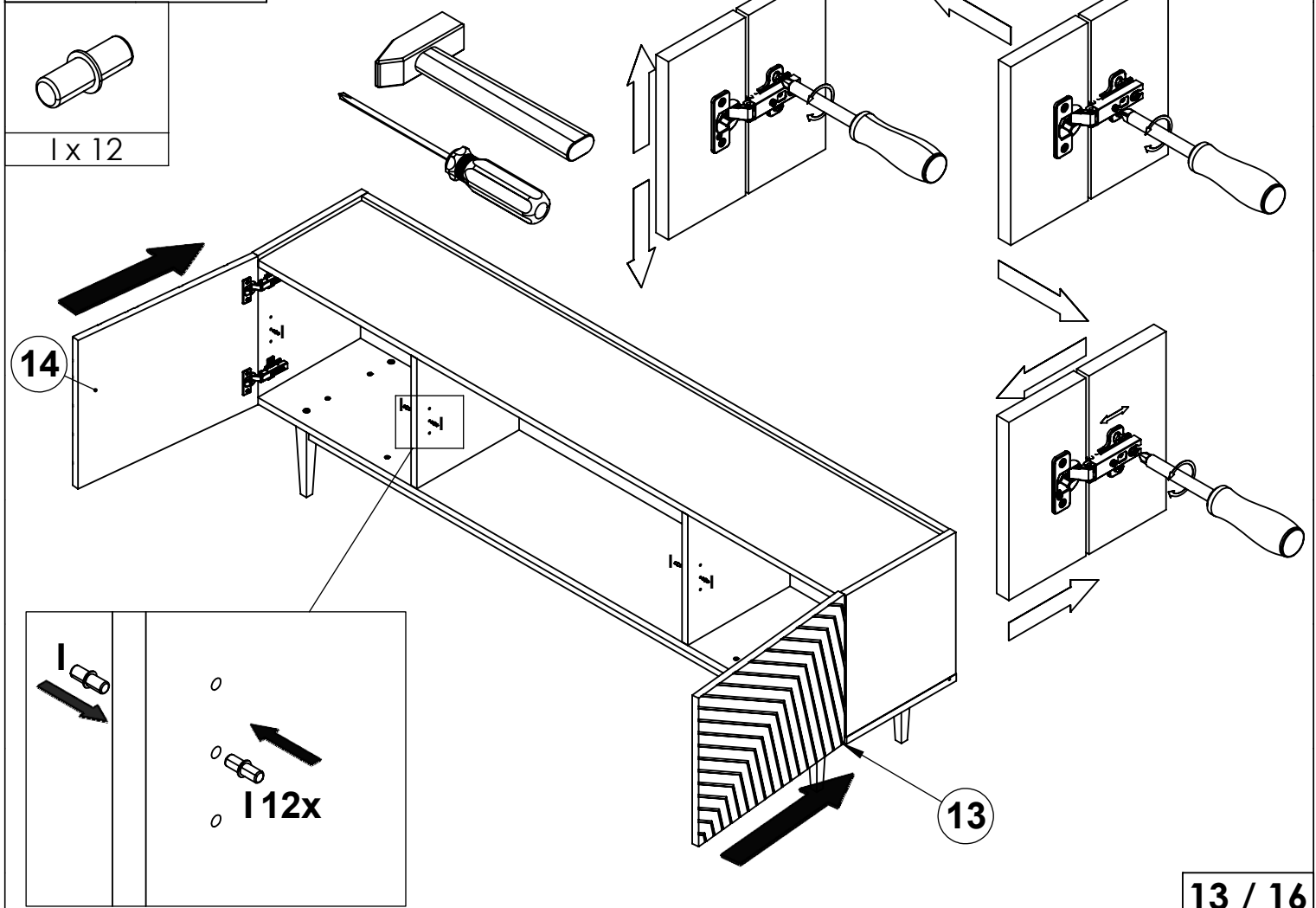
STEP - 8

VARIANT-3

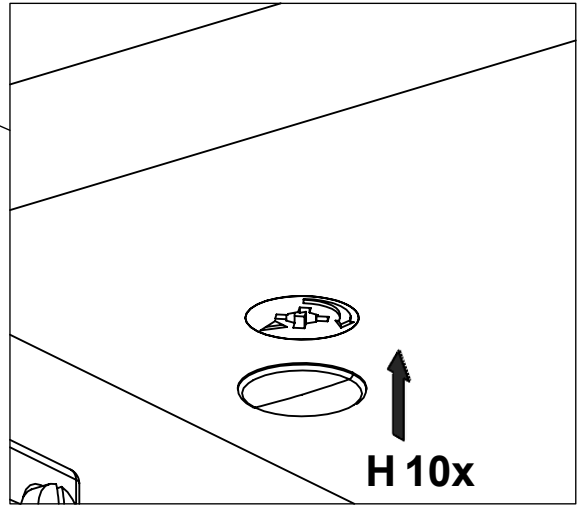
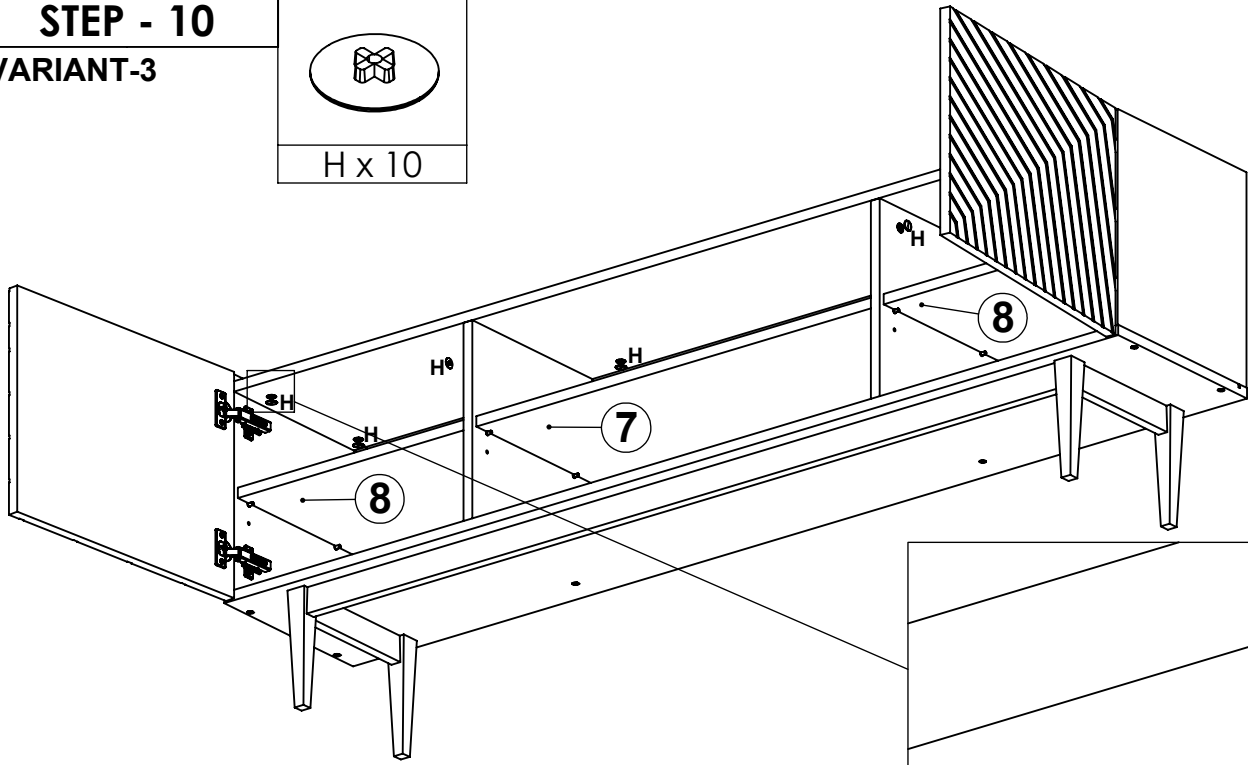
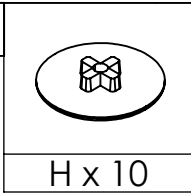


STEP - 9

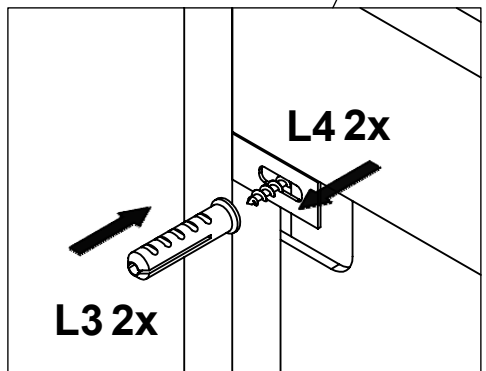
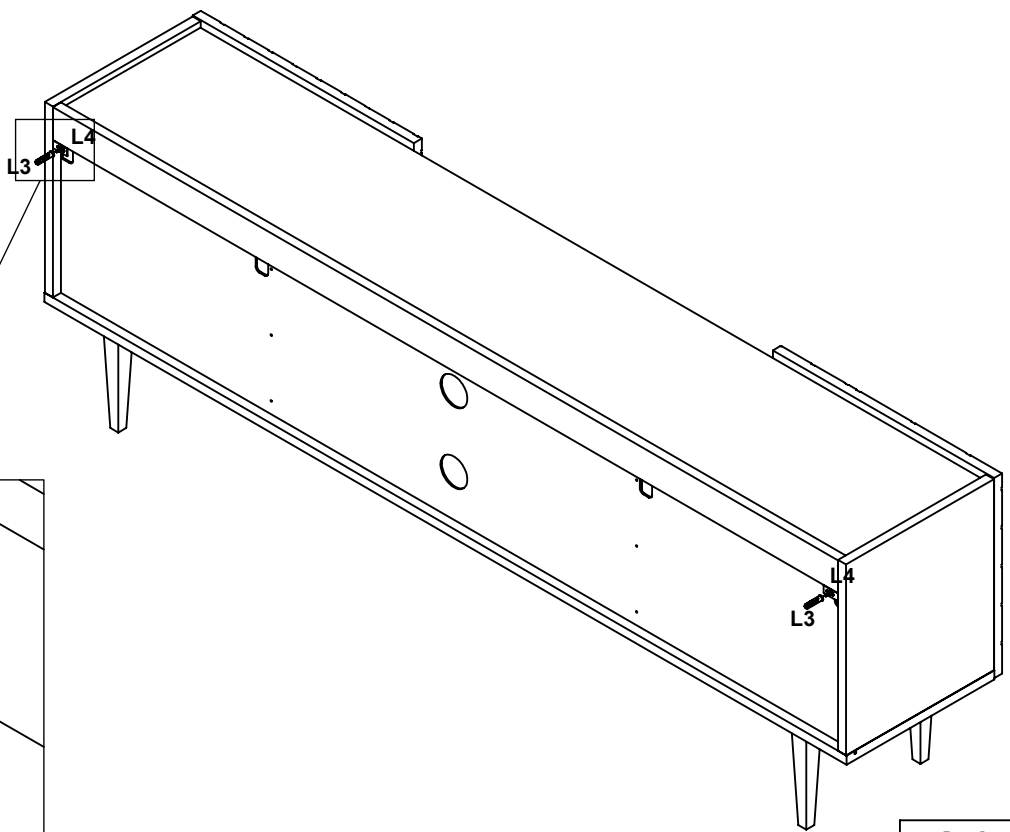
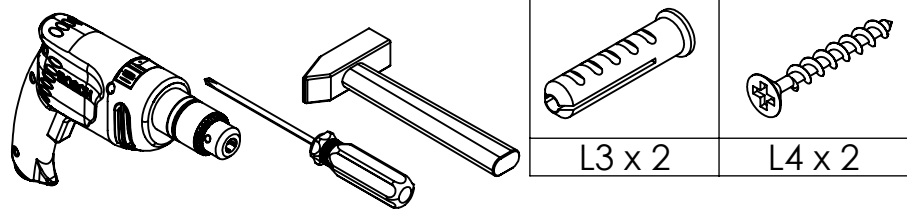
VARIANT-3



STEP - 10
VARIANT-3

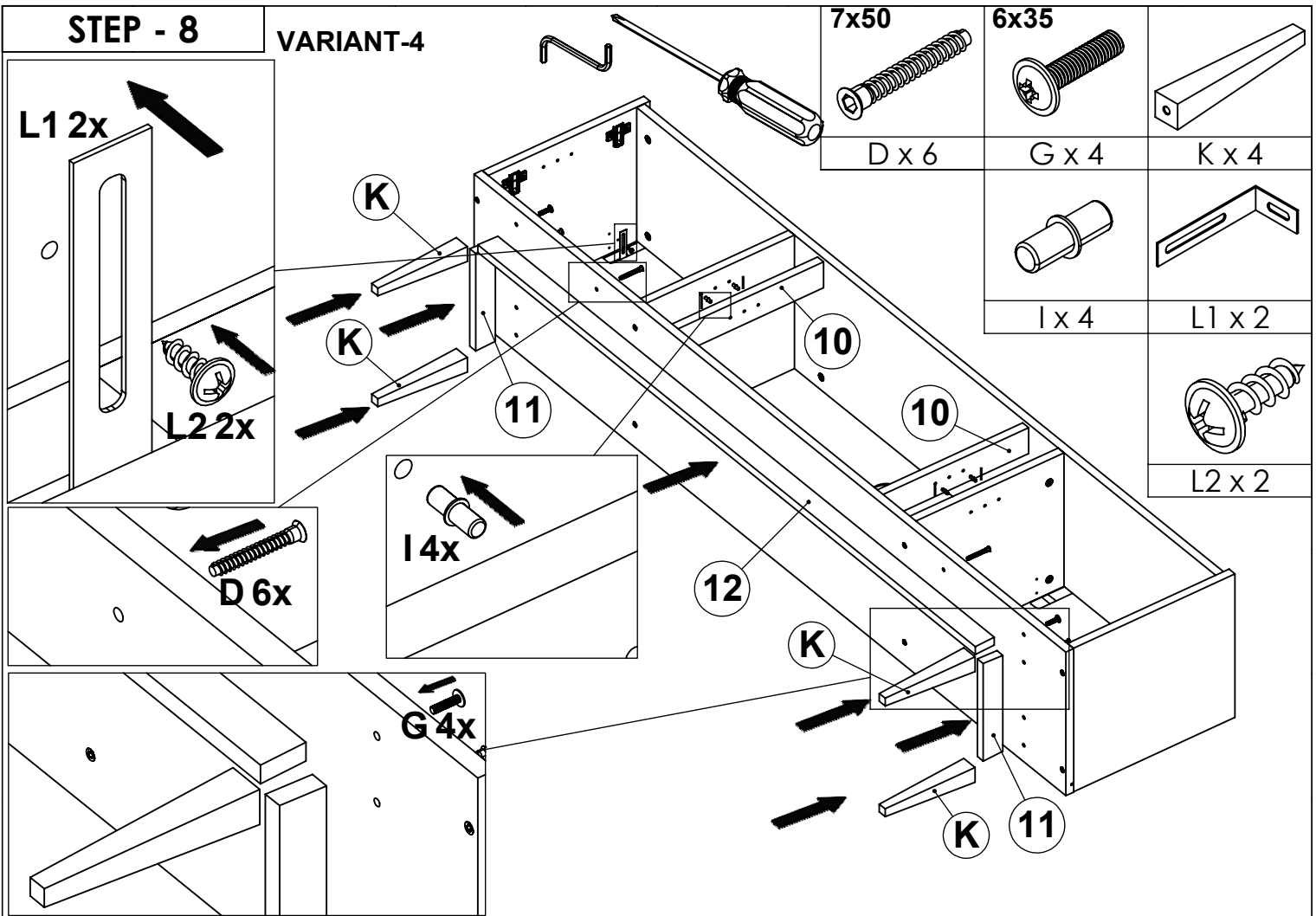


STEP - 11
VARIANT-3

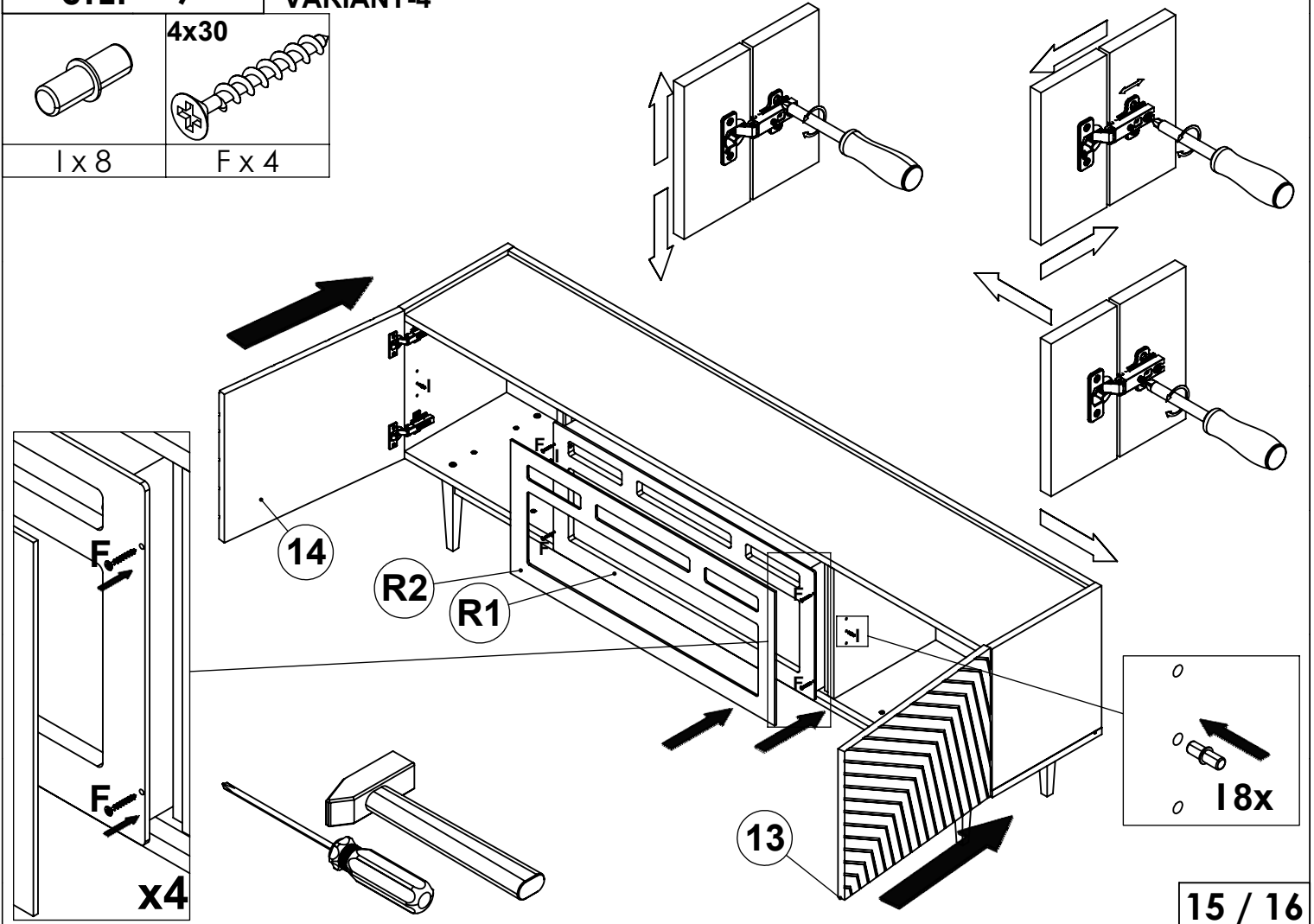


STEP - 8

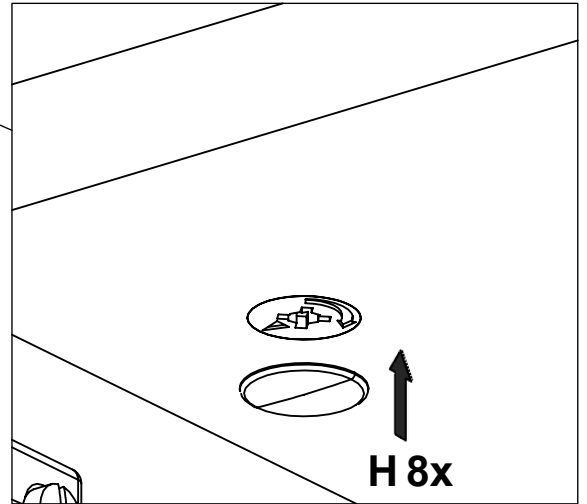
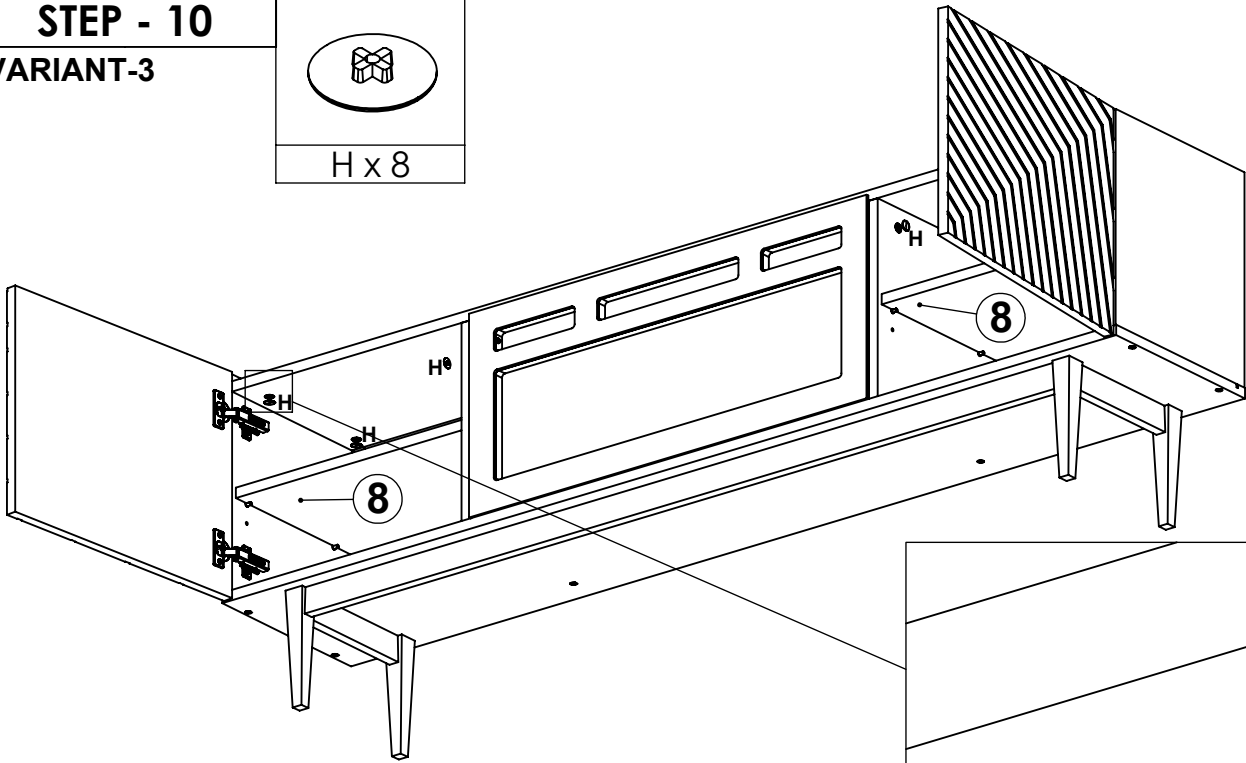
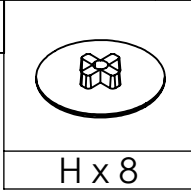
VARIANT-4

**STEP - 9**

VARIANT-4



STEP - 10
VARIANT-3



STEP - 11
VARIANT-3

