

**Claim your extended 90 day product warranty  
by registering your product at  
[www.meblefurniture.com/register](http://www.meblefurniture.com/register)**

**ATTENTION: DO NOT RETURN THIS PRODUCT!!!  
PLEASE READ THE FOLLOWING!!!**

**FOR REPLACEMENT/MISSING PARTS:**

[www.meblefurniture.com/parts](http://www.meblefurniture.com/parts)

**FOR INSTRUCTION/ASSEMBLY MANUALS  
AND VIDEOS:**

[www.meblefurniture.com/assembly](http://www.meblefurniture.com/assembly)

**ALL OTHER INQUIRIES:**

[help@meblefurniture.com](mailto:help@meblefurniture.com)

**IF YOU ARE MISSING PARTS OR YOUR  
PRODUCT ARRIVED DAMAGED:**

Please fill out a parts request form at  
[www.meblefurniture.com/parts](http://www.meblefurniture.com/parts)

Replacement parts are shipped out in one business day. You will receive a tracking number via email once your parts request has been processed.

**IF YOU ARE MISSING AN INSTRUCTION  
MANUAL OR NEED ASSEMBLY HELP:**

Please visit [www.meblefurniture.com/assembly](http://www.meblefurniture.com/assembly) to access our library of product assembly videos or to download product instruction manuals.

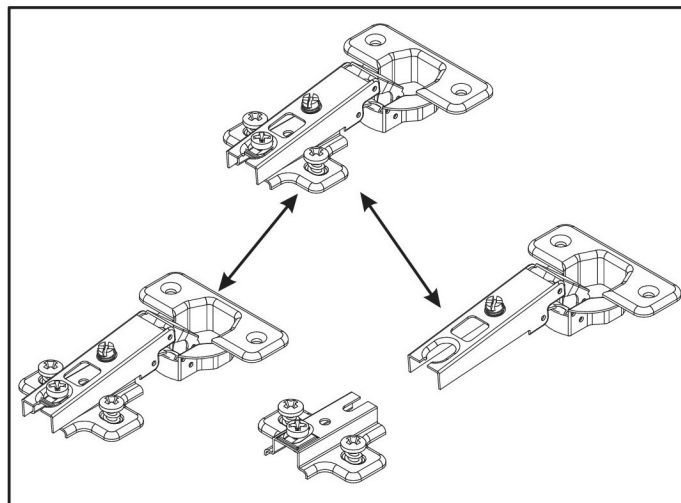
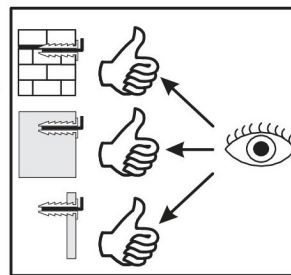
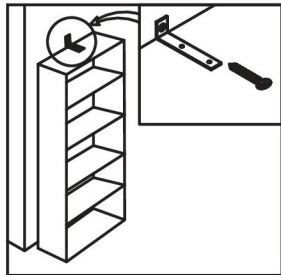
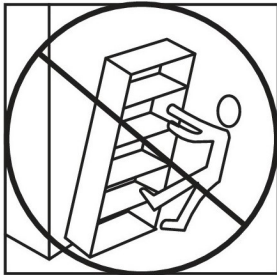
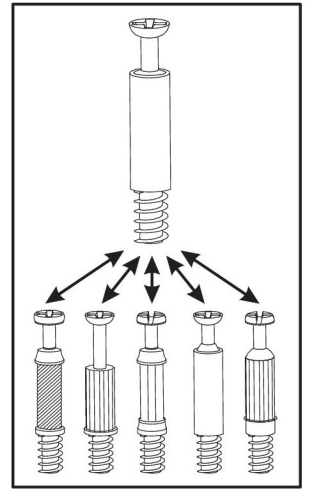
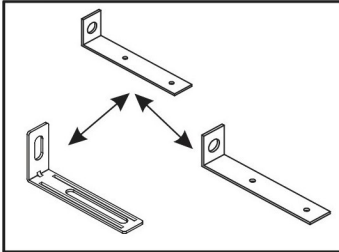
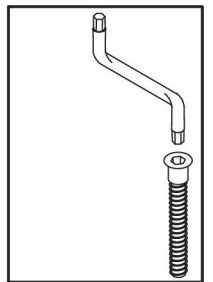
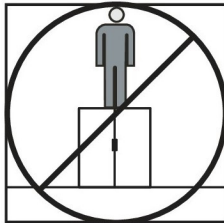
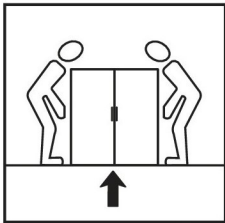
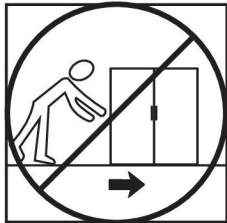
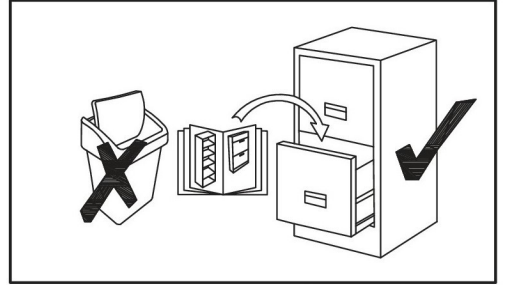
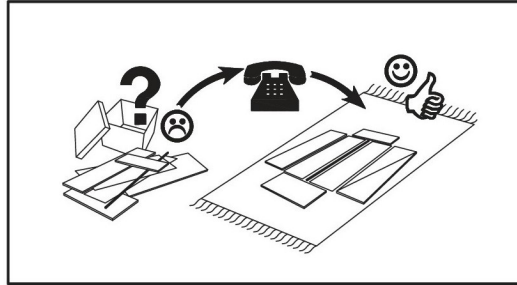
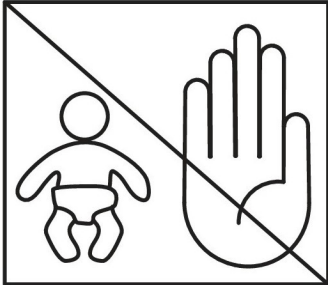
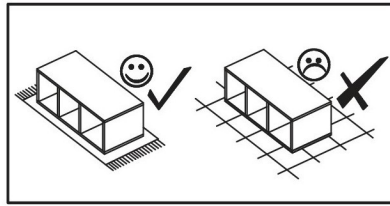
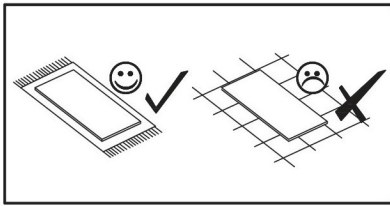
**NOTICE REGARDING HIGH GLOSS  
PROTECTIVE FOIL AND PRODUCT CARE:**

After removing the protective foil from the gloss fronts, the acrylic surface of the boards is still soft and easy to scratch. With air contact, the hygroscopic acrylic layer hardens, and the board becomes more resistant to scratches. It takes approximately 48 hours for the acrylic layer of the board to fully harden.

**DO NOT CLEAN, WIPE, OR POLISH THE  
ACRYLIC FRONTS FOR 48 HOURS AFTER  
REMOVING THE PROTECTIVE FOIL!!!**



[help@meblefurniture.com](mailto:help@meblefurniture.com)

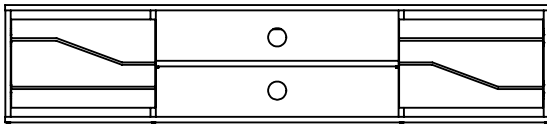


# MAZE TV STAND

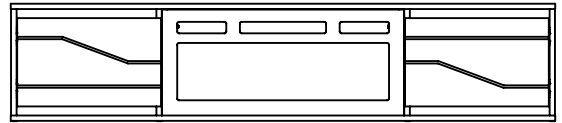
29-05-2023



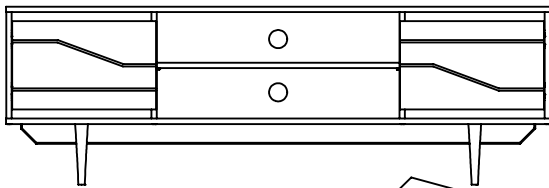
VARIANT-1  30 kg



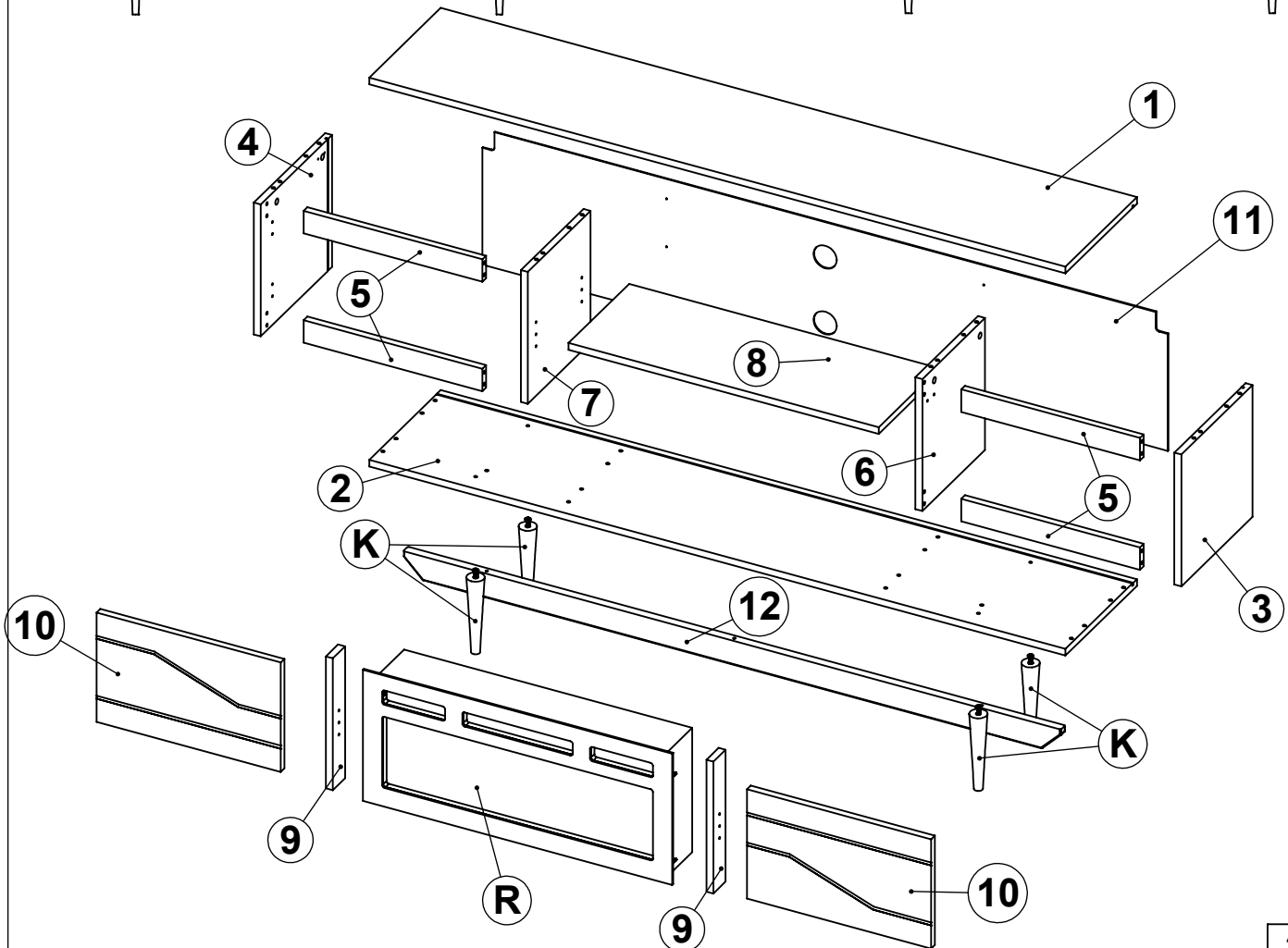
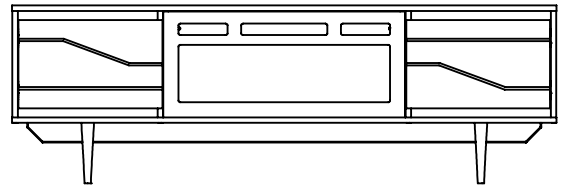
VARIANT-2  30 kg

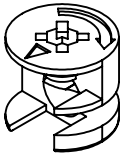
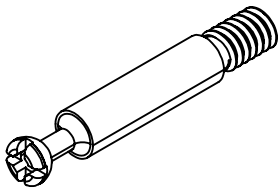
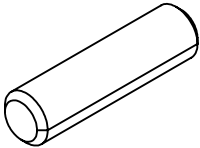
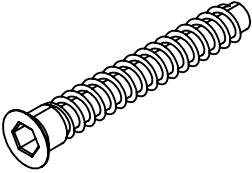
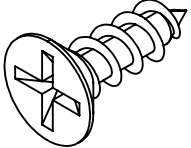
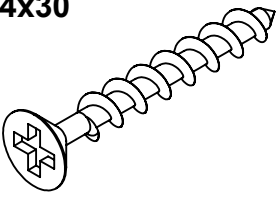
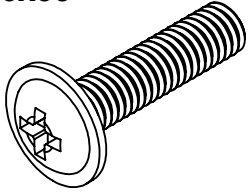
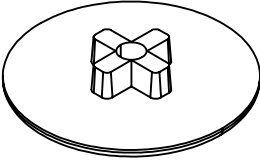
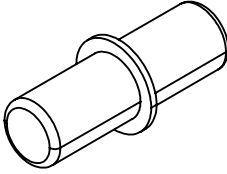
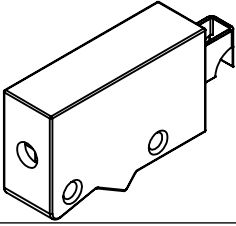
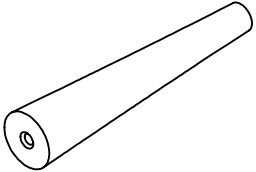
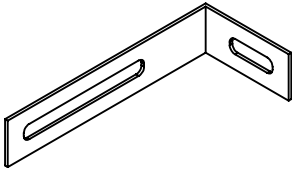
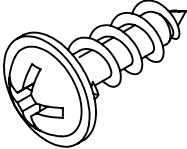
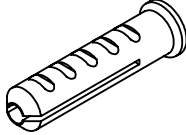
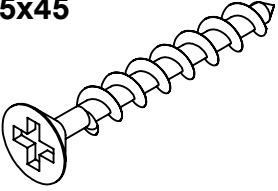
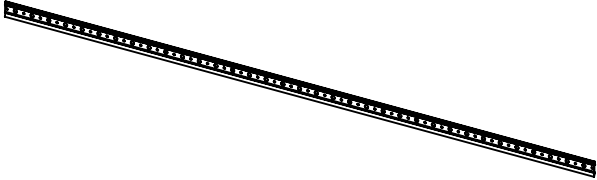
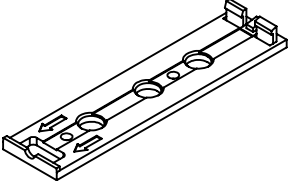
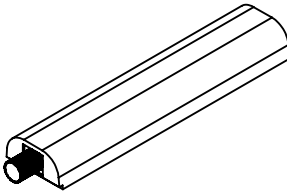
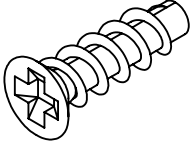
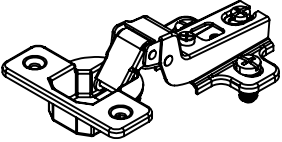
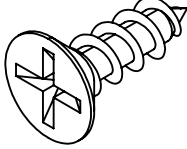
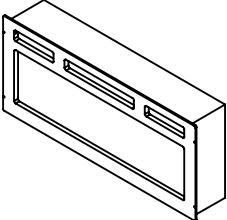
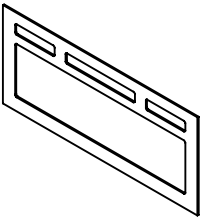

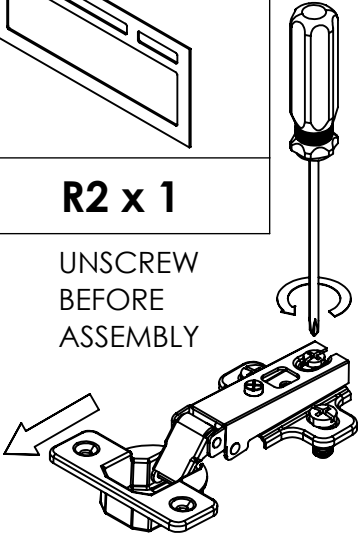
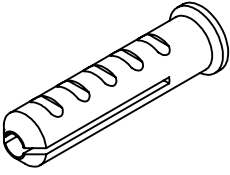
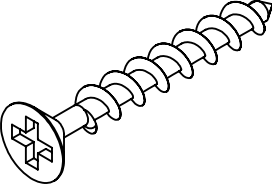
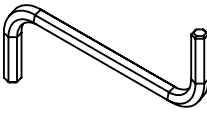

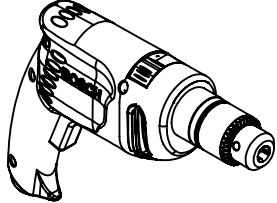
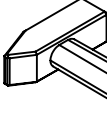
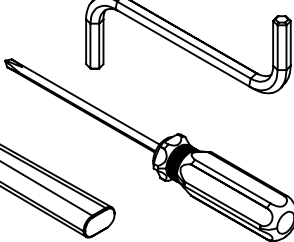
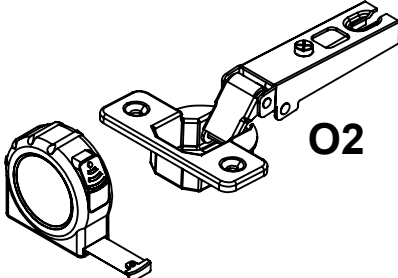
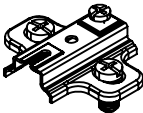
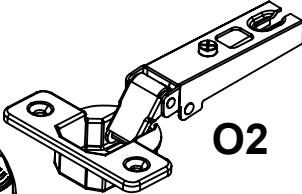


VARIANT-3  30 kg


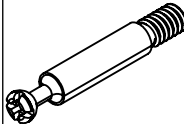
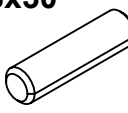
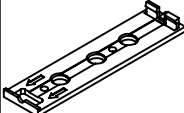
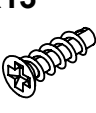
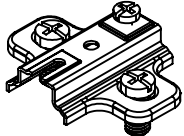


VARIANT-4  30 kg

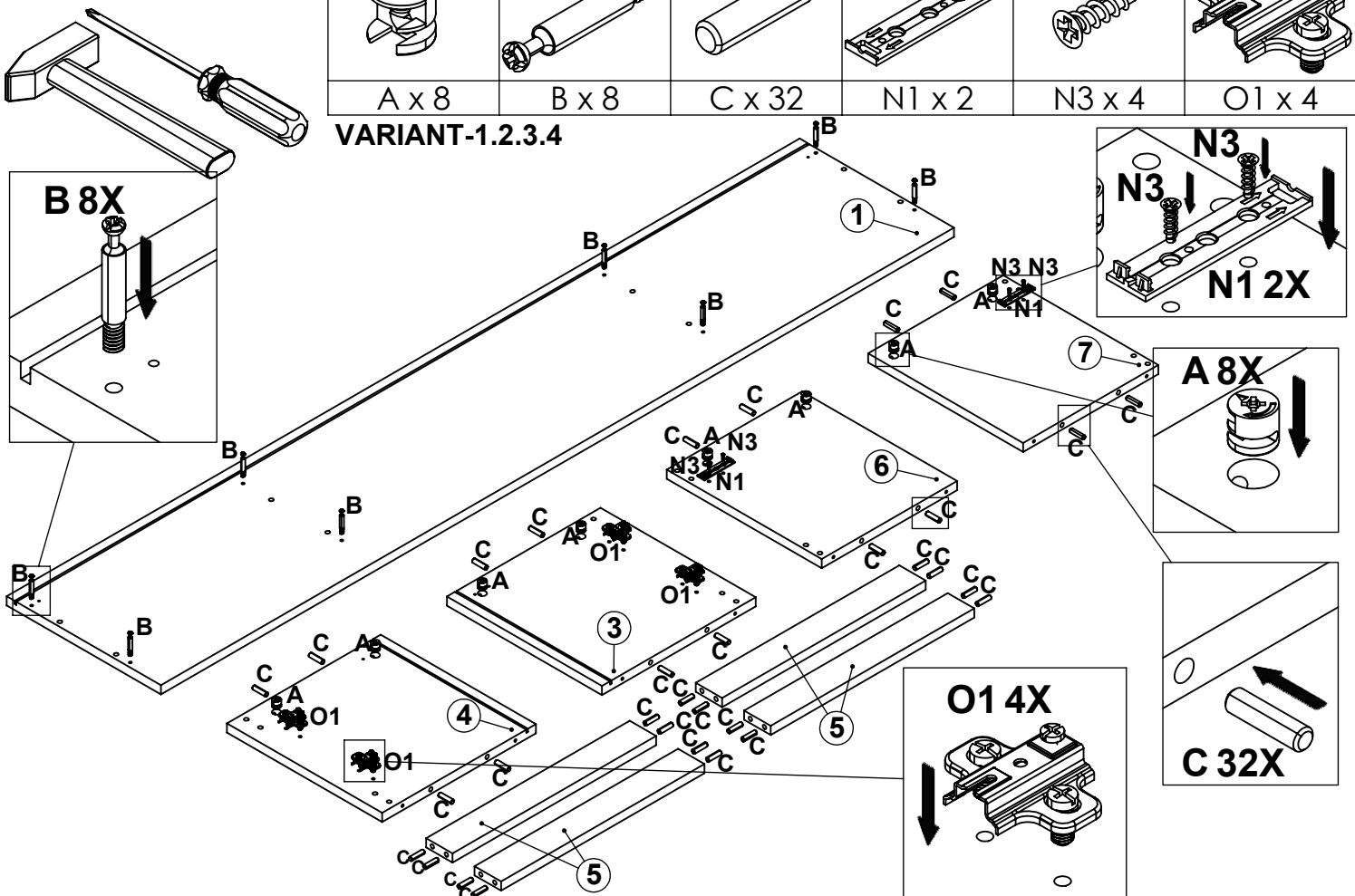


		8x30 	7x50 	2,5x16 
<b>A x 8</b>	<b>B x 8</b>	<b>C x 32</b>	<b>D x 10</b>	<b>E x 6</b>
4x30 	6x35 			
<b>F x 8</b>	<b>G x 4</b>	<b>H x 8</b>	<b>I x 4</b>	<b>J x 2</b>
				5x45 
<b>K x 4</b>	<b>L1 x 2</b>	<b>L2 x 2</b>	<b>L3 x 2</b>	<b>L4 x 2</b>
			6x13 	
<b>M x 1</b>	<b>N1 x 2</b>	<b>N2 x 2</b>	<b>N3 x 4</b>	
	3,5x13 			
<b>O1/O2 x 4/4</b>	<b>O3 x 8</b>	<b>R1 x 1</b>	<b>R2 x 1</b>	 <p>UNSCREW BEFORE ASSEMBLY</p>
				
<b>S1 x 2</b>	<b>S2 x 2</b>	<b>IMBUS</b>		
				
				 <b>O1</b>
				 <b>O2</b>
				<b>4 / 24</b>

**STEP - 1**

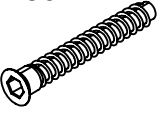
					
A x 8	B x 8	8x30 C x 32	N1 x 2	6x13 N3 x 4	O1 x 4

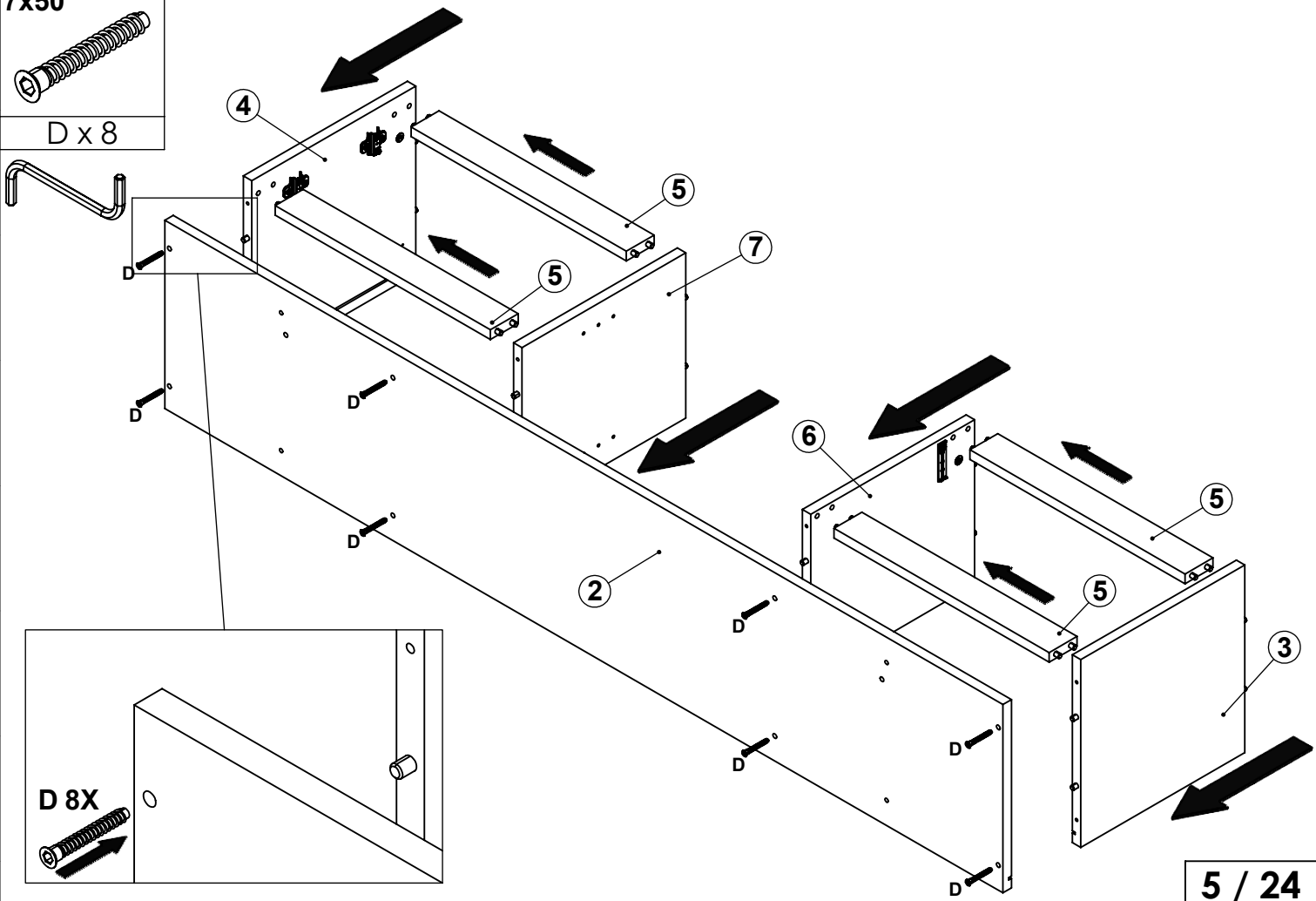
VARIANT-1.2.3.4



**STEP - 2**

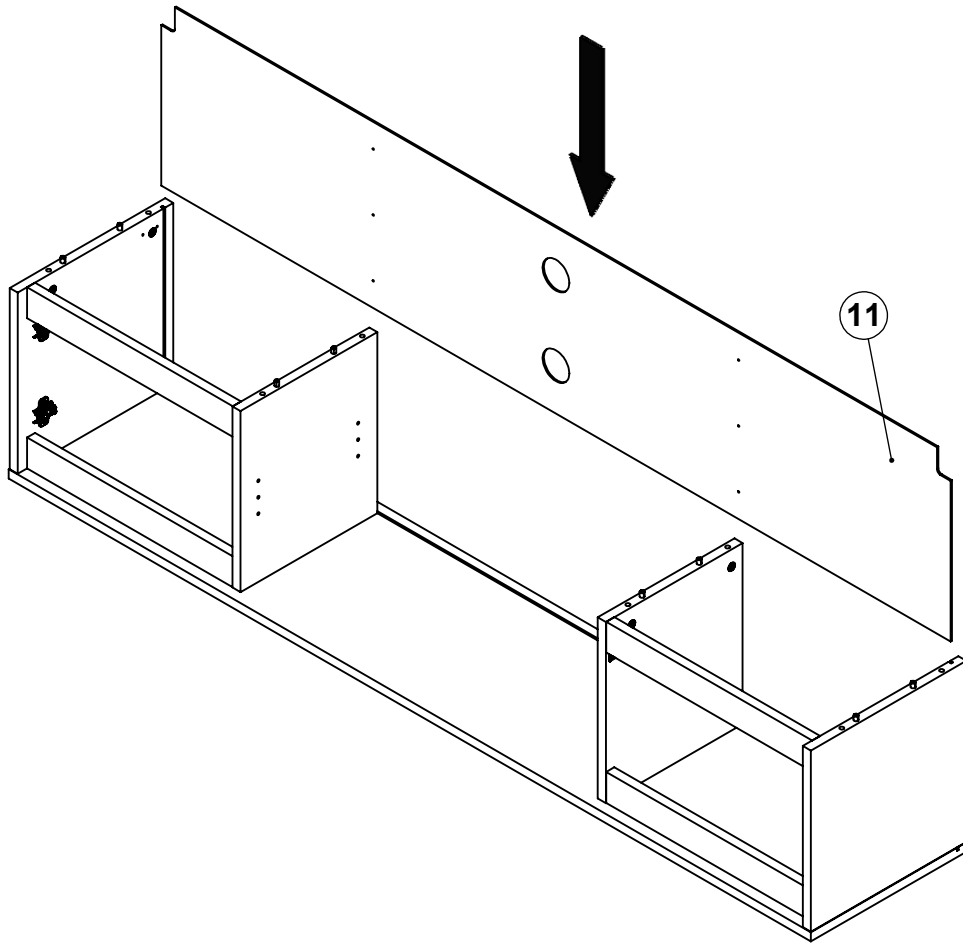
VARIANT-1.2.3.4


7x50 D x 8



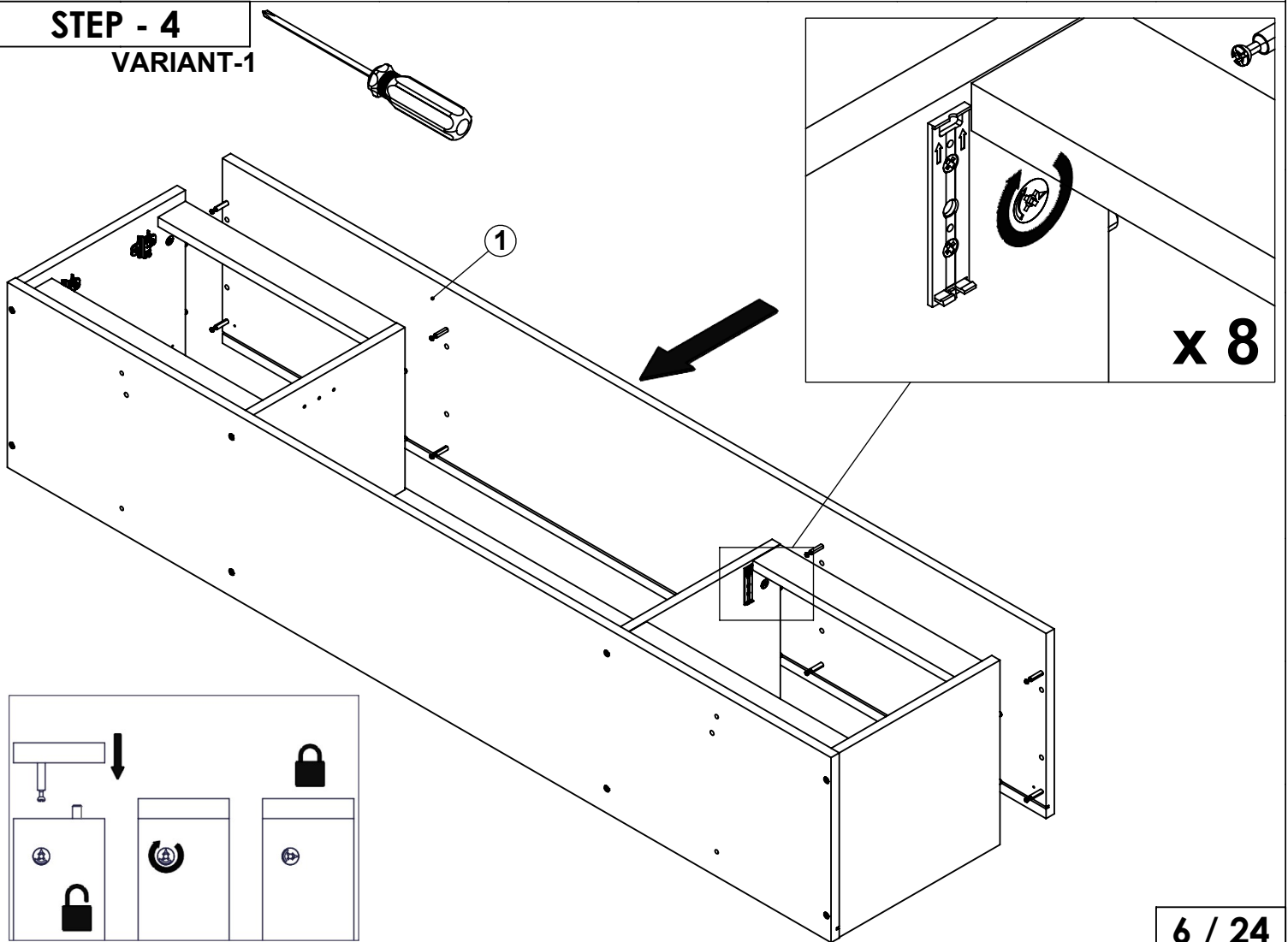
**STEP - 3**

**VARIANT-1**



**STEP - 4**

**VARIANT-1**

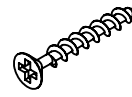


# STEP - 7

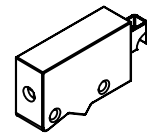
VARIANT-1

# BEFORE INSTALLATION

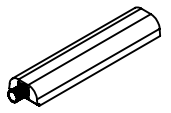
4x30



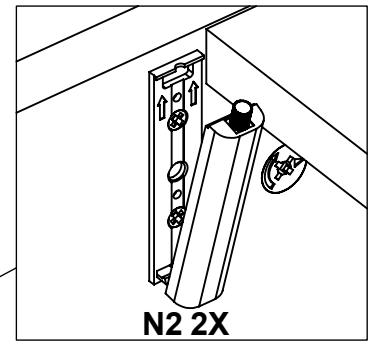
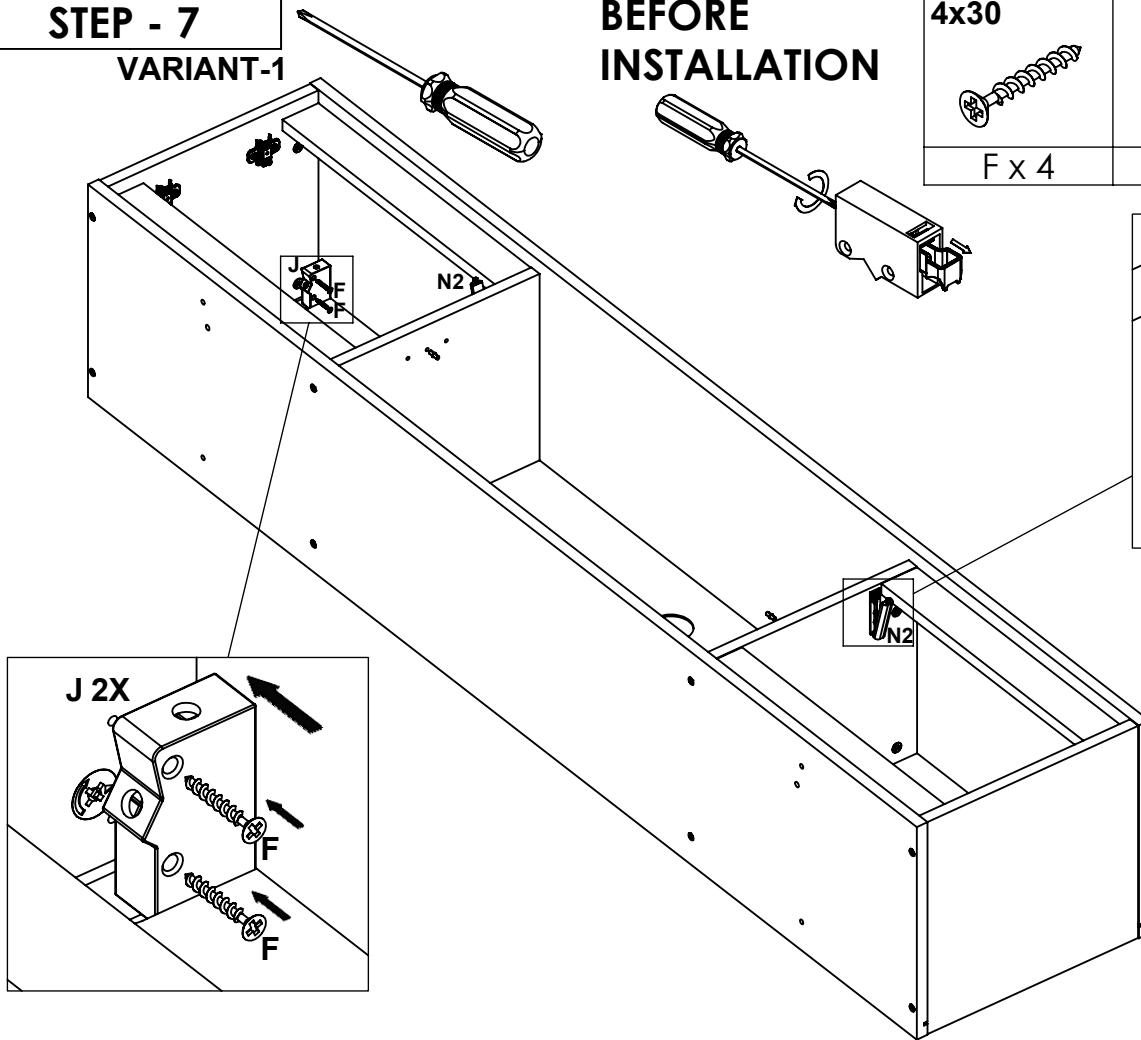
F x 4



J x 2



N2 x 2

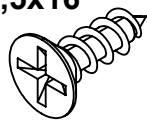


N2 2X

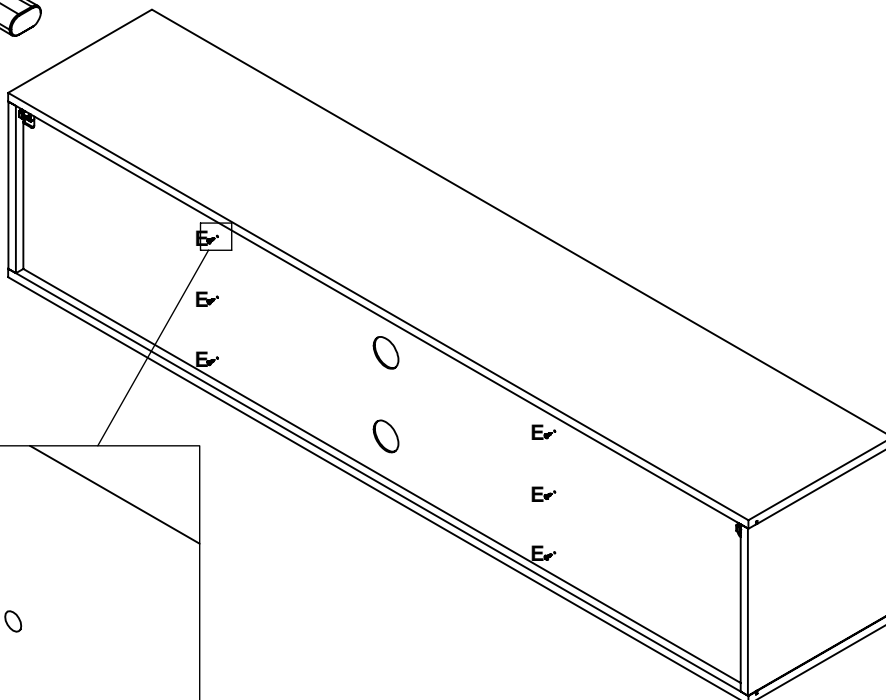
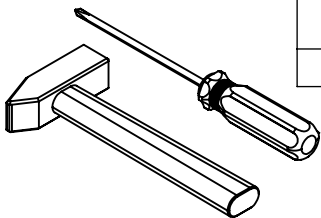
# STEP - 8

VARIANT-1

2,5x16



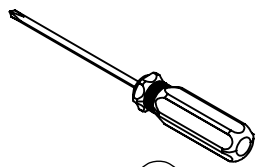
E x 6

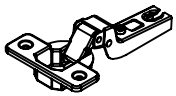
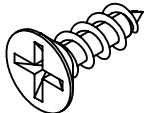


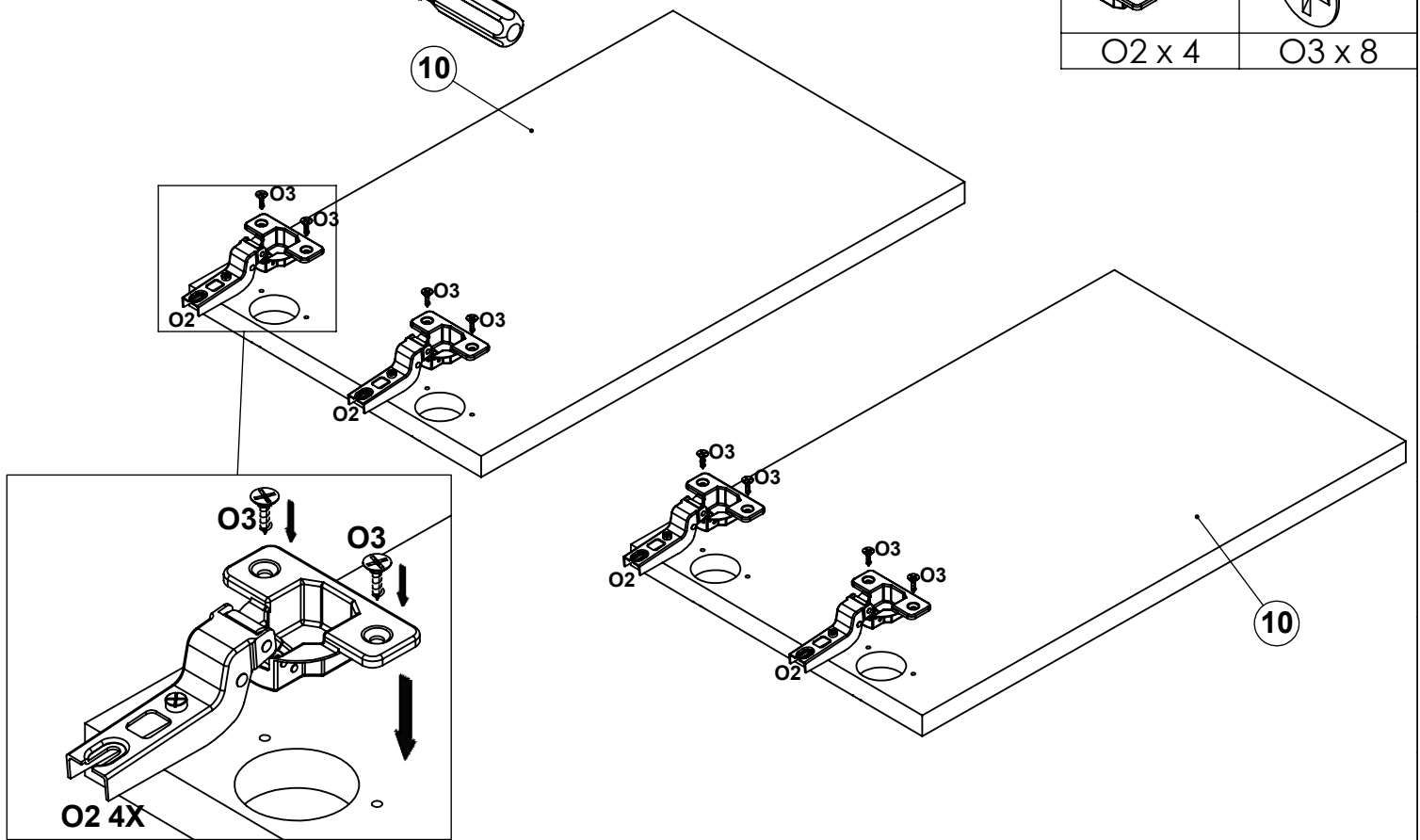
E 6X

# STEP - 7

VARIANT-1

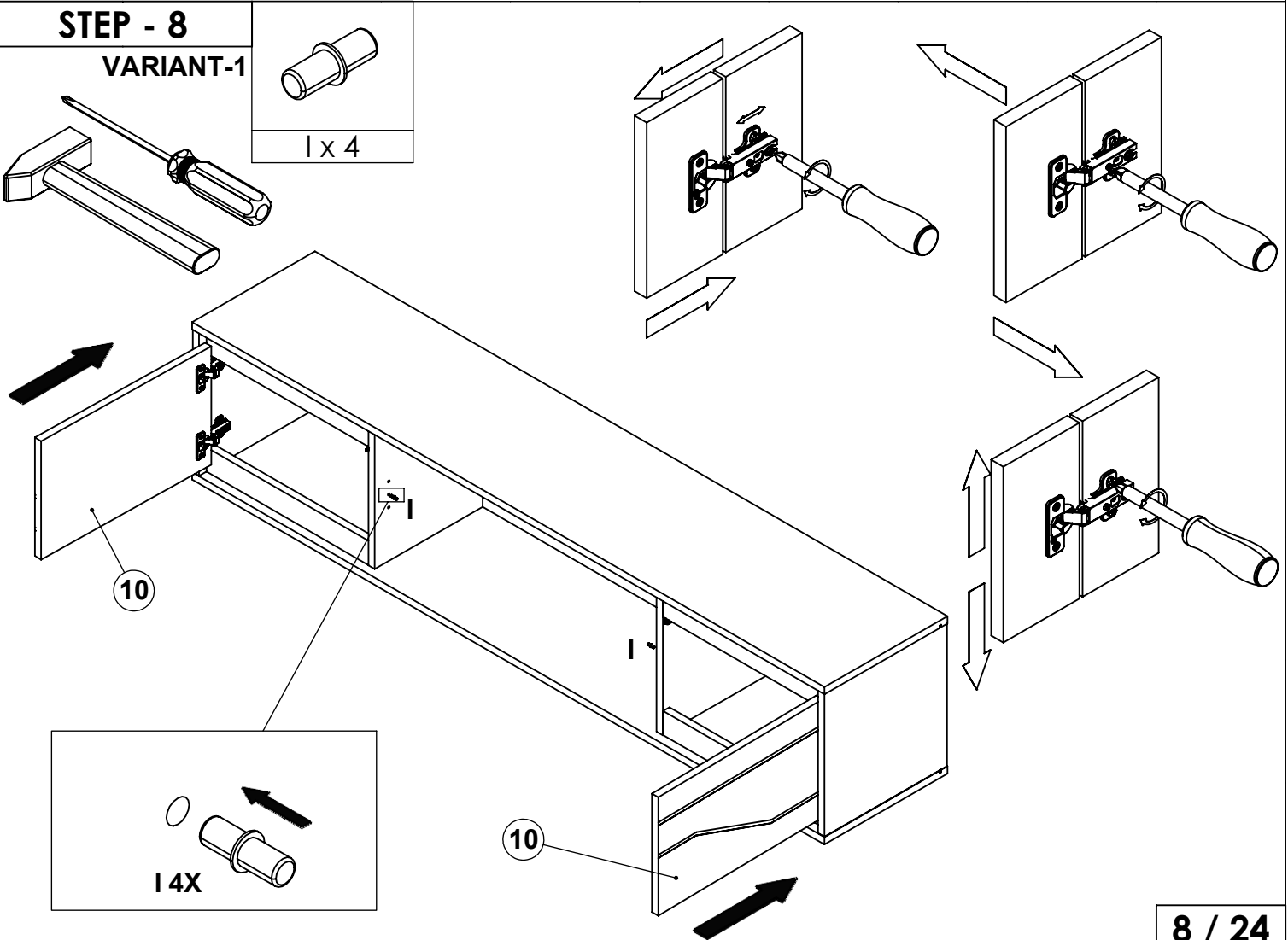
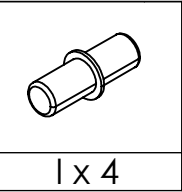


	
O2 x 4	O3 x 8



# STEP - 8

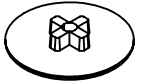
VARIANT-1



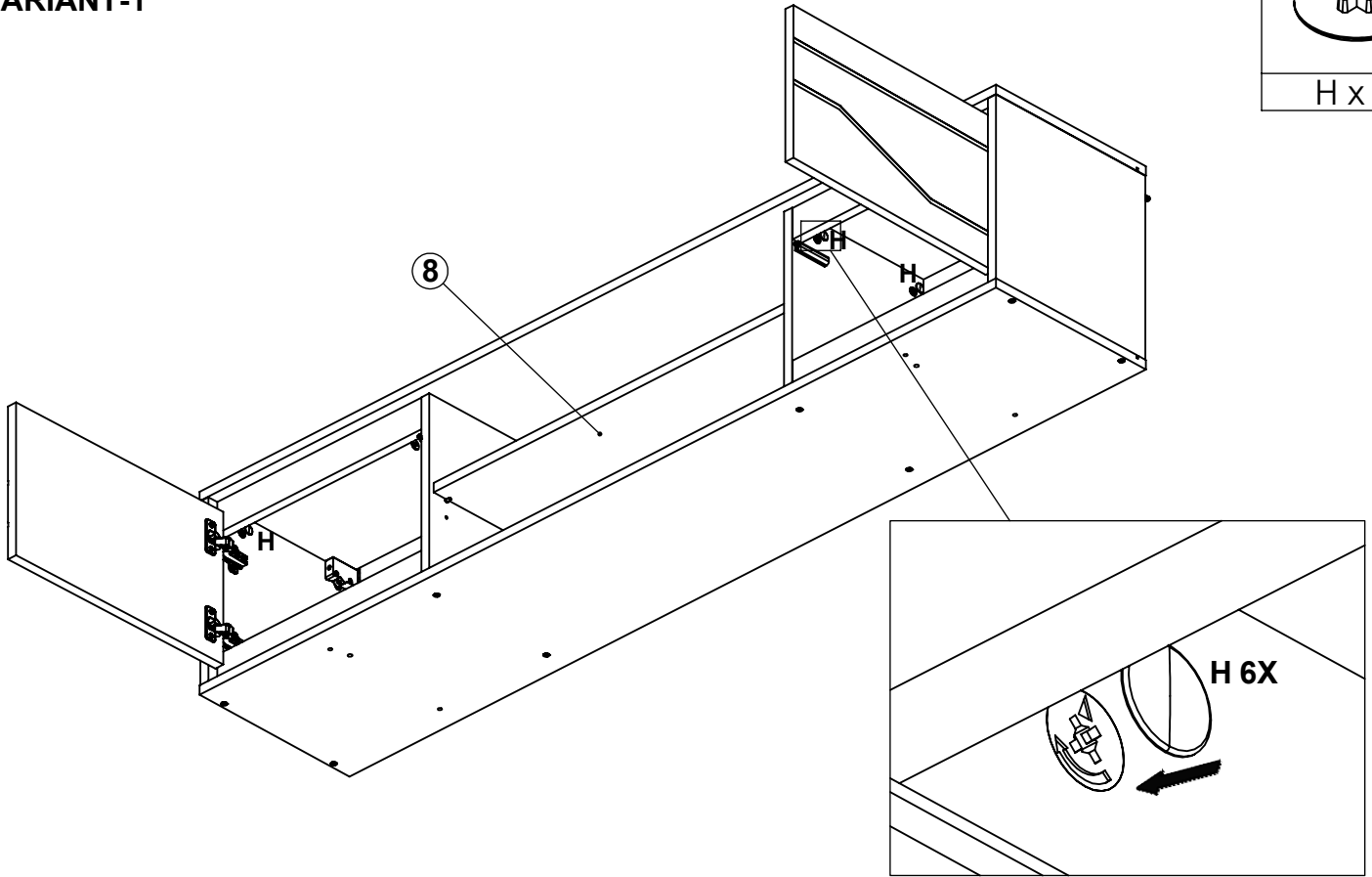


# STEP - 9

VARIANT-1

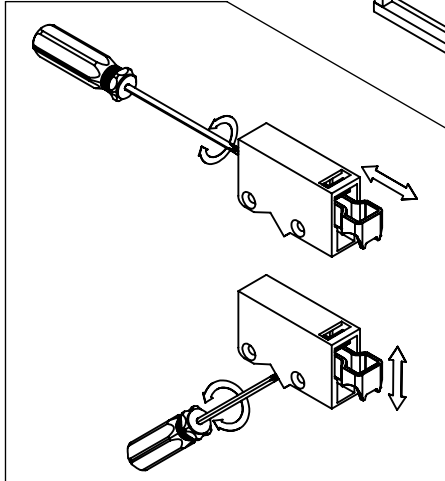
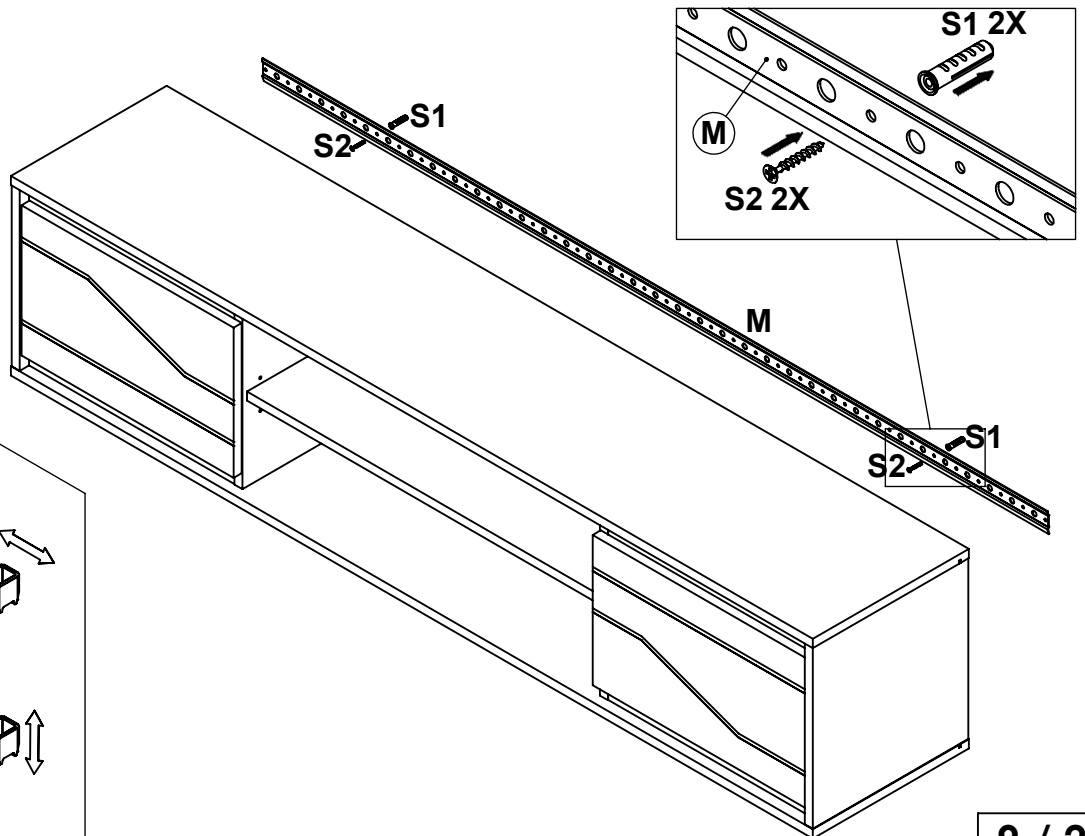
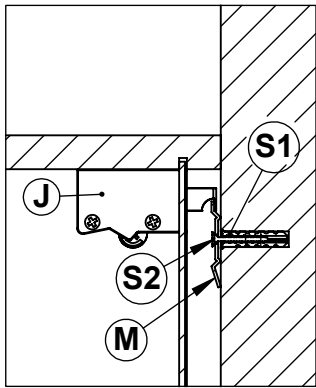
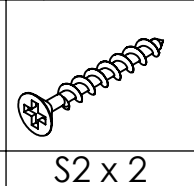
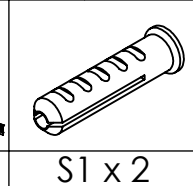
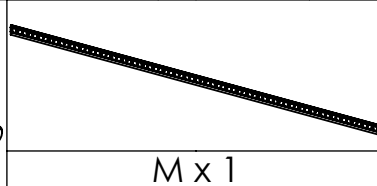
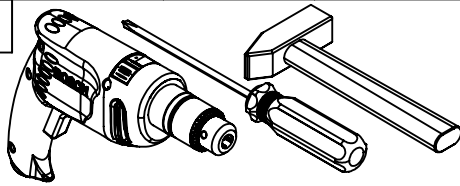


H x 6



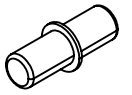
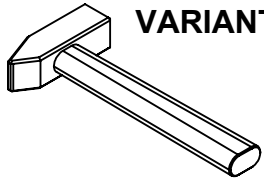
# STEP - 10

VARIANT-1

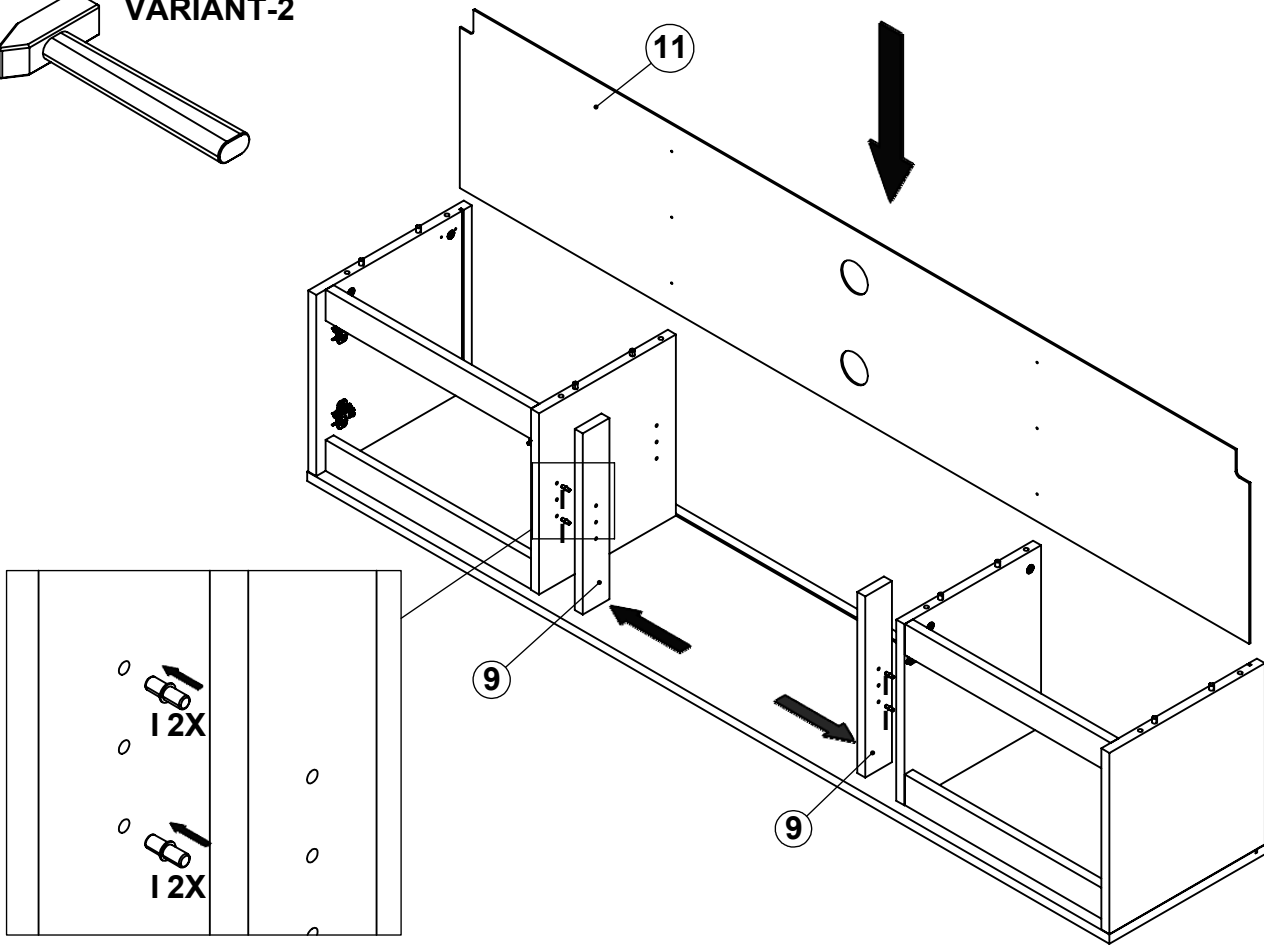


### STEP - 3

VARIANT-2



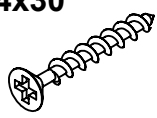
1 x 4



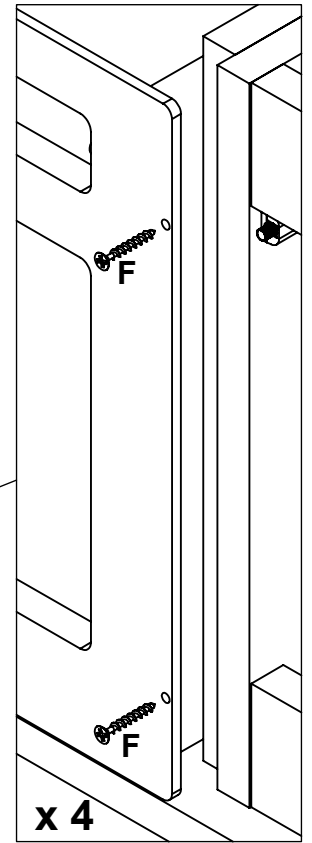
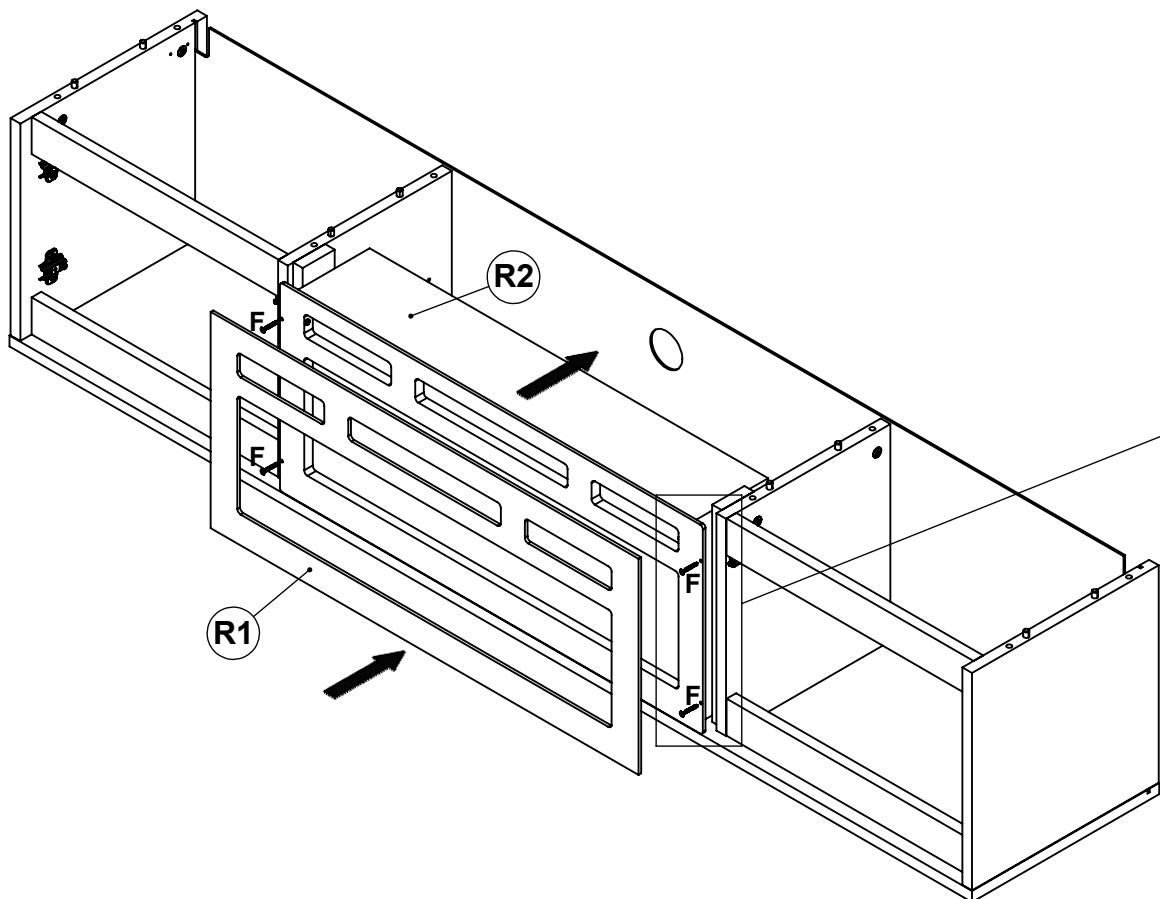
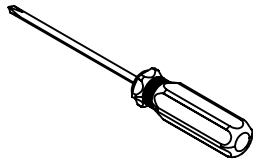
### STEP - 4

VARIANT-2

4x30



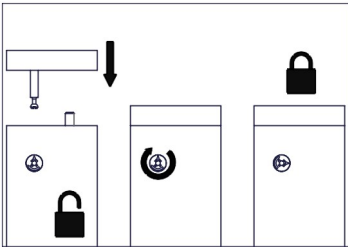
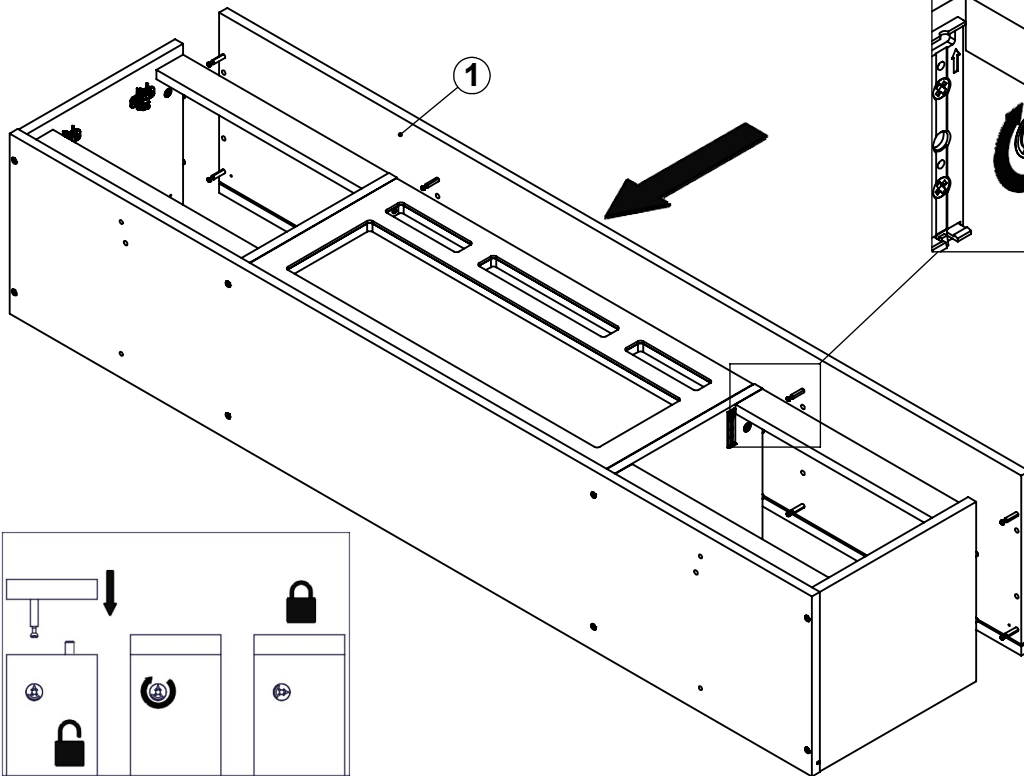
F x 4



x 4

# STEP - 5

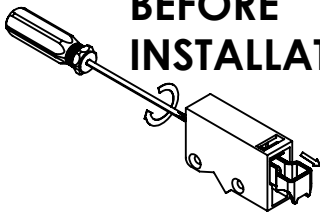
VARIANT-2



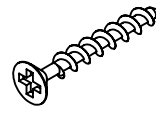
# STEP - 6

VARIANT-2

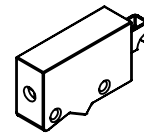
## BEFORE INSTALLATION



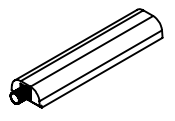
4x30



F x 4

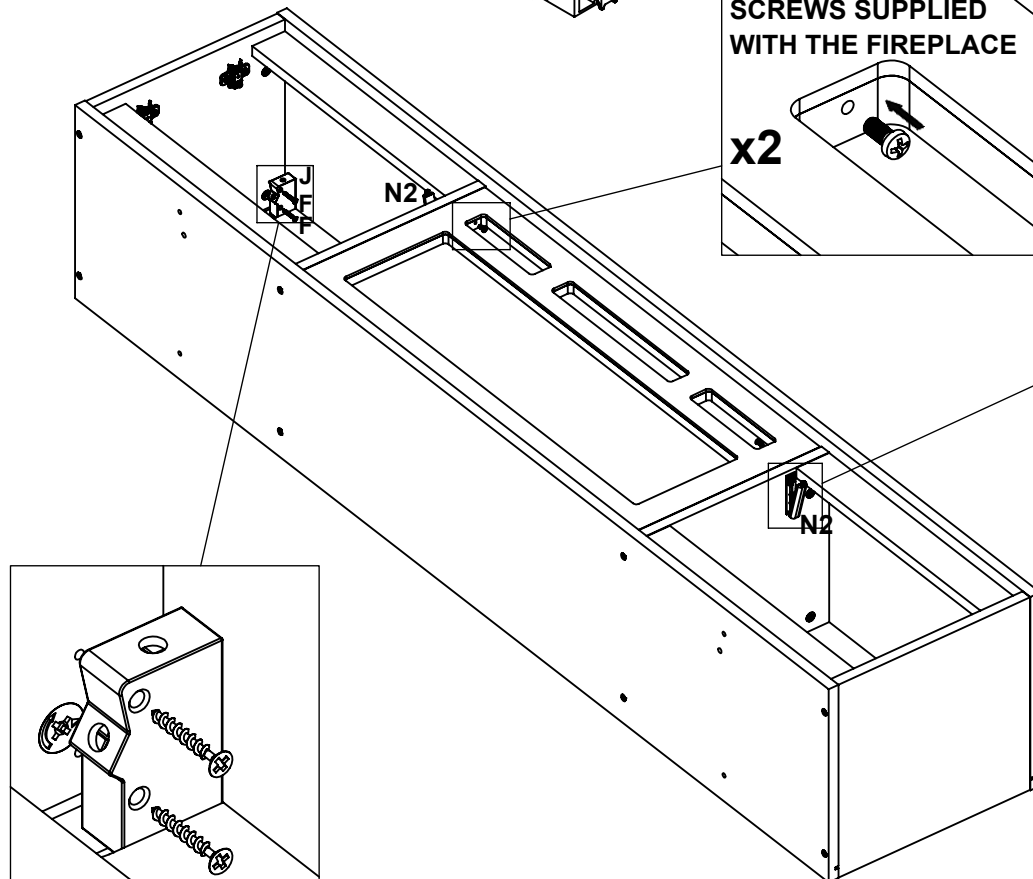
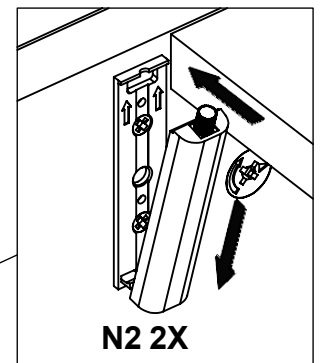
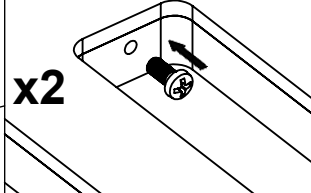


J x 2



N2 x 2

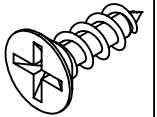
SCREWS SUPPLIED  
WITH THE FIREPLACE



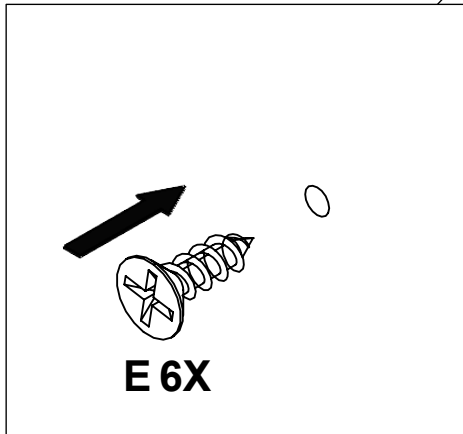
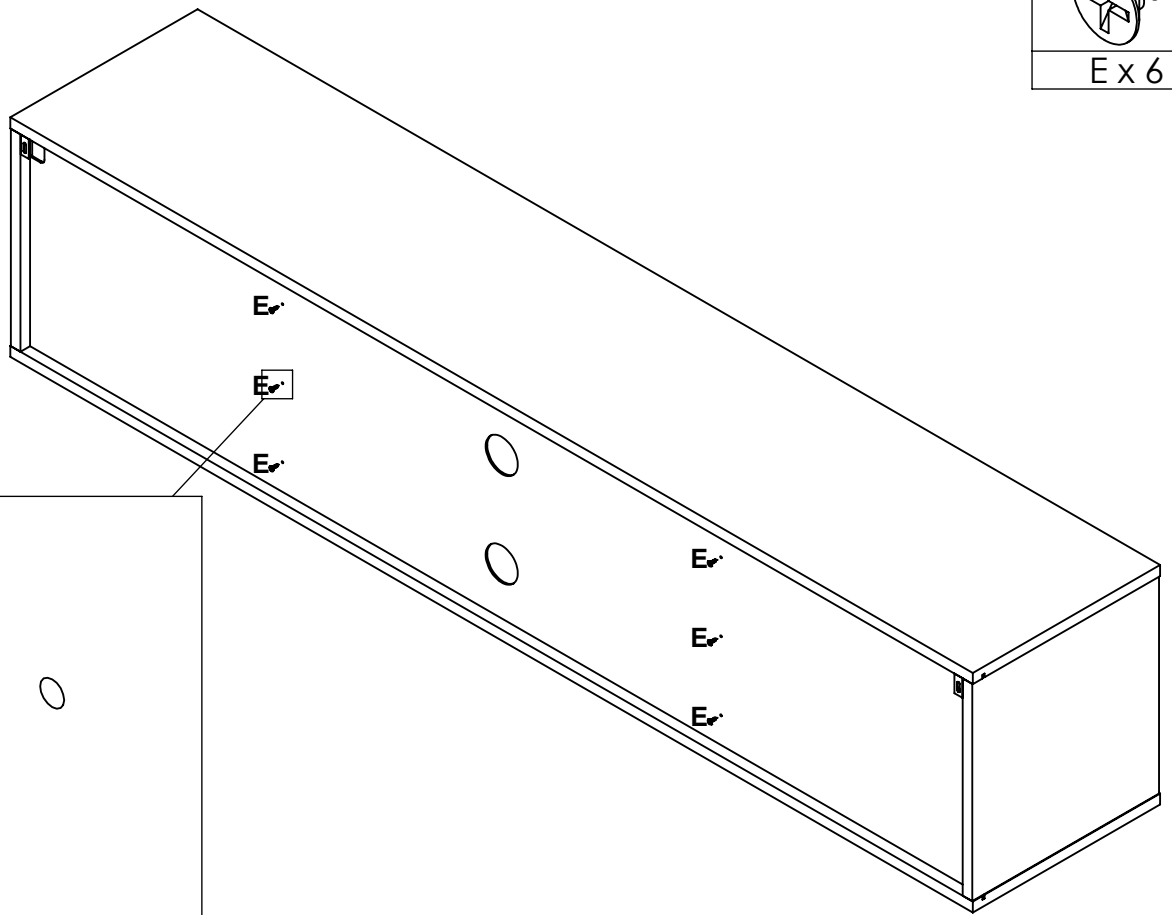
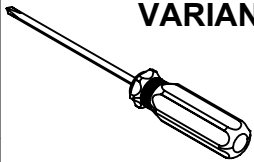
# STEP - 7

VARIANT-2

2,5x16



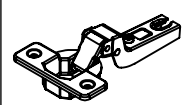
E x 6



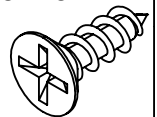
# STEP - 8

VARIANT-2

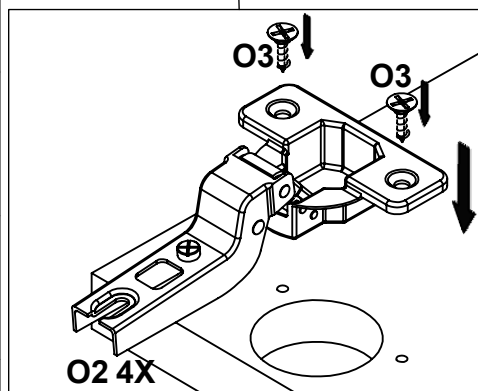
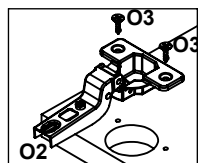
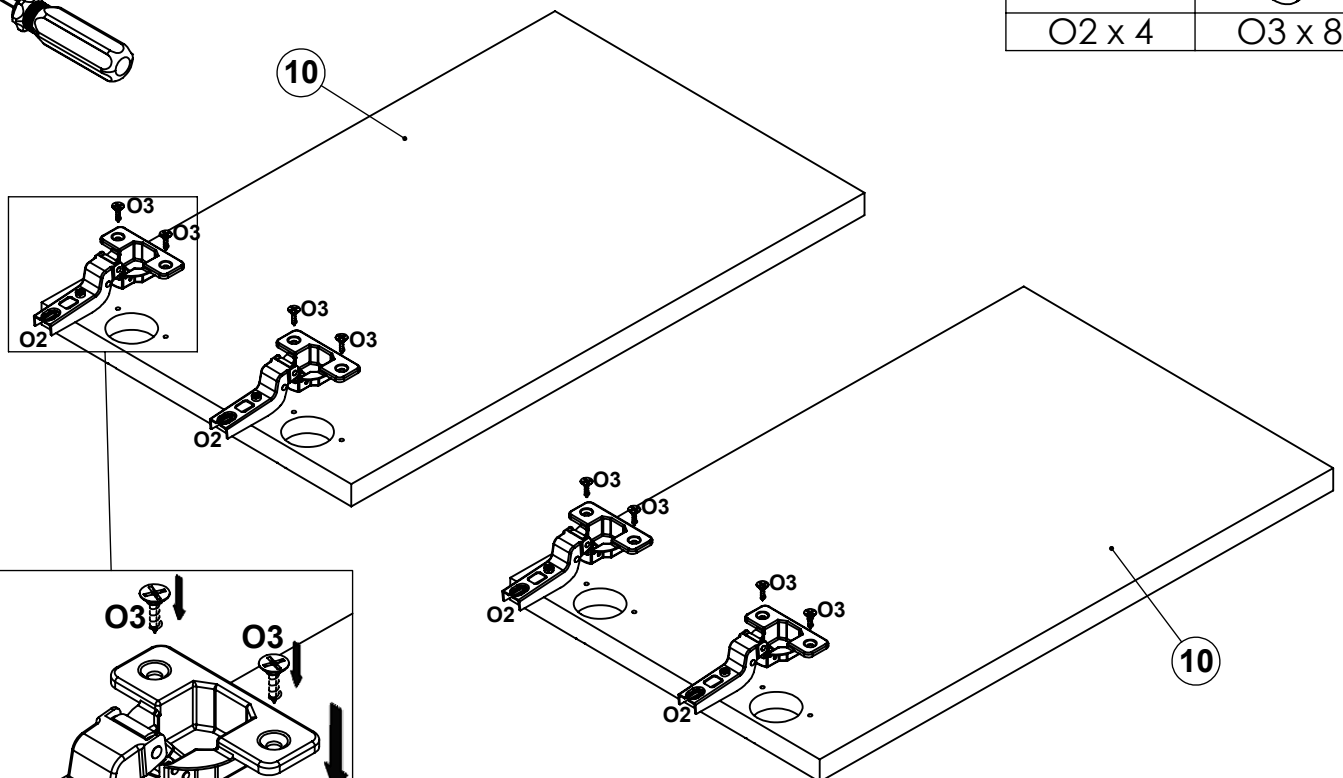
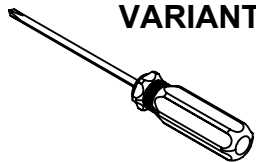
3,5x13



O2 x 4

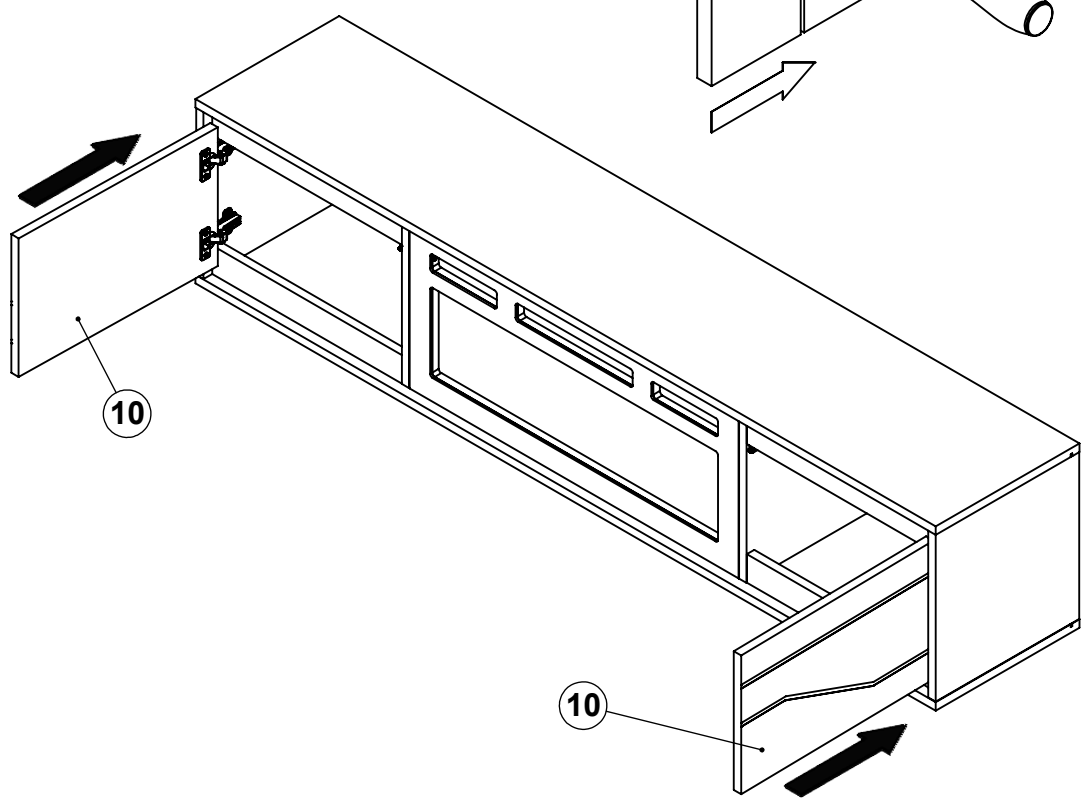
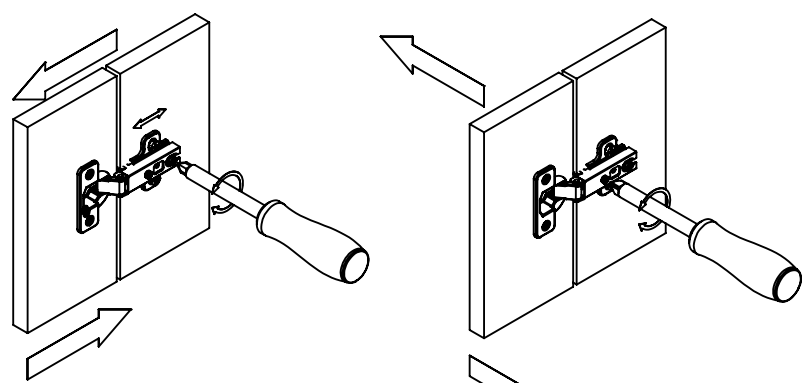
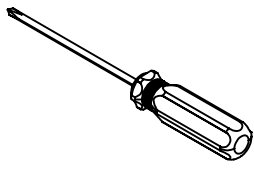


O3 x 8



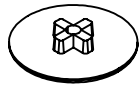
**STEP - 9**

**VARIANT-2**

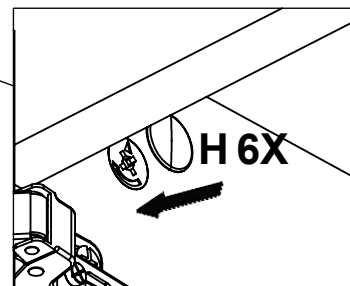
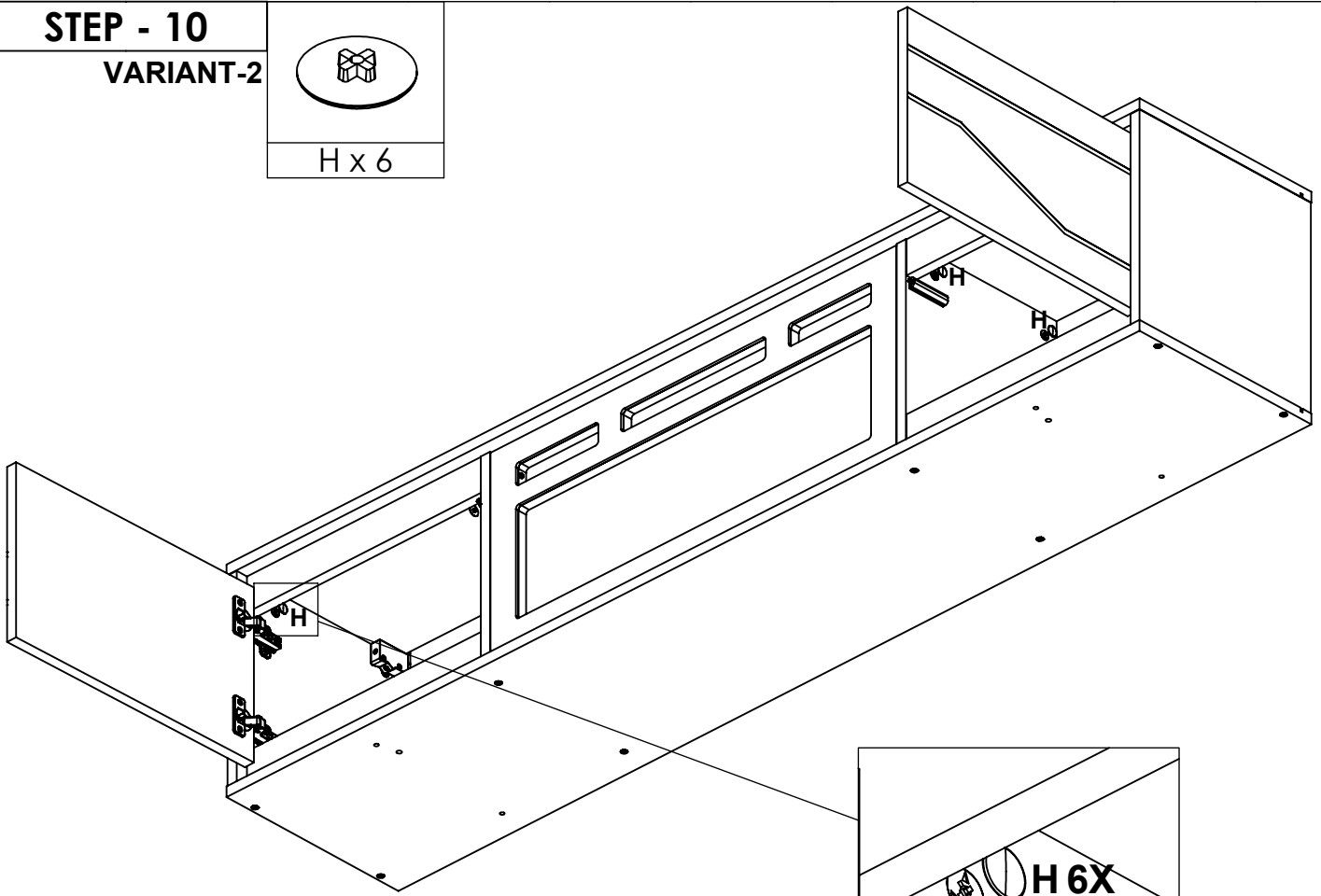


**STEP - 10**

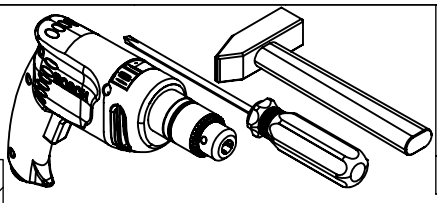
**VARIANT-2**

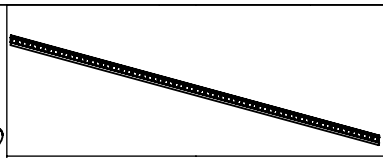
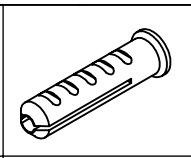
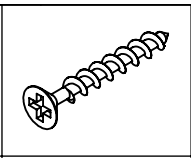


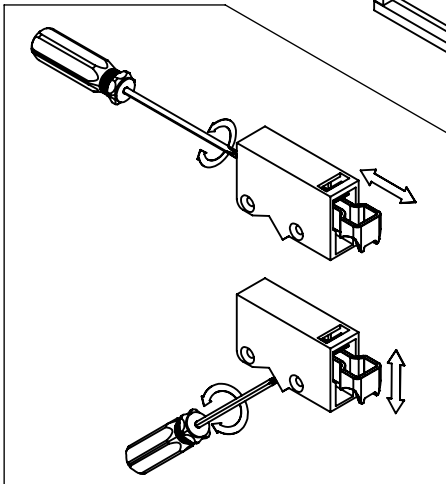
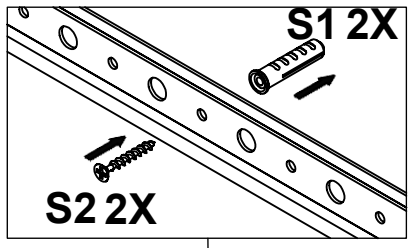
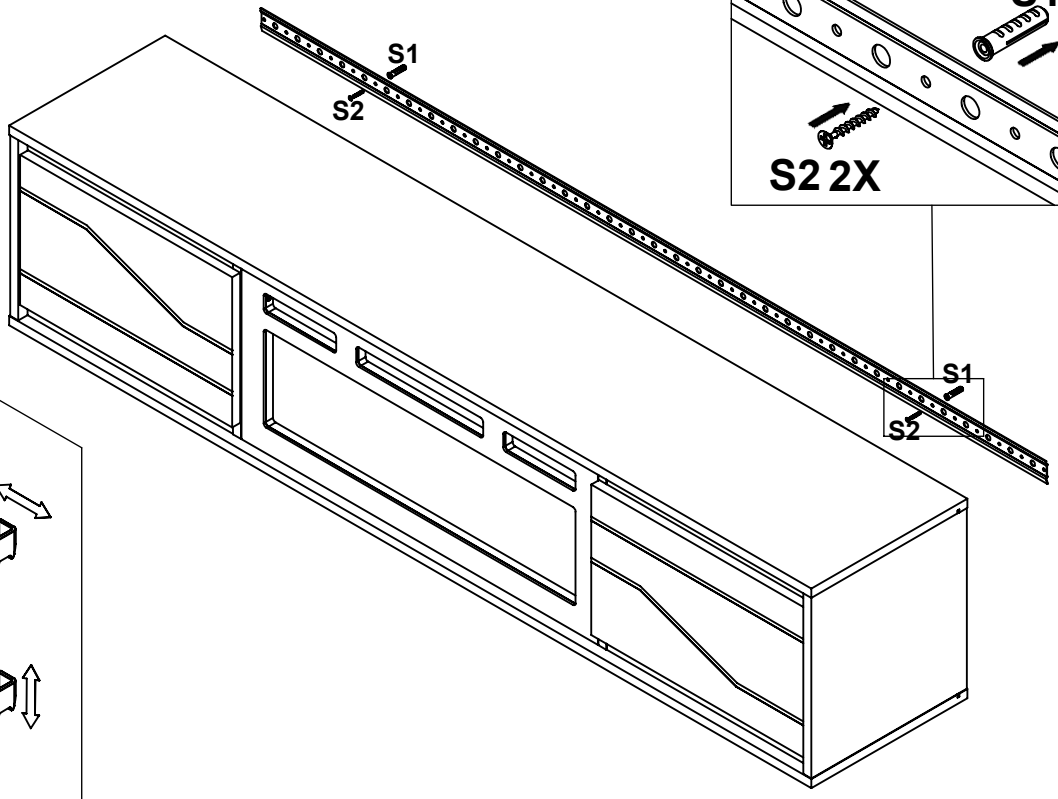
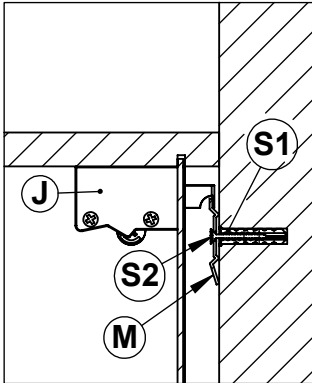
H x 6



**STEP - 11**  
**VARIANT-2**

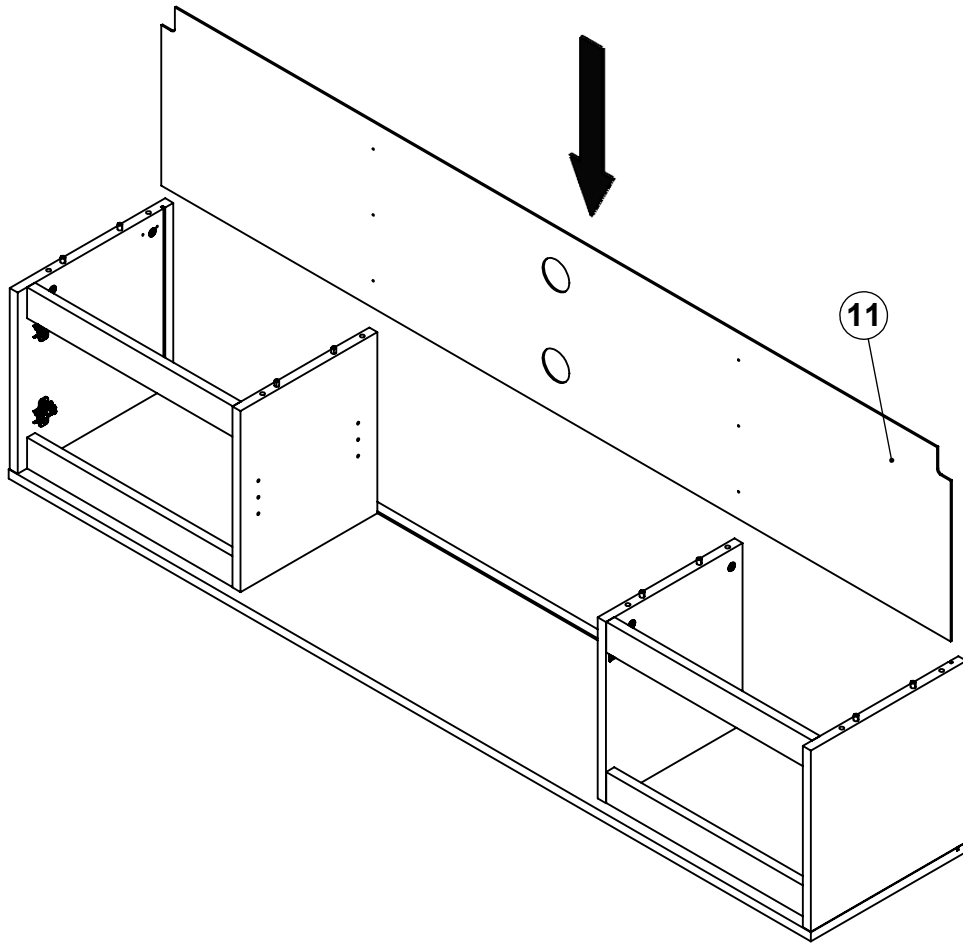


 M x 1	 S1 x 2	 S2 x 2
--	--	--



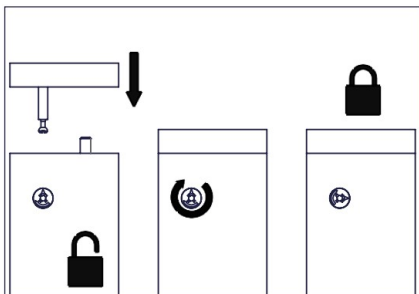
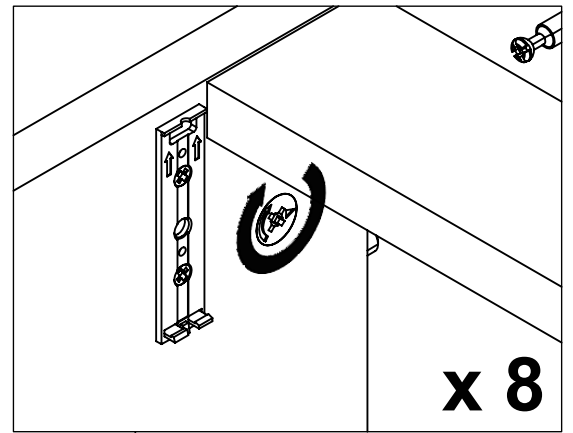
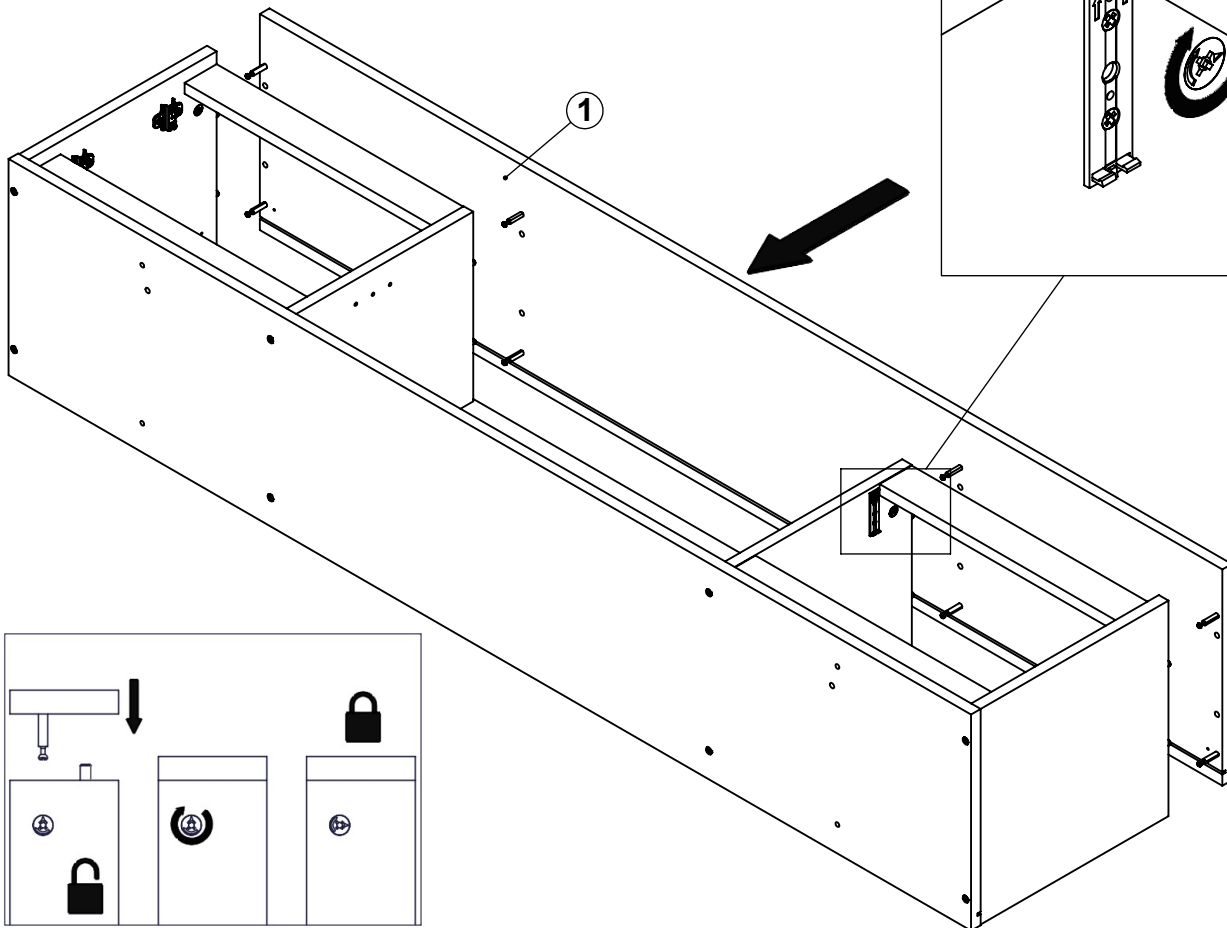
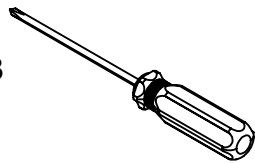
**STEP - 3**

**VARIANT-3**



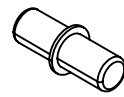
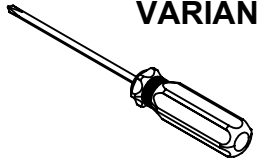
**STEP - 4**

**VARIANT-3**



# STEP - 7

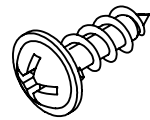
VARIANT-3



I x 4



L1 x 2

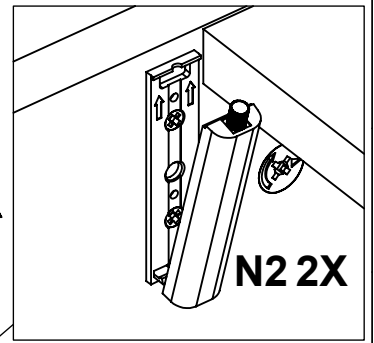


L2 x 2



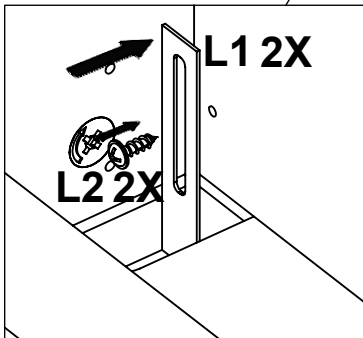
N2 x 2

**BEFORE  
INSTALLATION**



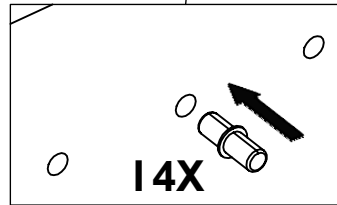
**N2 2X**

L2 L1 N2



**L1 2X**

**L2 2X**

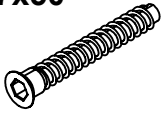


**I 4X**

# STEP - 8

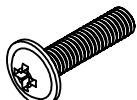
VARIANT-3

7x50

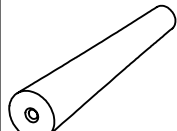


D x 2

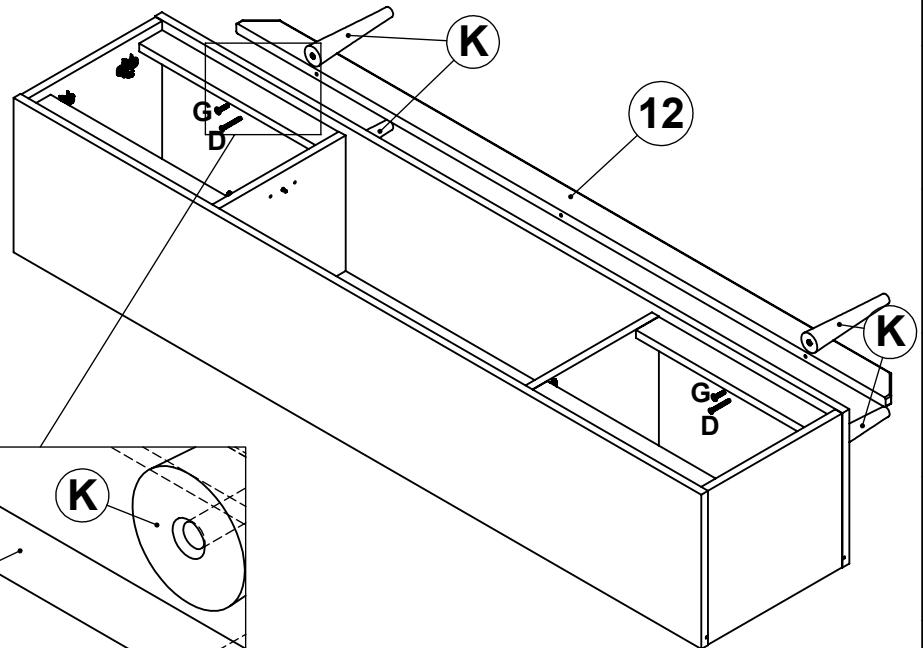
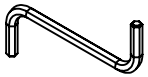
6x35



G x 4

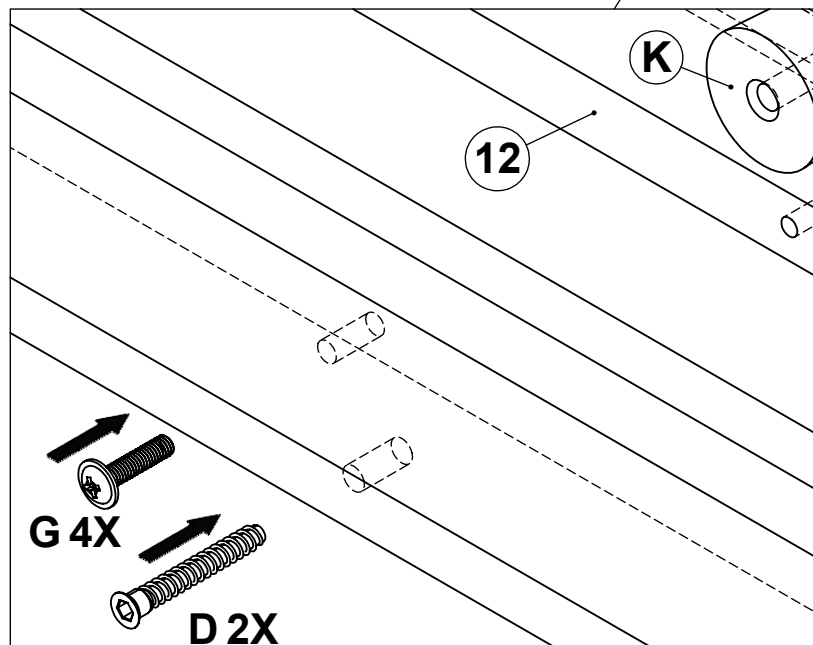


K x 4



**12**

**K**



**G 4X**

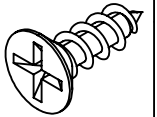
**D 2X**



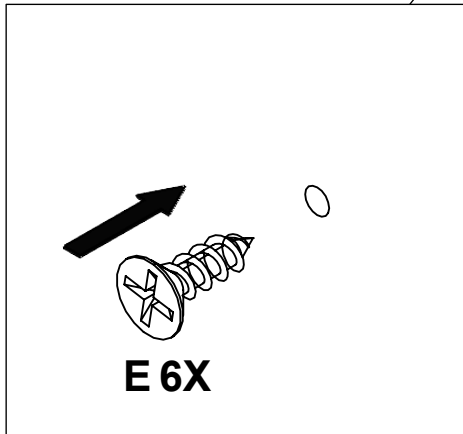
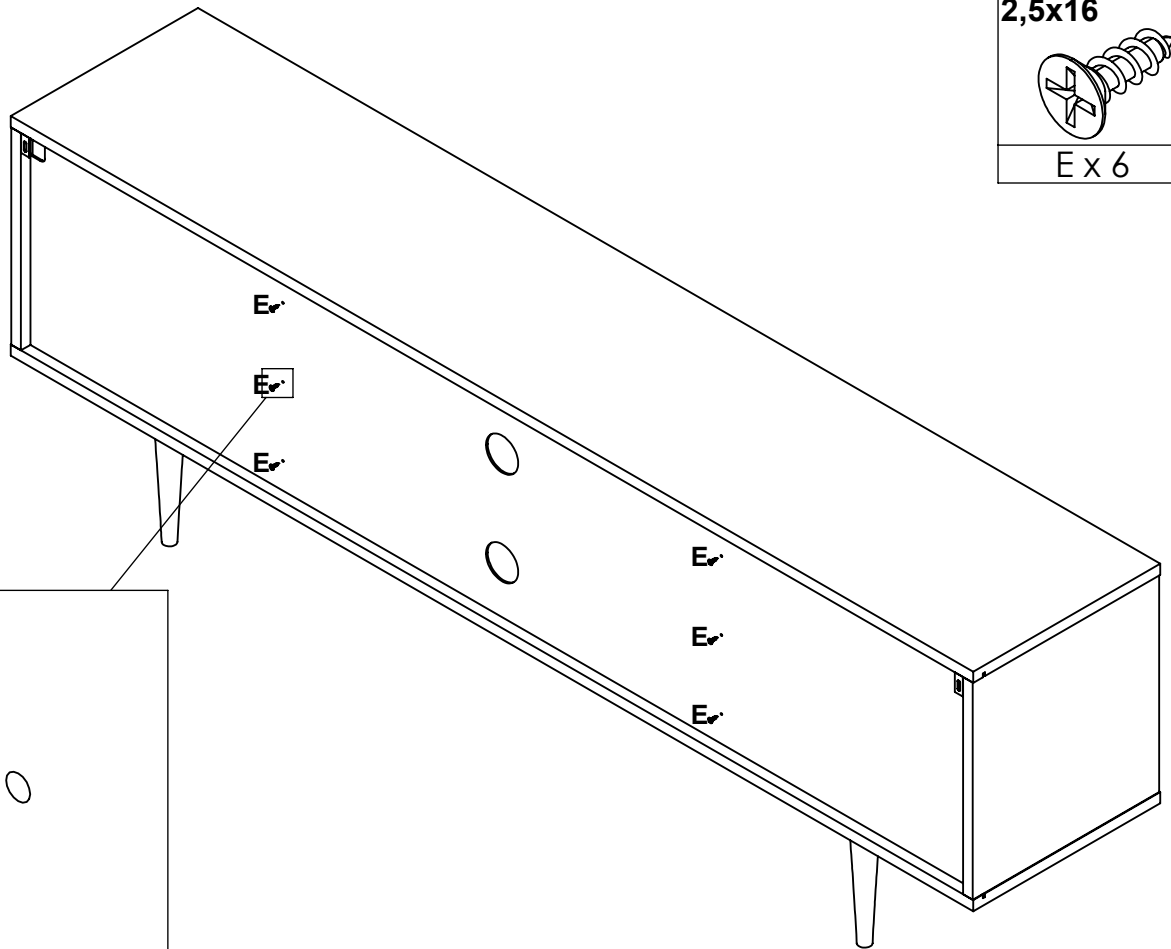
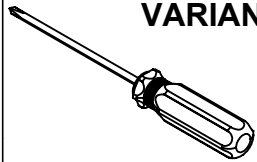
# STEP - 7

VARIANT-3

2,5x16



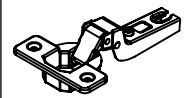
E x 6



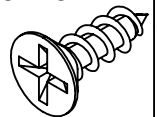
# STEP - 8

VARIANT-3

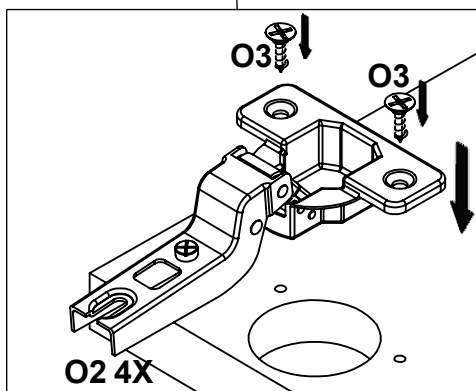
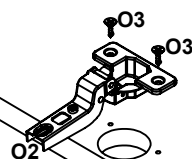
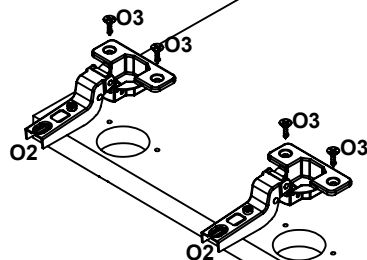
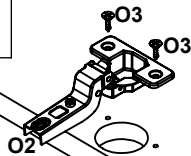
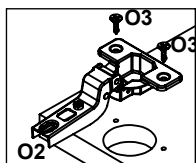
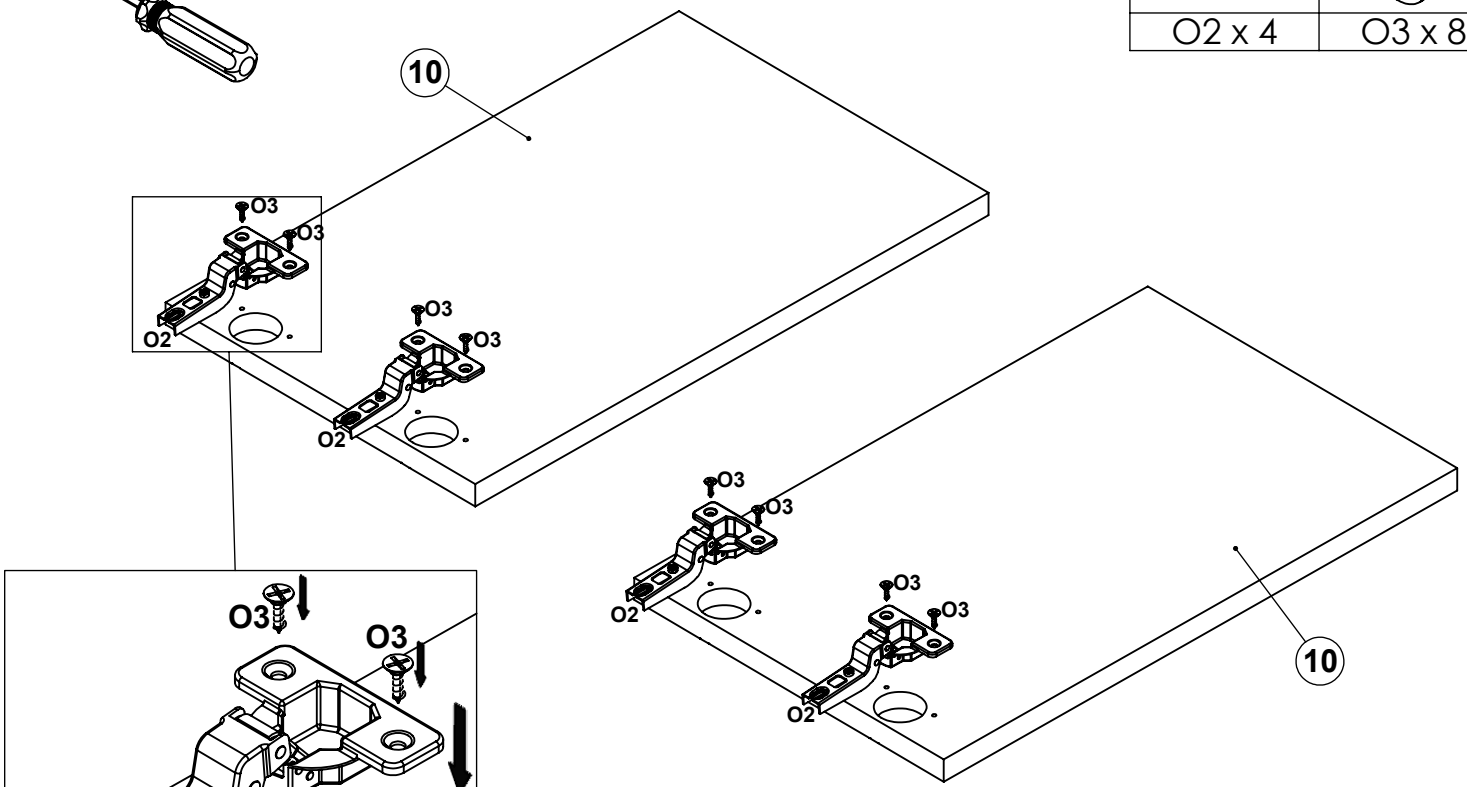
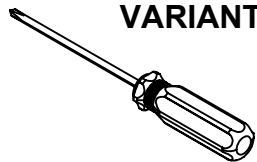
3,5x13



O2 x 4

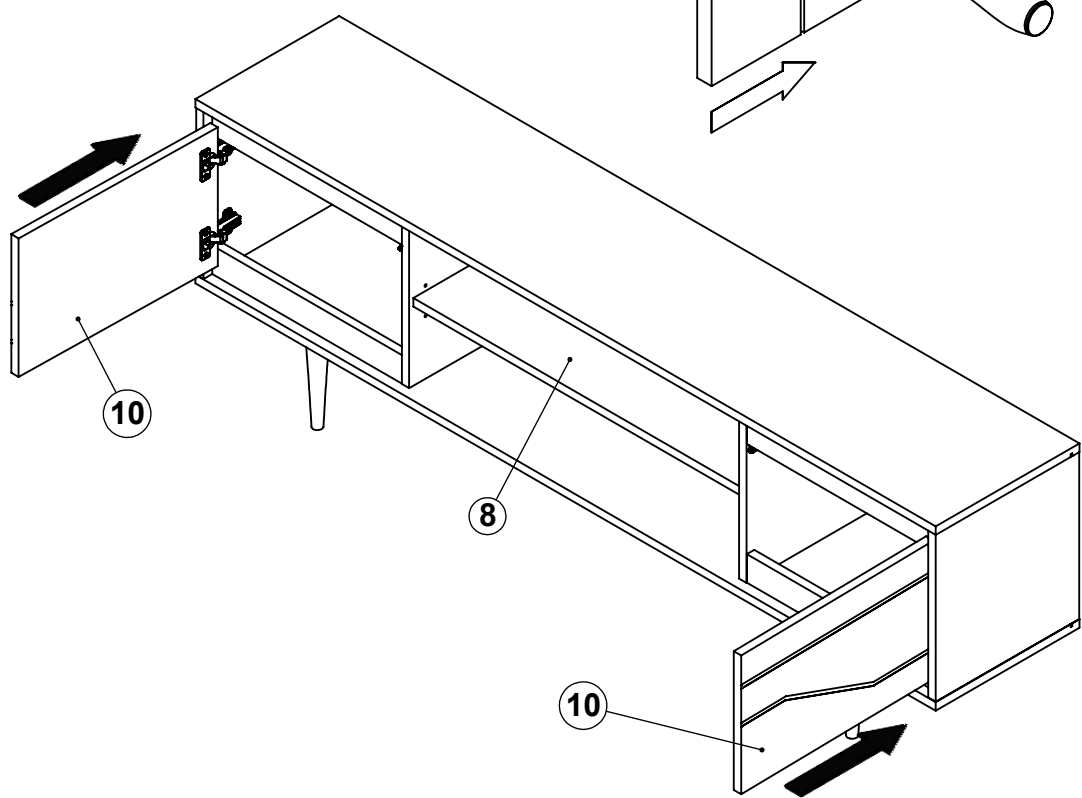
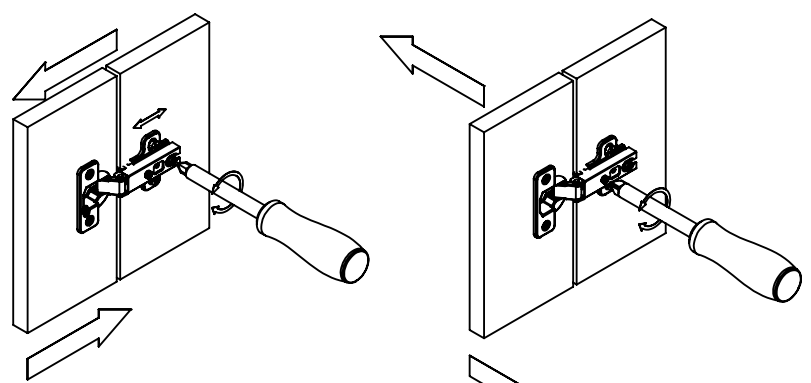
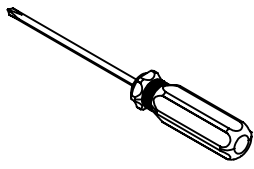


O3 x 8



**STEP - 9**

VARIANT-3

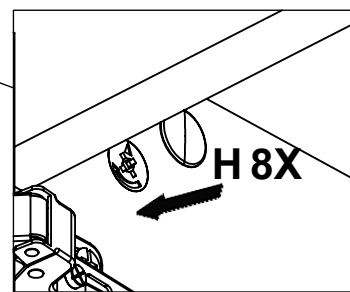
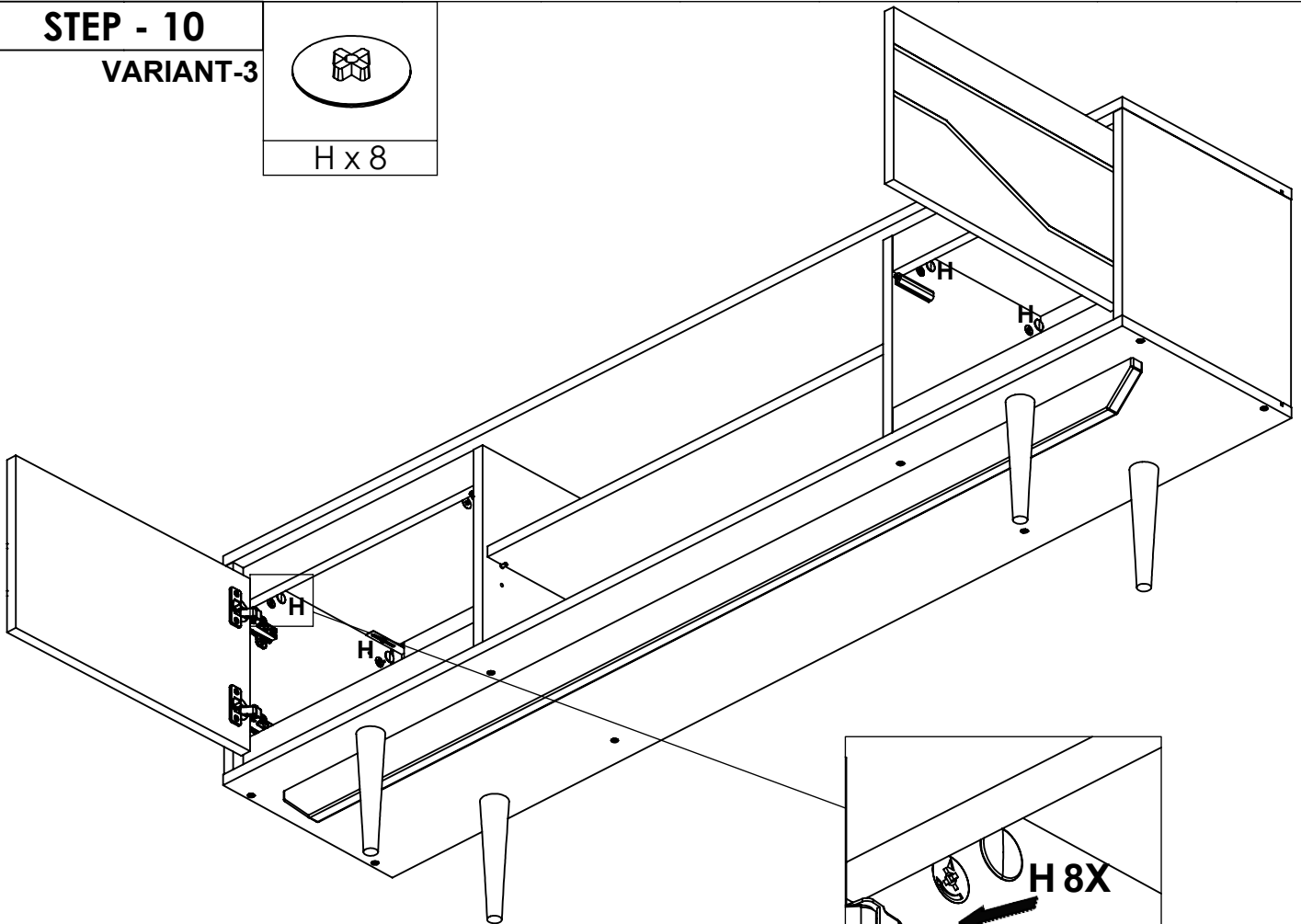


**STEP - 10**

VARIANT-3

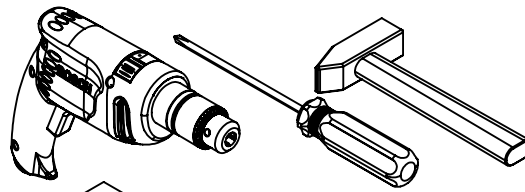


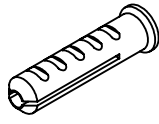
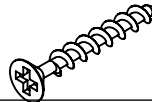
H x 8

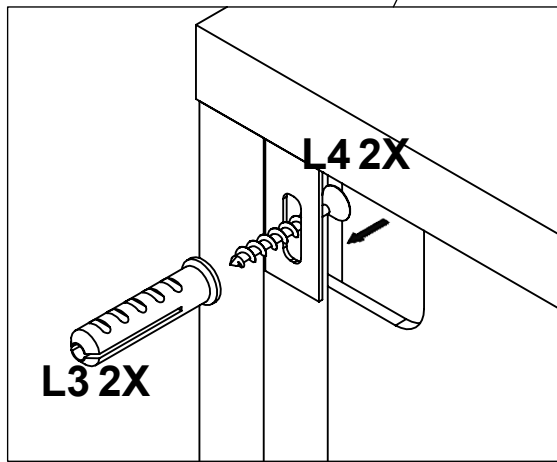
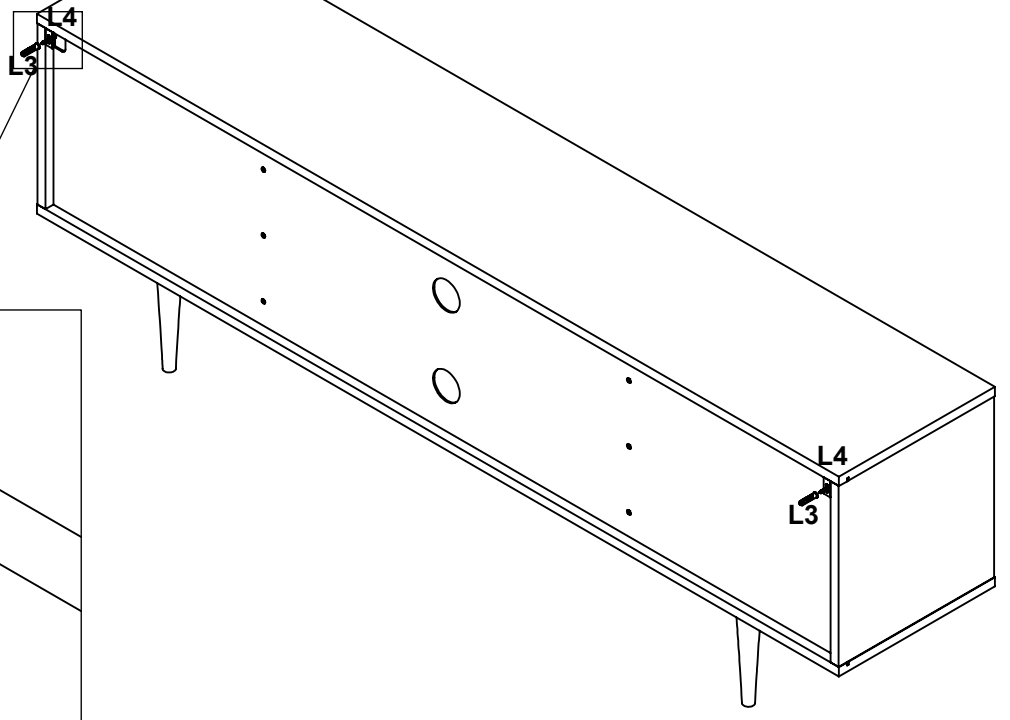


**STEP - 11**

**VARIANT-3**

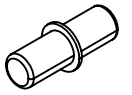
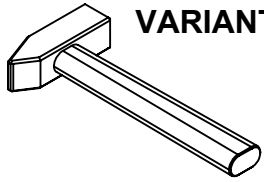


 L3 x 2	 L4 x 2
--	--

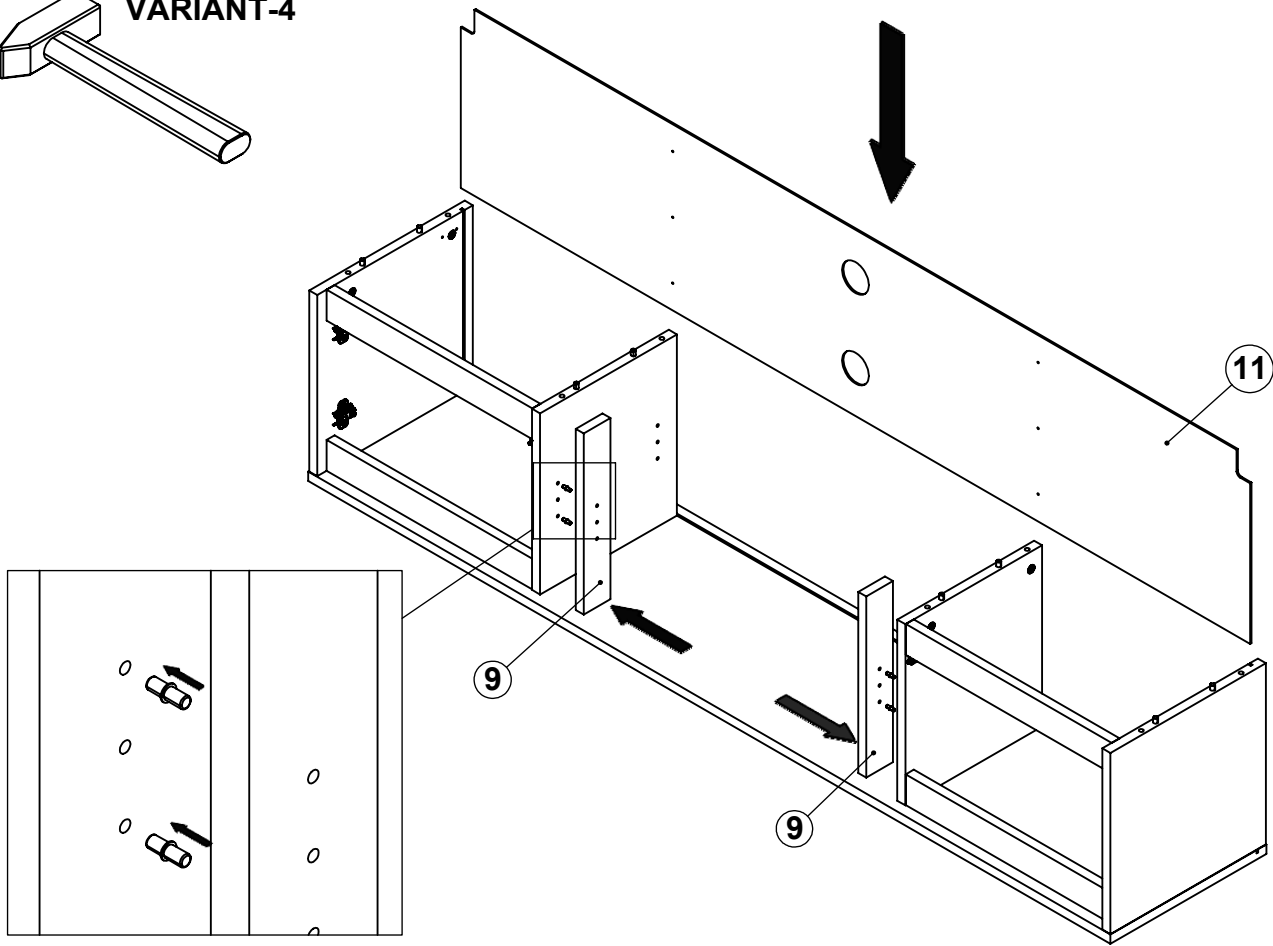


### STEP - 3

VARIANT-4



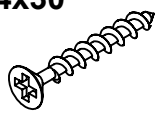
1 x 4



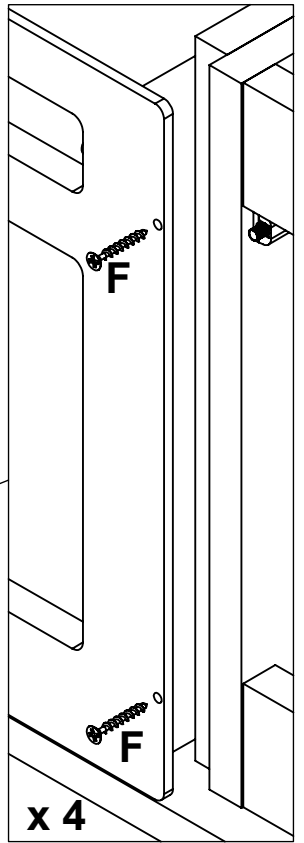
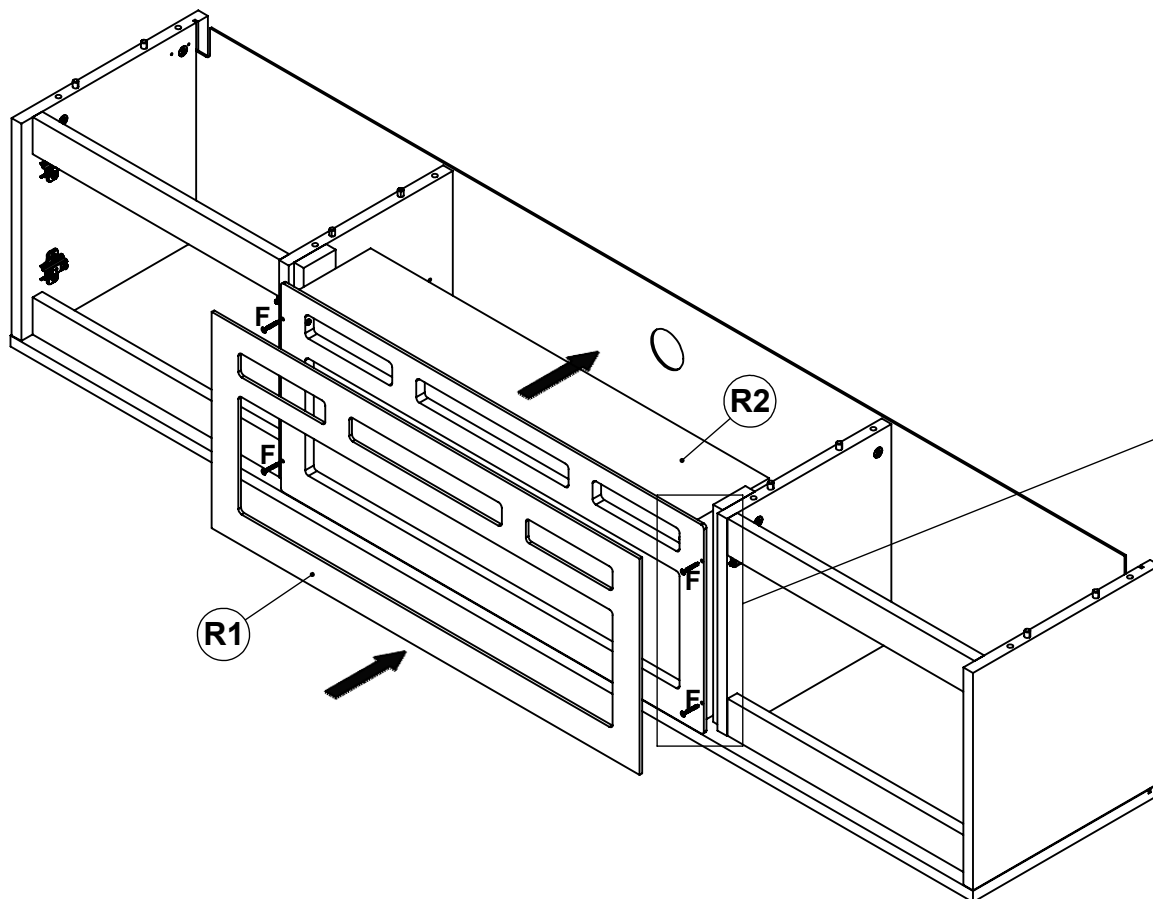
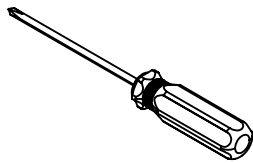
### STEP - 4

VARIANT-4

4x30

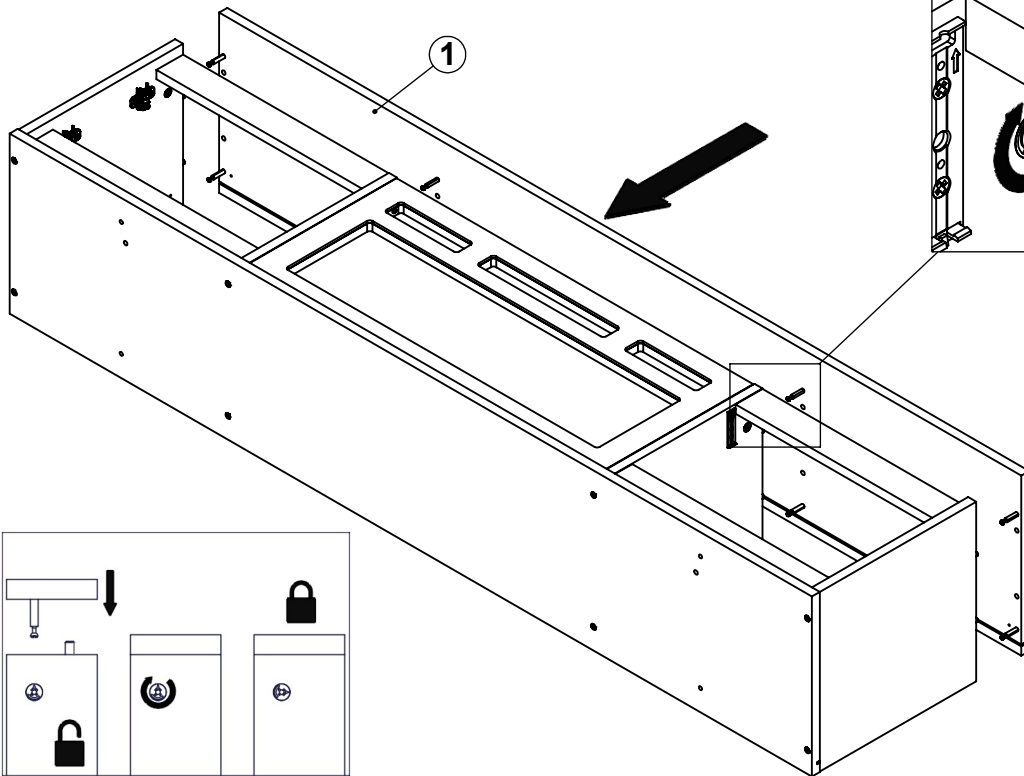


F x 4

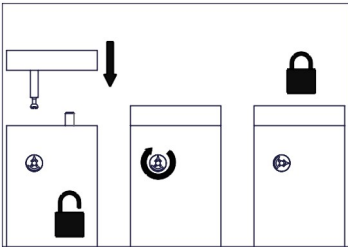


# STEP - 5

VARIANT-4



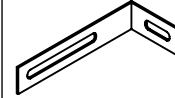
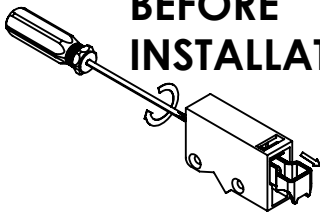
x8



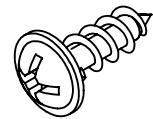
# STEP - 6

VARIANT-4

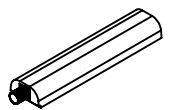
## BEFORE INSTALLATION



L1 x 2

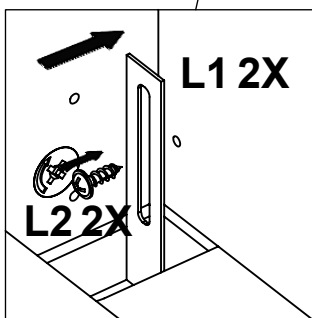
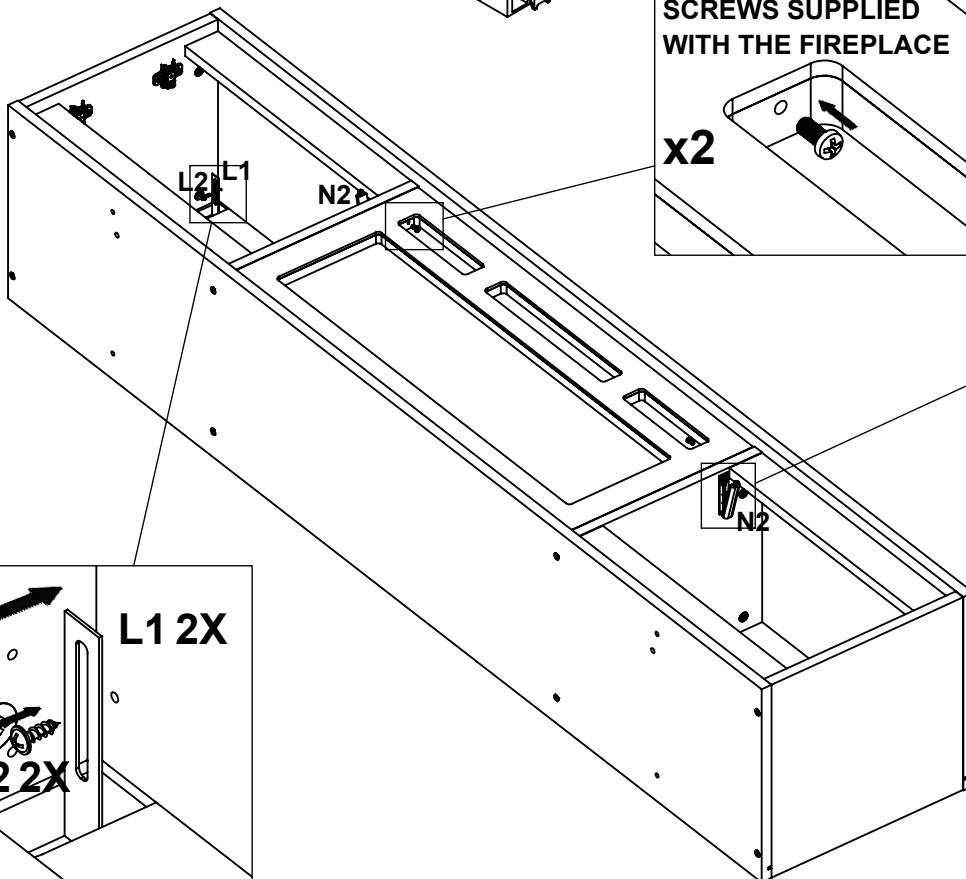
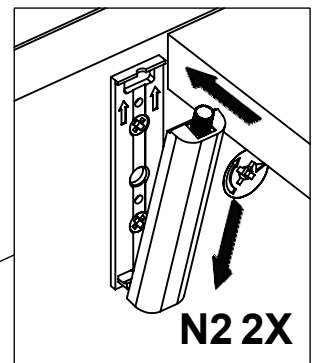
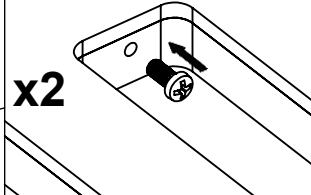


L2 x 2



N2 x 2

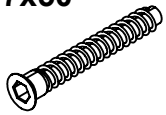
### SCREWS SUPPLIED WITH THE FIREPLACE



**STEP - 7**

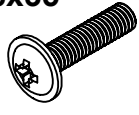
VARIANT-4

7x50

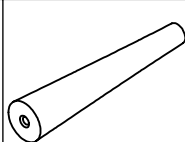


D x 2

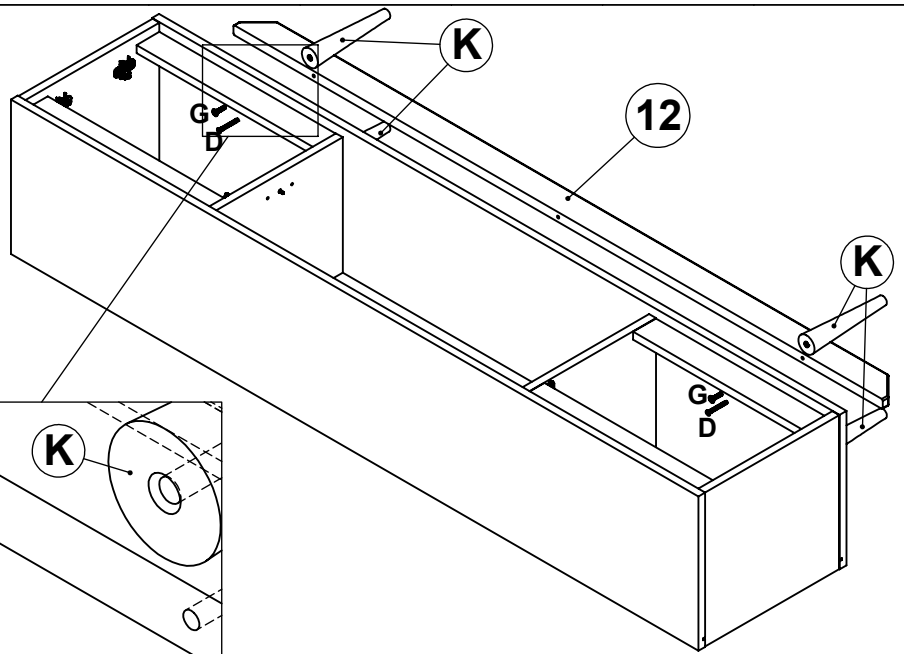
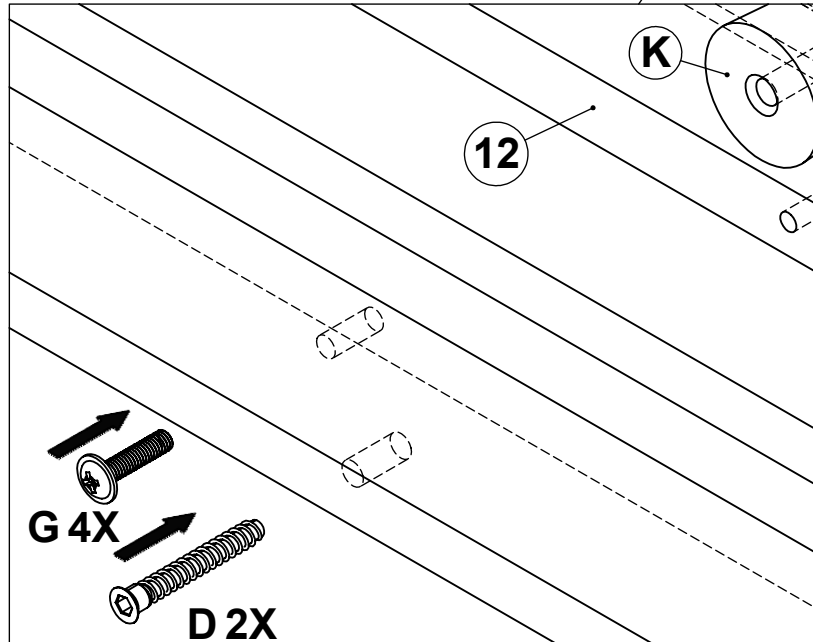
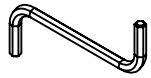
6x35



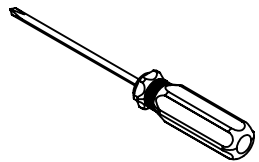
G x 4



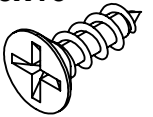
K x 4

**STEP - 8**

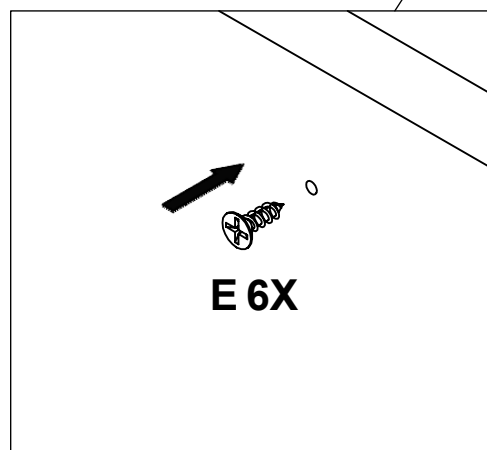
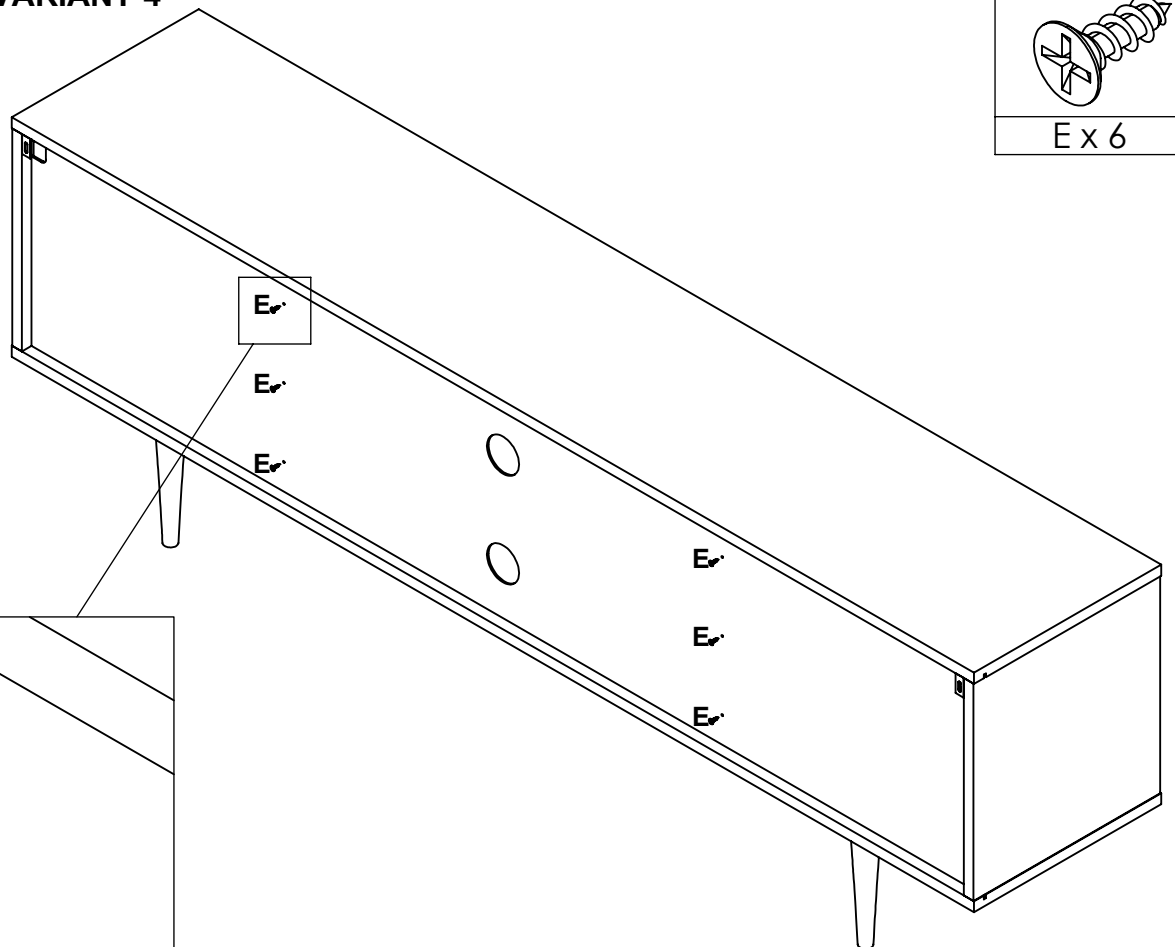
VARIANT-4



2,5x16

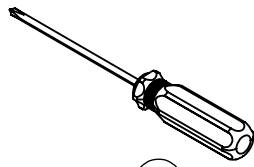


E x 6

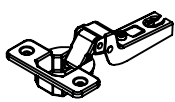
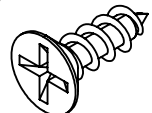


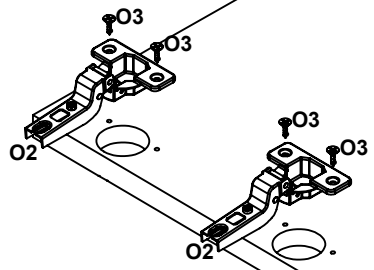
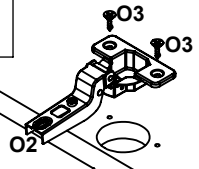
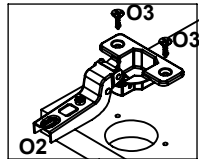
# STEP - 9

VARIANT-4

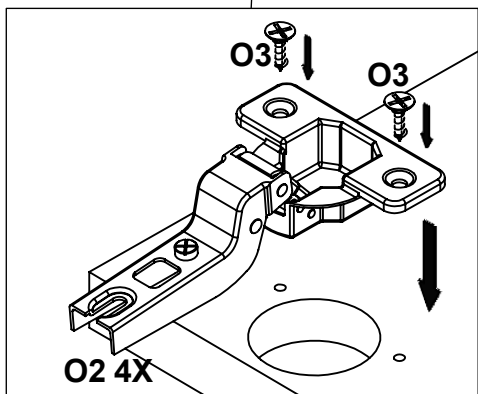


10

	
O2 x 4	O3 x 8



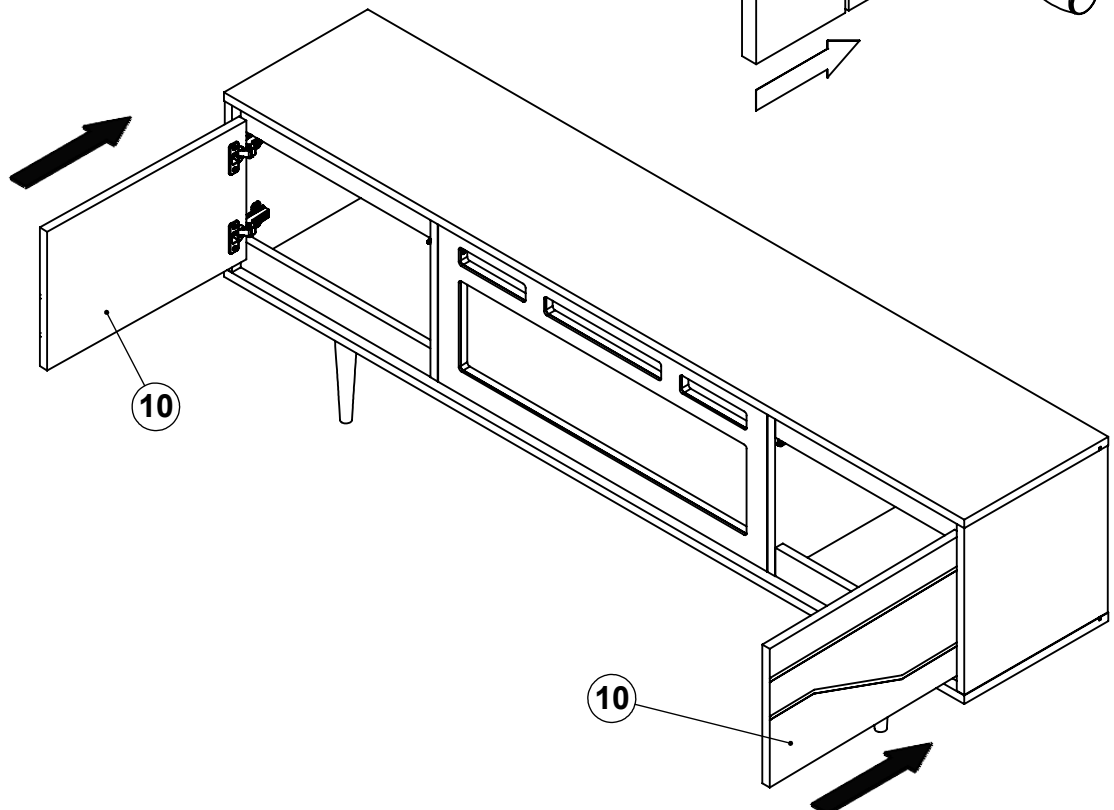
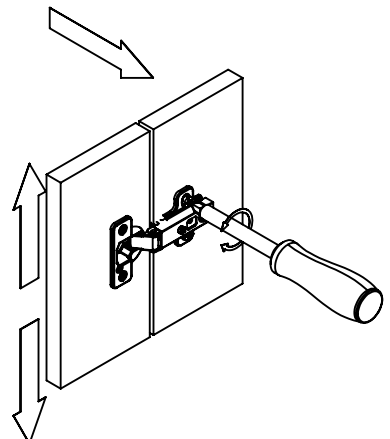
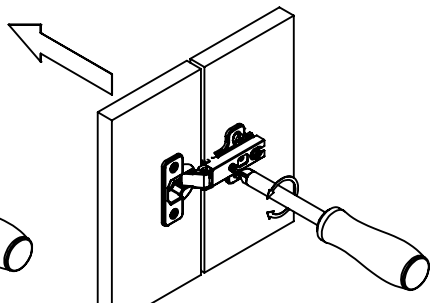
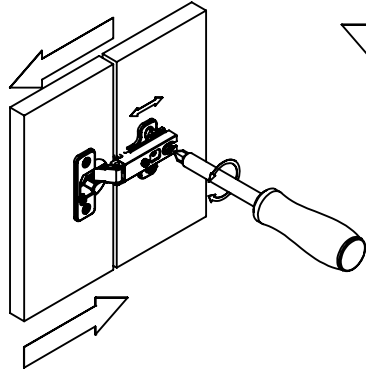
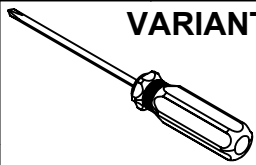
10



O2 4X

# STEP - 10

VARIANT-4

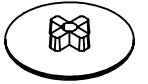


10

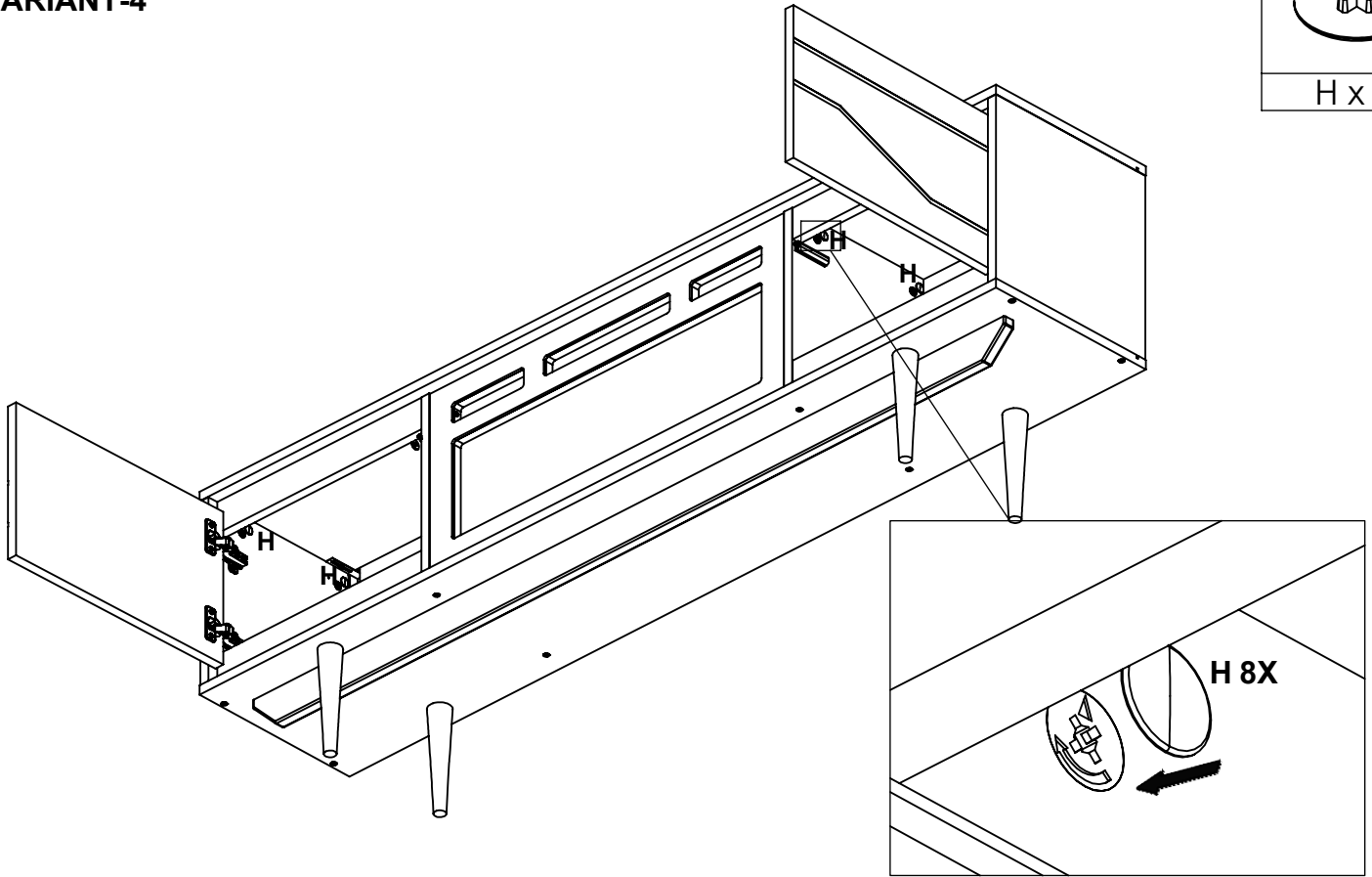
10

# STEP - 11

VARIANT-4

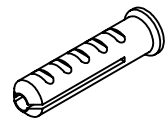
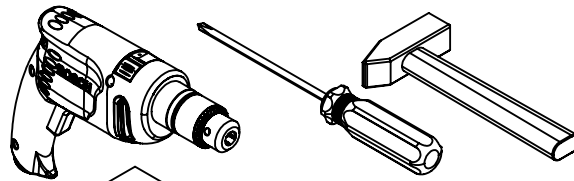


H x 8

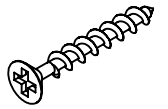


# STEP - 12

VARIANT-4



L3 x 2



L4 x 2

