

**Claim your extended 90 day product warranty
by registering your product at
www.meblefurniture.com/register**

**ATTENTION: DO NOT RETURN THIS PRODUCT!!!
PLEASE READ THE FOLLOWING!!!**

FOR REPLACEMENT/MISSING PARTS:

www.meblefurniture.com/parts

**FOR INSTRUCTION/ASSEMBLY MANUALS
AND VIDEOS:**

www.meblefurniture.com/assembly

ALL OTHER INQUIRIES:

help@meblefurniture.com

**IF YOU ARE MISSING PARTS OR YOUR
PRODUCT ARRIVED DAMAGED:**

Please fill out a parts request form at
www.meblefurniture.com/parts

Replacement parts are shipped out in one business day. You will receive a tracking number via email once your parts request has been processed.

**IF YOU ARE MISSING AN INSTRUCTION
MANUAL OR NEED ASSEMBLY HELP:**

Please visit www.meblefurniture.com/assembly to access our library of product assembly videos or to download product instruction manuals.

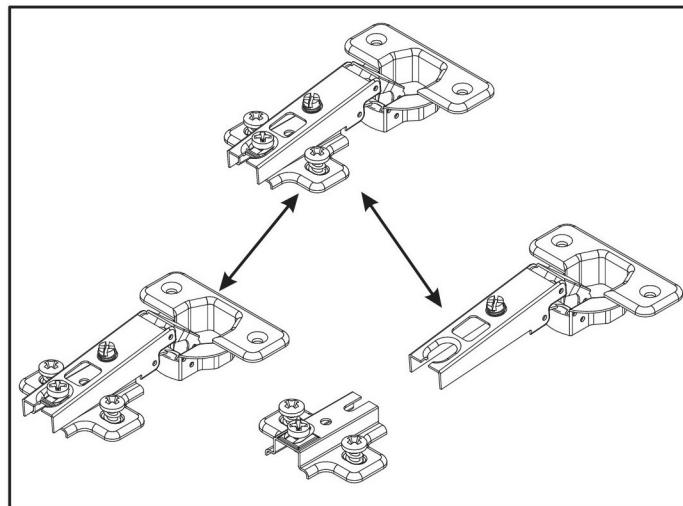
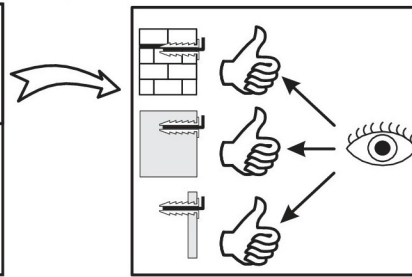
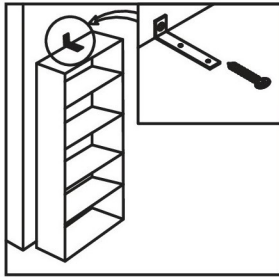
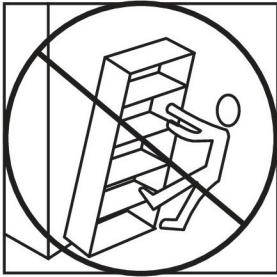
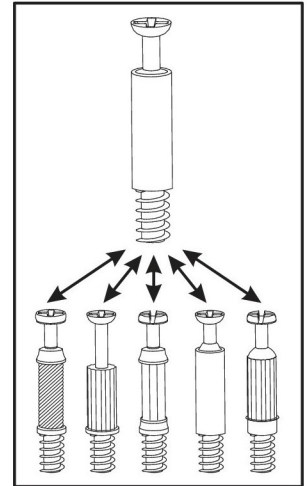
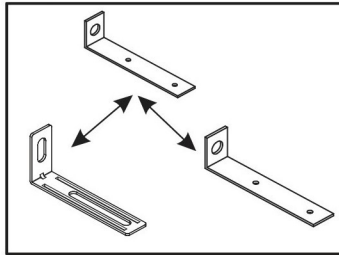
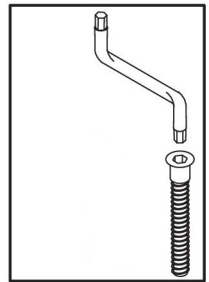
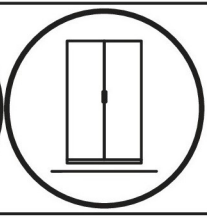
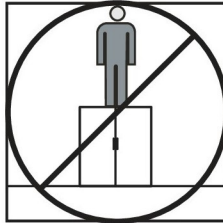
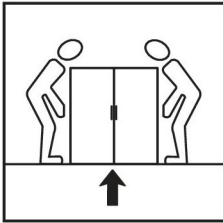
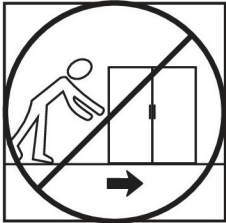
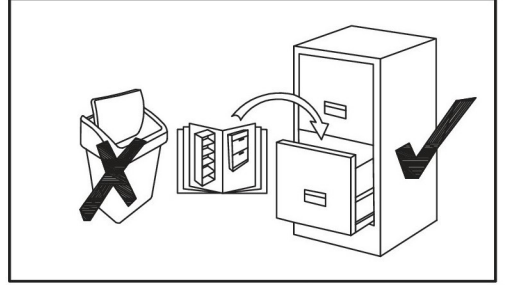
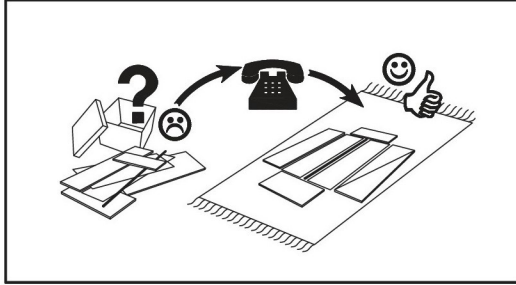
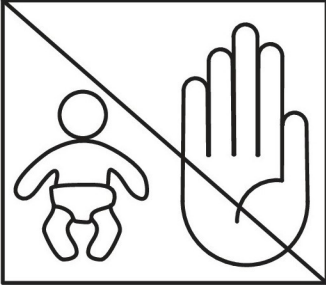
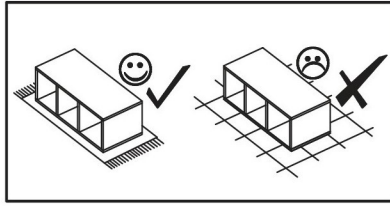
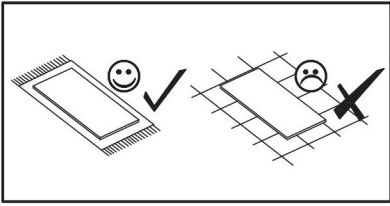
**NOTICE REGARDING HIGH GLOSS
PROTECTIVE FOIL AND PRODUCT CARE:**

After removing the protective foil from the gloss fronts, the acrylic surface of the boards is still soft and easy to scratch. With air contact, the hygroscopic acrylic layer hardens, and the board becomes more resistant to scratches. It takes approximately 48 hours for the acrylic layer of the board to fully harden.

**DO NOT CLEAN, WIPE, OR POLISH THE
ACRYLIC FRONTS FOR 48 HOURS AFTER
REMOVING THE PROTECTIVE FOIL!!!**



help@meblefurniture.com

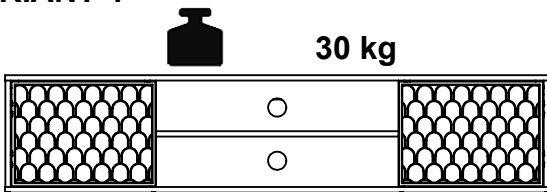


KARP TV STAND

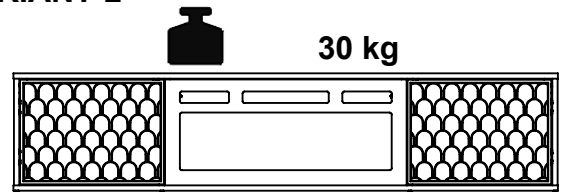
25-05-2023



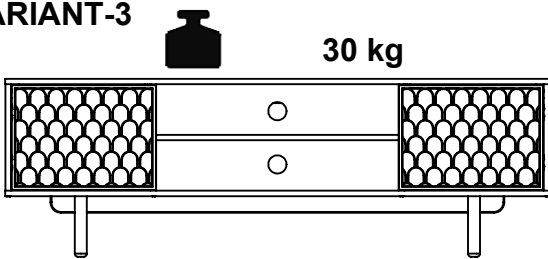
VARIANT-1



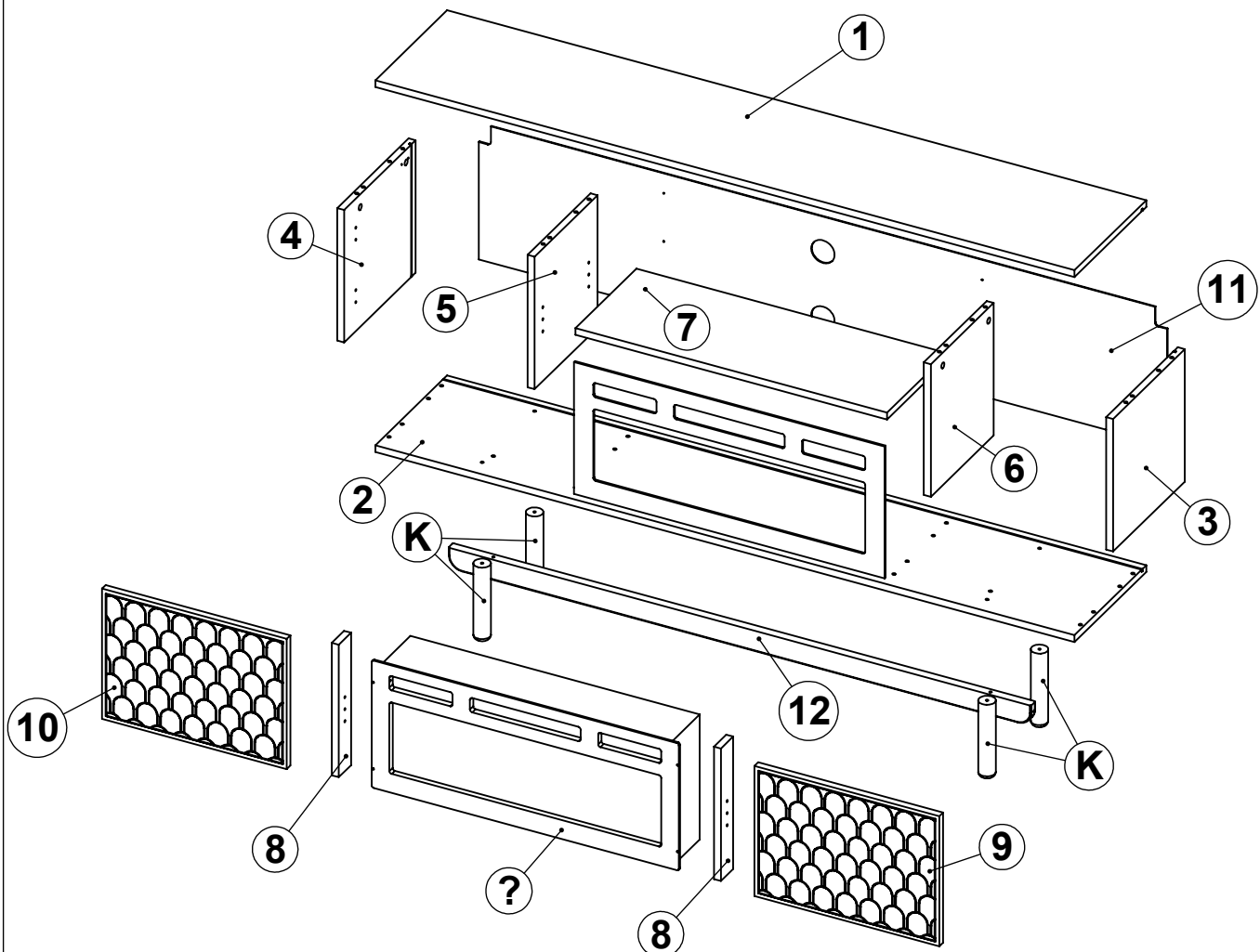
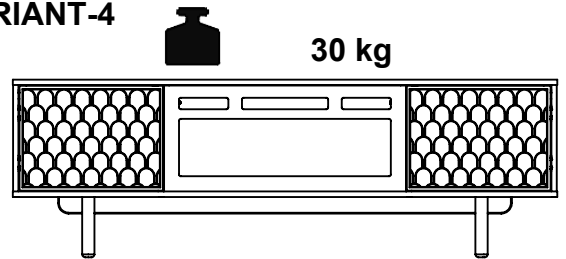
VARIANT-2

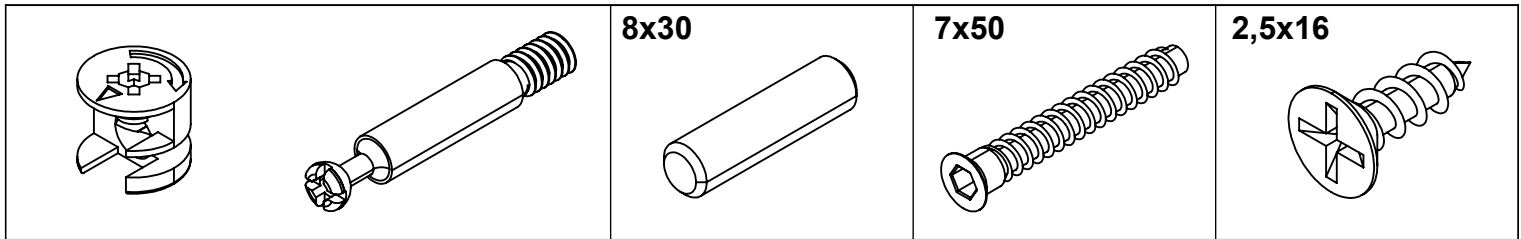


VARIANT-3

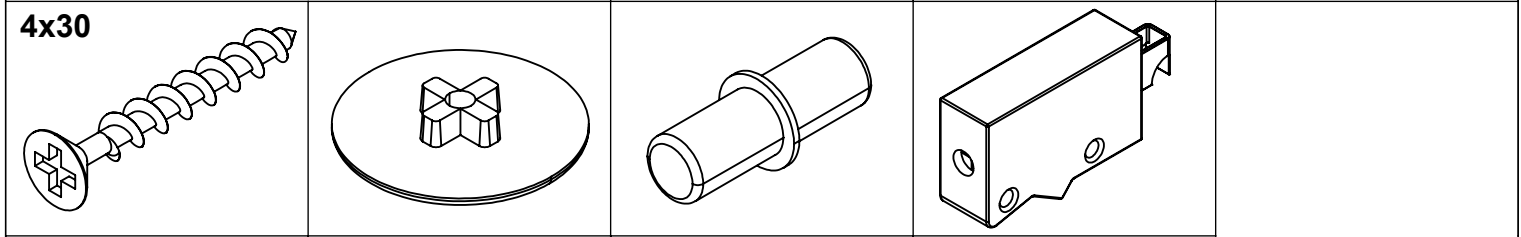


VARIANT-4

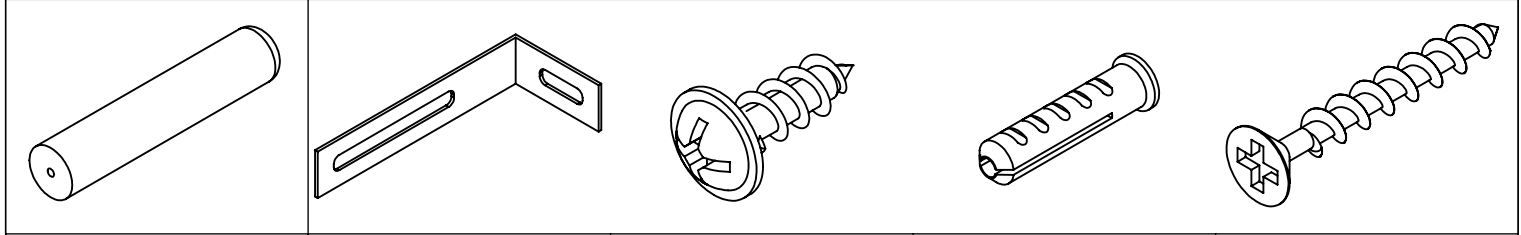




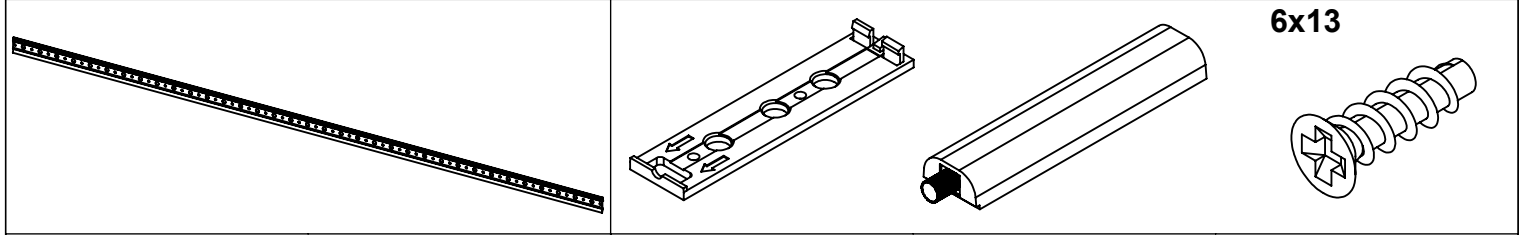
| | | | | |
|--------------|--------------|---------------|---------------|--------------|
| A x 8 | B x 8 | C x 16 | D x 14 | E x 6 |
|--------------|--------------|---------------|---------------|--------------|



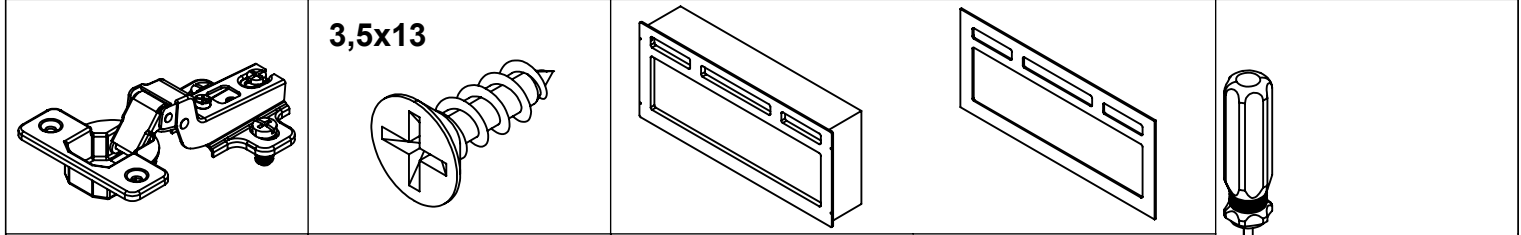
| | | | | |
|--------------|--------------|--------------|--------------|--|
| F x 8 | H x 8 | I x 4 | J x 2 | |
|--------------|--------------|--------------|--------------|--|



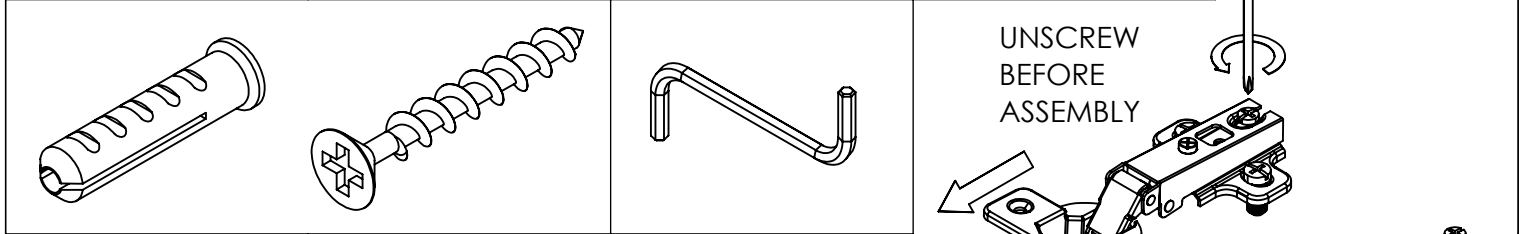
| | | | | |
|--------------|---------------|---------------|---------------|---------------|
| K x 4 | L1 x 2 | L2 x 2 | L3 x 2 | L4 x 2 |
|--------------|---------------|---------------|---------------|---------------|



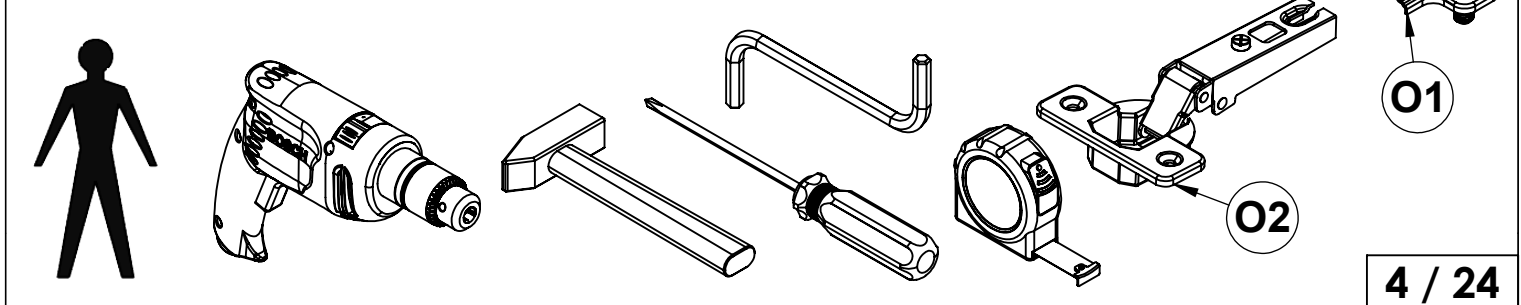
| | | | |
|--------------|---------------|---------------|---------------|
| M x 1 | N1 x 2 | N2 x 2 | N3 x 4 |
|--------------|---------------|---------------|---------------|



| | | | |
|--------------------|---------------|-------------------------------|--|
| O1/O2 x 4/4 | O3 x 8 | R1 x 1 / R2 x 1 | |
|--------------------|---------------|-------------------------------|--|



| | | | |
|---------------|---------------|--------------|--|
| S1 x 2 | S2 x 2 | IMBUS | |
|---------------|---------------|--------------|--|



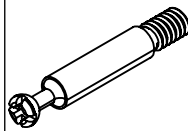
O1

O2

STEP - 1



A x 8

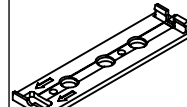


B x 8

8x30

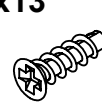


C x 16

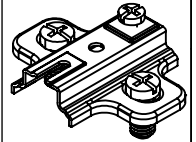


N1 x 2

6x13

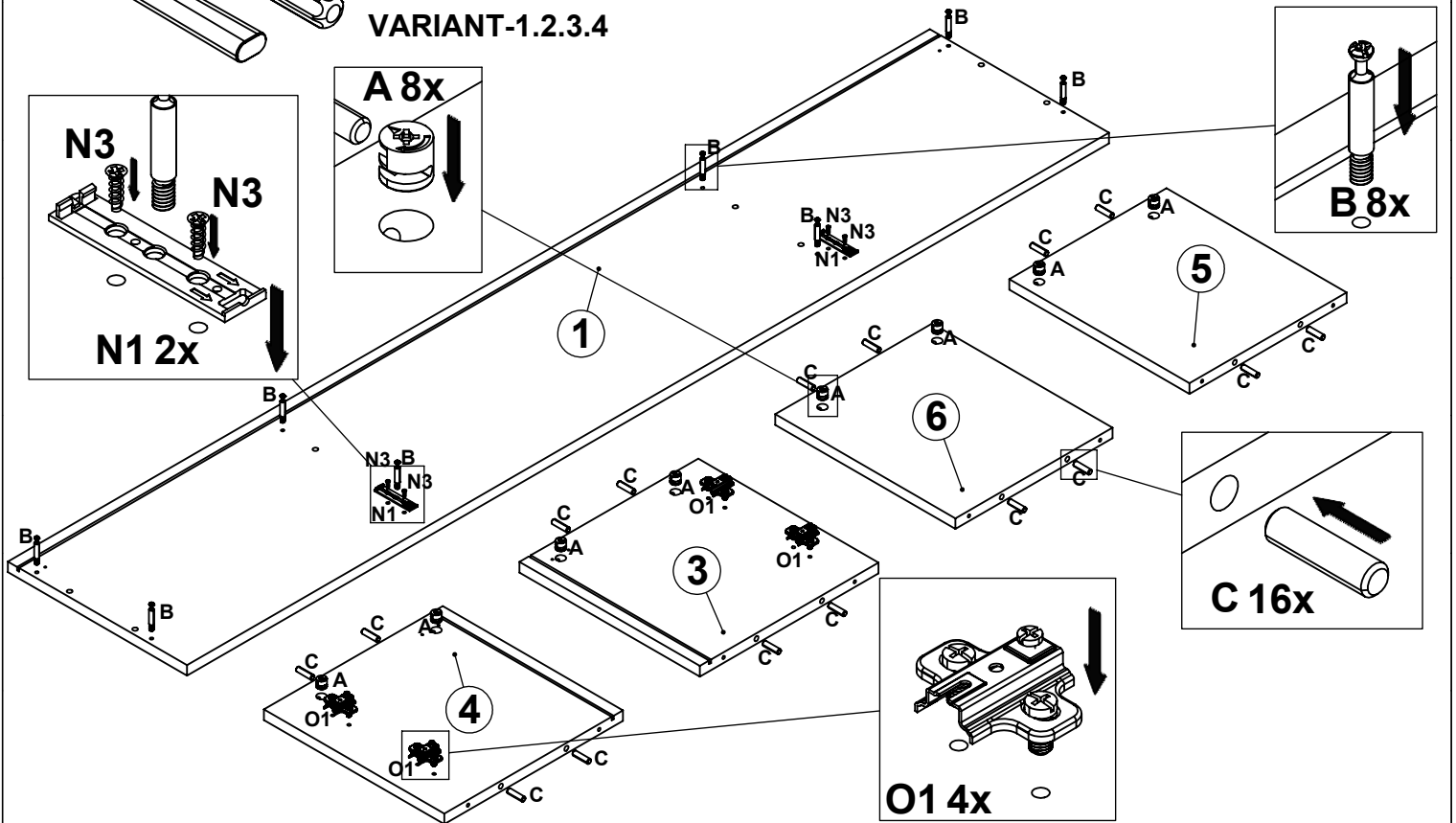


N3 x 4



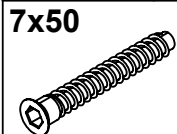
O1 x 4

VARIANT-1.2.3.4

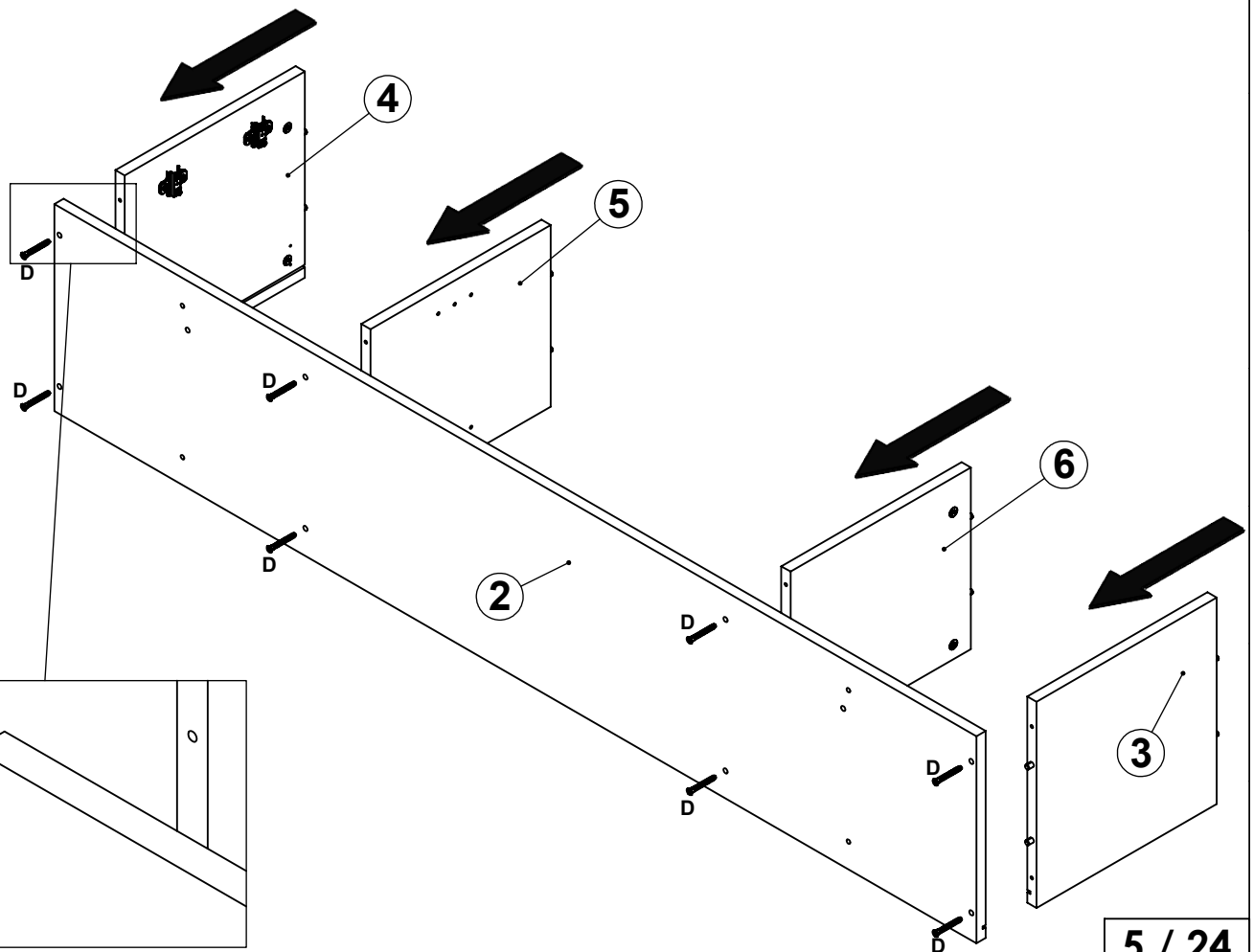
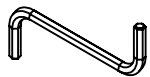


STEP - 2

VARIANT-1.2.3.4



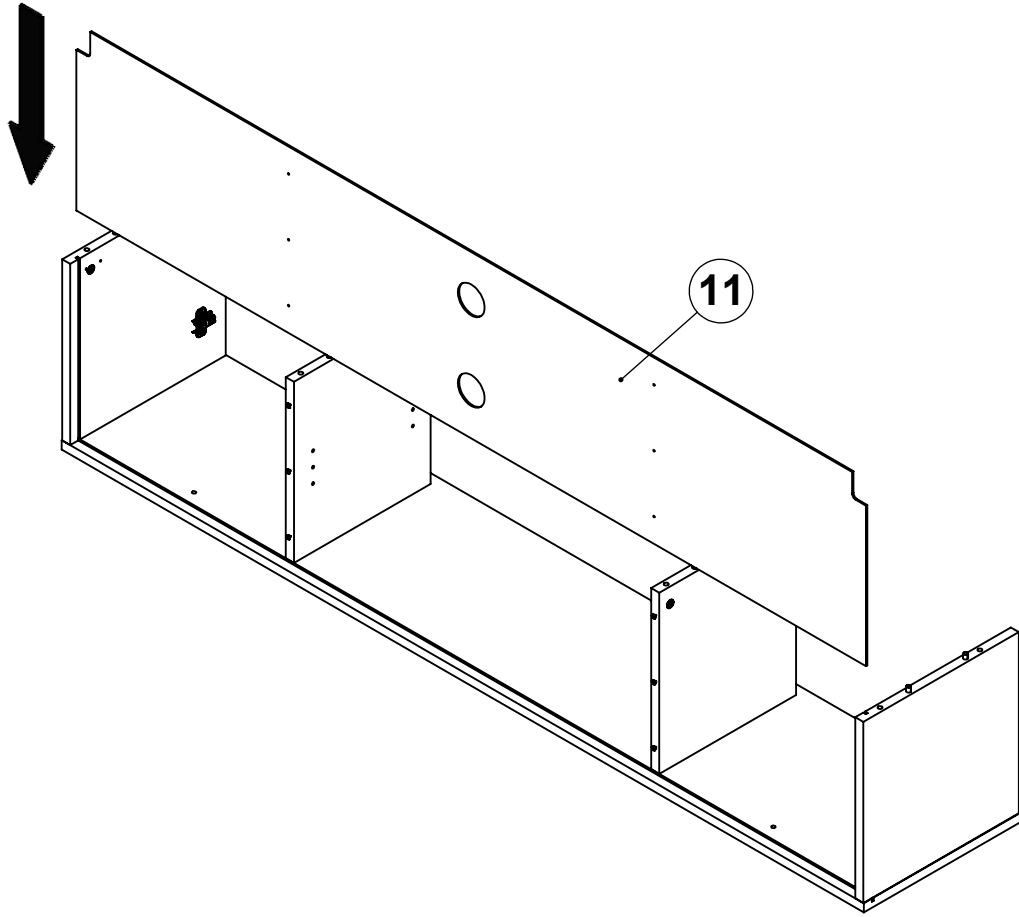
D x 8



D 8x

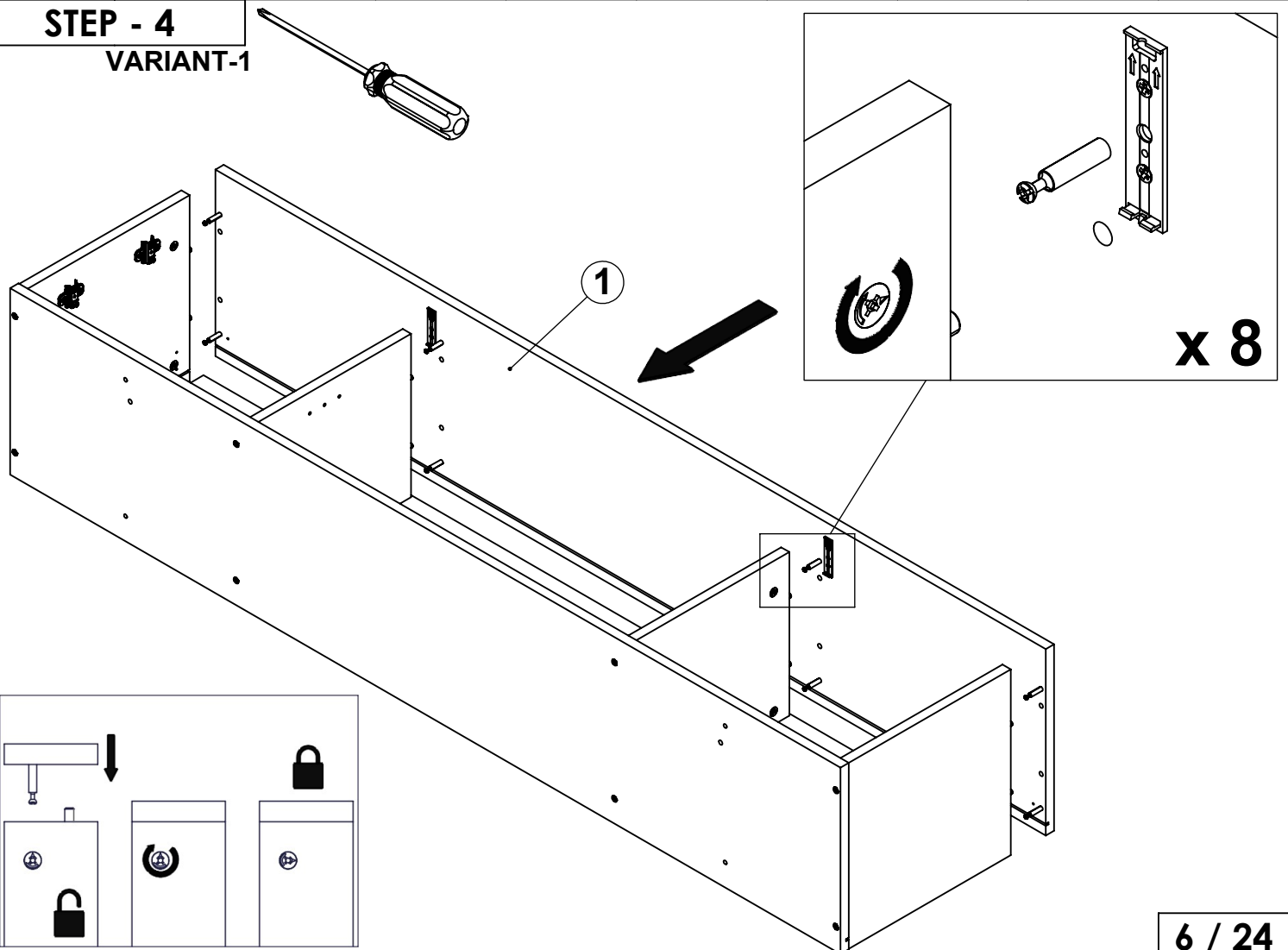
STEP - 3

VARIANT-1



STEP - 4

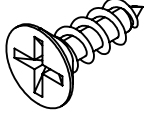
VARIANT-1



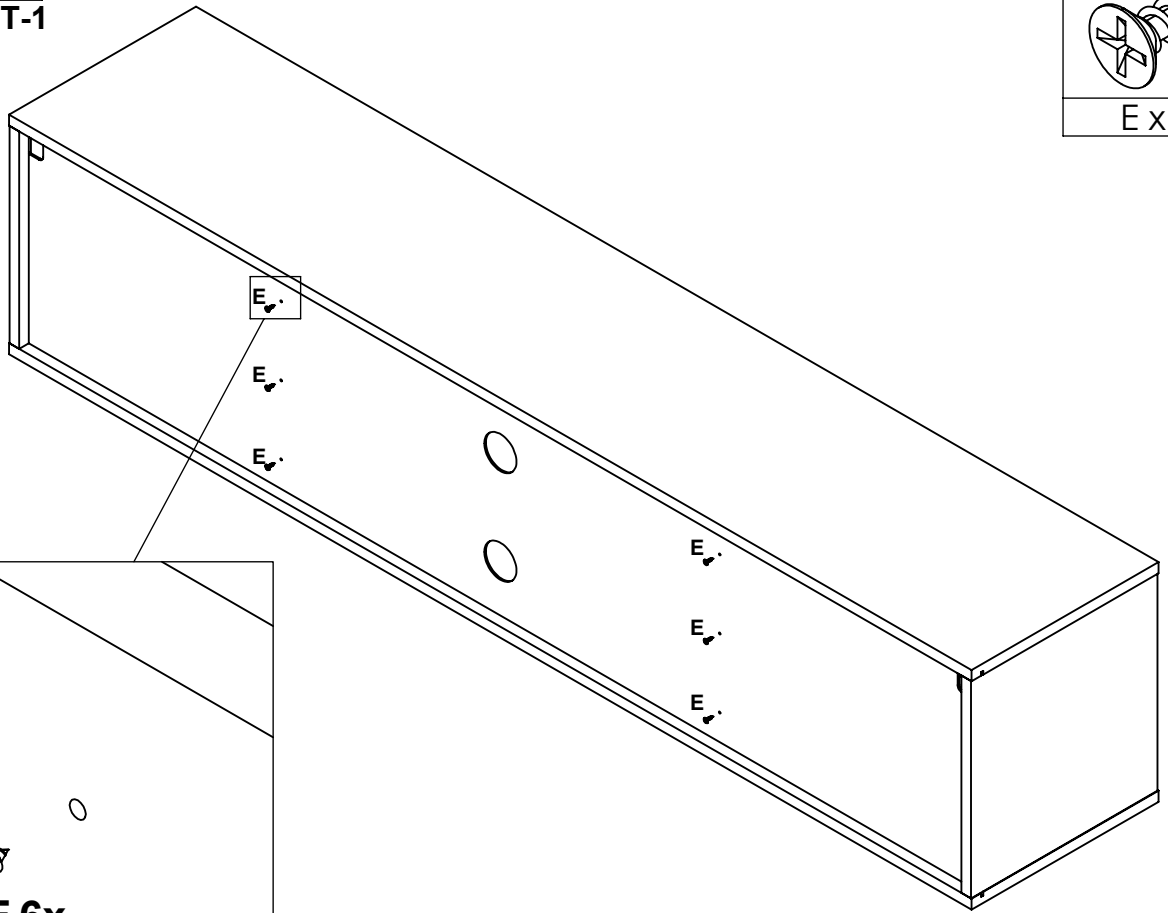
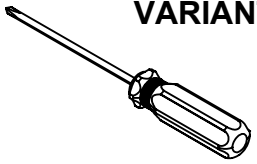
STEP - 5

VARIANT-1

2,5x16



E x 6



E

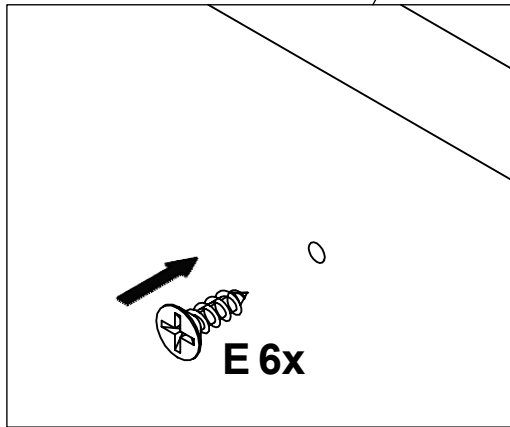
E

E

E

E

E

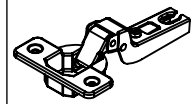


E 6x

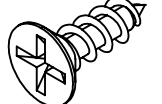
STEP - 6

VARIANT-1

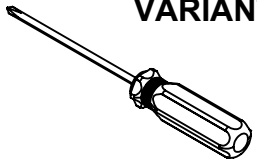
3,5x13



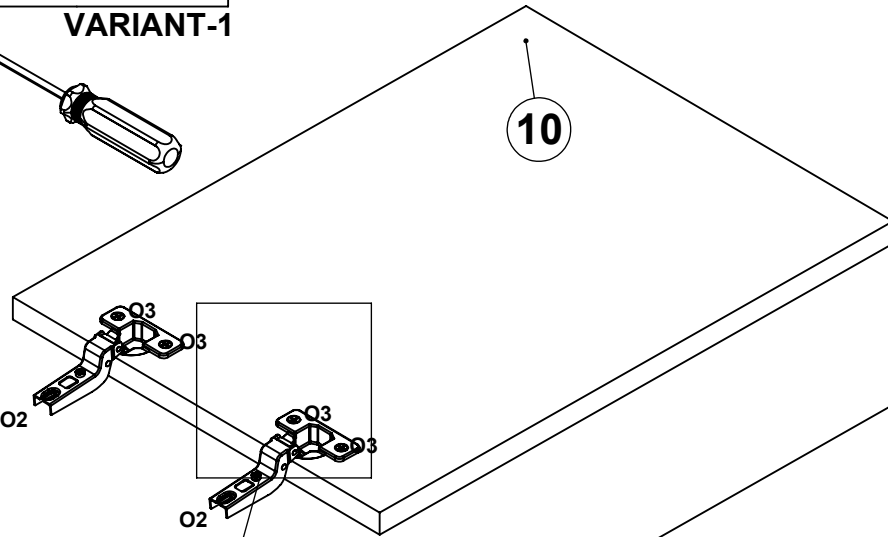
O2 x 4



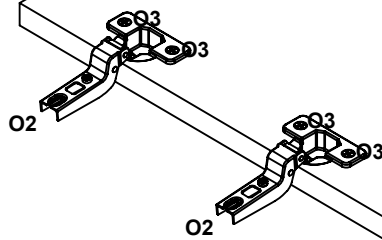
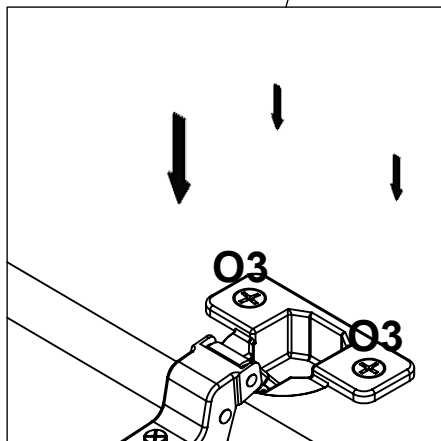
O3 x 8



10



9

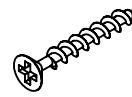


STEP - 7

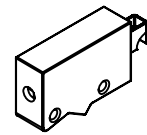
VARIANT-1

BEFORE INSTALLATION

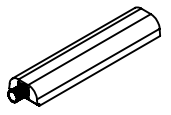
4x30



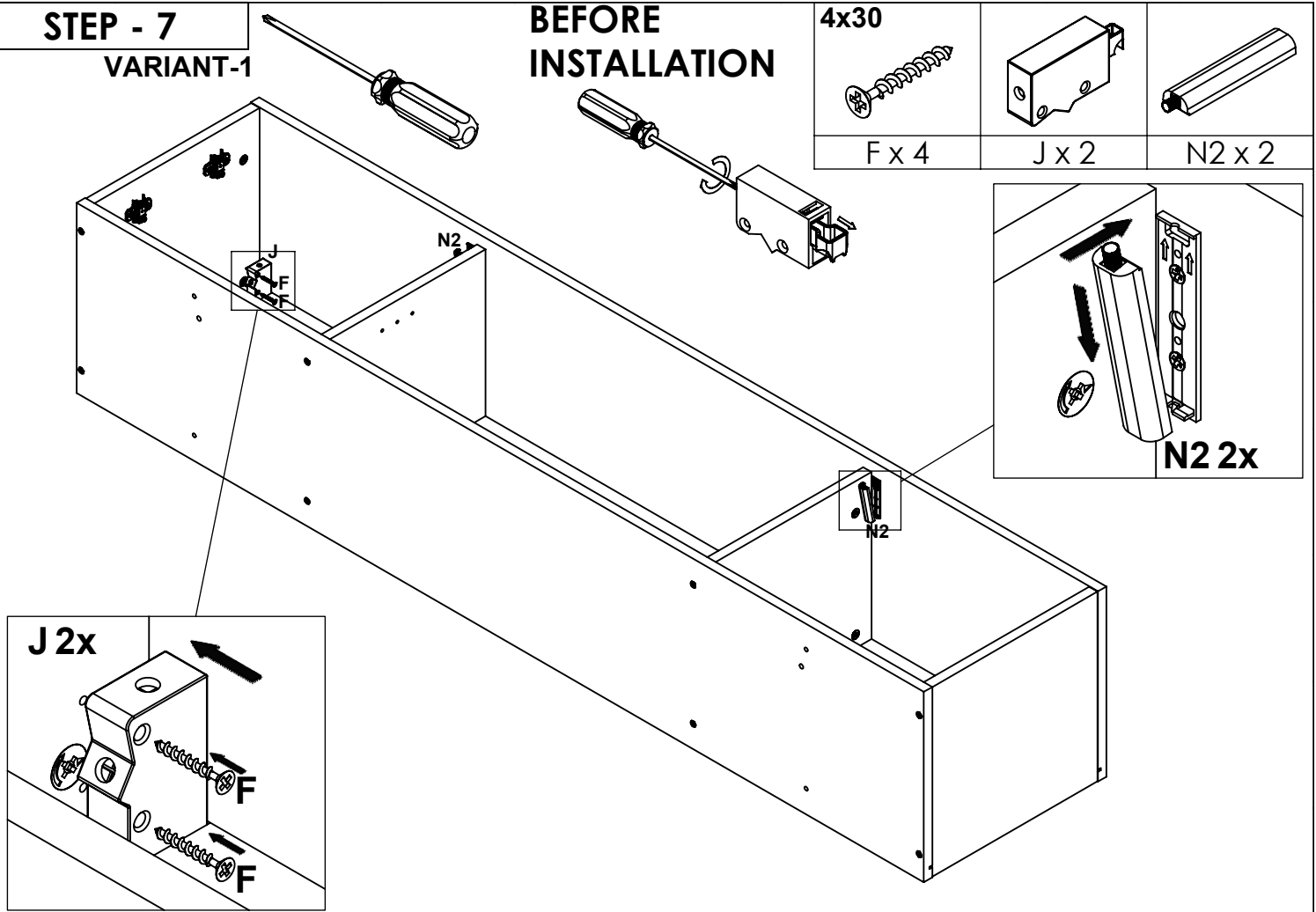
F x 4



J x 2

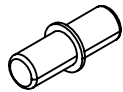


N2 x 2

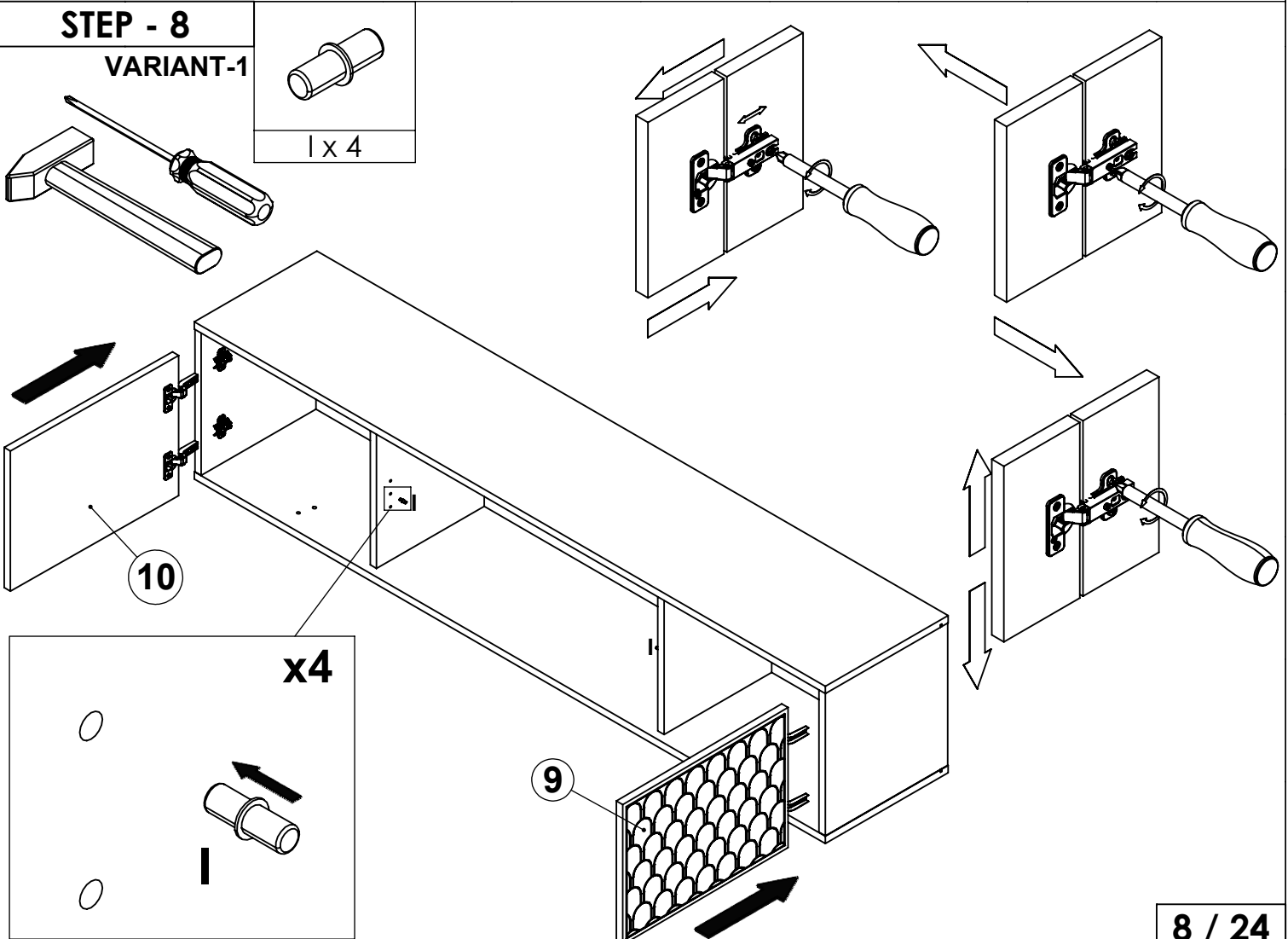
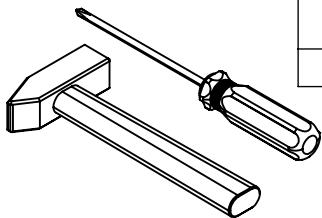


STEP - 8

VARIANT-1



I x 4

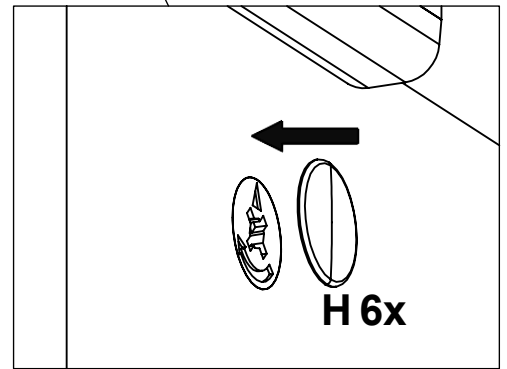
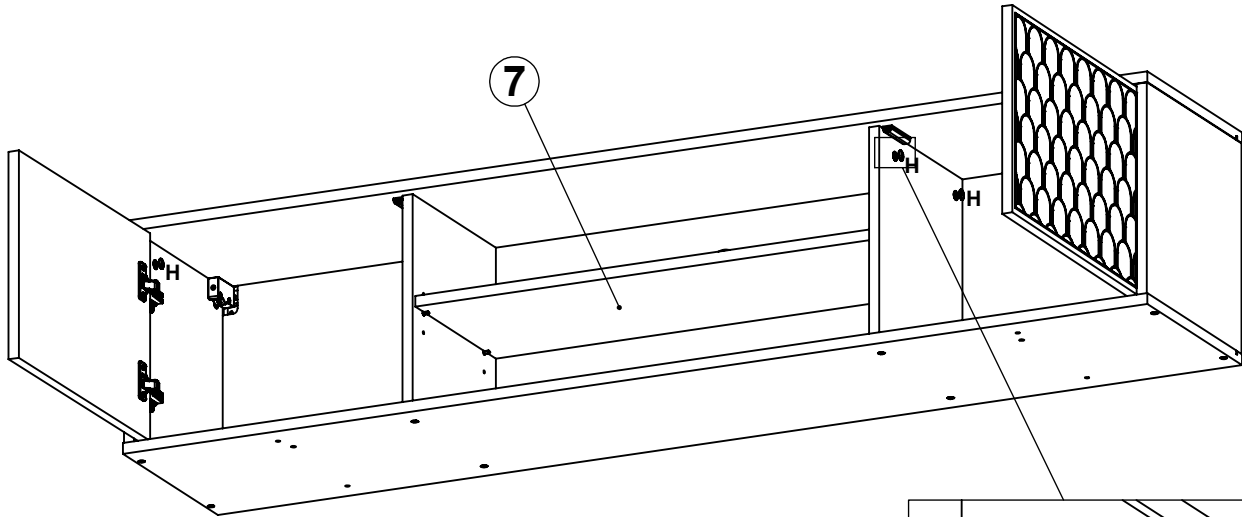


STEP - 9

VARIANT-1

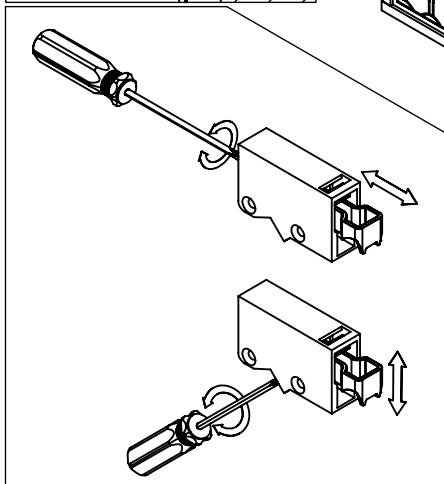
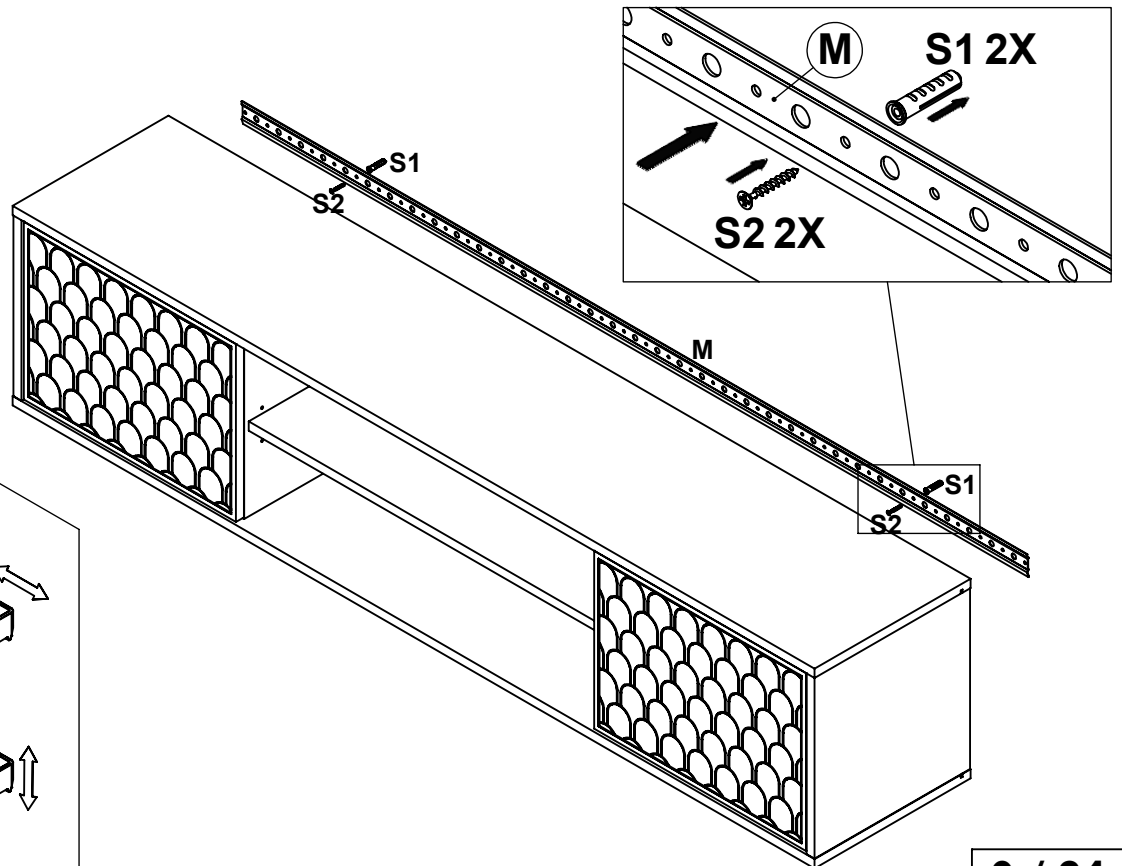
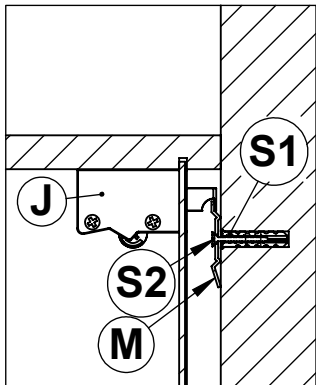
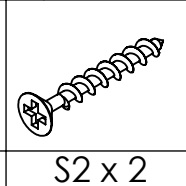
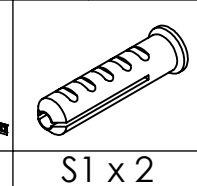
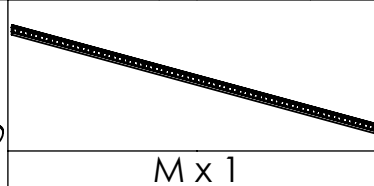
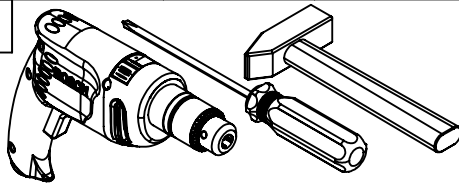


H x 6



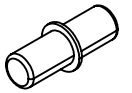
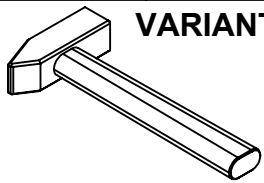
STEP - 10

VARIANT-1

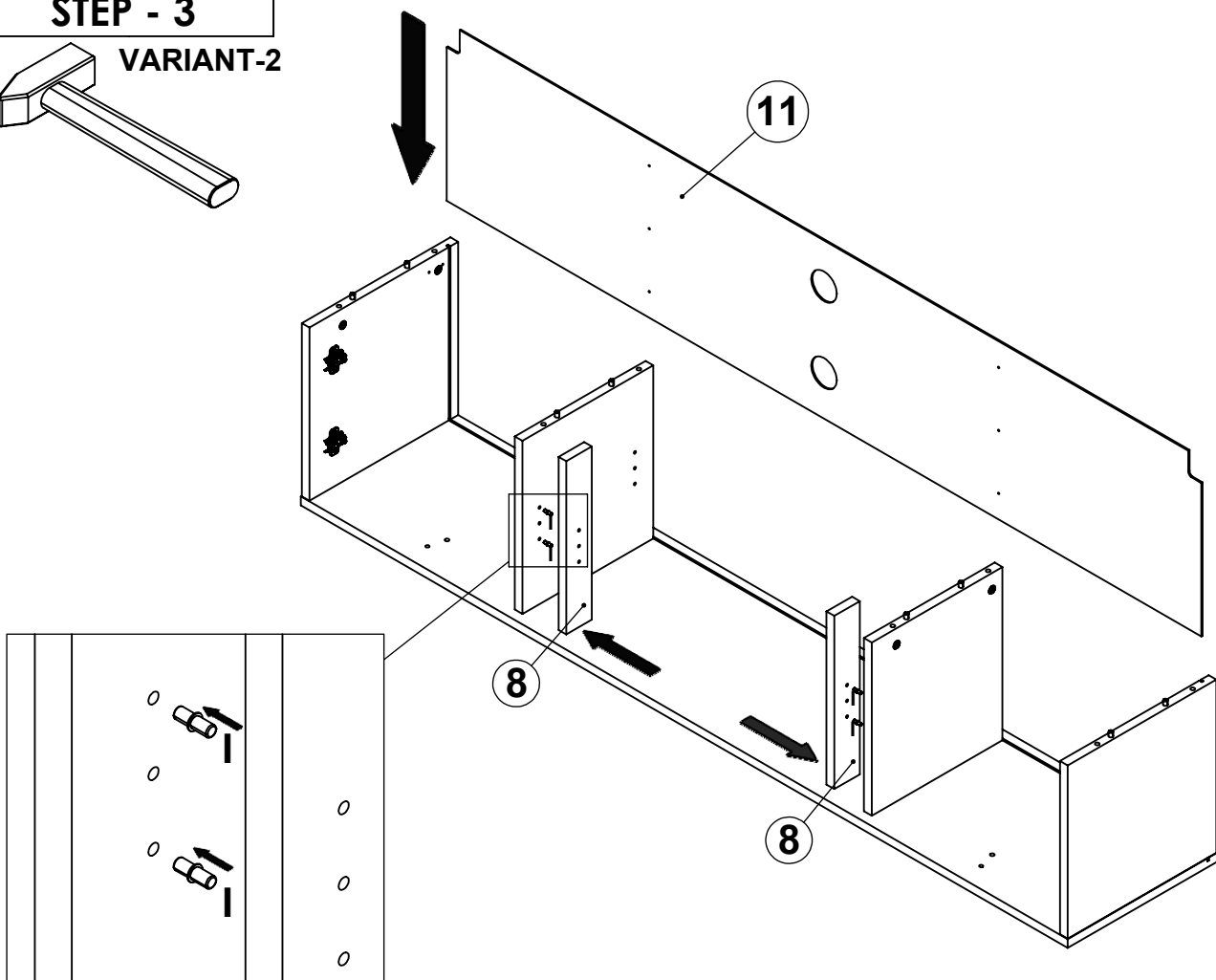


STEP - 3

VARIANT-2



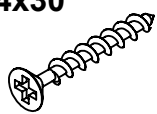
1 x 4



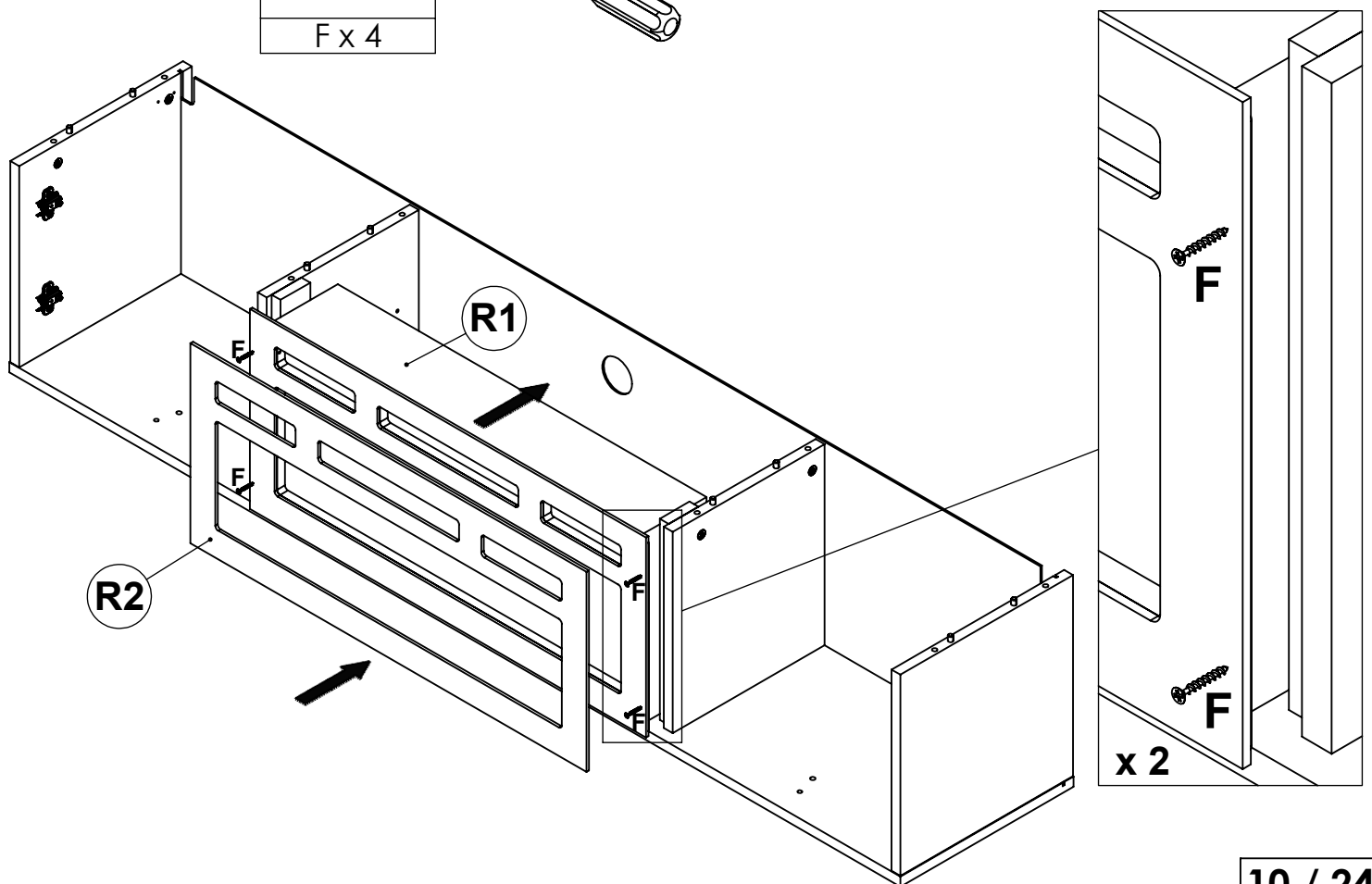
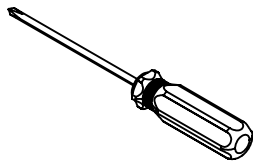
STEP - 4

VARIANT-2

4x30

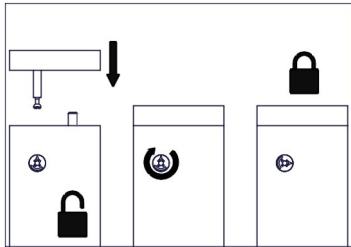
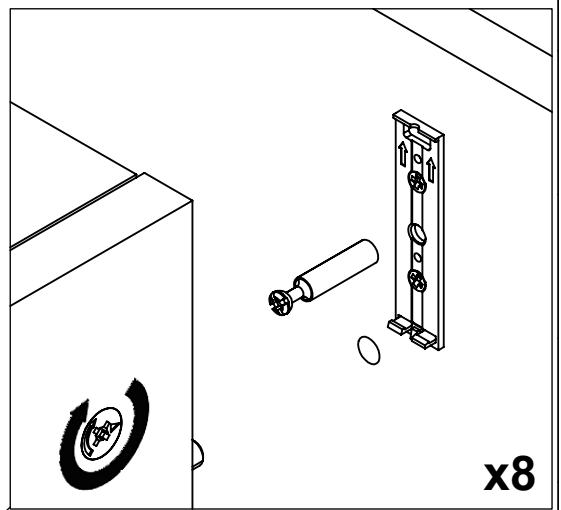
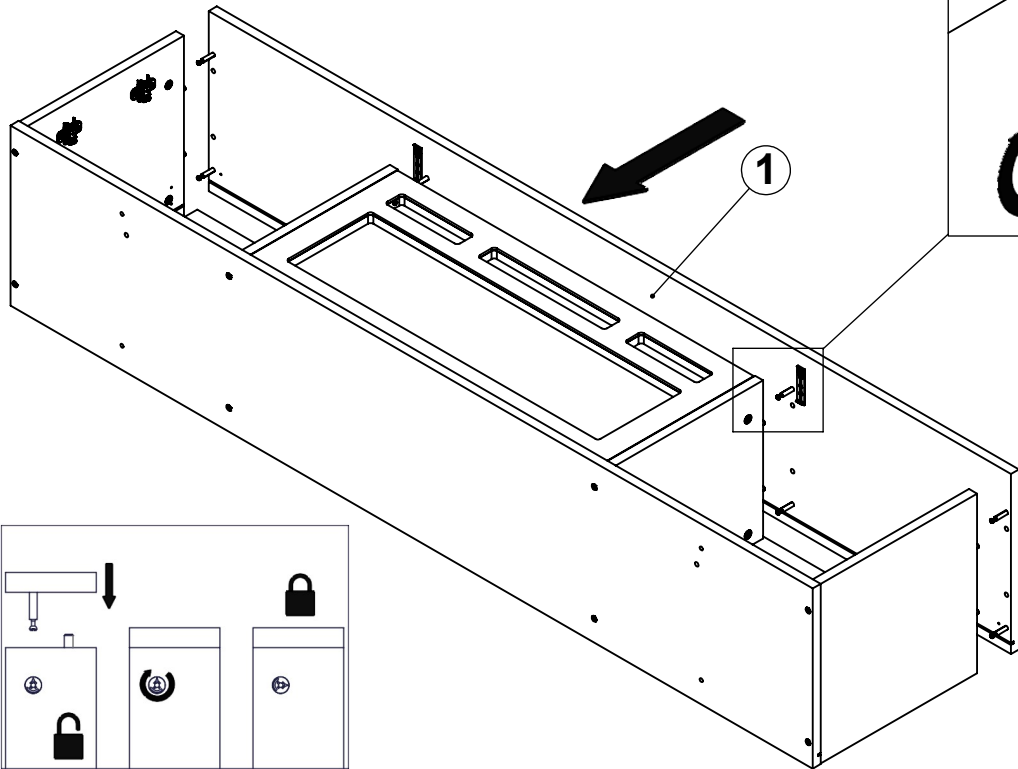


F x 4



STEP - 5

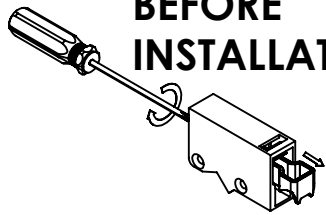
VARIANT-2



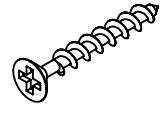
STEP - 6

VARIANT-2

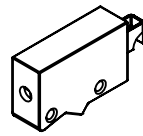
BEFORE INSTALLATION



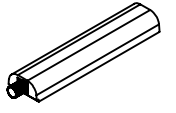
4x30



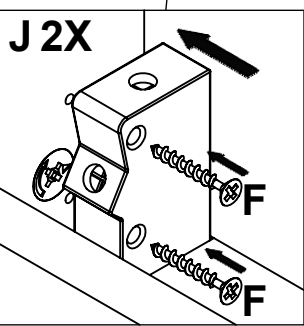
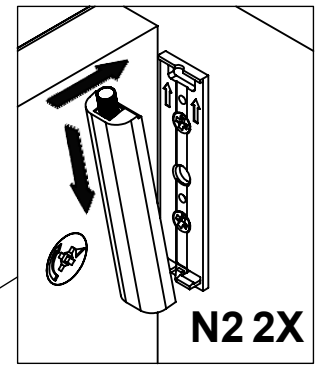
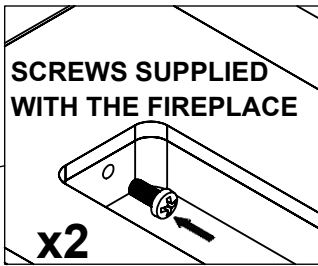
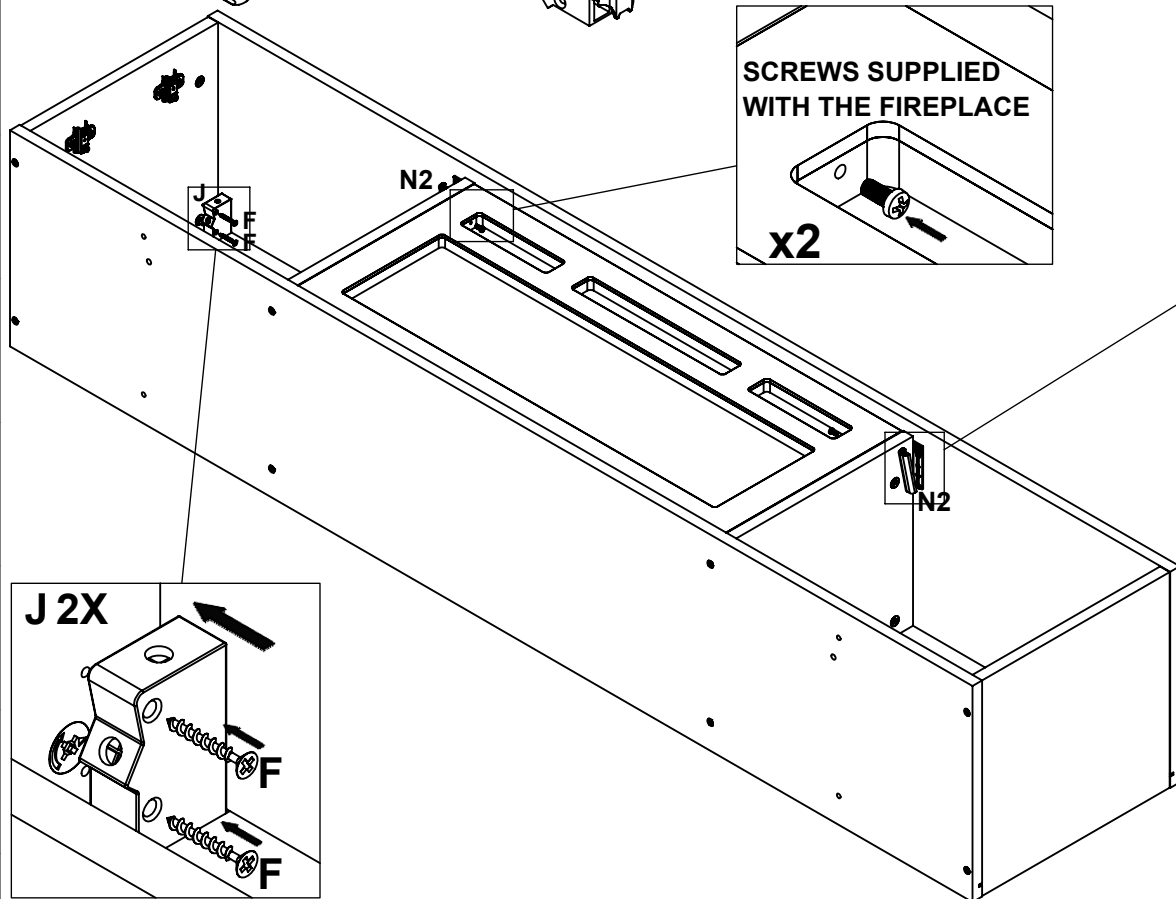
F x 4



J x 2



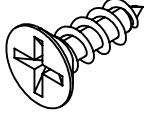
N2 x 2



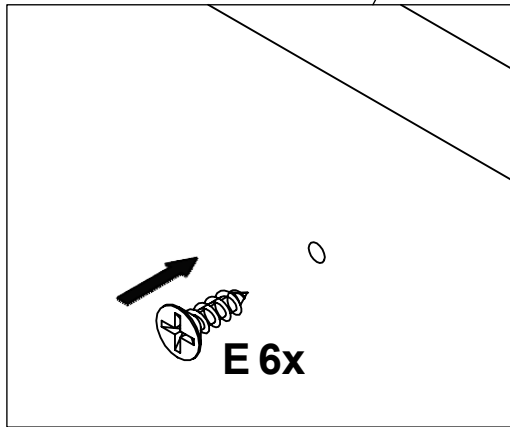
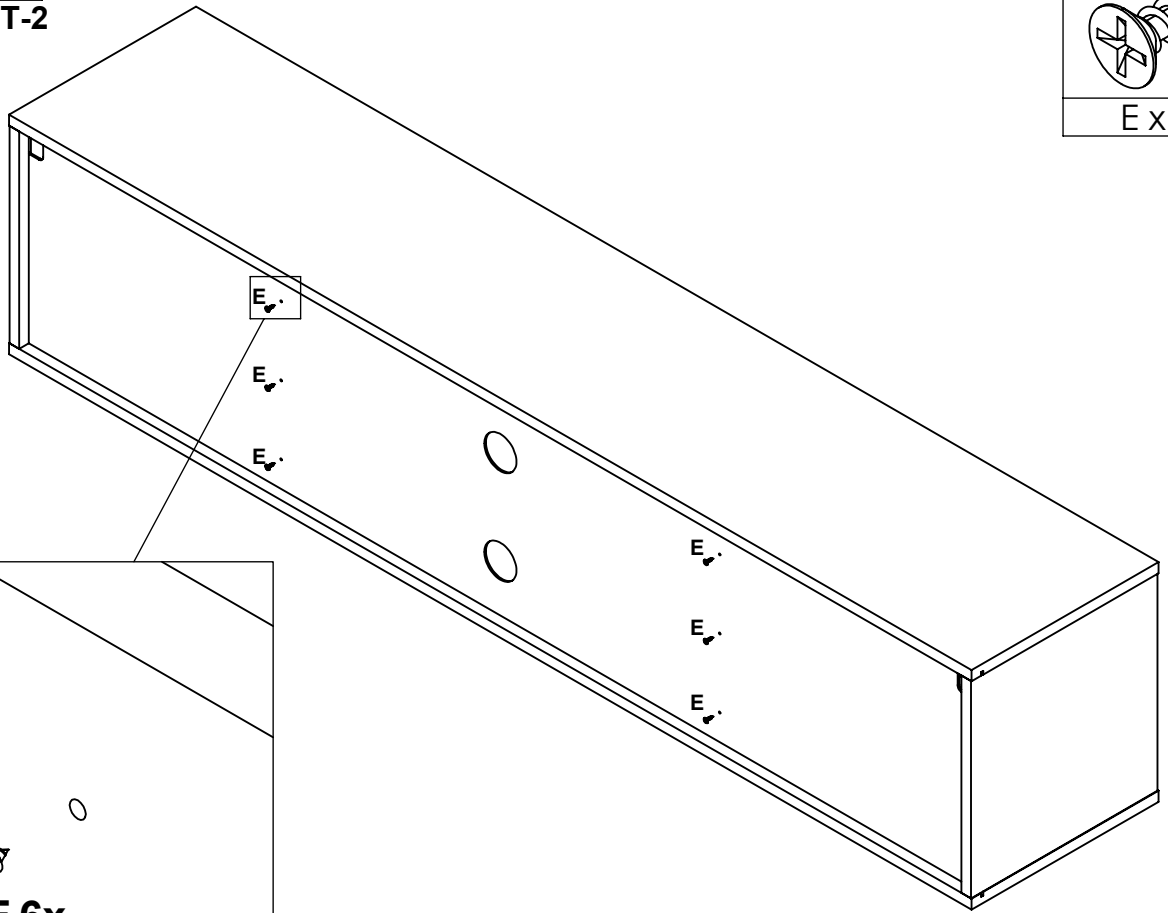
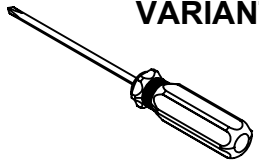
STEP - 7

VARIANT-2

2,5x16



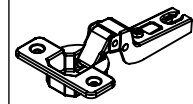
E x 6



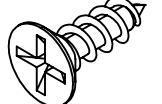
STEP - 8

VARIANT-2

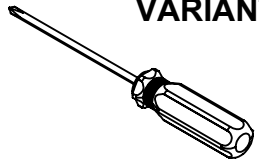
3,5x13



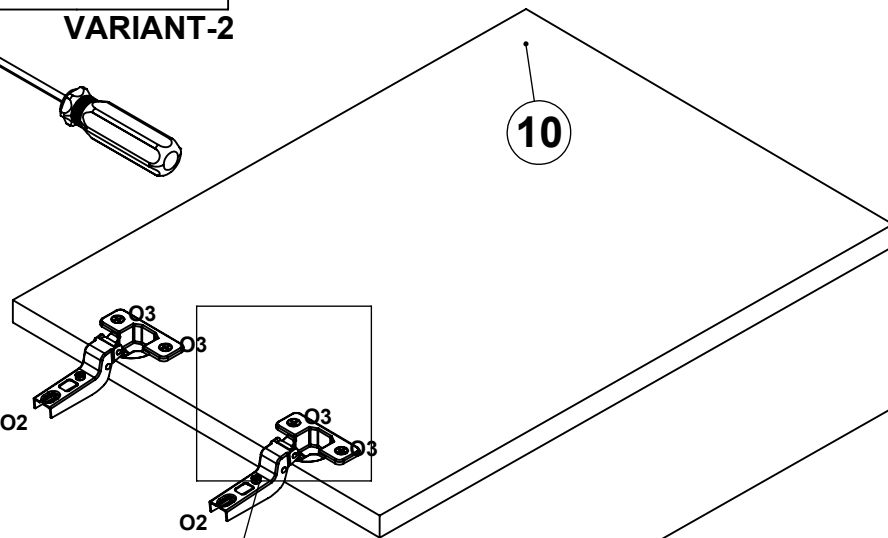
O2 x 4



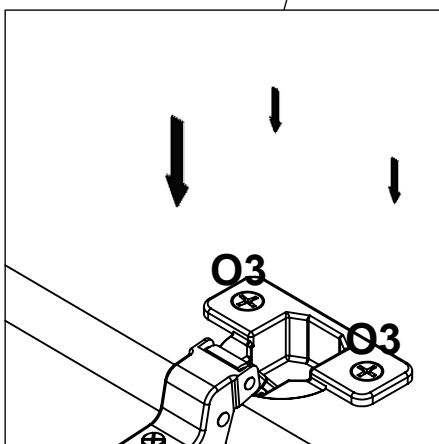
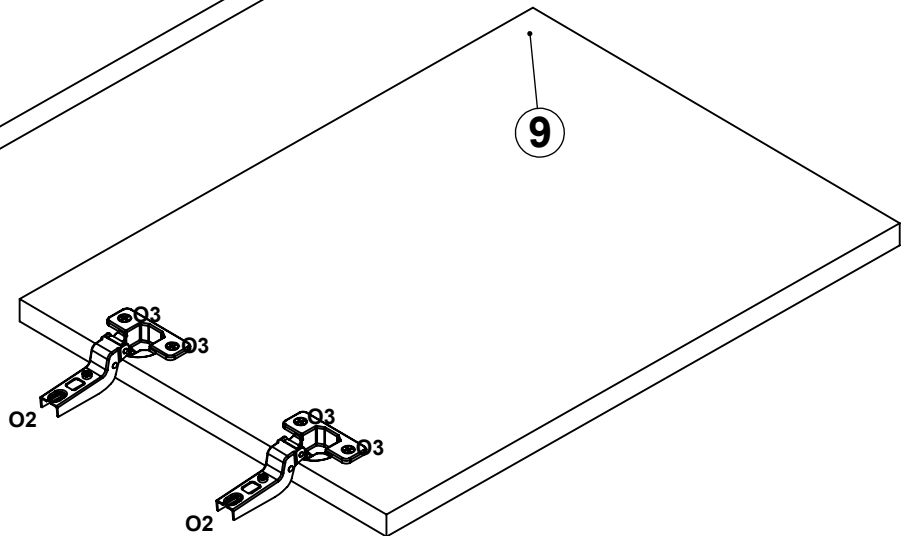
O3 x 8



10

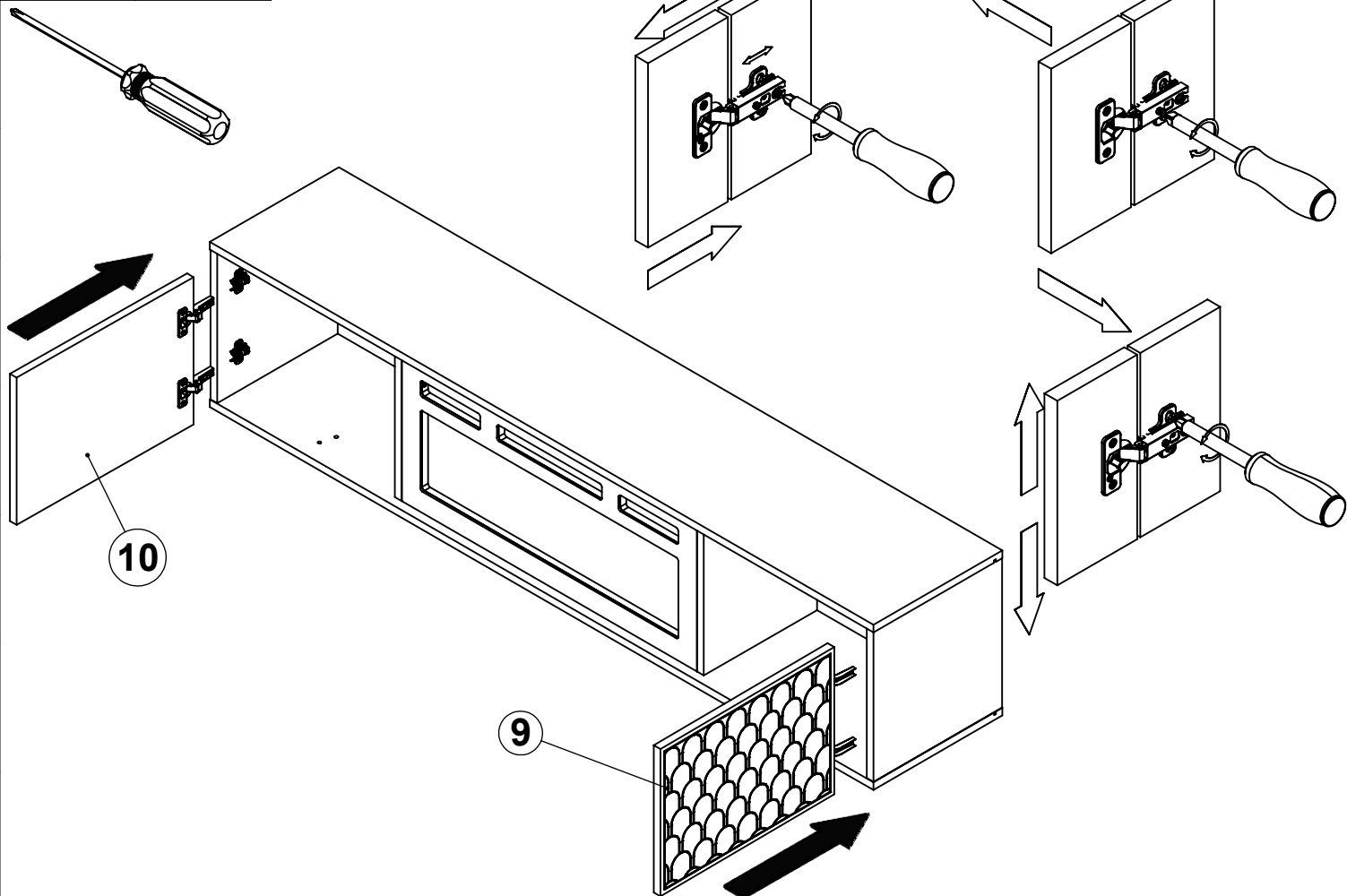


9



STEP - 9

VARIANT-2

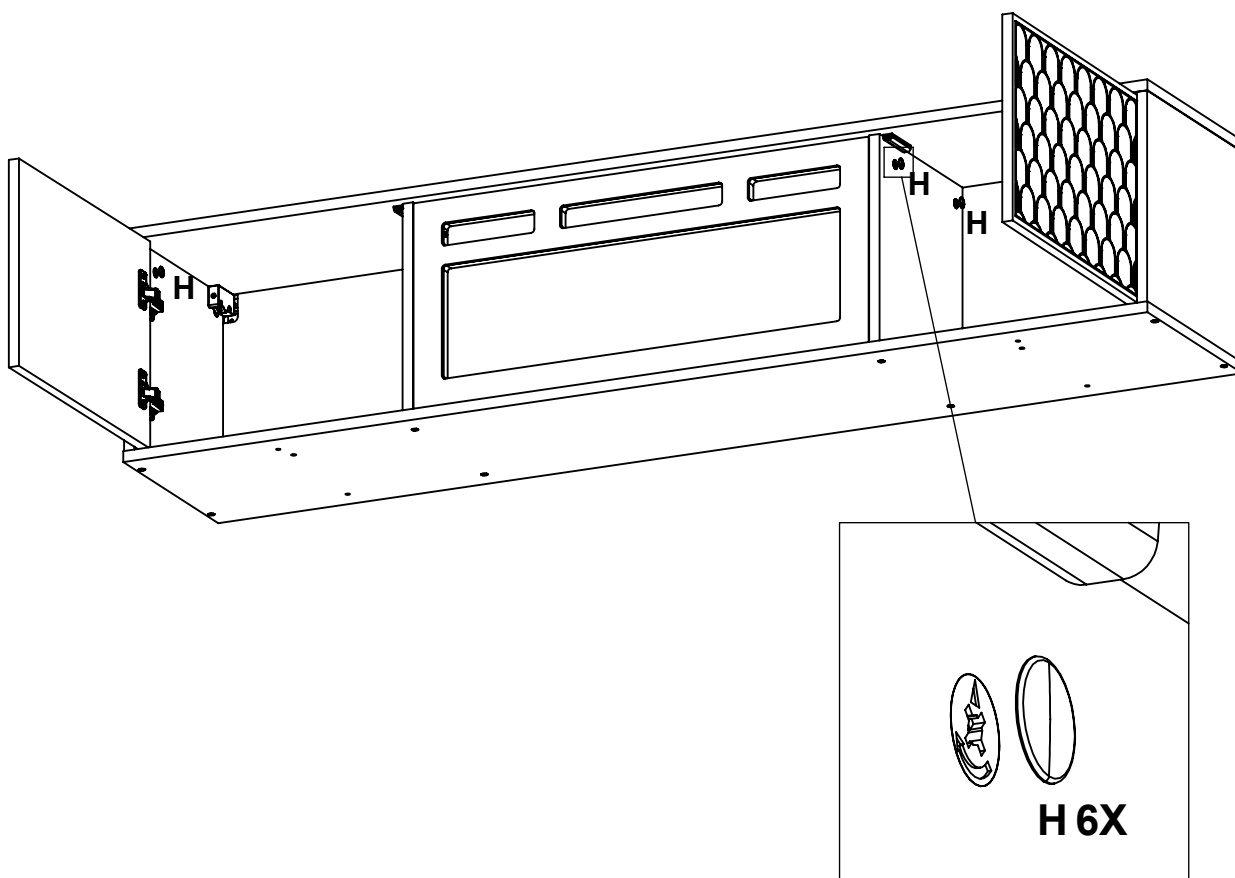


STEP - 10

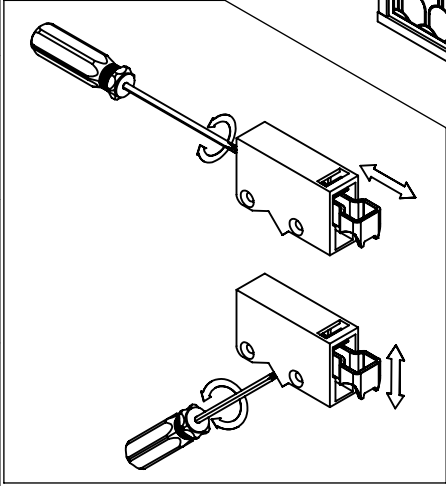
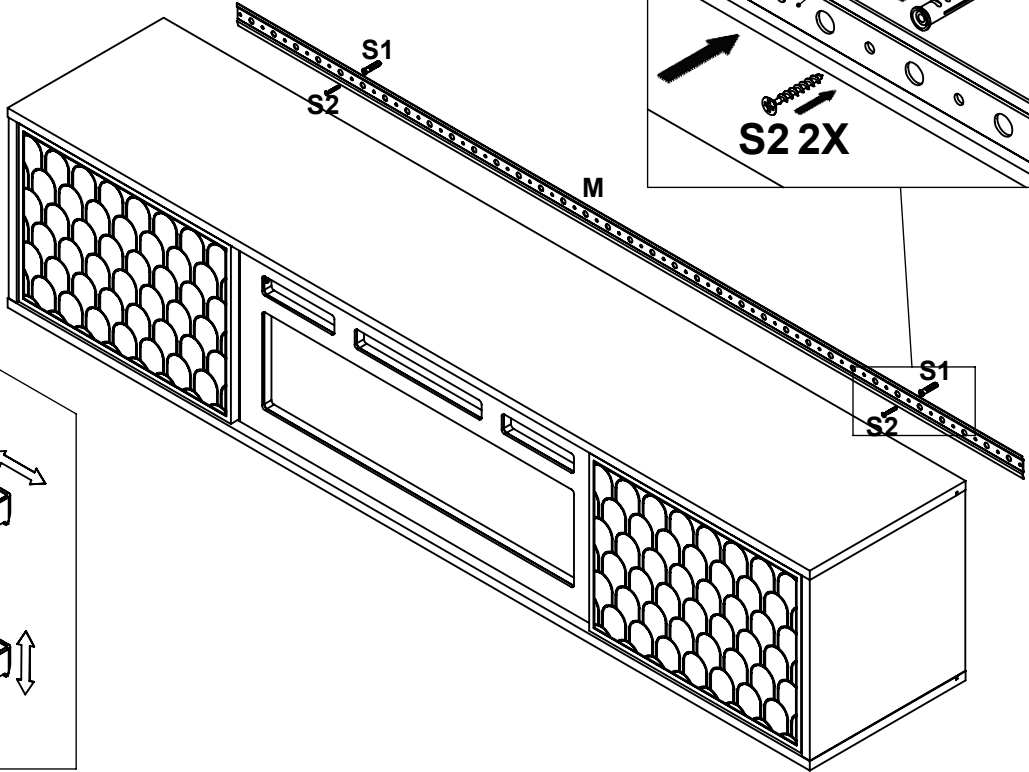
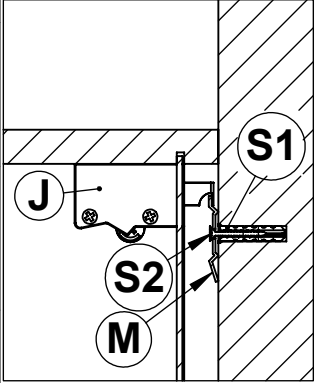
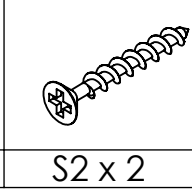
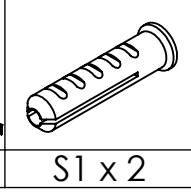
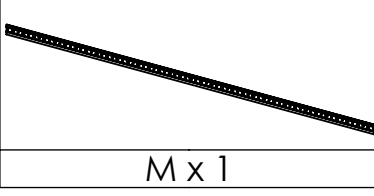
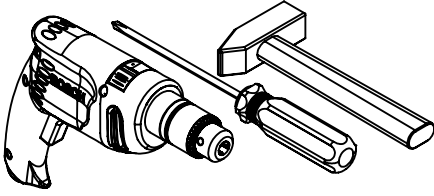
VARIANT-2



H x 6

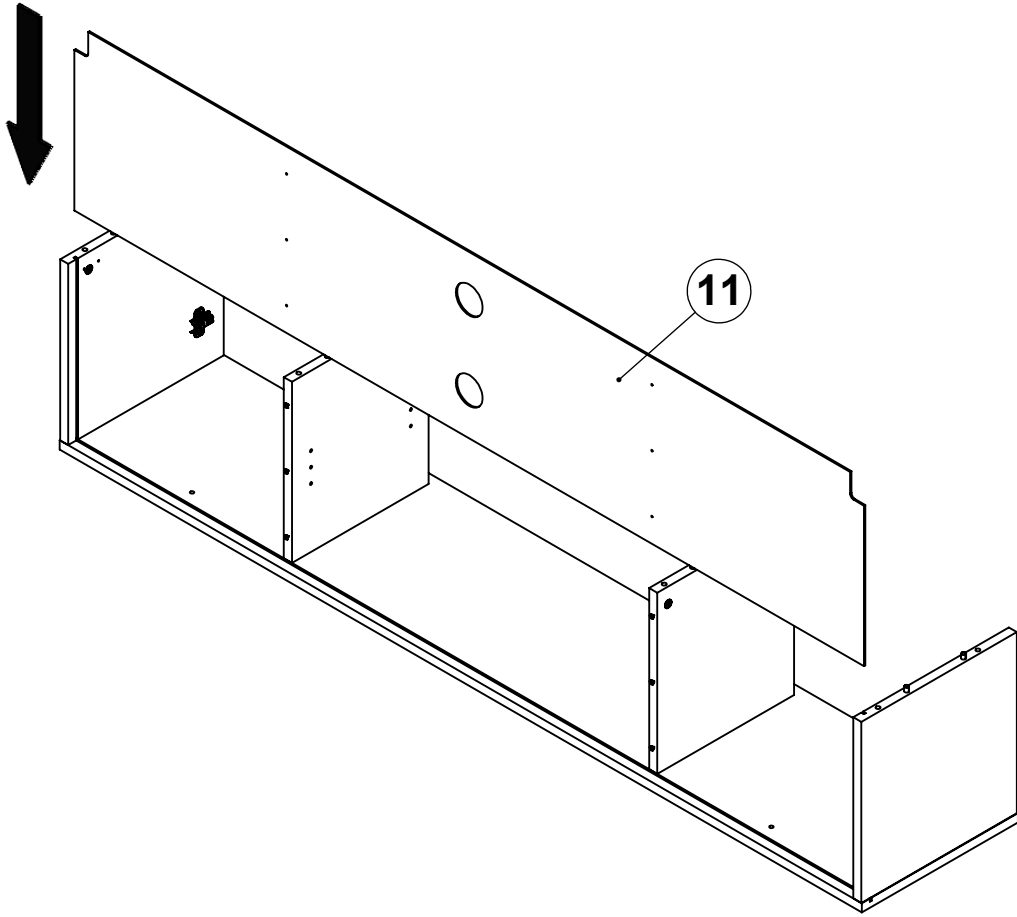


STEP - 11
VARIANT-2



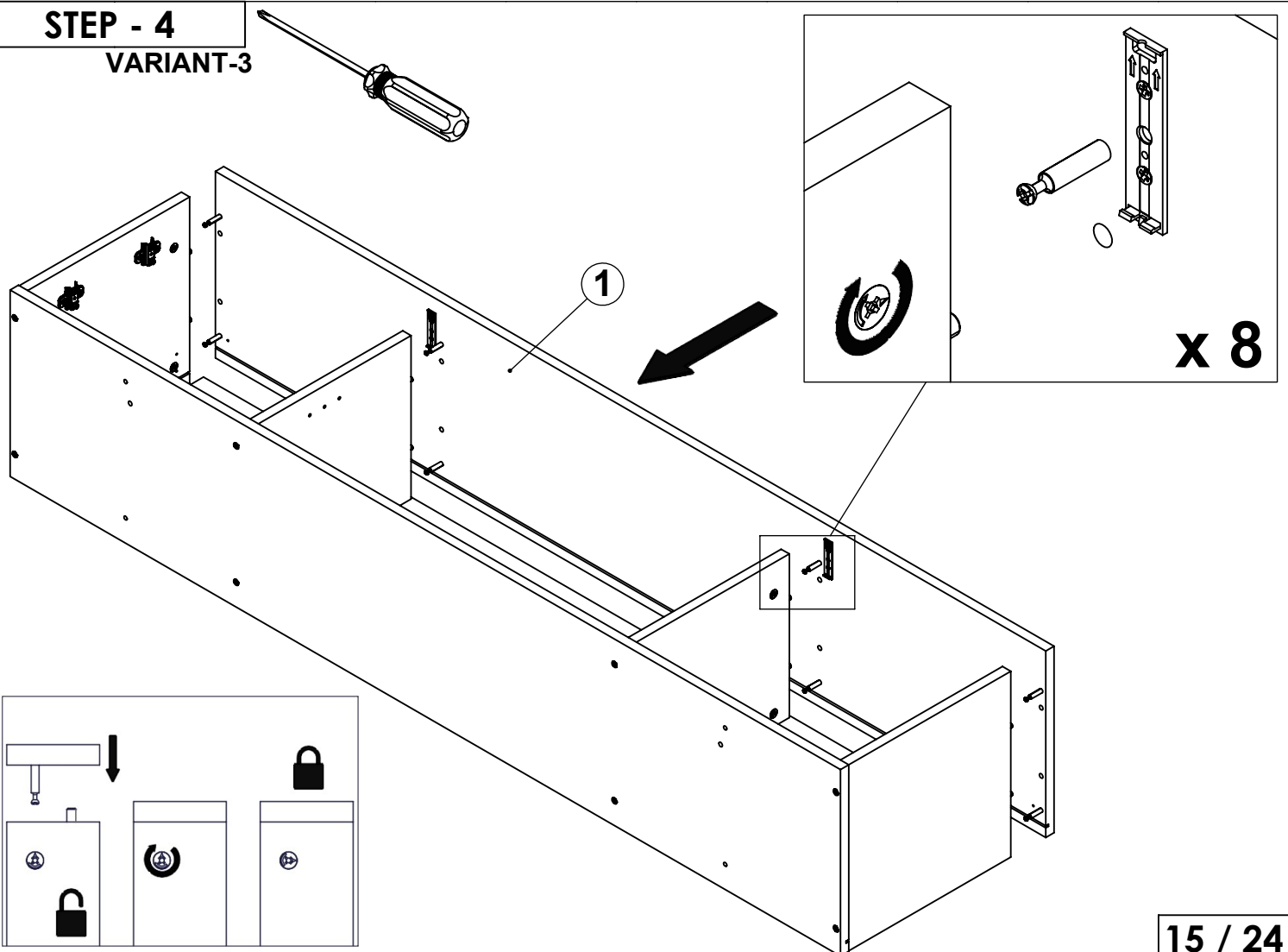
STEP - 3

VARIANT-3



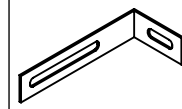
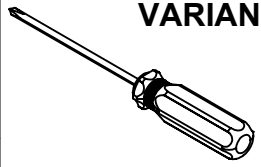
STEP - 4

VARIANT-3

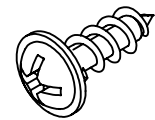


STEP - 5

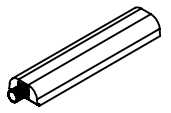
VARIANT-3



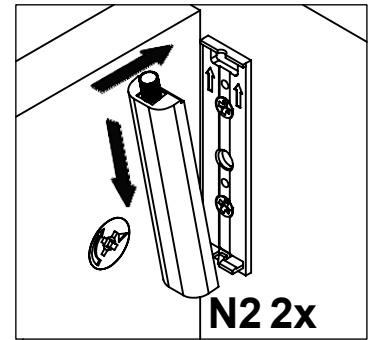
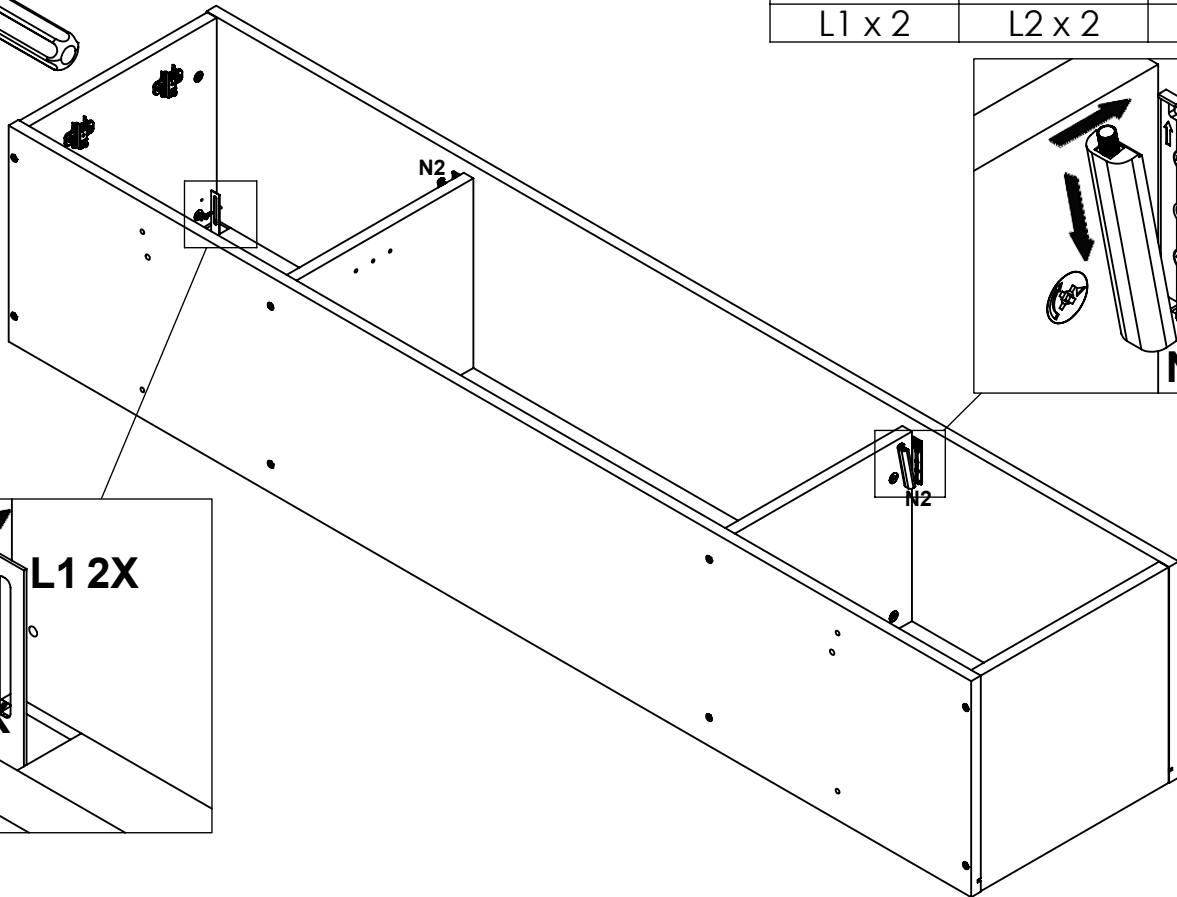
L1 x 2



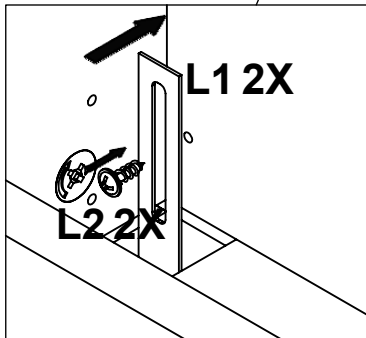
L2 x 2



N2 x 2



N2 2x

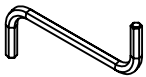


L1 2X

L2 2X

STEP - 6

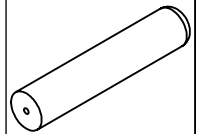
VARIANT-3



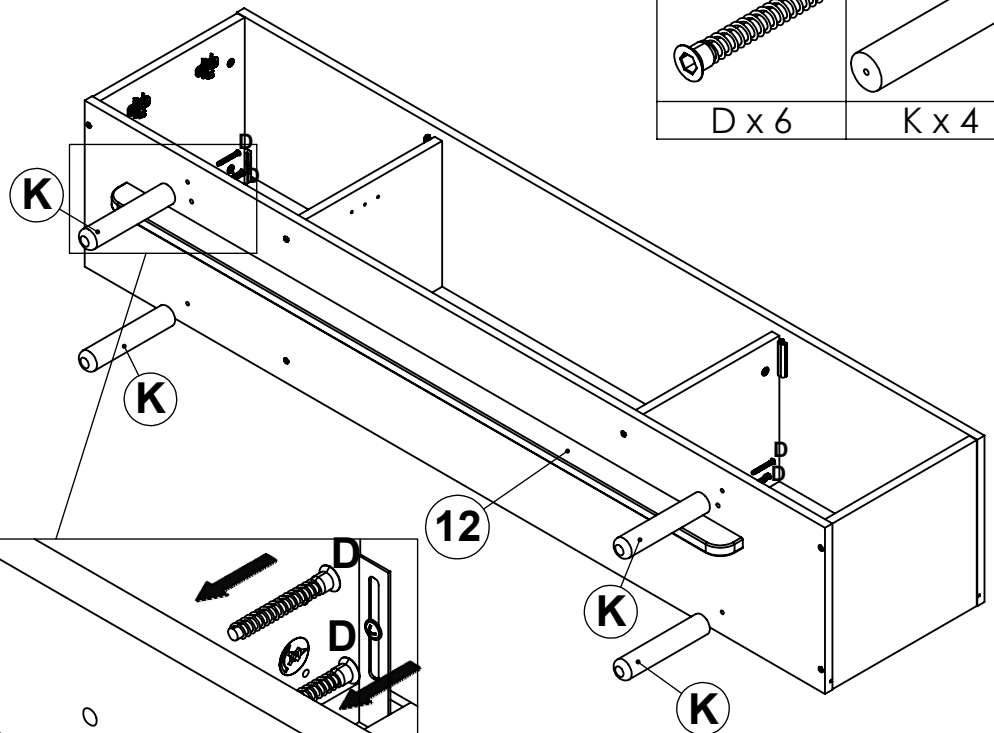
7x50



D x 6



K x 4



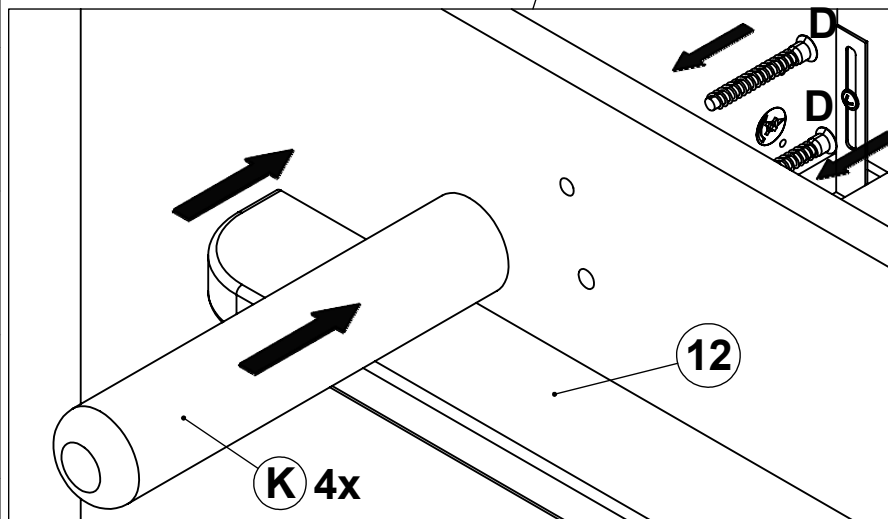
K

K

12

K

K



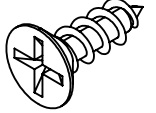
12

K 4x

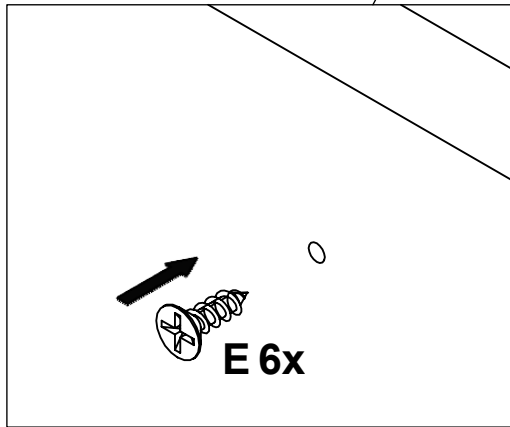
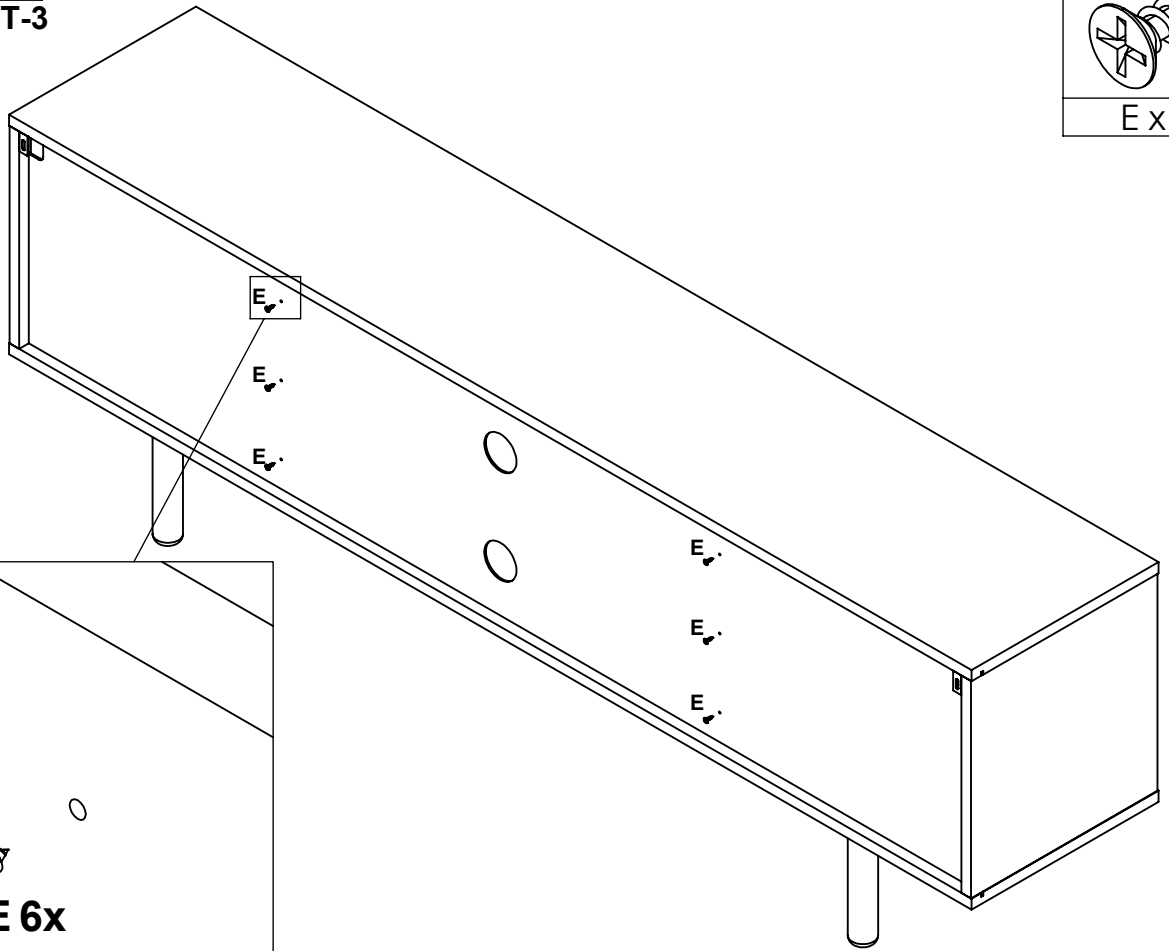
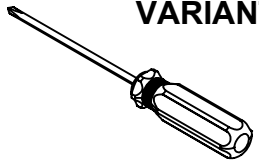
STEP - 7

VARIANT-3

2,5x16



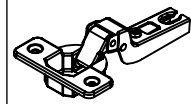
E x 6



STEP - 8

VARIANT-3

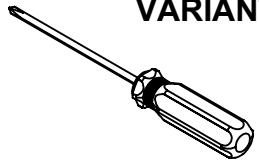
3,5x13



O2 x 4

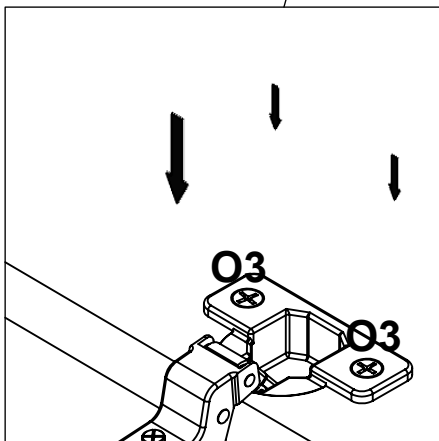
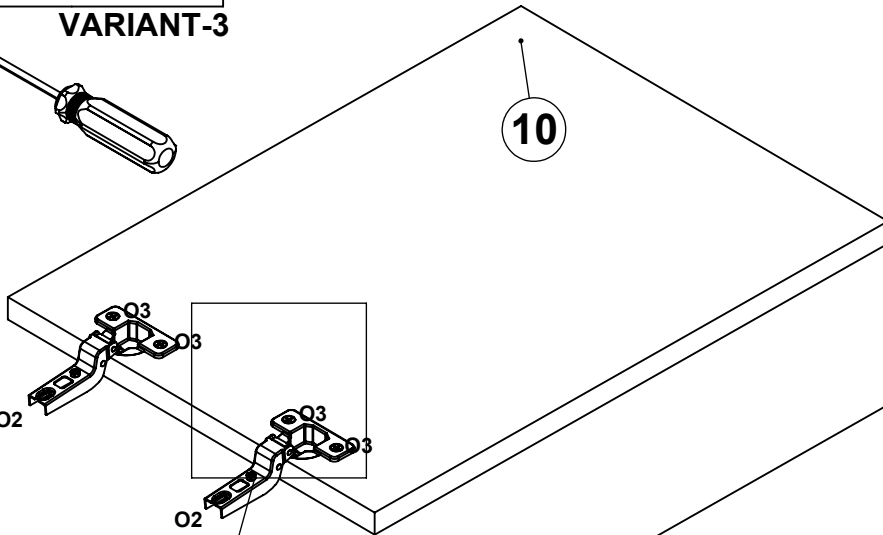


O3 x 8



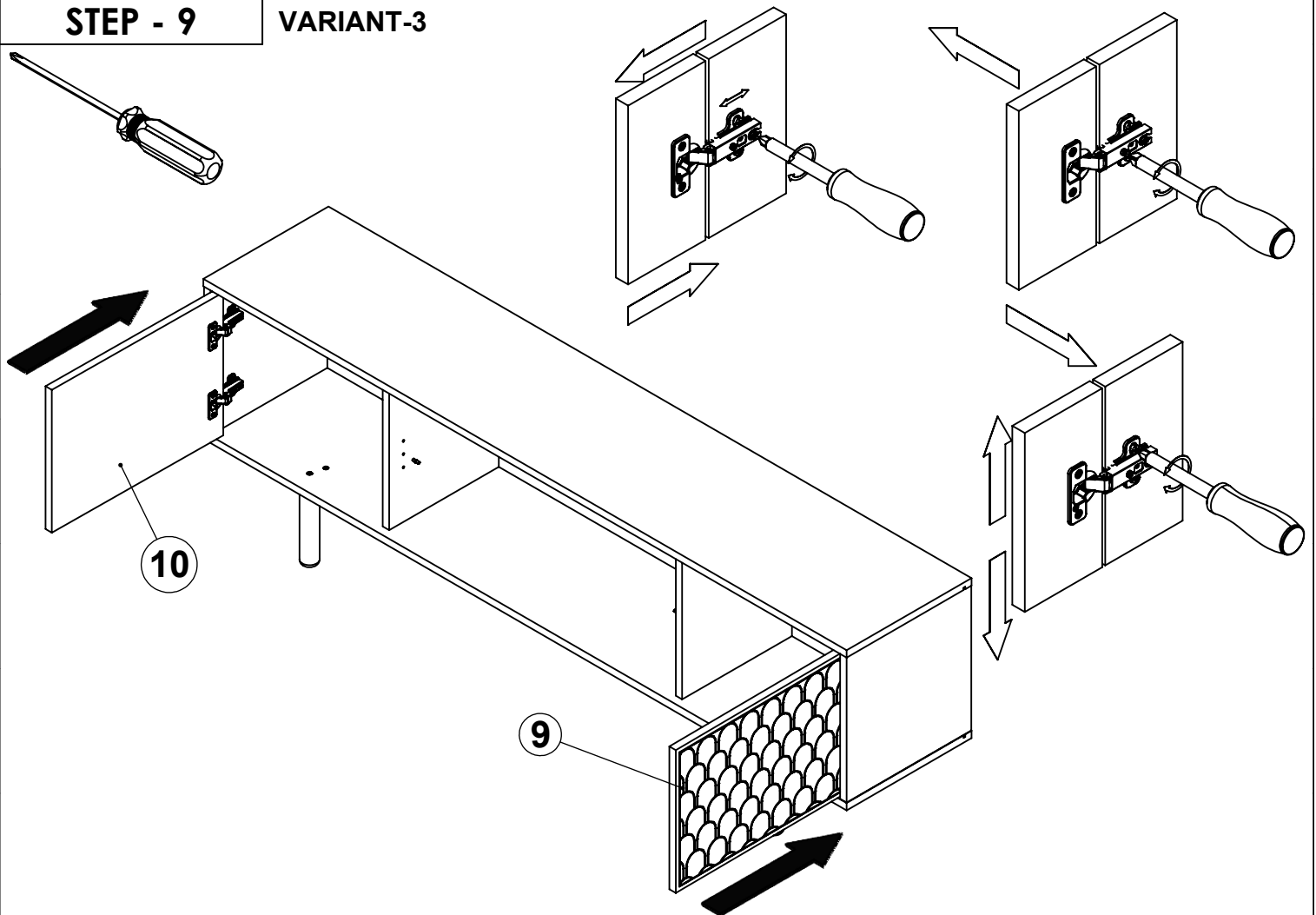
10

9



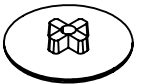
STEP - 9

VARIANT-3

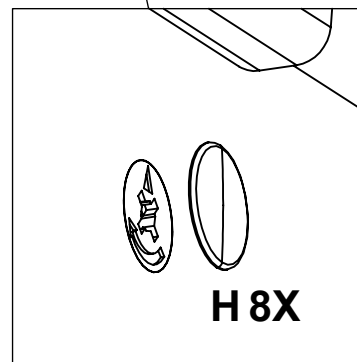
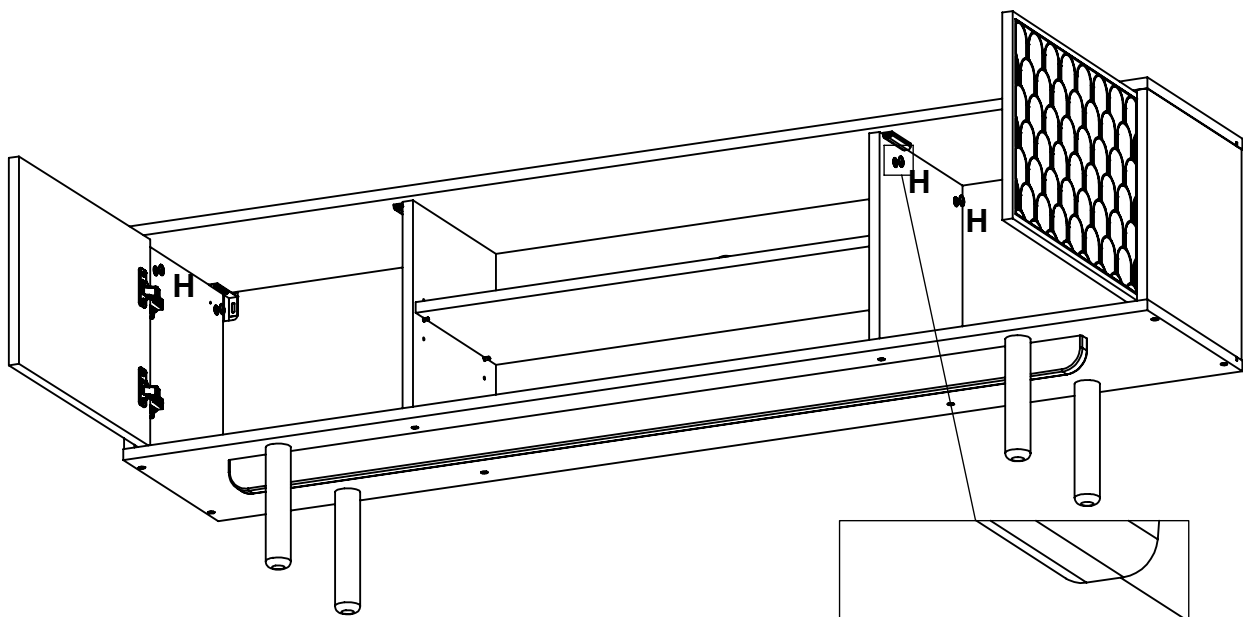


STEP - 10

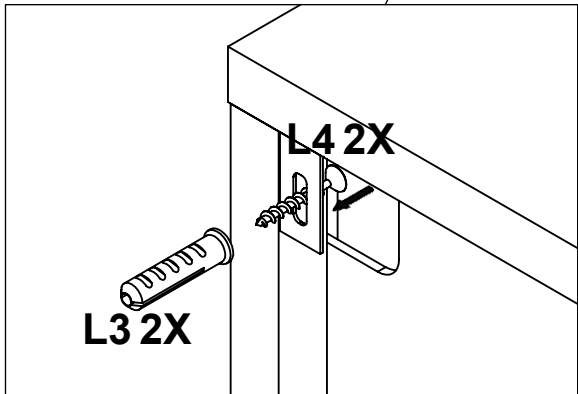
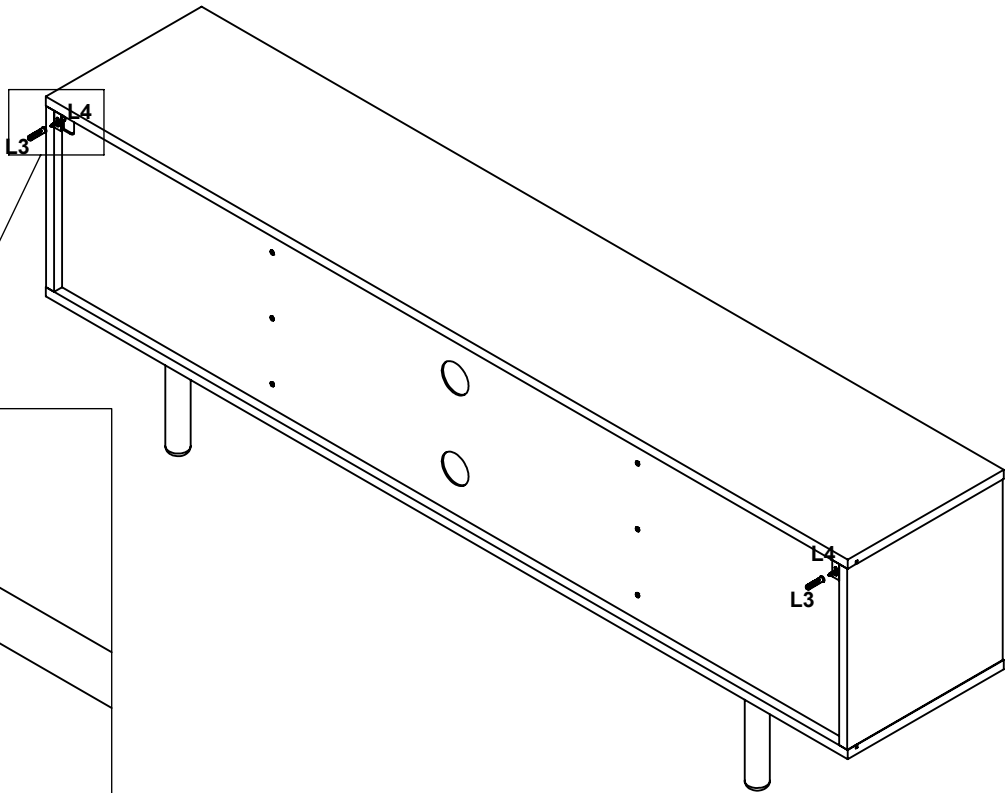
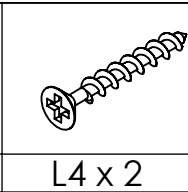
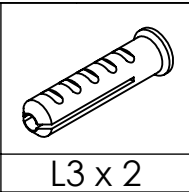
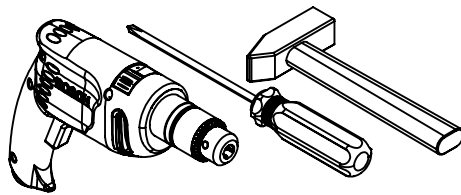
VARIANT-3



H x 8

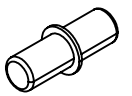
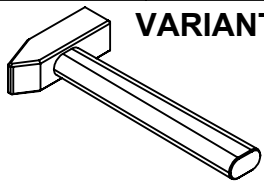


STEP - 11
VARIANT-3

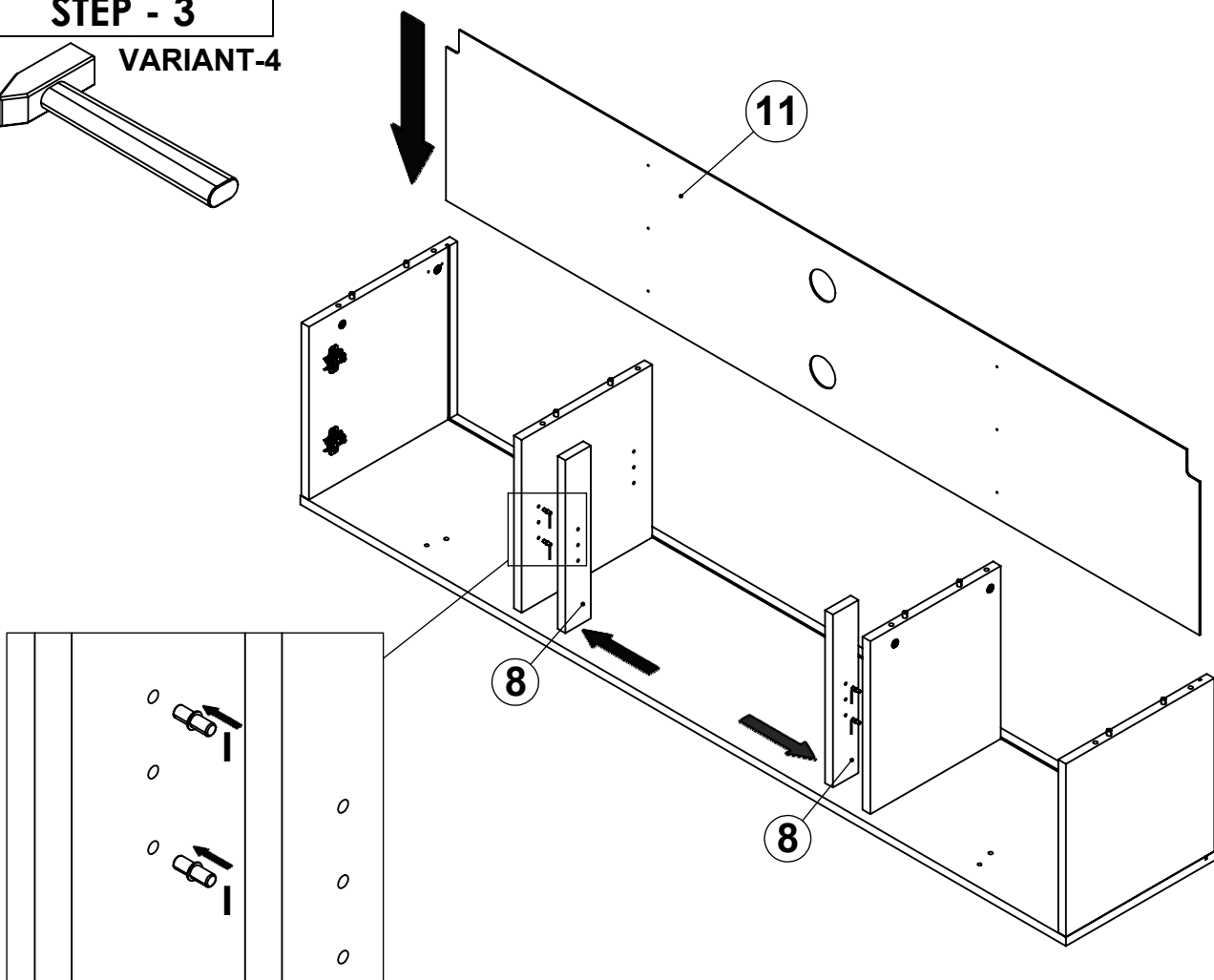


STEP - 3

VARIANT-4



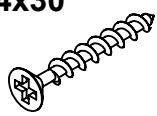
1 x 4



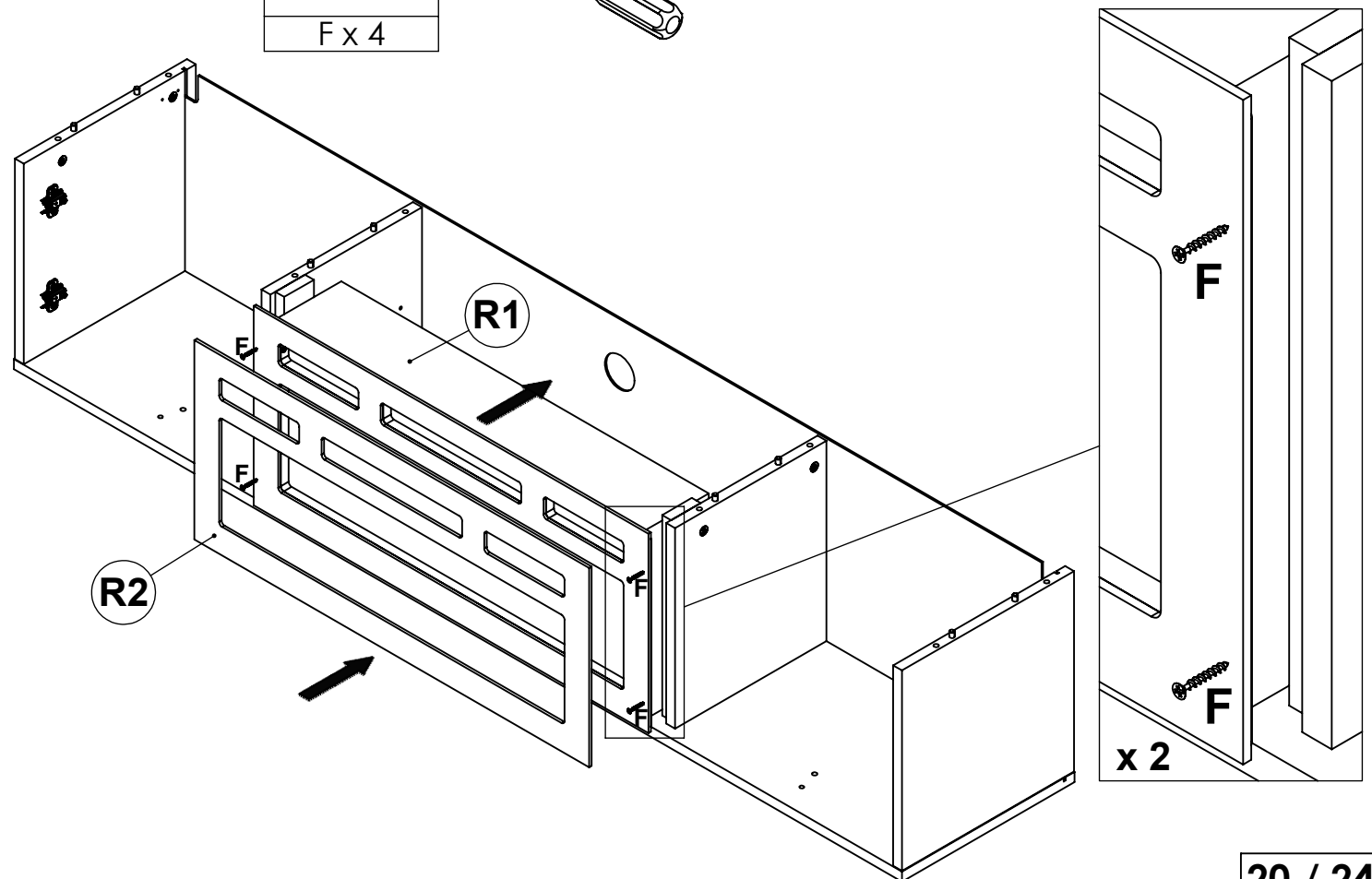
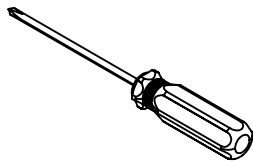
STEP - 4

VARIANT-4

4x30



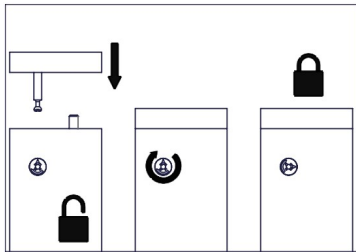
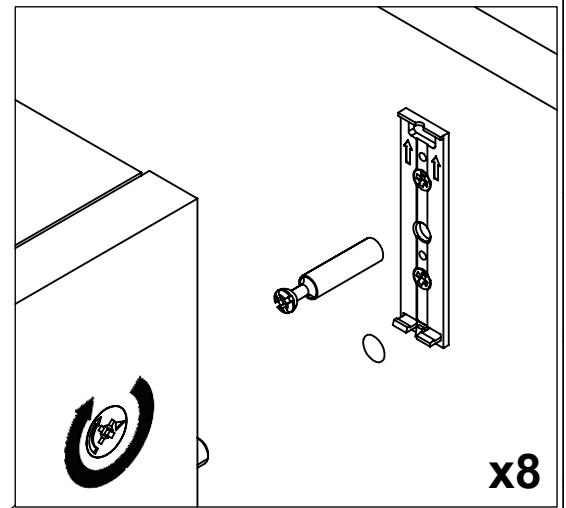
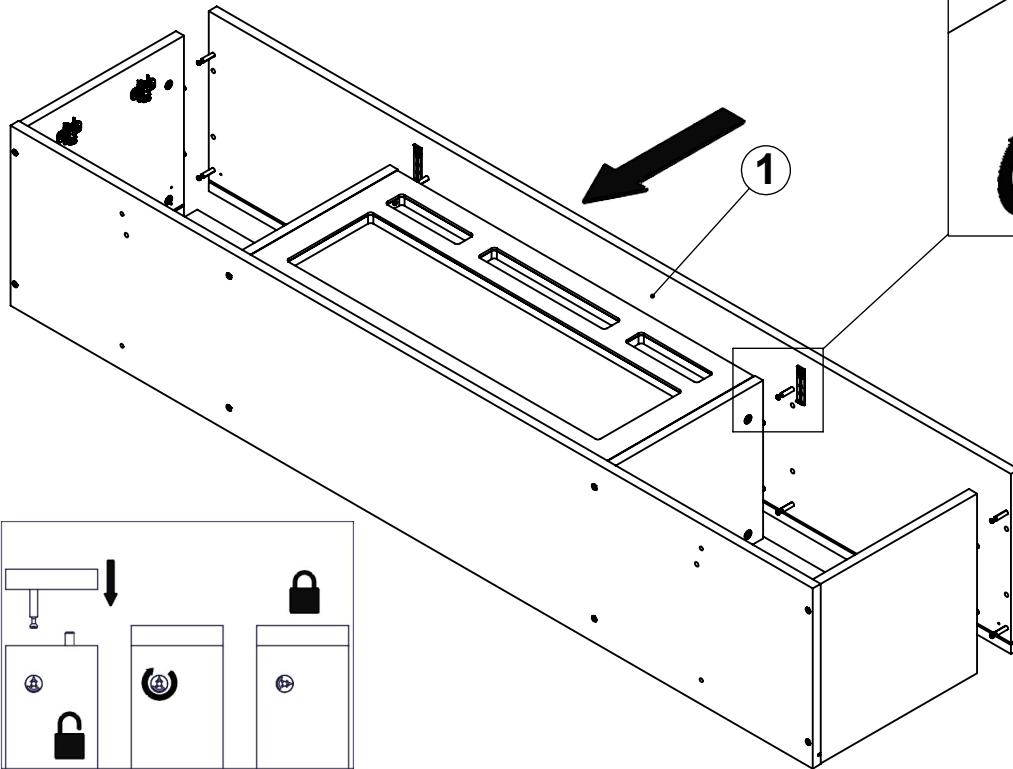
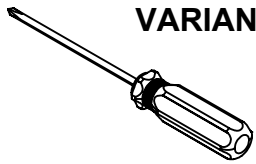
F x 4



x 2

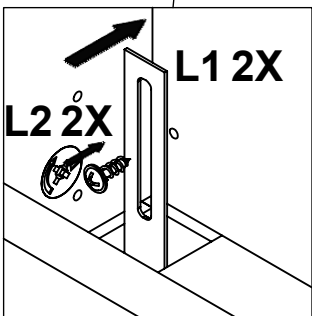
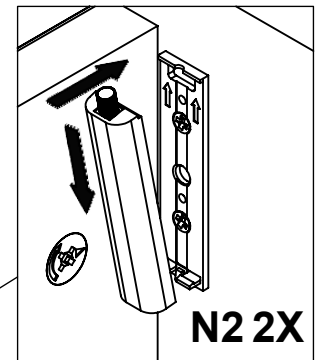
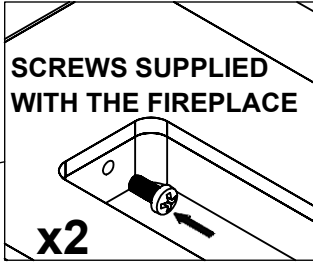
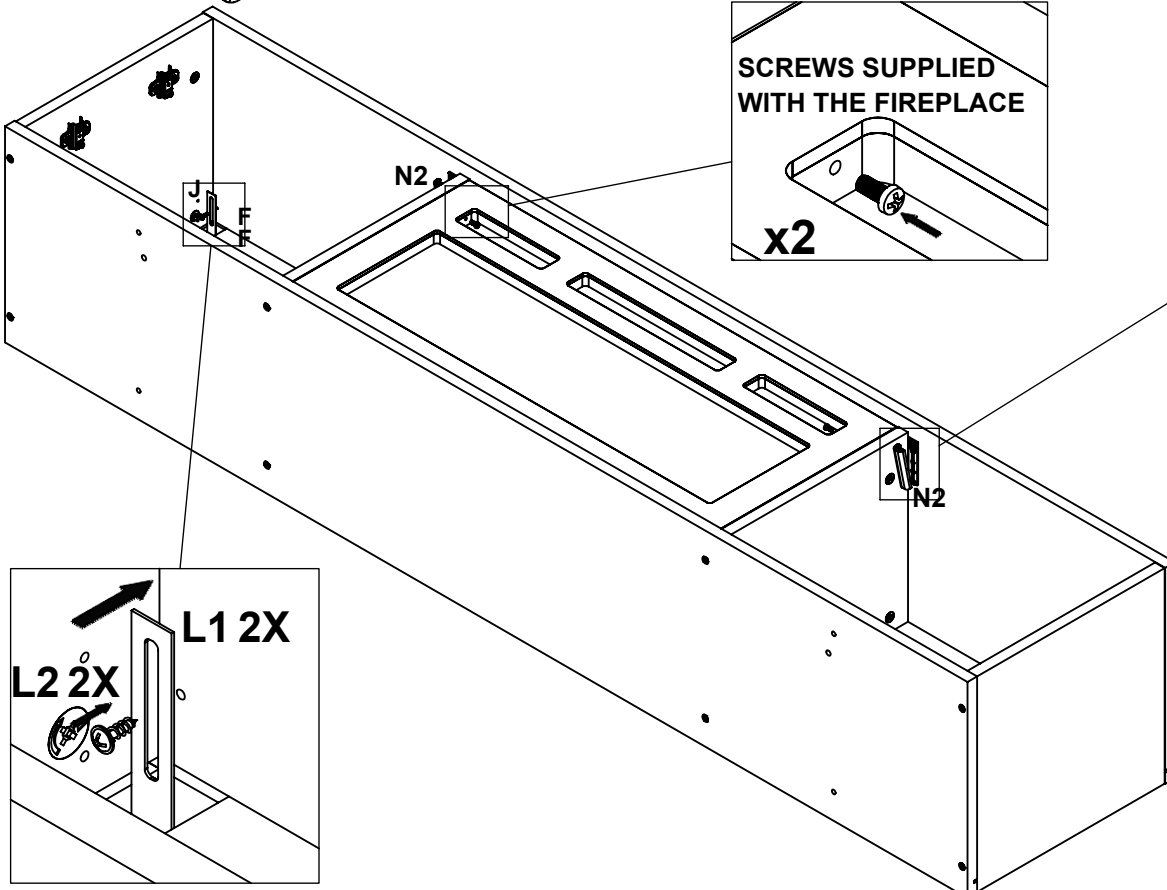
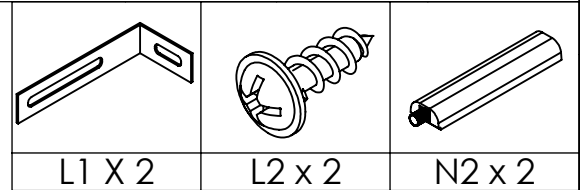
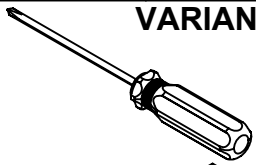
STEP - 5

VARIANT-4



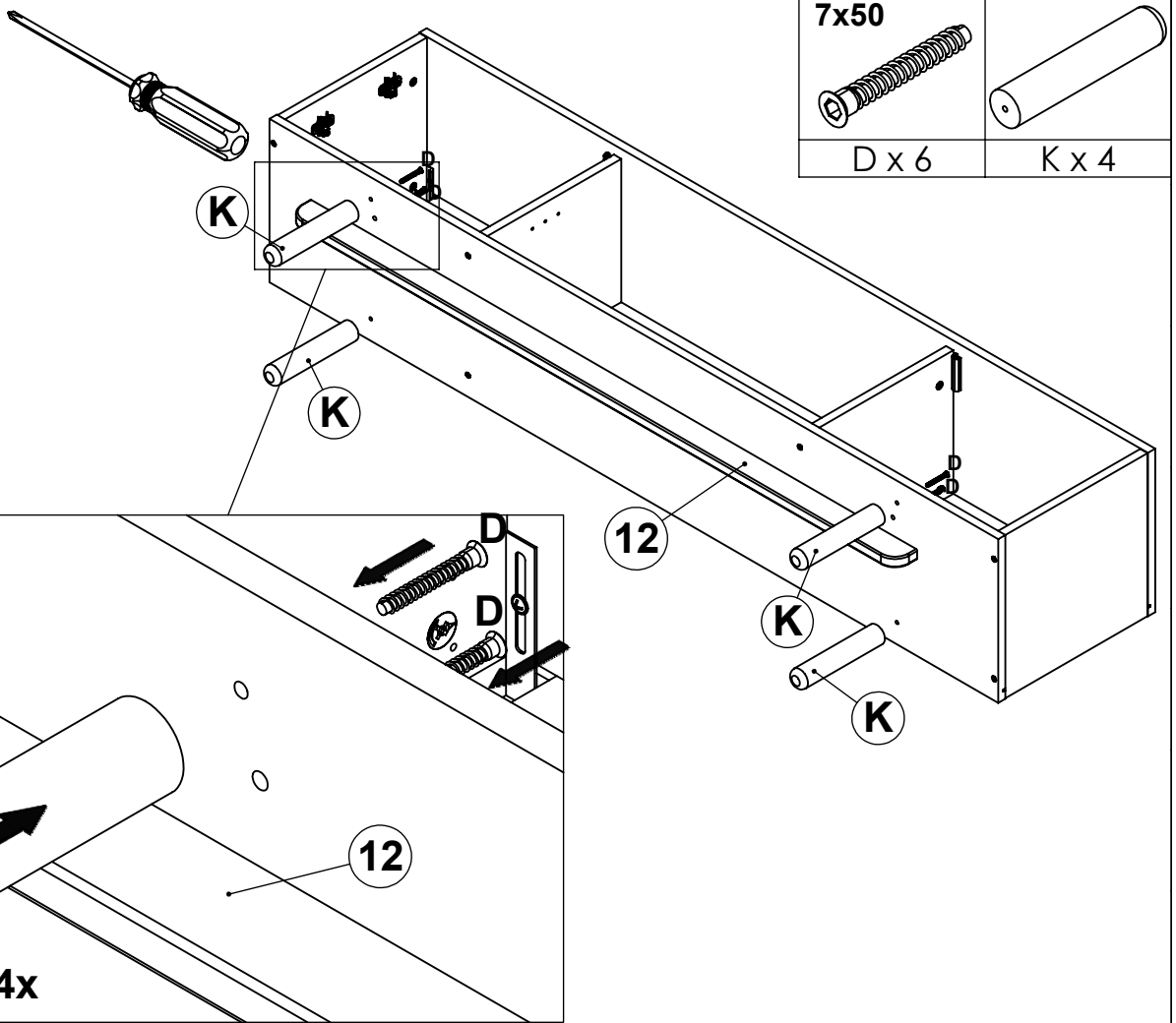
STEP - 6

VARIANT-4



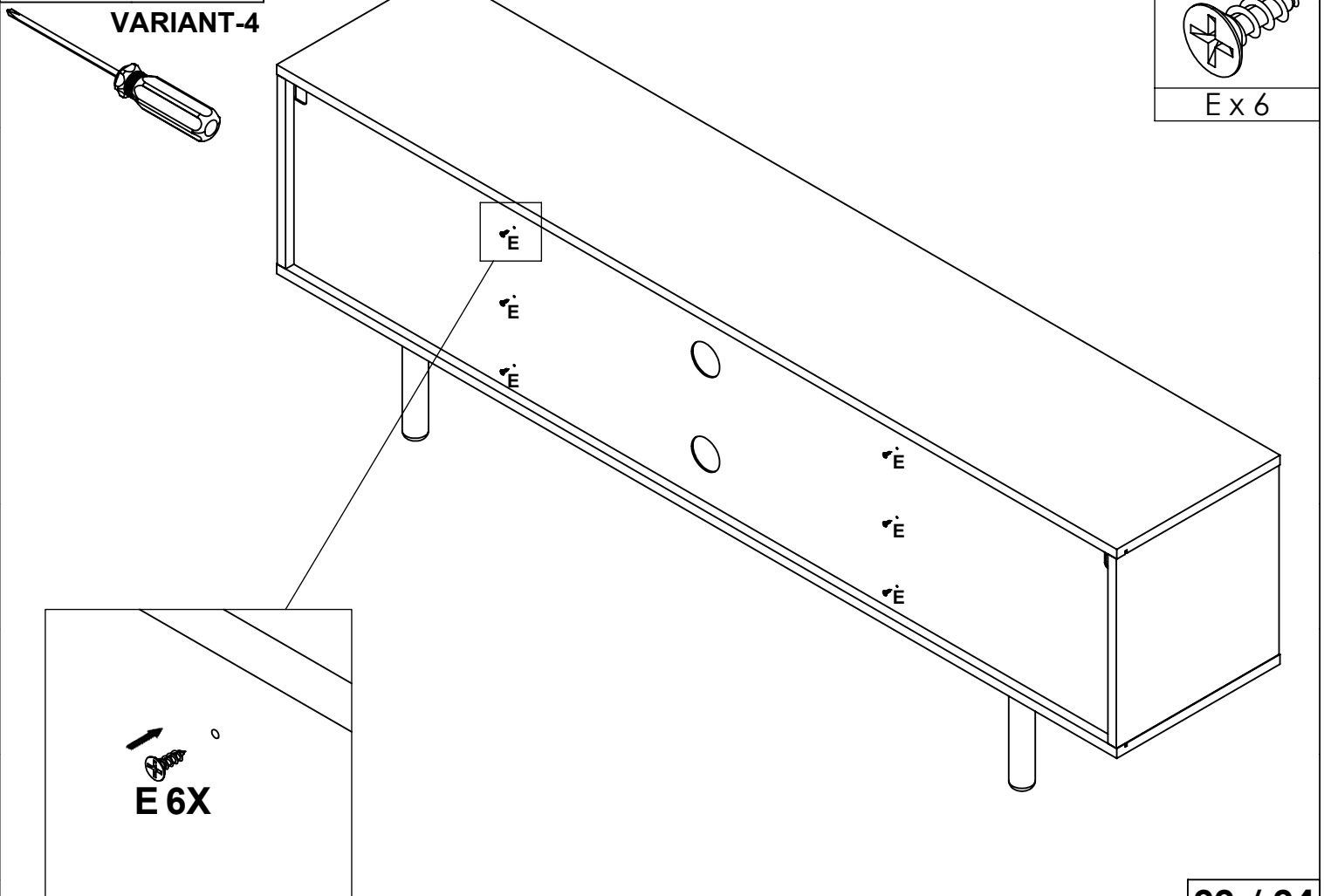
STEP - 7

VARIANT-4



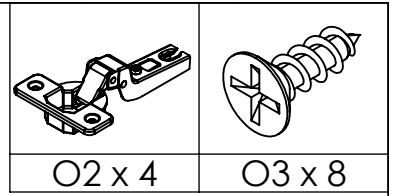
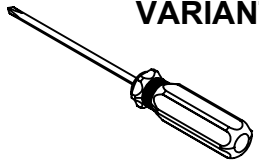
STEP - 8

VARIANT-4



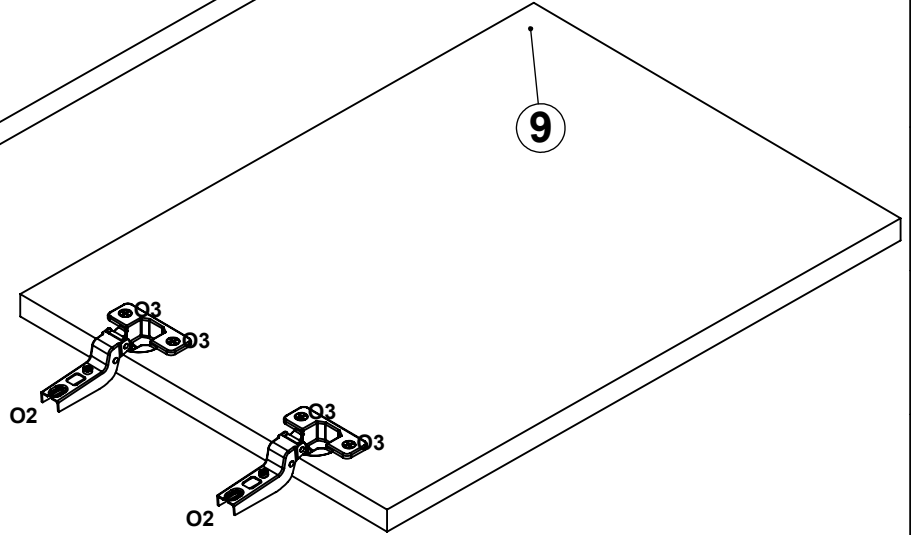
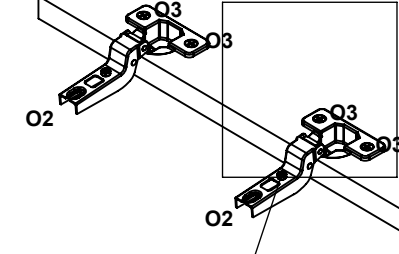
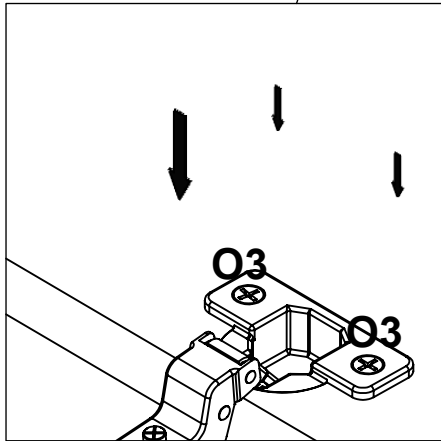
STEP - 9

VARIANT-4



10

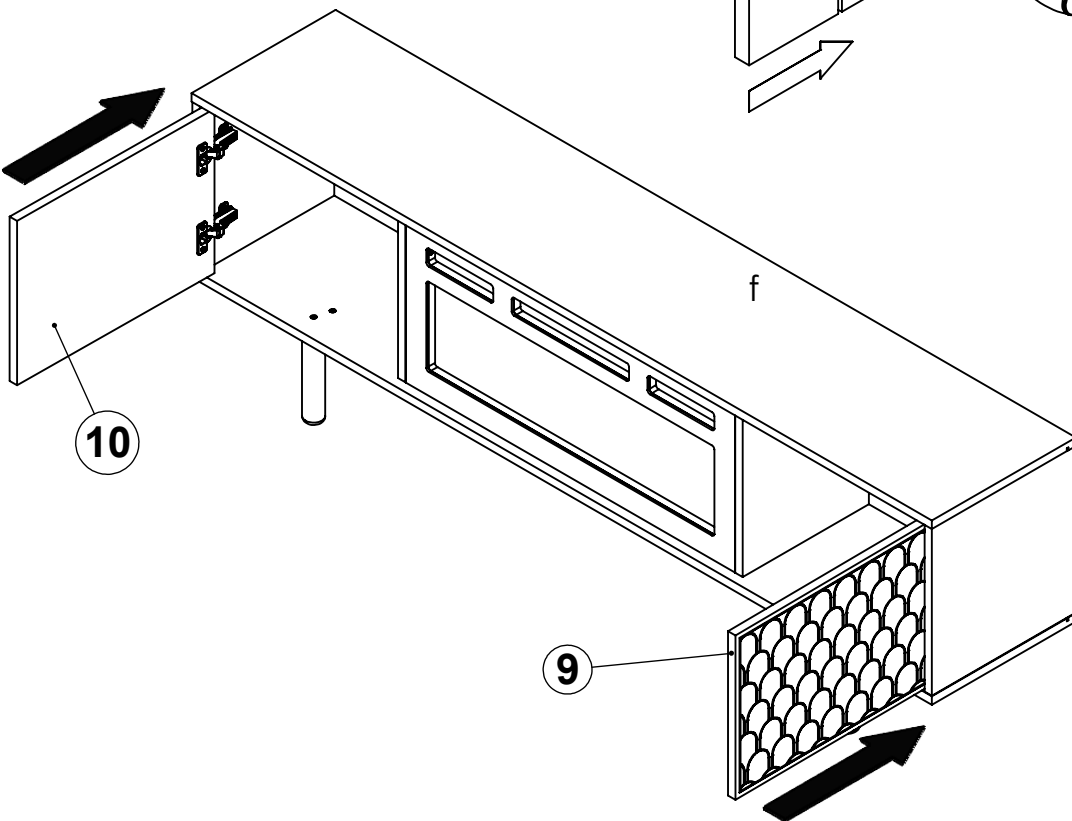
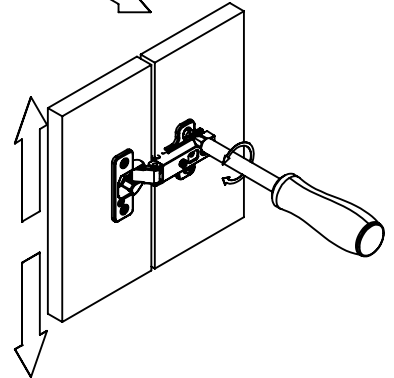
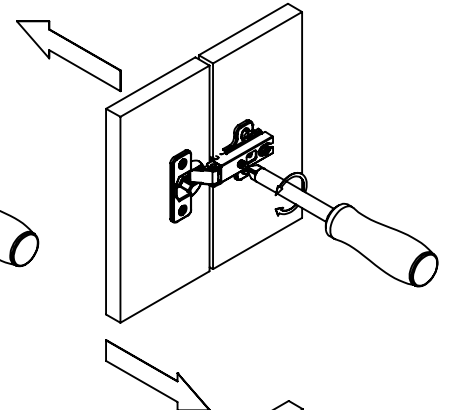
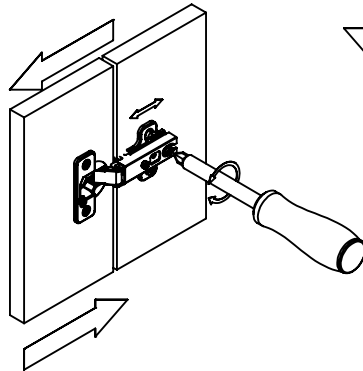
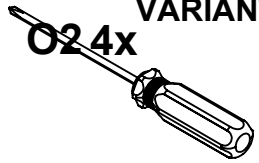
9



STEP - 10

VARIANT-4

O24x



10

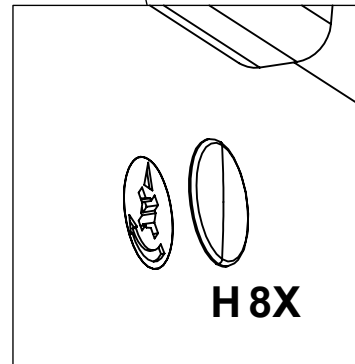
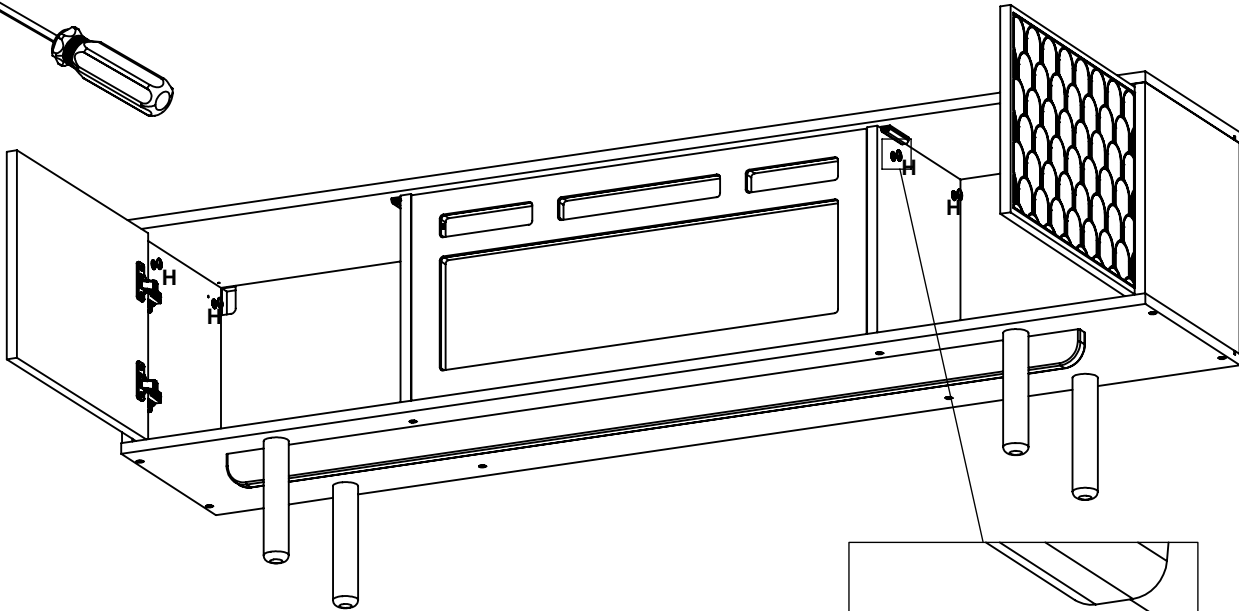
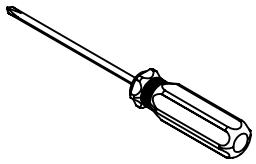
9

STEP - 11

VARIANT-4

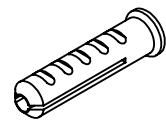
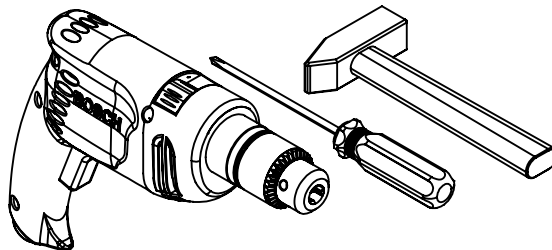


H x 8

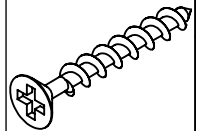


STEP - 12

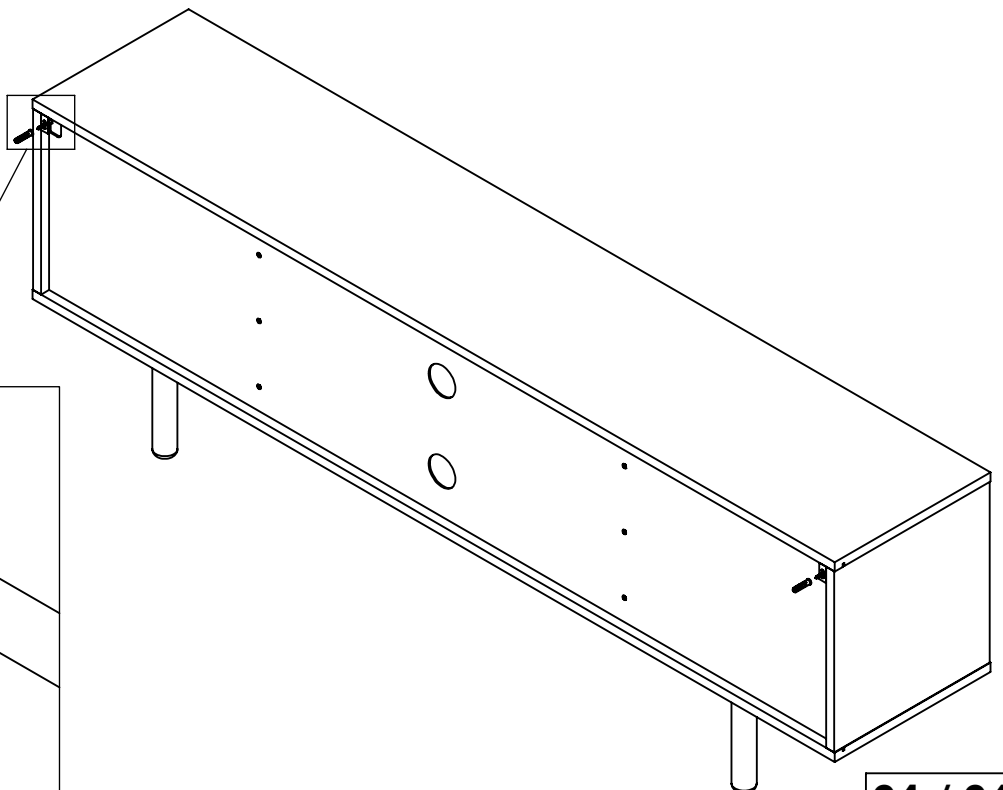
VARIANT-4



L3 x 2



L4 x 2



L3 2X

L4 2X