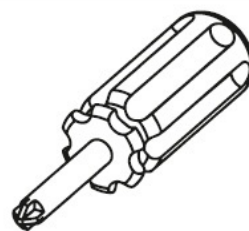
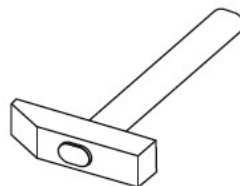
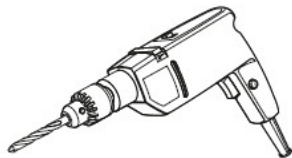
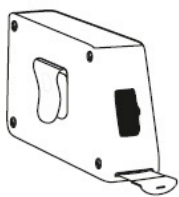
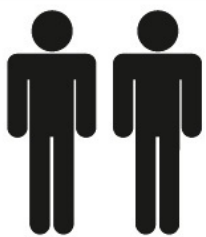


ROSE

ROSE05

0P-123



400mm/15,74in

500mm/19,68in

522mm/20,55in

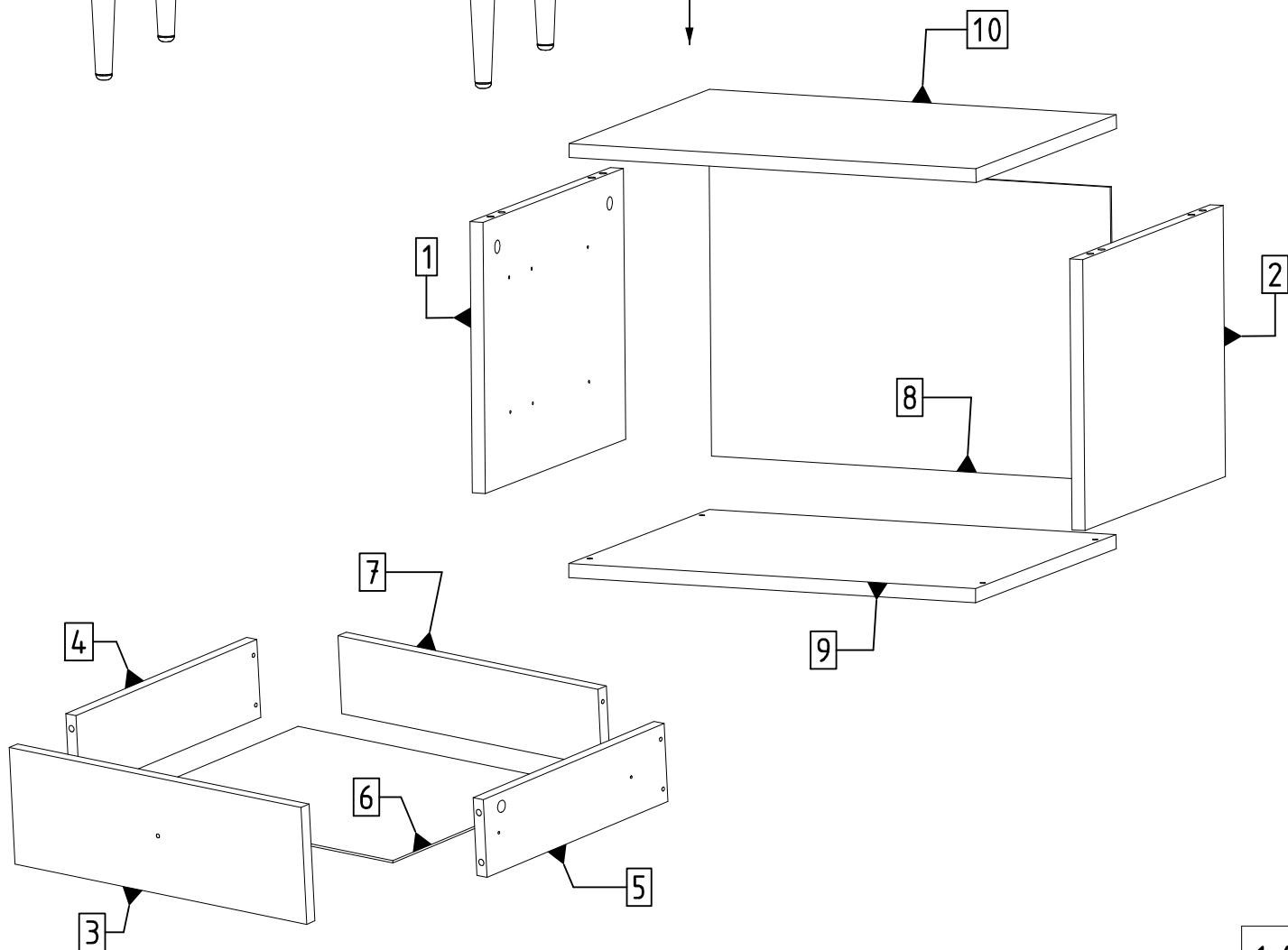
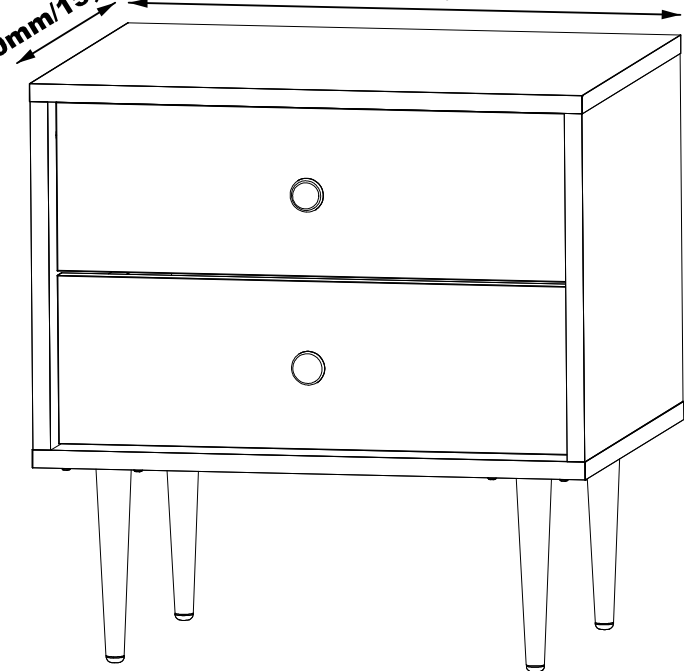
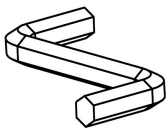
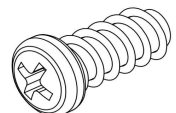
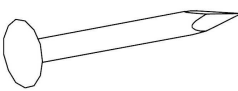
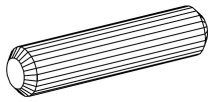
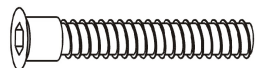

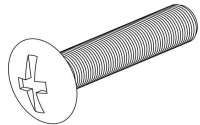

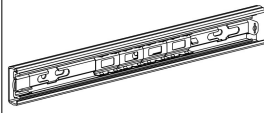

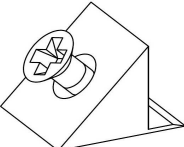
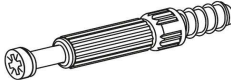

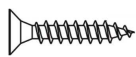
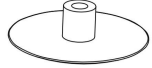


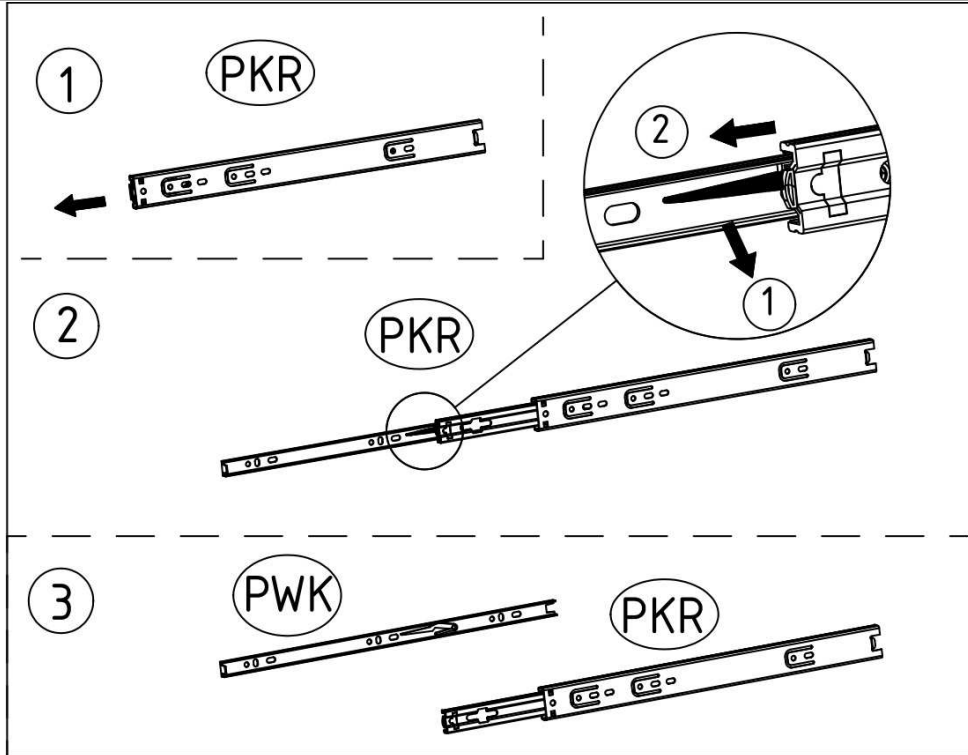
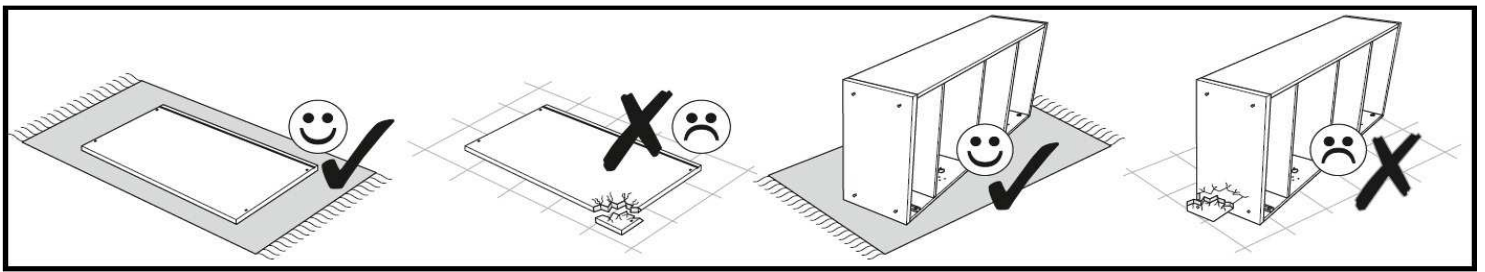
Table accessories

ROSE05

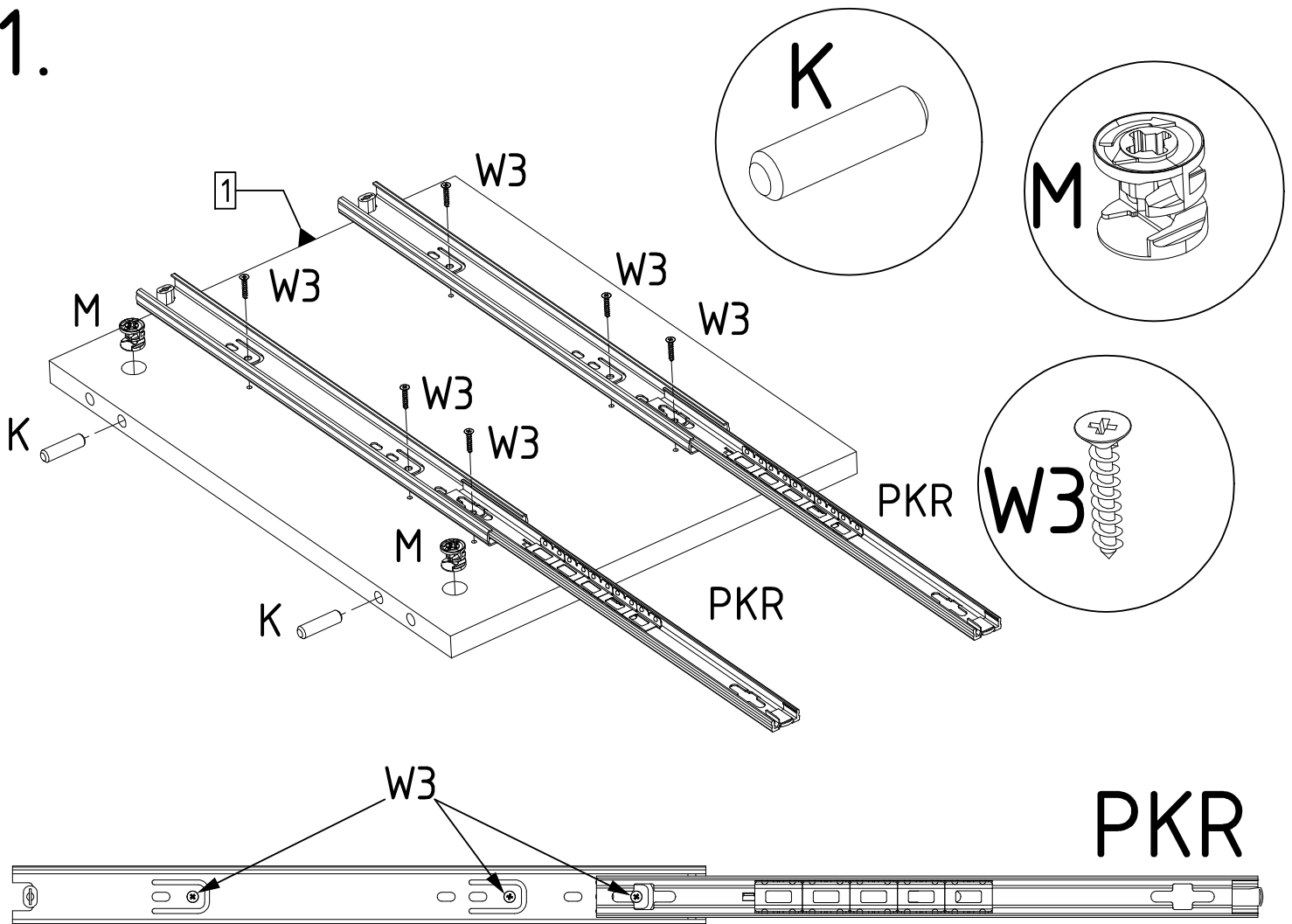
 A1	6,3 X 13  E13	 G	8 x 30  K	6,3 X 50  KN
15 x 12  M	4X22  M22	h = 200mm  NS	L350  PKR	L350  PWK
 ST	6 x 34 mm  T	 UG2	3 x 16mm  W3	 Z

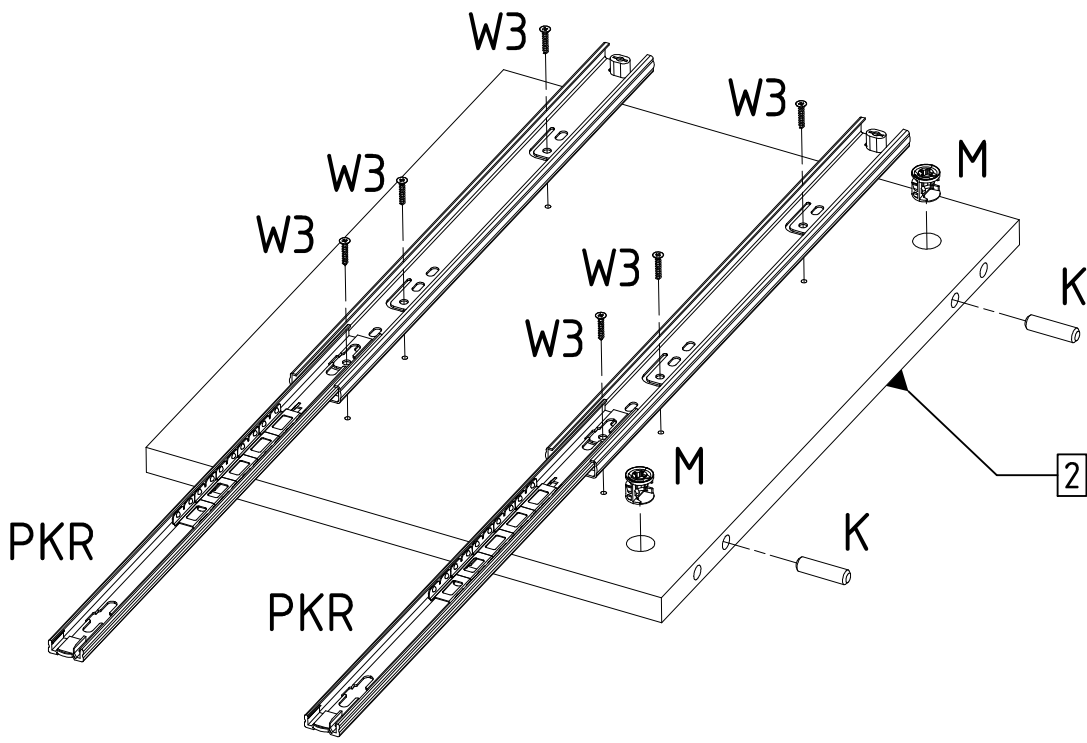
Elements				Accessories	
SYMBOL	LENGTH	WIDTH	QUANTITY	SYMBOL	QUANTITY
BL [1]	15.75	12.2	1	A1	1
BP [2]	15.75	12.2	1	E13	16
FTS [3]	18.15	5.91	2	G	36
KBL [4]	13.78	3.94	2	K	8
KBP [5]	13.78	3.94	2	KN	12
KD [6]	17.28	13.94	2	M	8
KT [7]	16.18	3.94	2	M22	2
PC [8]	19.41	13.23	1	NS (h=200mm)	4
WD [9]	19.69	15.75	1	PKR [L-350]	4
WG [10]	19.69	15.75	1	PWK [L-350]	4
				ST	4
				T	8
				UG2	2
				W3	20
				Z	8



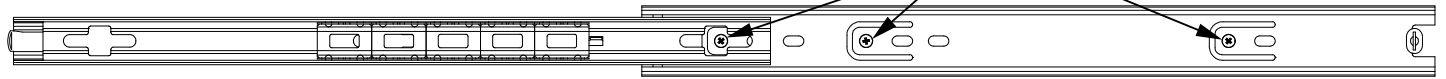


1.

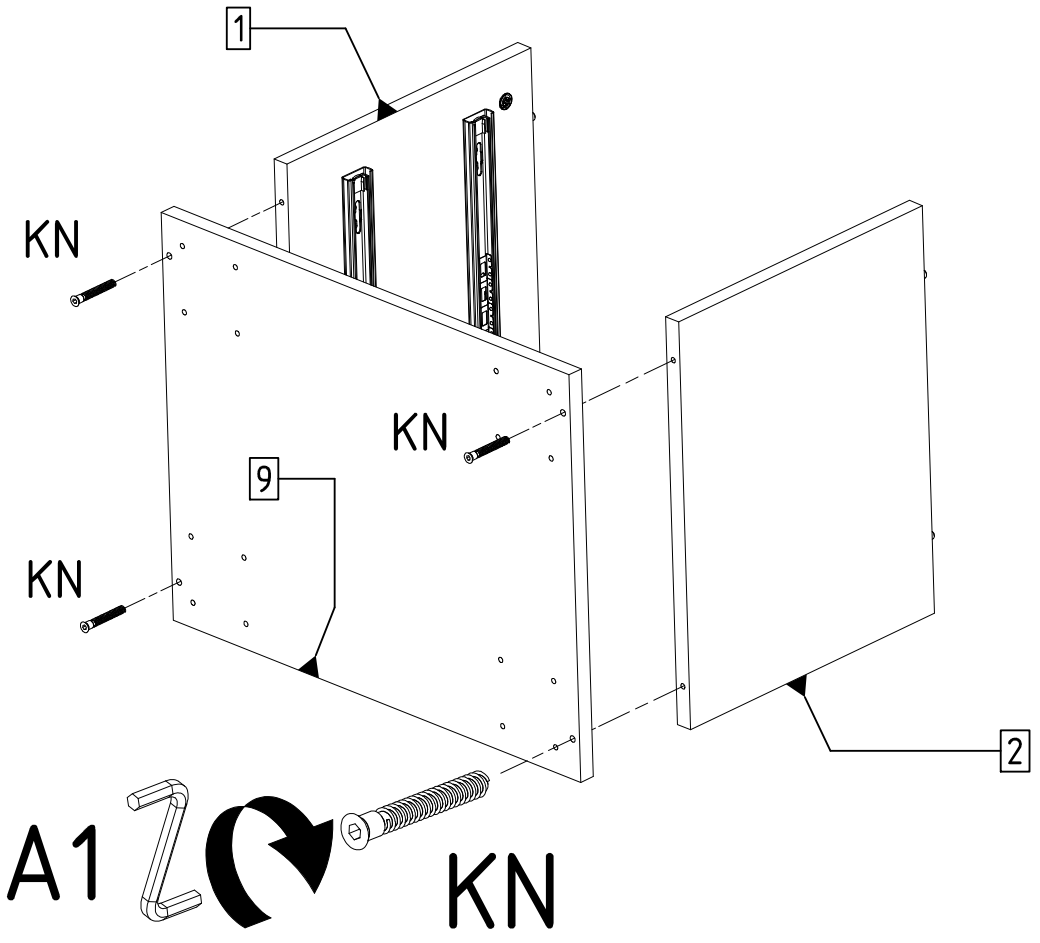




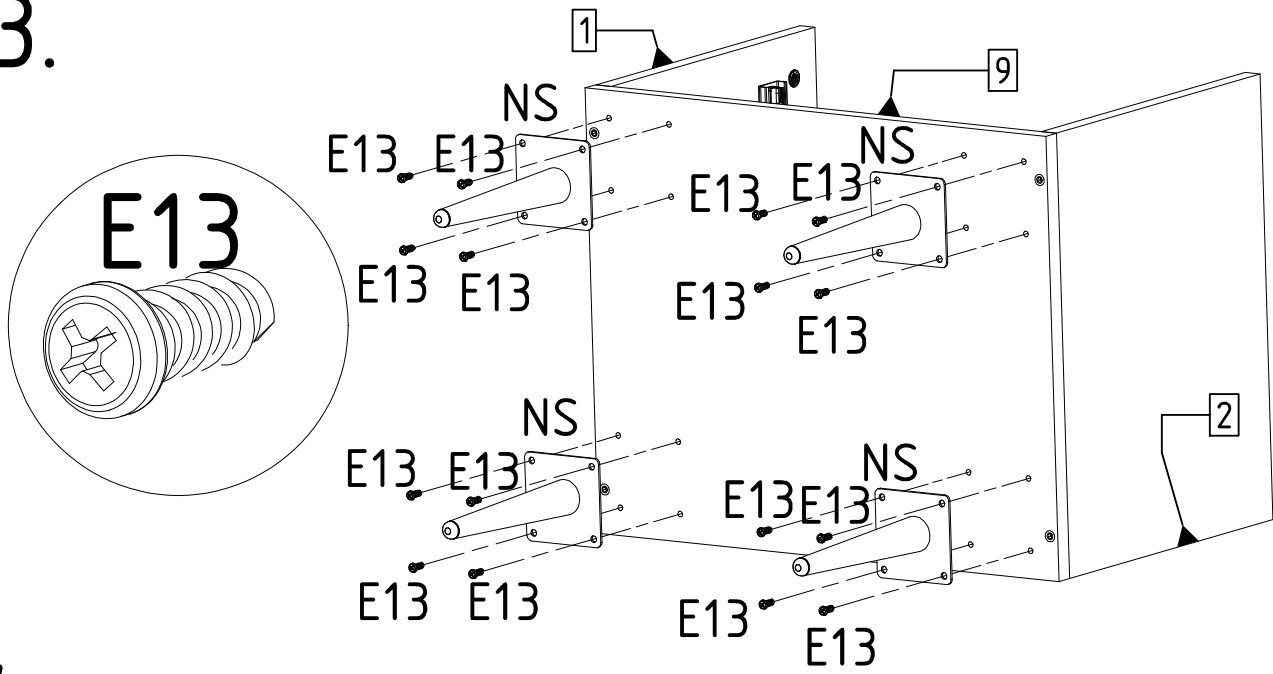
PKR



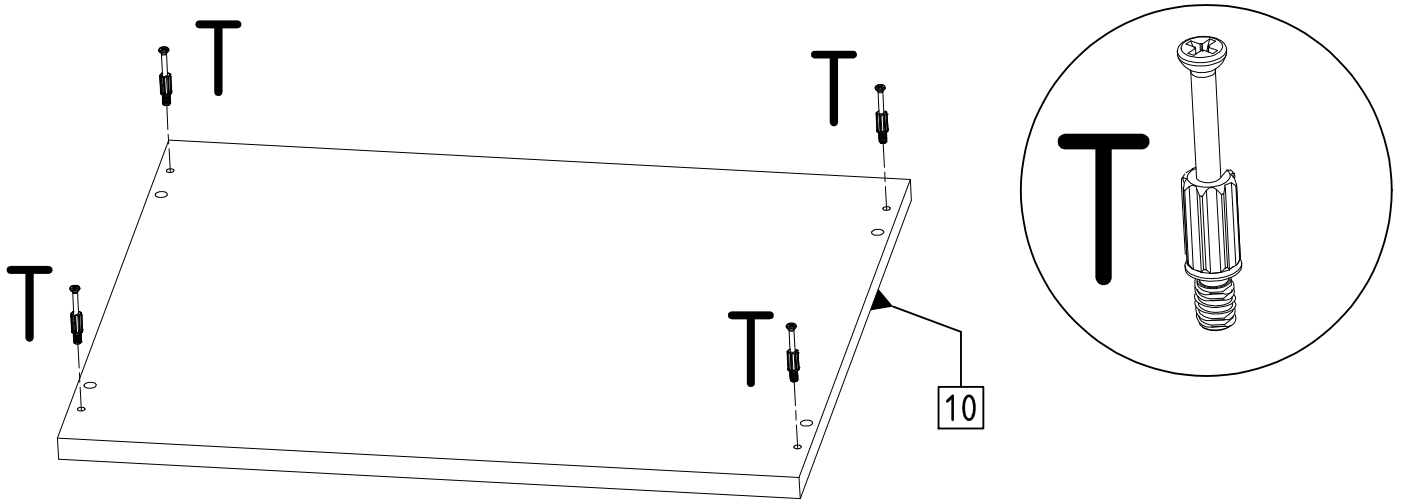
2.



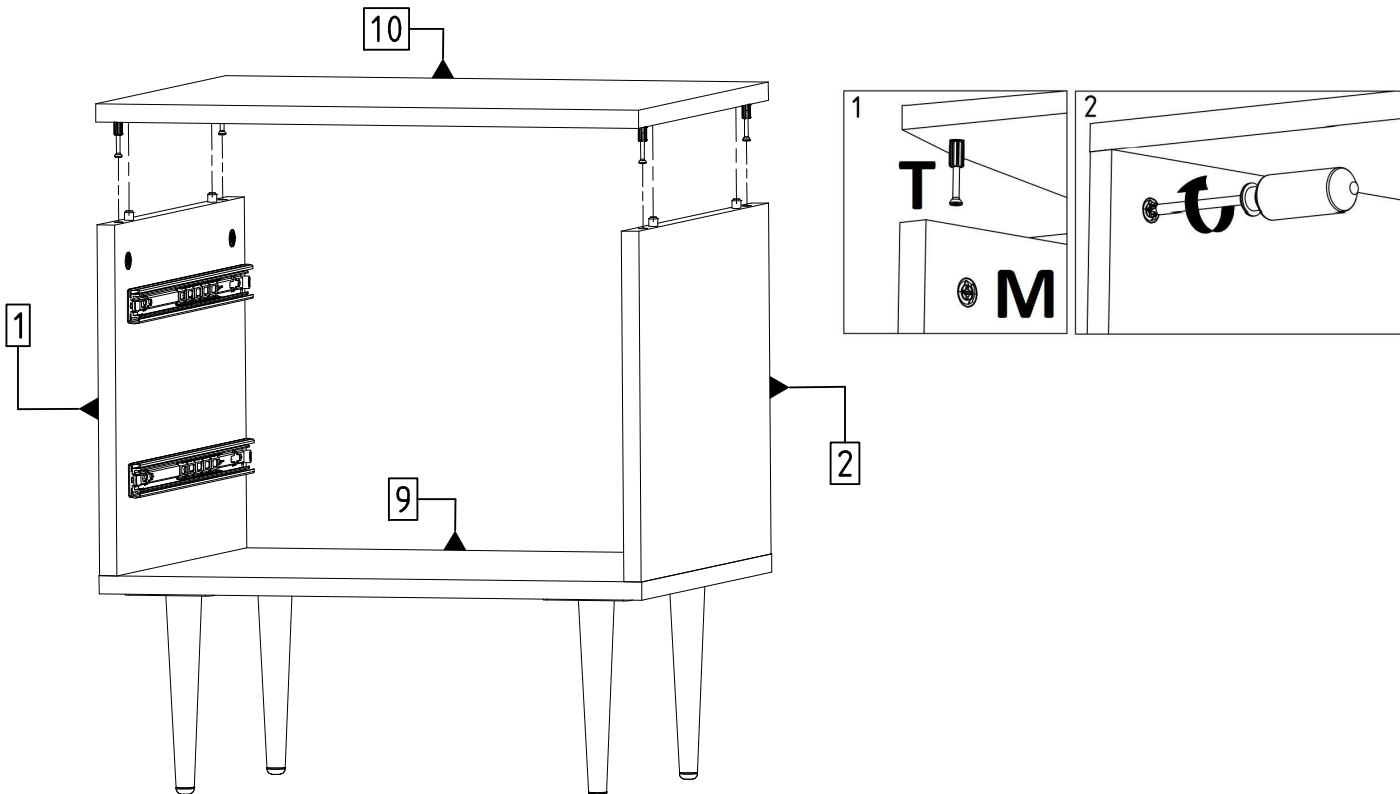
3.



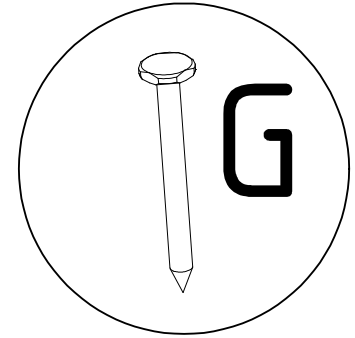
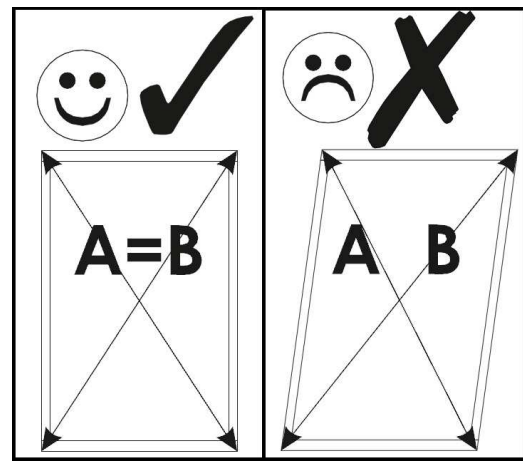
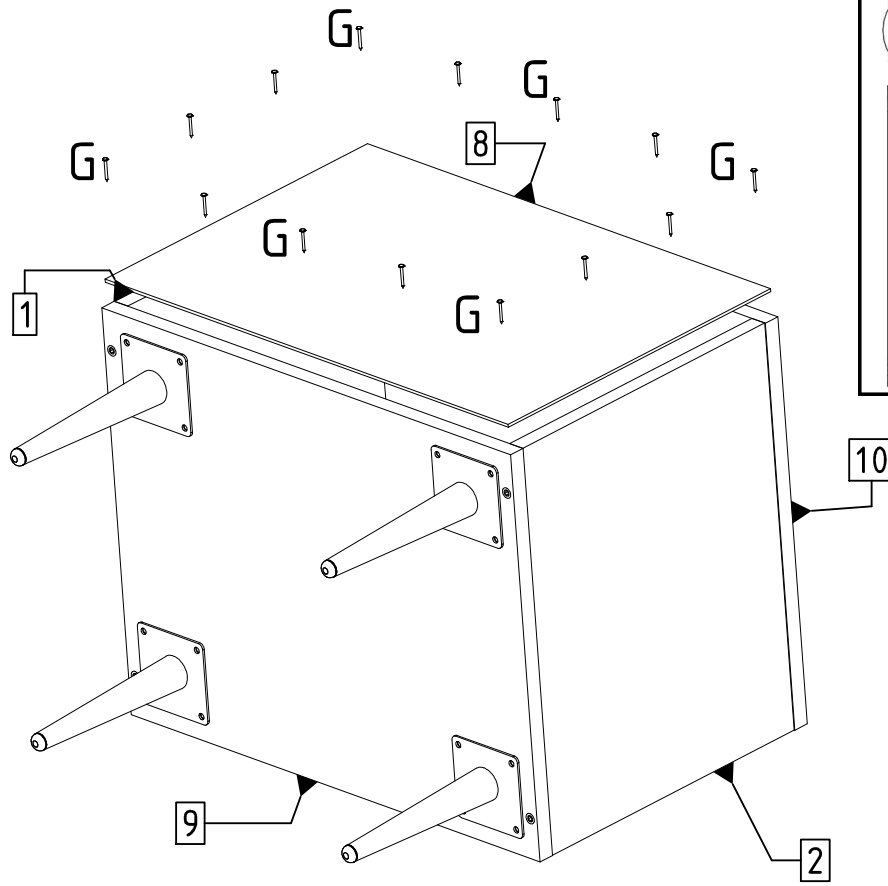
4.



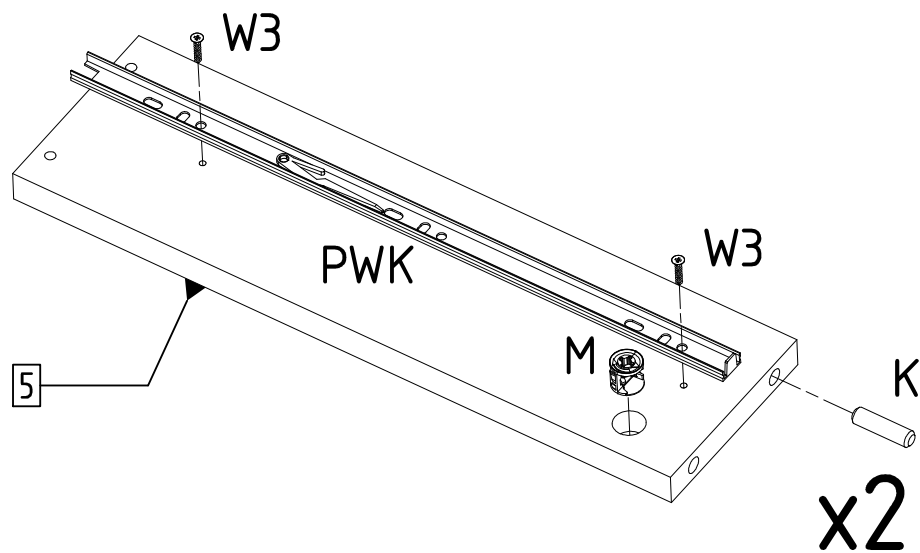
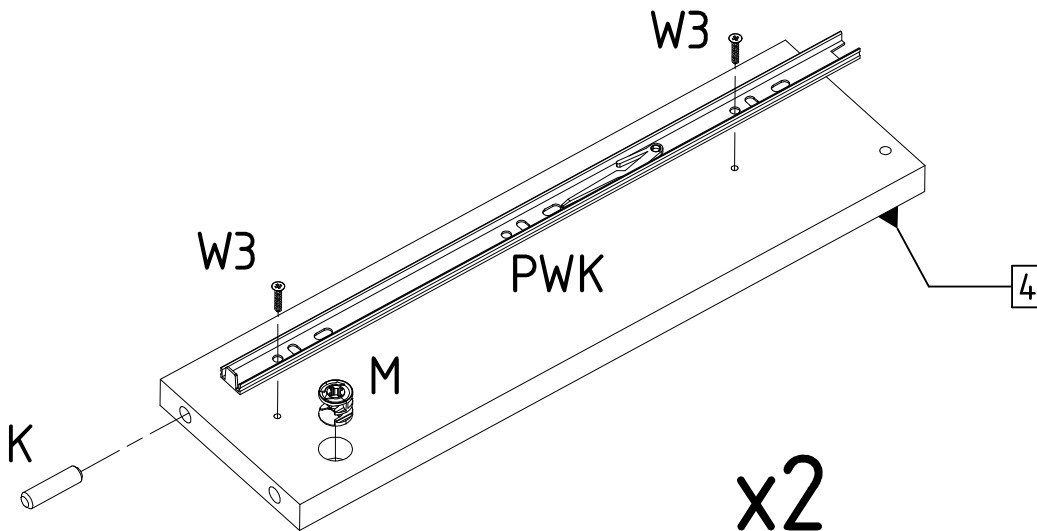
5.



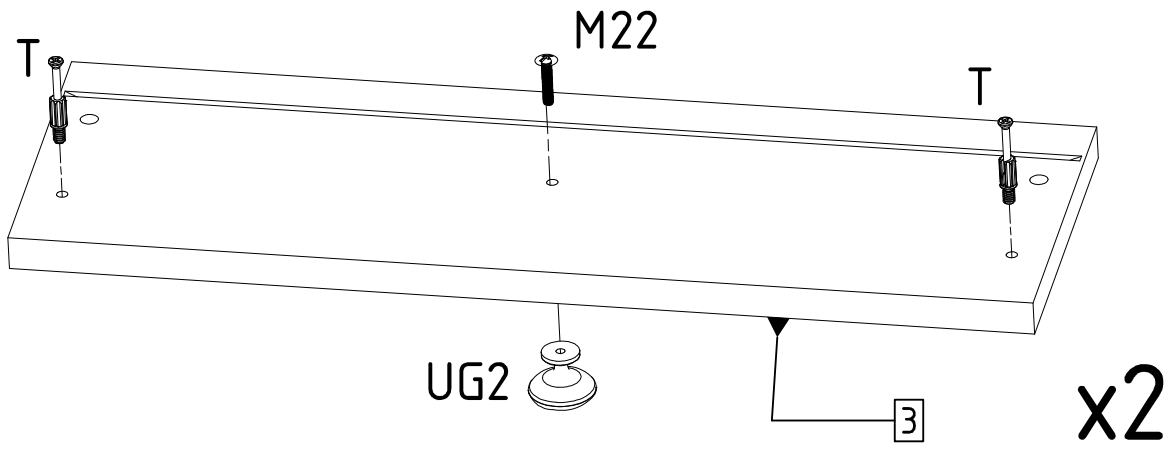
6.



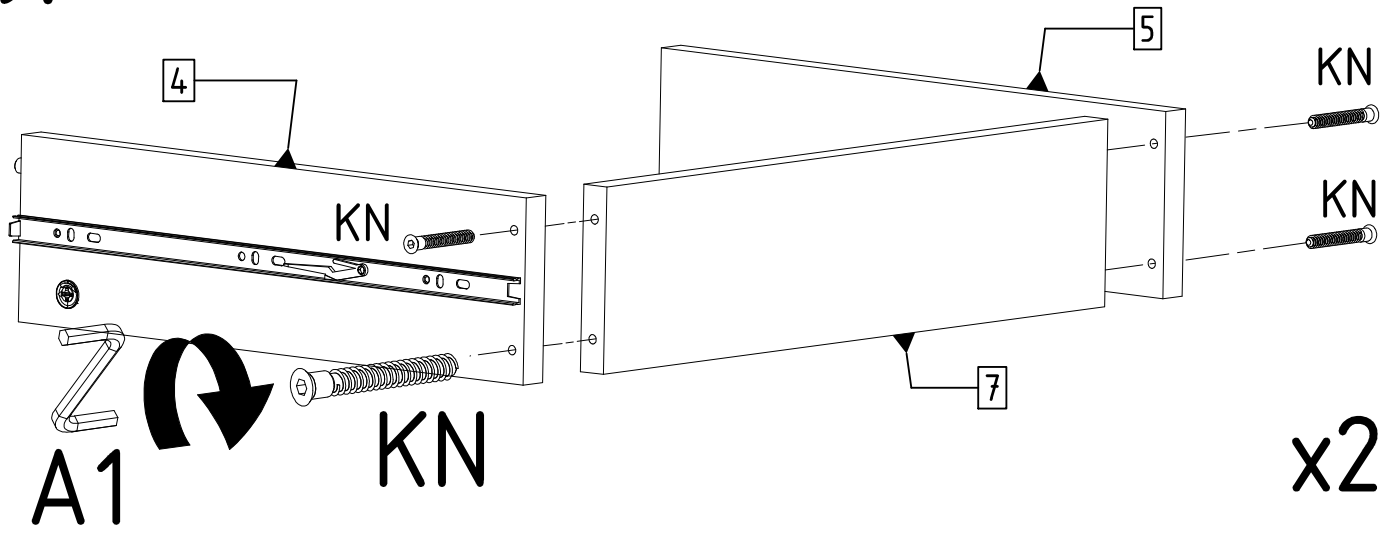
7.



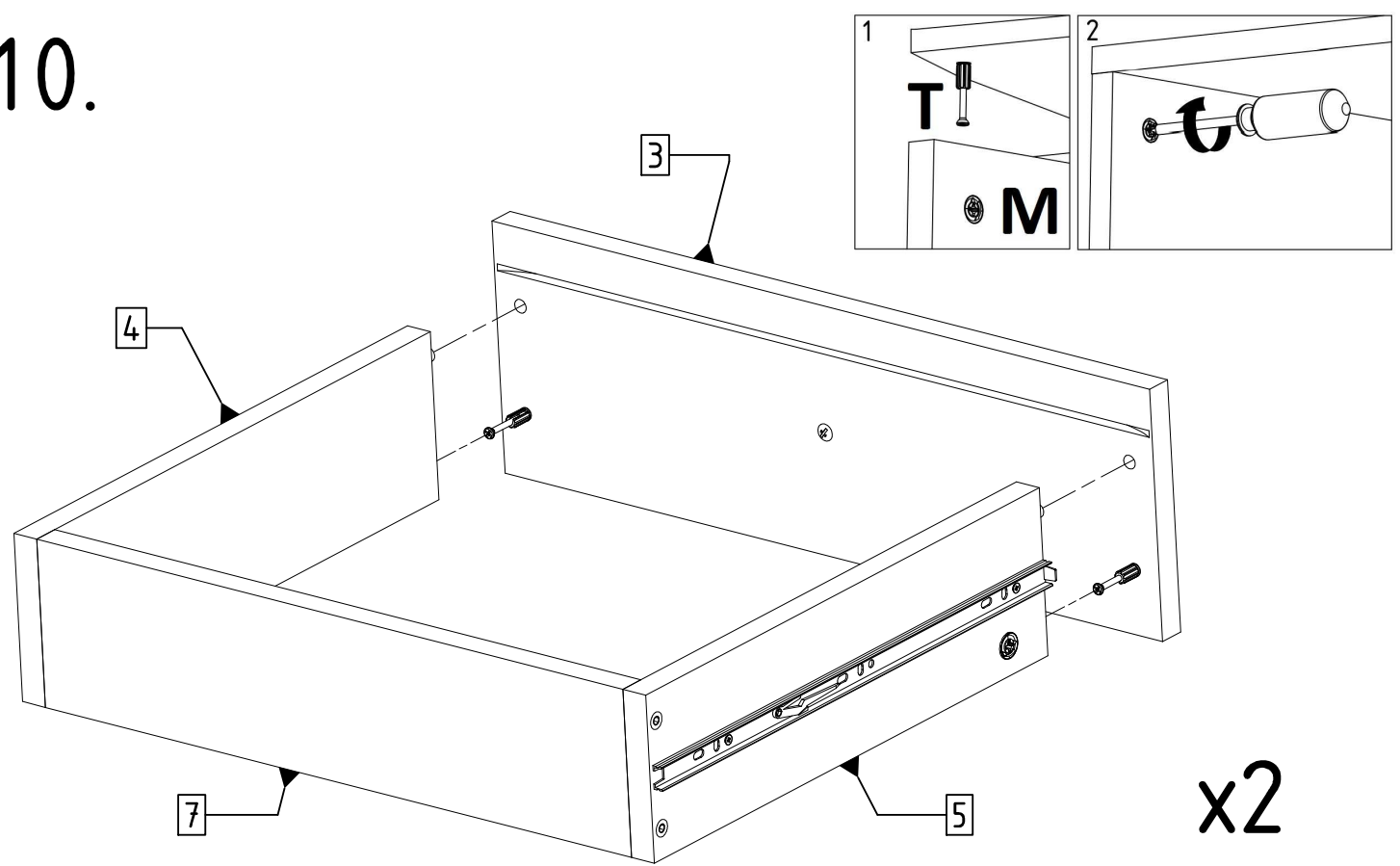
8.



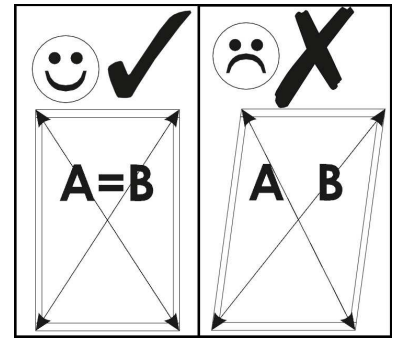
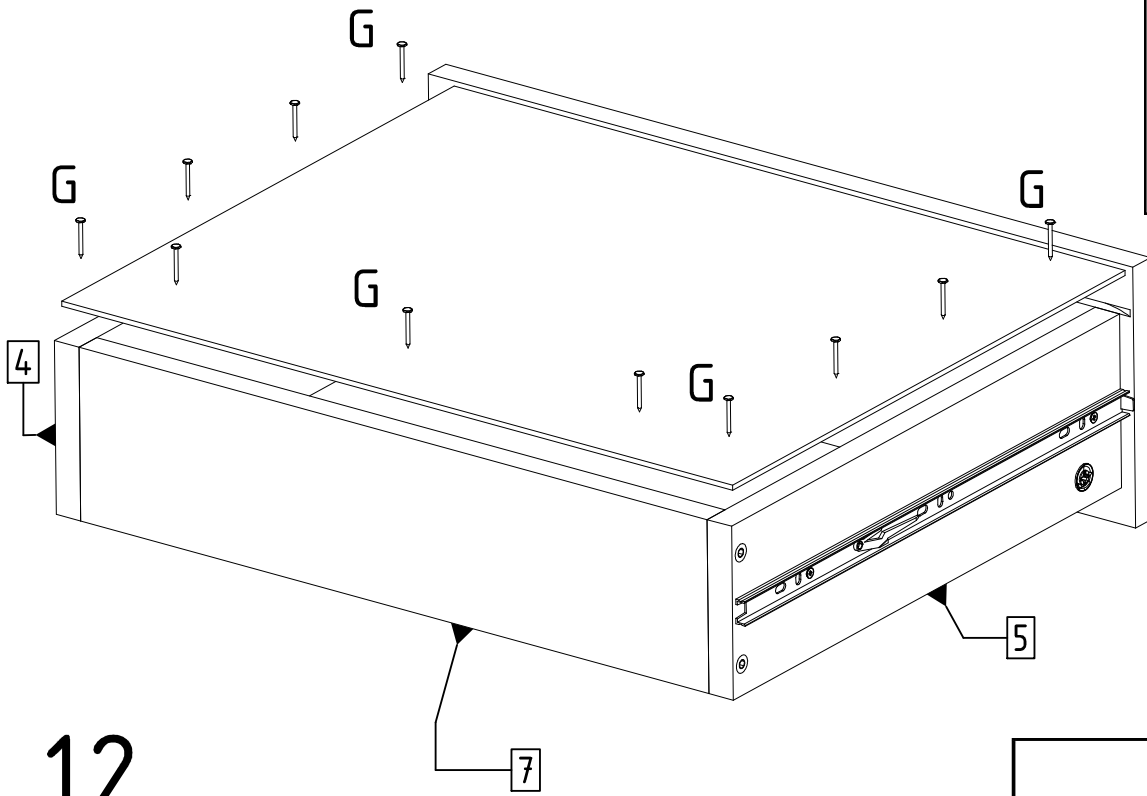
9.



10.

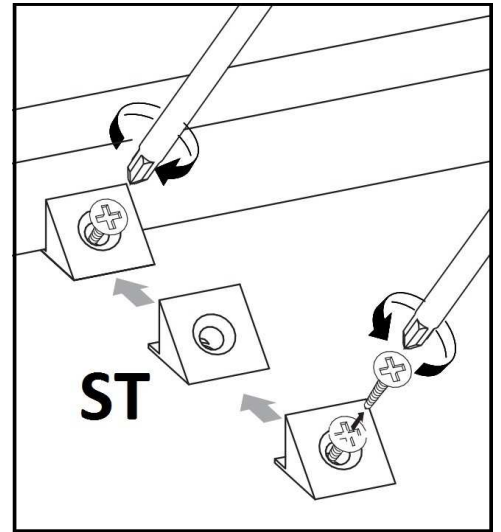
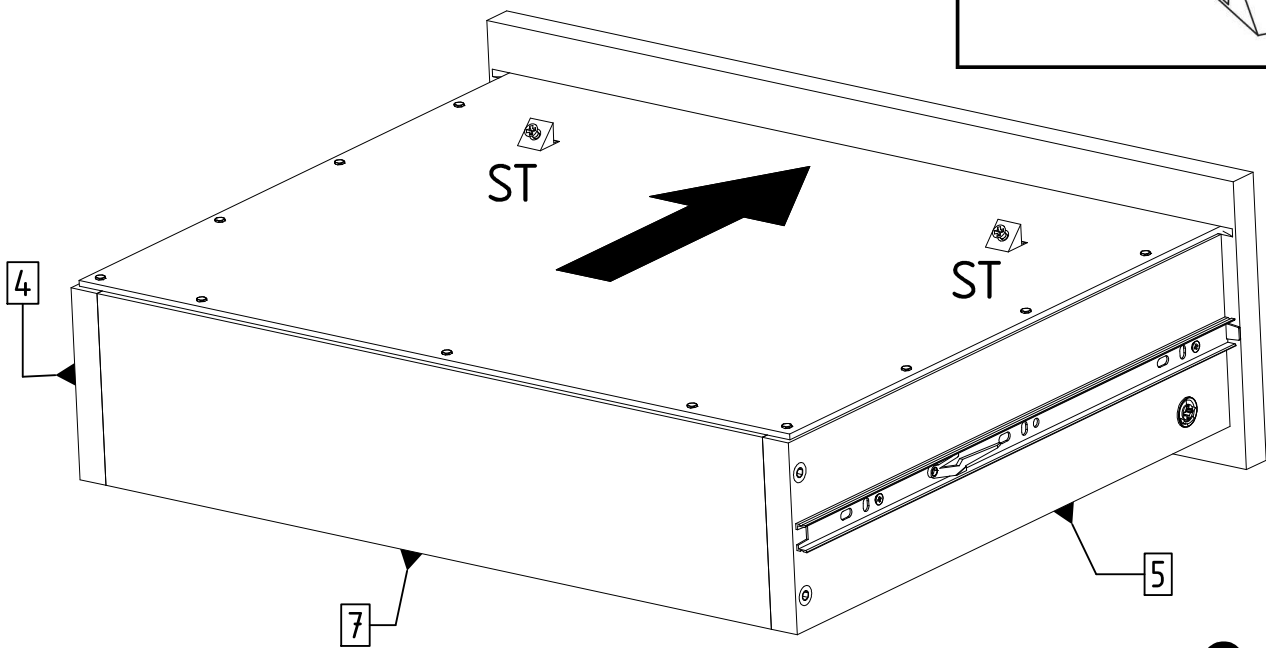


11.



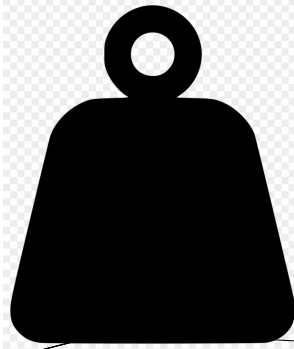
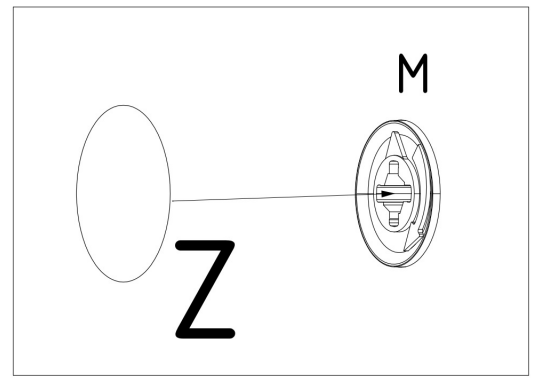
x2

12.



x2

13.



max.
15 kg

