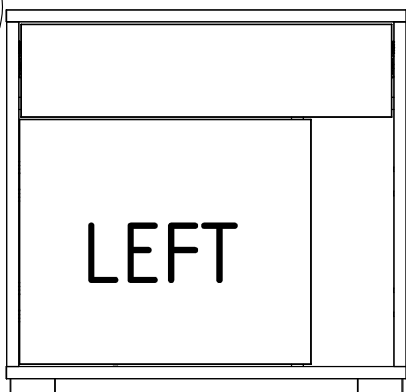


LYON

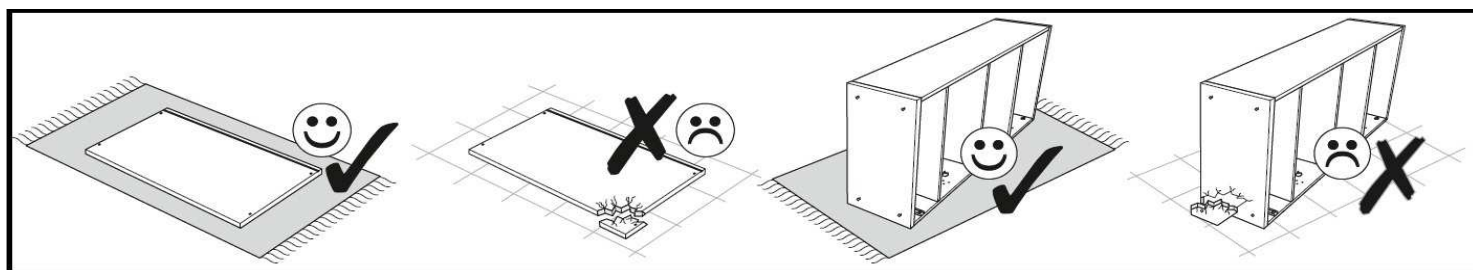
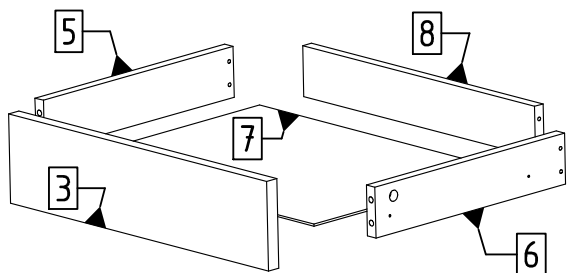
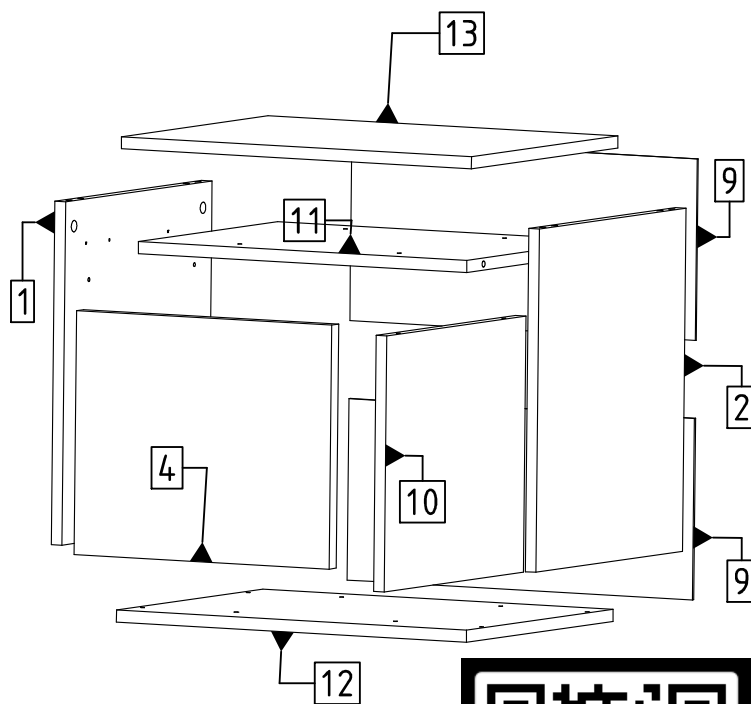
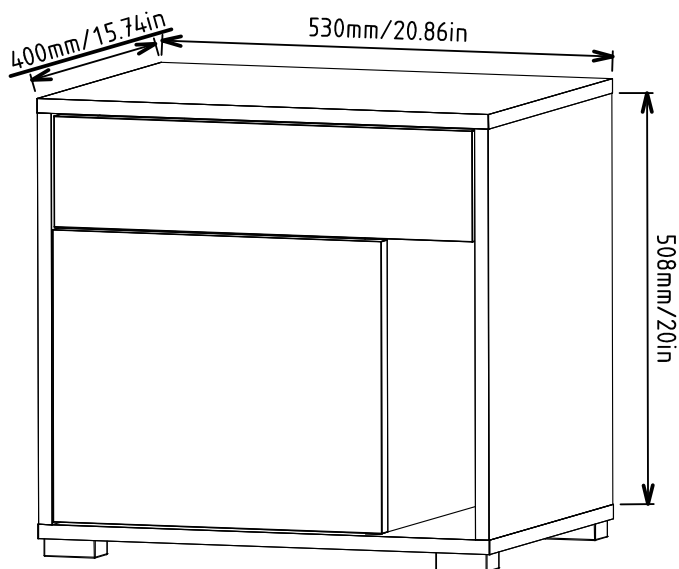
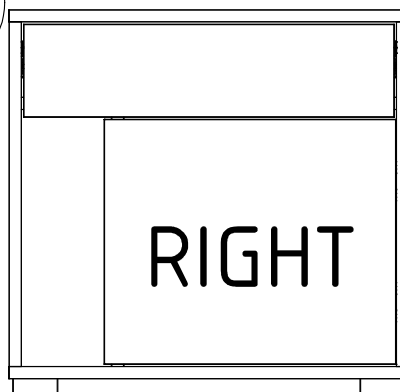
LYON\_01

OP-73

A

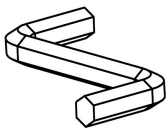
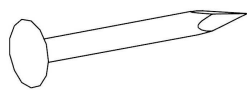
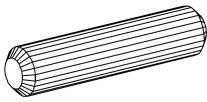
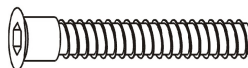

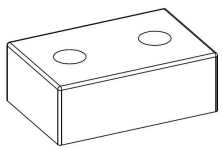
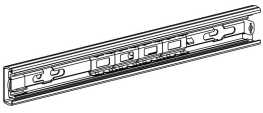


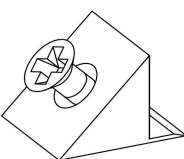
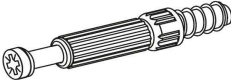

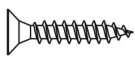
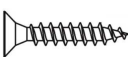
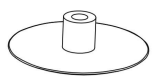
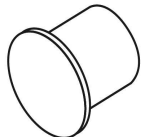
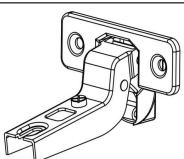


B

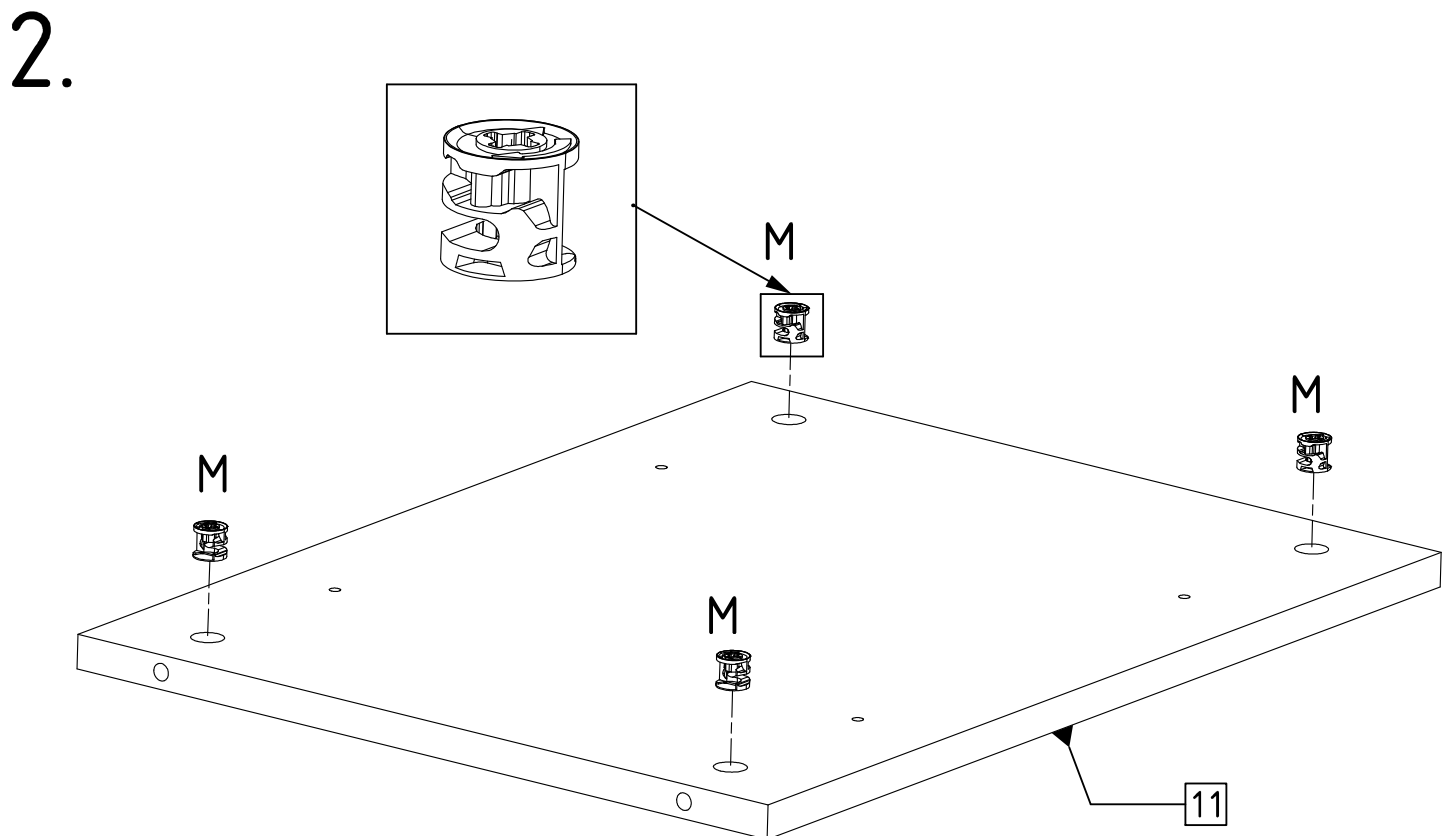
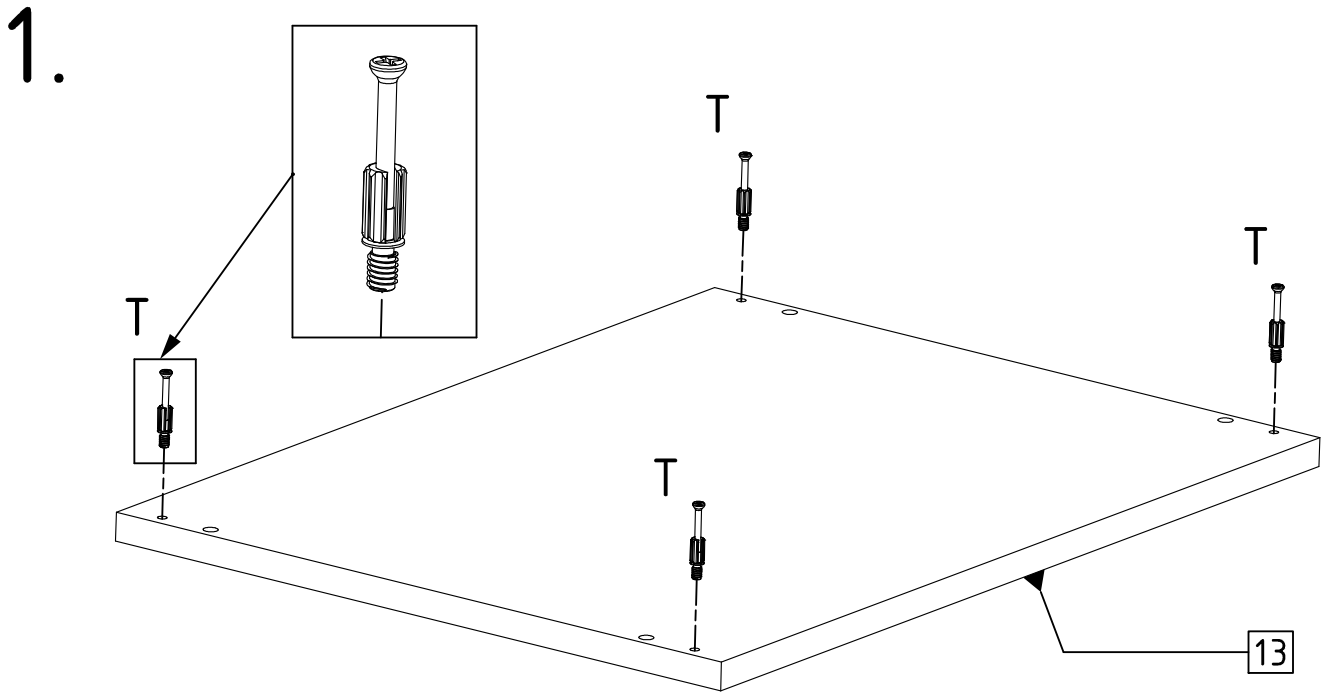
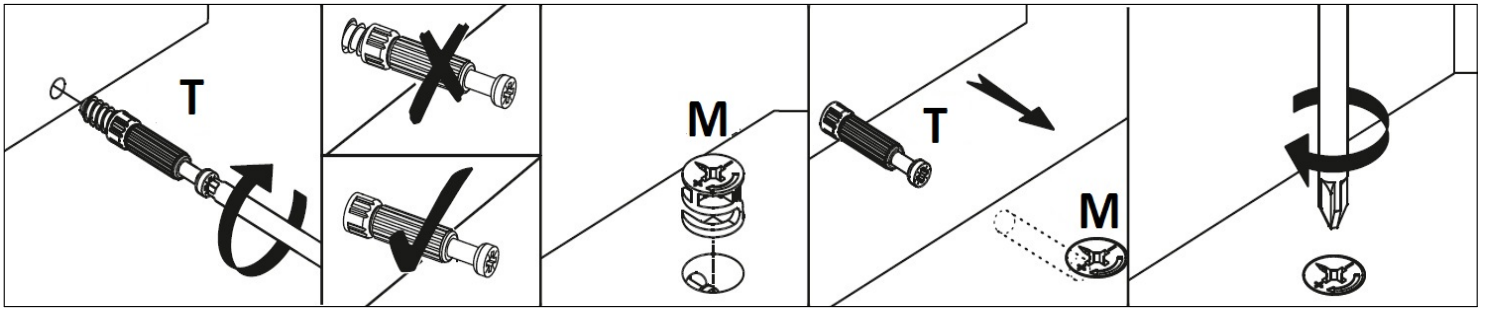


## Table accessories

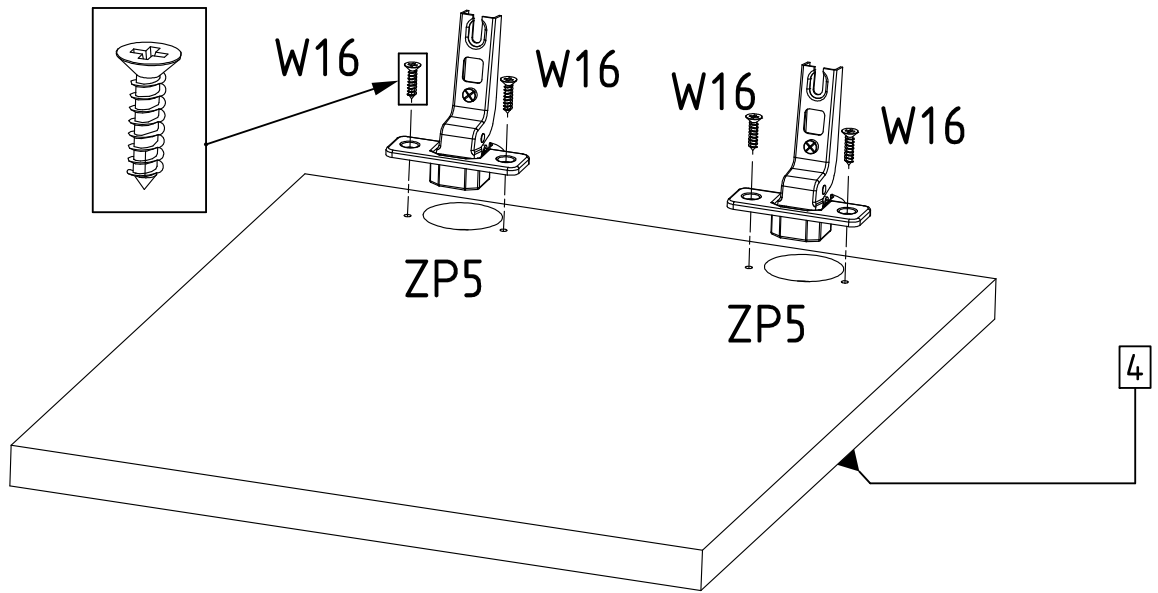
### LYON\_01

 <b>A1</b>	 <b>G</b> L350	 <b>K</b> 8 x 30	 <b>KN</b> 6,3 X 50	 <b>M</b> 15 x 12
 <b>N5</b> 6 x 34 mm	 <b>PKR</b> 4 x 16	 <b>PRE</b> 3 x 16mm	 <b>PWK</b> 4 X 25mm	 <b>ST</b>
 <b>T</b>	 <b>W16</b>	 <b>W3</b>	 <b>W4</b>	 <b>Z</b>
 <b>Z5</b>	 <b>ZP5</b>			

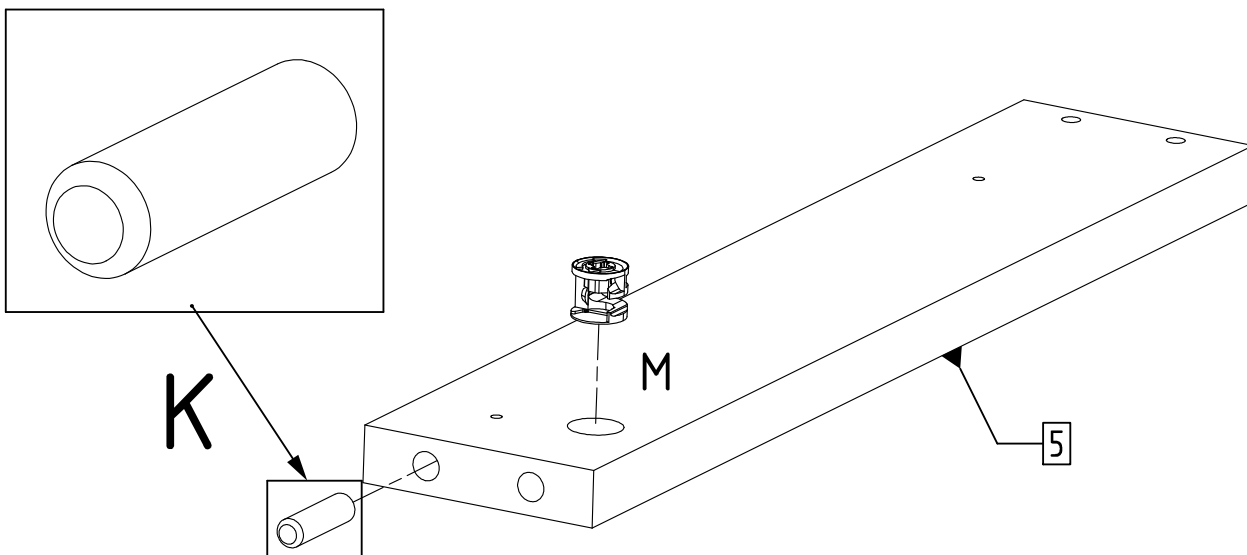
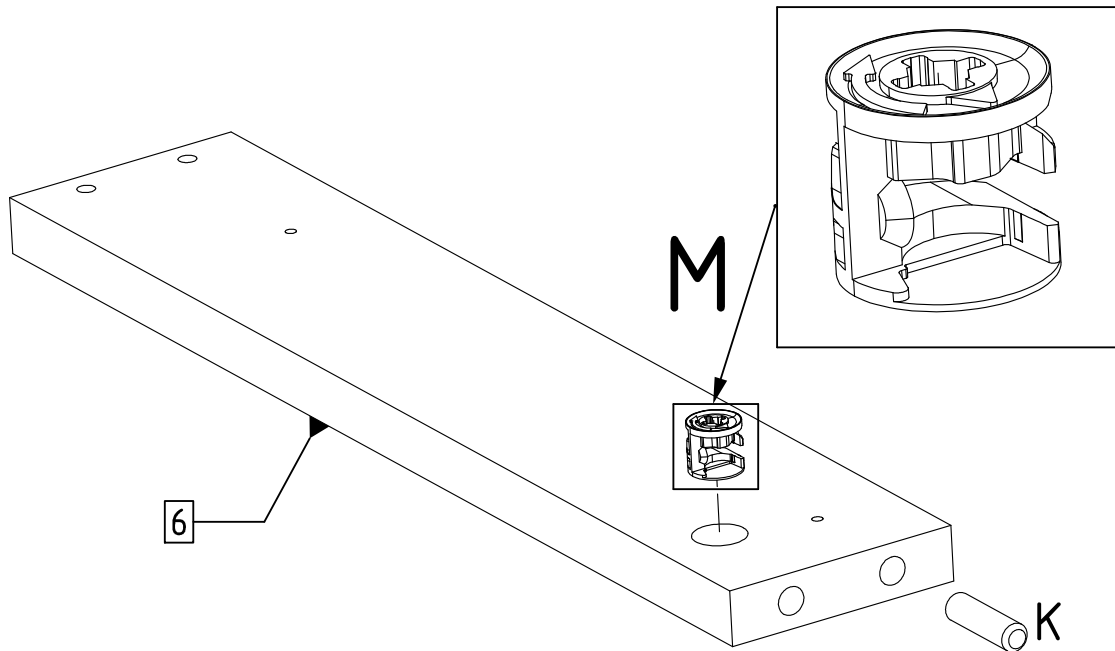
Elements				Accessories	
SYMBOL	LENGTH	WIDTH	QUANTITY	SYMBOL	QUANTITY
BL[1]	17.95	15.75	1	A1	1
BP[2]	17.95	15.75	1	G	31
FTS[3]	19.33	4.84	1	K	6
FT[4]	15.2	12.76	1	KN	12
KBL[5]	13.78	2.76	1	M	10
KBP[6]	13.78	2.76	1	N5	4
KD[7]	18.46	13.94	1	PKR_L350	2
KT[8]	17.36	2.76	1	PRE	2
PC[9]	20.59	9.49	2	PWK_L350	2
PPIO[10]	14.96	13.39	1	ST	2
PP0[11]	19.57	14.96	1	T	10
WD[12]	20.87	15.75	1	W16	4
WG[13]	20.87	15.75	1	W3	10
				W4	8
				Z	10
				Z5	8
				ZP5	2

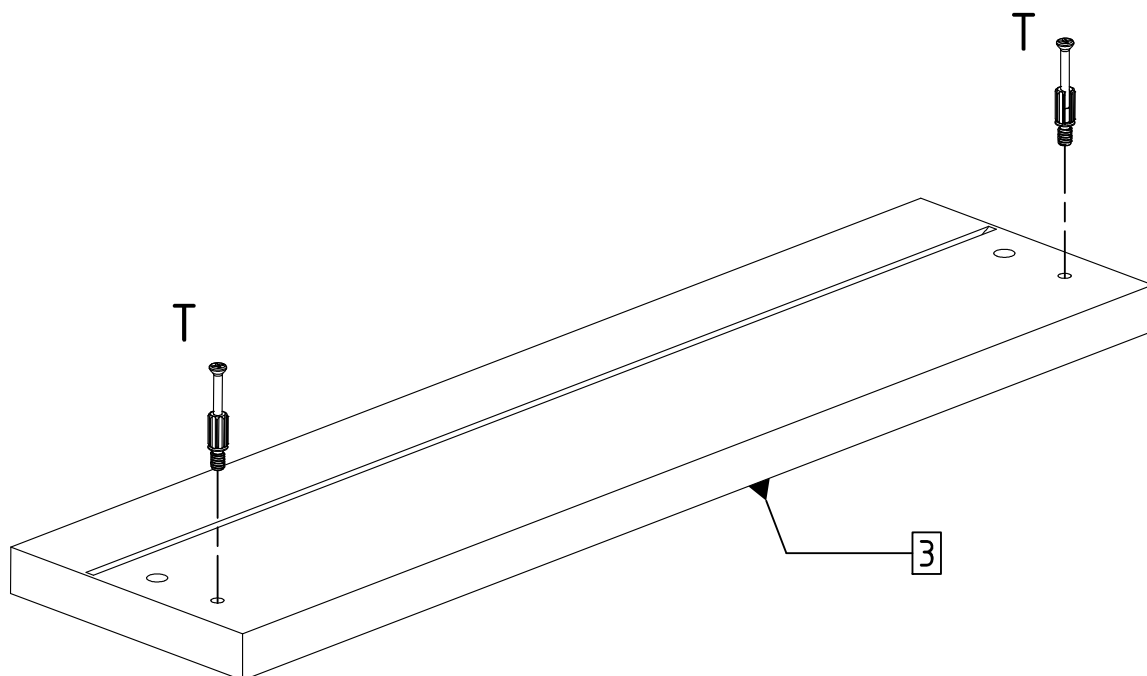


3.

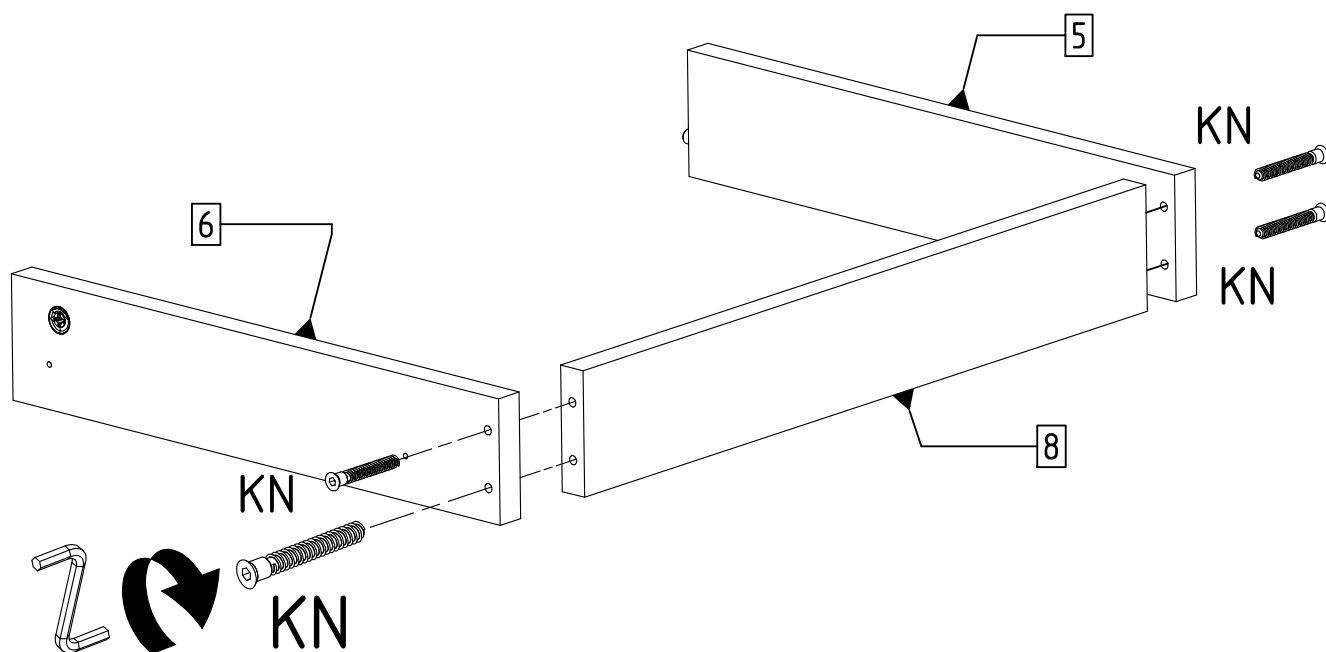


4.

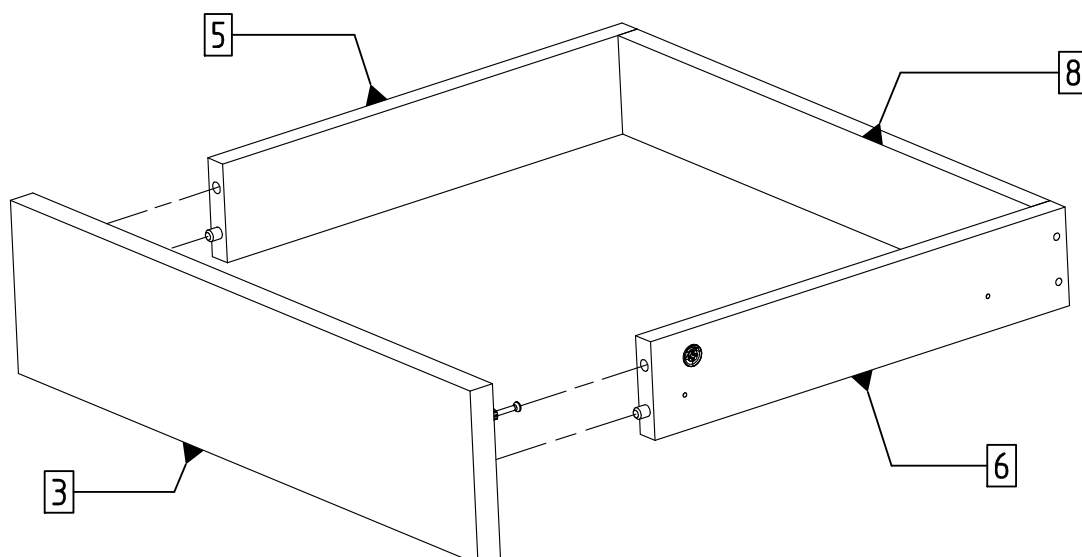




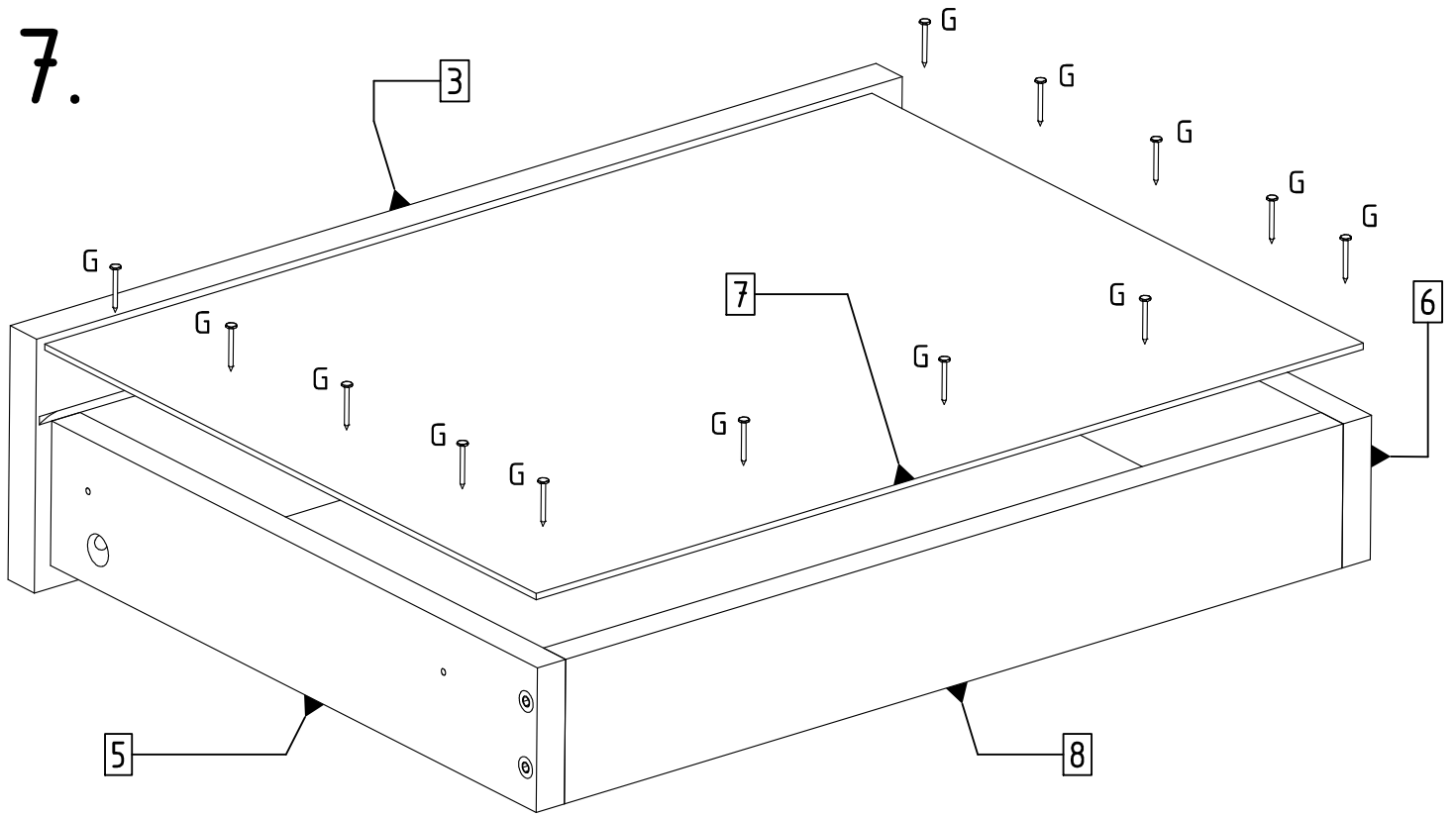
5.



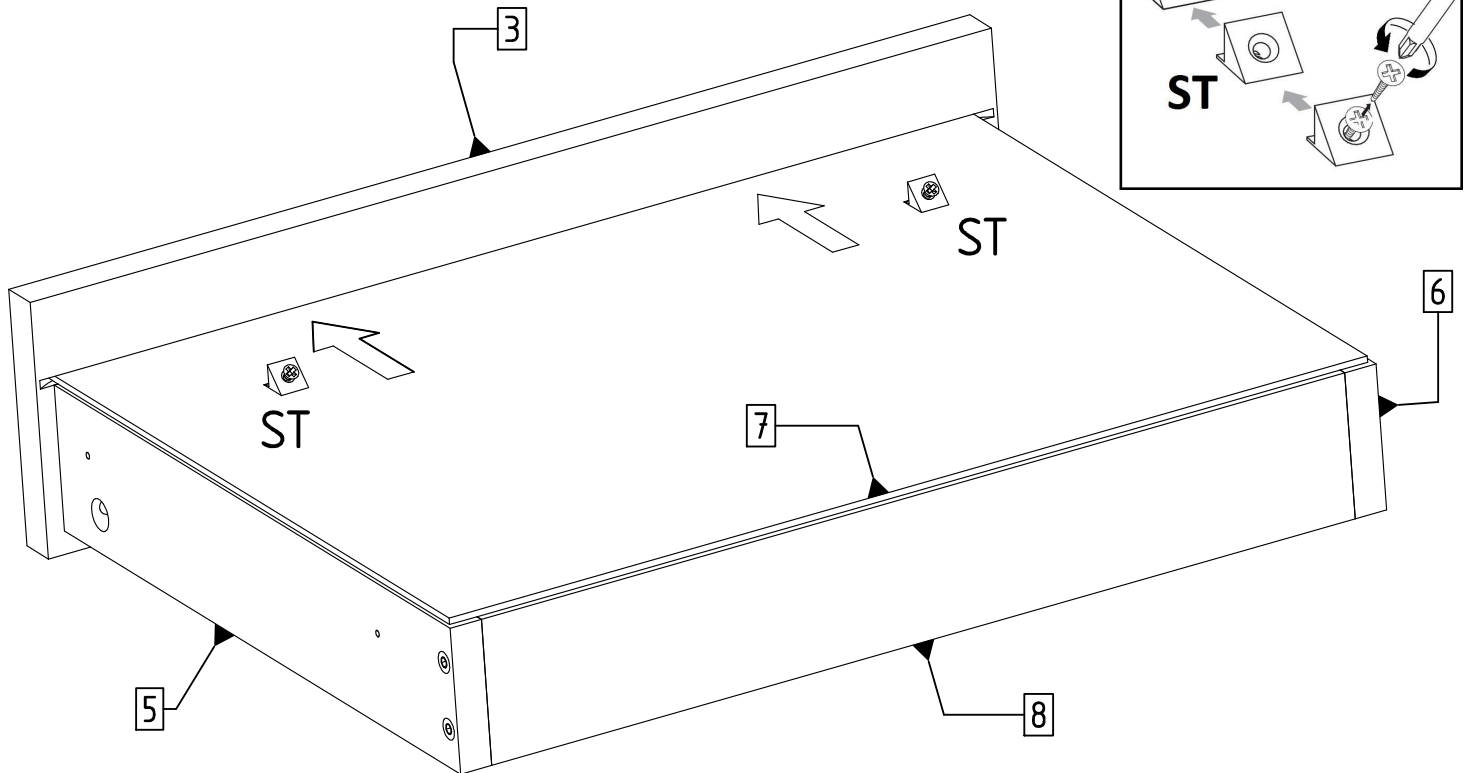
6.

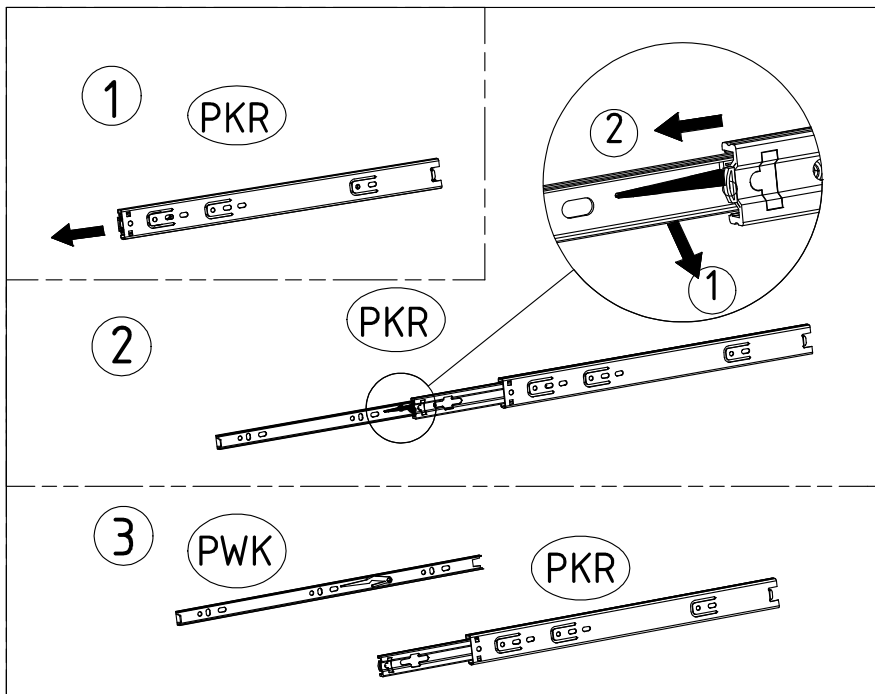


7.

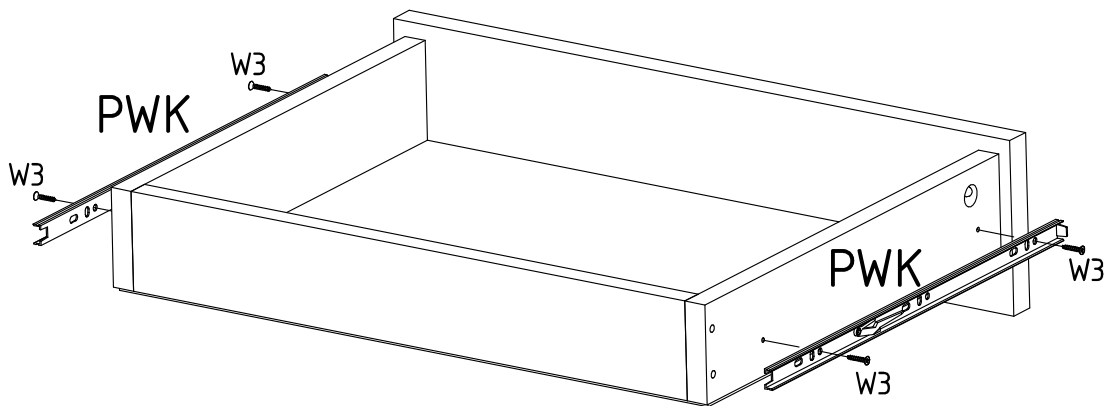


8.





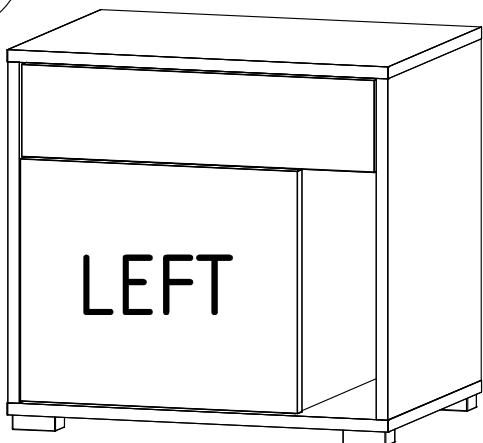
9.



1-7 ; 8-12 ; 18



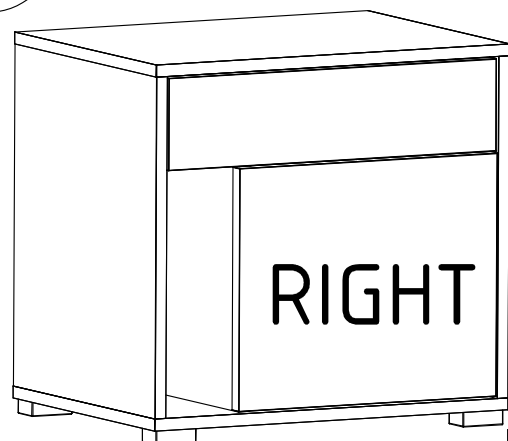
A



1-7 ; 13-18

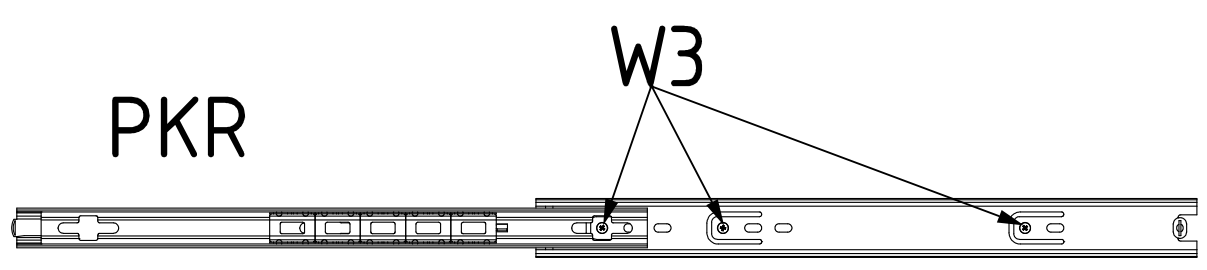
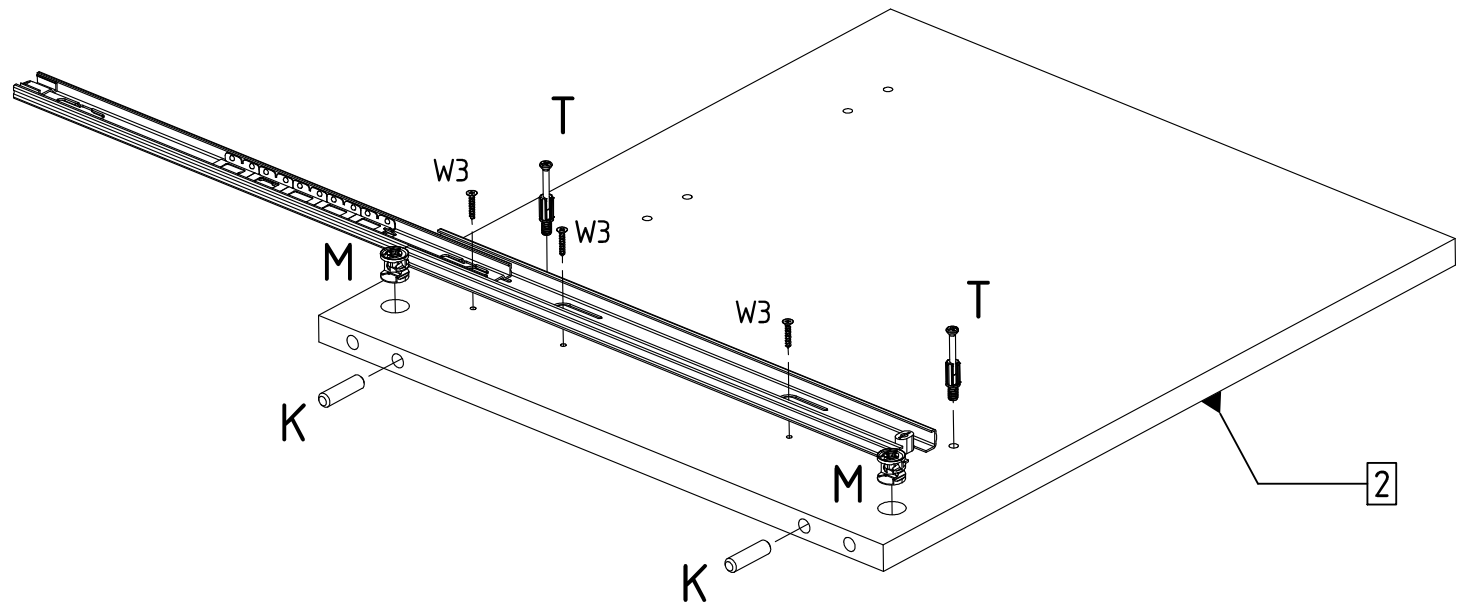
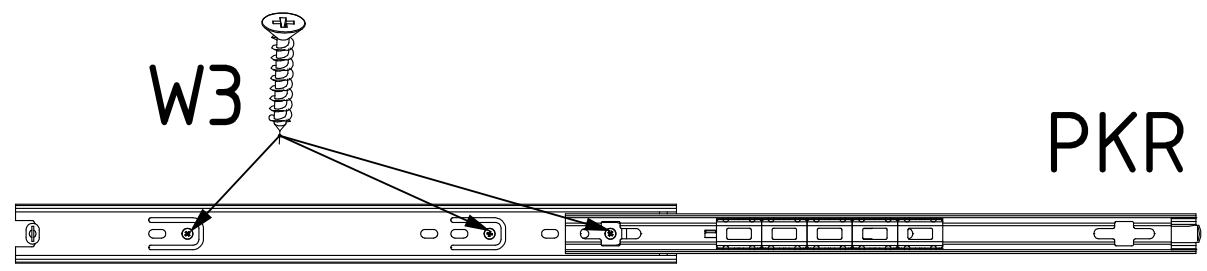
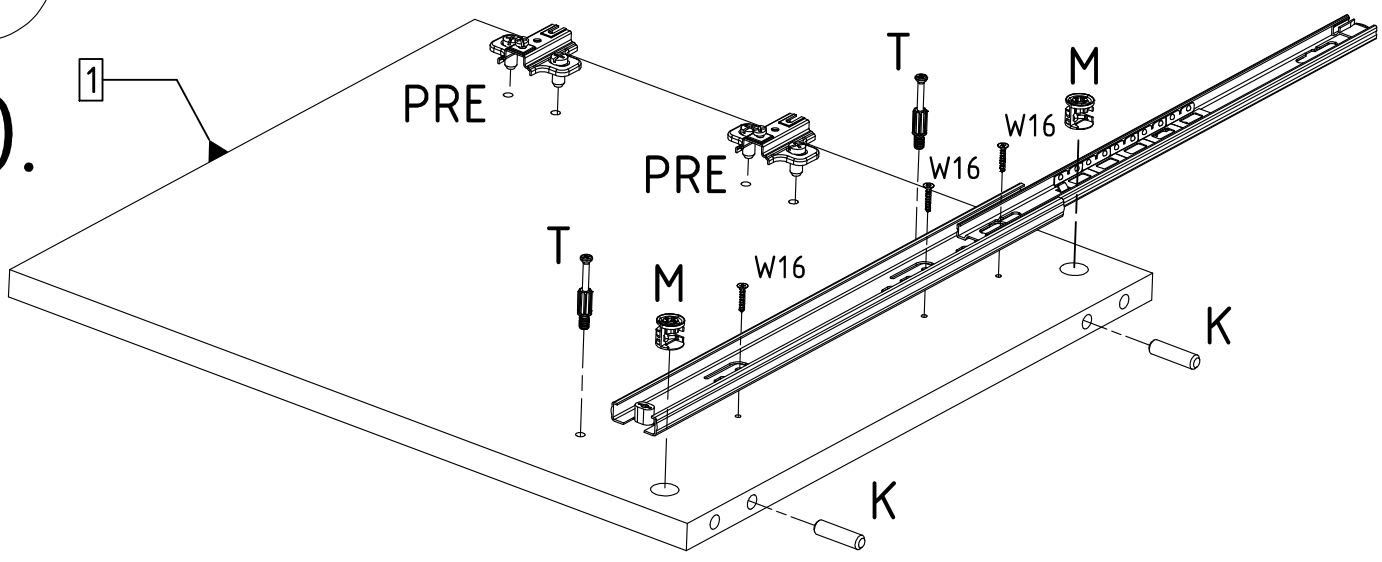


B



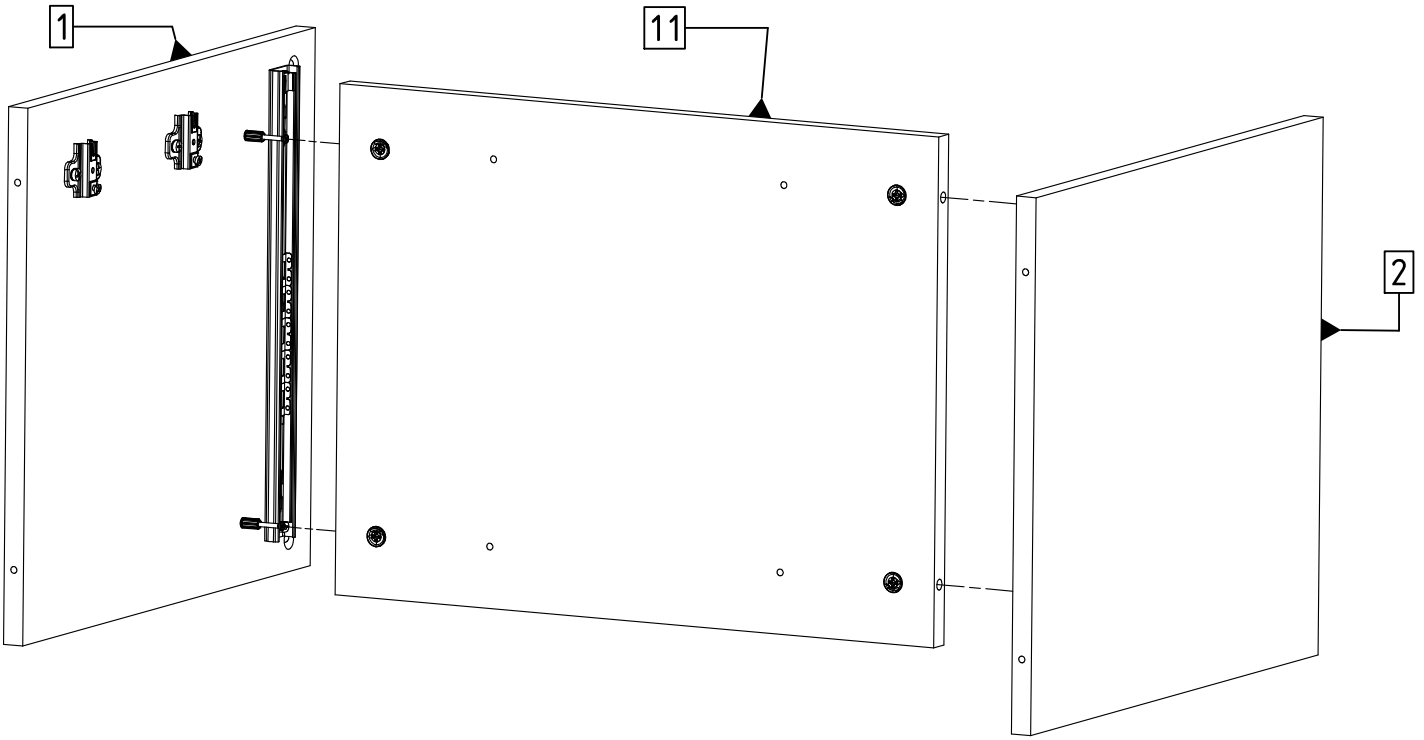
A

10.

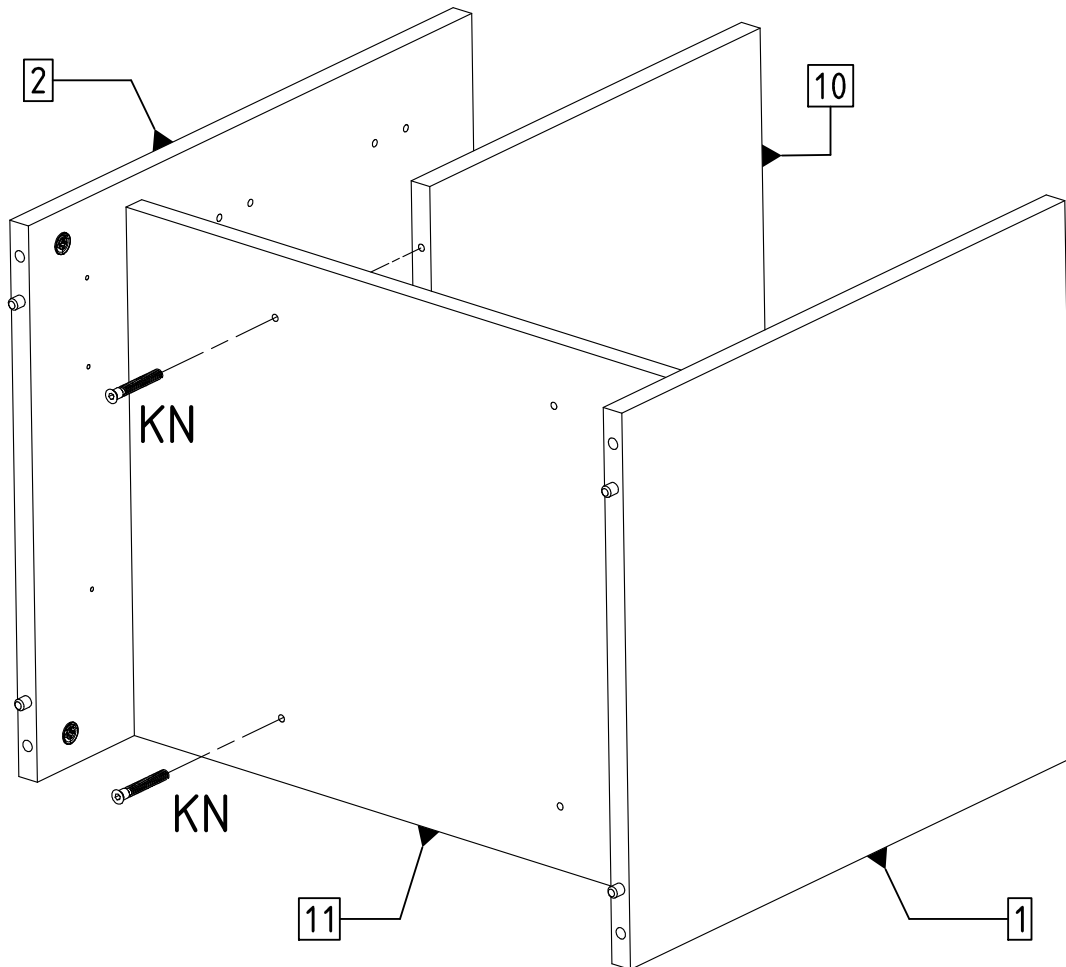




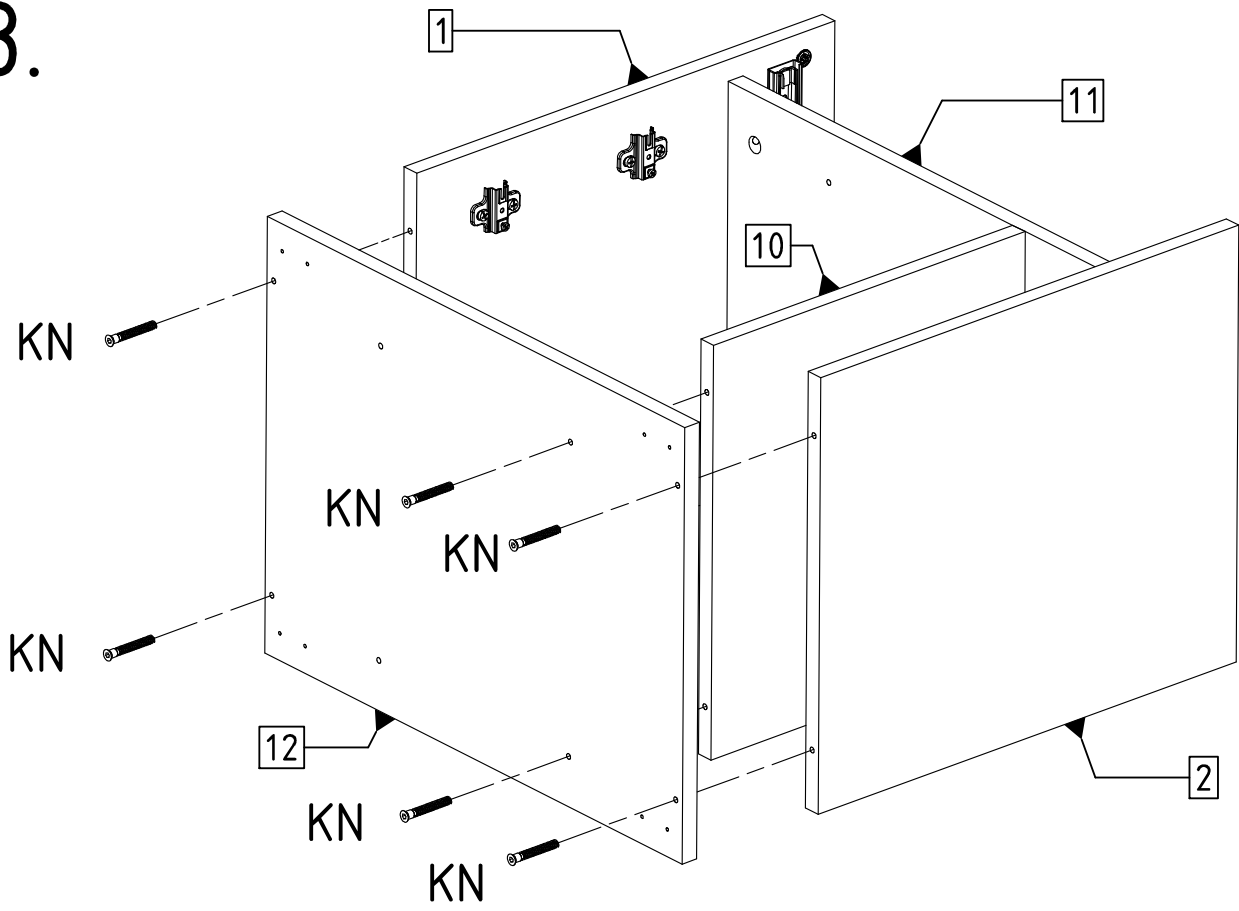
11.



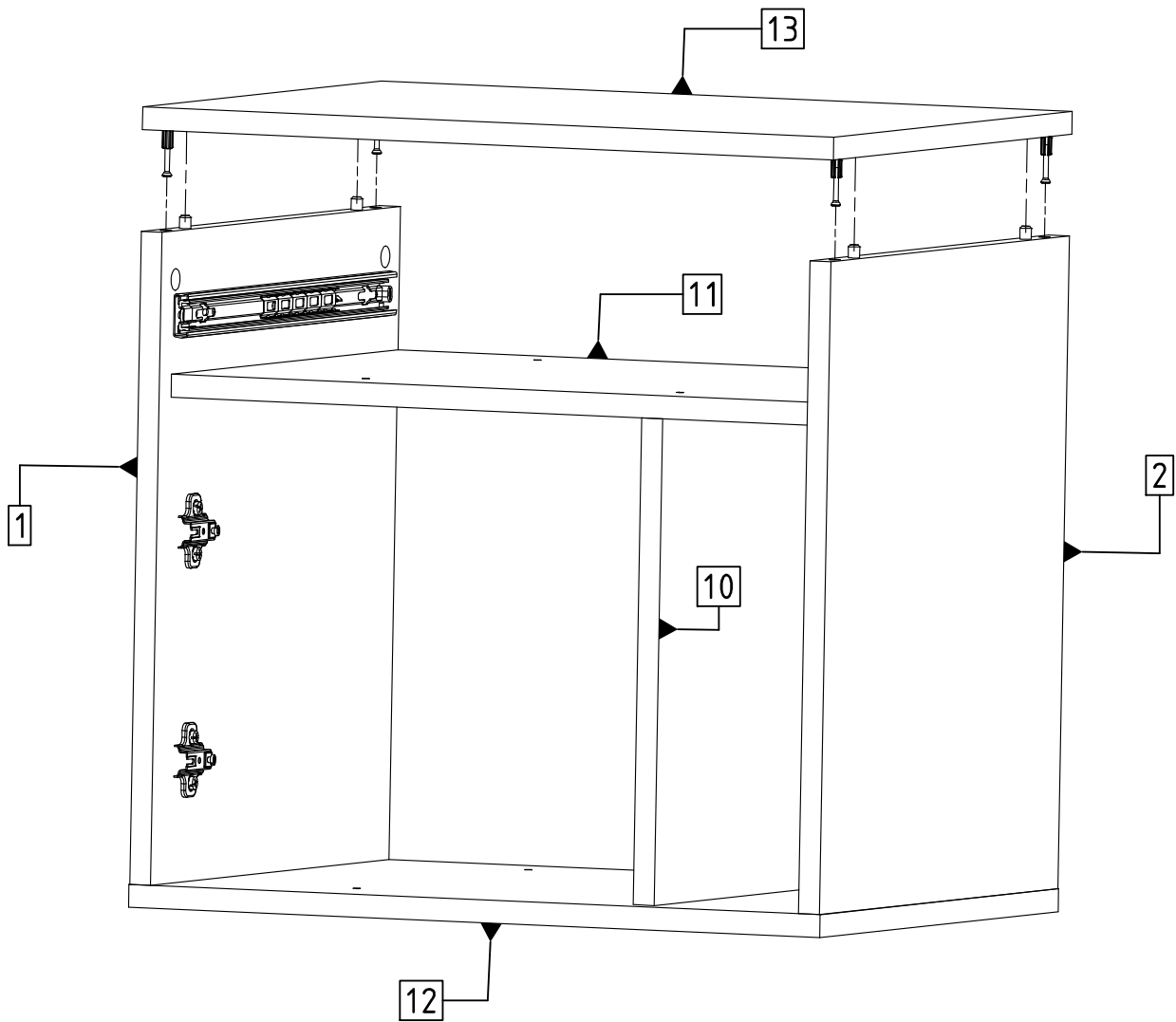
12.



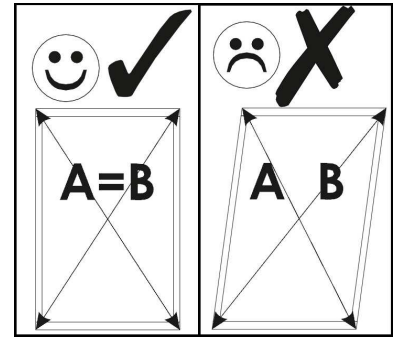
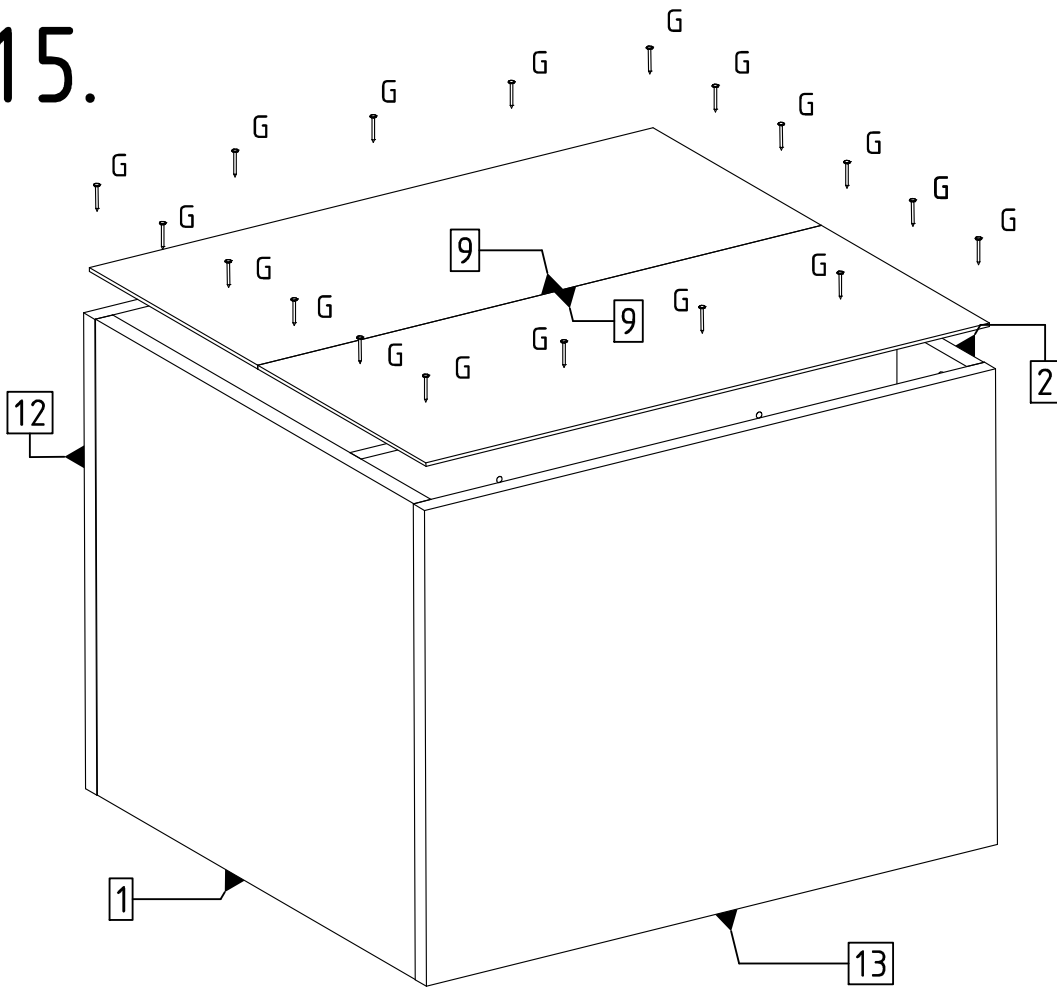
13.



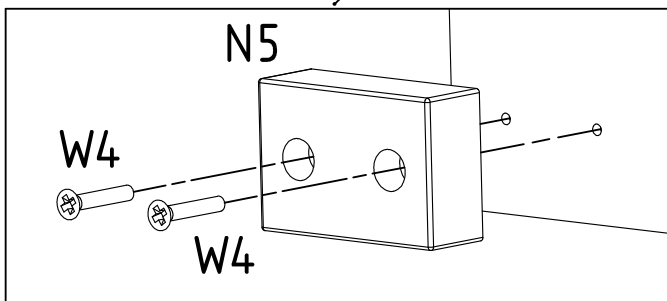
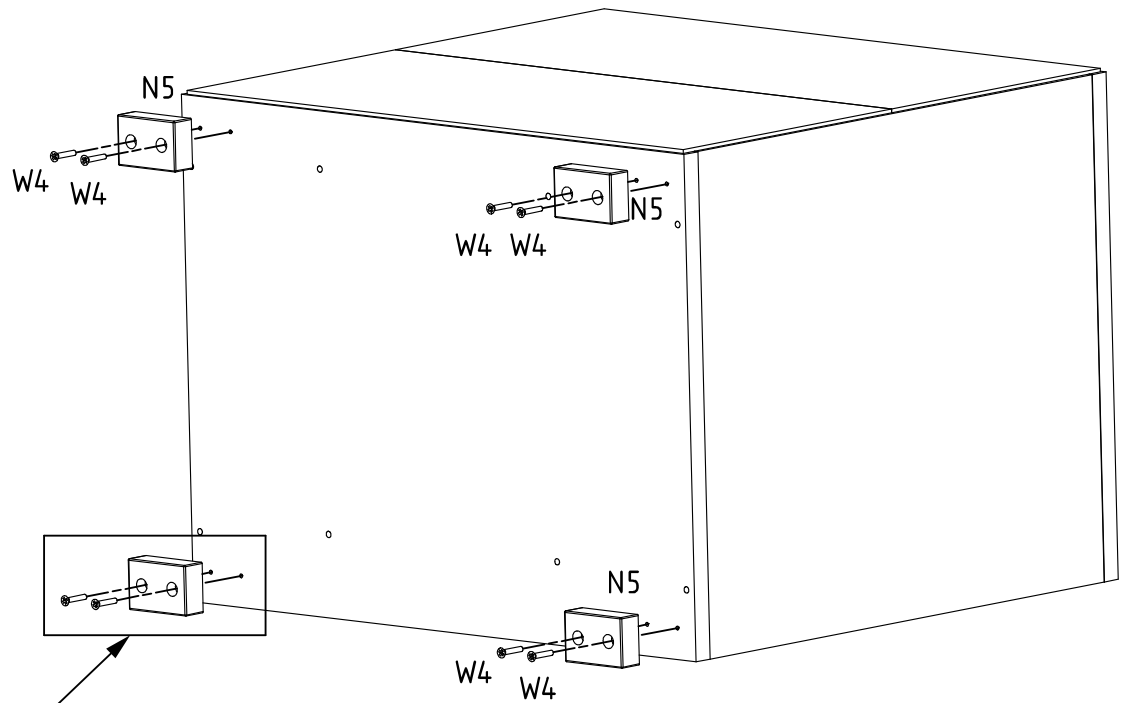
14.



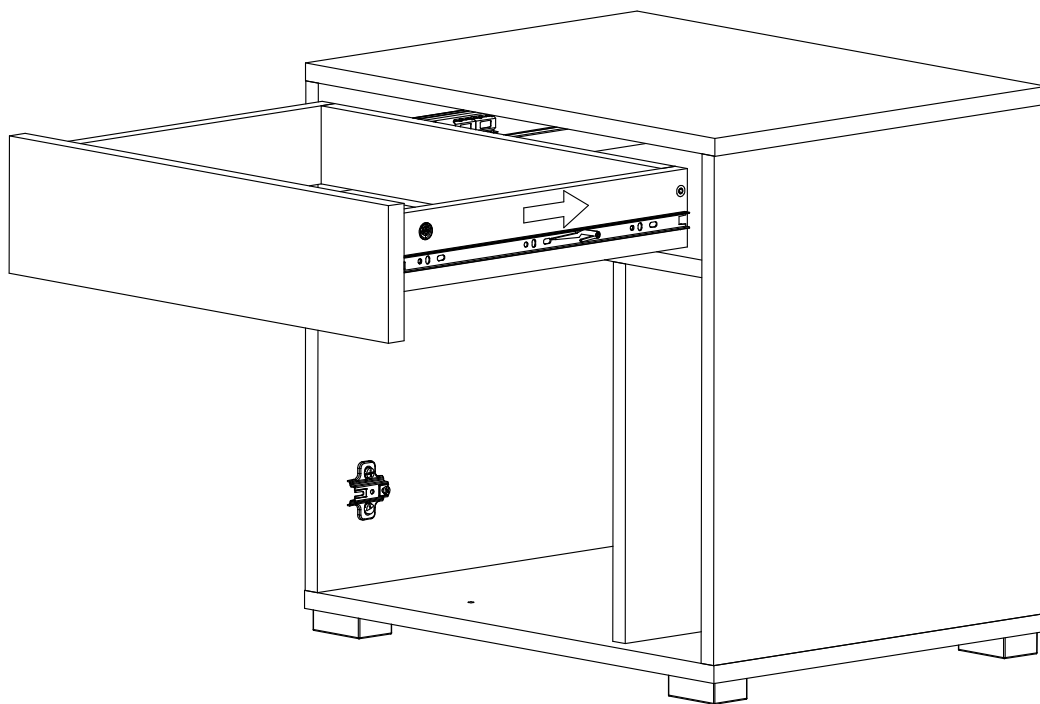
15.



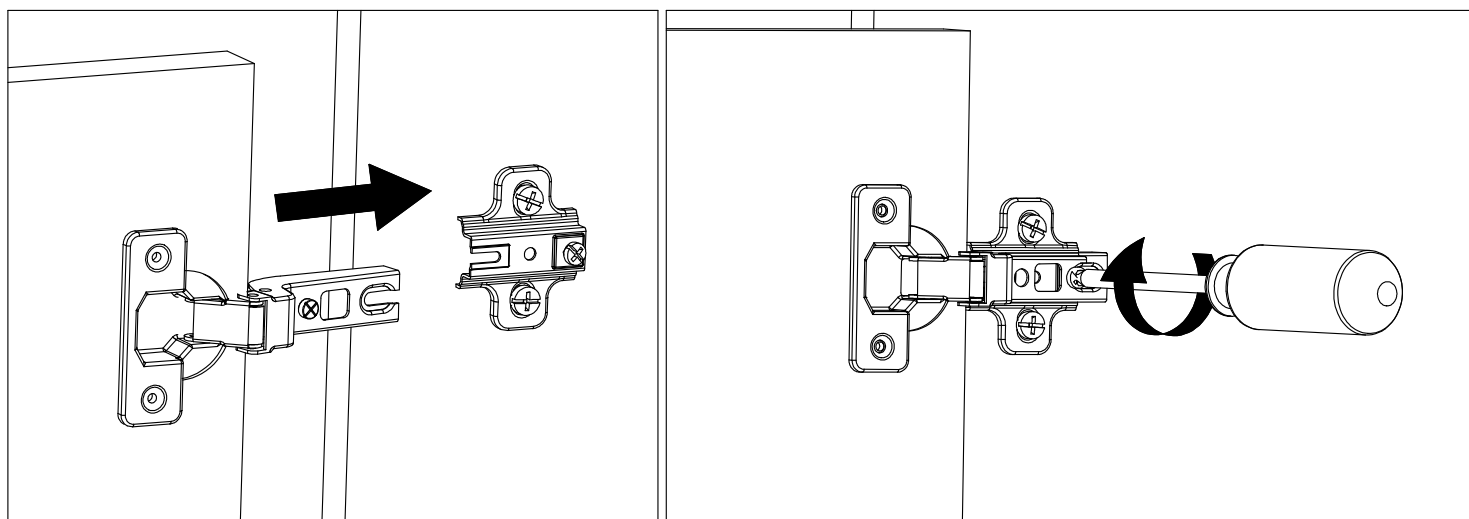
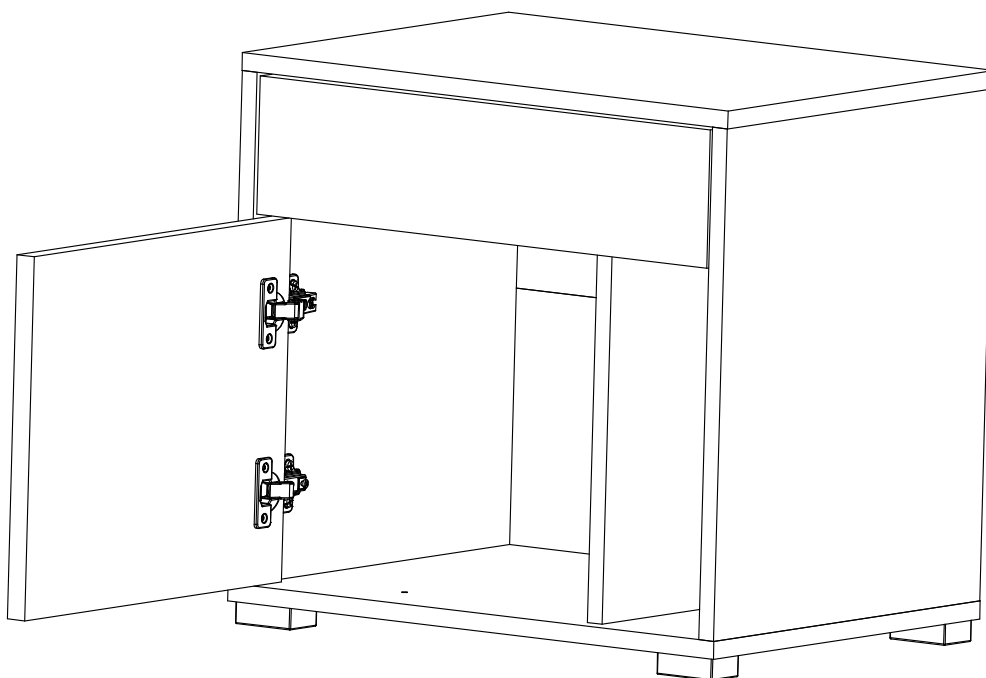
16.



17.

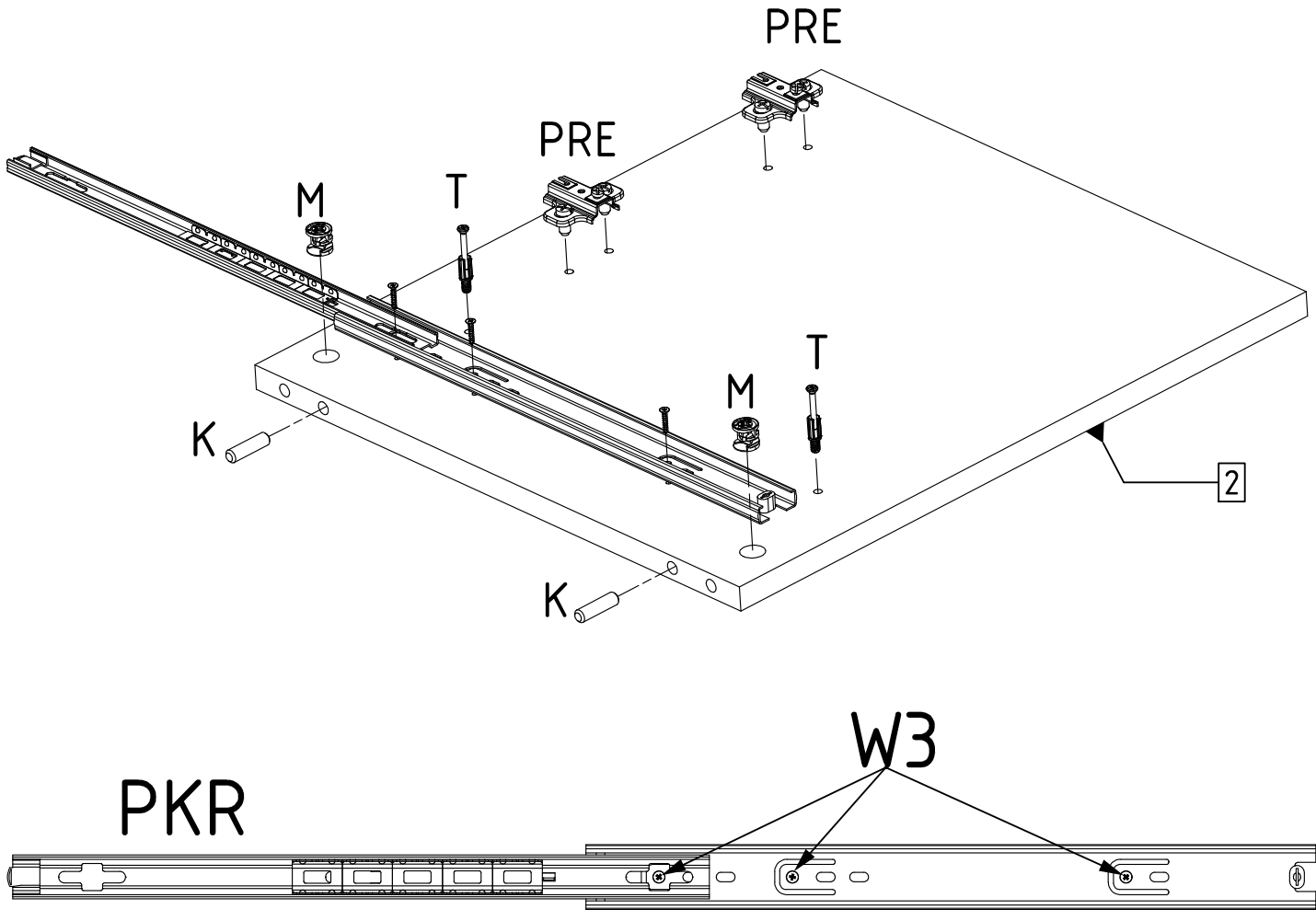
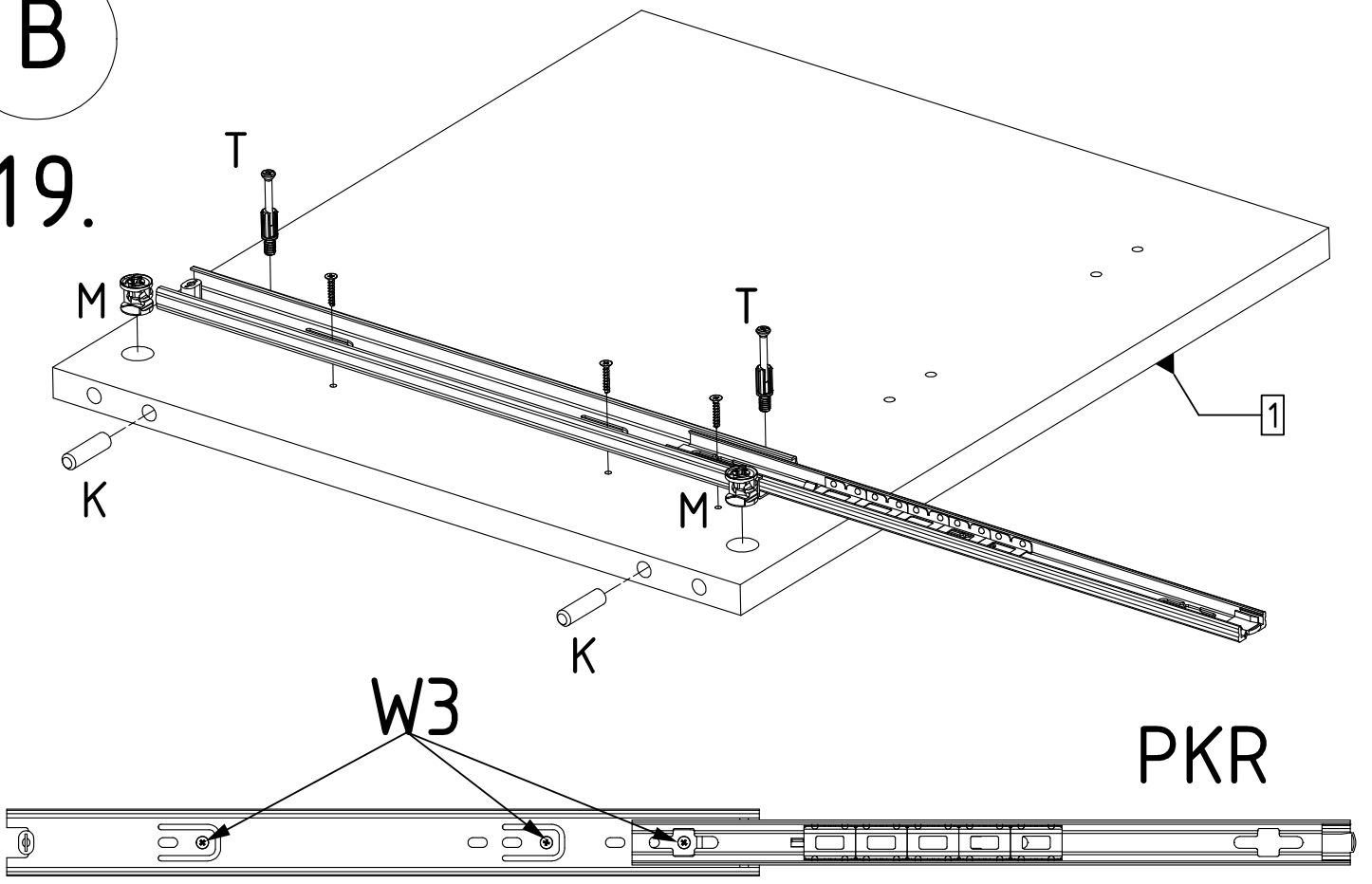


18.

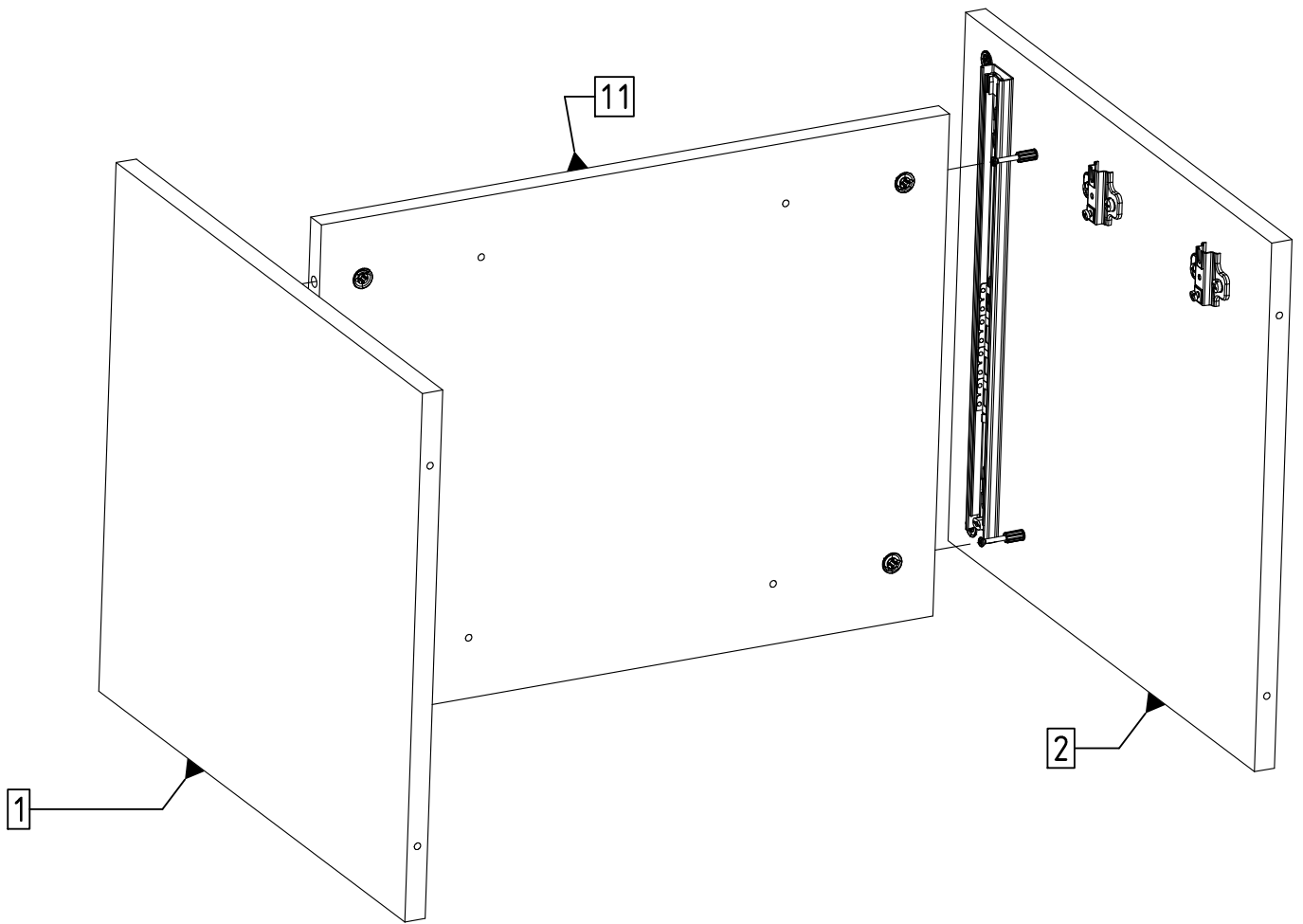


B

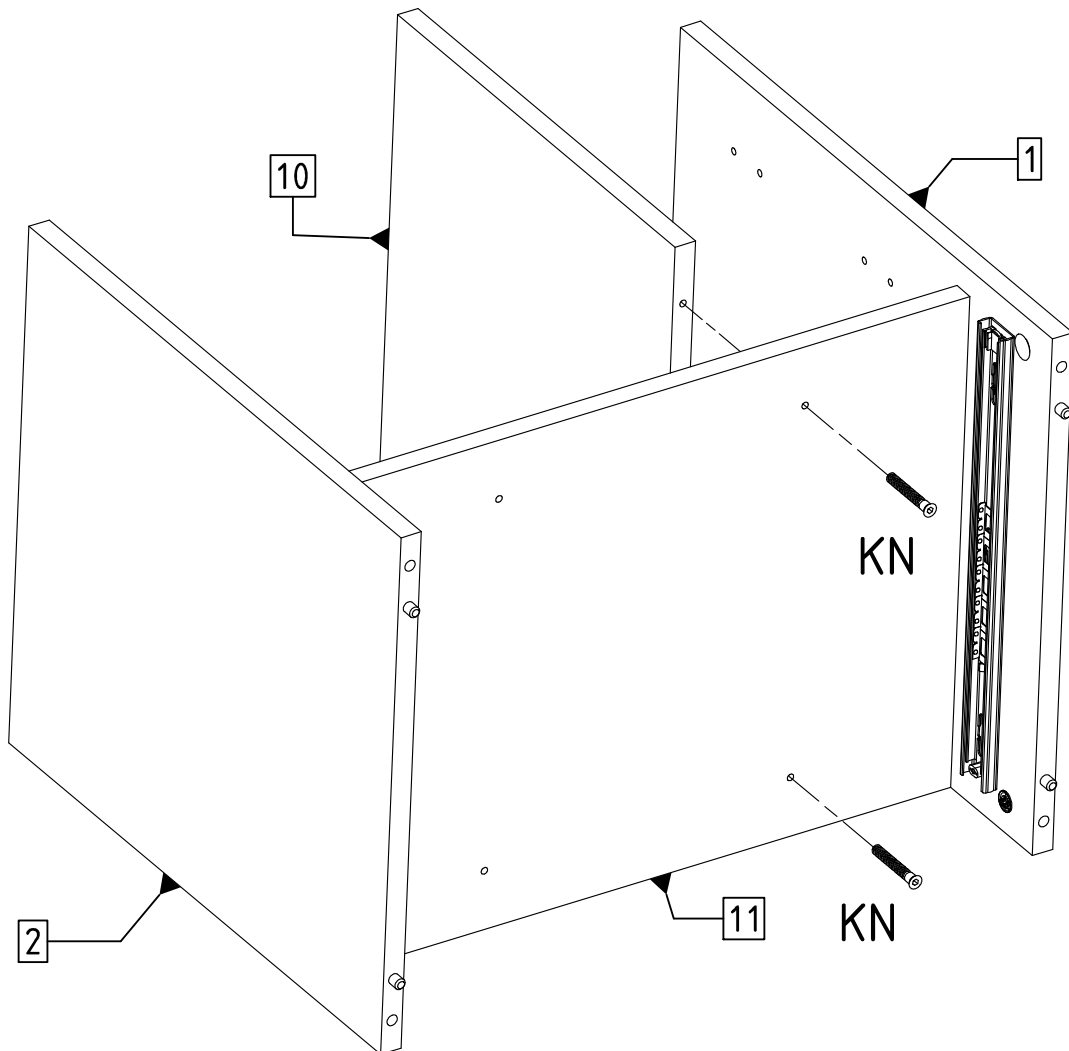
19.



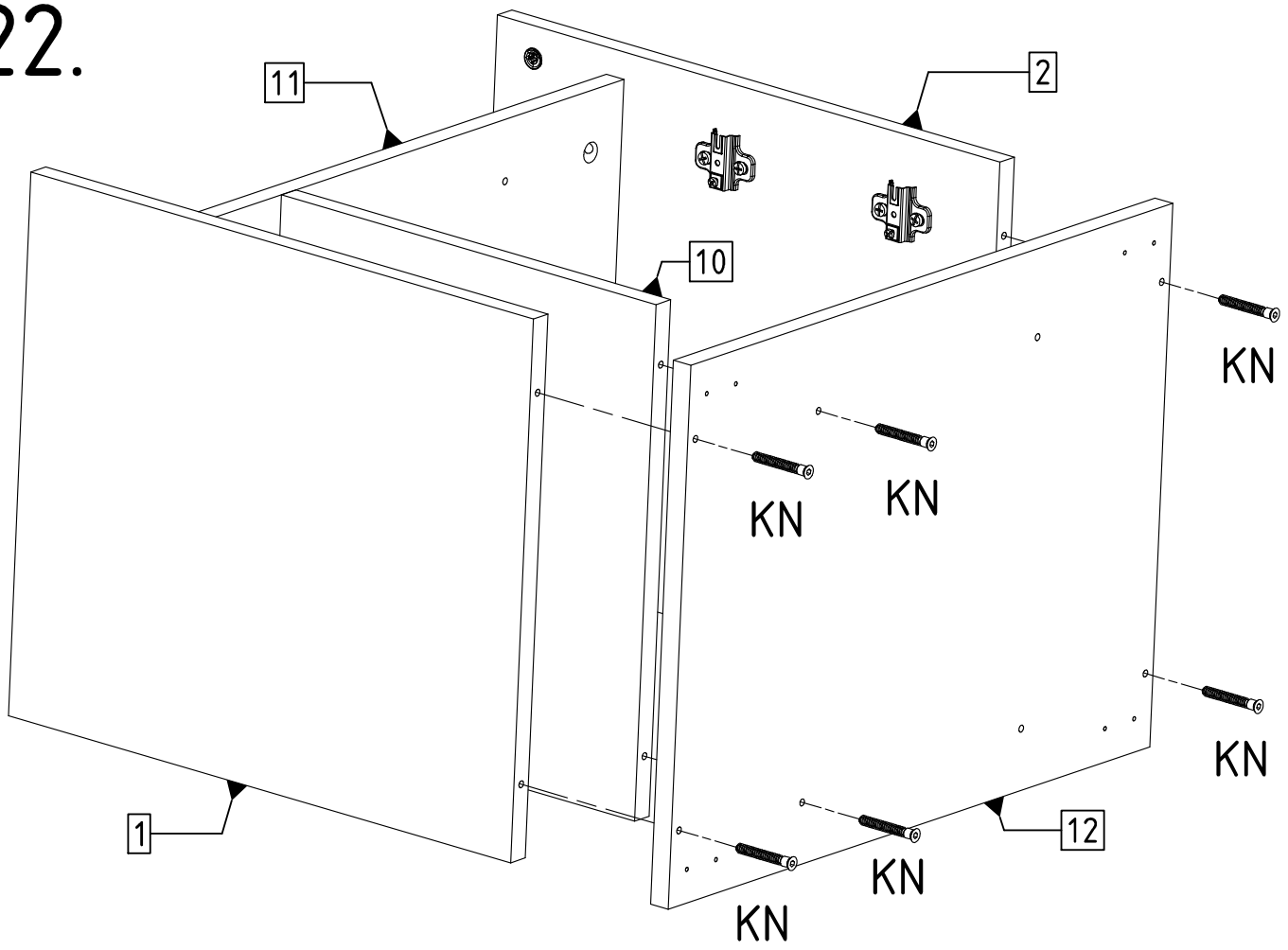
20.



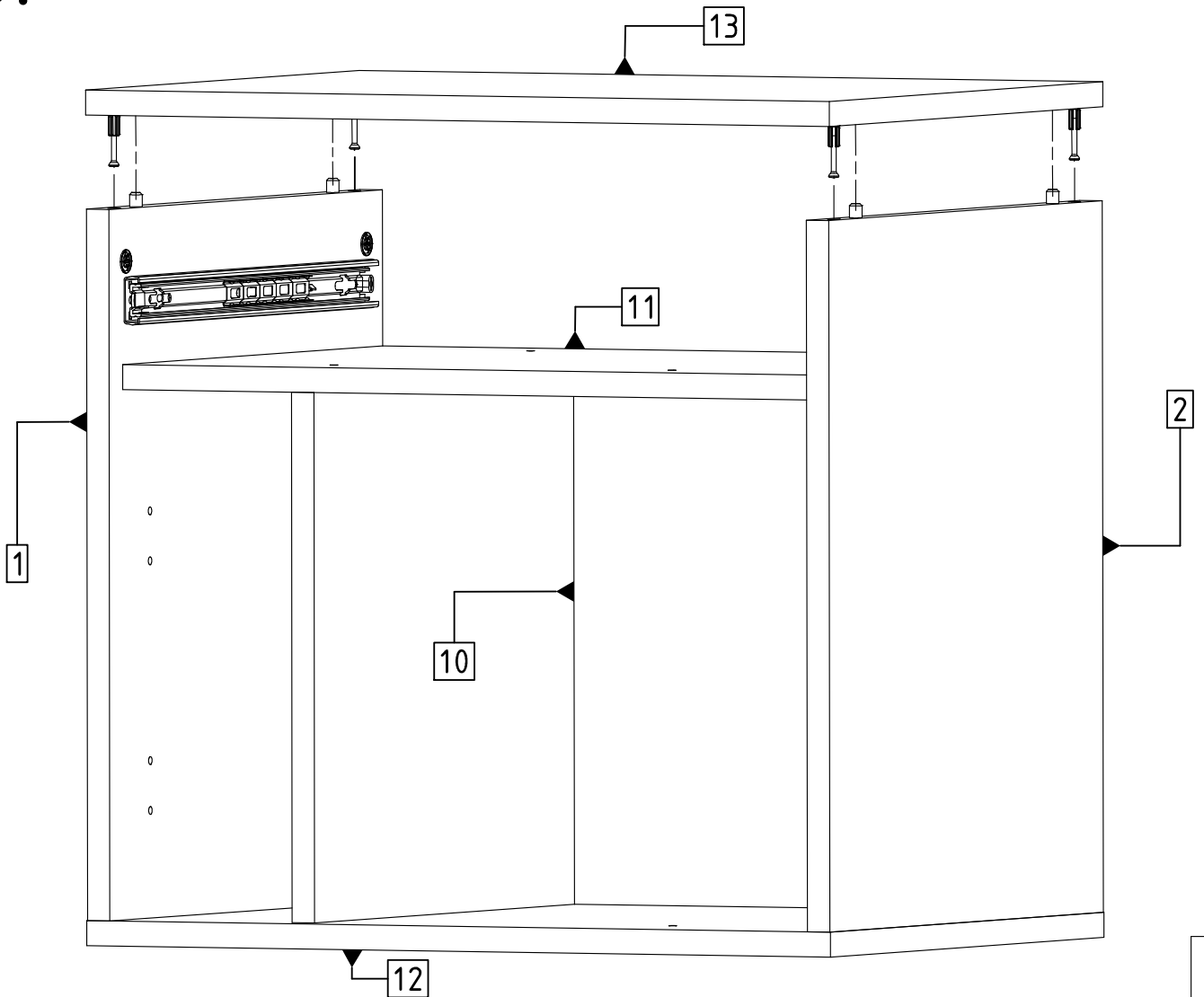
21.



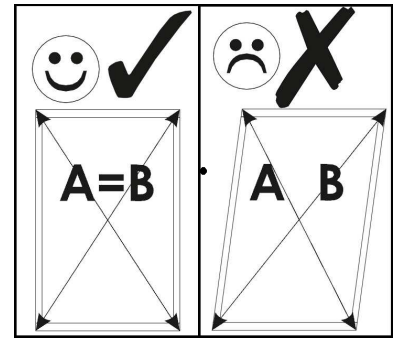
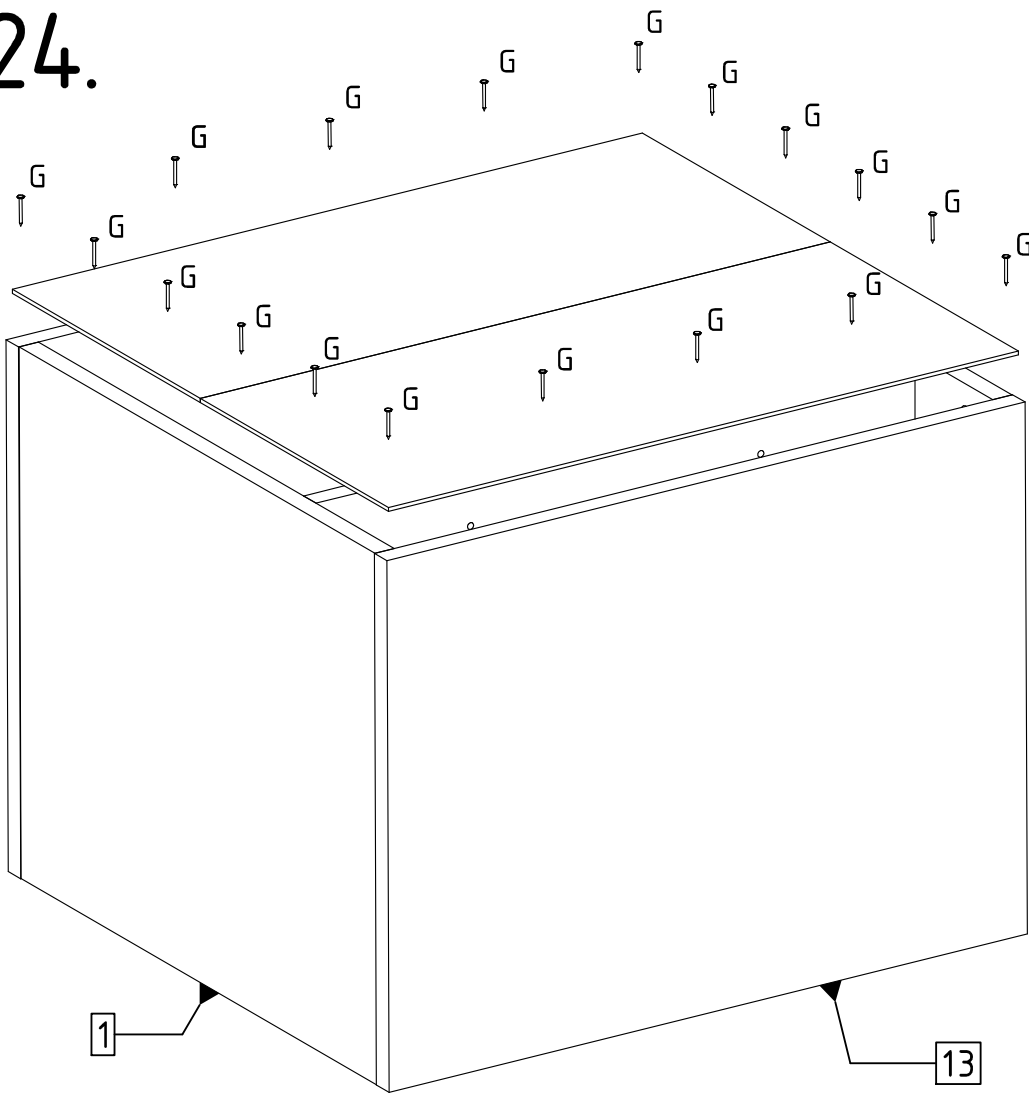
22.



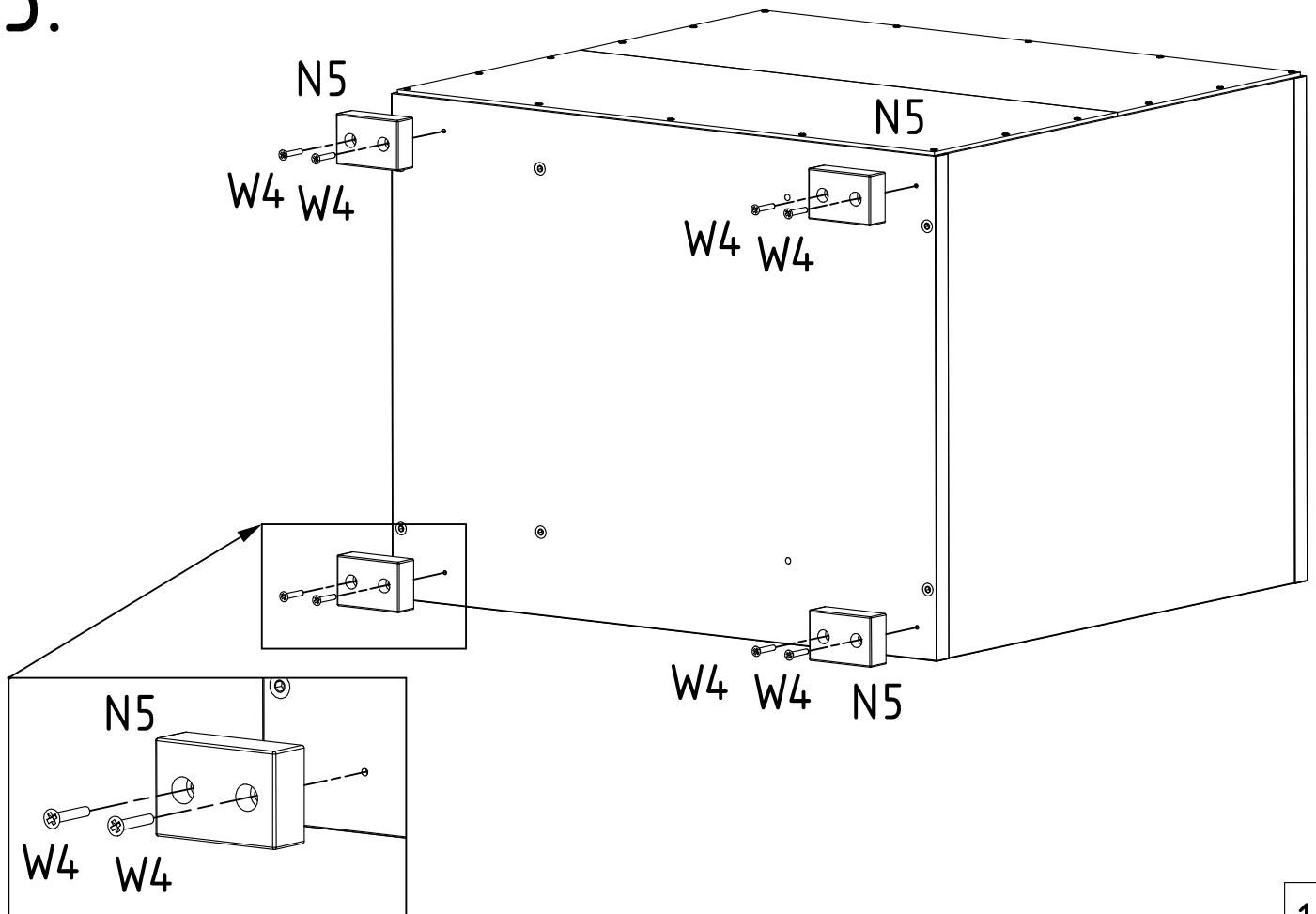
23.



24.

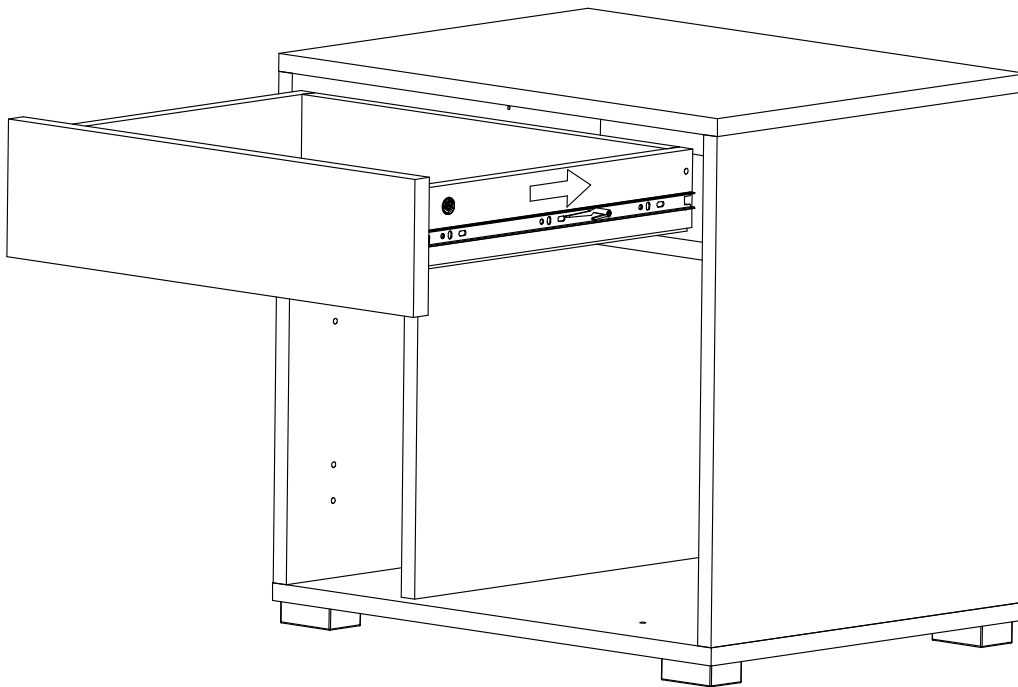


25.

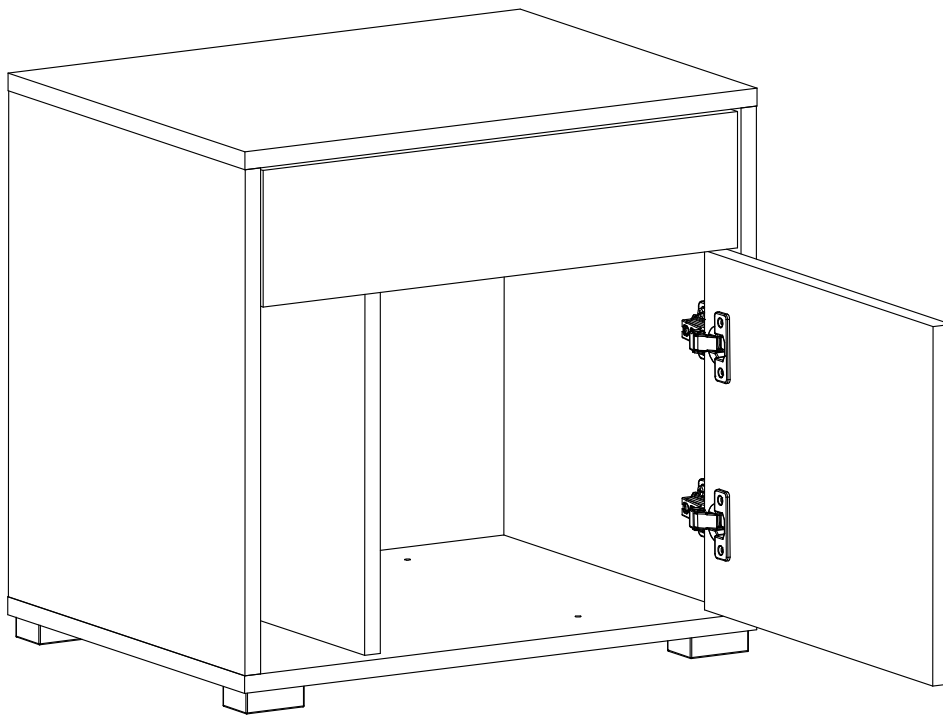




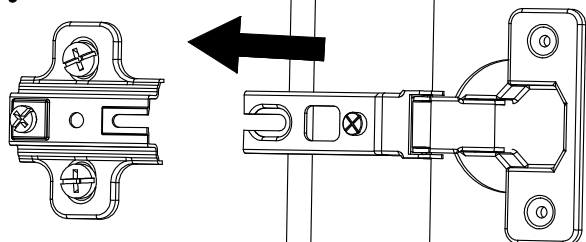
26.



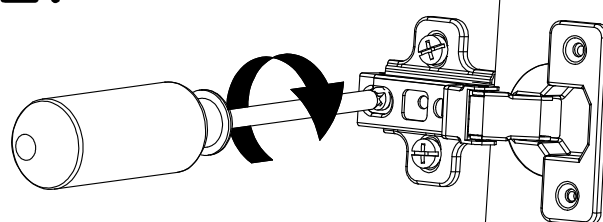
27.



1.



2.



max.  
5kg

