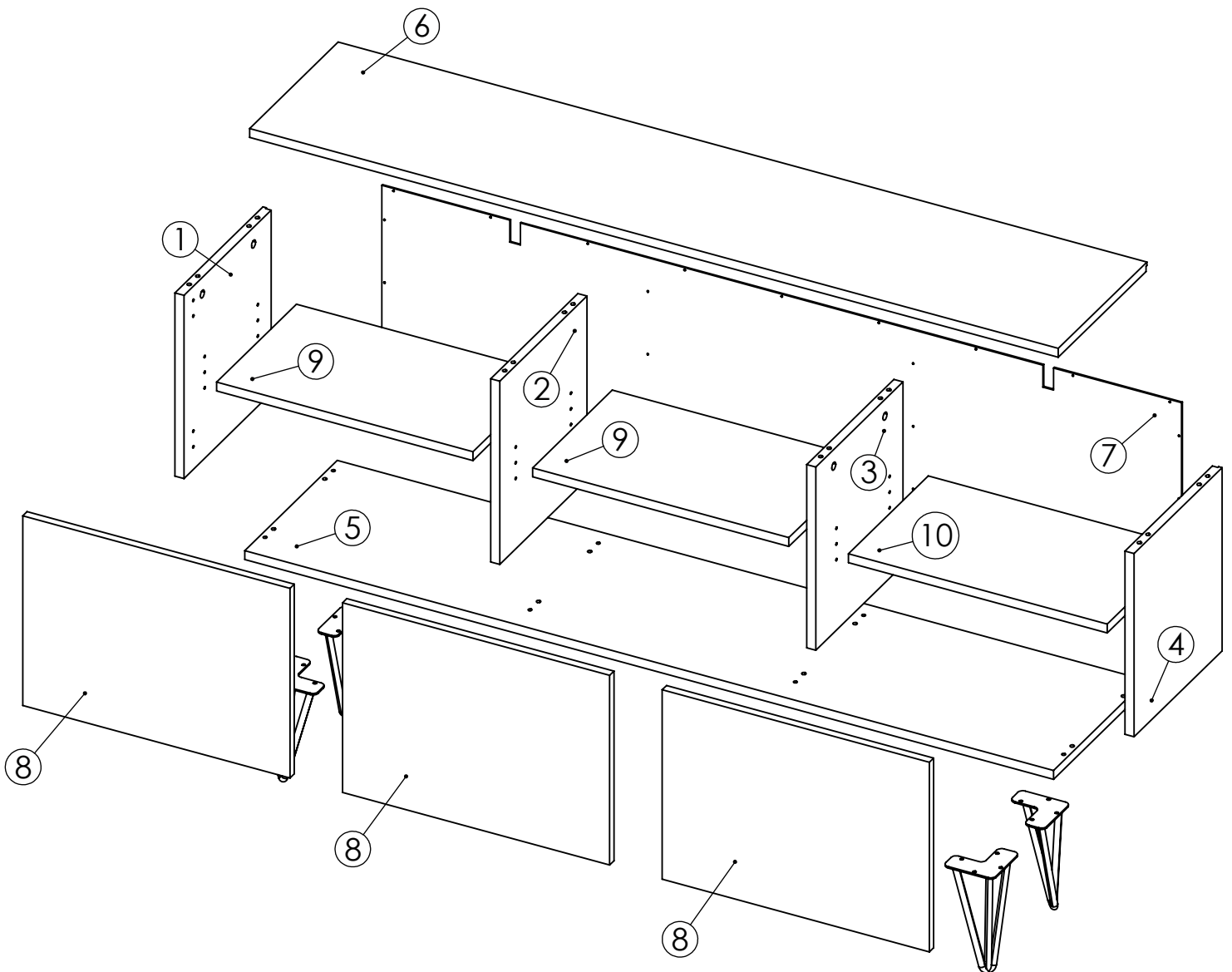
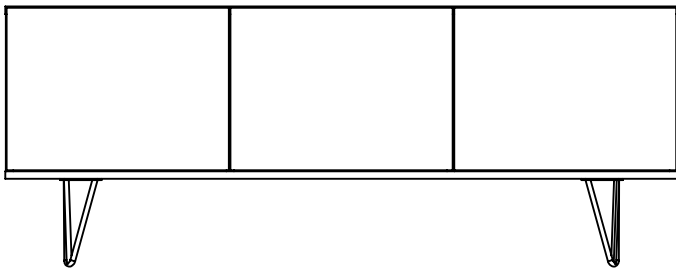


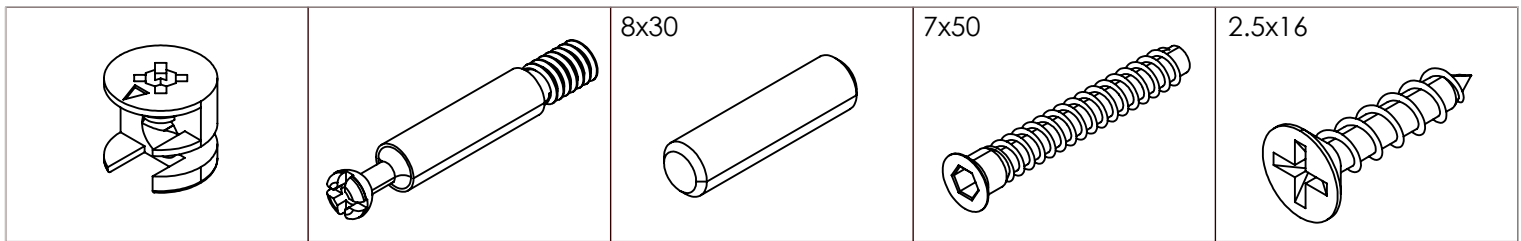
KRIS 3D SIDEBOARD

11-04-2022

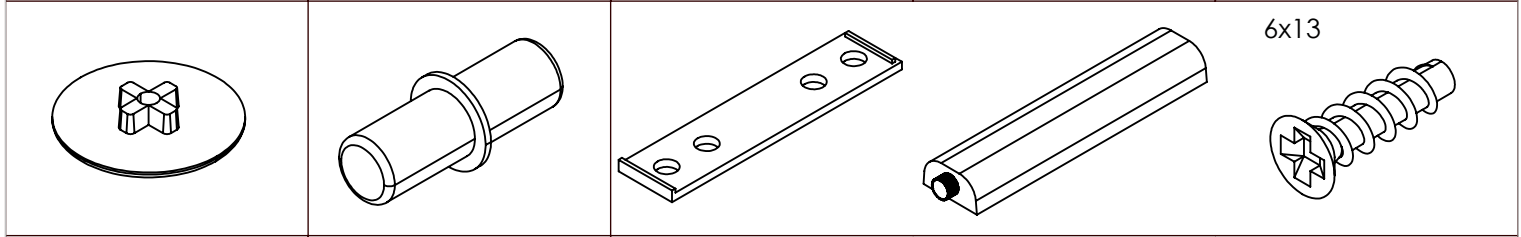
605 38 11 - WHITE

605 38 10 - BLACK

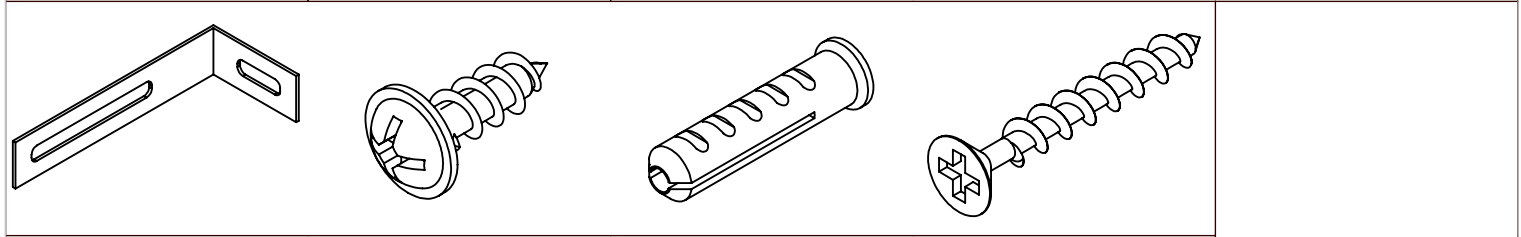




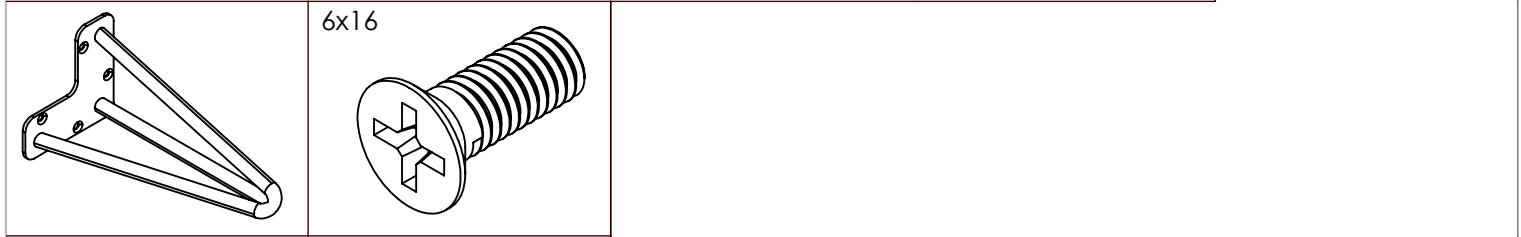
A x 8	B x 8	Cx16	D x 8	E x 30
-------	-------	------	-------	--------



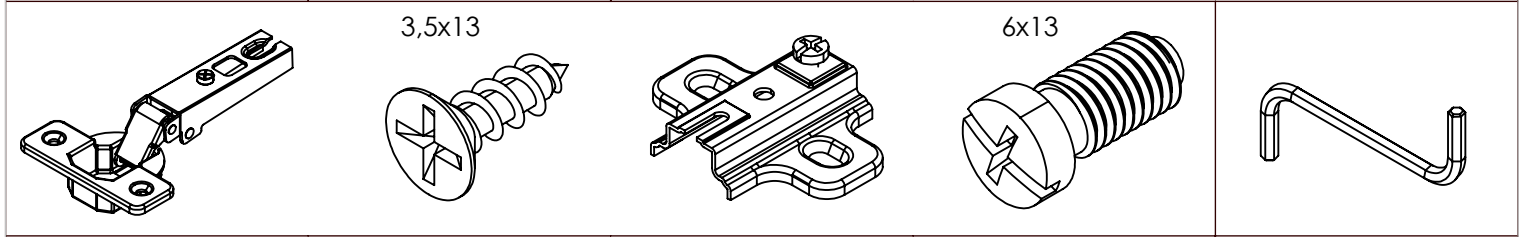
F x 8	G x 12	H1 x 3	H2 x 3	H3 x 6
-------	--------	--------	--------	--------



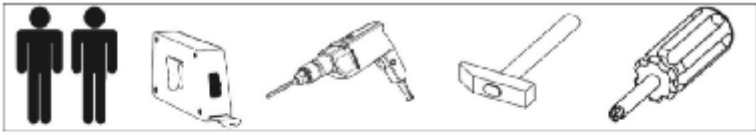
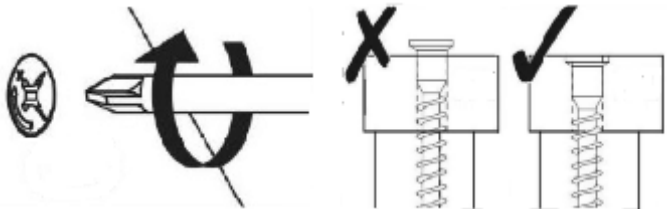
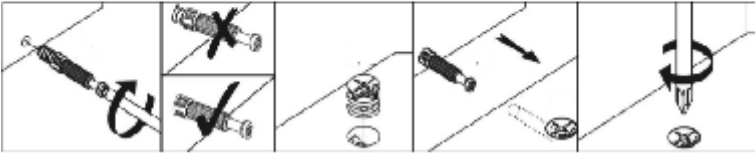

I1 x 2	I2 x 2	I3 x 2	I4 x 2	
--------	--------	--------	--------	--



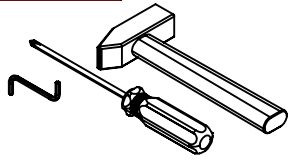
J1 x 4	J2 x 16	
--------	---------	--



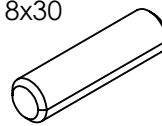
K1 x 6	K2 x 12	K3 x 6	K4 x 12	IMBUS
--------	---------	--------	---------	-------

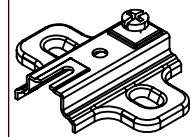
STEP - 1



8x30

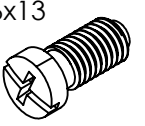


Cx16

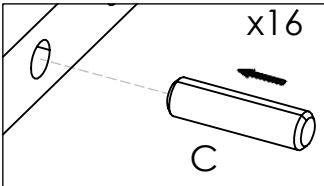
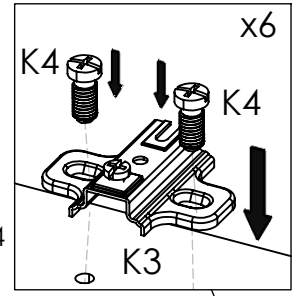
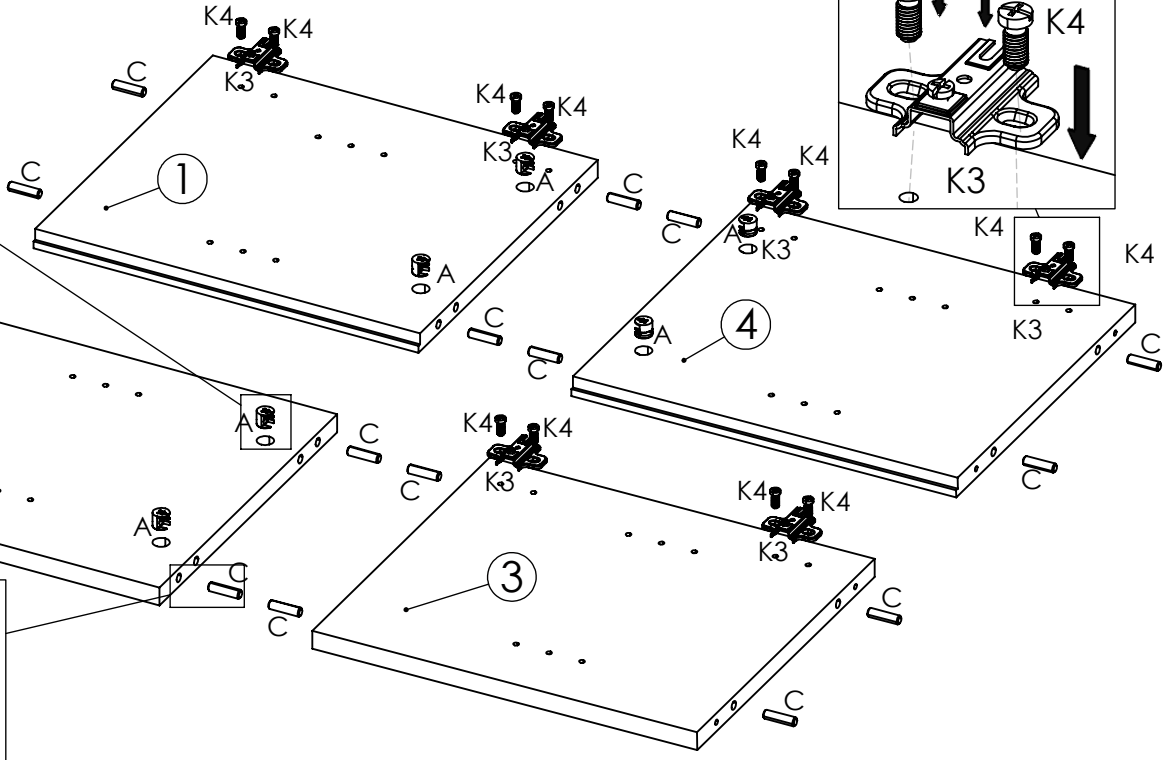
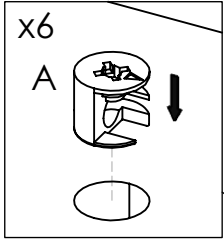


K3x6

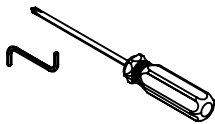
6x13



K4x12

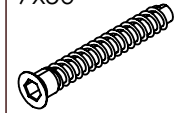


STEP - 2

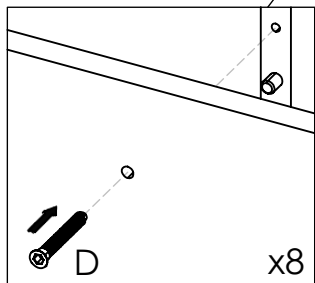
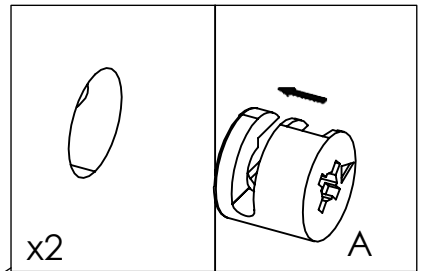
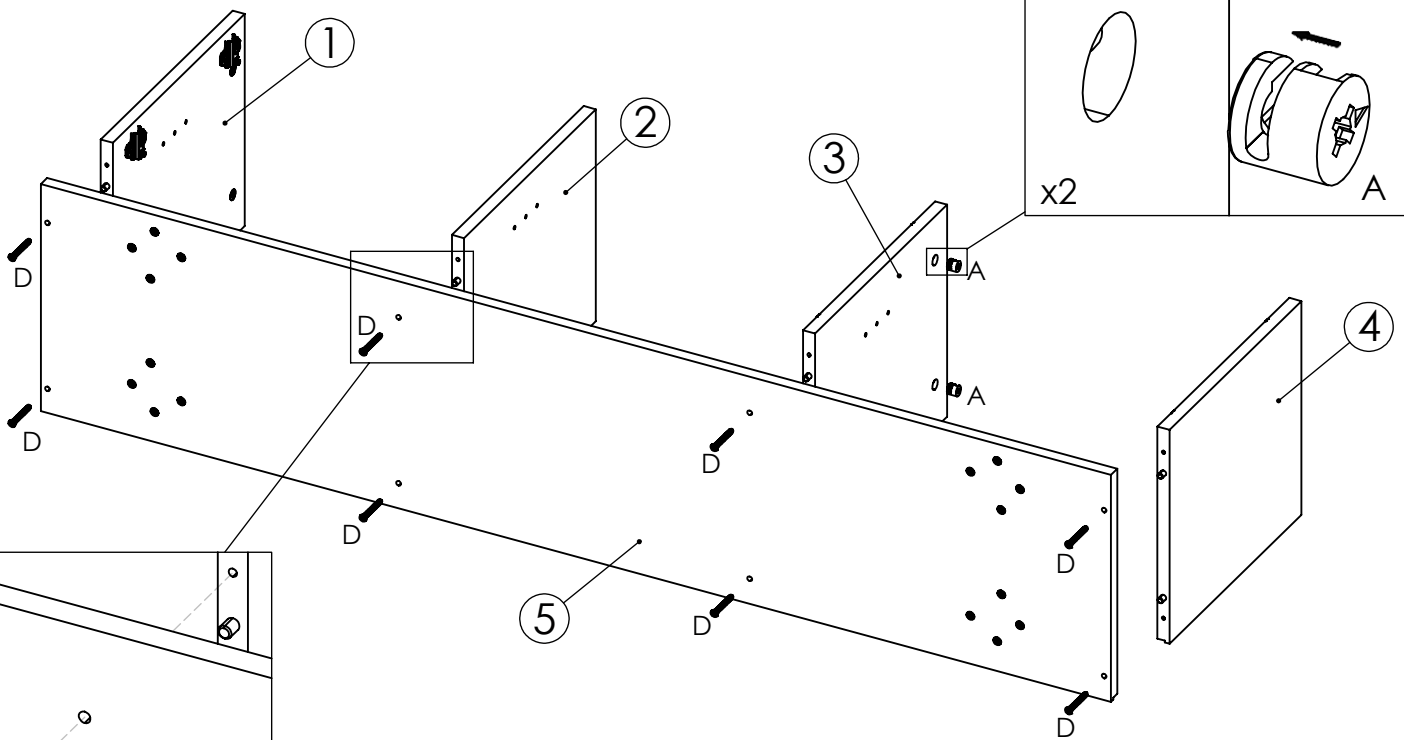


Ax2

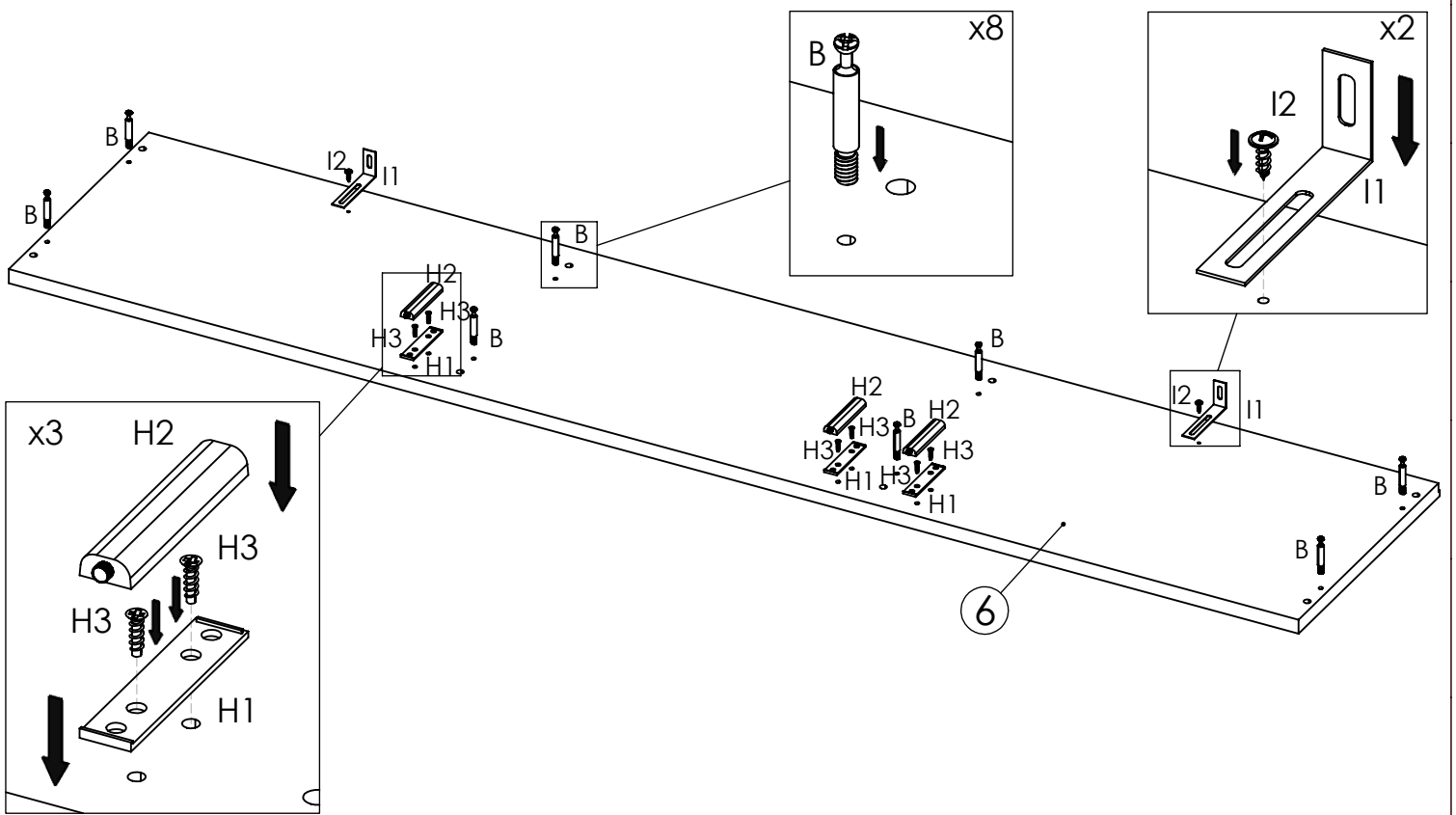
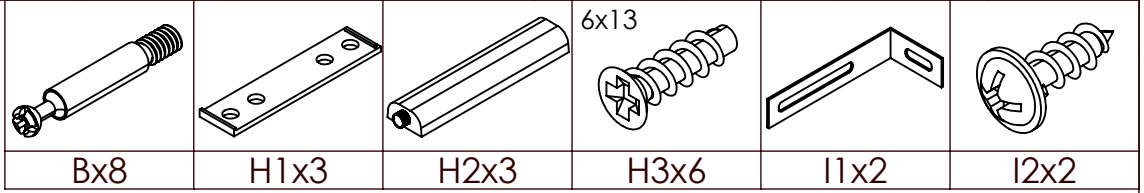
7x50



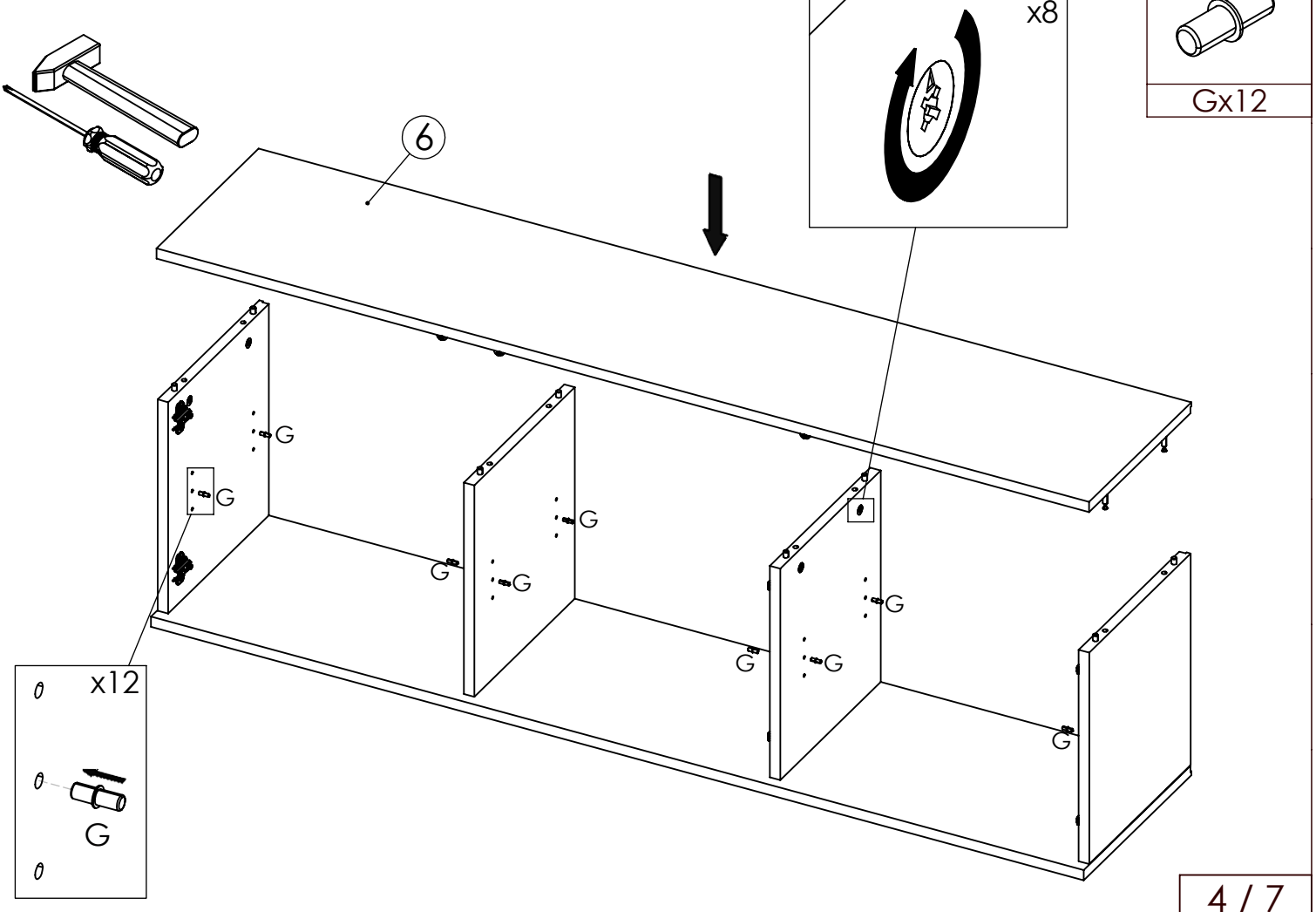
Dx8



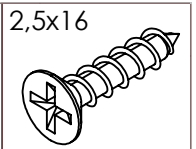
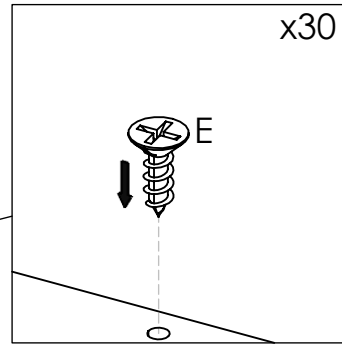
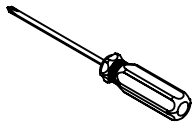
STEP - 3



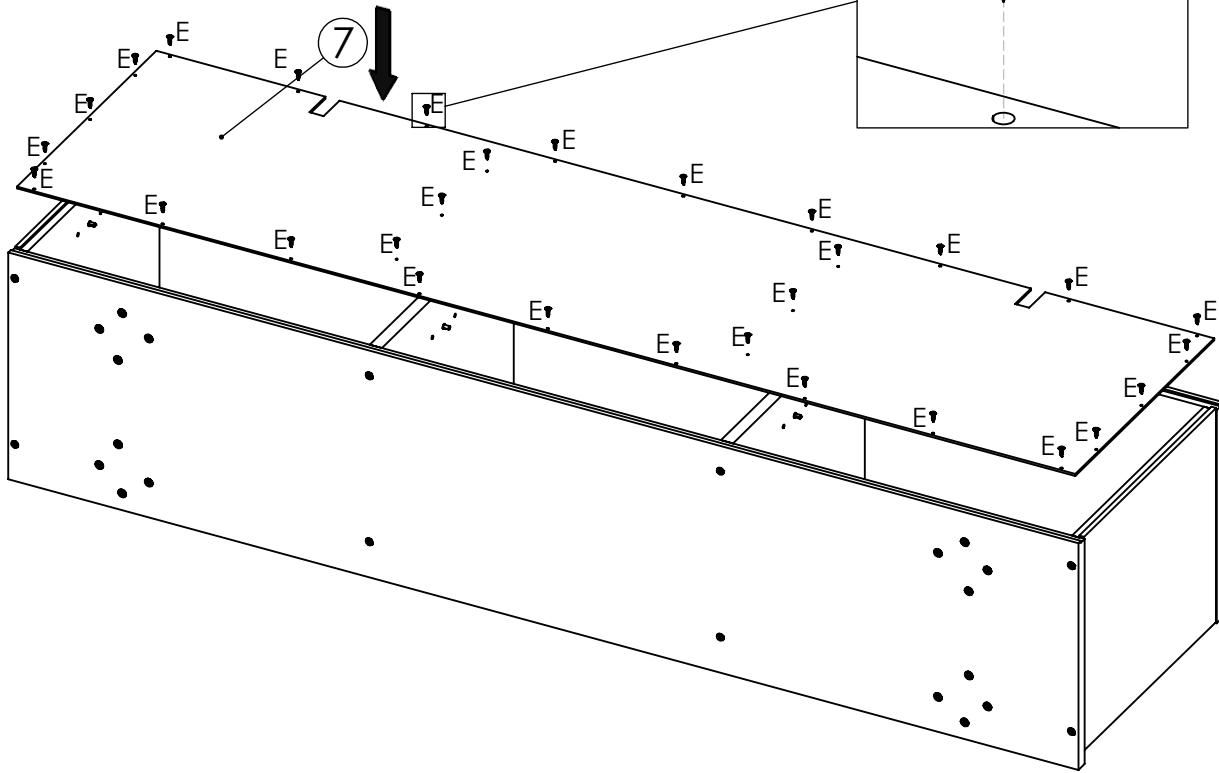
STEP - 4



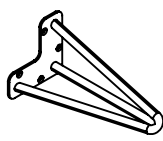
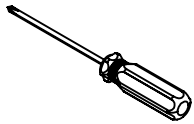
STEP - 5



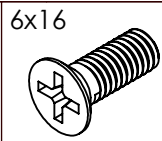
Ex30



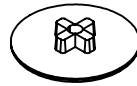
STEP - 6



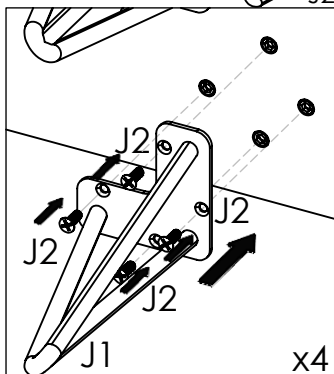
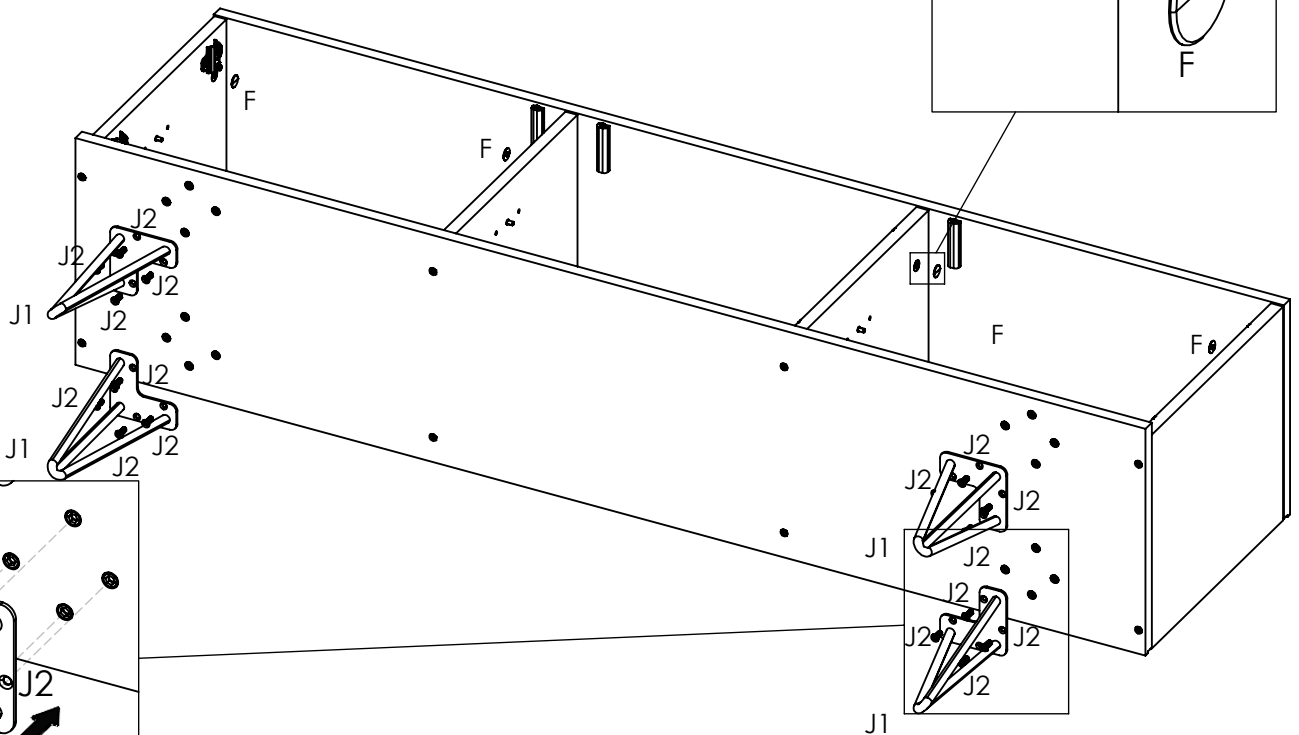
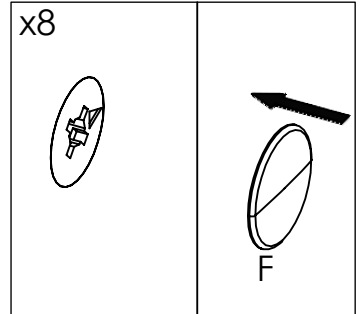
J1x4



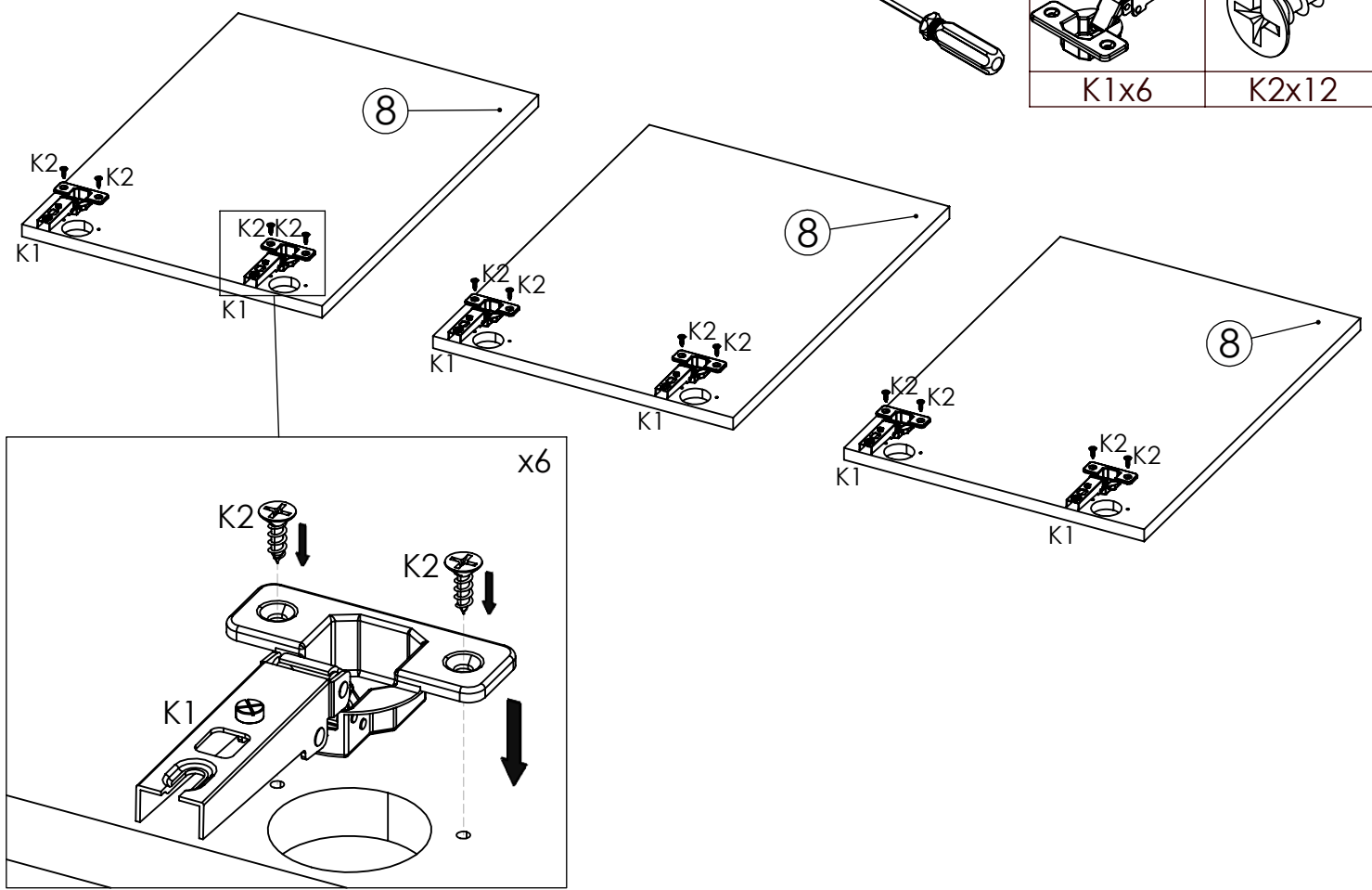
J2x16



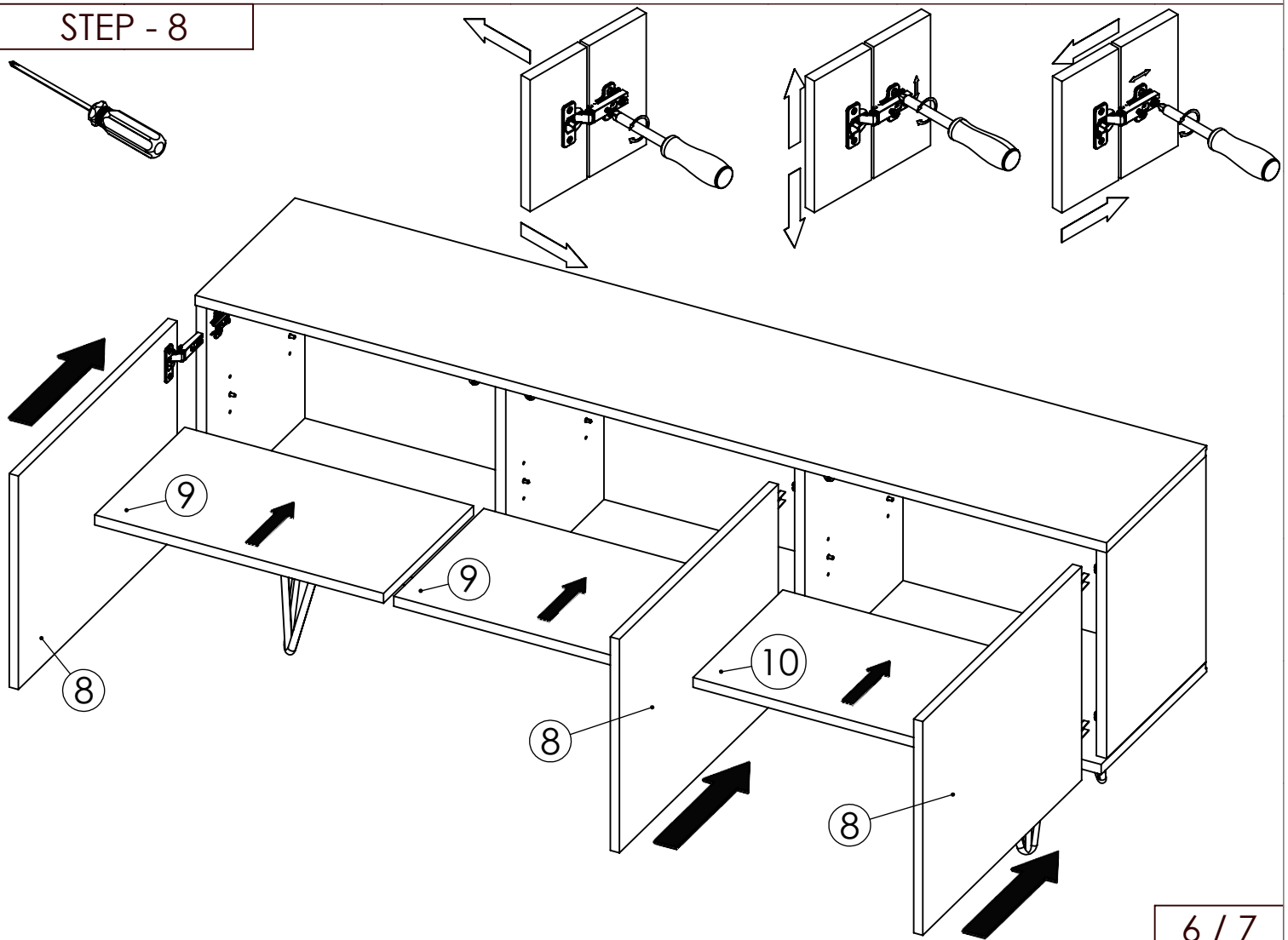
Fx8



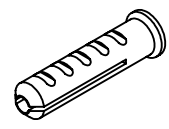
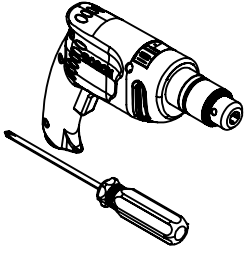
STEP - 7



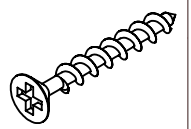
STEP - 8



STEP - 9



13x2



14x2

