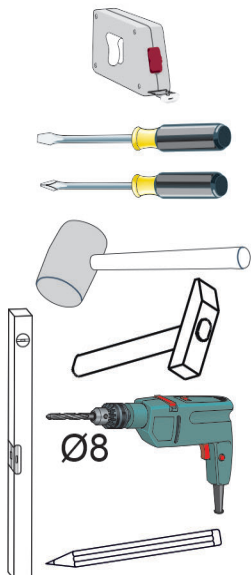
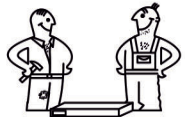


Model: *VENUS KOMODA 3D*  
 Modell: *VENUS KOMODA 3D*

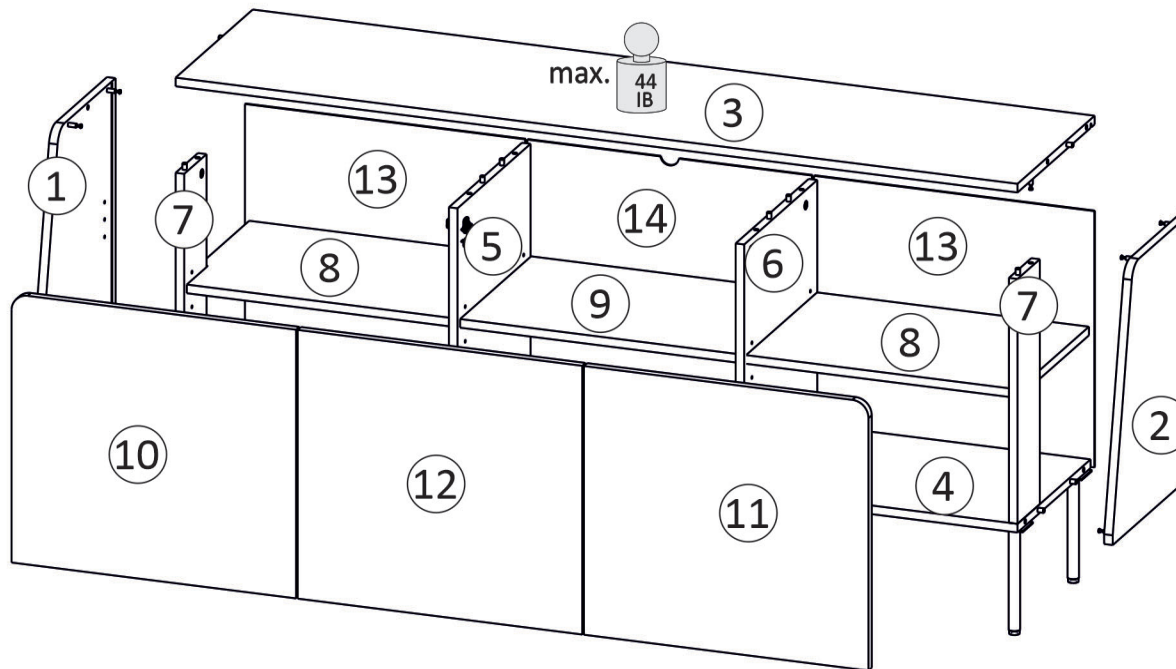
Strona: **1/12**  
 Blatt Nr: **1/12**

**PL INSTRUKCJA MONTAŻOWA**  
**D MONTAGEANLEITUNG**  
**GB ASSEMBLY INSTRUCTIONS**

Do montażu potrzebne są:  
 Für die Montage dieser Type benötigen Sie:



8 9 max. 8 IB

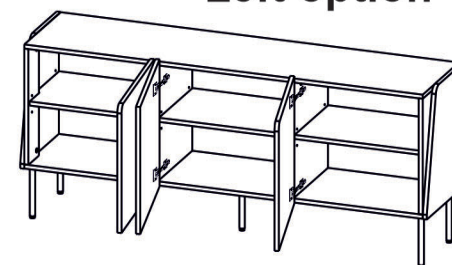


**D** Sehr geehrter Kunde, sollte ein Teil fehlen oder beschädigt sein, kreuzen Sie bitte dieses deutlich auf der Montageanleitung an und schicken Sie zu uns ab.  
**GB** Dear customer, Should there be any place missing or damaged, kindly mark this place clearly on the attached assembly instructions and return it to us.  
**PL** Szanowny Kliencie, gdyby brakowało jakiejś części lub byłaby uszkodzona proszę to oznaczyć krzyżykiem na instrukcji montażowej i przesłać instrukcję razem z reklamacją.

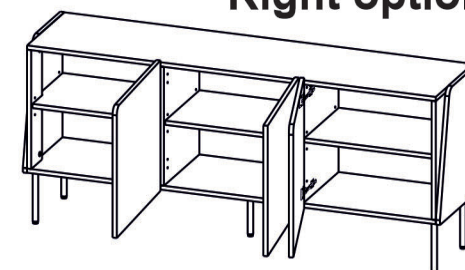
**Pflegehinweis!**  
 Bitte nur mit einem Staubtuch oder einem fauchtem Lappen reinigen. KEINE scheuernde Putzmittel verwenden!

**Uwagi pielęgnacyjne!**  
 Proszę wycierać ściereczką do kurzu lub lekko wilgotną ścierką. Nie stosować ZADNYCH środków rysujących powierzchnie.

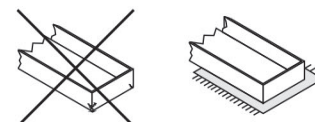
**Left option**



**Right option**



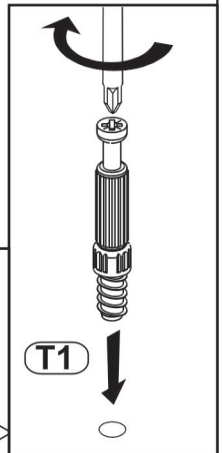
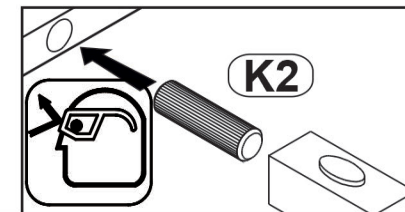
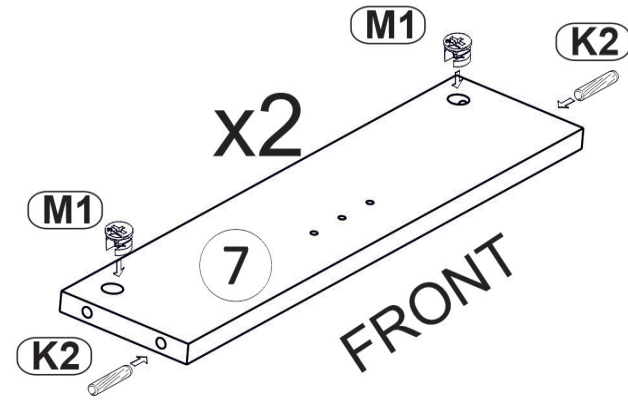
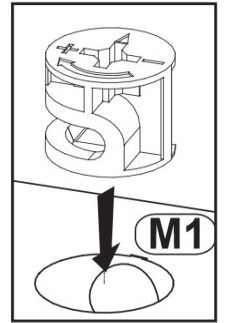
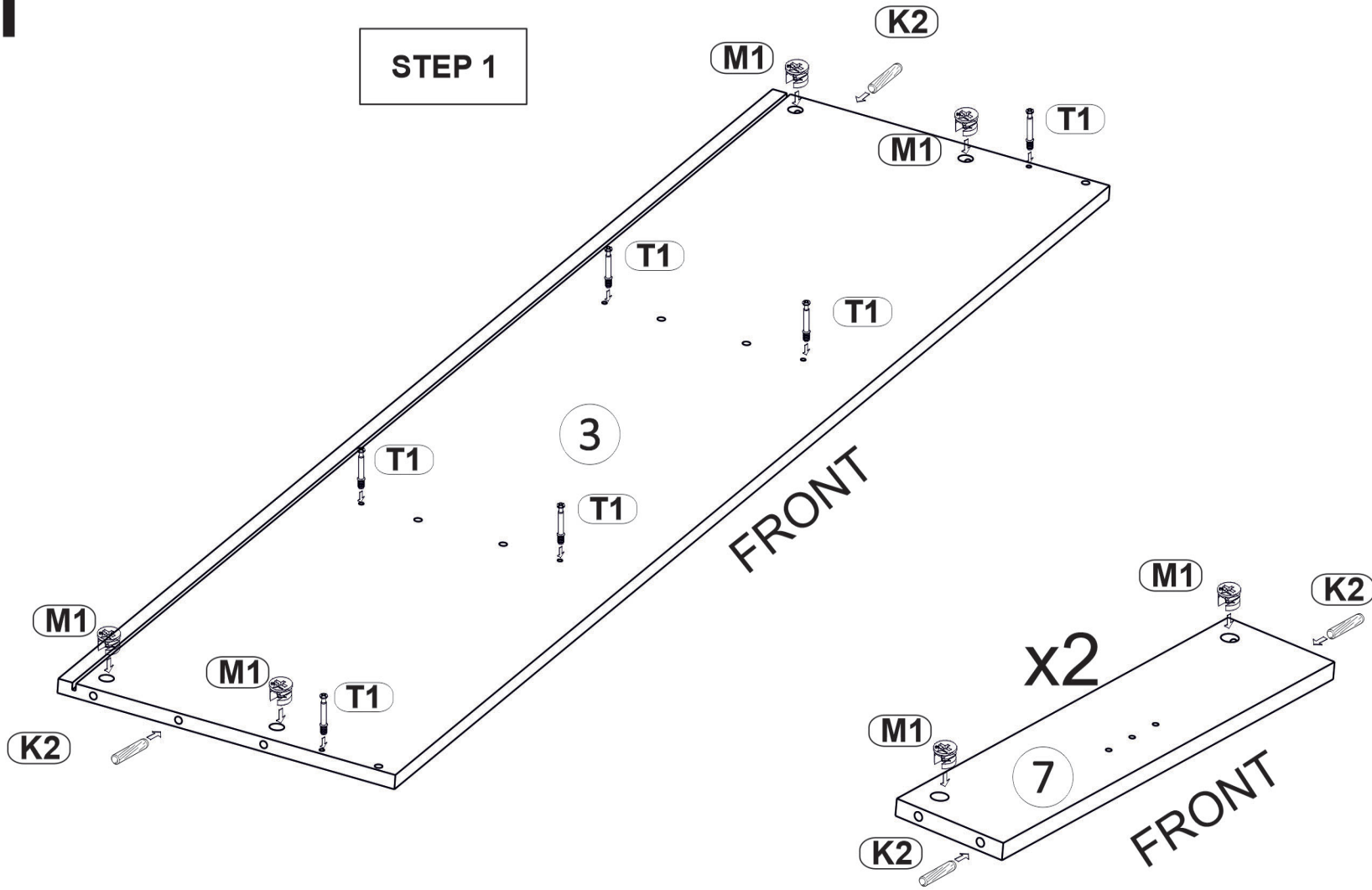
<b>1</b>	<b>K2</b> x18	<b>T1</b> x16	<b>M1</b> x16	<b>S10</b> US 3x18 x8	<b>P2</b> UP 3,5x18 x20	<b>W1</b> x12	<b>Z1</b> x8	<b>B1</b> x8	<b>K11</b> x4	<b>K7</b> x1
<b>2</b>	<b>Z8</b> x6	<b>S3</b> US 4x13 x12	<b>3</b>	<b>B5</b> x1	<b>4</b>	<b>ST 1</b> x4	<b>ST 2</b> x1	<b>P3</b> Up 4x16 x20		



Proszę montować mebel na kartonie!  
 Bitte das Möbel auf der Verpackung montieren.

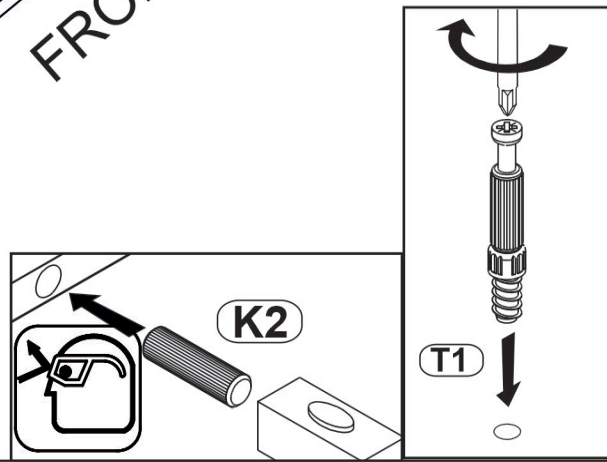
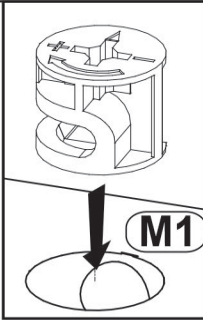
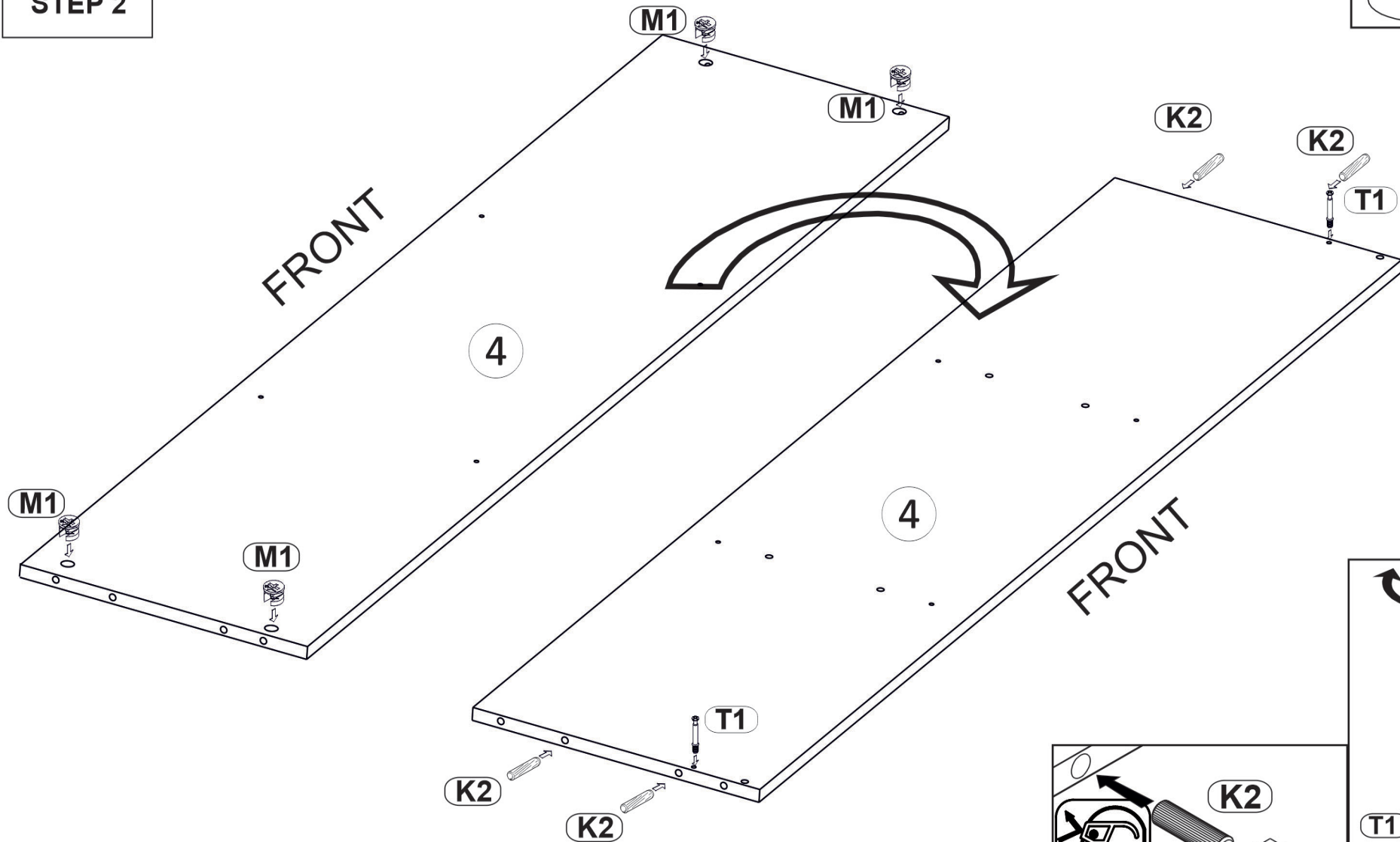
**1**

**STEP 1**



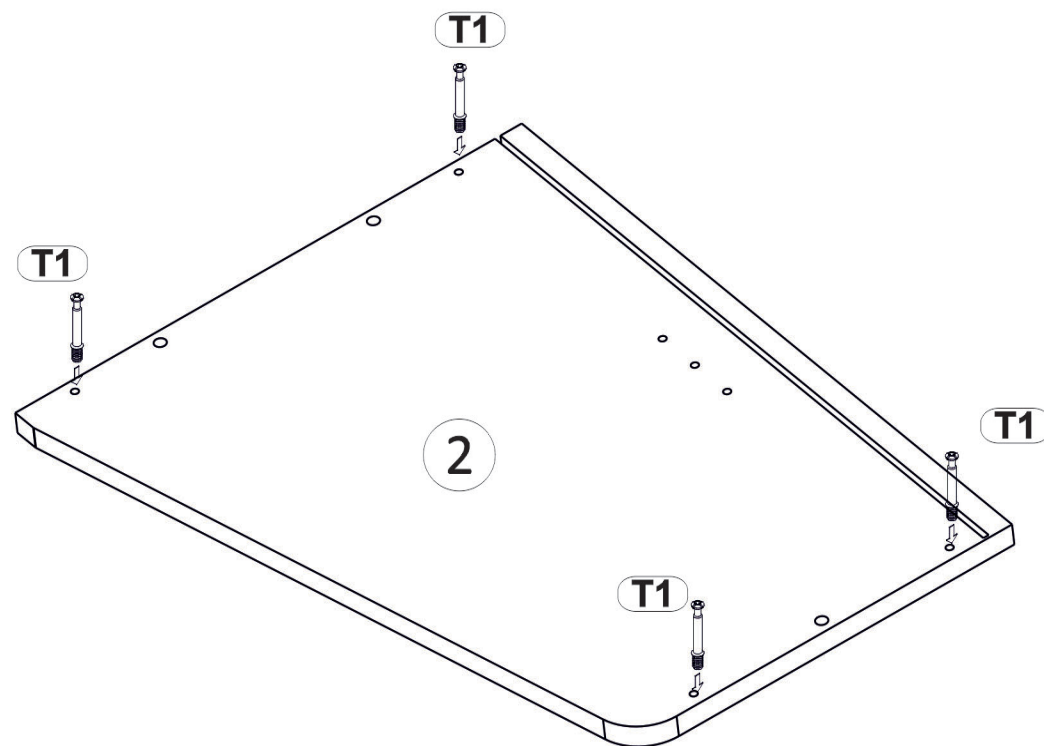
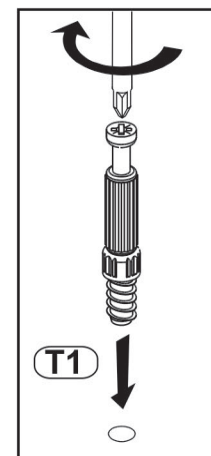
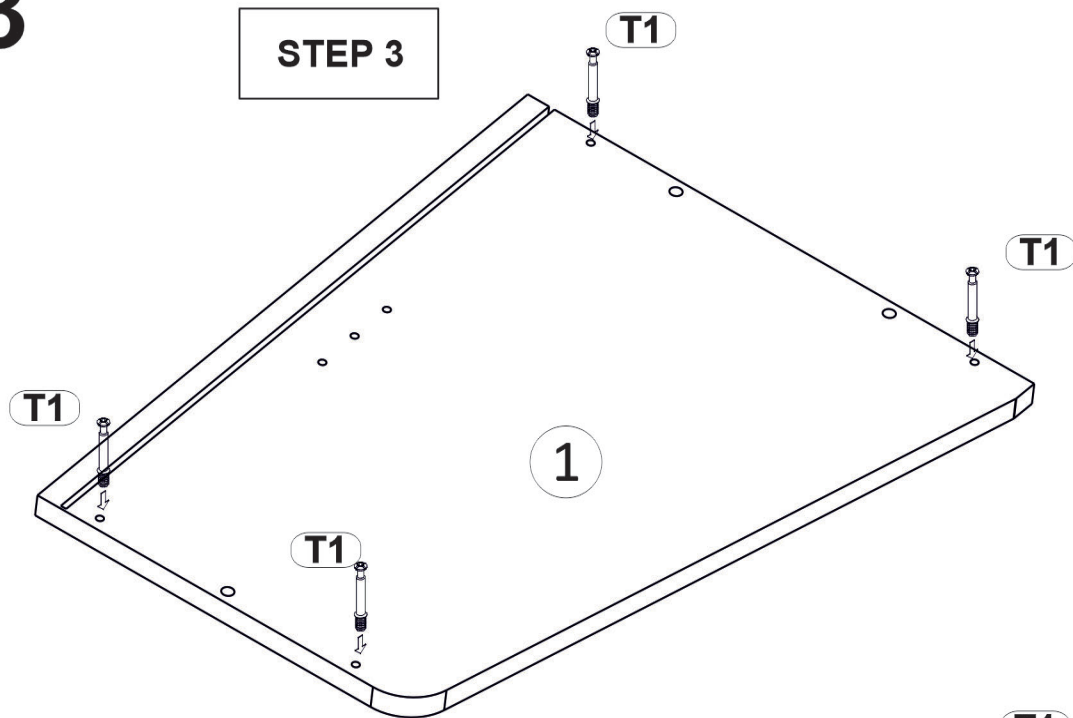
# 2

STEP 2



**3**

**STEP 3**

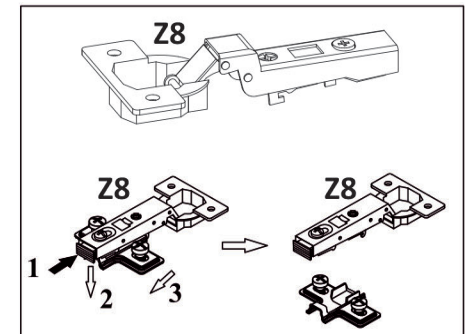
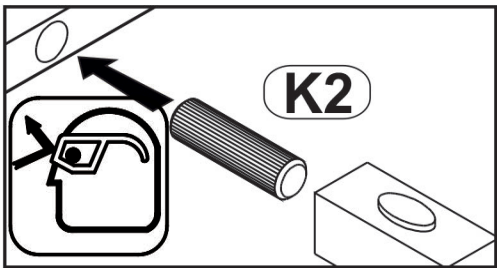
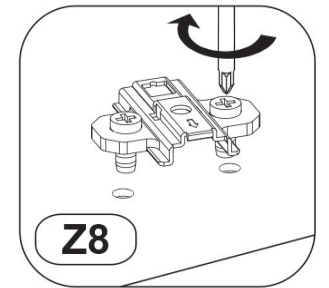
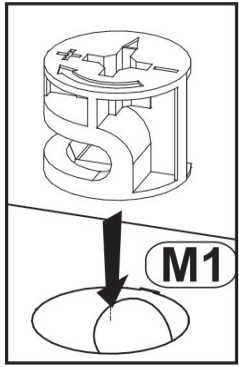
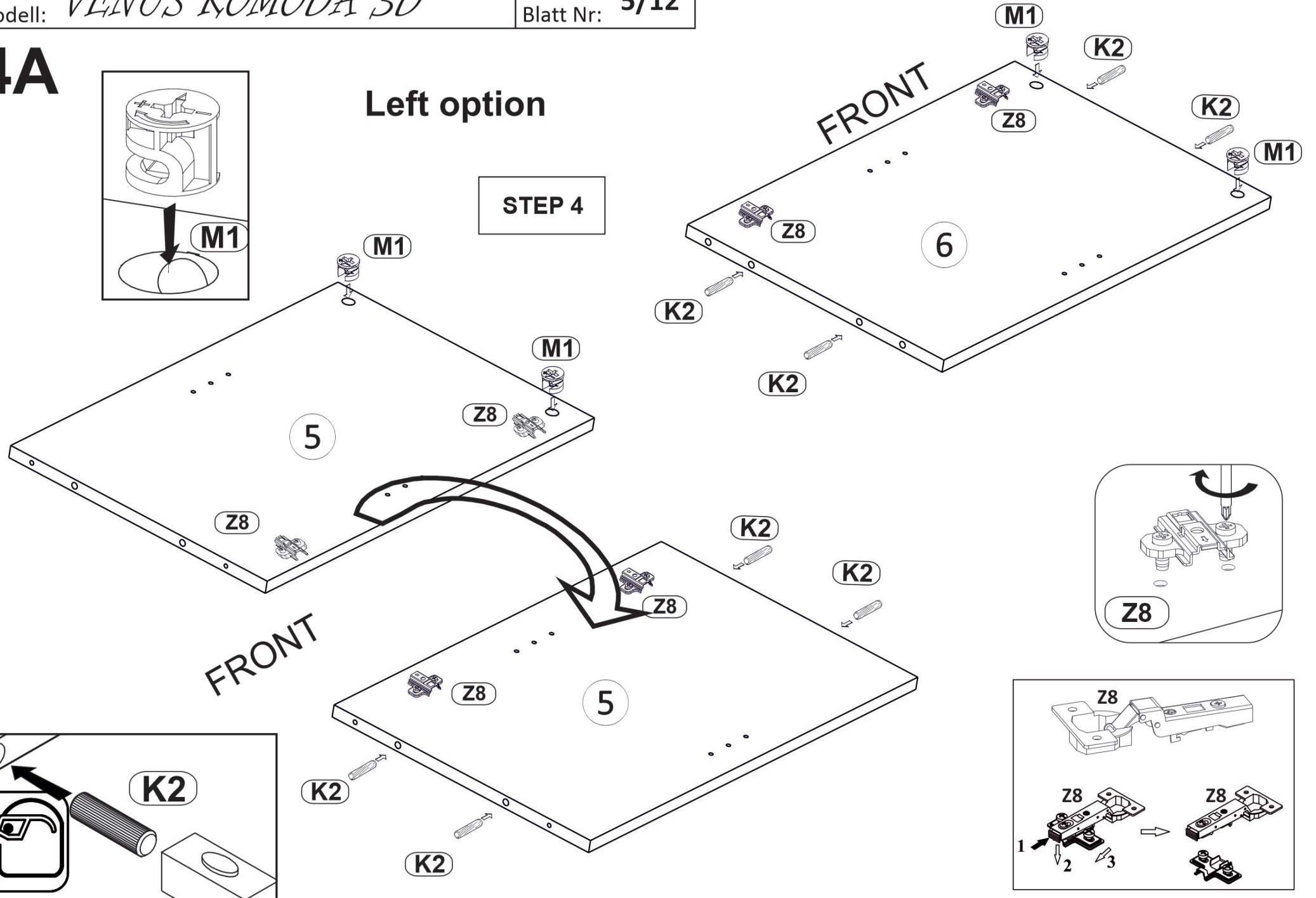




# 4A

## Left option

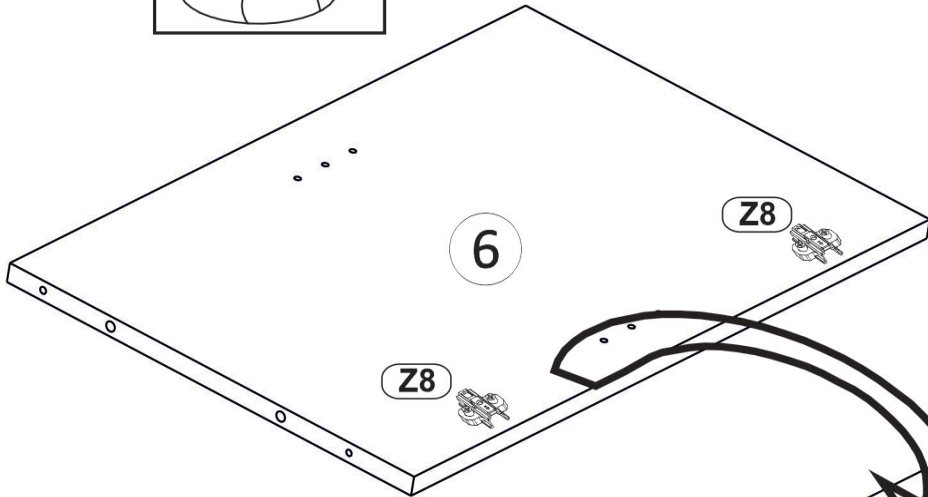
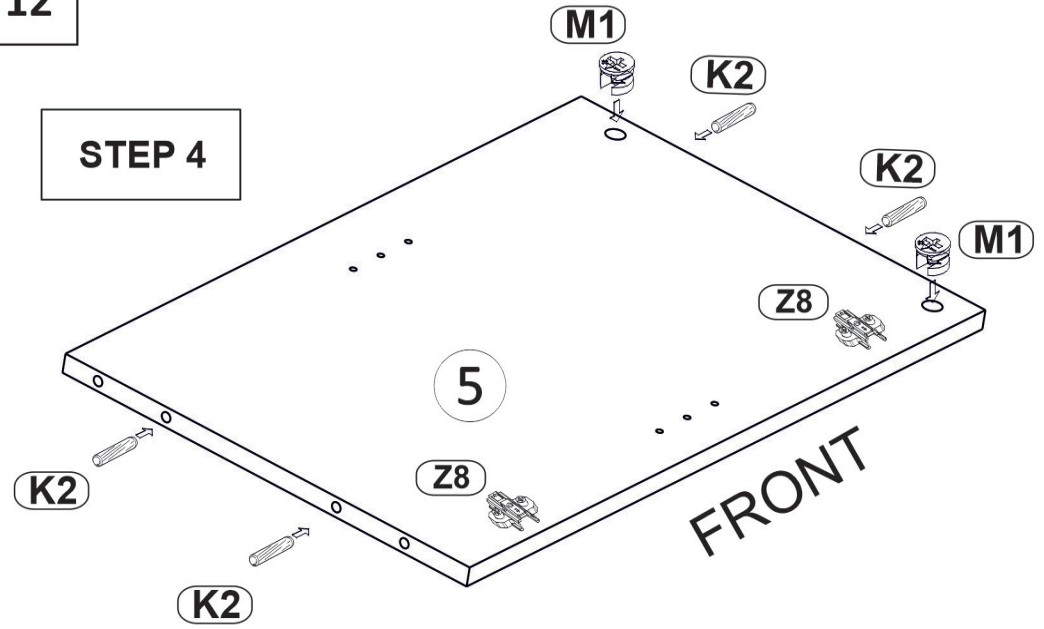
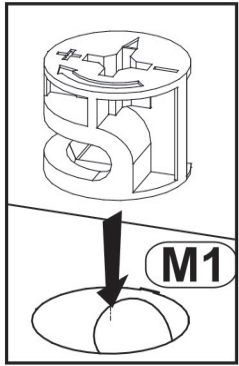
STEP 4



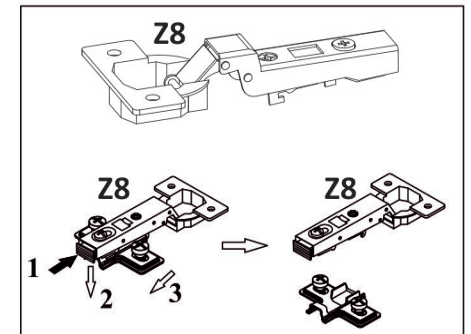
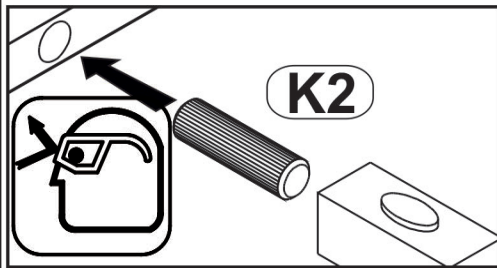
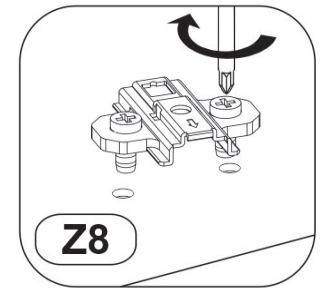
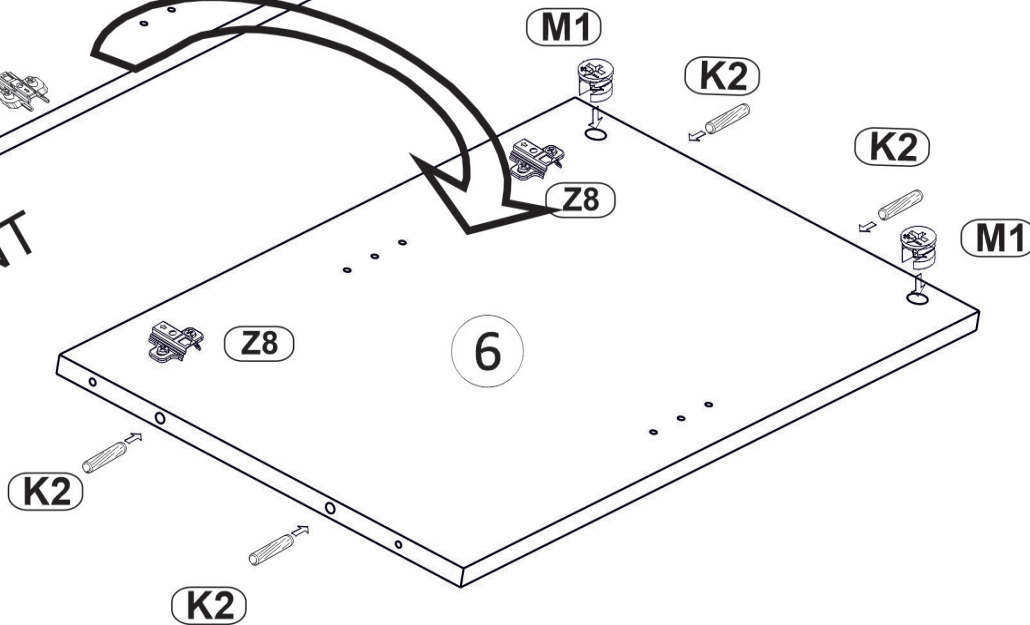
# 4B

Right option

STEP 4

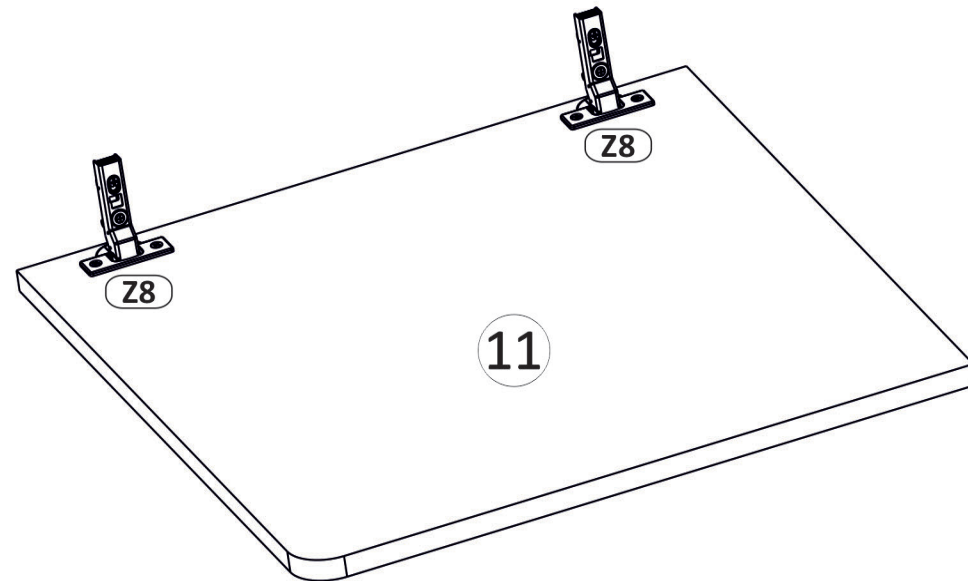
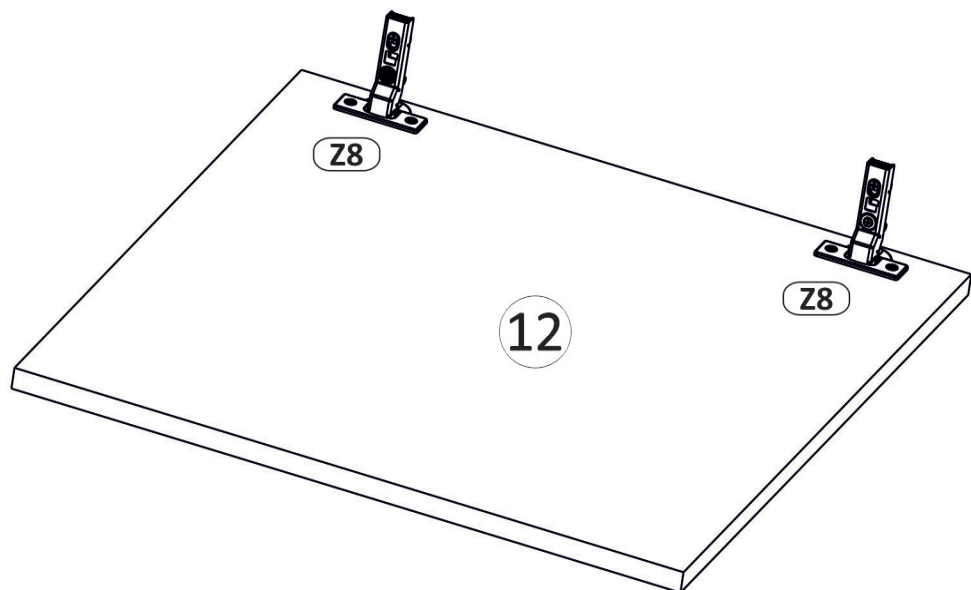
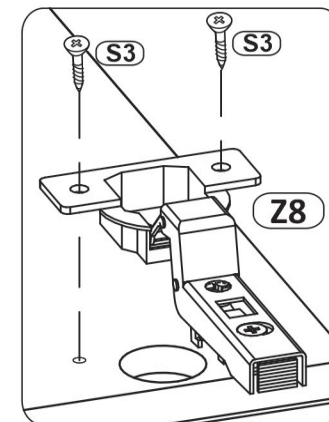
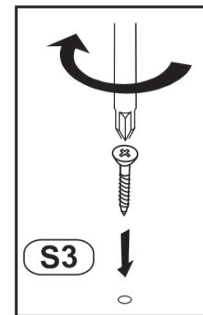
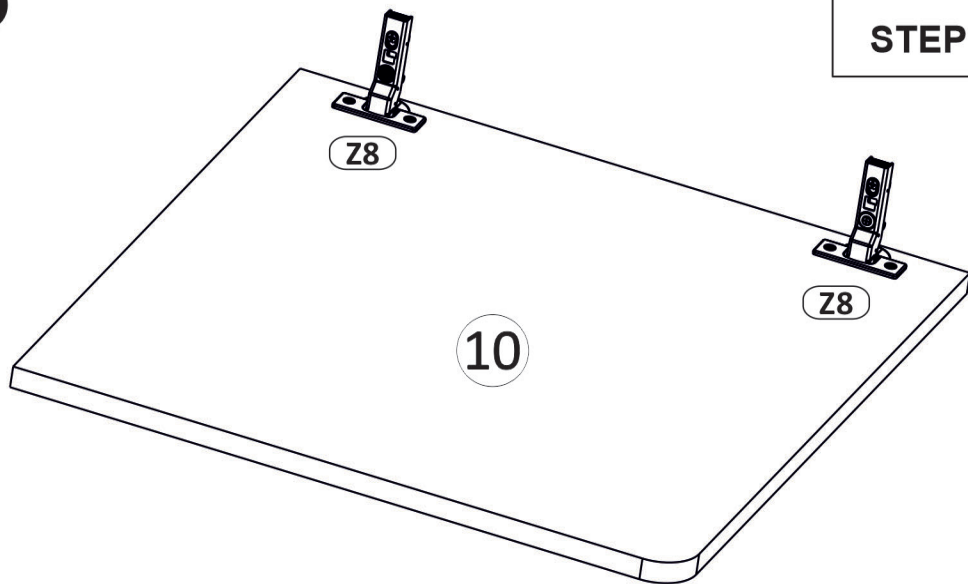


FRONT



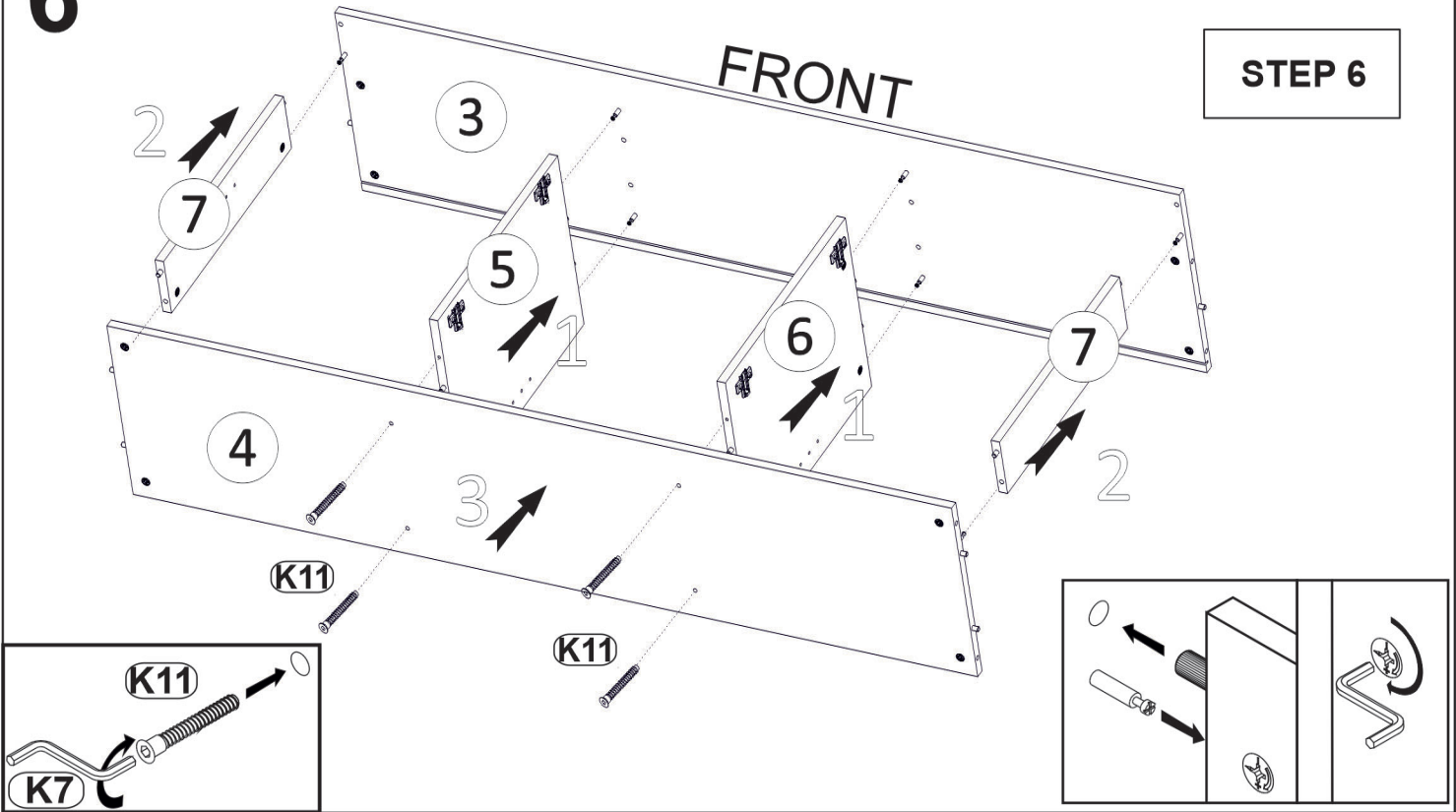
**5**

**STEP 5**



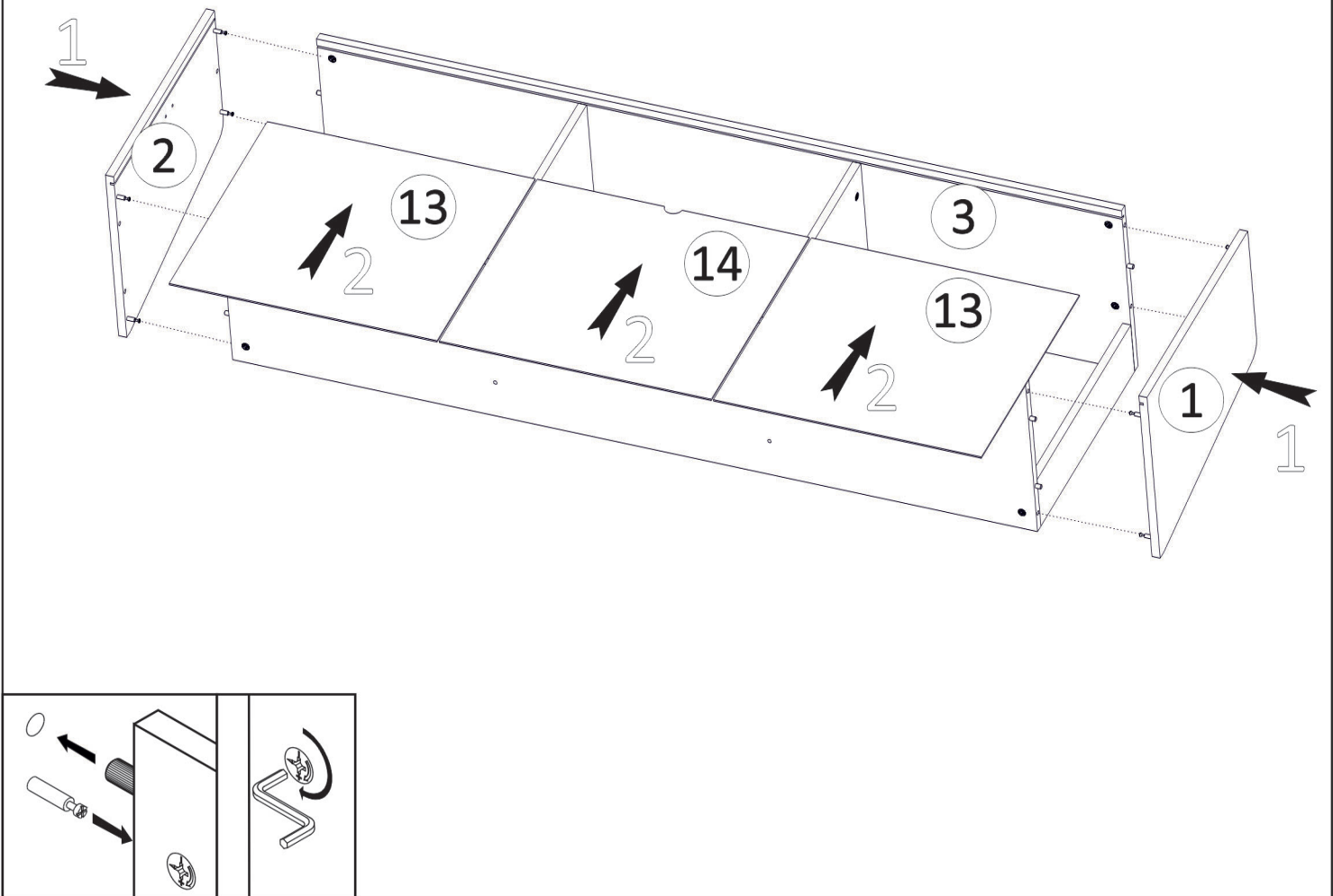
# 6

**STEP 6**



# 7

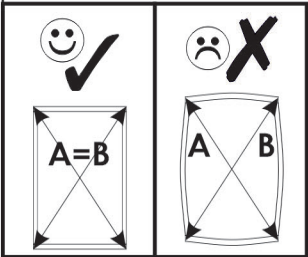
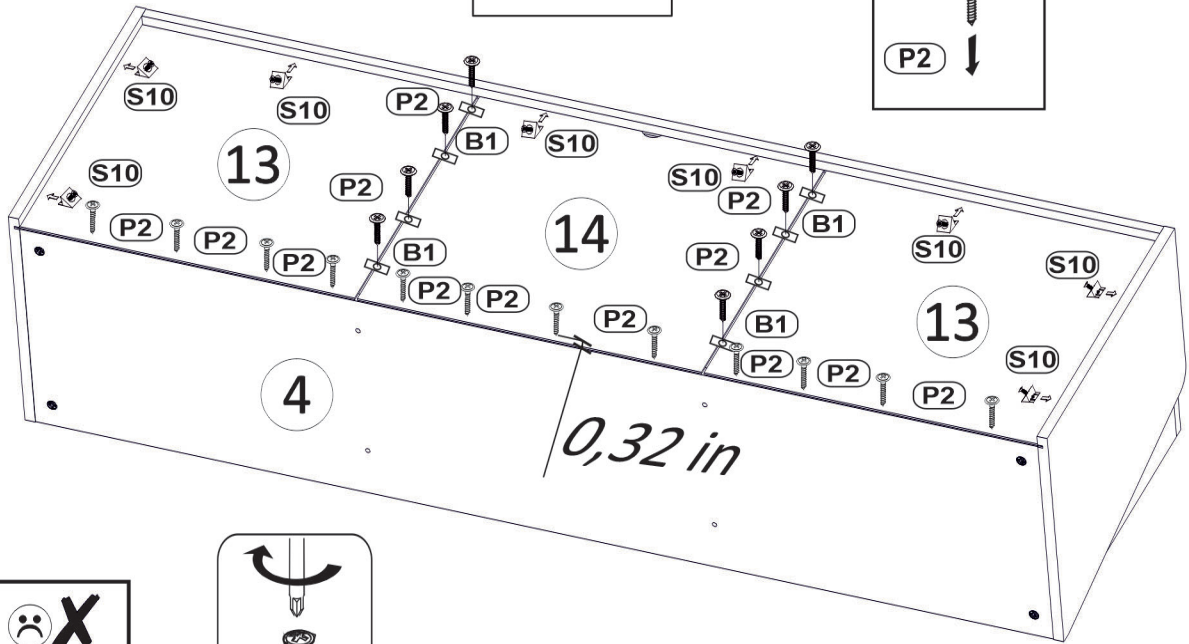
**STEP 7**





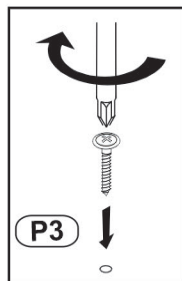
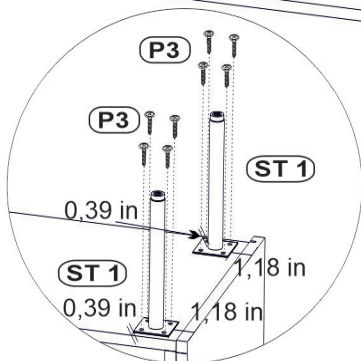
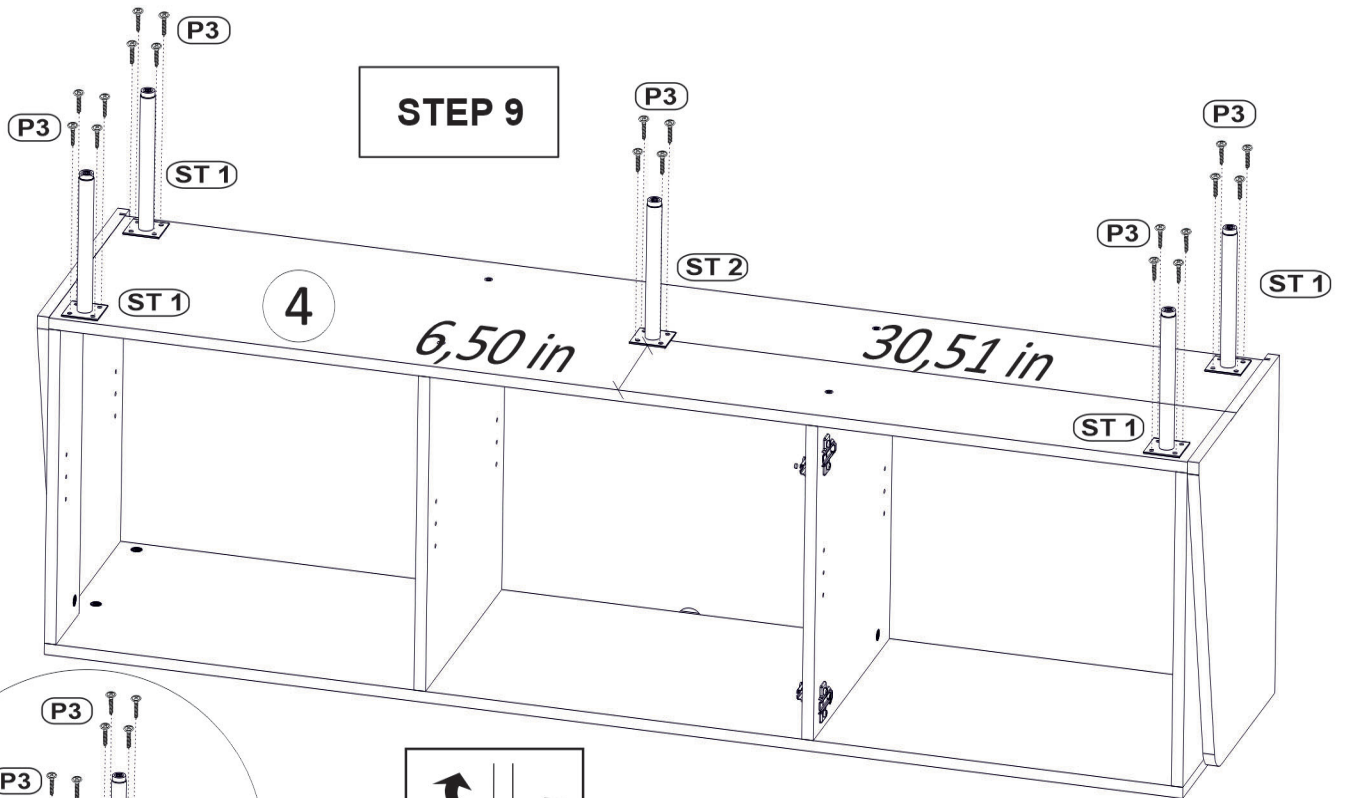
# 8

## STEP 8

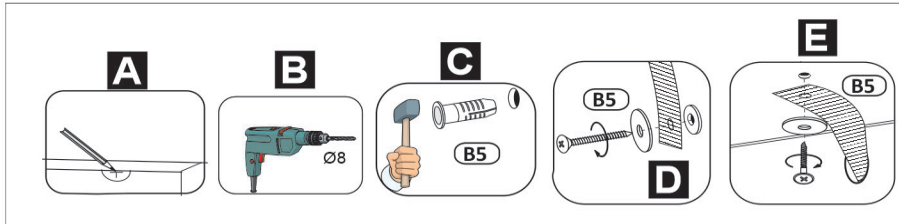
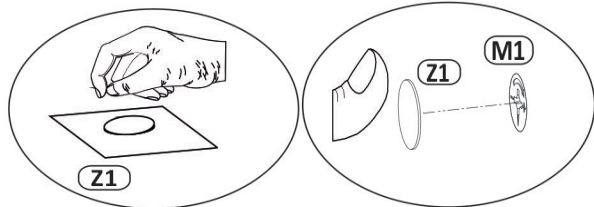


# 9

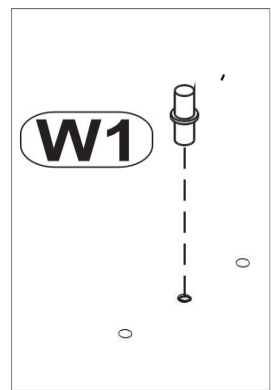
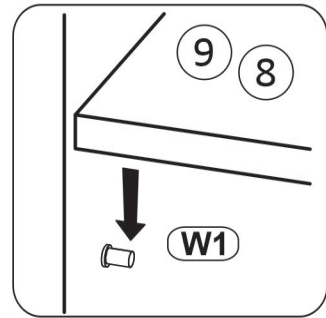
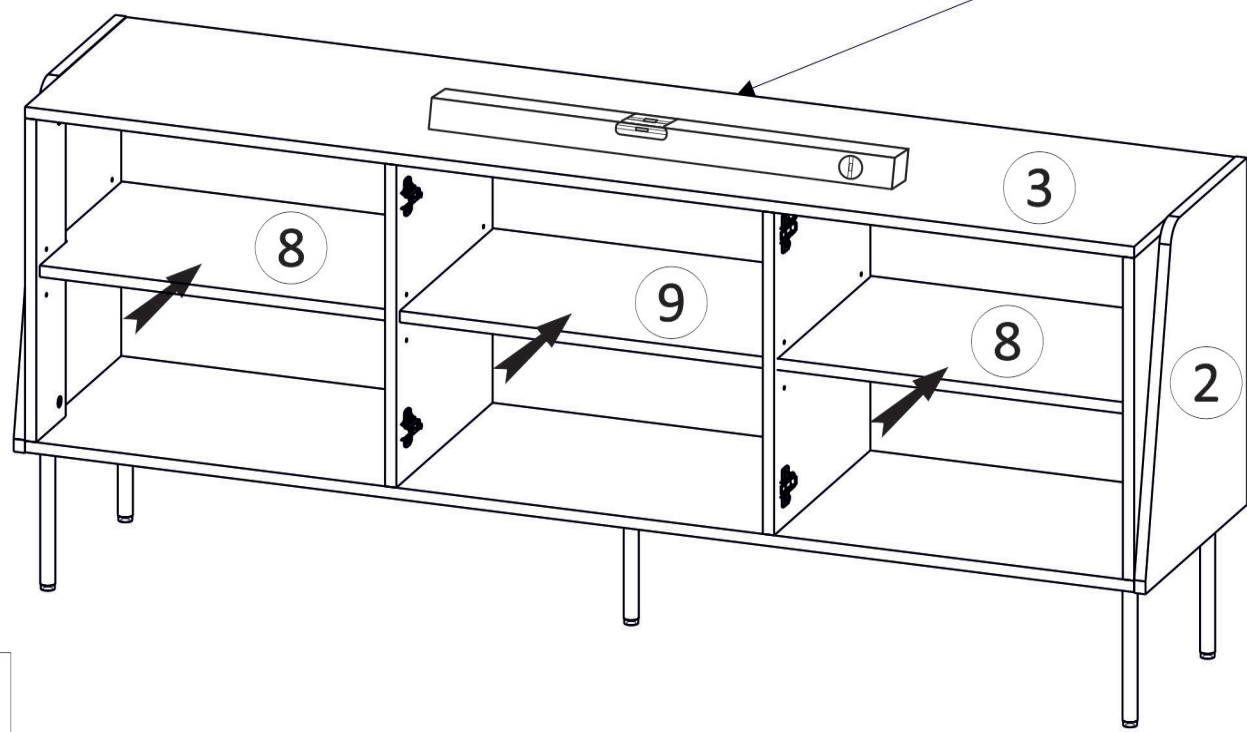
## STEP 9



**10**



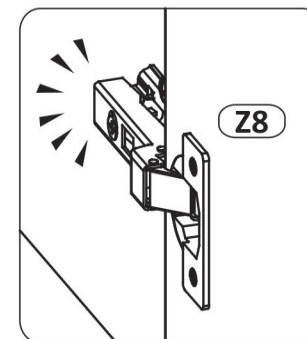
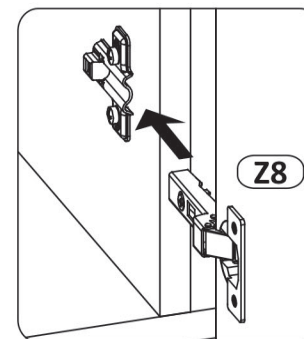
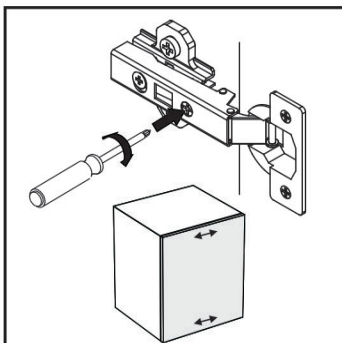
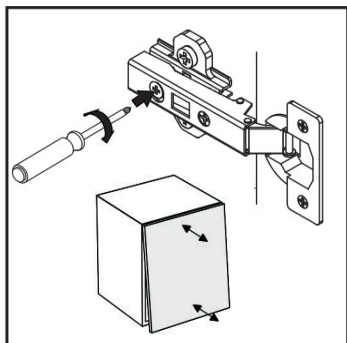
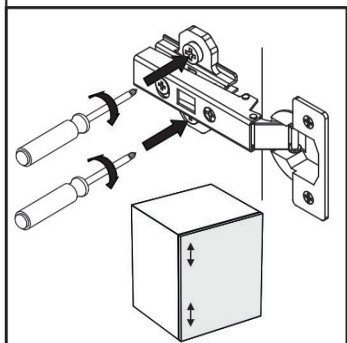
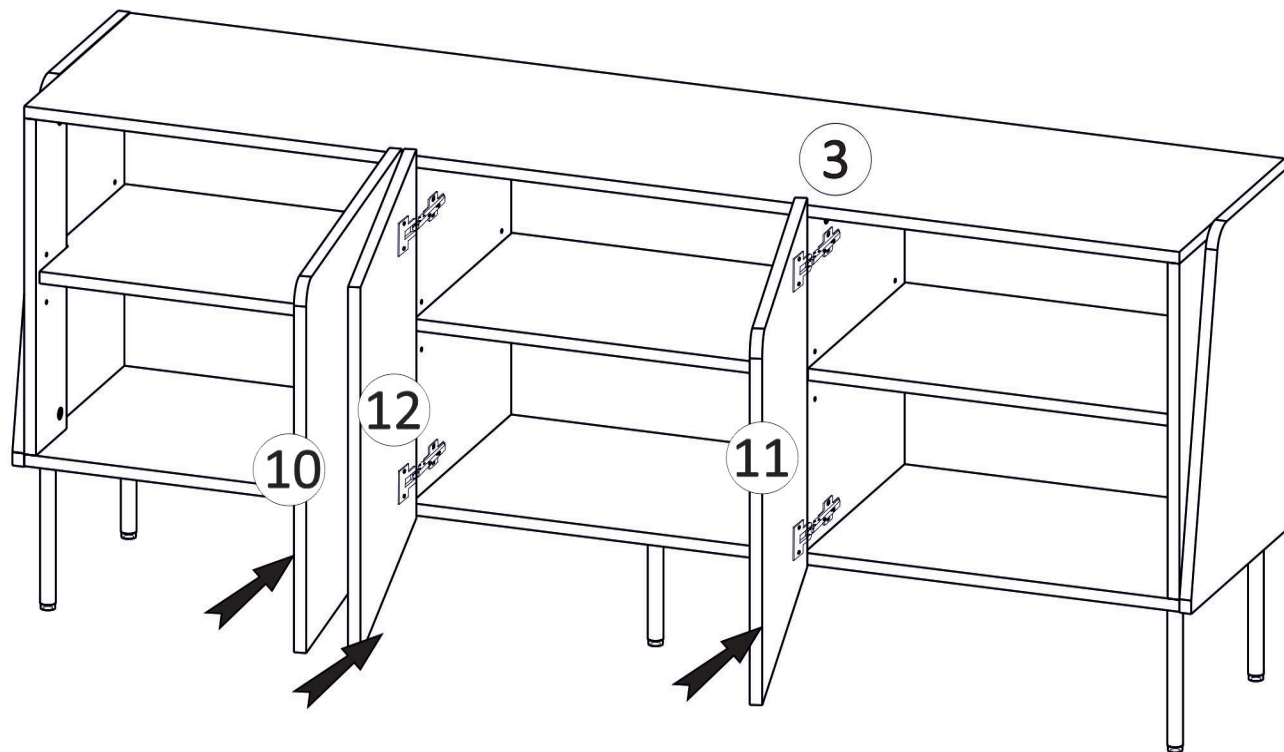
**STEP 10**



# 11A

## Left option

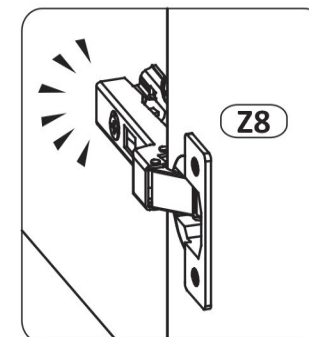
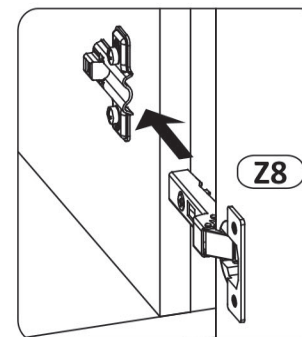
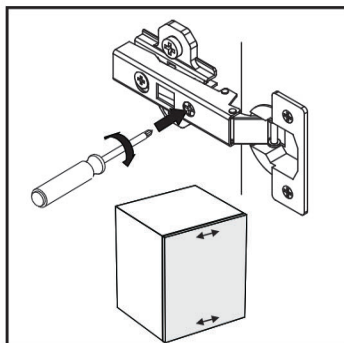
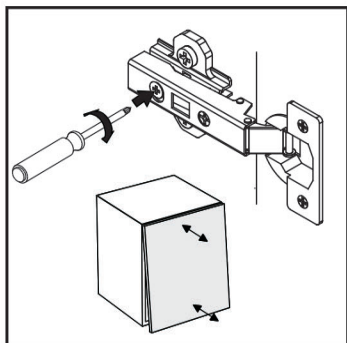
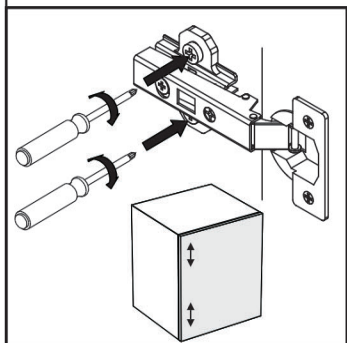
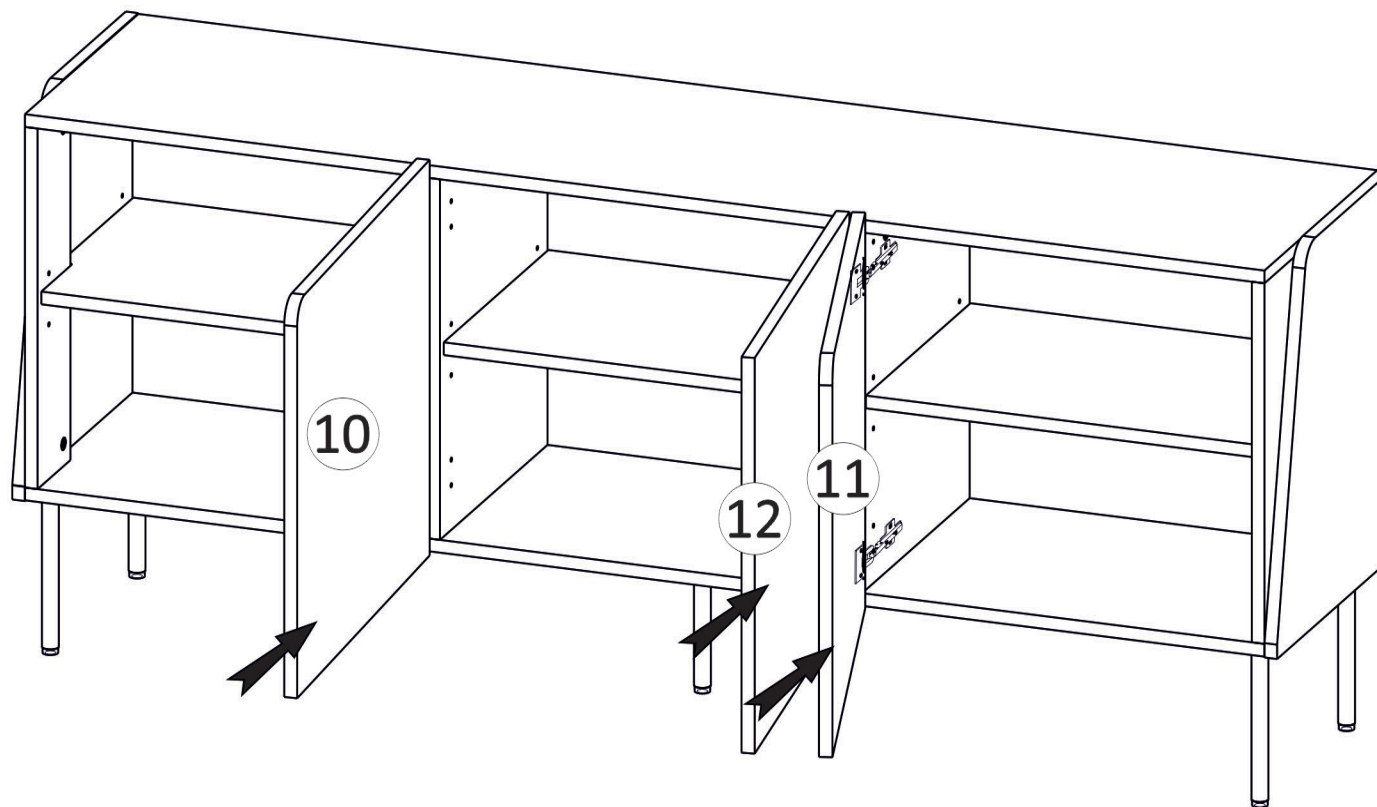
STEP 11



# 11B

## Right option

STEP 11





# Claim your extended 90 day product warranty by registering your product at [www.meblefurniture.com/register](http://www.meblefurniture.com/register)

**ATTENTION: DO NOT RETURN THIS PRODUCT!!!  
PLEASE READ THE FOLLOWING!!!**

**FOR REPLACEMENT/MISSING PARTS:**

[www.meblefurniture.com/parts](http://www.meblefurniture.com/parts)

**FOR INSTRUCTION/ASSEMBLY MANUALS  
AND VIDEOS:**

[www.meblefurniture.com/assembly](http://www.meblefurniture.com/assembly)

**ALL OTHER INQUIRIES:**

[help@meblefurniture.com](mailto:help@meblefurniture.com)

**IF YOU ARE MISSING PARTS OR YOUR  
PRODUCT ARRIVED DAMAGED:**

Please fill out a parts request form at  
[www.meblefurniture.com/parts](http://www.meblefurniture.com/parts)

Replacement parts are shipped out in one business day. You will receive a tracking number via email once your parts request has been processed.

**IF YOU ARE MISSING AN INSTRUCTION  
MANUAL OR NEED ASSEMBLY HELP:**

Please visit [www.meblefurniture.com/assembly](http://www.meblefurniture.com/assembly) to access our library of product assembly videos or to download product instruction manuals.

**NOTICE REGARDING HIGH GLOSS  
PROTECTIVE FOIL AND PRODUCT CARE:**

After removing the protective foil from the gloss fronts, the acrylic surface of the boards is still soft and easy to scratch. With air contact, the hygroscopic acrylic layer hardens, and the board becomes more resistant to scratches. It takes approximately 48 hours for the acrylic layer of the board to fully harden.

**DO NOT CLEAN, WIPE, OR POLISH THE  
ACRYLIC FRONTS FOR 48 HOURS AFTER  
REMOVING THE PROTECTIVE FOIL!!!**



[help@meblefurniture.com](mailto:help@meblefurniture.com)

**INSIDE THE PACKAGE YOU WILL FIND PACKAGING PROTECTION BOARDS**

**THESE ARE NOT A PART OF YOUR PRODUCT**

**PLEASE DISPOSE OF THESE BOARDS**

