

Claim your extended 90 day product warranty by registering your product at www.meblefurniture.com/register

**ATTENTION: DO NOT RETURN THIS PRODUCT!!!
PLEASE READ THE FOLLOWING!!!**

FOR REPLACEMENT/MISSING PARTS:

www.meblefurniture.com/parts

**FOR INSTRUCTION/ASSEMBLY MANUALS
AND VIDEOS:**

www.meblefurniture.com/assembly

ALL OTHER INQUIRIES:

help@meblefurniture.com

**IF YOU ARE MISSING PARTS OR YOUR
PRODUCT ARRIVED DAMAGED:**

Please fill out a parts request form at
www.meblefurniture.com/parts

Replacement parts are shipped out in one business day. You will receive a tracking number via email once your parts request has been processed.

**IF YOU ARE MISSING AN INSTRUCTION
MANUAL OR NEED ASSEMBLY HELP:**

Please visit www.meblefurniture.com/assembly to access our library of product assembly videos or to download product instruction manuals.

**NOTICE REGARDING HIGH GLOSS
PROTECTIVE FOIL AND PRODUCT CARE:**

After removing the protective foil from the gloss fronts, the acrylic surface of the boards is still soft and easy to scratch. With air contact, the hygroscopic acrylic layer hardens, and the board becomes more resistant to scratches. It takes approximately 48 hours for the acrylic layer of the board to fully harden.

**DO NOT CLEAN, WIPE, OR POLISH THE
ACRYLIC FRONTS FOR 48 HOURS AFTER
REMOVING THE PROTECTIVE FOIL!!!**



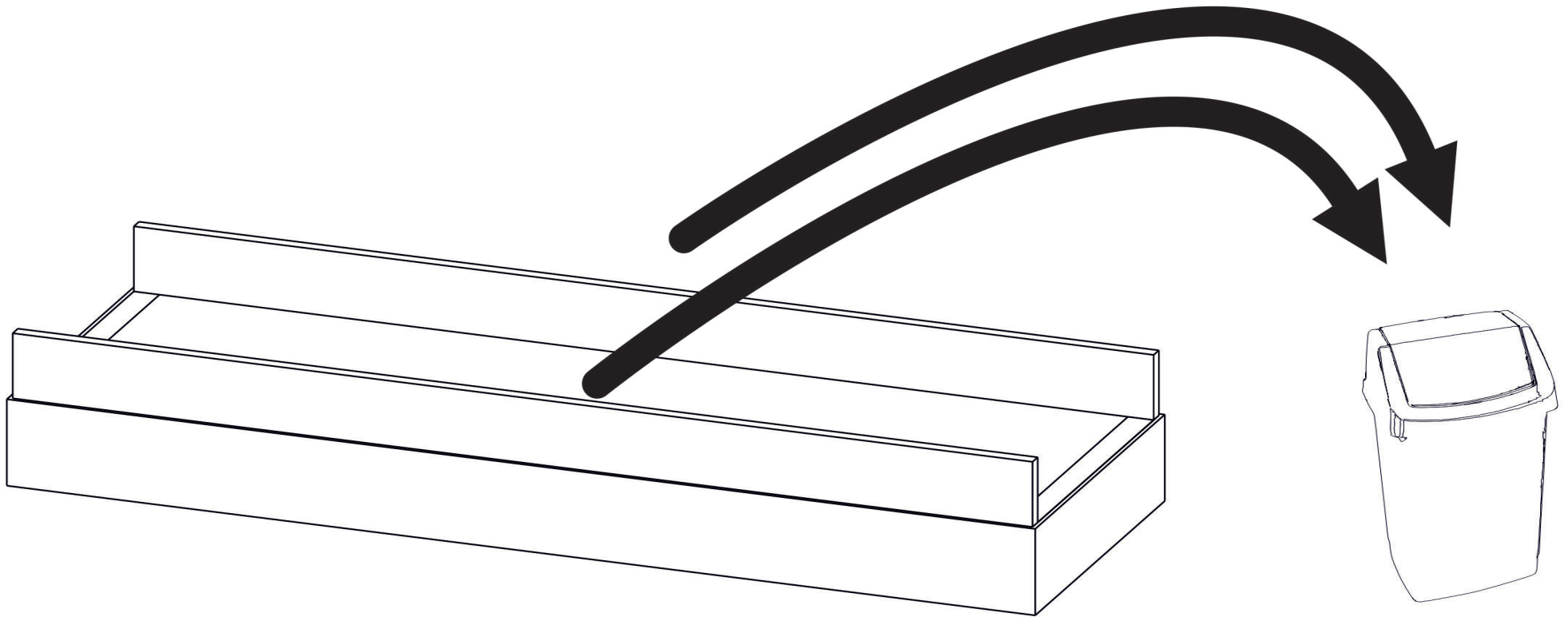
 **meble**
FURNITURE

help@meblefurniture.com

INSIDE THE PACKAGE YOU WILL FIND PACKAGING PROTECTION BOARDS

THESE ARE NOT A PART OF YOUR PRODUCT

PLEASE DISPOSE OF THESE BOARDS

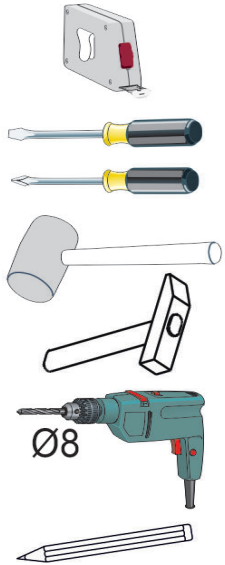
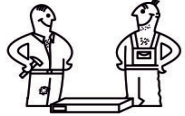


Model: *AZURRO 2D2SZ*
 Modell: *AZURRO 2D2SZ*

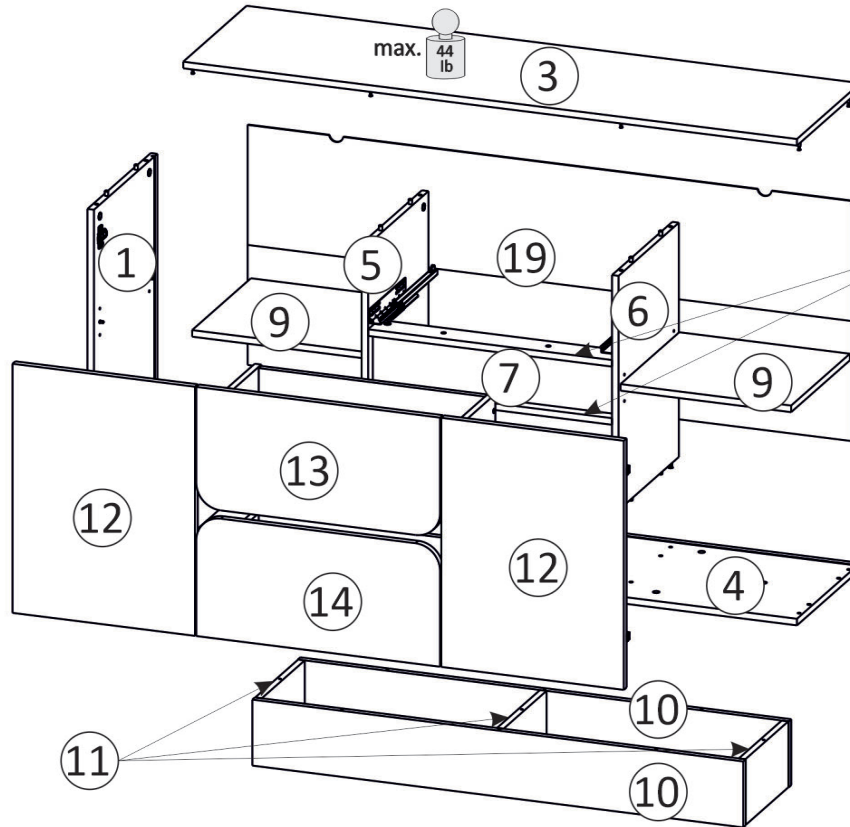
Strona: **1/12**
 Blatt Nr: **1/12**

[PL] INSTRUKCJA MONTAŻOWA
[D] MONTAGEANLEITUNG
[GB] ASSEMBLY INSTRUCTIONS

Do montażu potrzebne są:
 Für die Montage dieser Type benötigen Sie:



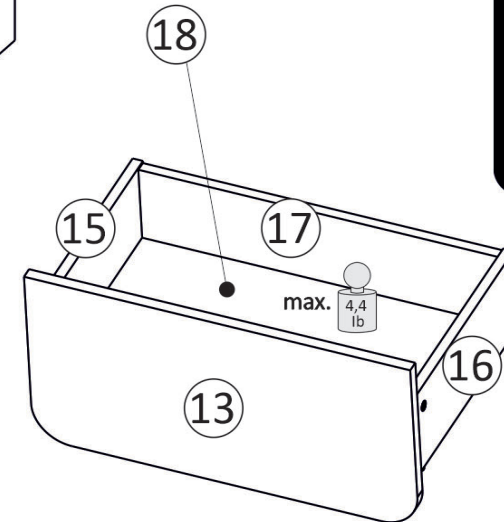
9 max. 8,8 lb



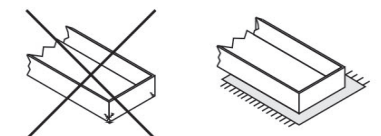
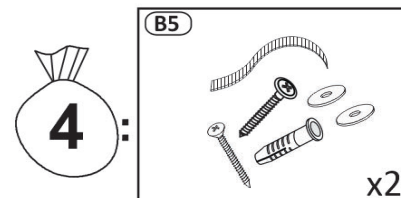
Pflegehinweis!
 Bitte nur mit einem Staubtuch oder einem feuchtem Lappen reinigen. KEINE scheuernde Putzmittel verwenden!

Uwagi pielęgnacyjne!
 Proszę wycierać ściereczką do kurzu lub lekko wilgotną ścierką. Nie stosować ŻADNYCH środków rysujących powierzchnie.

D Sehr geehrter Kunde, sollte ein Teil fehlen oder beschädigt sein, kreuzen Sie bitte dieses deutlich auf der Montageanleitung an und schicken Sie zu uns ab.
GB Dear customer, Should there be any place missing or damaged, kindly mark this place clearly on the attached assembly instructions and return it to us.
PL Szanowny Kliencie, gdyby brakowało jakiejś części lub byłaby uszkodzona proszę to oznaczyć krzyżykiem na instrukcji montażowej i przesłać instrukcję razem z reklamacją.



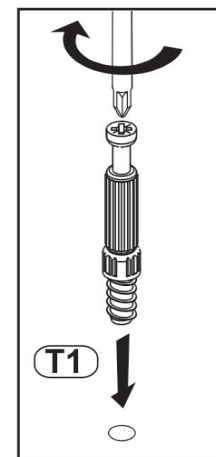
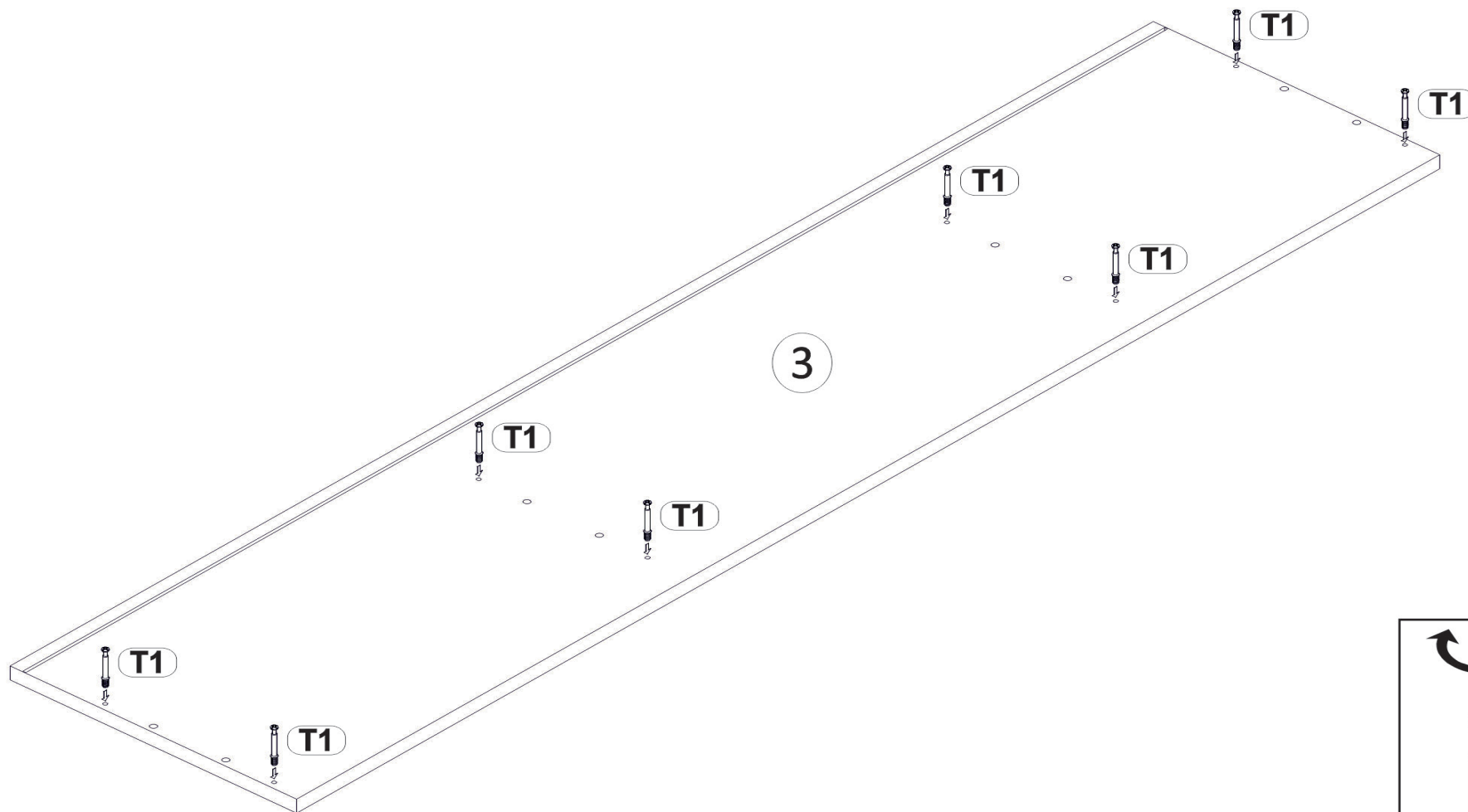
| | | | | | | | | | | |
|---|-----|------------|---------------|-------------|--------------|---------------|-----|----|-----|----|
| 1 | K2 | T1 | M1 | S10 | P2 | W1 | Z1 | S9 | K11 | K7 |
| | x30 | x22 | x22 | US 3x18 x10 | UP 3,5x18 x8 | x8 | x10 | x9 | x29 | x1 |
| 2 | Z7 | S3 | 3 | | U1 | P10 | P2 | 4 | | |
| | x4 | US 4x13 x8 | L-350 x2L x2R | | US 6,3x13 x8 | UP 3,5x18 x10 | x2 | | | |



Proszę montować mebel na kartonie!
 Bitte das Möbel auf der Verpackung montieren.

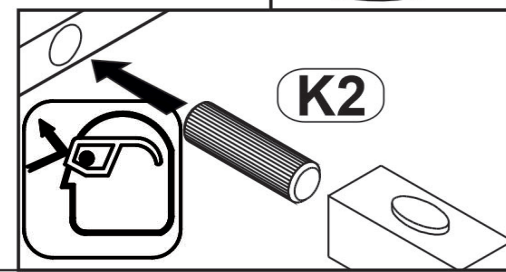
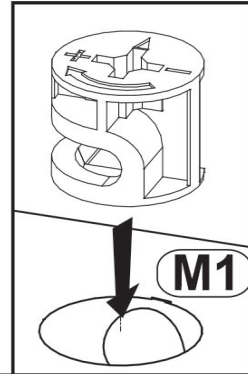
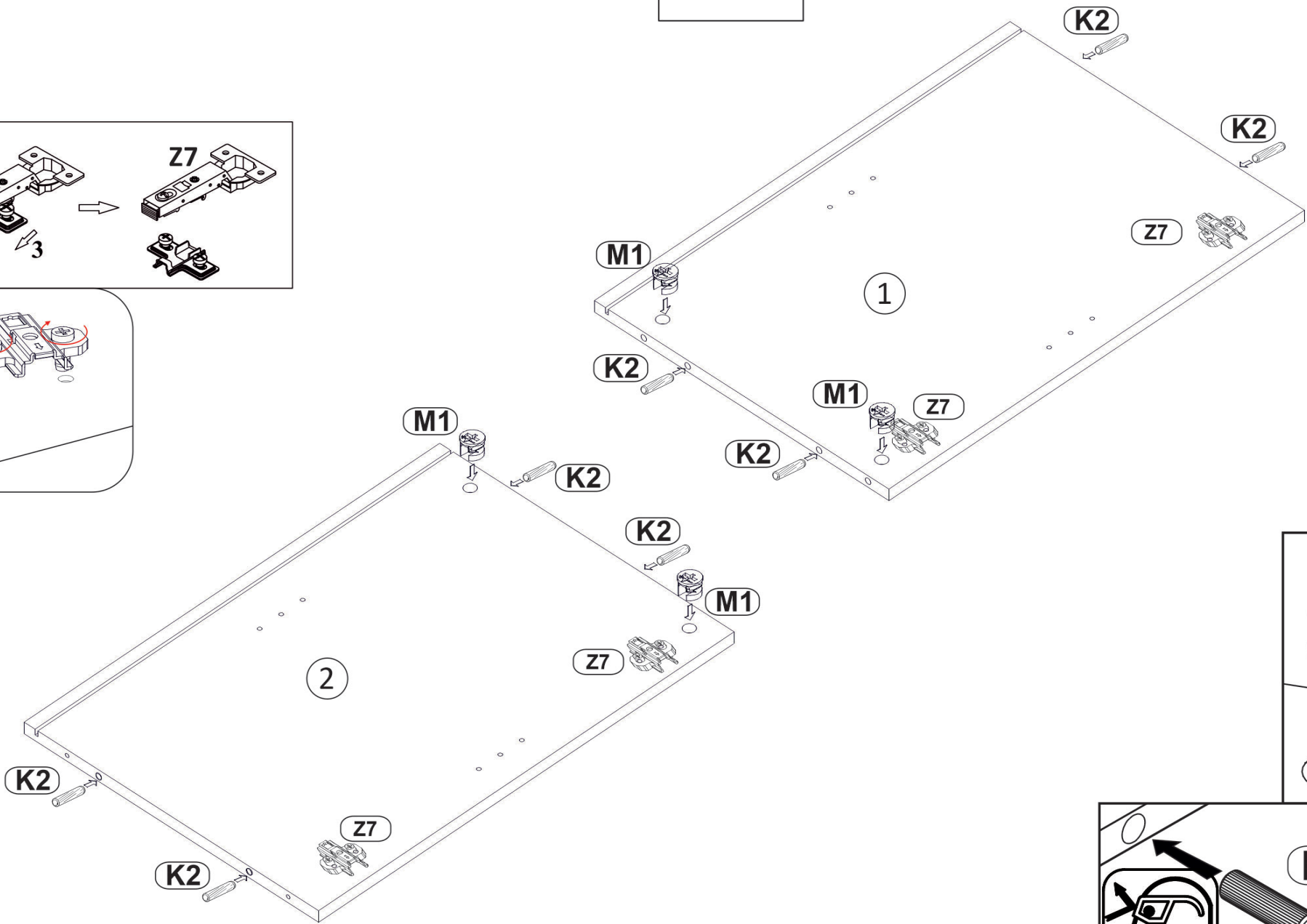
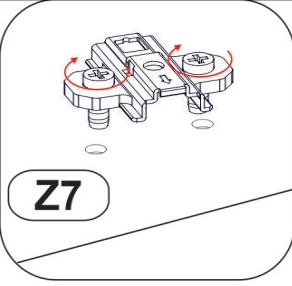
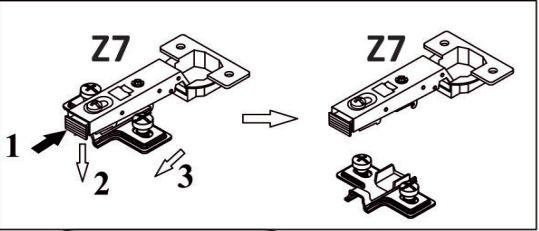
1

STEP 1



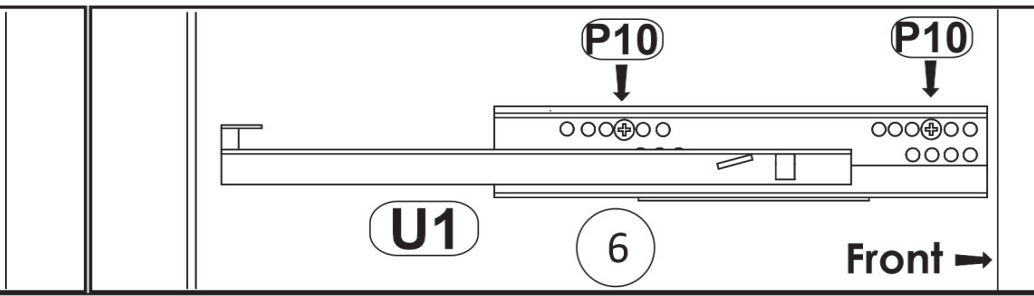
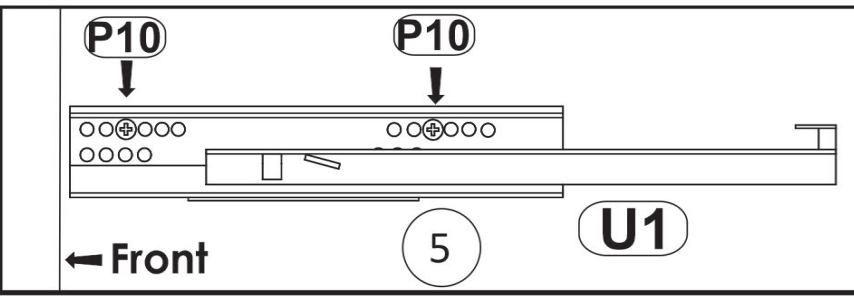
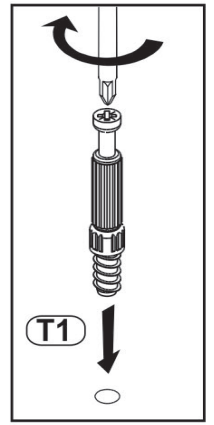
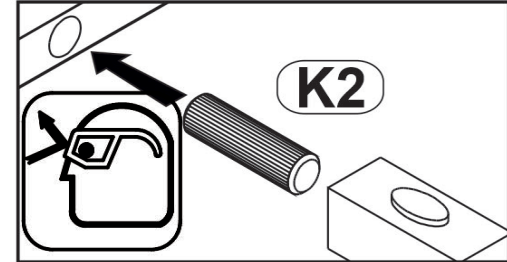
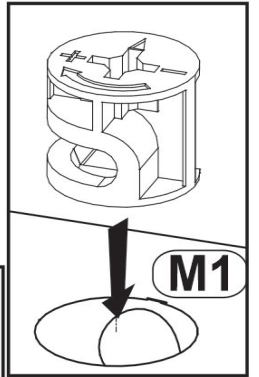
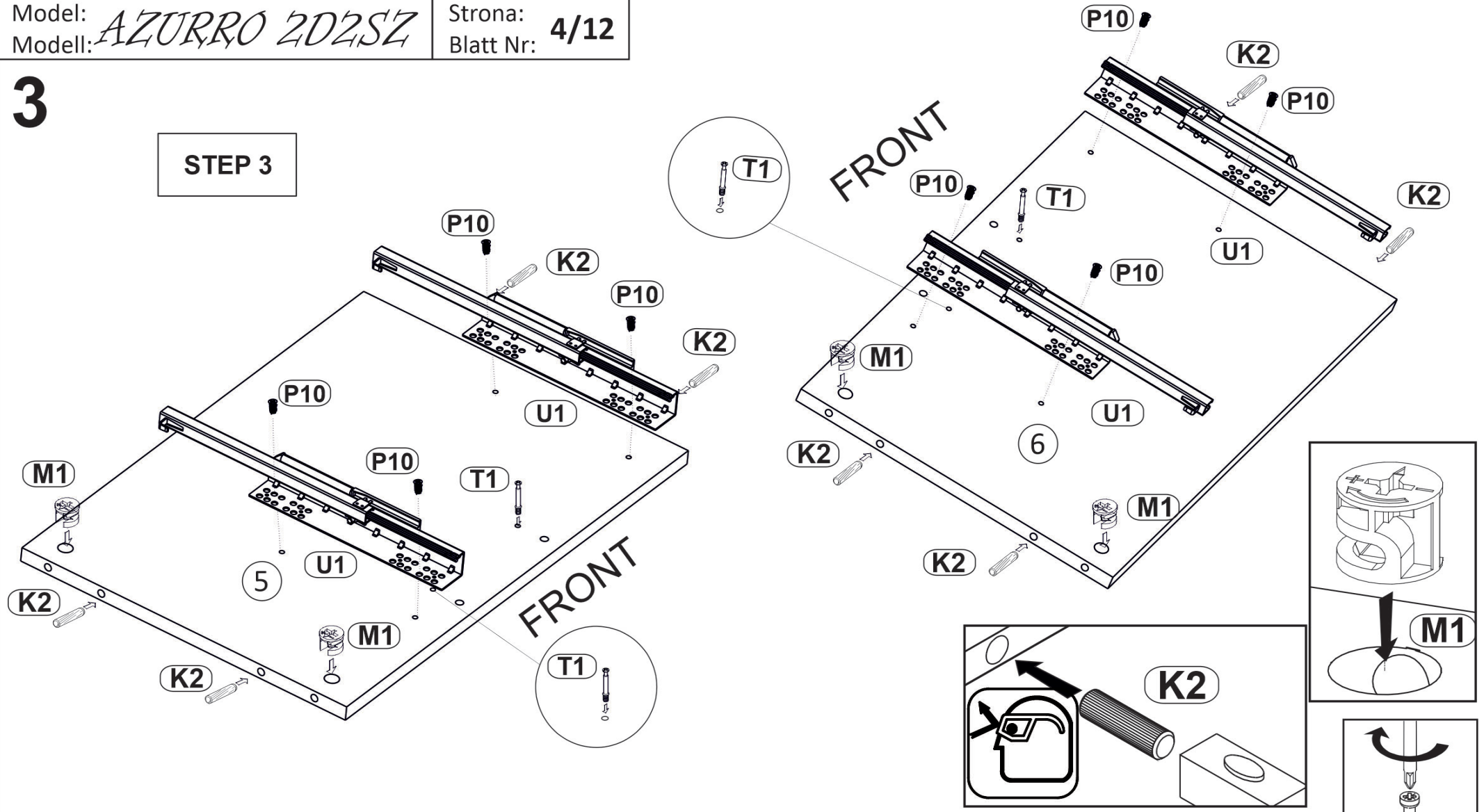
2

STEP 2



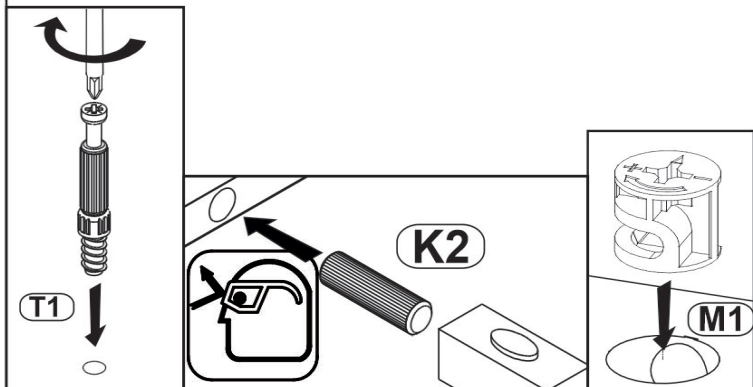
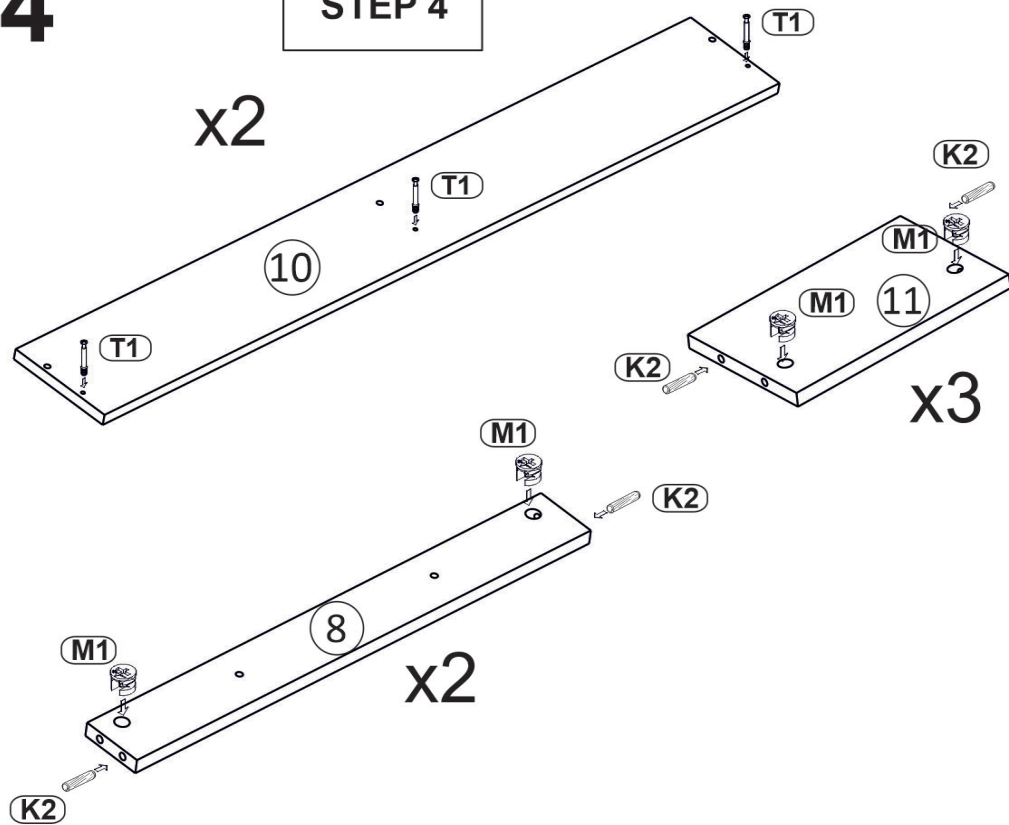
3

STEP 3



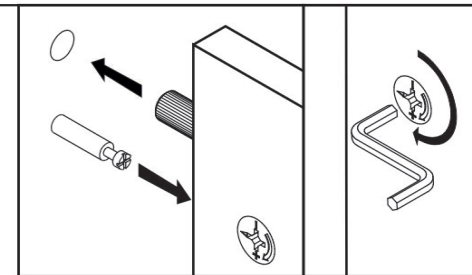
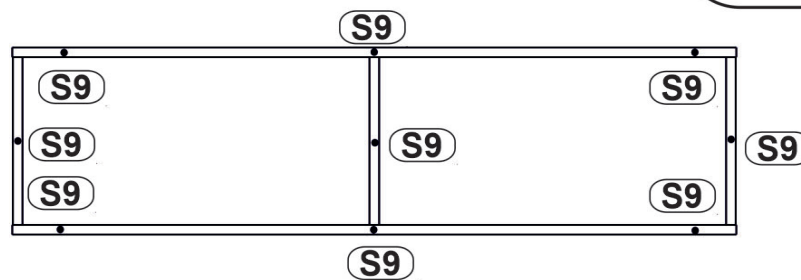
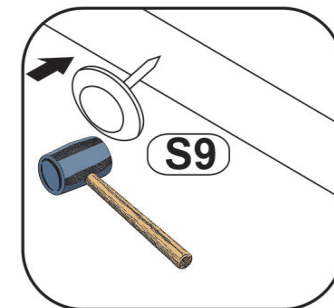
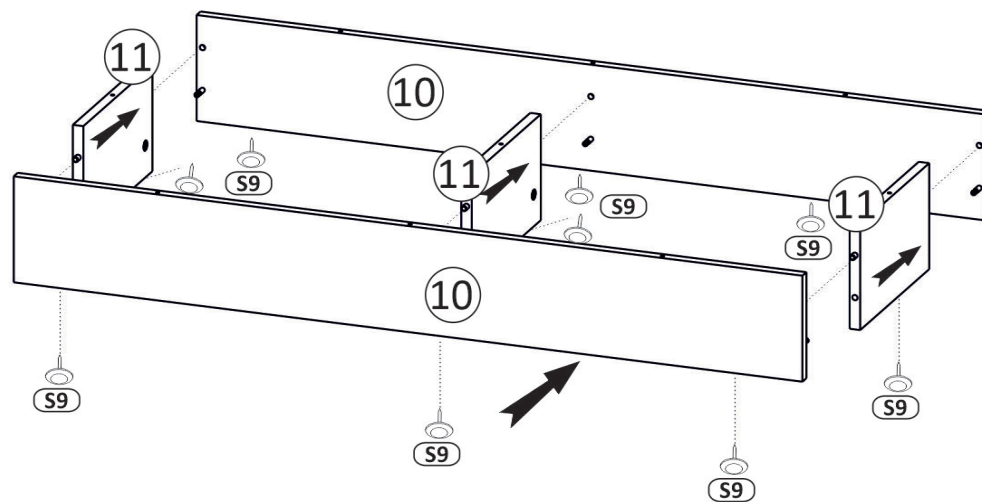
4

STEP 4



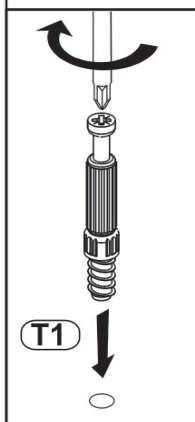
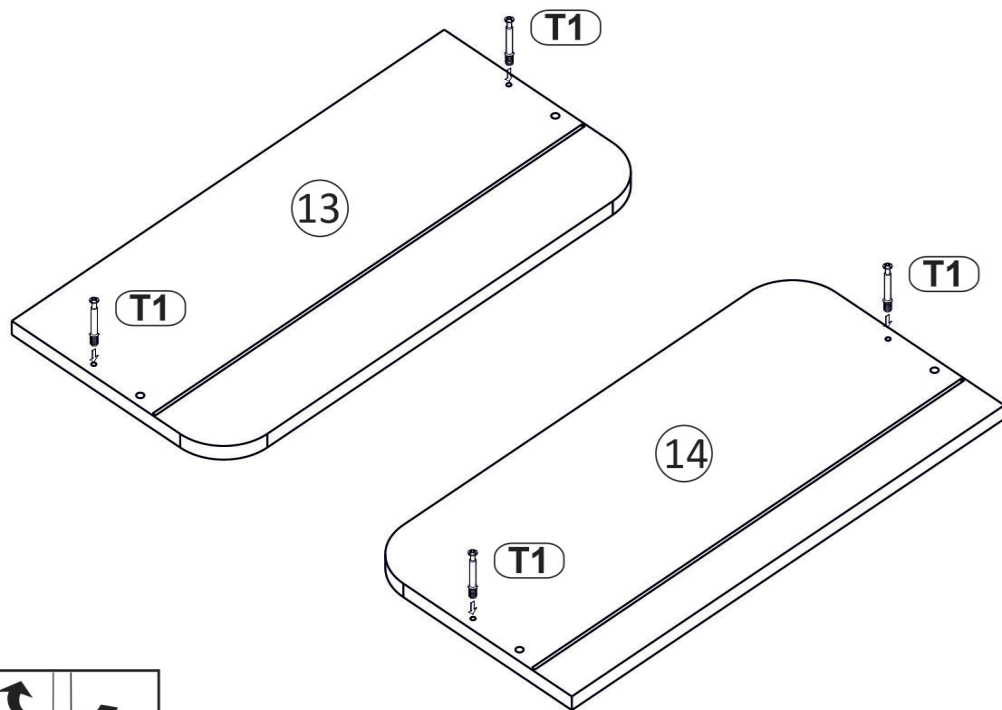
5

STEP 5



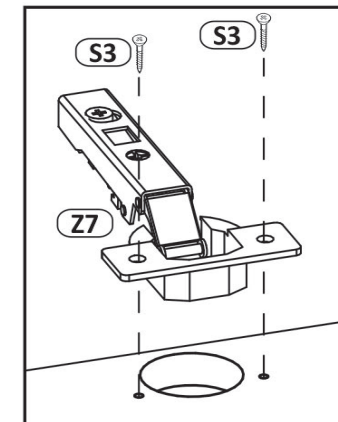
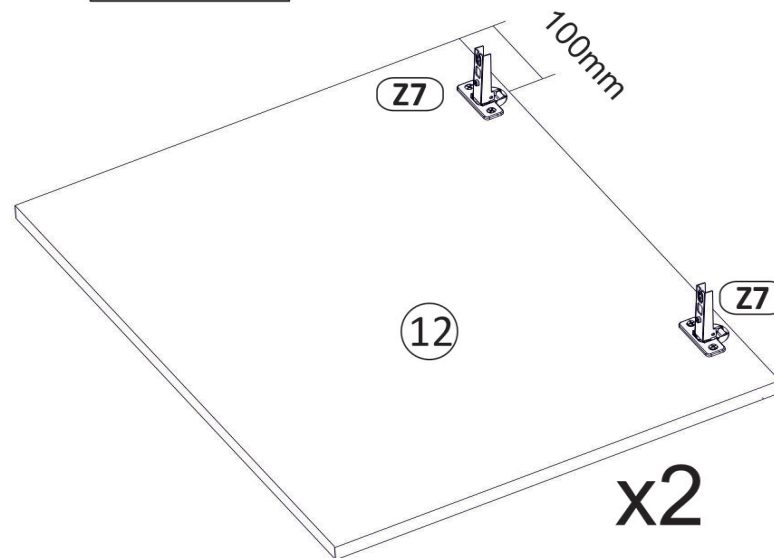
6

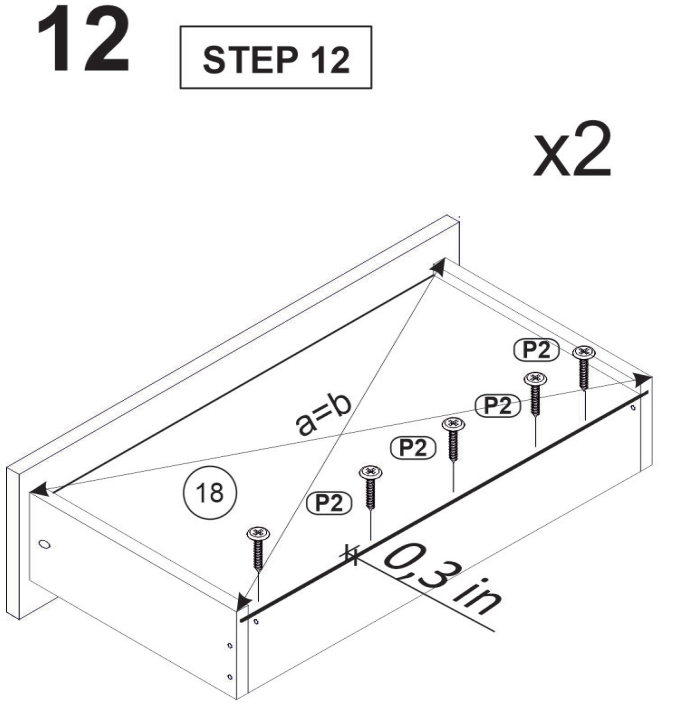
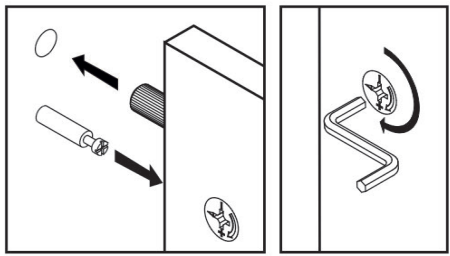
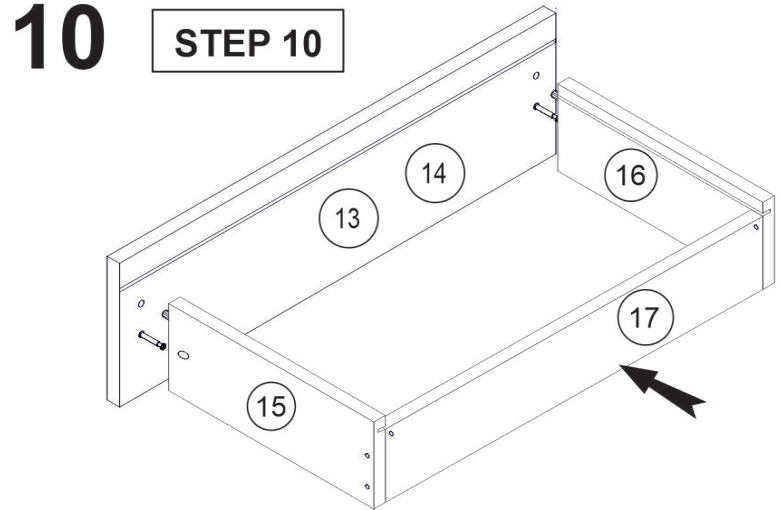
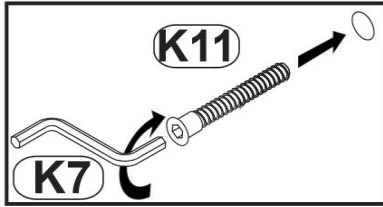
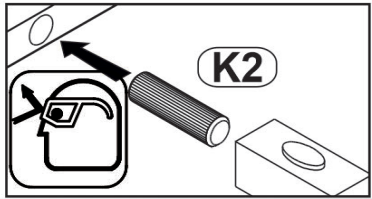
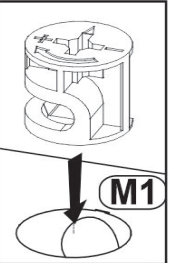
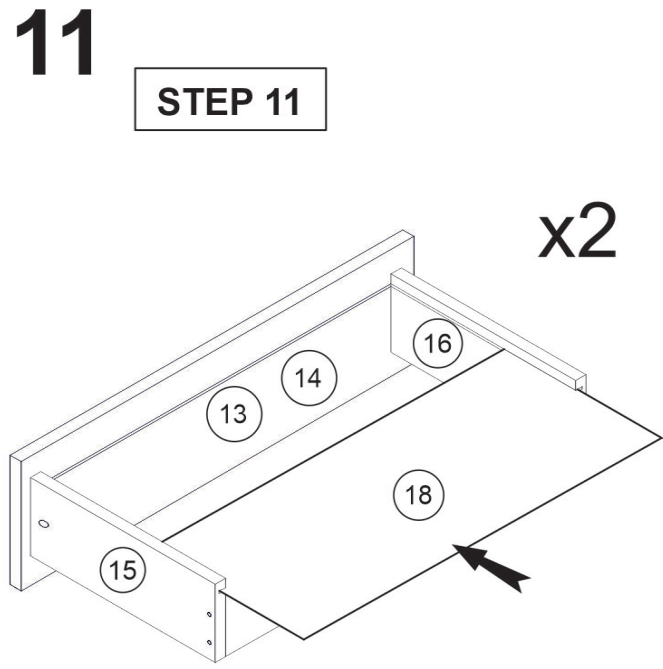
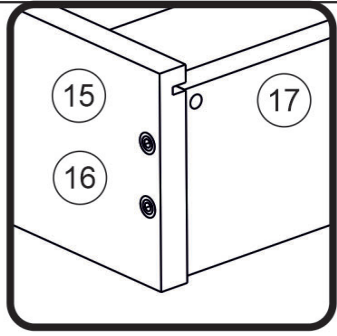
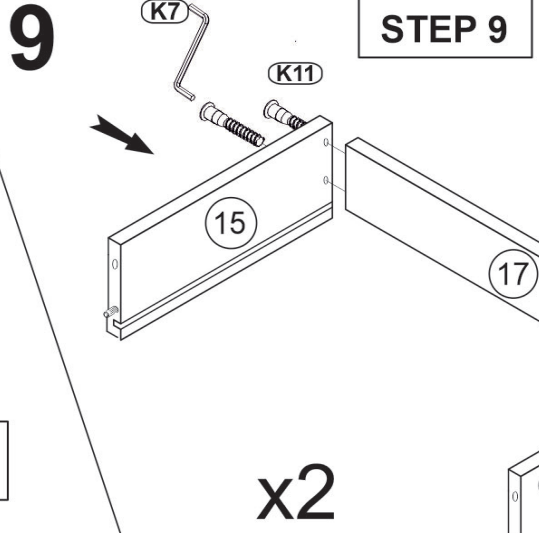
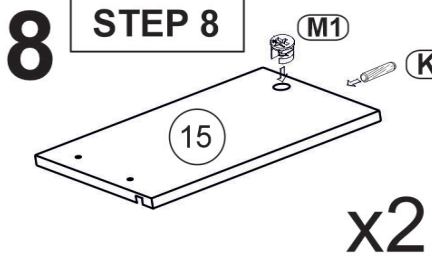
STEP 6



7

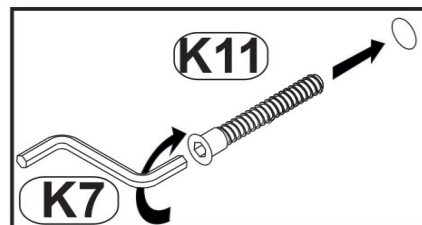
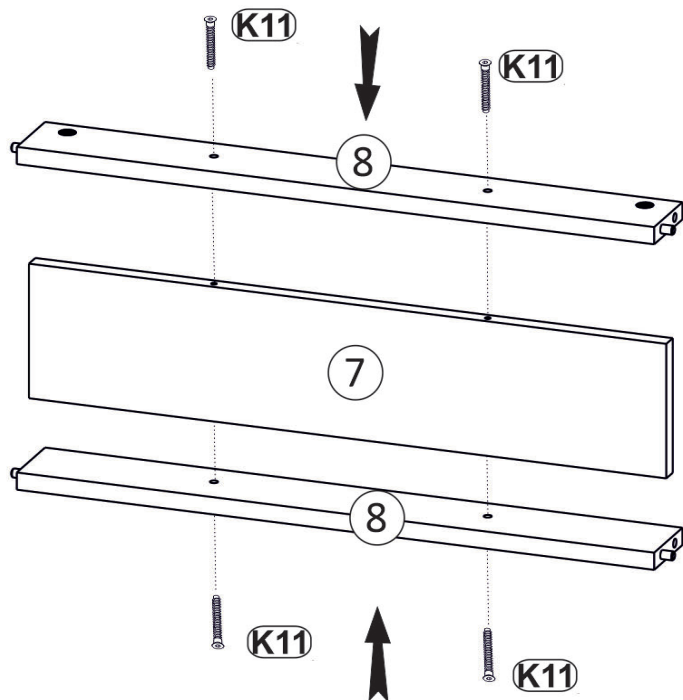
STEP 7





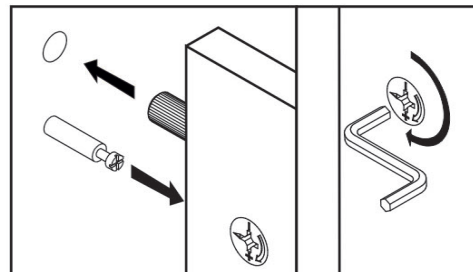
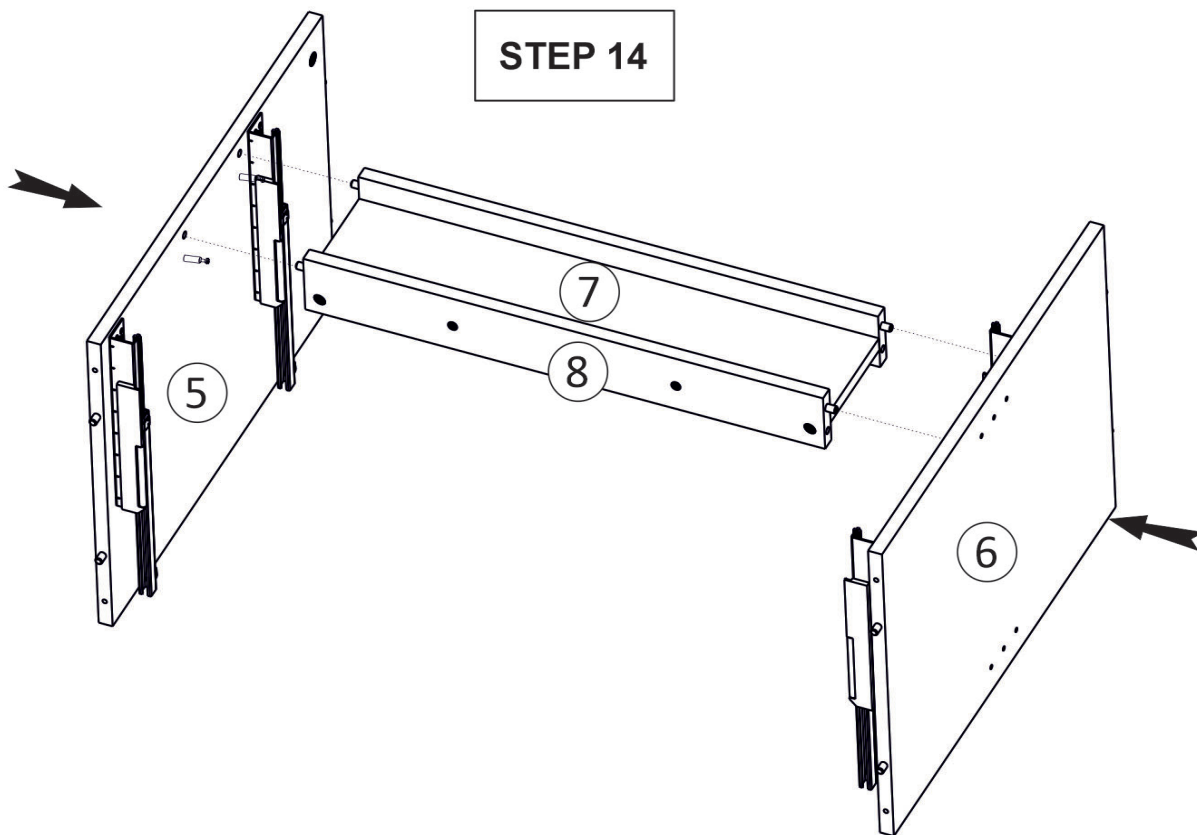
13

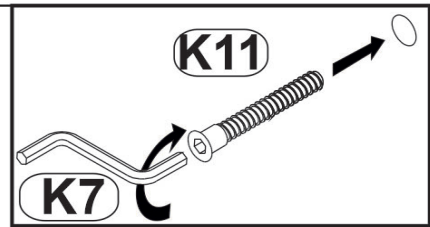
STEP 13



14

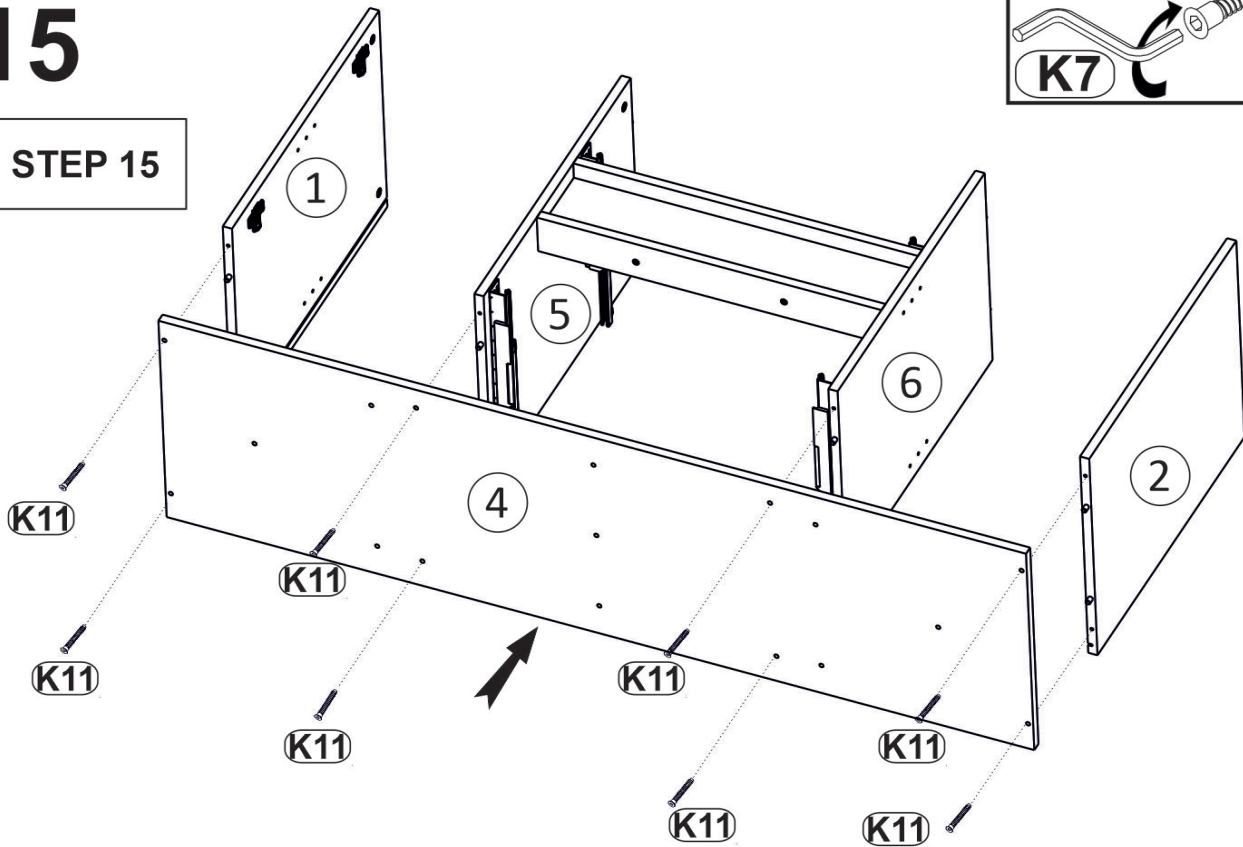
STEP 14





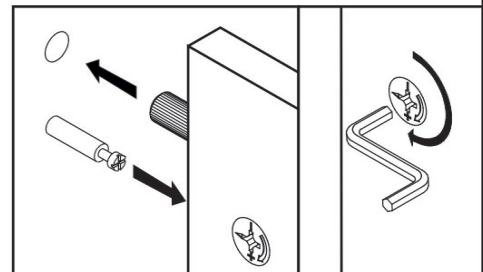
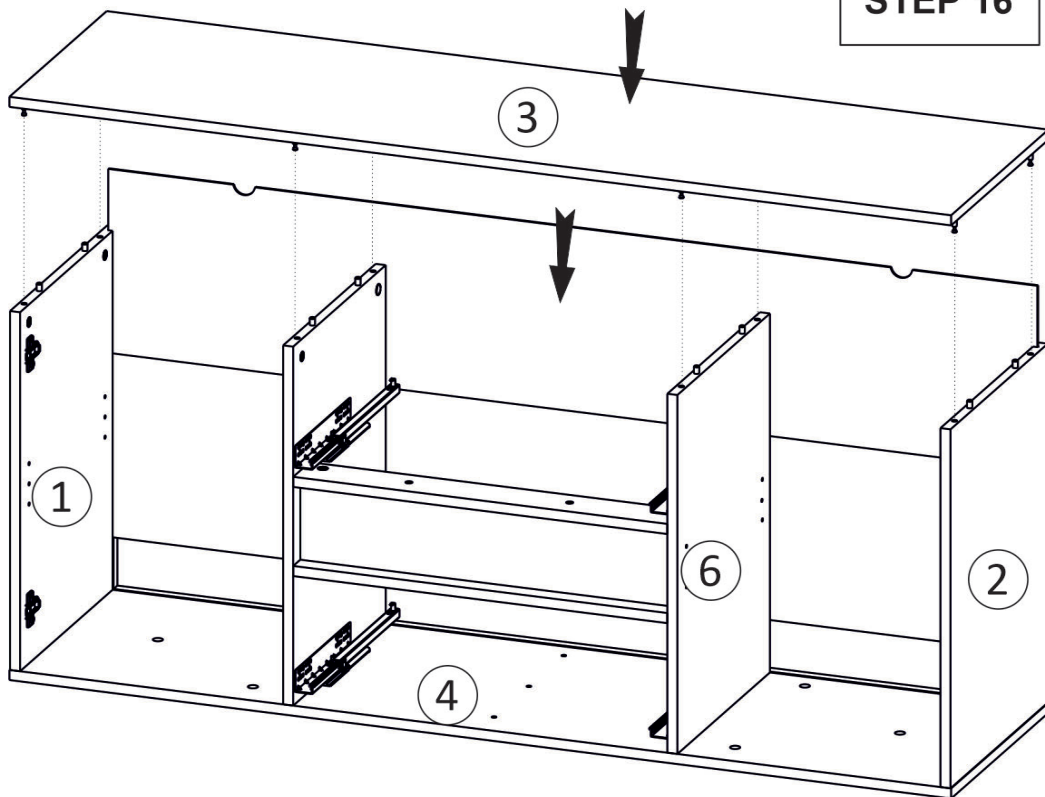
15

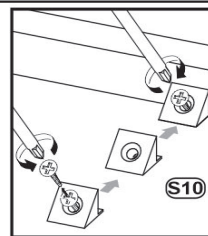
STEP 15



16

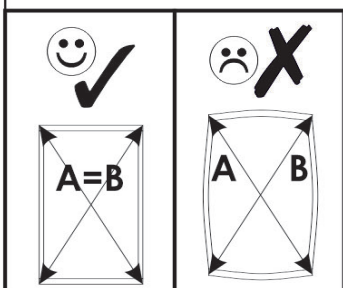
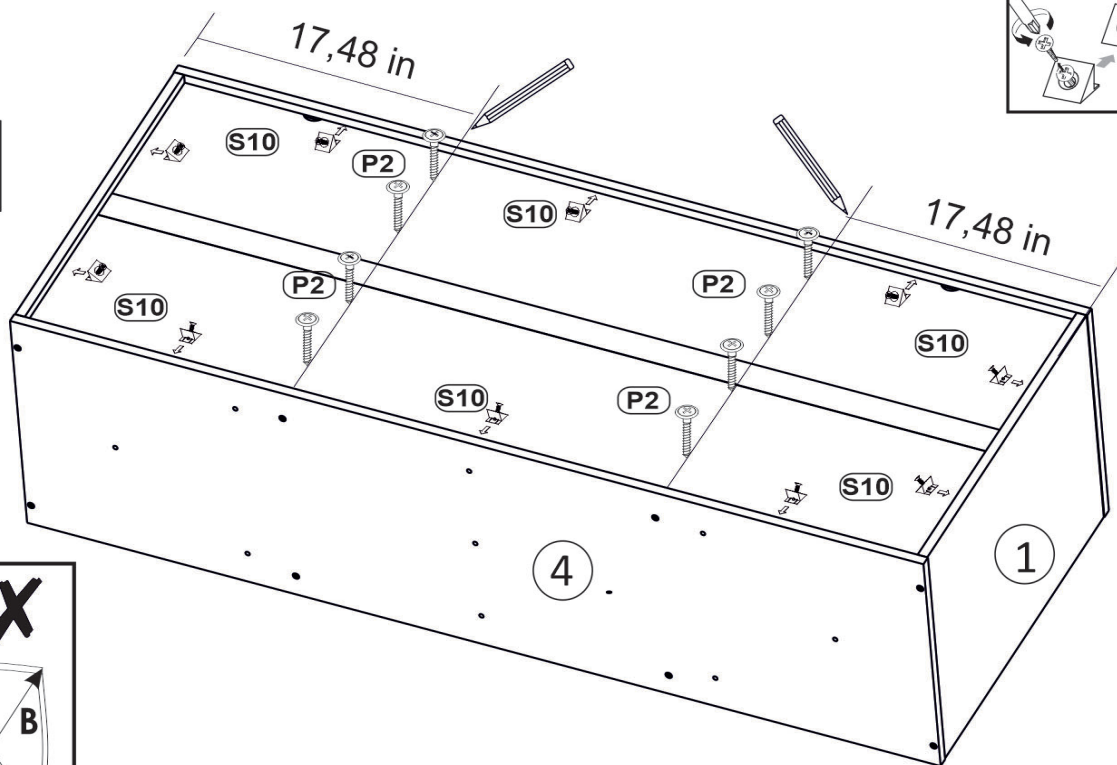
STEP 16





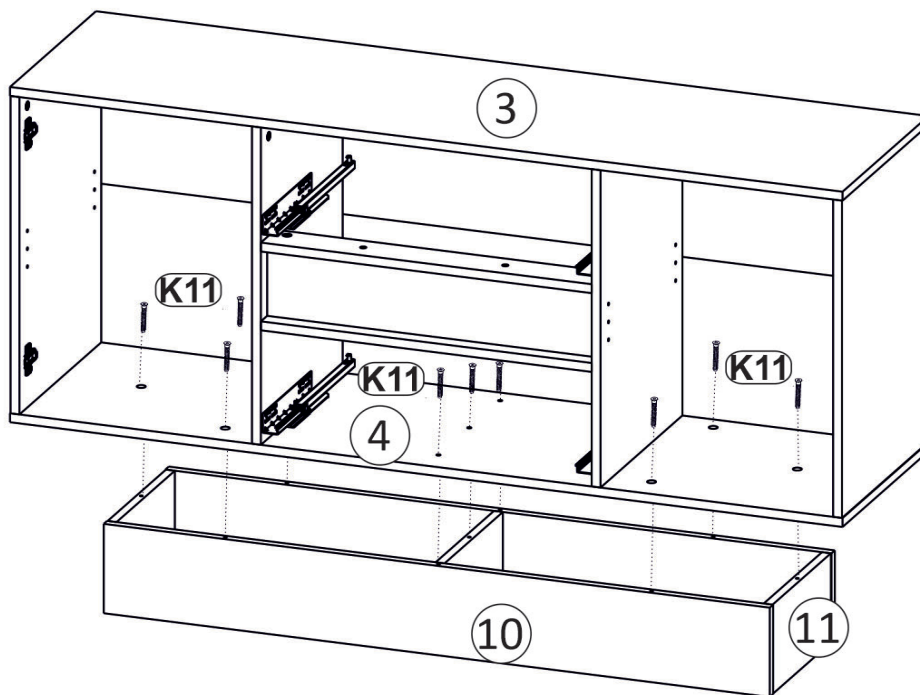
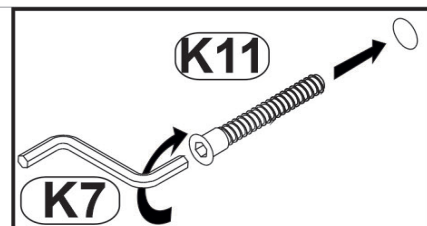
17

STEP 17



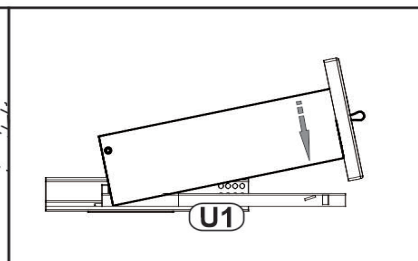
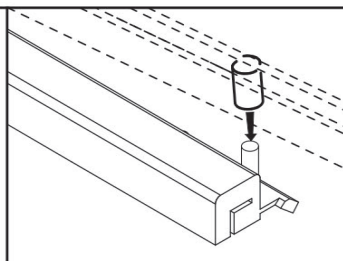
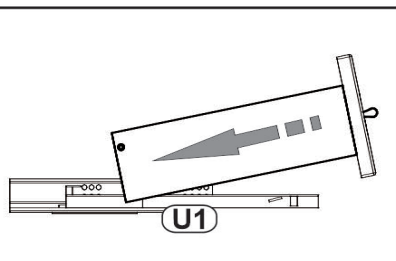
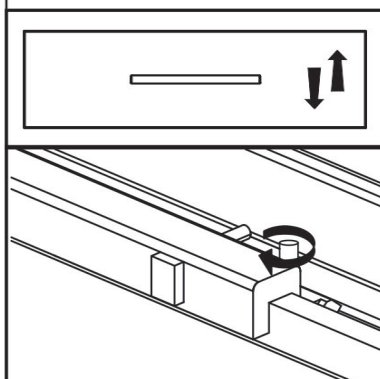
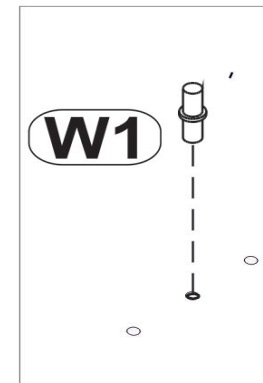
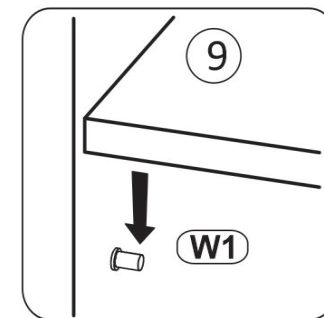
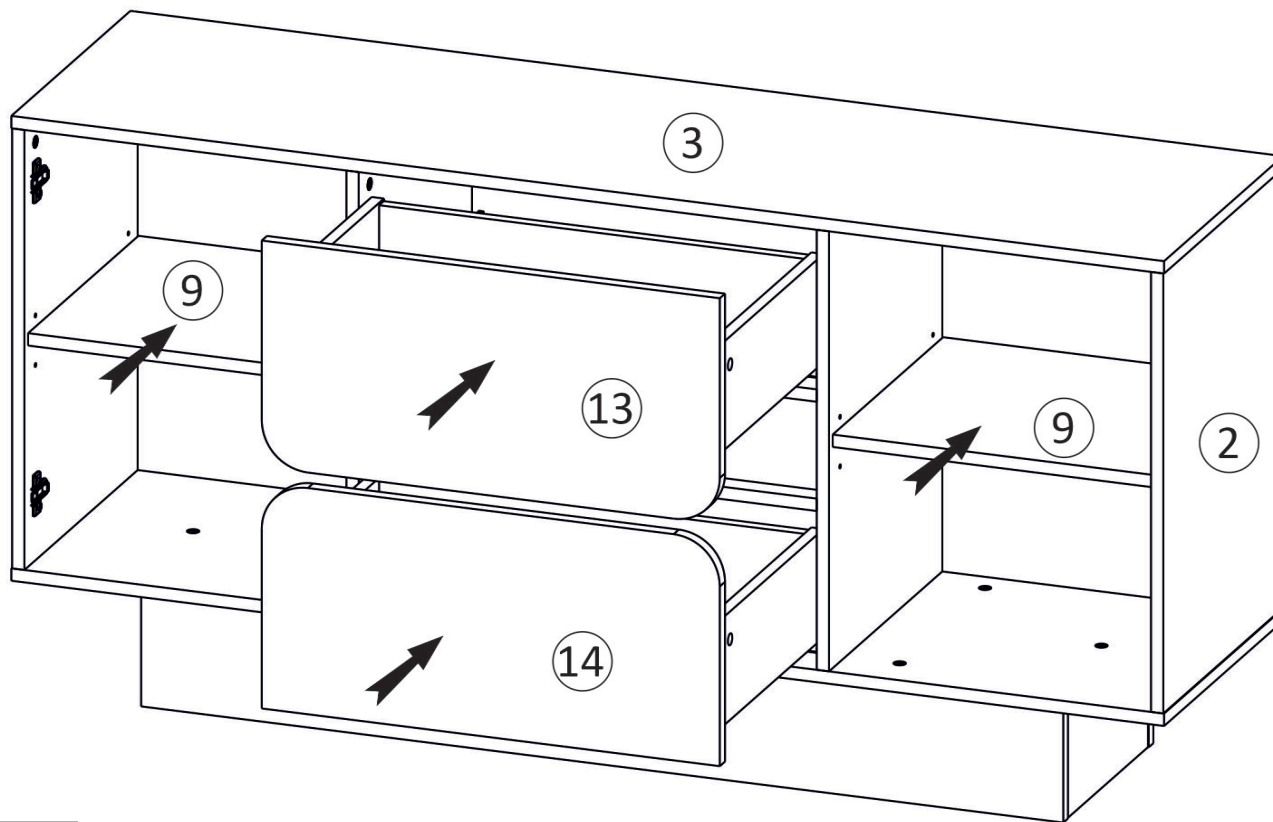
18

STEP 18



19

STEP 19



20

STEP 20

