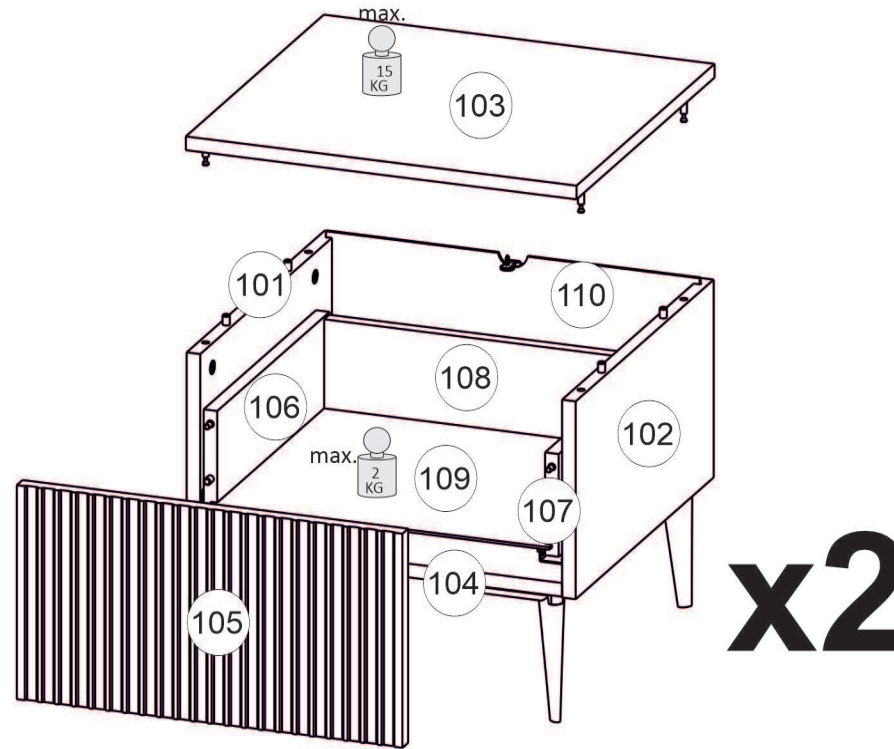
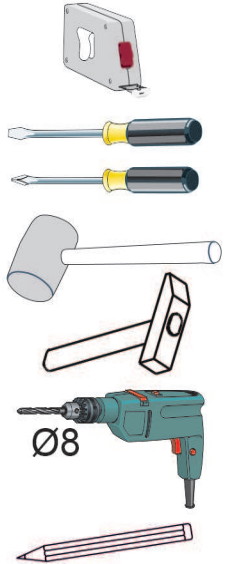
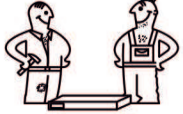


Model:  
Modell: *Nicole night stand 1sz low*

1/8

Do montażu potrzebne są:  
Für die Montage dieser Type  
benötigen Sie:

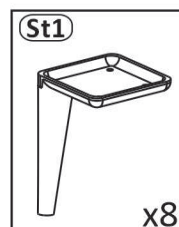
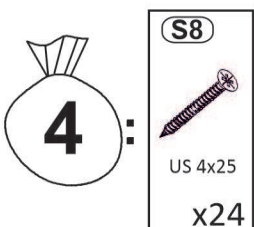
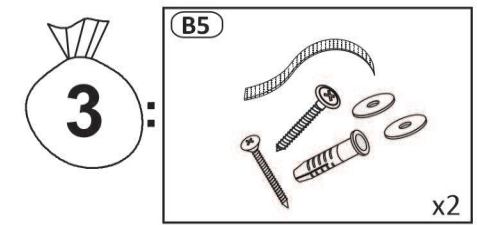
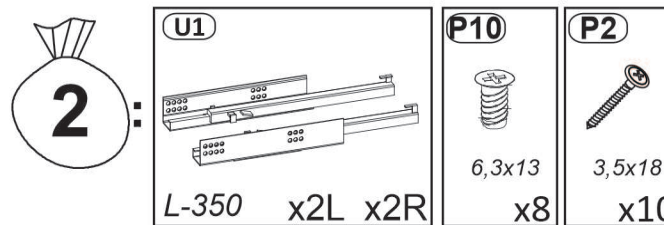
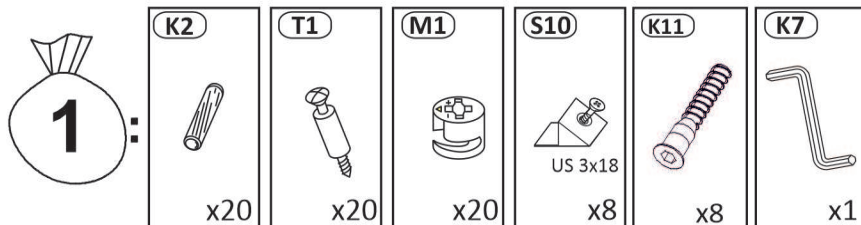
Na montáž budete potrebovať  
Potřebné k montáži



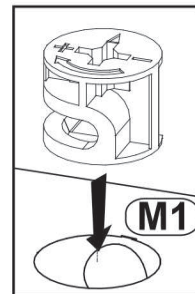
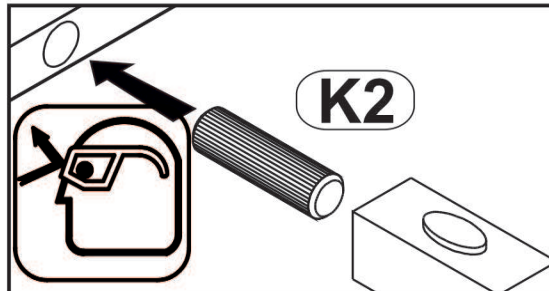
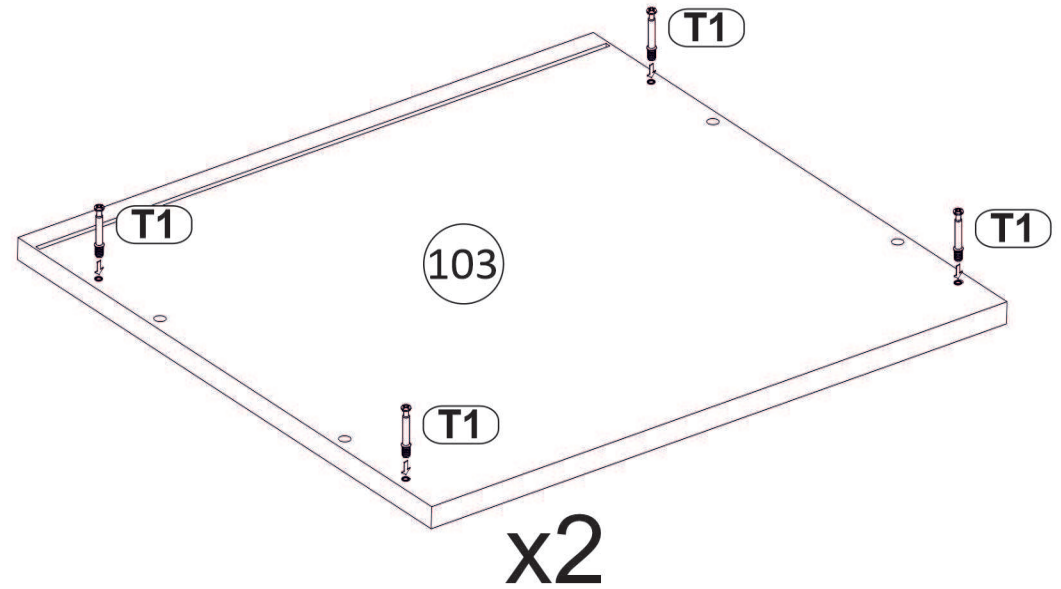
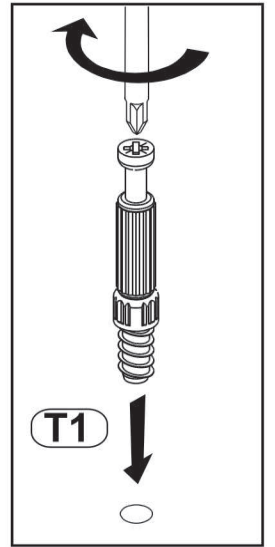
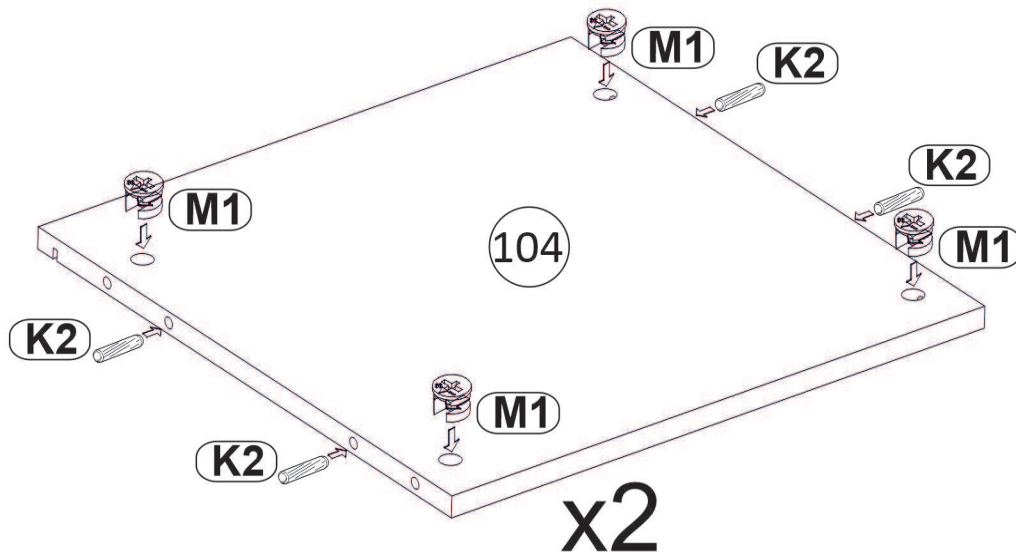
**PL INSTRUKCJA MONTAŻOWA**  
**D MONTAGEANLEITUNG**  
**GB ASSEMBLY INSTRUCTIONS**

D Sehr geehrter Kunde, sollte ein Teil fehlen oder beschädigt sein, kreuzen Sie bitte dieses deutlich auf der Montageanleitung an und schicken Sie zu uns ab.  
GB Dear customer, Should there be any place missing or damaged, kindly mark this place clearly on the attached assembly instructions and return it to us.

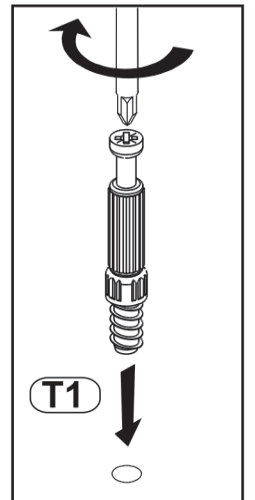
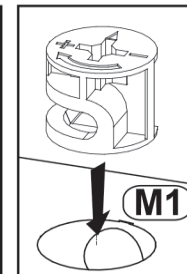
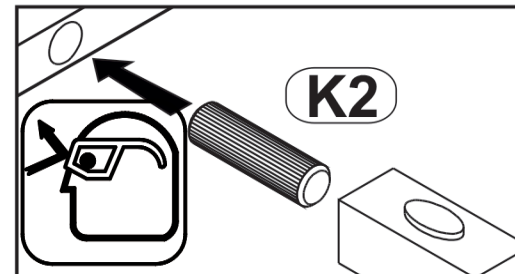
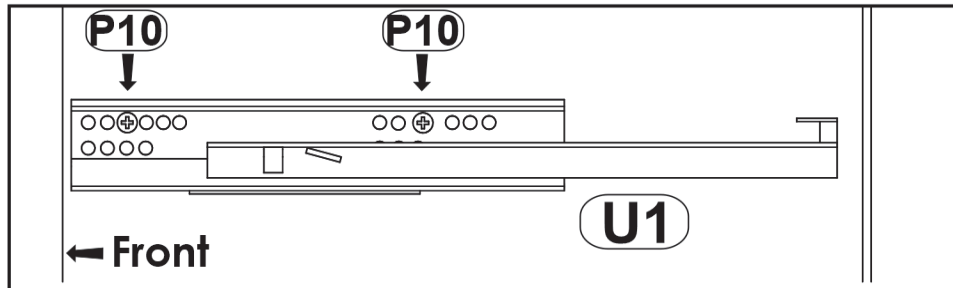
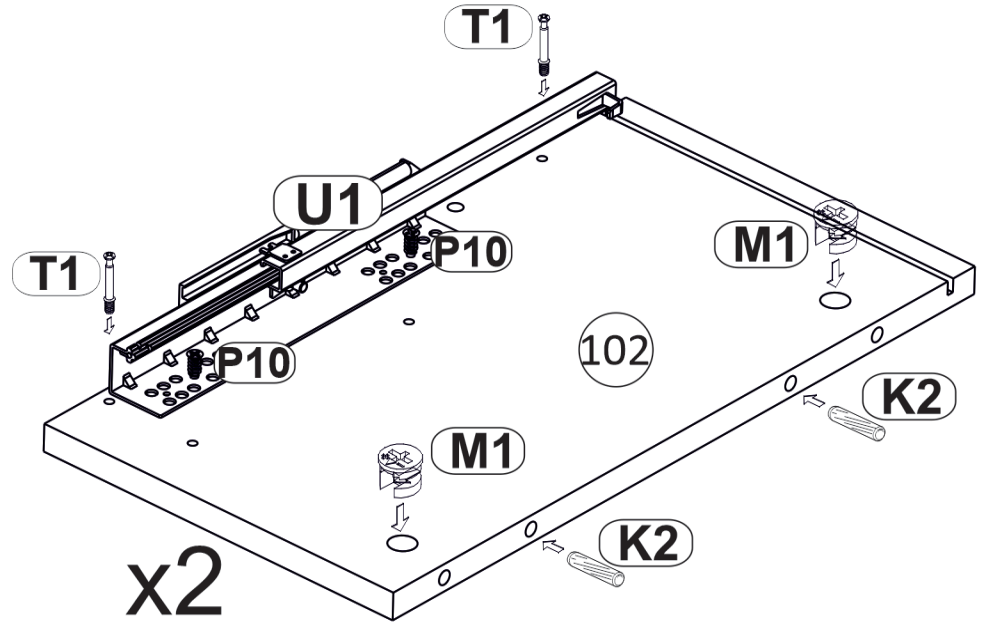
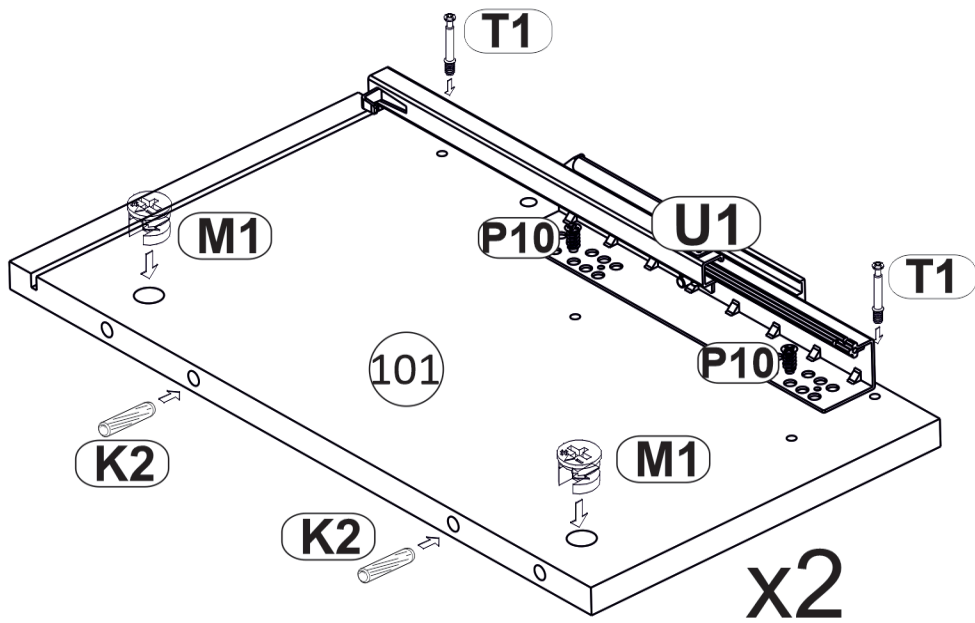
PL Szanowny Kliencie, gdyby brakowało jakiejś części lub byłaby uszkodzona proszę to oznaczyć krzyżykiem na instrukcji montażowej i przesłać instrukcję razem z reklamacją.



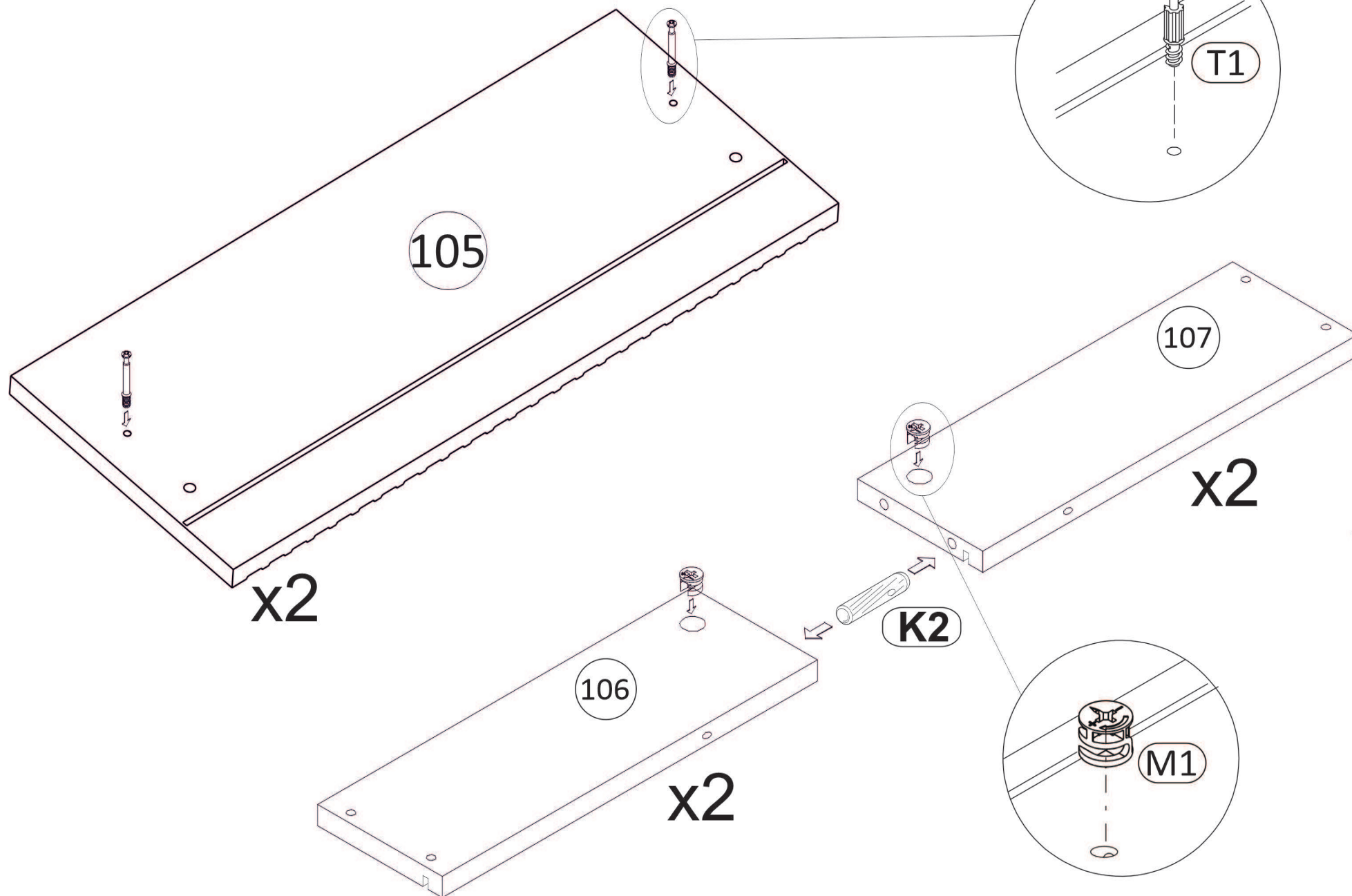
1



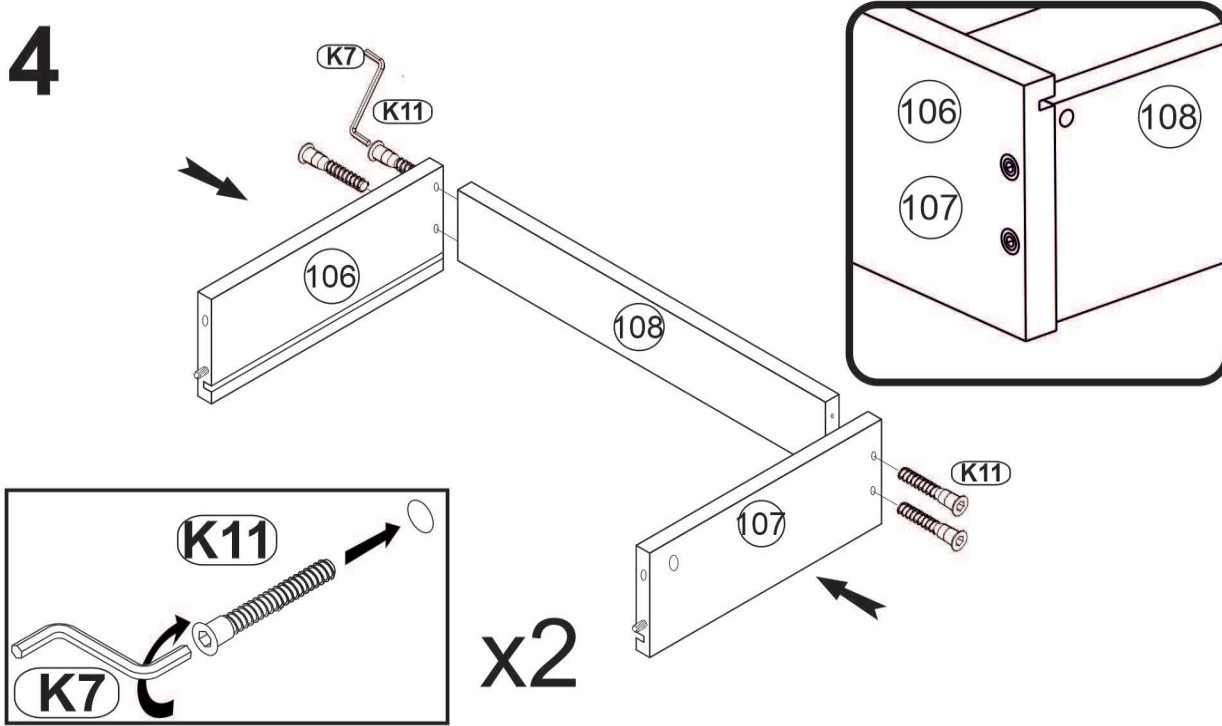
# 2



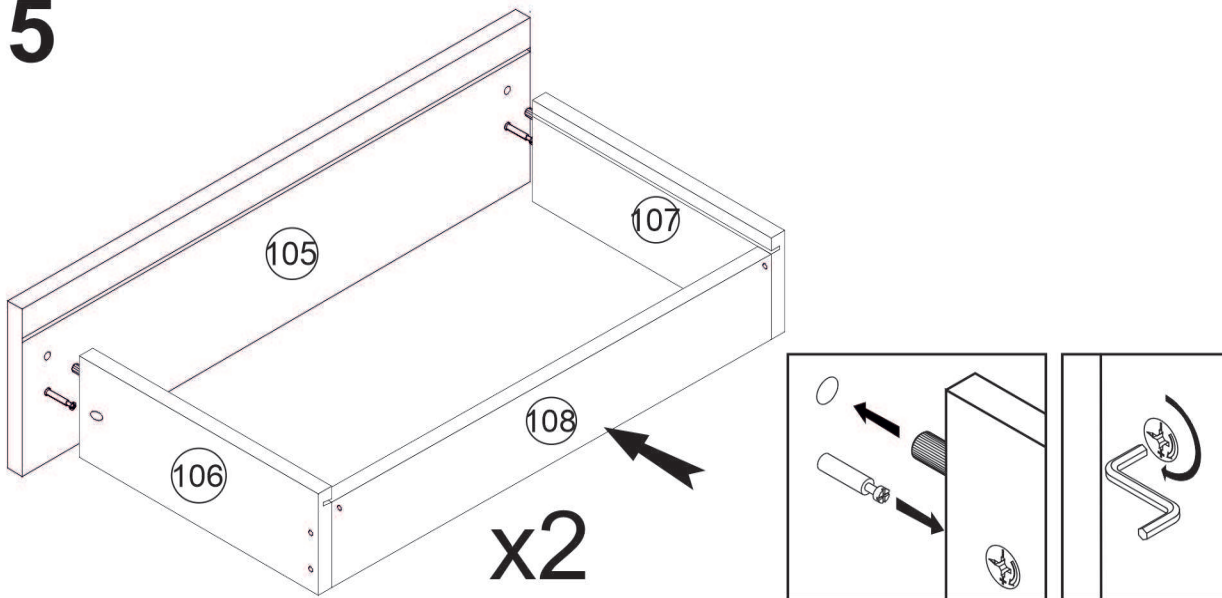
3



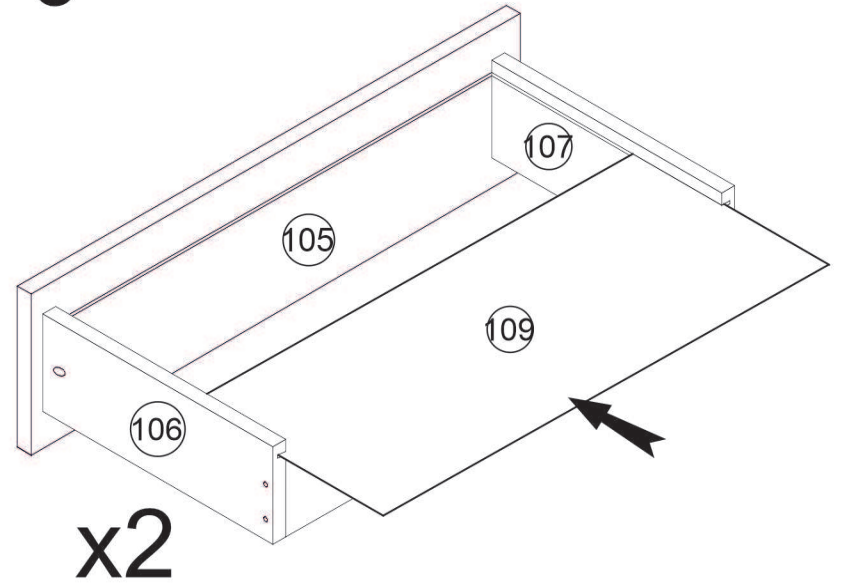
4



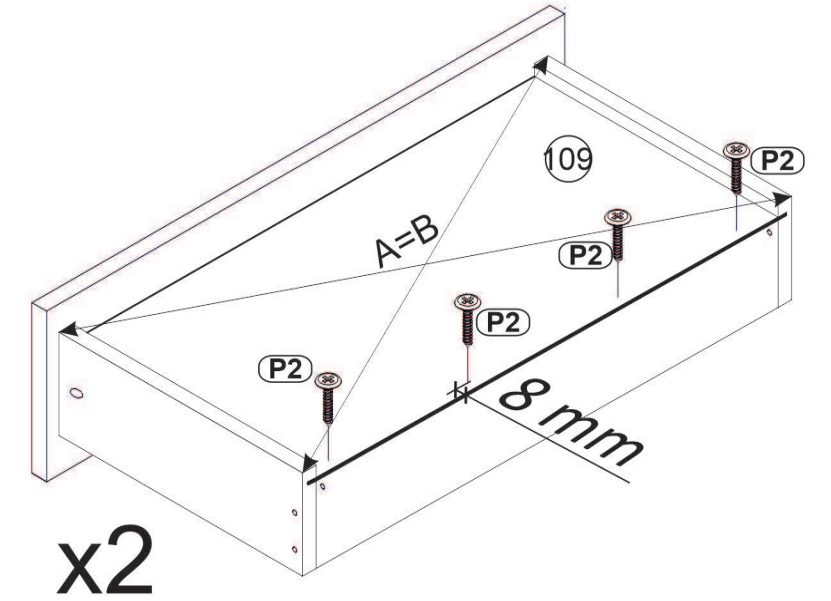
5



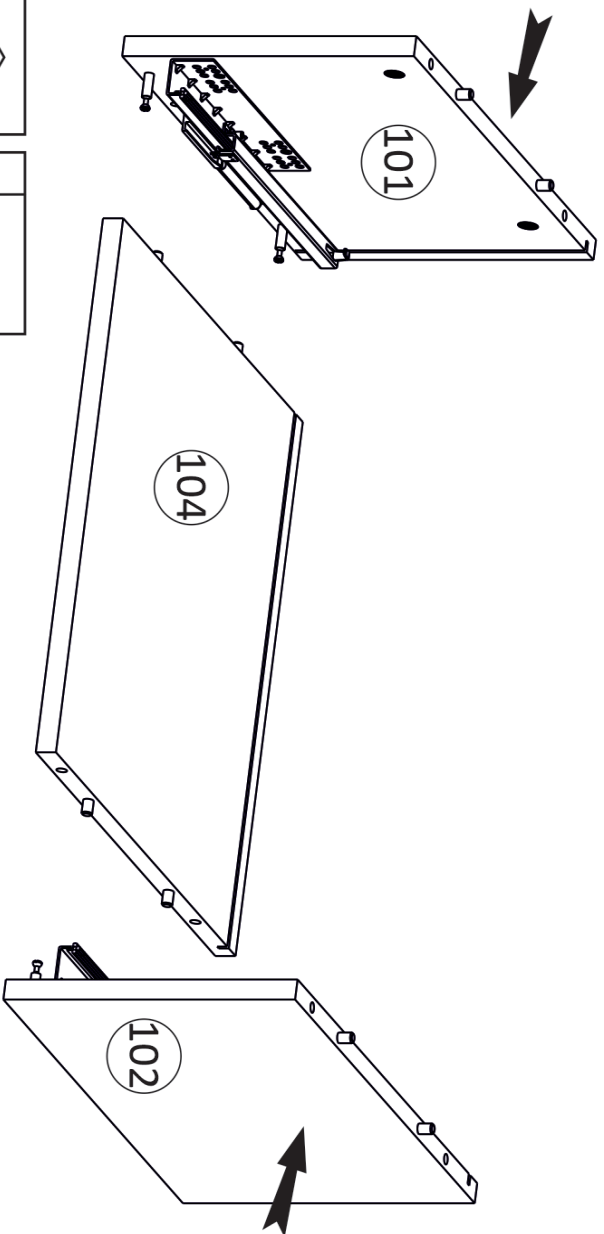
6



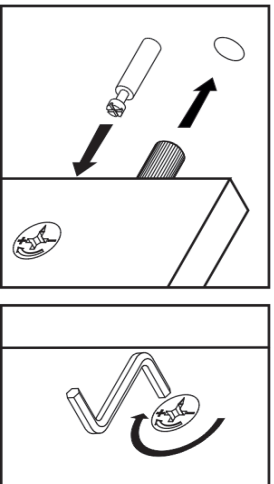
7



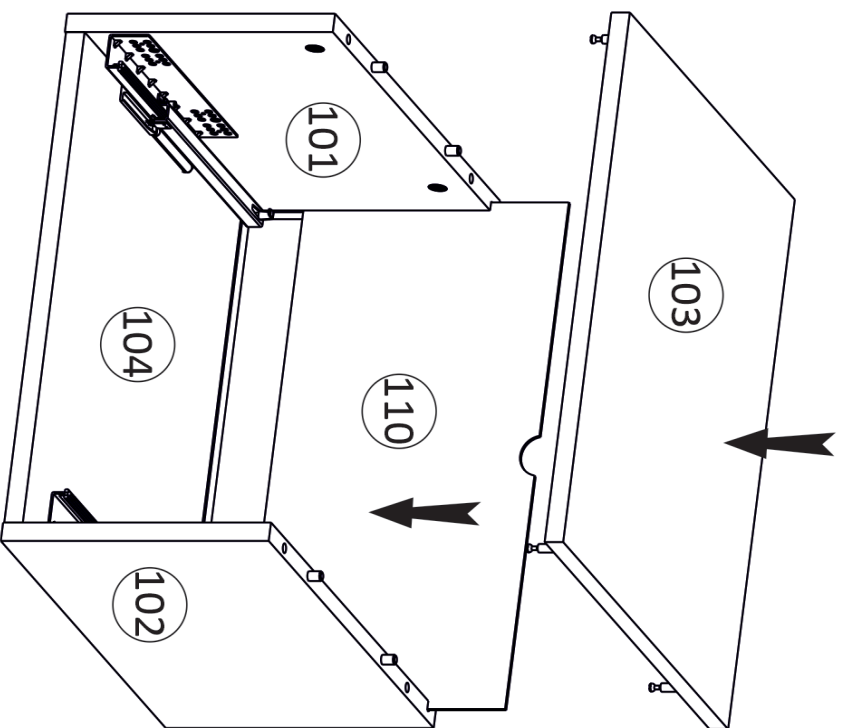
8



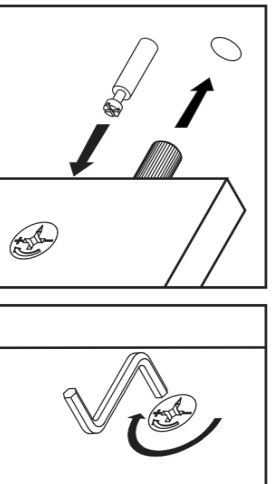
X2



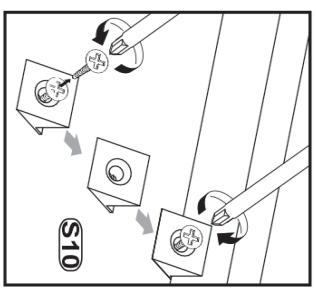
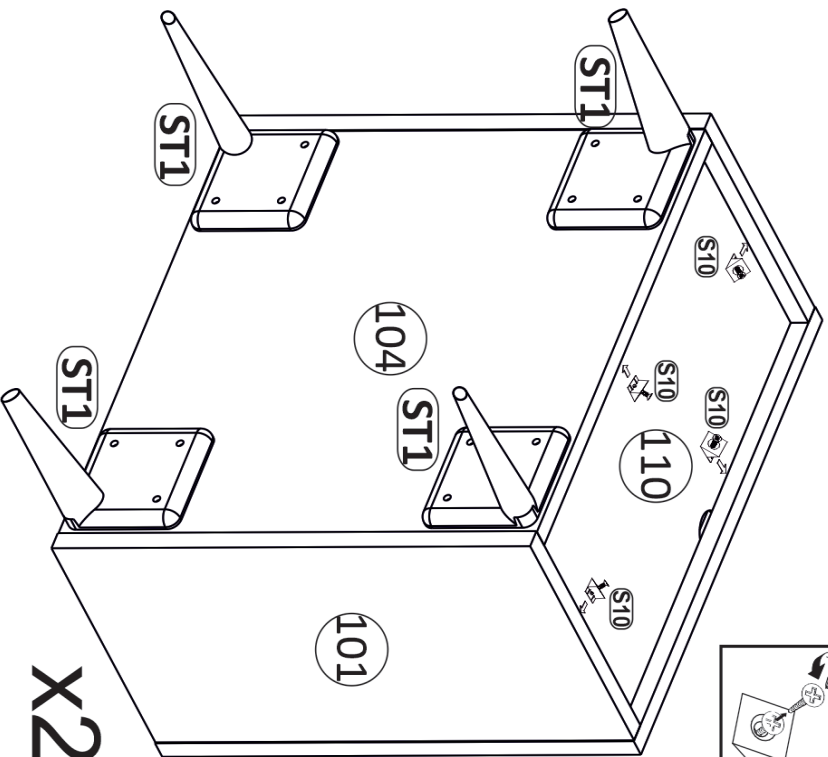
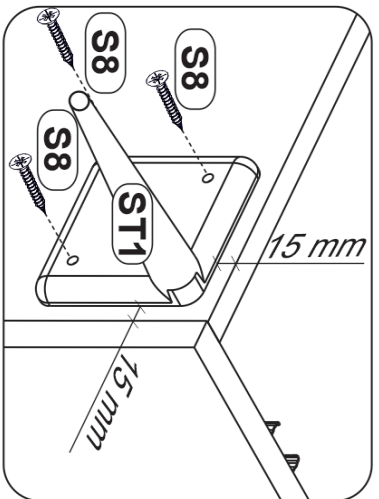
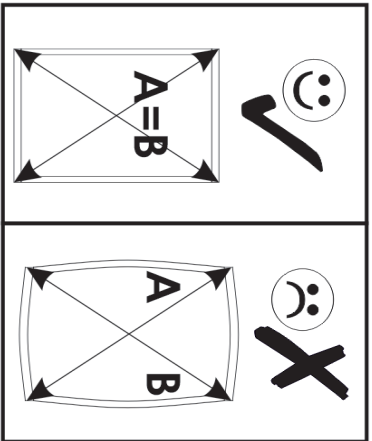
9



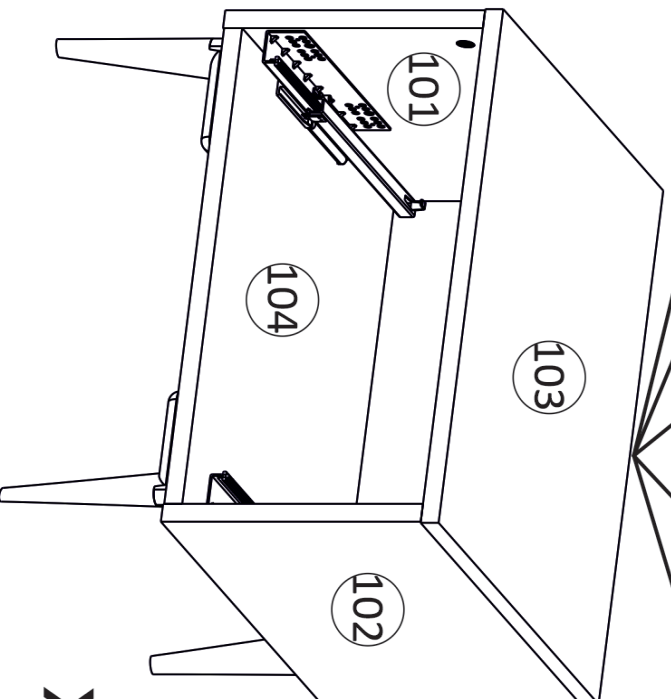
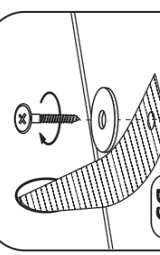
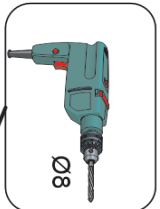
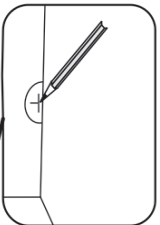
X2



# 10

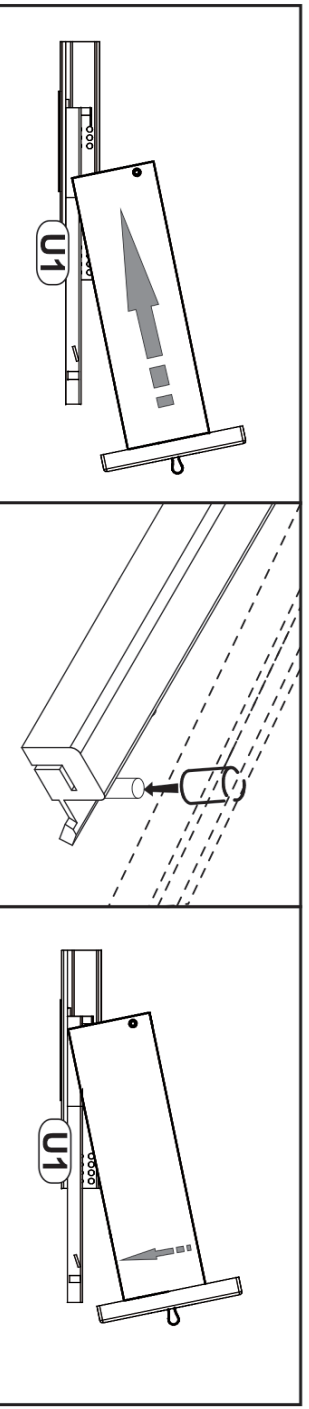
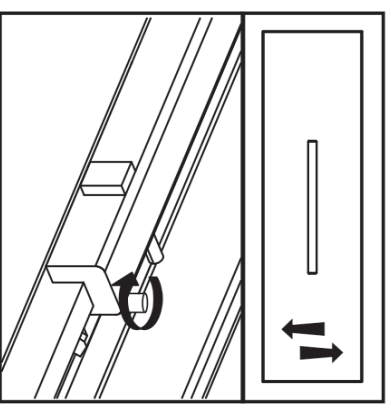
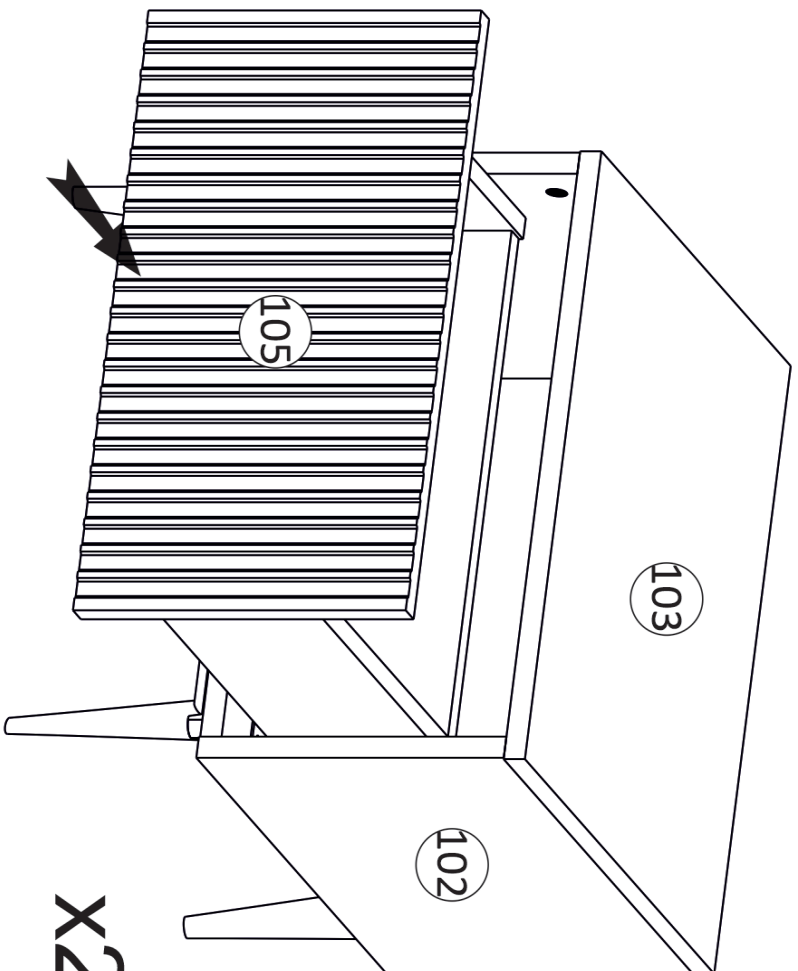


# 11



X2

# 12





# Claim your extended 90 day product warranty by registering your product at [www.meblefurniture.com/register](http://www.meblefurniture.com/register)

**ATTENTION: DO NOT RETURN THIS PRODUCT!!!  
PLEASE READ THE FOLLOWING!!!**

**FOR REPLACEMENT/MISSING PARTS:**  
[www.meblefurniture.com/parts](http://www.meblefurniture.com/parts)

**FOR INSTRUCTION/ASSEMBLY MANUALS  
AND VIDEOS:**  
[www.meblefurniture.com/assembly](http://www.meblefurniture.com/assembly)

**ALL OTHER INQUIRIES:**  
[help@meblefurniture.com](mailto:help@meblefurniture.com)

**IF YOU ARE MISSING PARTS OR YOUR  
PRODUCT ARRIVED DAMAGED:**  
Please fill out a parts request form at  
[www.meblefurniture.com/parts](http://www.meblefurniture.com/parts)

Replacement parts are shipped out in one business day. You will receive a tracking number via email once your parts request has been processed.



**IF YOU ARE MISSING AN INSTRUCTION  
MANUAL OR NEED ASSEMBLY HELP:**  
Please visit [www.meblefurniture.com/assembly](http://www.meblefurniture.com/assembly)  
to access our library of product assembly videos  
or to download product instruction manuals.

**NOTICE REGARDING HIGH GLOSS  
PROTECTIVE FOIL AND PRODUCT CARE:**  
After removing the protective foil from the gloss fronts, the acrylic surface of the boards is still soft and easy to scratch. With air contact, the hygroscopic acrylic layer hardens, and the board becomes more resistant to scratches. It takes approximately 48 hours for the acrylic layer of the board to fully harden.

**DO NOT CLEAN, WIPE, OR POLISH THE  
ACRYLIC FRONTS FOR 48 HOURS AFTER  
REMOVING THE PROTECTIVE FOIL!!!**

  
meble  
FURNITURE

[help@meblefurniture.com](mailto:help@meblefurniture.com)