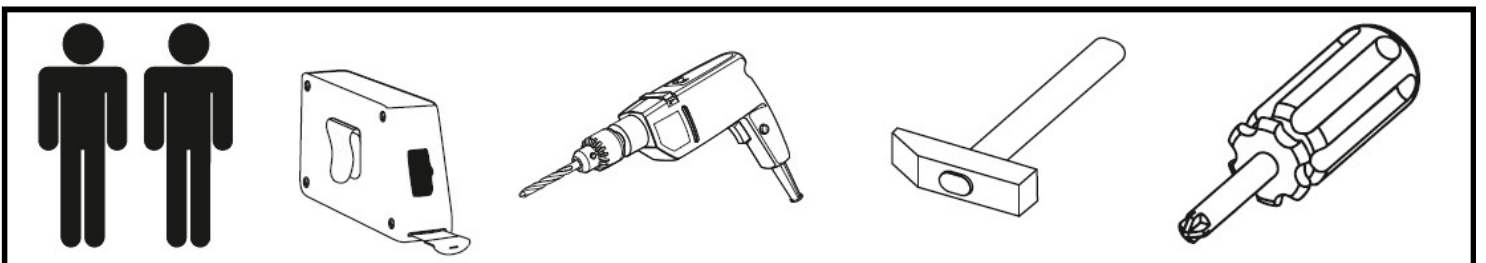
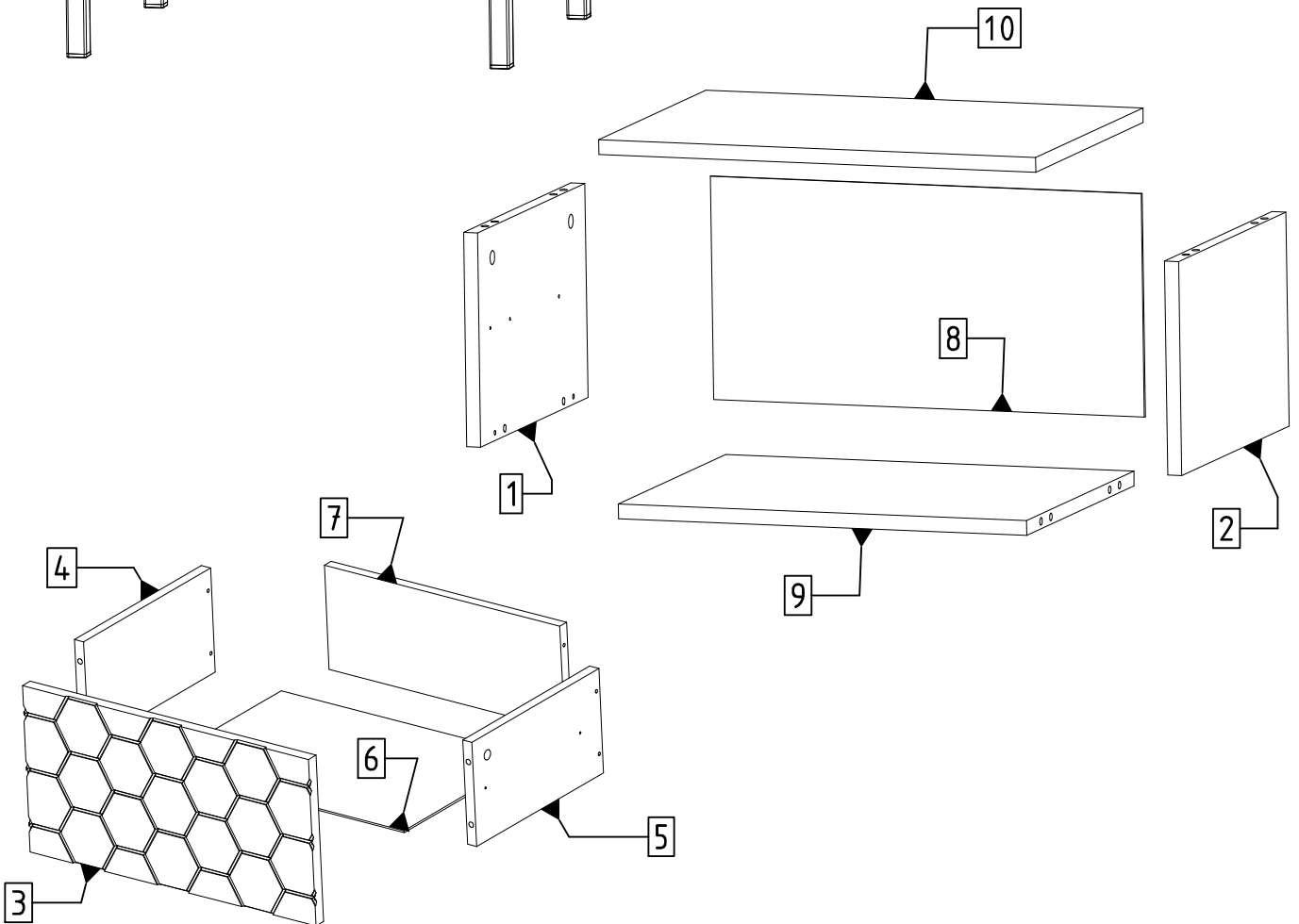
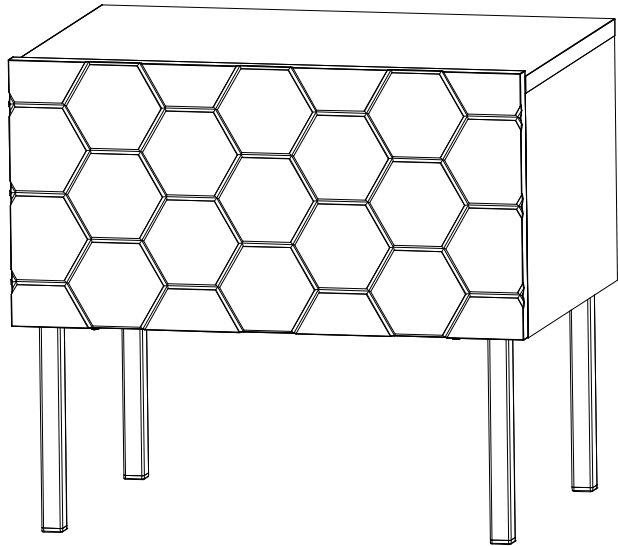


HEXA

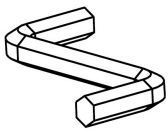
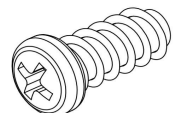
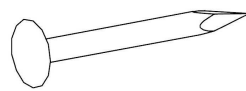
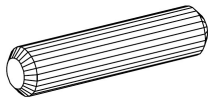
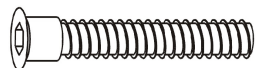

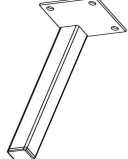
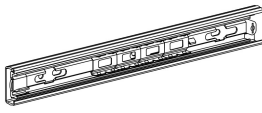

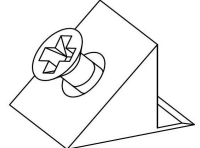
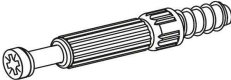
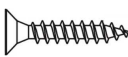
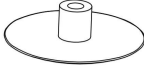
HEXA04

OP-135



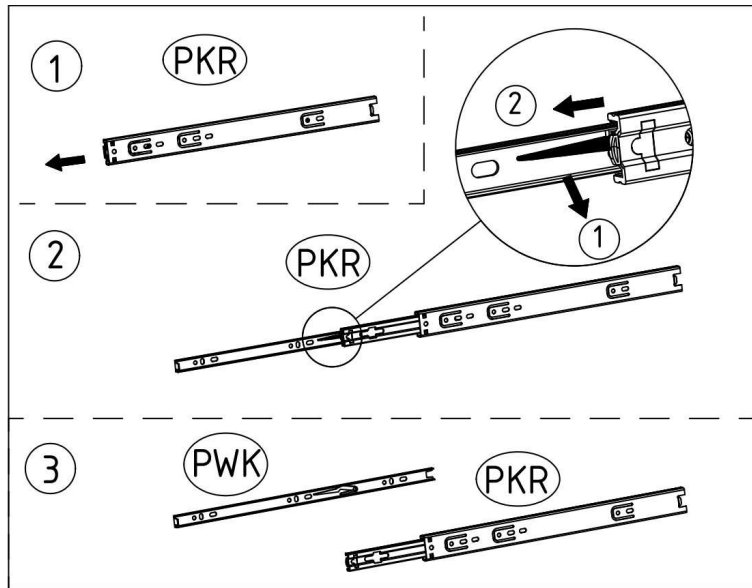
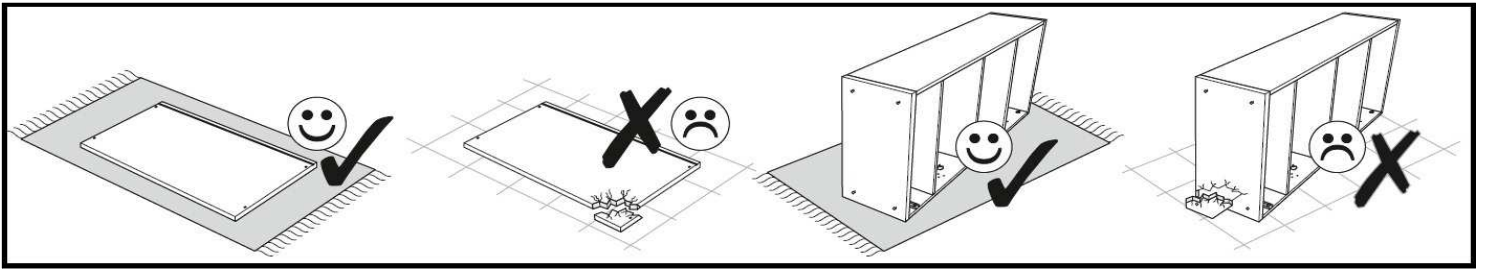
## Table accessories

### HEXA 04

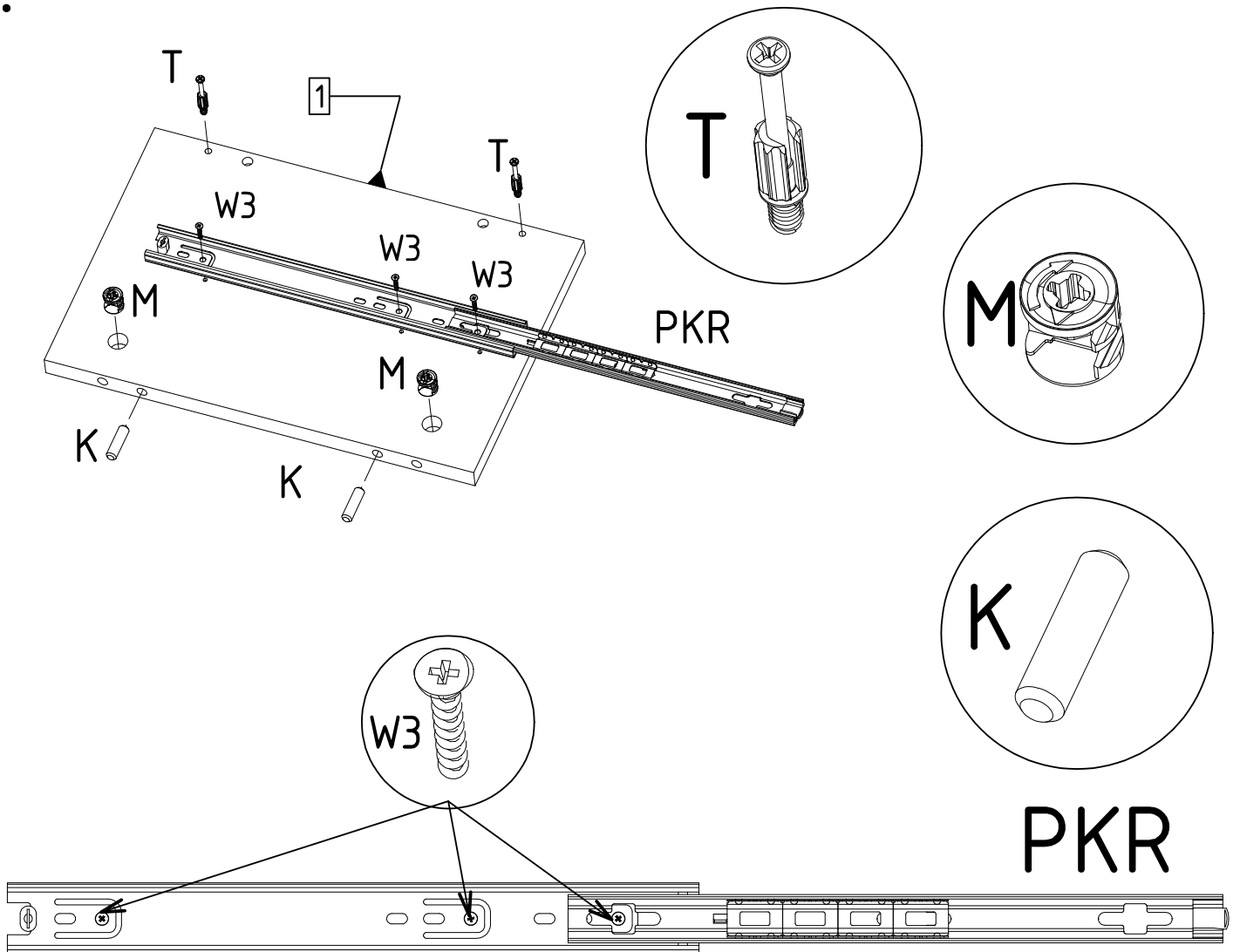
 <b>A1</b>	6,3 X 13  <b>E13</b>	 <b>G</b>	8 x 30  <b>K</b>	6,3 X 50  <b>KN</b>
15 x 12  <b>M</b>	h= 200mm  <b>NZ</b>	L300  <b>PKR</b>	L300  <b>PWK</b>	 <b>ST</b>
6 x 34 mm  <b>T</b>	3 x 16mm  <b>W3</b>	 <b>Z</b>		

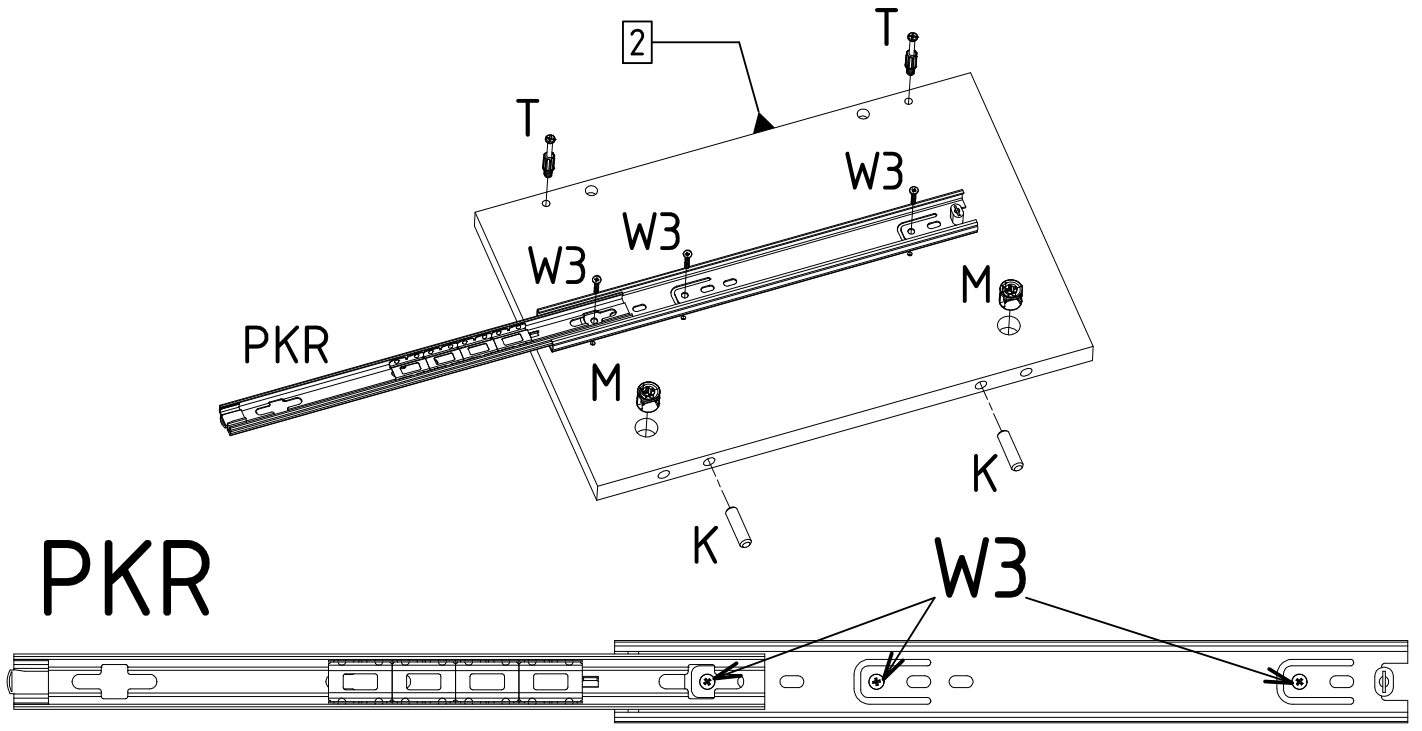
Elements				Accessories	
SYMBOL	LENGTH	WIDTH	QUANTITY	SYMBOL	QUANTITY
BL [1]	13.78	9.21	1	A1	1
BP [2]	13.78	9.21	1	E13	12
FTS [3]	19.65	10.04	1	G	21
KBL [4]	11.81	6.3	1	K	10
KBP [5]	11.81	6.3	1	KN	4
KD [6]	17.28	11.97	1	M	10
KT [7]	16.18	6.3	1	NZ_H=200mm	4
PC [8]	19.41	9.61	1	PKR [L=300mm]	2
WD [9]	18.39	13.78	1	PWK [L=300mm]	2
WG [10]	19.69	13.78	1	ST	2
				T	10
				W3	10
				Z	10



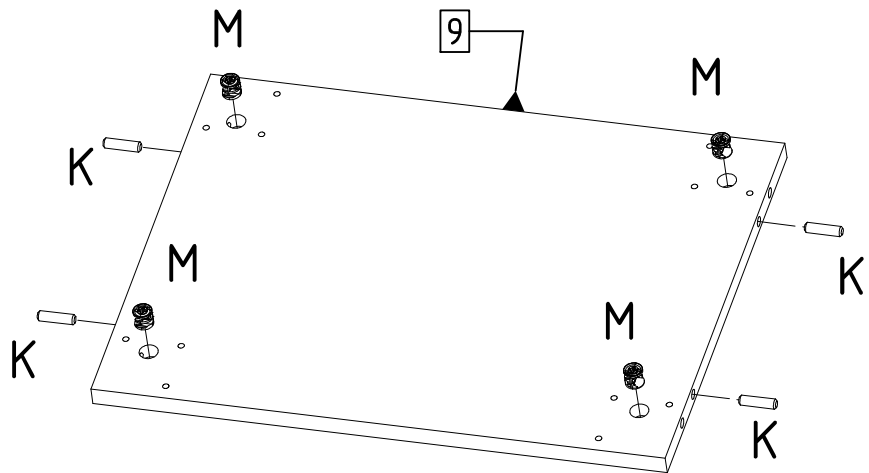


1.

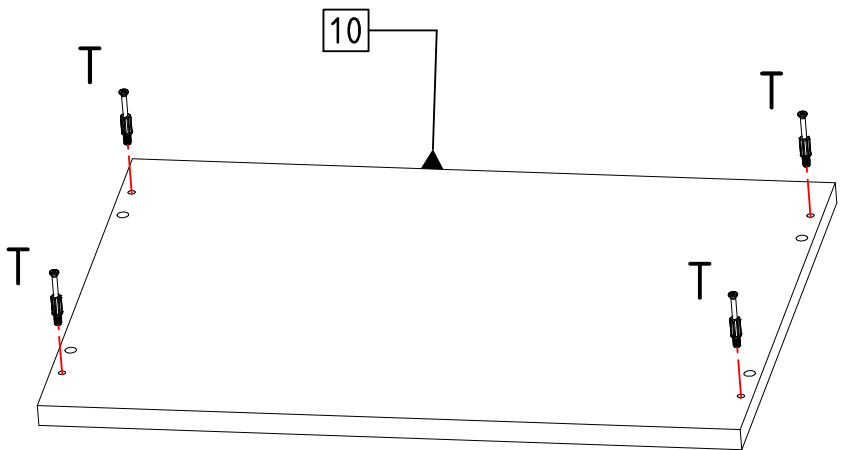




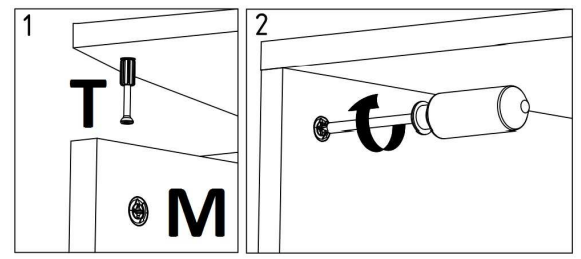
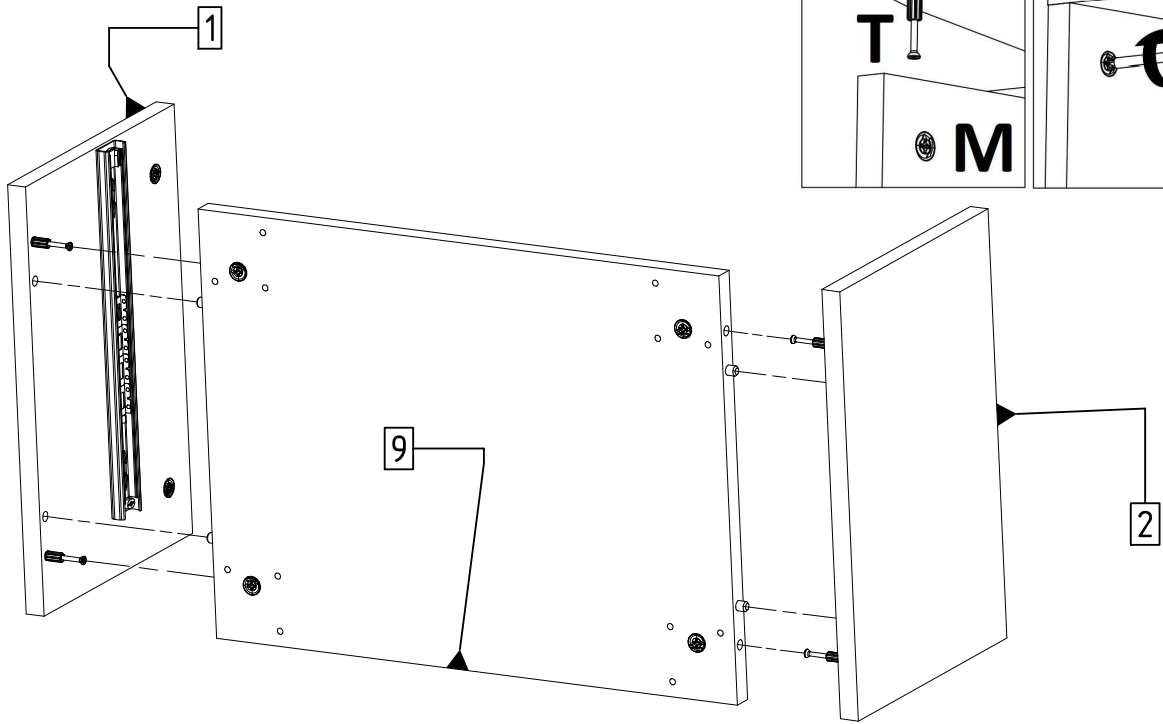
2.



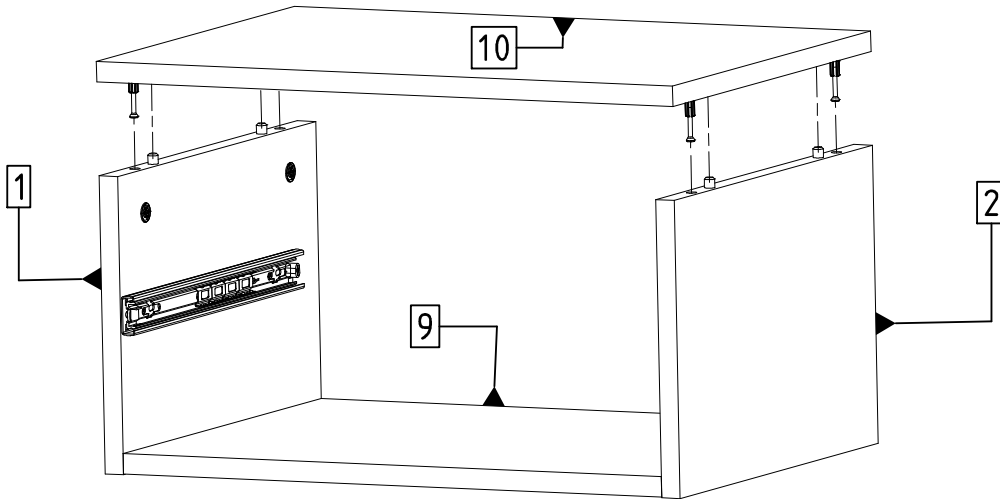
3.



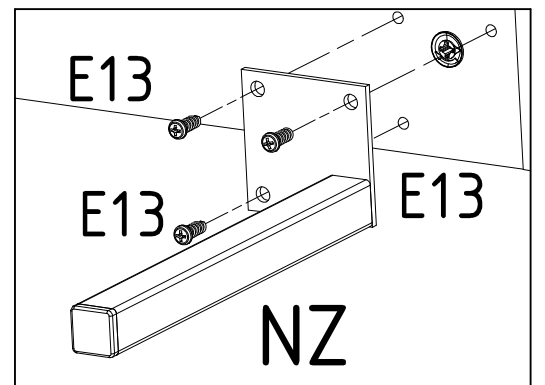
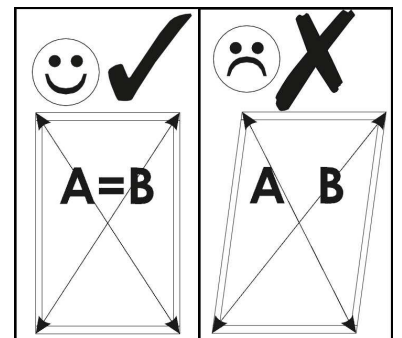
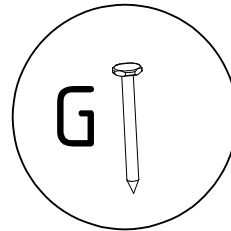
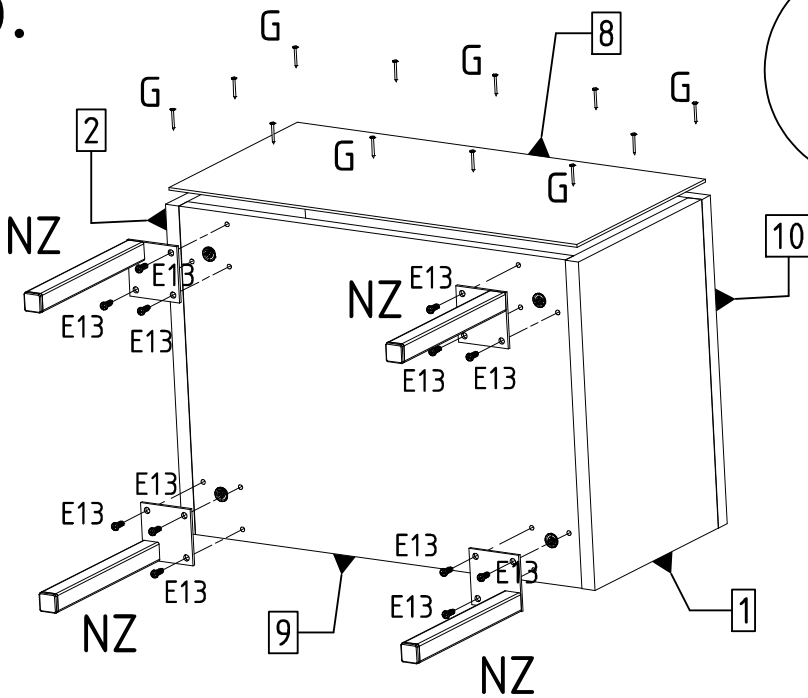
4.



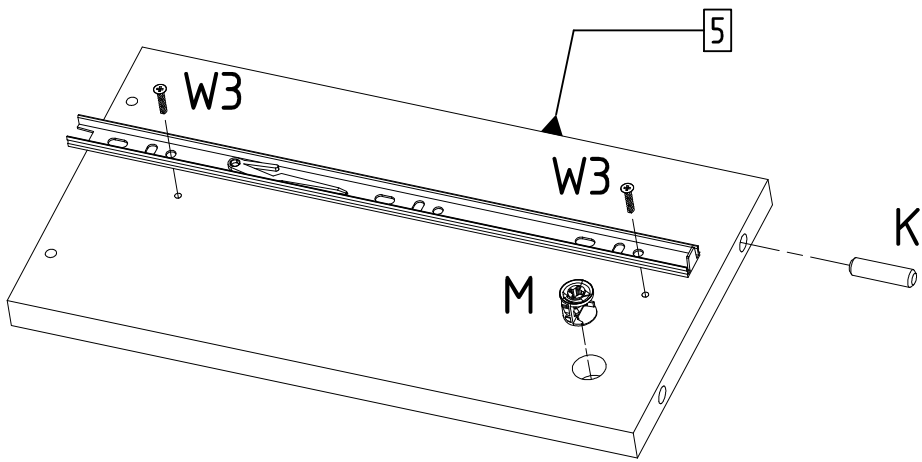
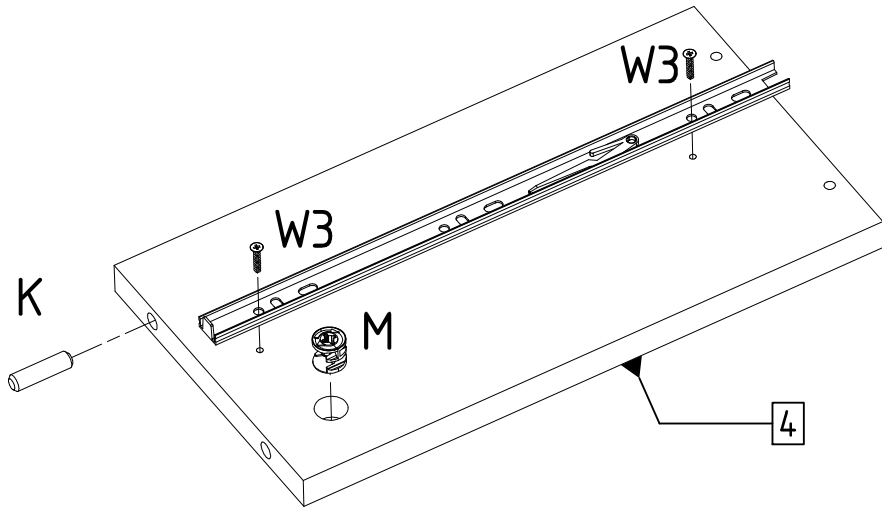
5.



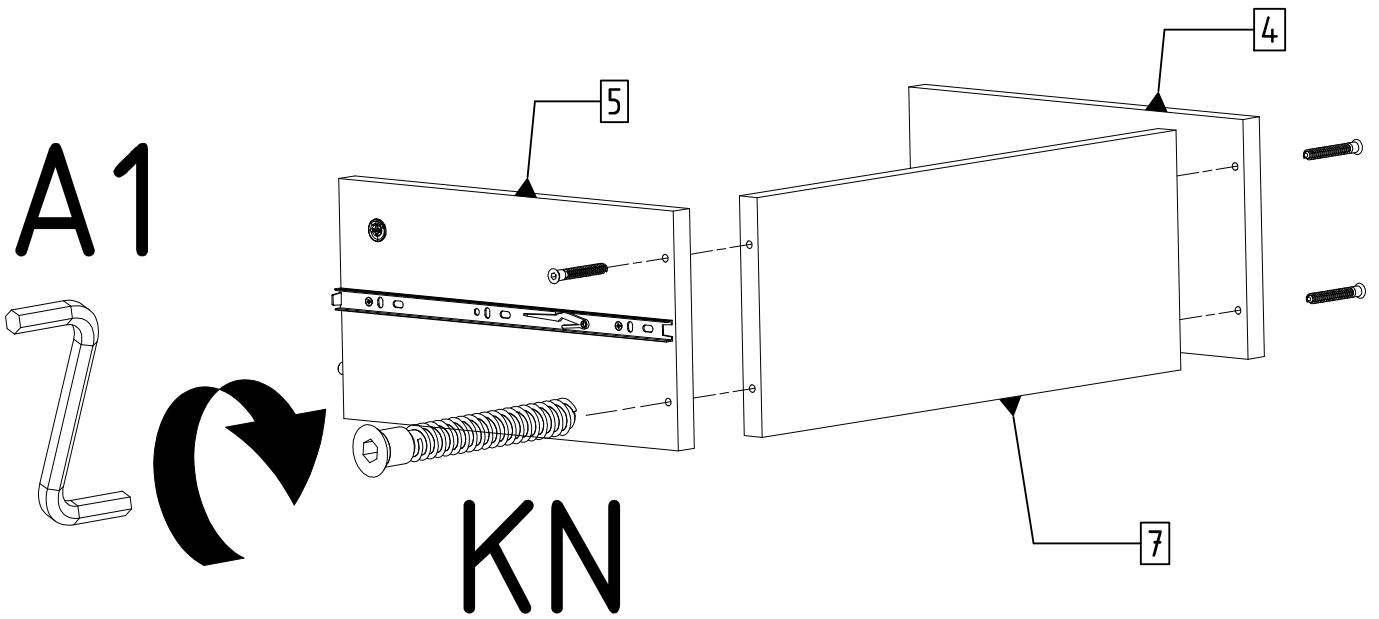
6.



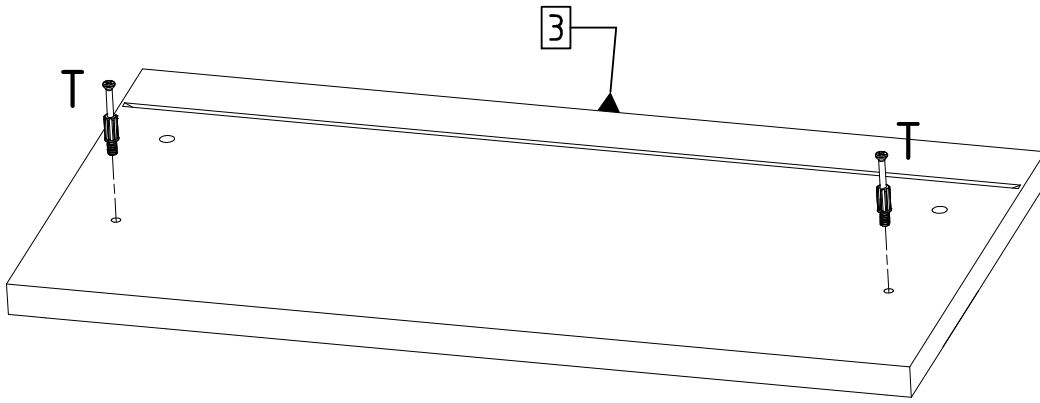
7.



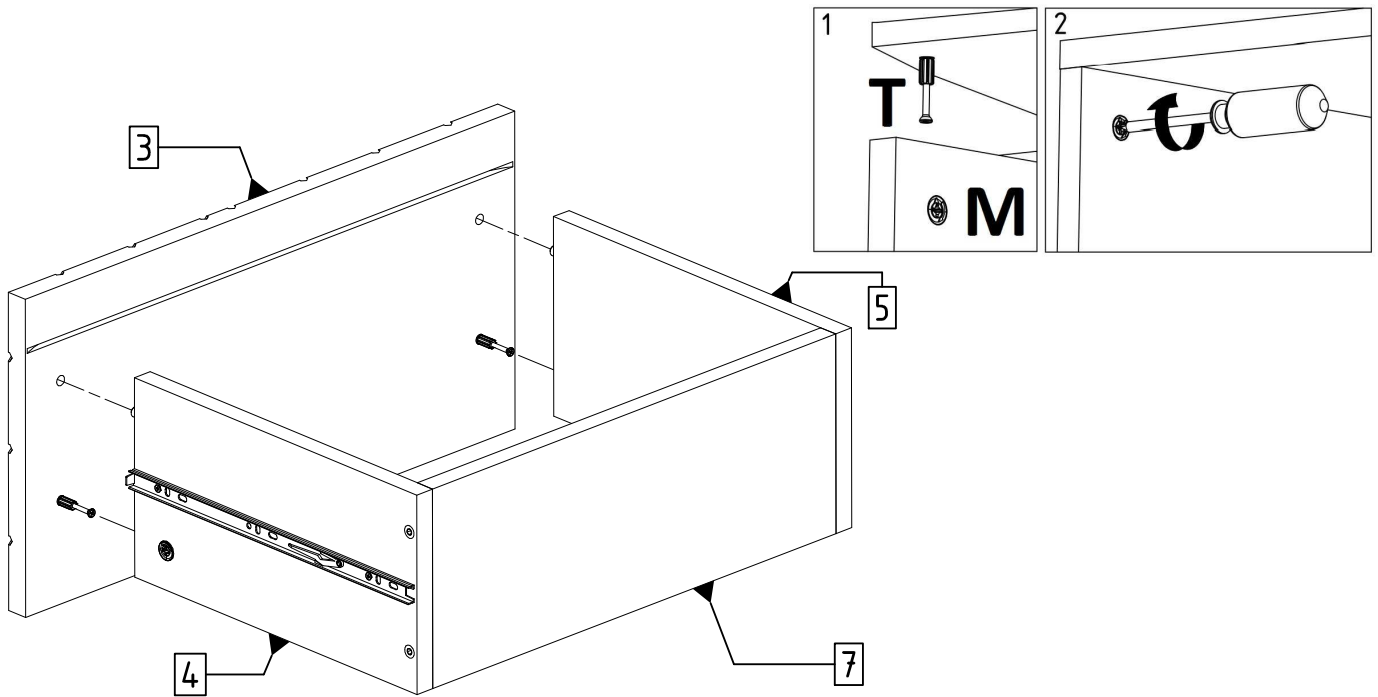
8.



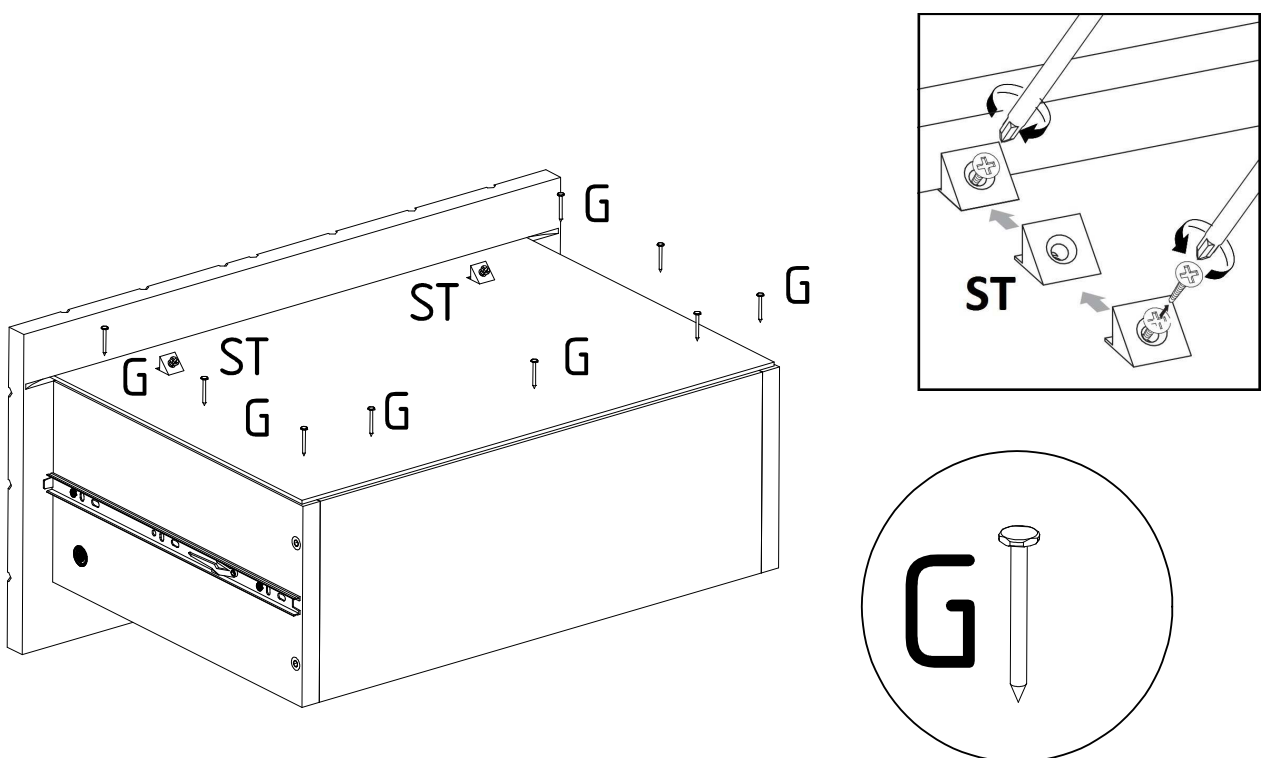
9.

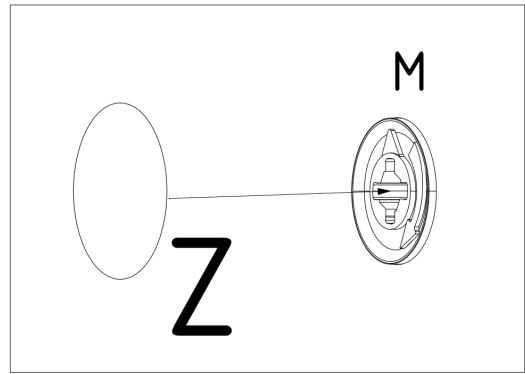


10.



11.





max.  
5 kg

