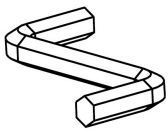
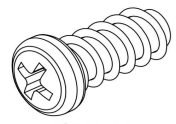
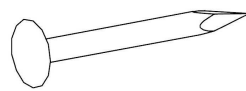
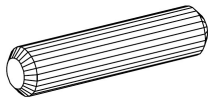
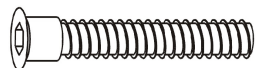

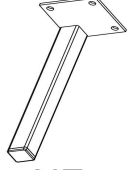
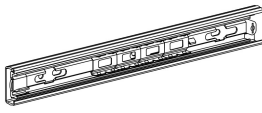

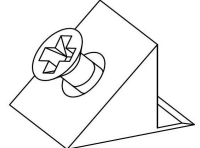
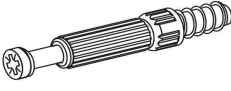
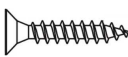
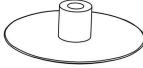


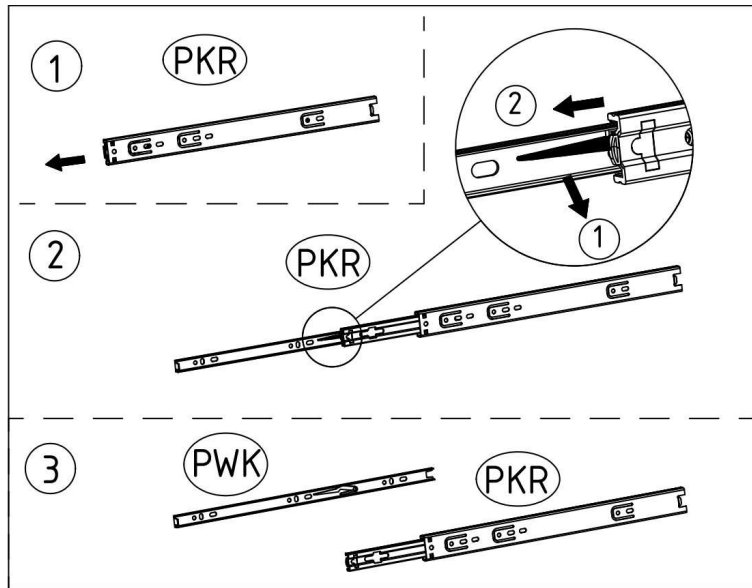
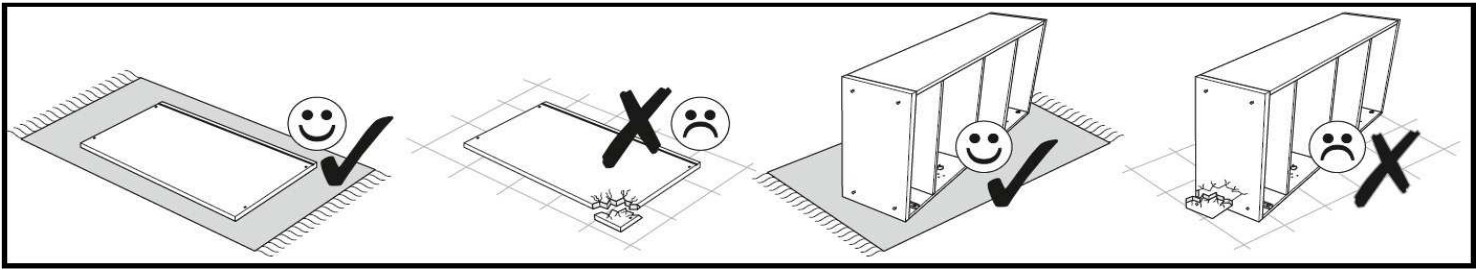
Table accessories

EXITO 04

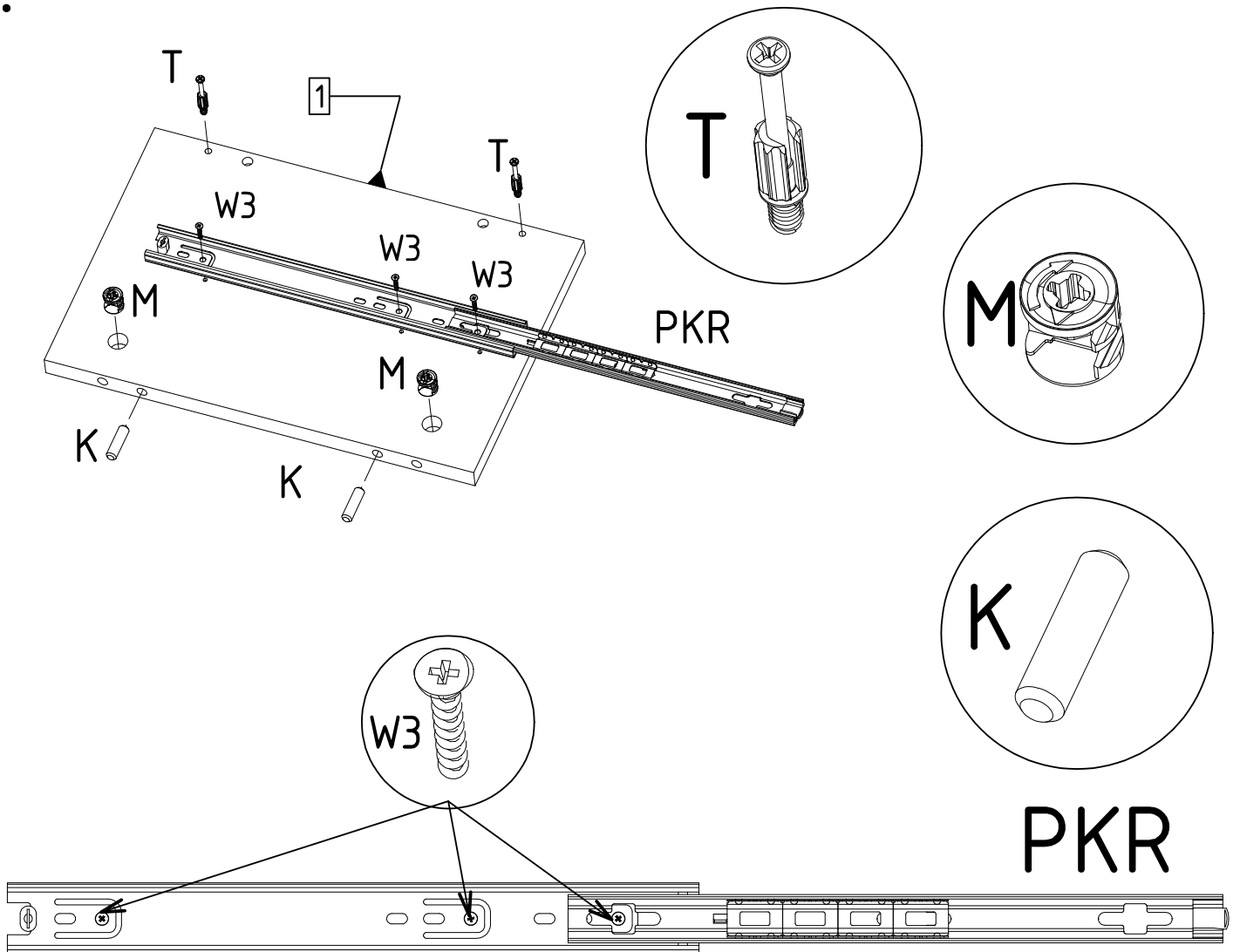
 A1	6,3 X 13  E13	 G	8 x 30  K	6,3 X 50  KN
15 x 12  M	h= 200mm  NZ	L300  PKR	L300  PWK	 ST
6 x 34 mm  T	3 x 16mm  W3	 Z		

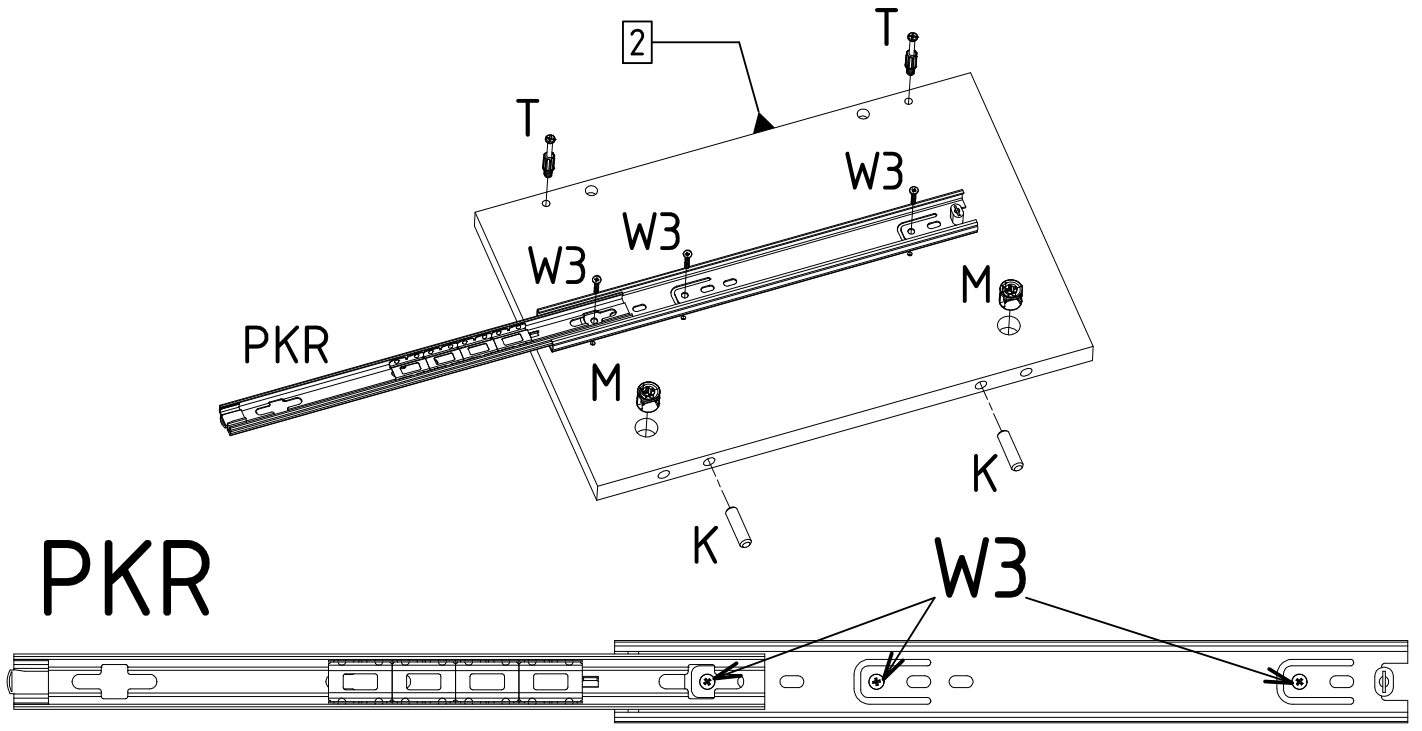
Elements				Accessories	
SYMBOL	LENGTH	WIDTH	QUANTITY	SYMBOL	QUANTITY
BL [1]	13.78	9.21	1	A1	1
BP [2]	13.78	9.21	1	E13	12
FTS [3]	19.65	10.04	1	G	21
KBL [4]	11.81	6.3	1	K	10
KBP [5]	11.81	6.3	1	KN	4
KD [6]	17.28	11.97	1	M	10
KT [7]	16.18	6.3	1	NZ_H=200mm	4
PC [8]	19.41	9.61	1	PKR [L=300mm]	2
WD [9]	18.39	13.78	1	PWK [L=300mm]	2
WG [10]	19.69	13.78	1	ST	2
				T	10
				W3	10
				Z	10



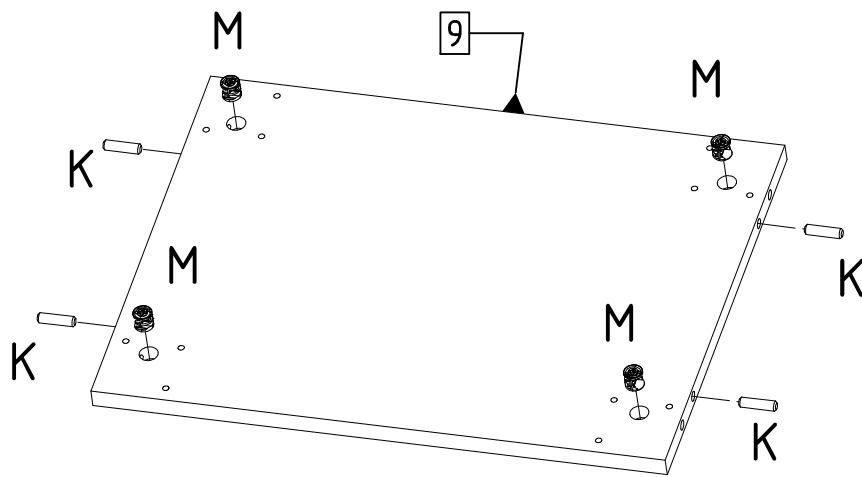


1.

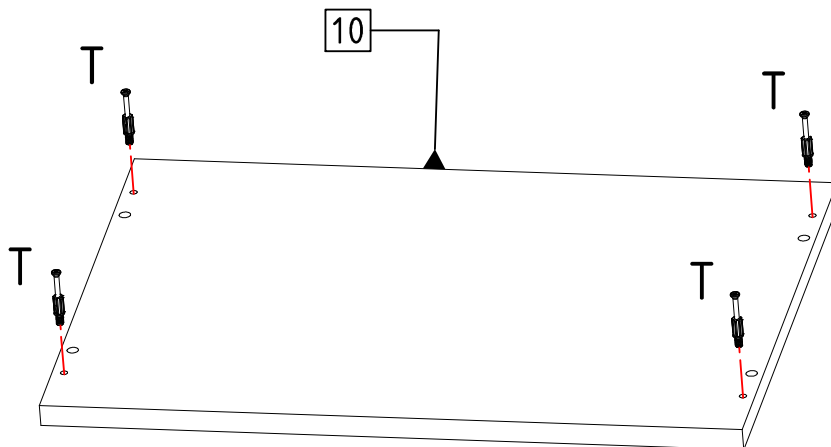




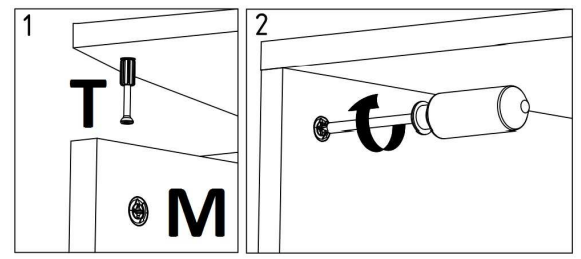
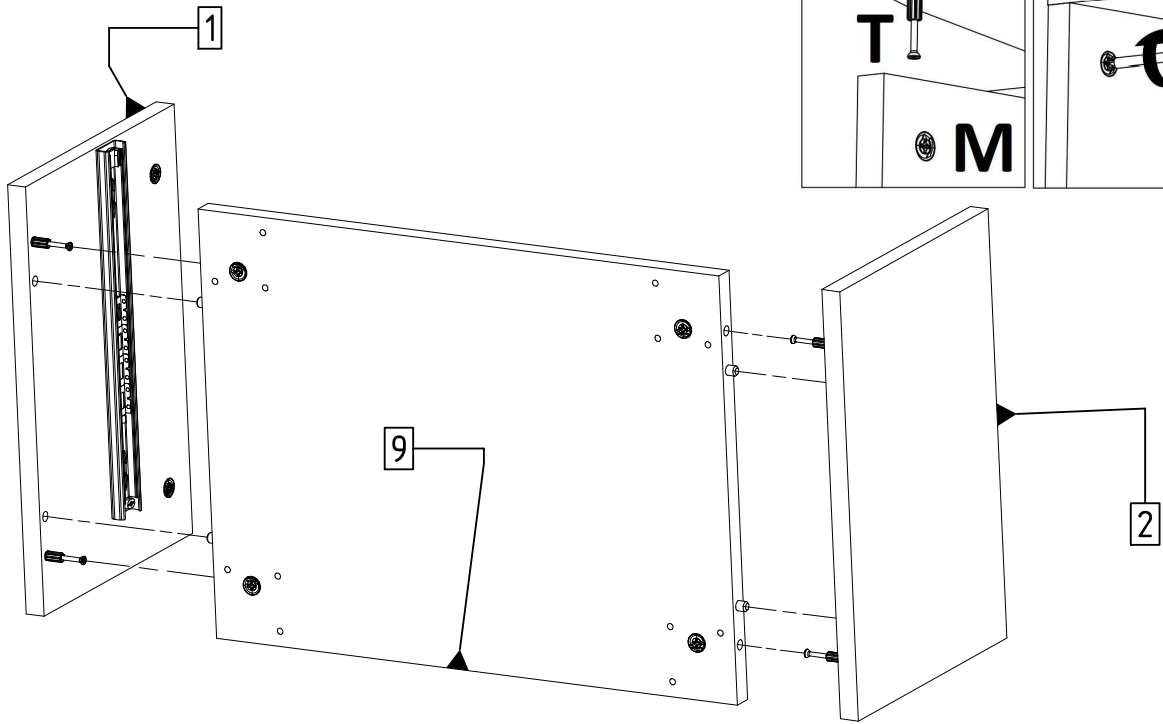
2.



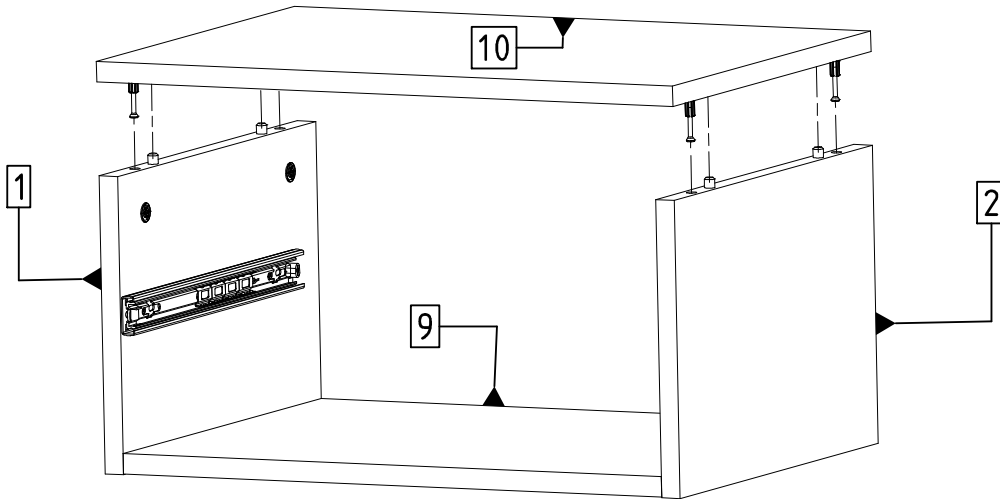
3.



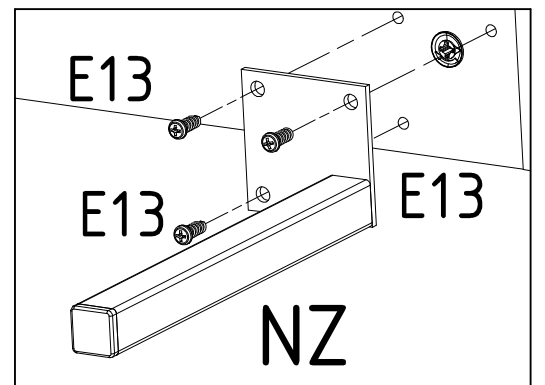
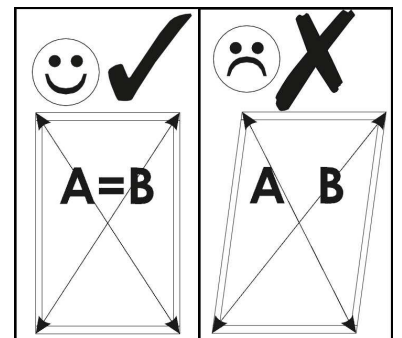
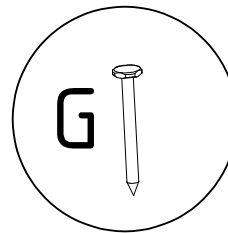
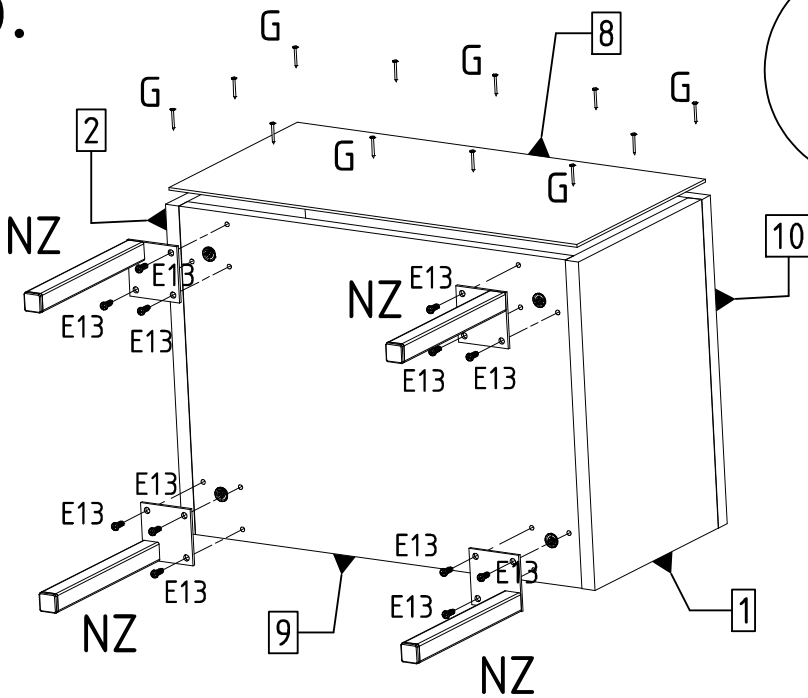
4.



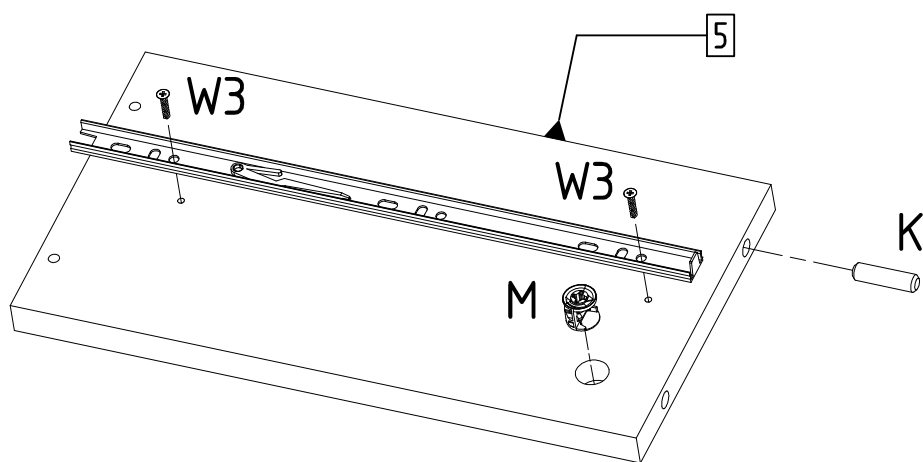
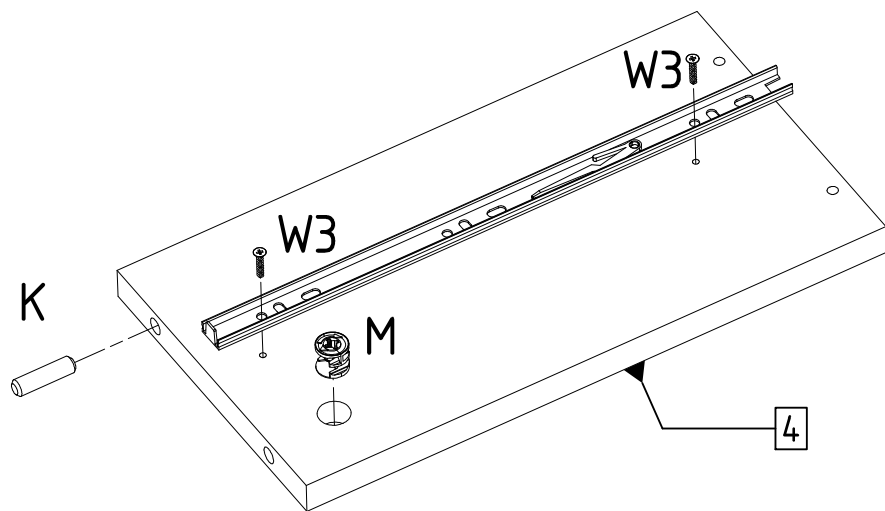
5.



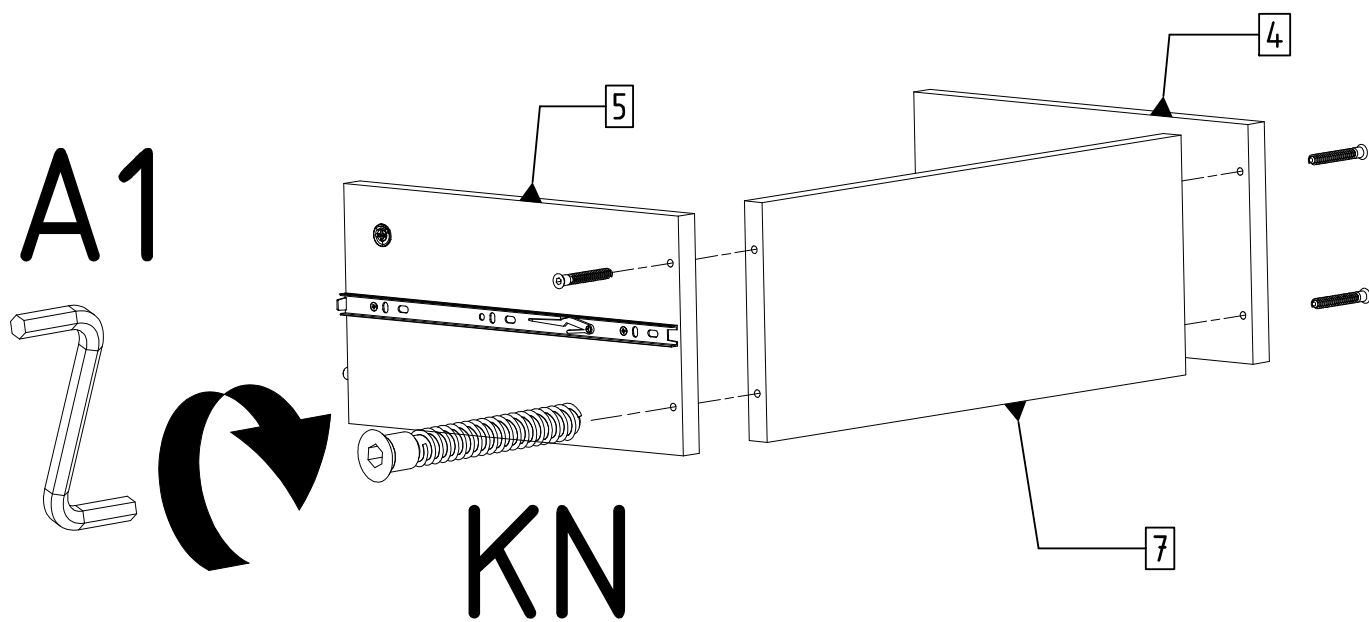
6.



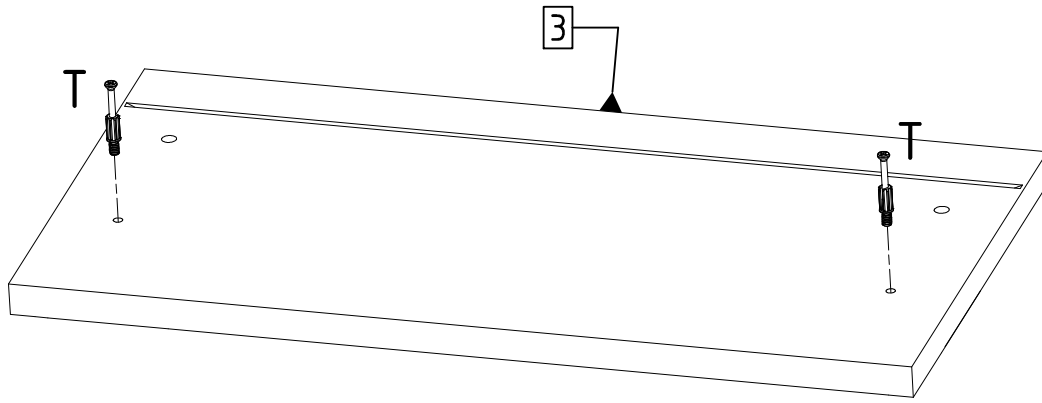
7.



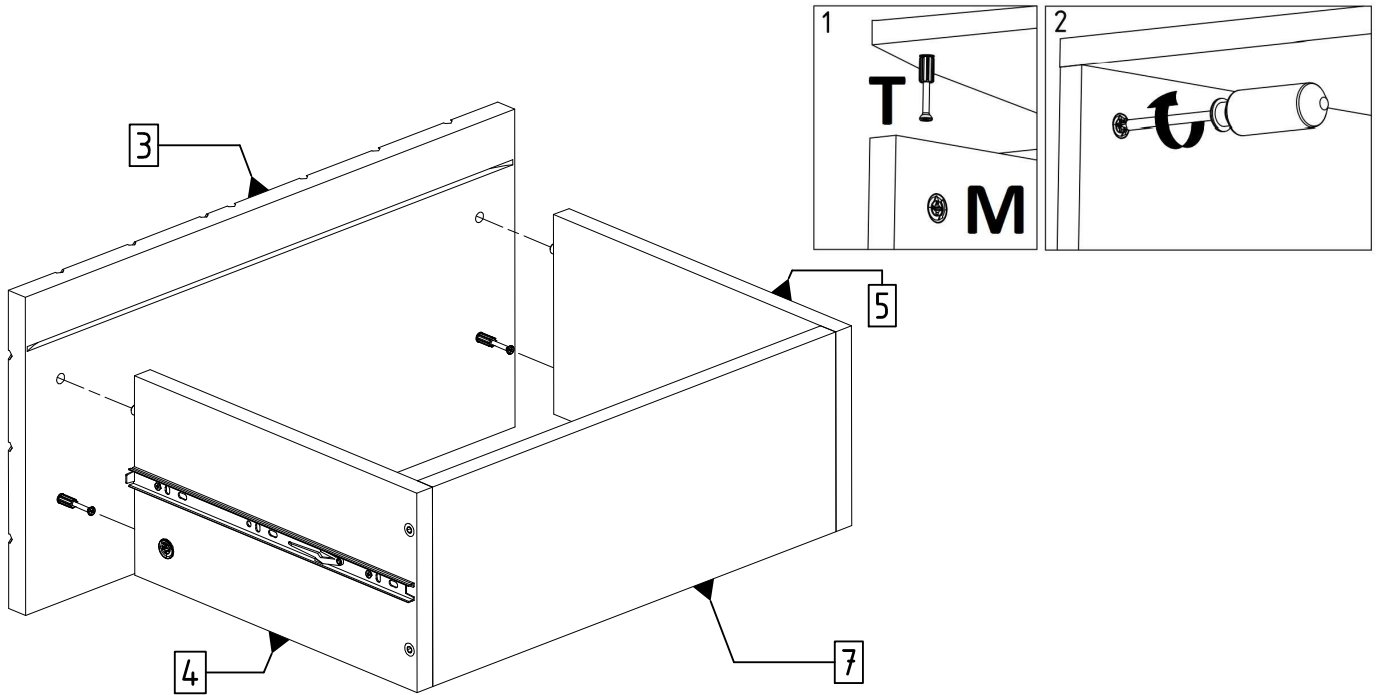
8.



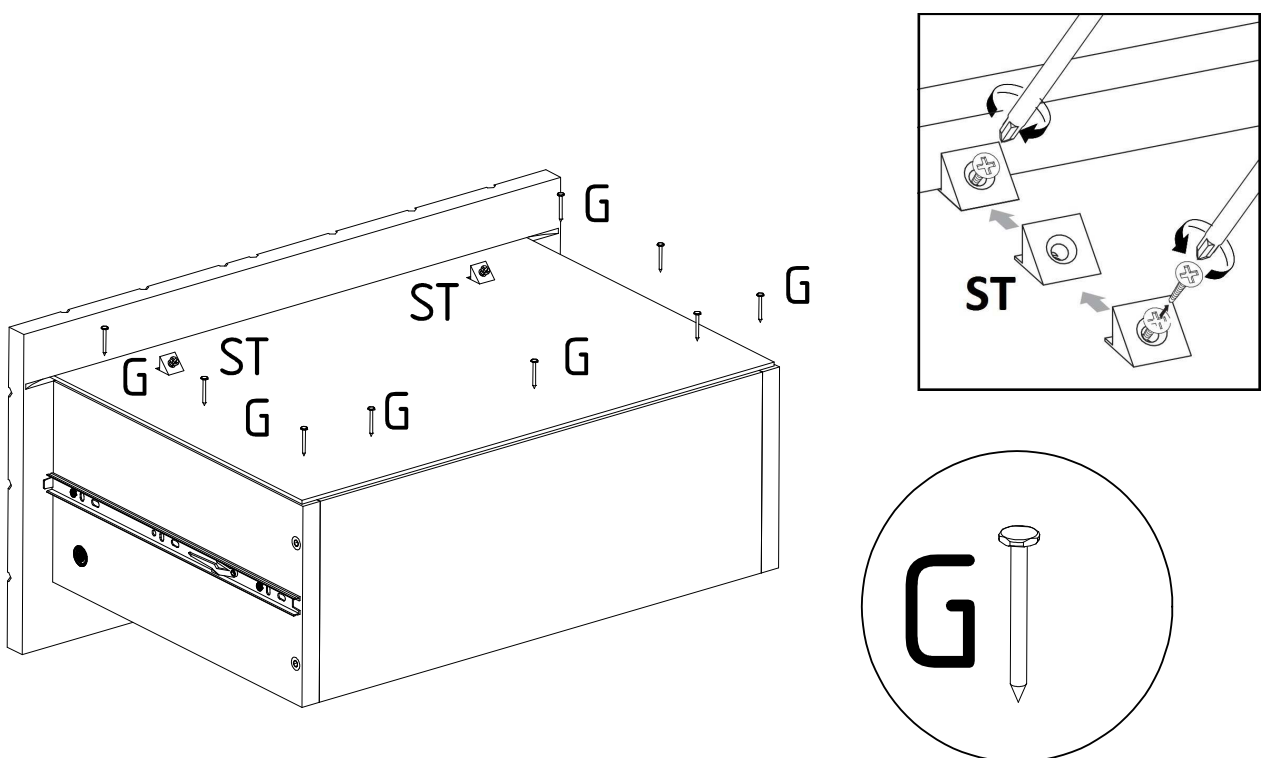
9.

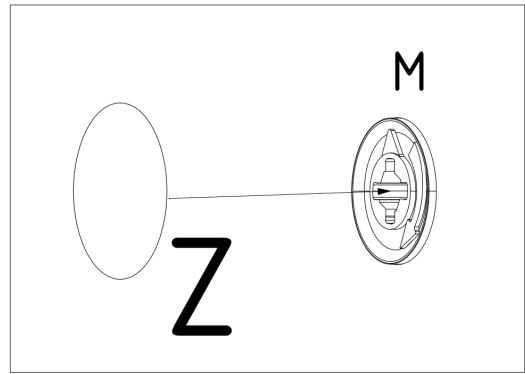


10.



11.





max.
5 kg

