

DUKE

DUKE01

OP-129

332mm/13,07in

1600mm/62,99in

476mm/18,74in

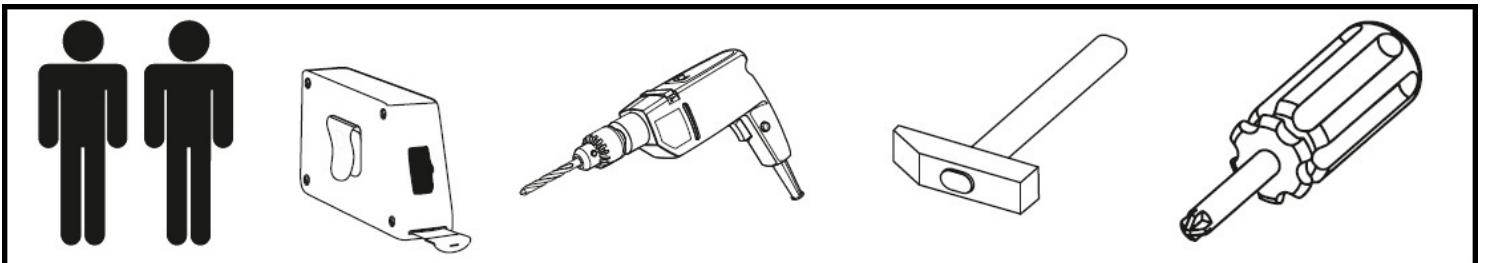
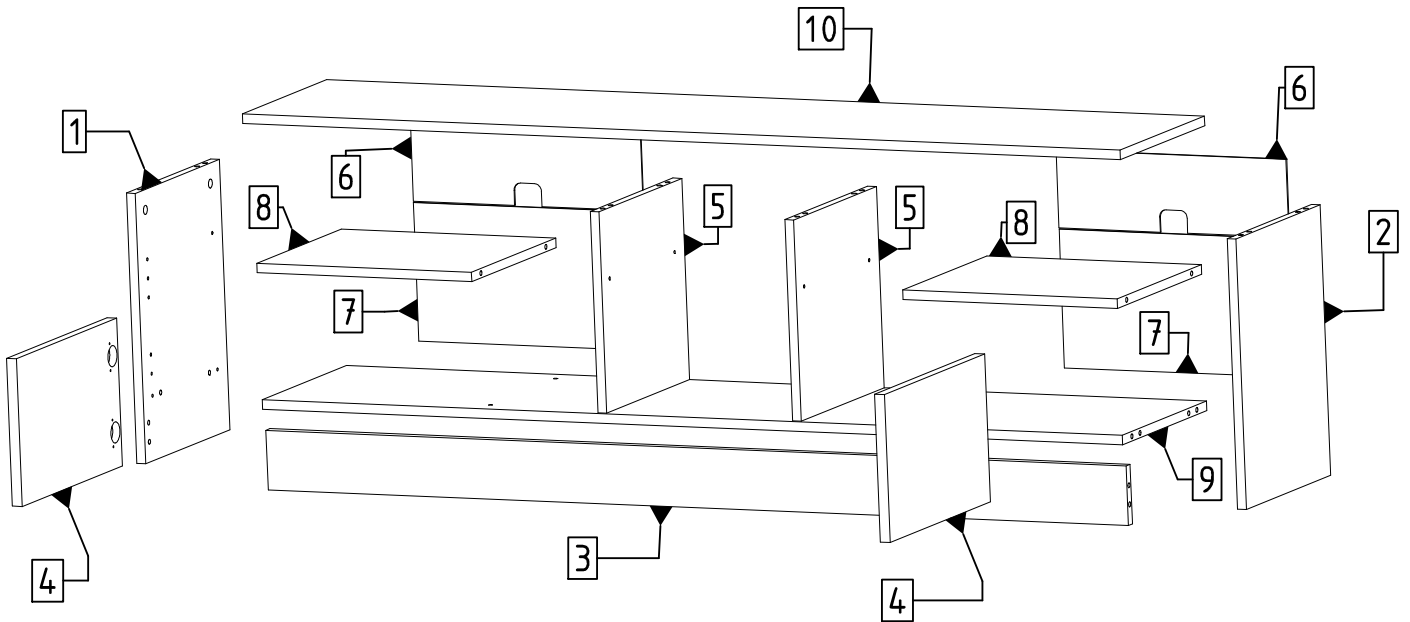
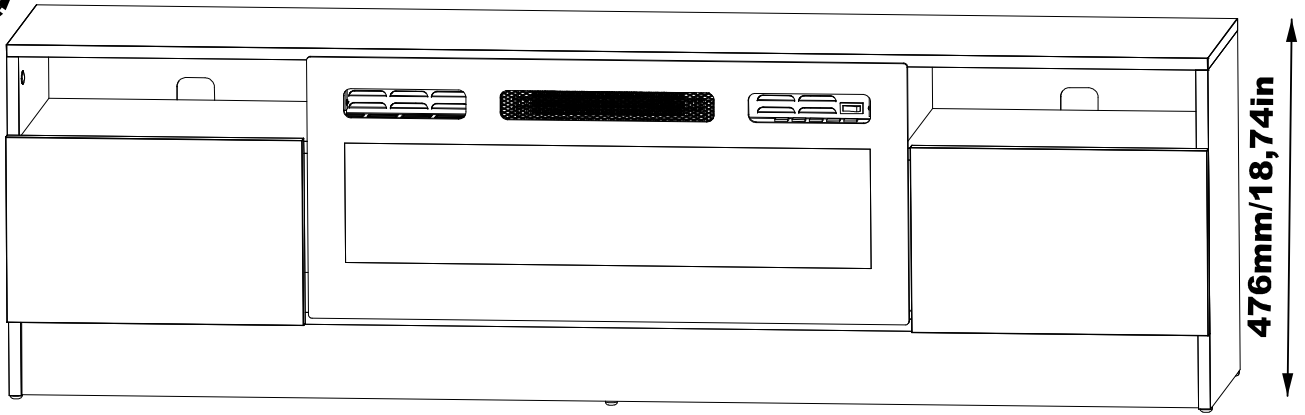
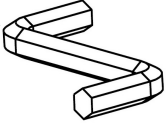
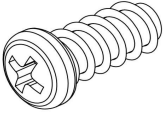

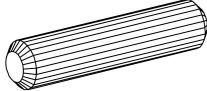
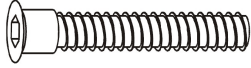
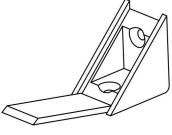



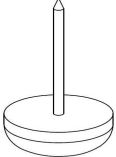
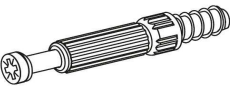
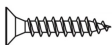
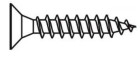
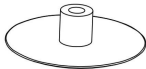
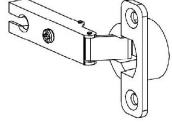
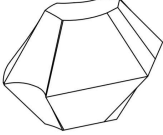
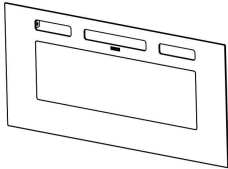
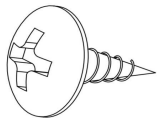
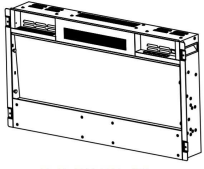
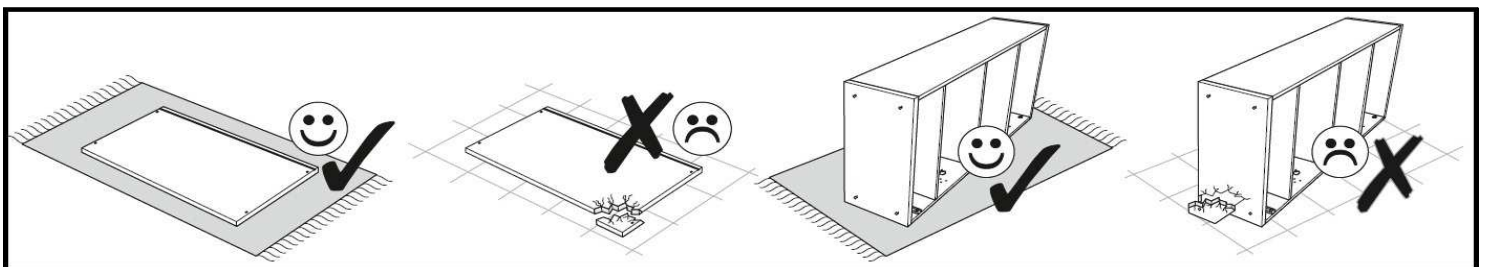


Table accessories

DUKE01

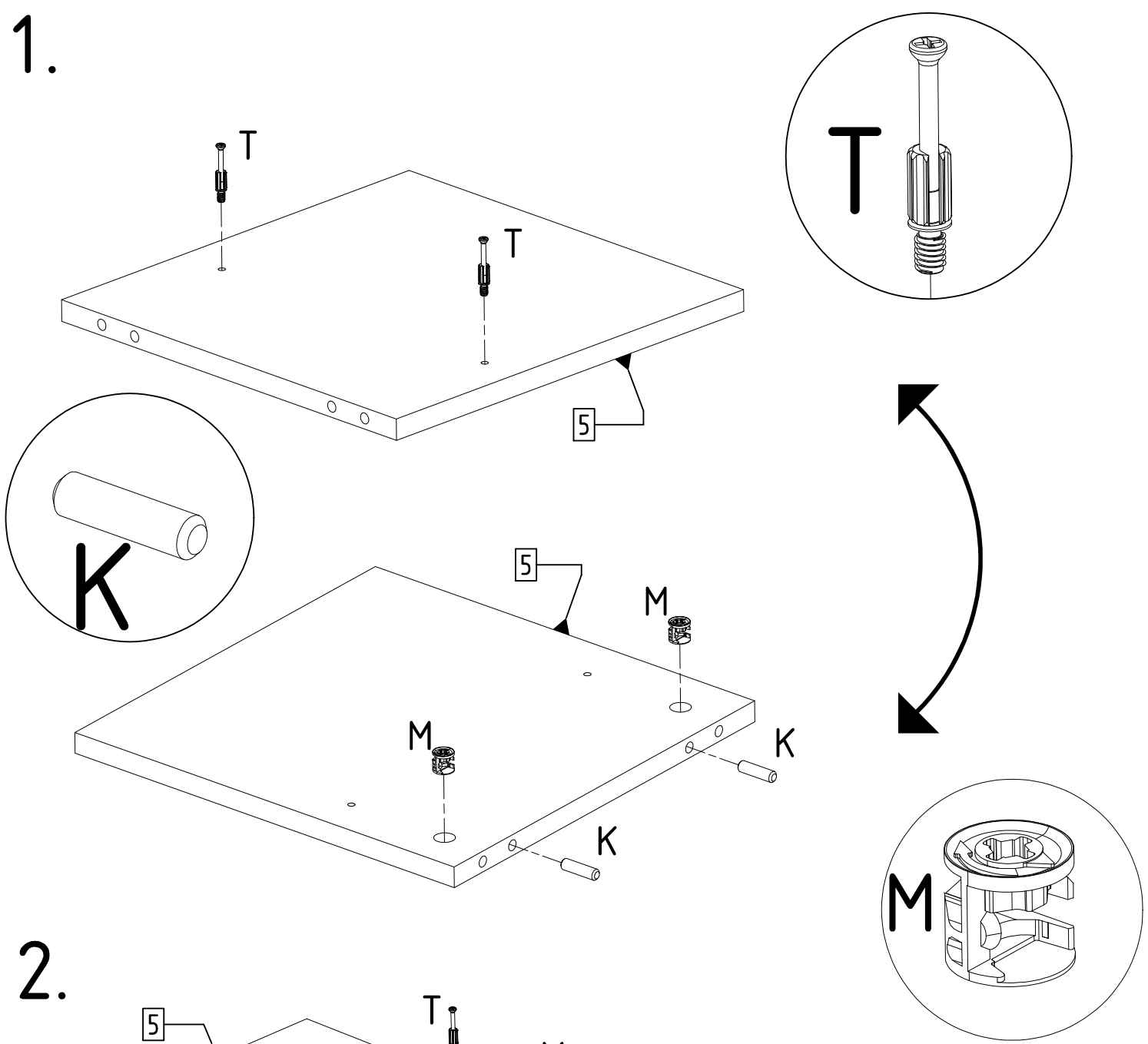
 <p><b>A1</b></p>	<p>6,3 X 13</p>  <p><b>E13</b></p>	 <p><b>G</b></p>	<p>8 x 30</p>  <p><b>K</b></p>	<p>6,3 X 50</p>  <p><b>KN</b></p>
 <p><b>KP</b></p>	<p>15 x 12</p>  <p><b>M</b></p>	<p>H:106mm</p>  <p><b>N106</b></p>	 <p><b>PRE</b></p>	 <p><b>SL</b></p>
<p>6 x 34 mm</p>  <p><b>T</b></p>	<p>4 x 16</p>  <p><b>W16</b></p>	<p>4 X 25mm</p>  <p><b>W4</b></p>	 <p><b>Z</b></p>	 <p><b>ZP</b></p>
 <p><b>KRD</b></p>	 <p><b>SK2</b></p>	 <p><b>WK</b></p>	 <p><b>WKL2</b></p>	



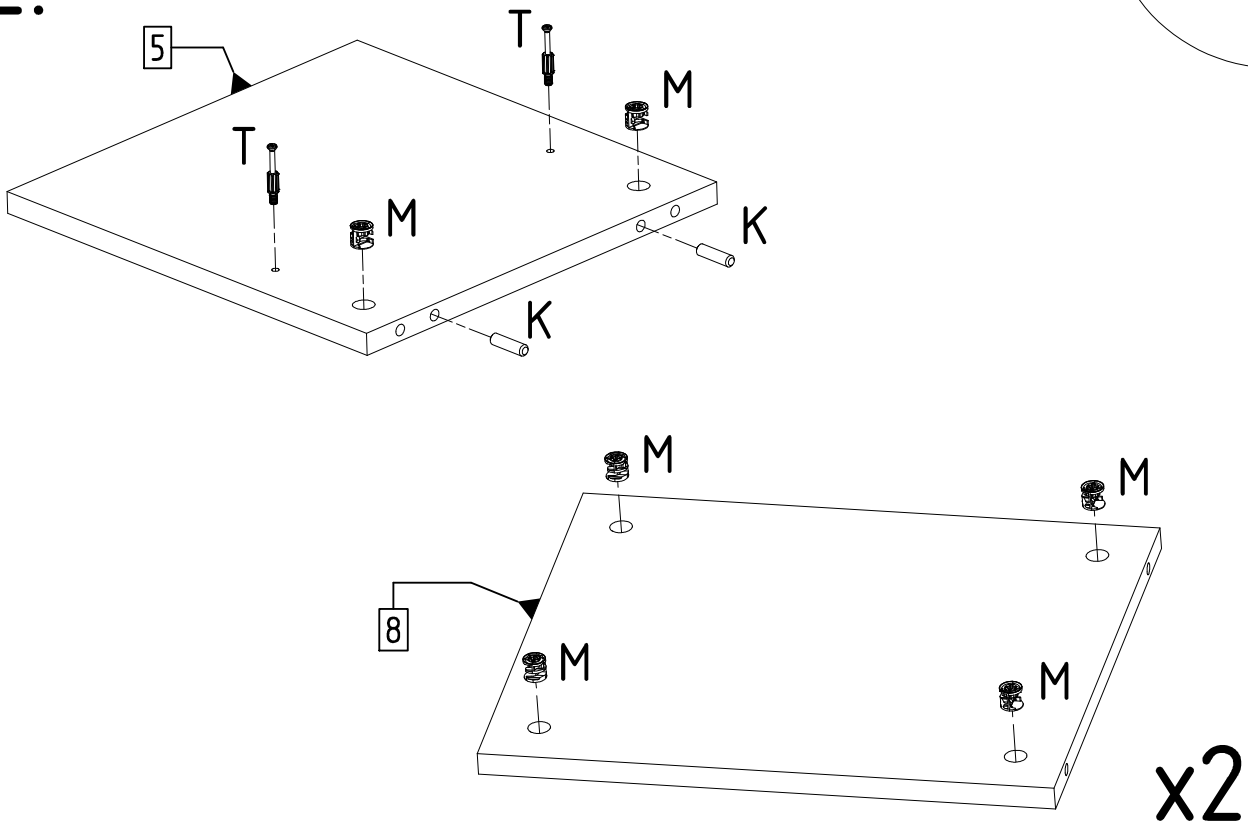
Elements				Accessories	
SYMBOL	LENGTH	WIDTH	QUANTITY	SYMBOL	QUANTITY
BL [1]	17.87	13.07	1	A1	1
BP [2]	17.87	13.07	1	E13	2
CD [3]	61.73	3.94	1	G	32
FT [4]	15.55	9.76	2	K	16
P1 [5]	13.31	12.83	2	KN	4
PC1 [6]	16.5	5.16	2	KP	2
PC2 [7]	16.5	9.17	2	KRD [attached to the electric fireplace]	62
PPO [8]	15.39	13.07	2	M	20
WD [9]	61.73	13.07	1	N106	1
WG [10]	62.99	13.07	1	PRE	4
				SK2 [attached to the electric fireplace]	1
				SL	5
				T	20
				W16	12
				W4	4
				WK [attached to the electric fireplace]	6
				WKL2 [attached to the electric fireplace]	2
				Z	20
				ZP	4



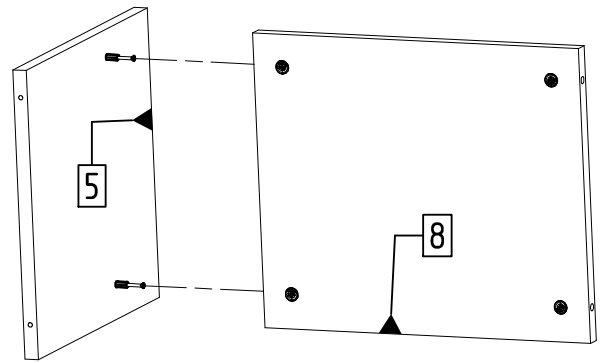
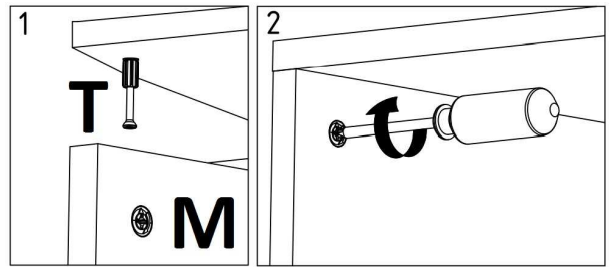
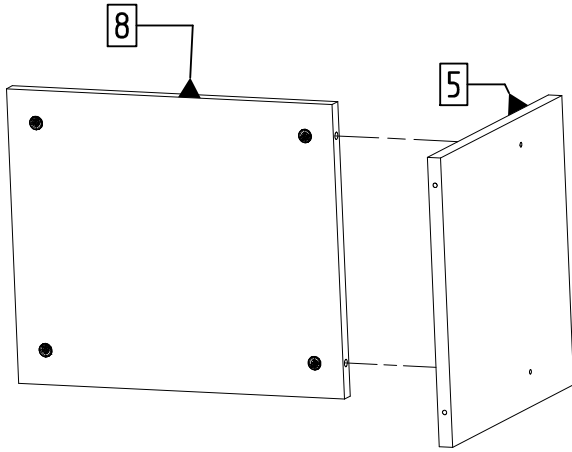
1.



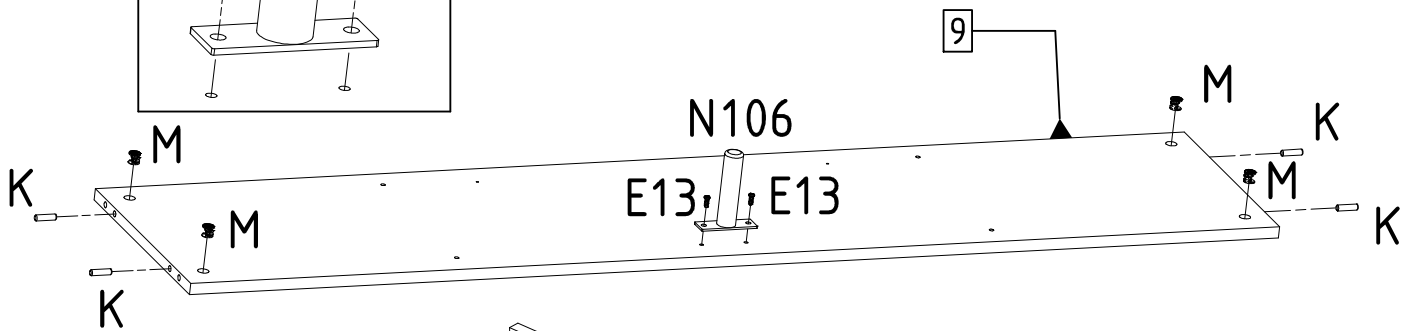
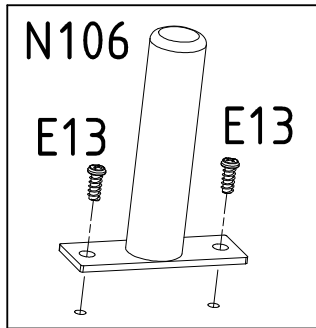
2.



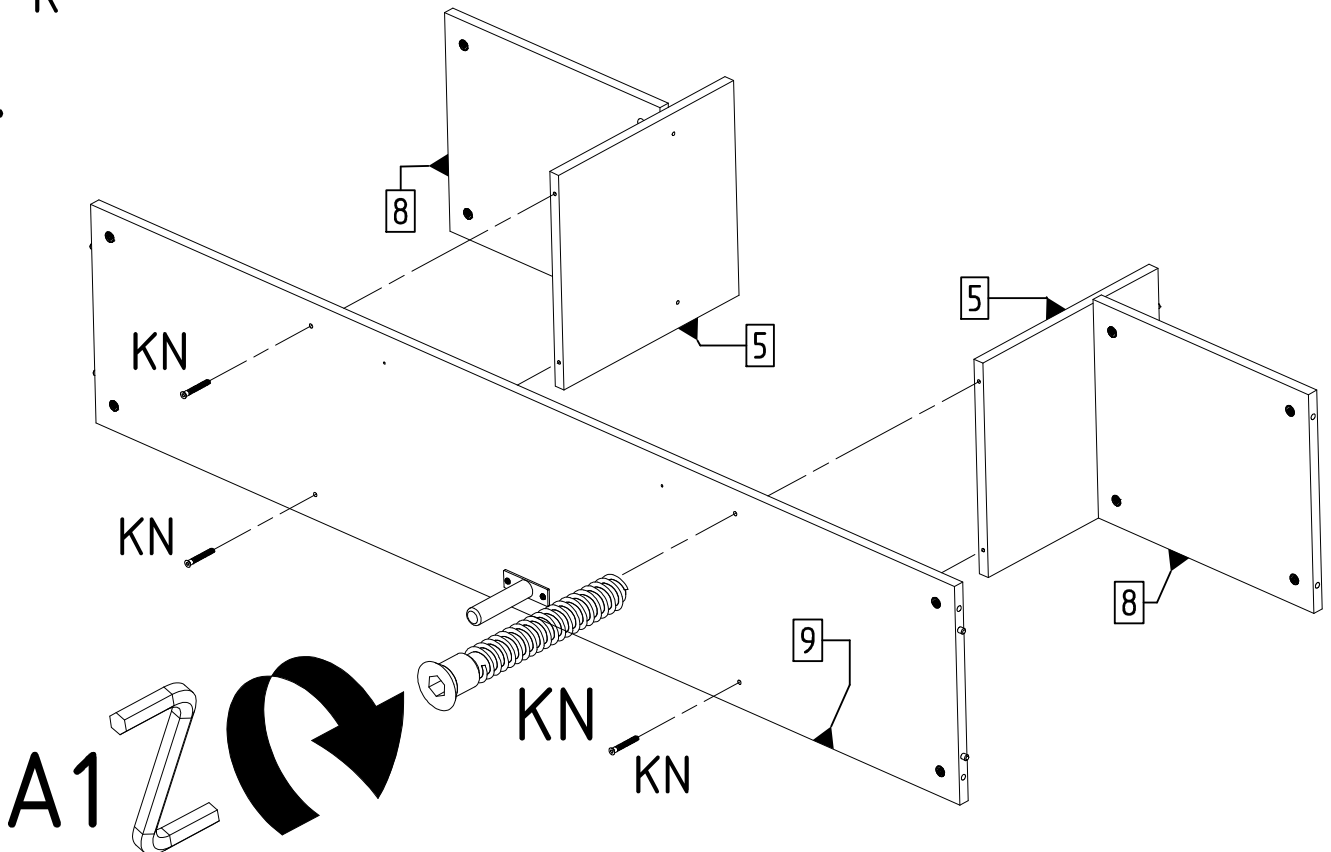
3.



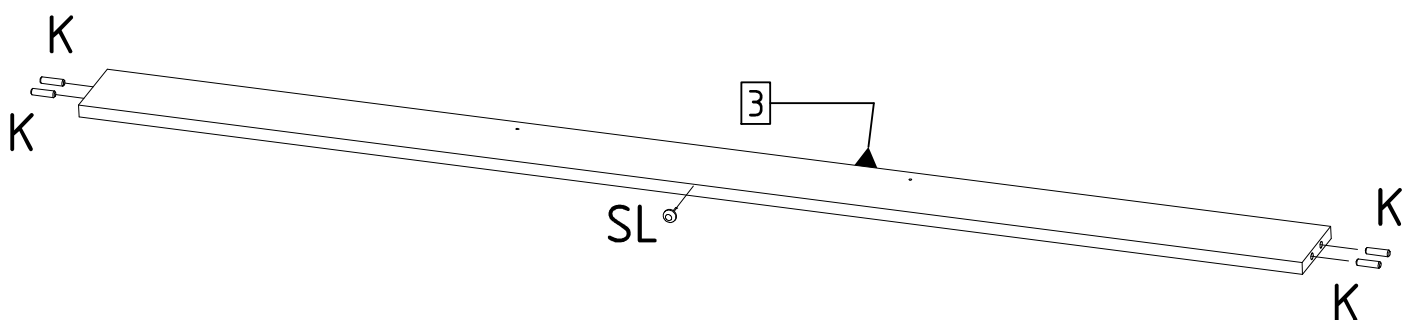
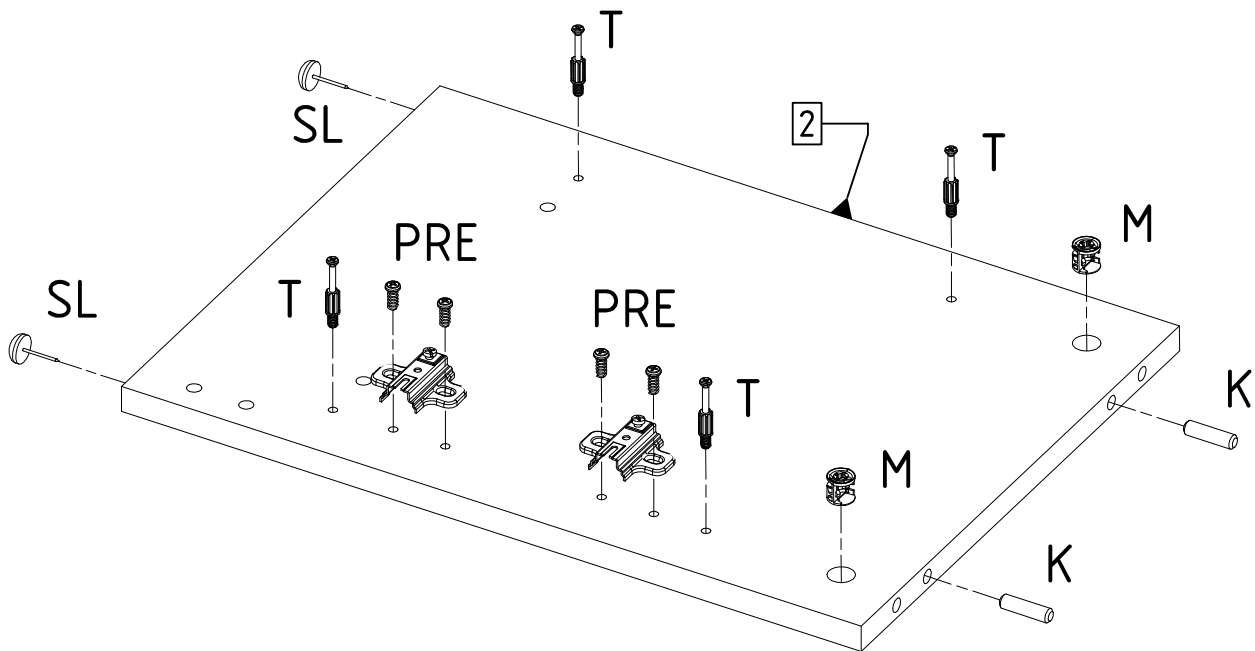
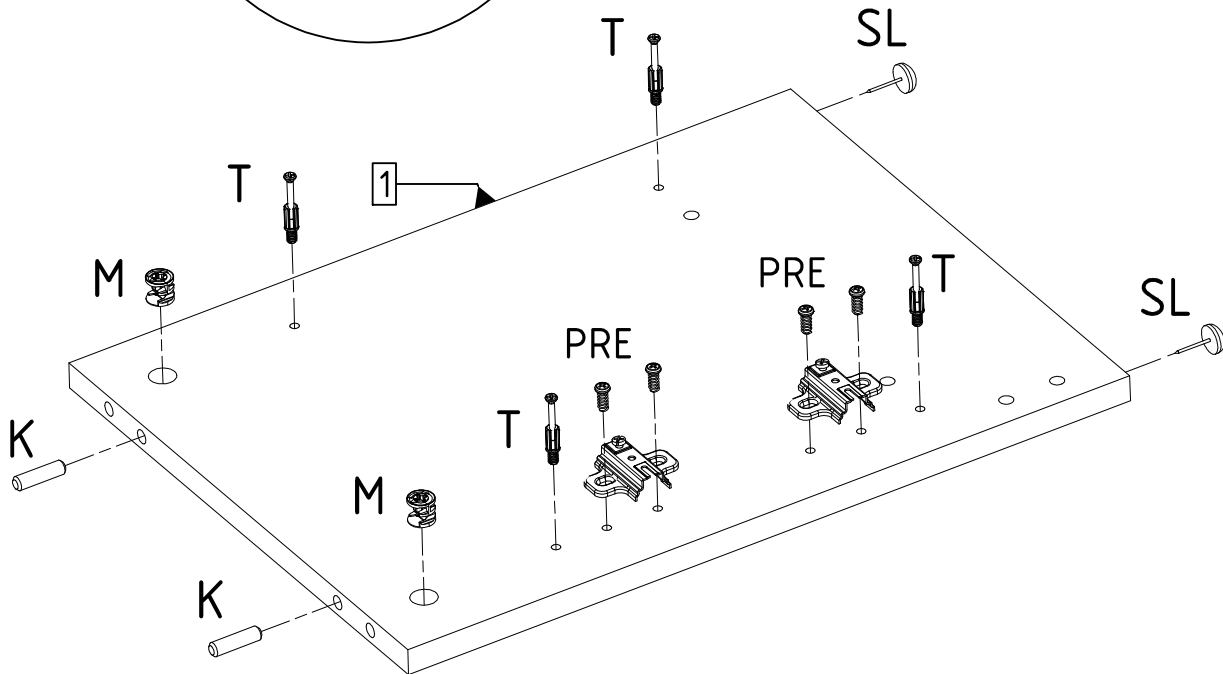
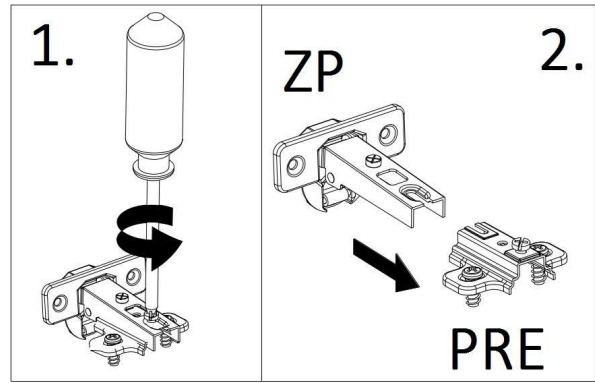
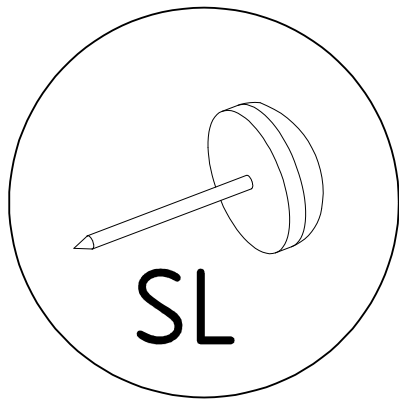
4.

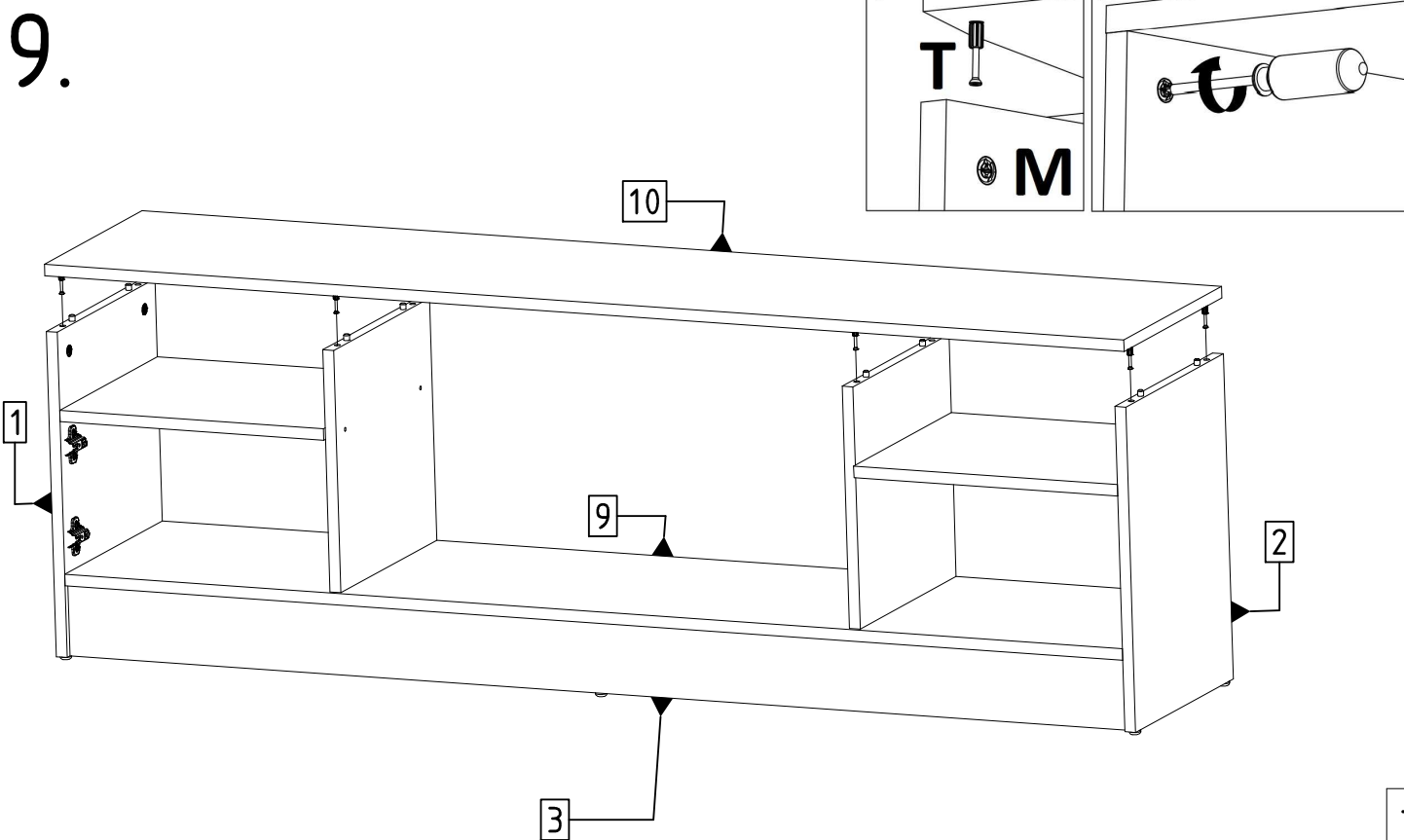
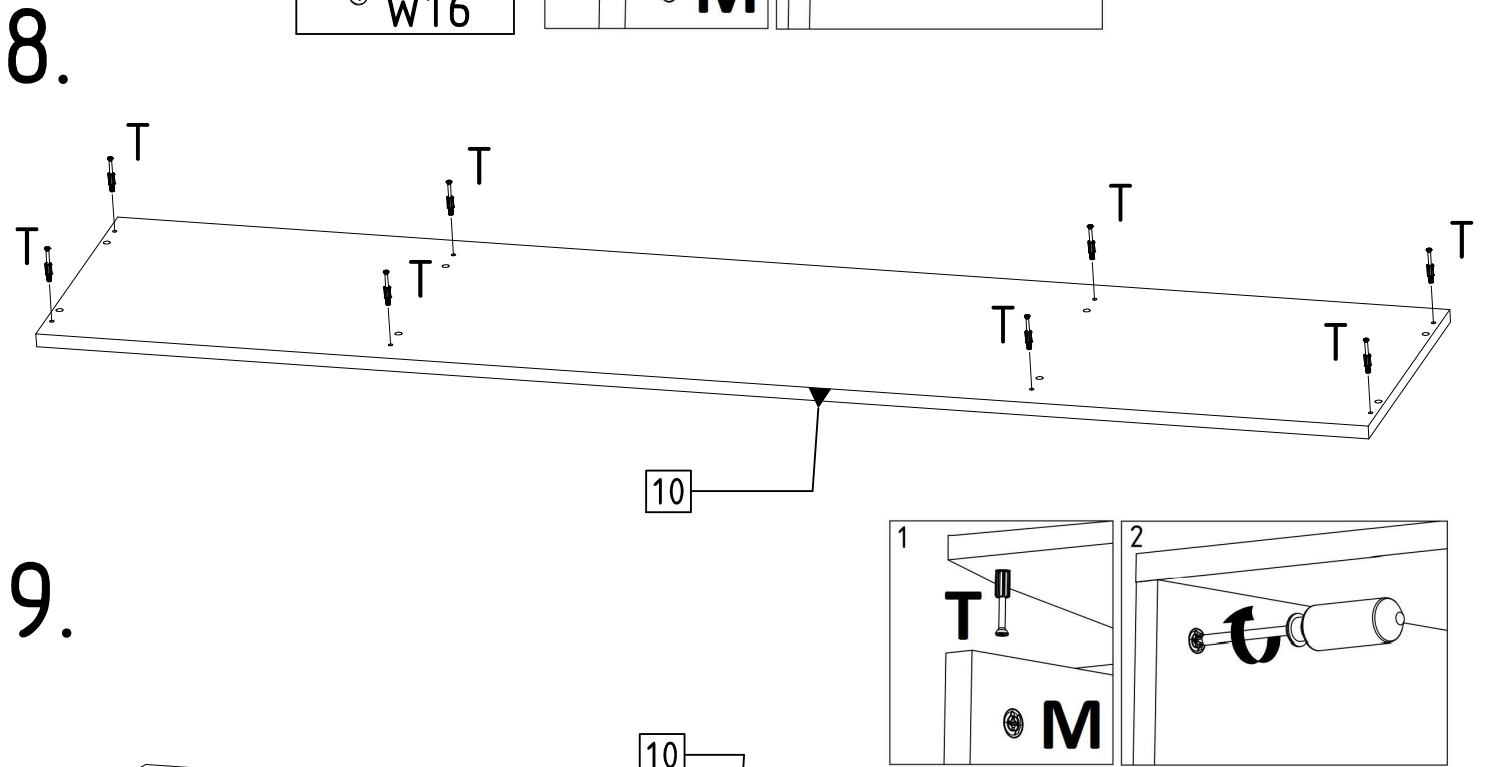
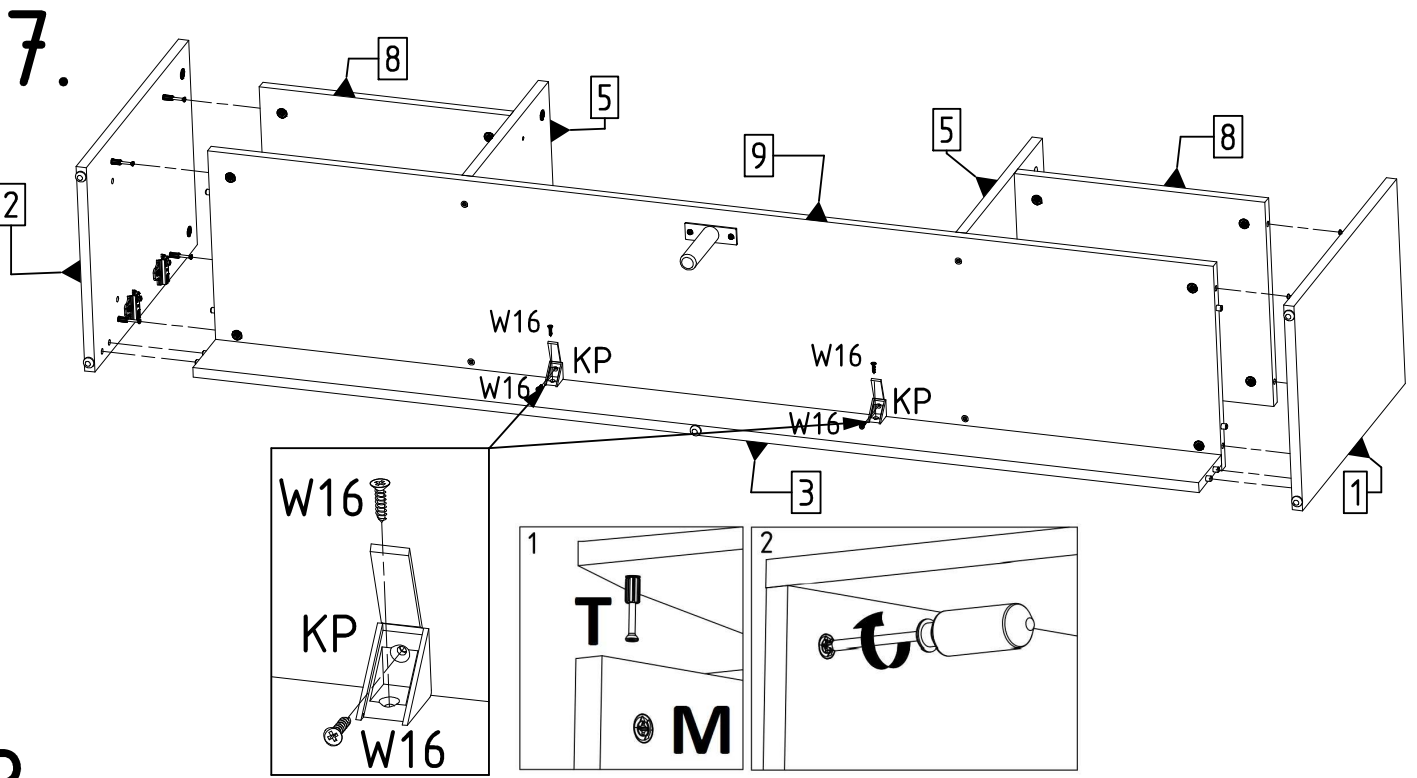


5.

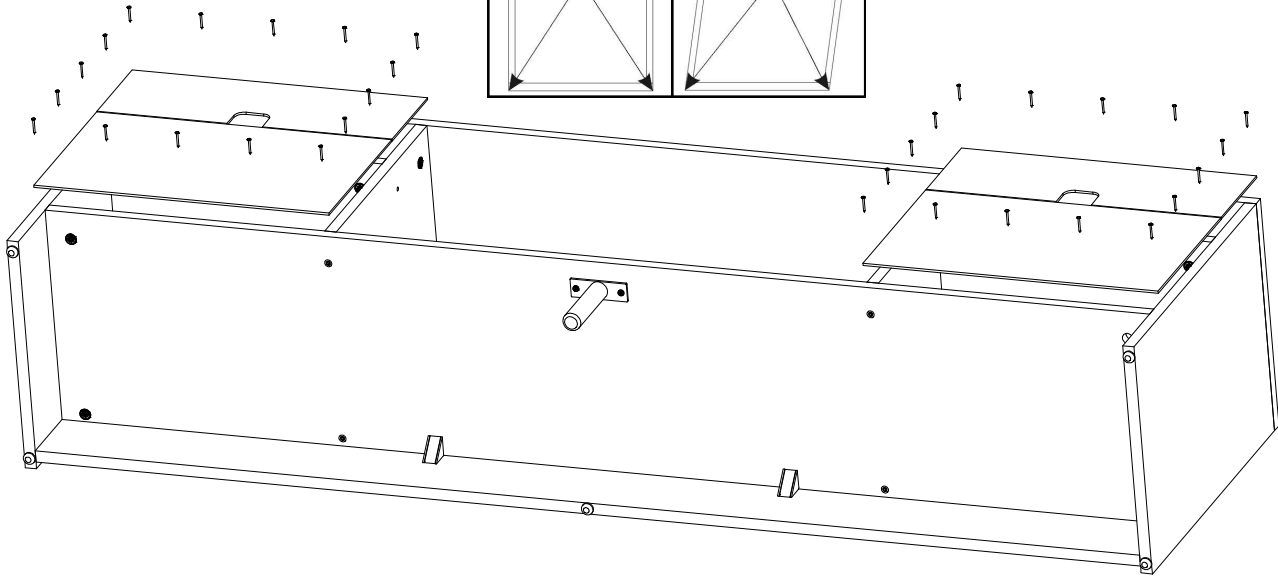
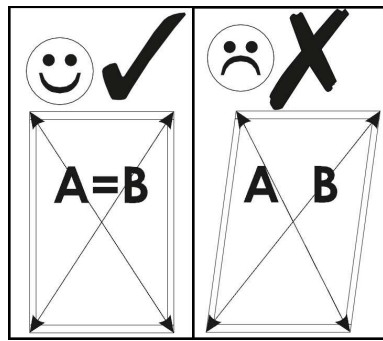


6.

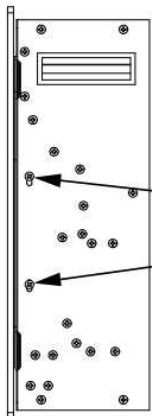
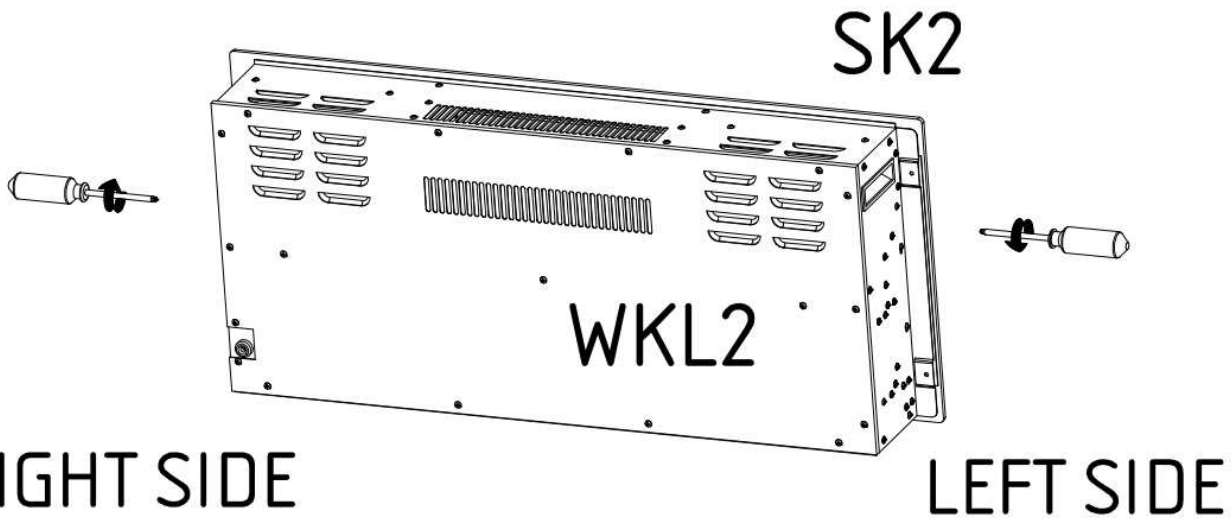




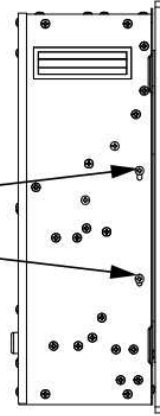
10.



11.

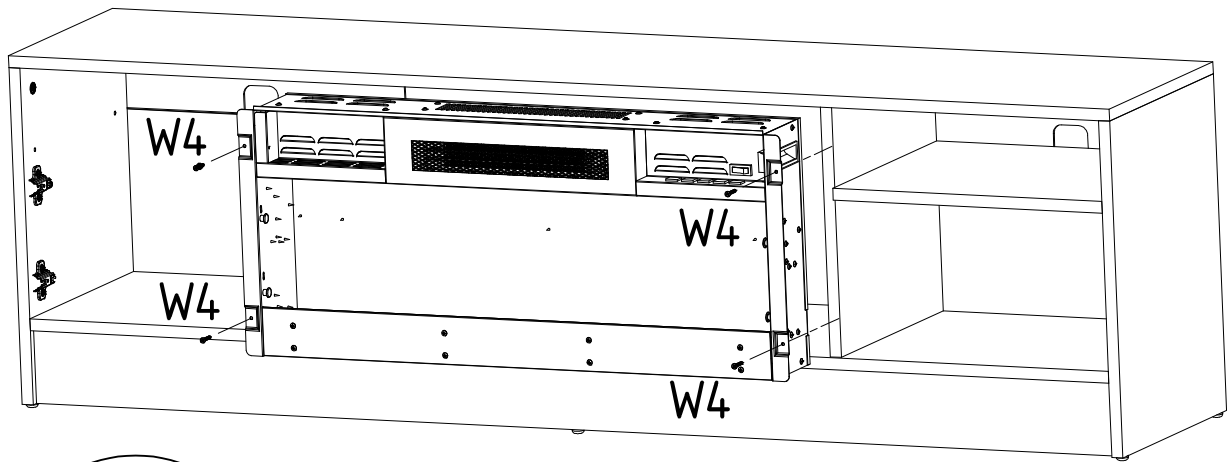
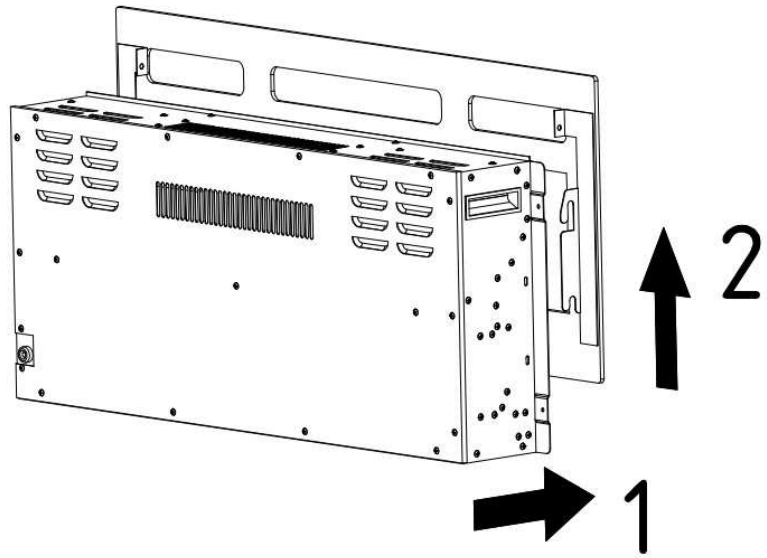


WK

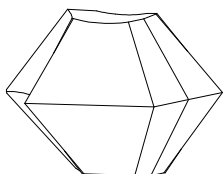
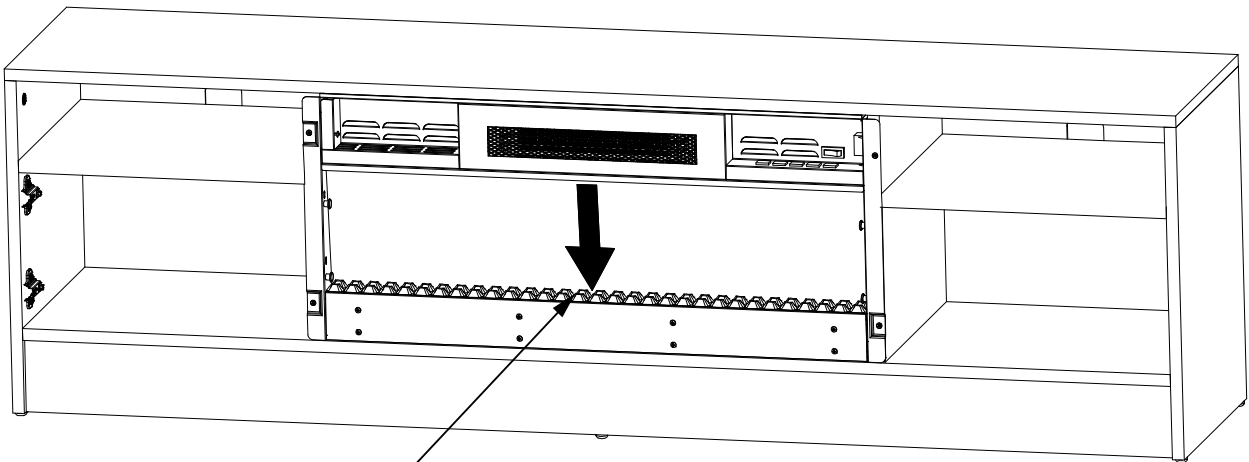
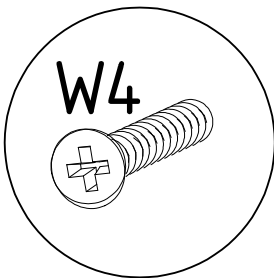




12.

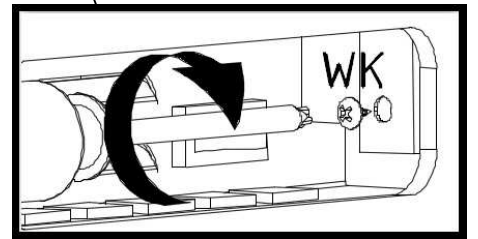
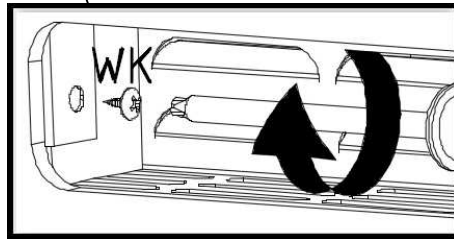
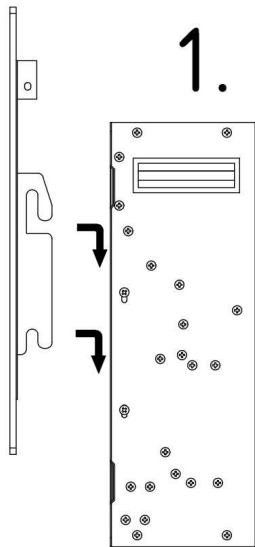
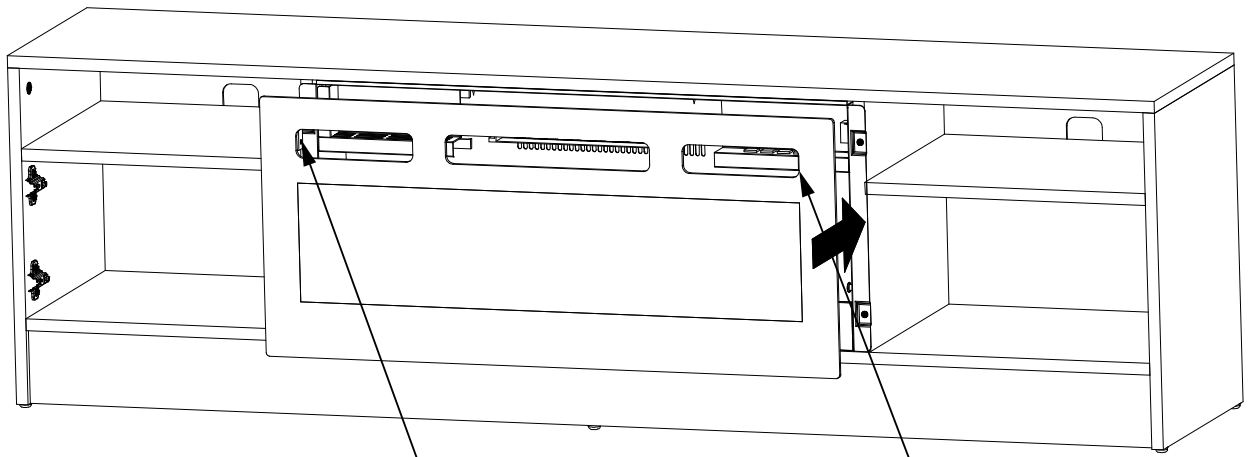


13.

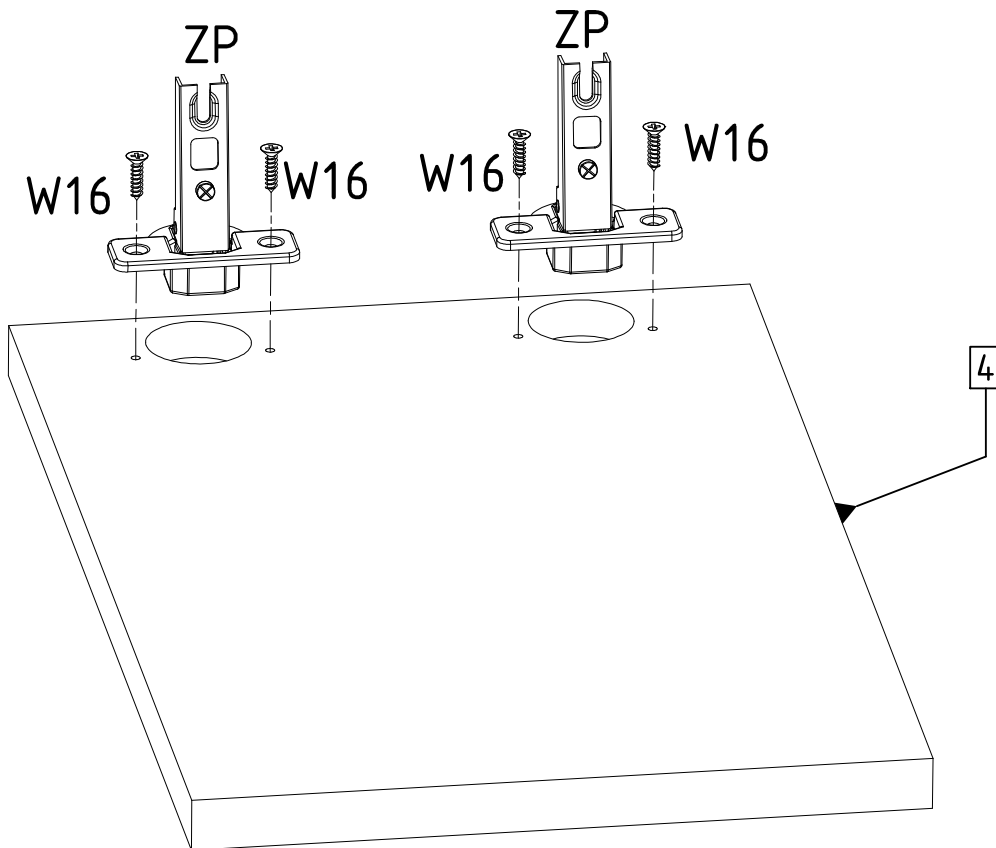


KRD

14.



15.



x2

16.

