

DISPARO

DISPAR006

OP-86, 87

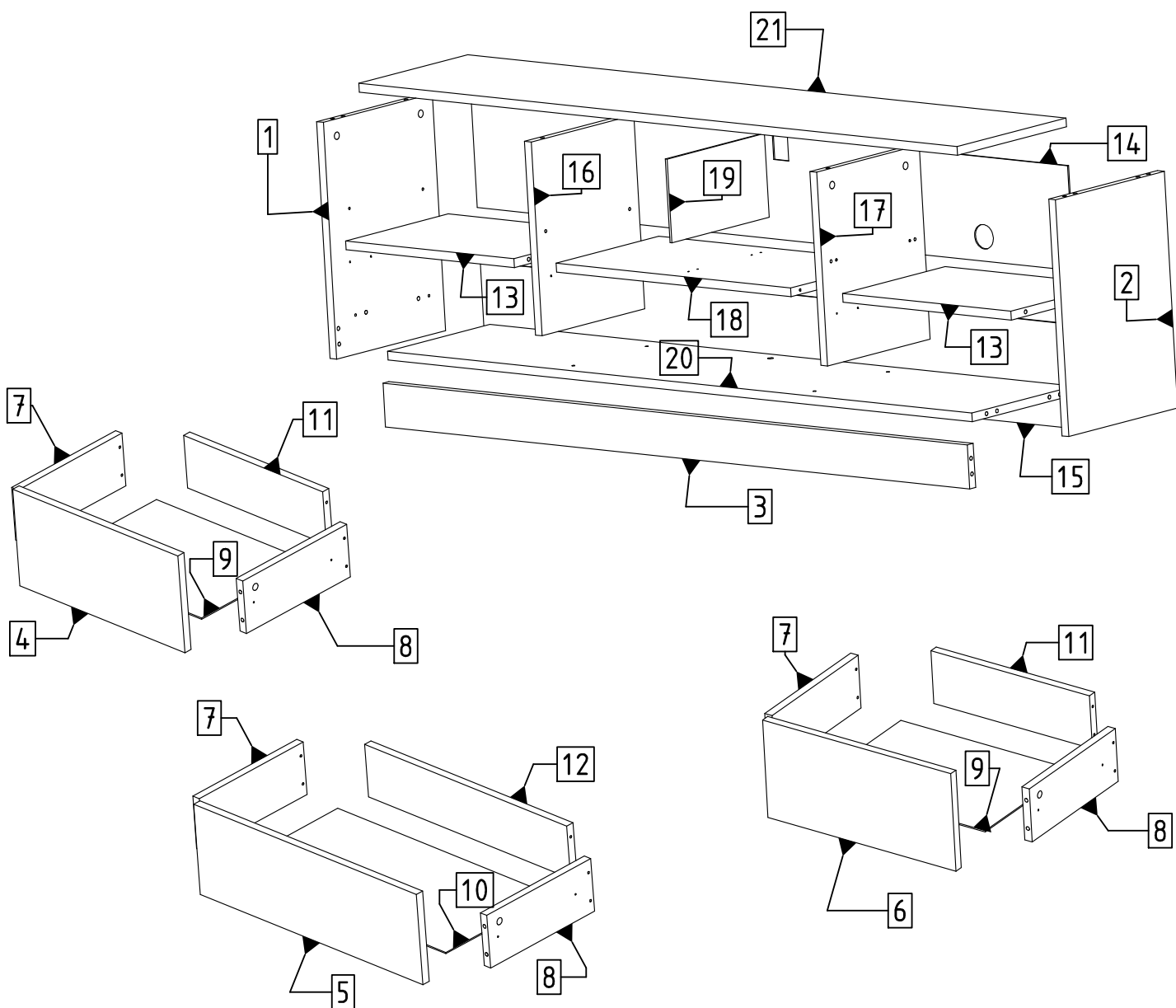
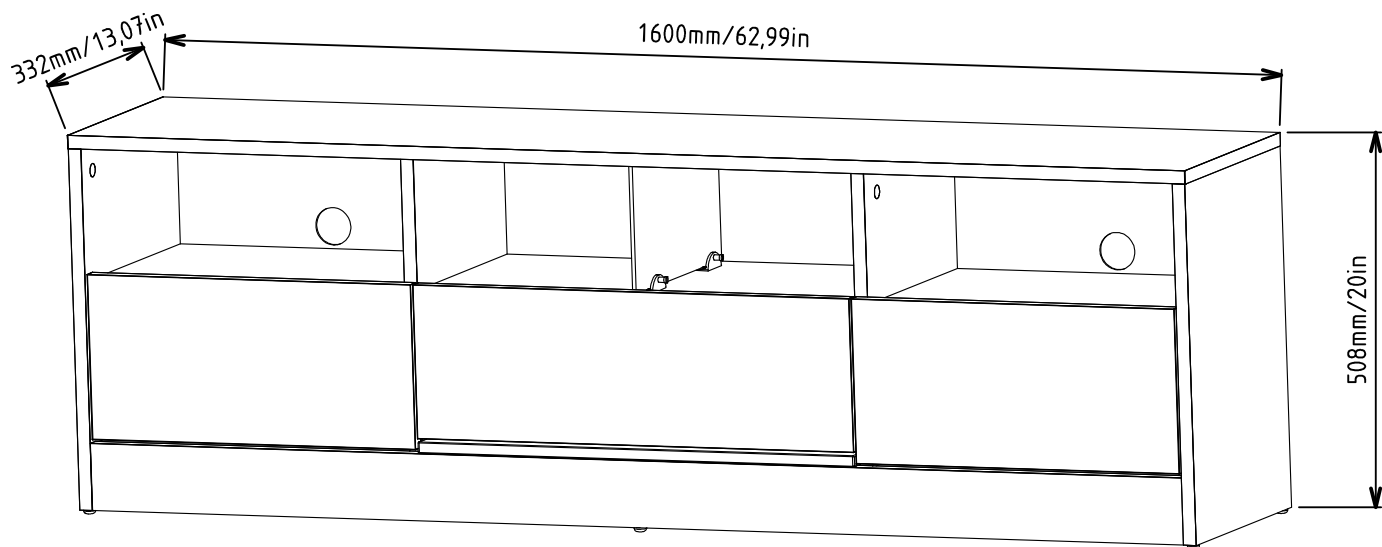
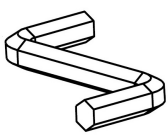
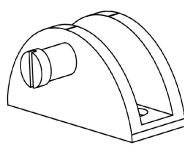
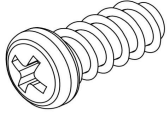
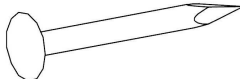
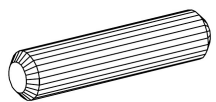
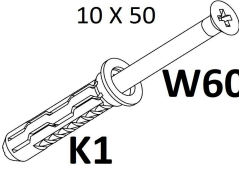
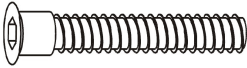

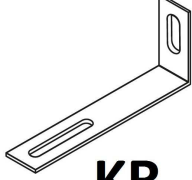


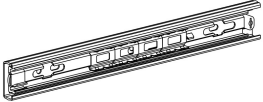
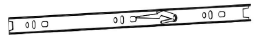
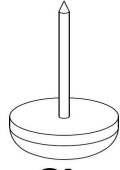
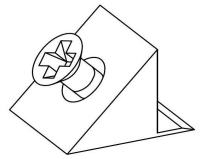
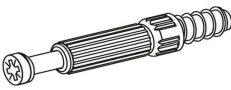
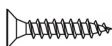
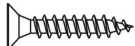
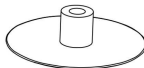
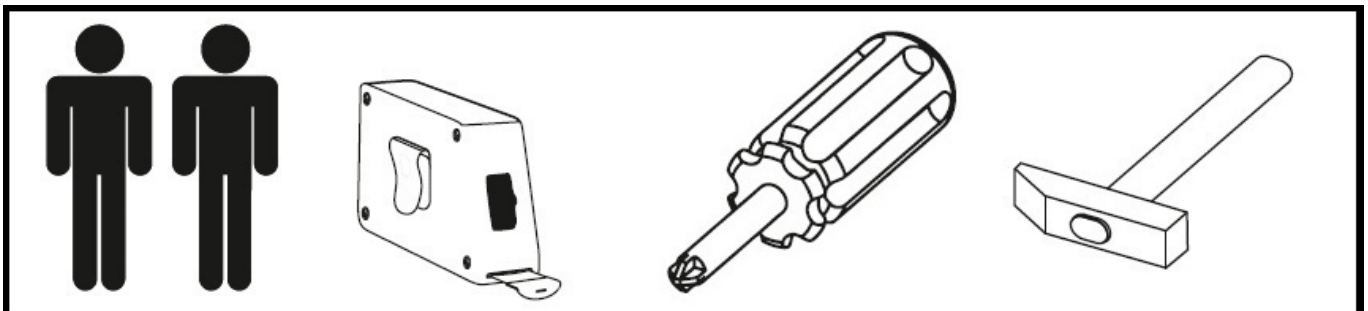


Table accessories

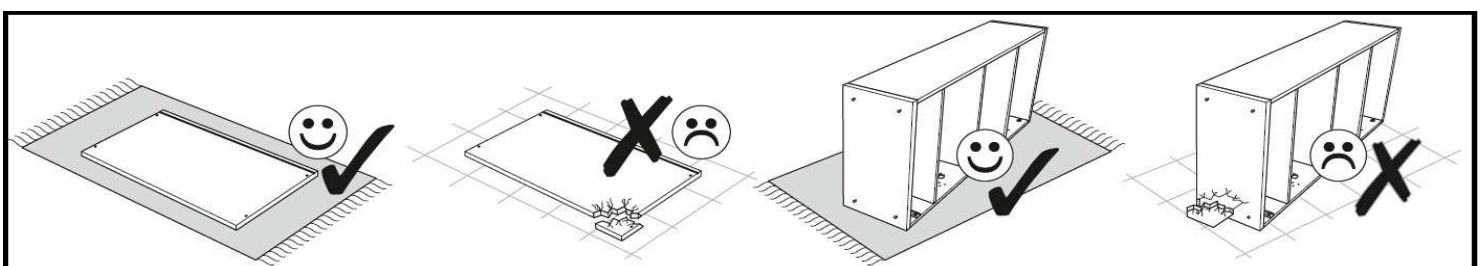
DISPAR006

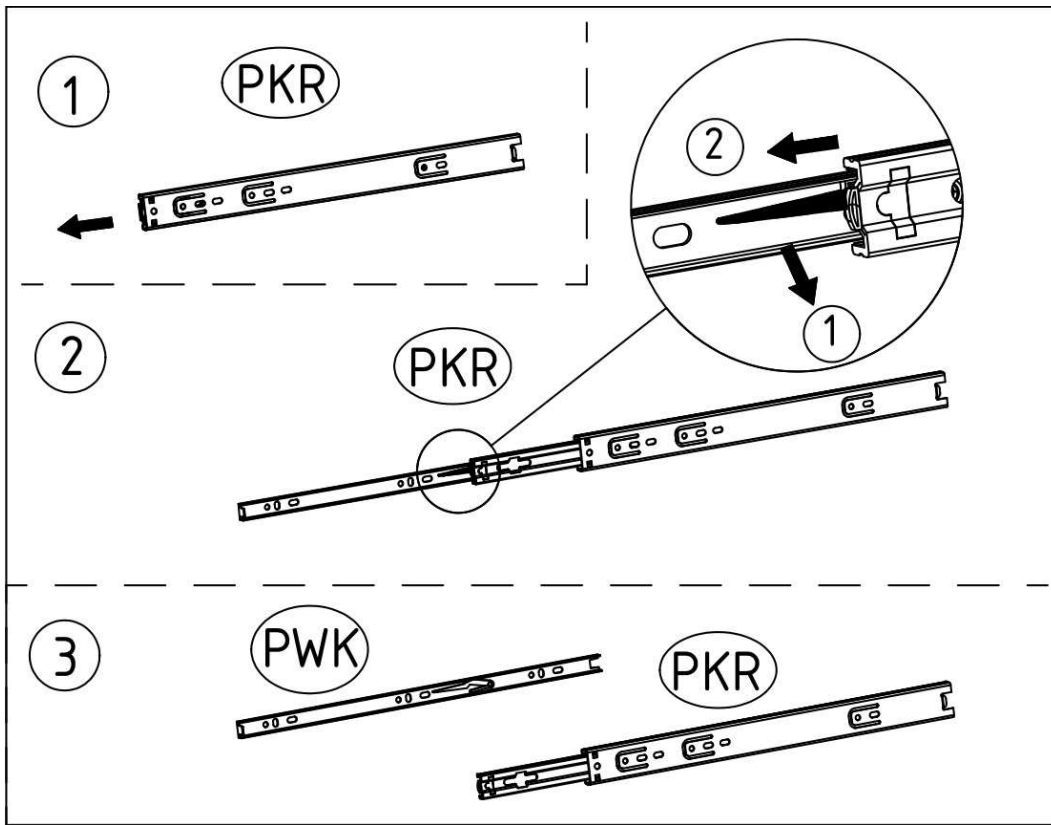
 <b>A1</b>	 <b>BS</b>	<p>6,3 X 13</p>  <b>E13</b>	 <b>G</b>	<p>8 x 30</p>  <b>K</b>
<p>10 X 50</p>  <b>K1</b>	<p>6,3 X 50</p>  <b>KN</b>	 <b>KP</b>	 <b>KR</b>	<p>15 x 12</p>  <b>M</b>
<p>H:76mm</p>  <b>N8</b>	<p>L300</p>  <b>PKR</b>	<p>L300</p>  <b>PWK</b>	 <b>SL</b>	 <b>ST</b>
<p>6 x 34 mm</p>  <b>T</b>	<p>4 x 16</p>  <b>W16</b>	<p>3 x 16mm</p>  <b>W3</b>	 <b>Z</b>	



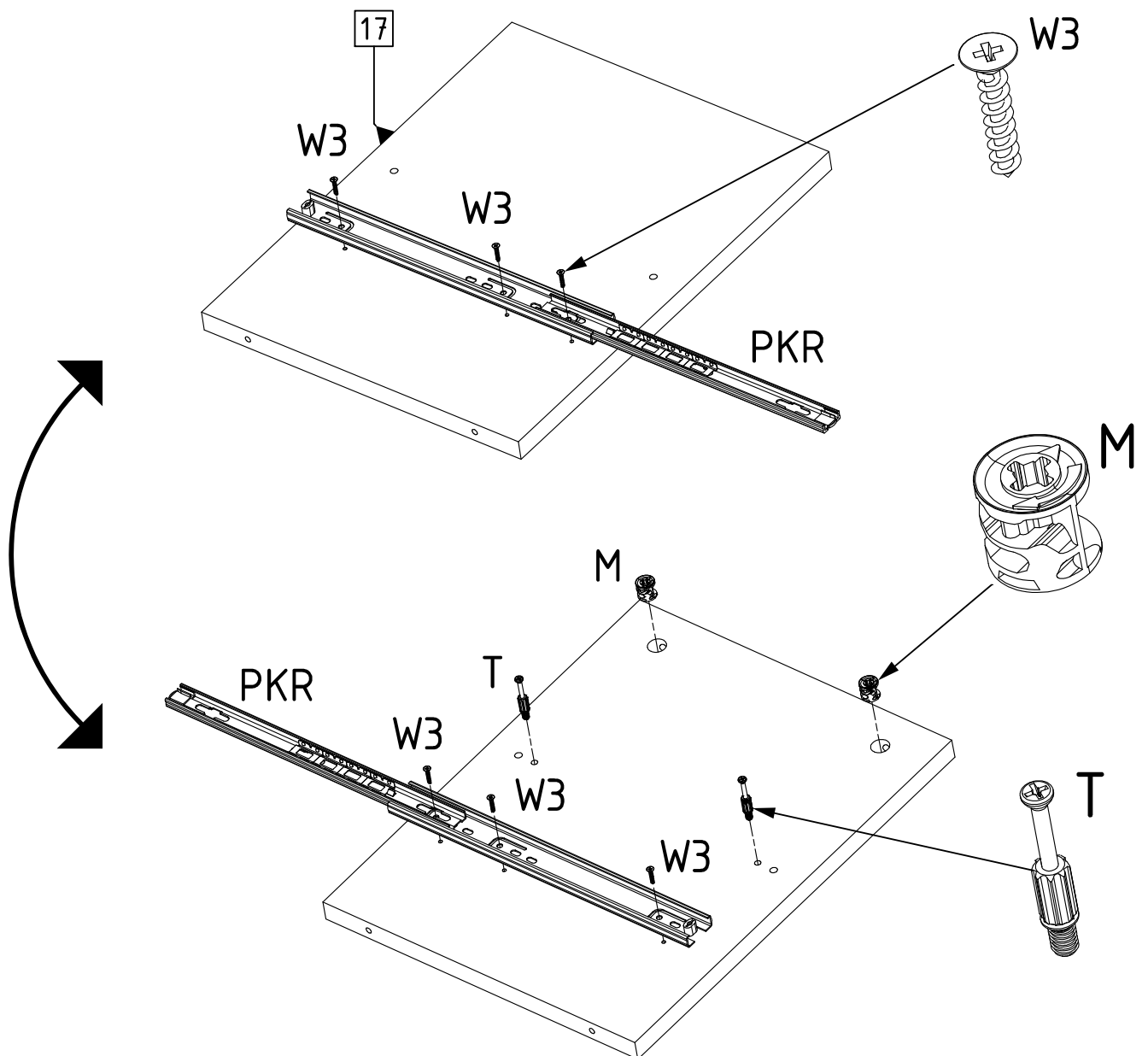
# DISPAR006

Elements				Accessories	
SYMBOL	LENGTH	WIDTH	QUANTITY	SYMBOL	QUANTITY
BL [1]	19.06	13.07	1	A1	1
BP [2]	19.06	13.07	1	BS	2
CD [3]	61.54	3.54	1	E13	2
FTS1 [4]	18.23	8.7	1	G	66
FTS2 [5]	24.61	8.11	1	K	18
FTS3 [6]	18.23	8.7	1	K1	1
KBL [7]	11.81	4.72	3	KN	20
KBP [8]	11.81	4.72	3	KP	2
KD1 [9]	16.61	11.97	2	KR	1
KD2 [10]	23.58	11.97	1	M	26
KT1 [11]	15.35	4.72	2	N8 [H=76mm]	1
KT2 [12]	22.32	4.72	1	PKR [L=300]	6
P1 [13]	17.72	12.32	2	PWK [L=300]	6
PC1 [14]	62.8	8.43	1	SL	5
PC2 [15]	62.8	8.43	1	ST	7
PPI01 [16]	15.59	12.32	1	T	26
PPI02 [17]	15.59	12.32	1	W16	10
PP0 [18]	24.69	12.32	1	W3	30
PS [19]	11.69	6.73	1	W60	1
WD [20]	61.54	12.28	1	Z	26
WG [21]	62.99	13.07	1		

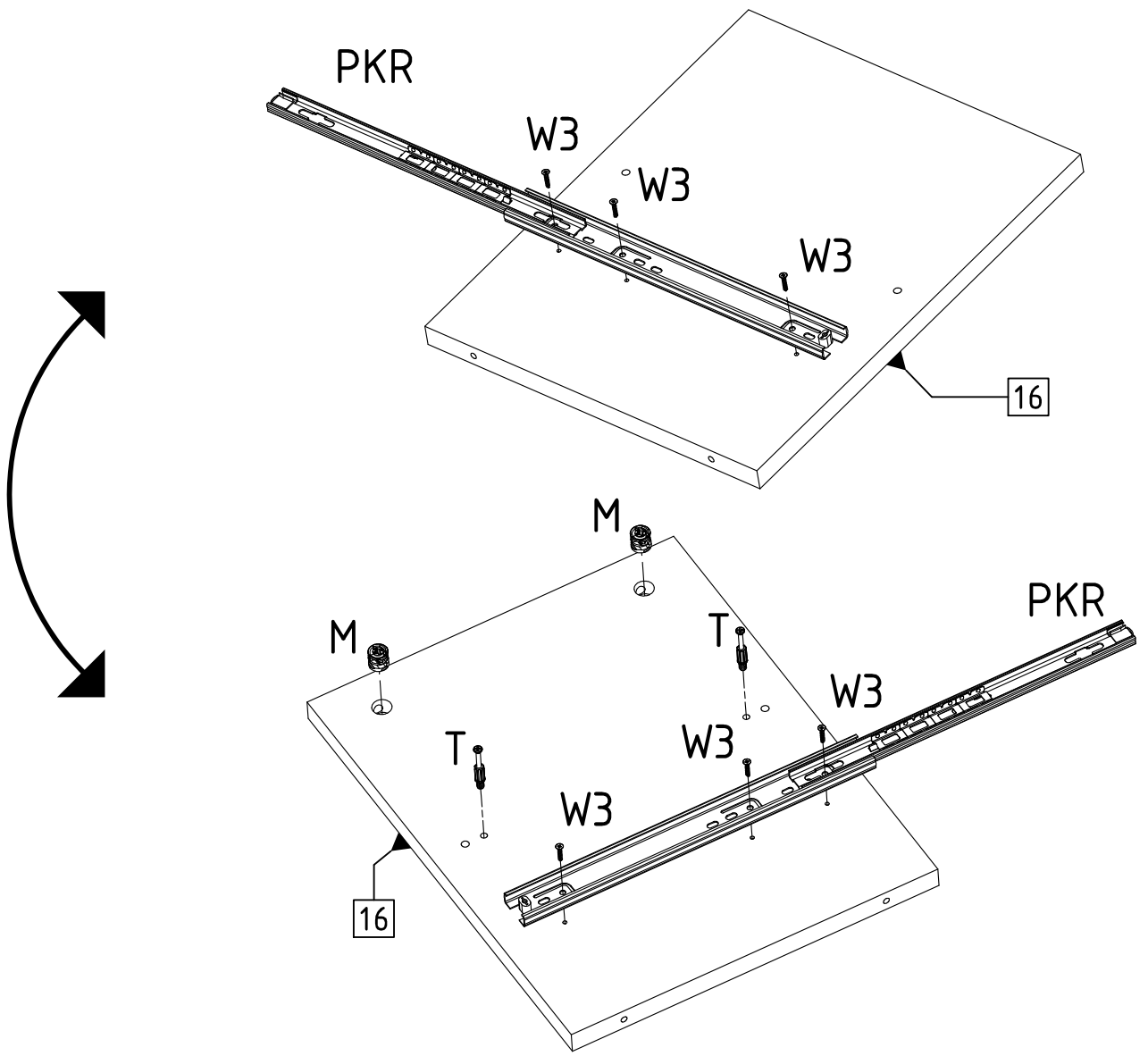




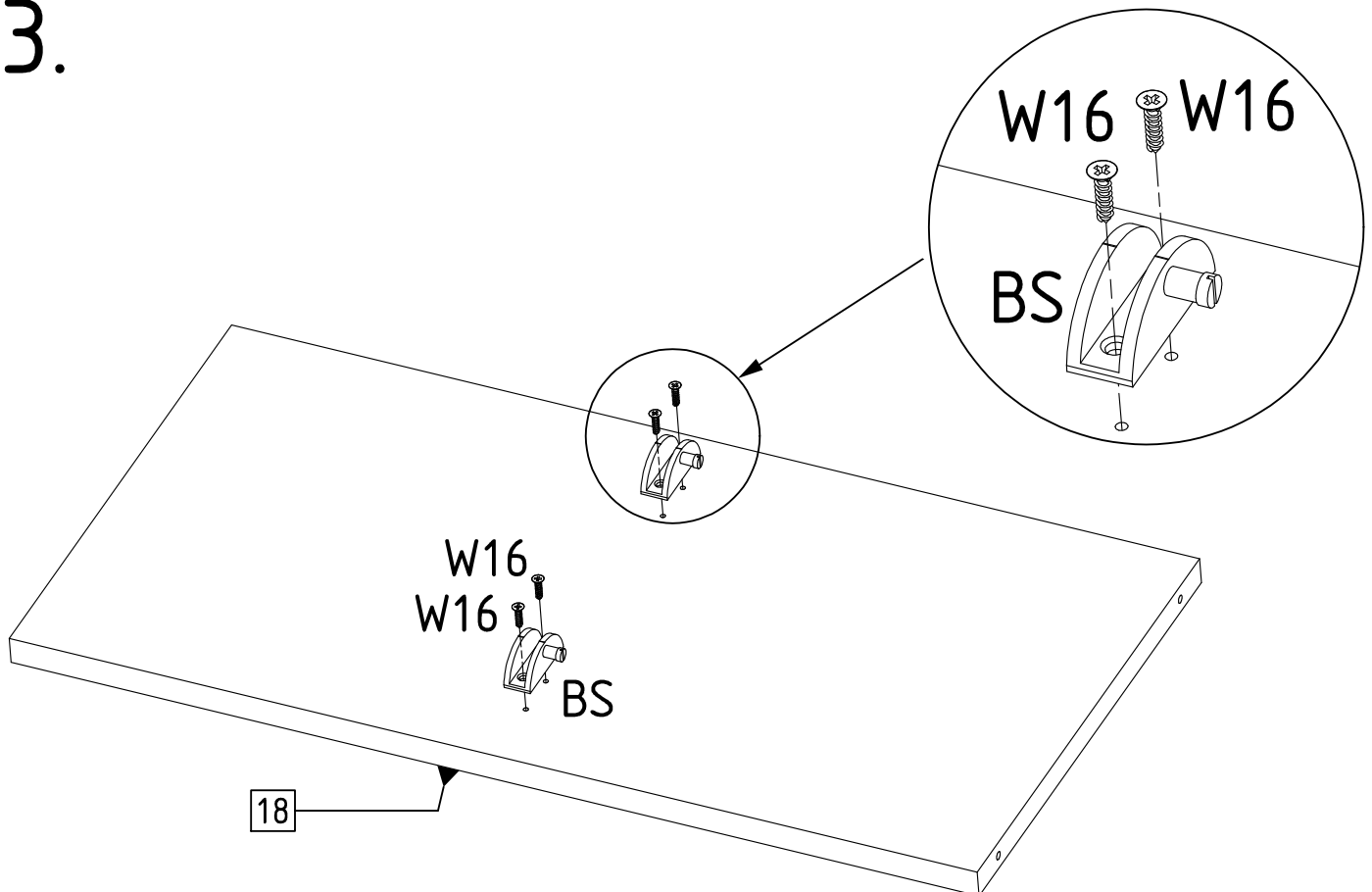
1.

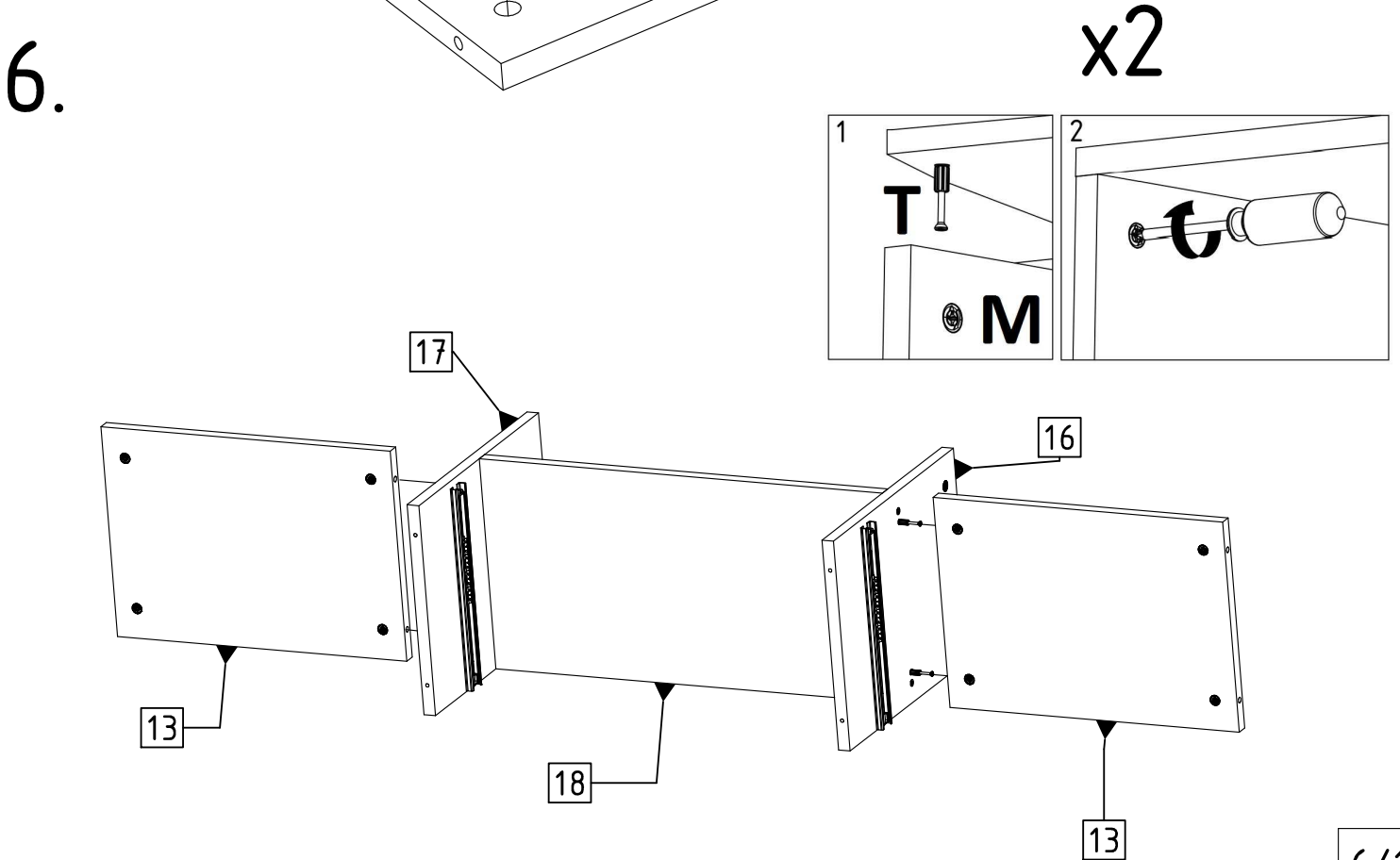
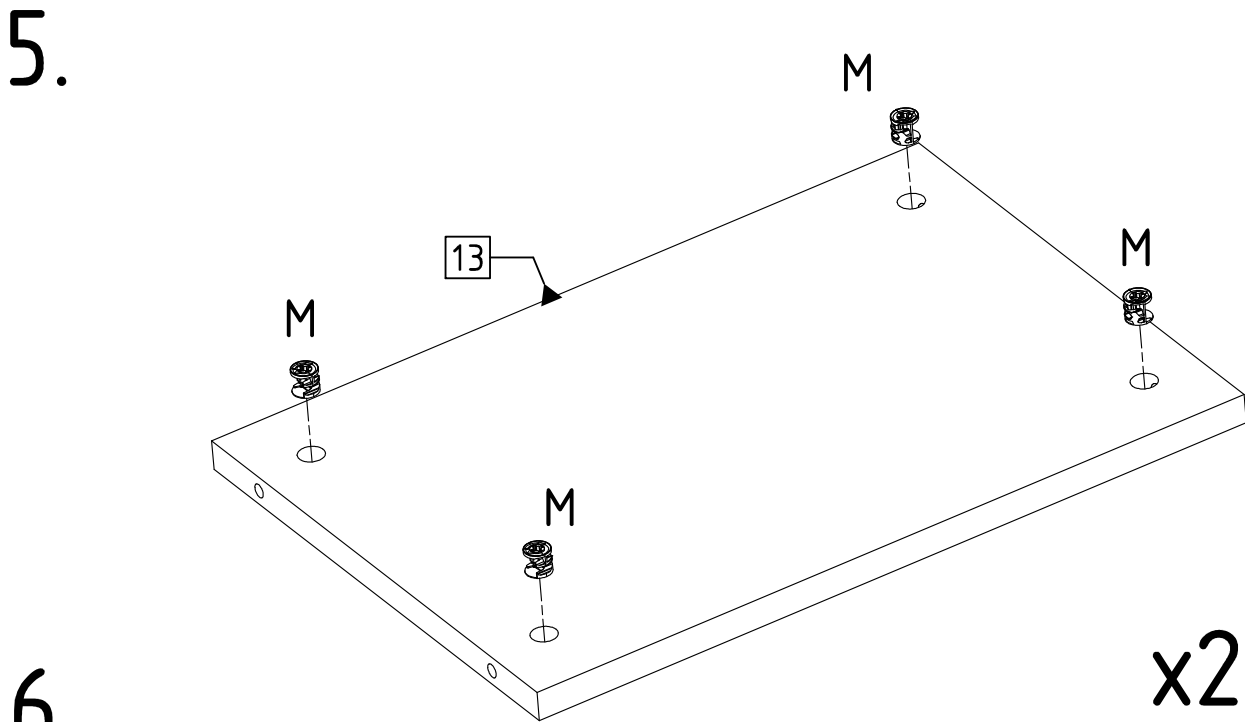
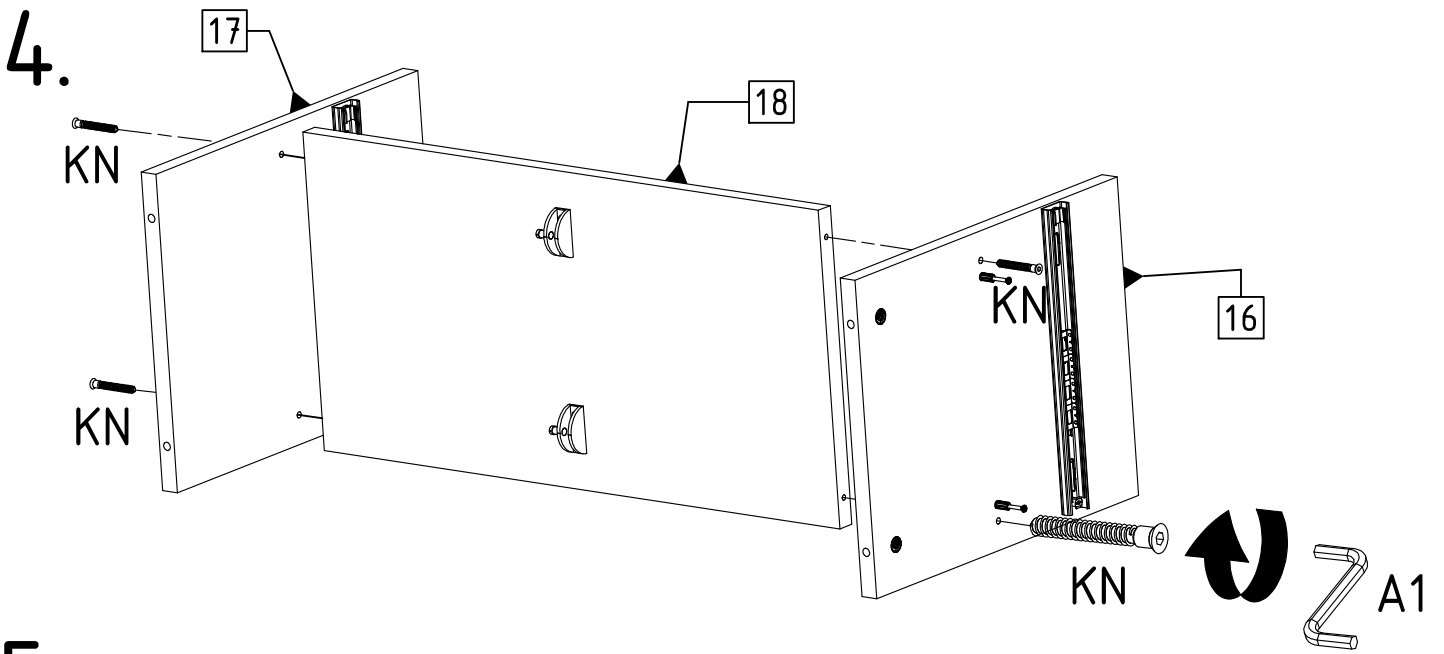


2.

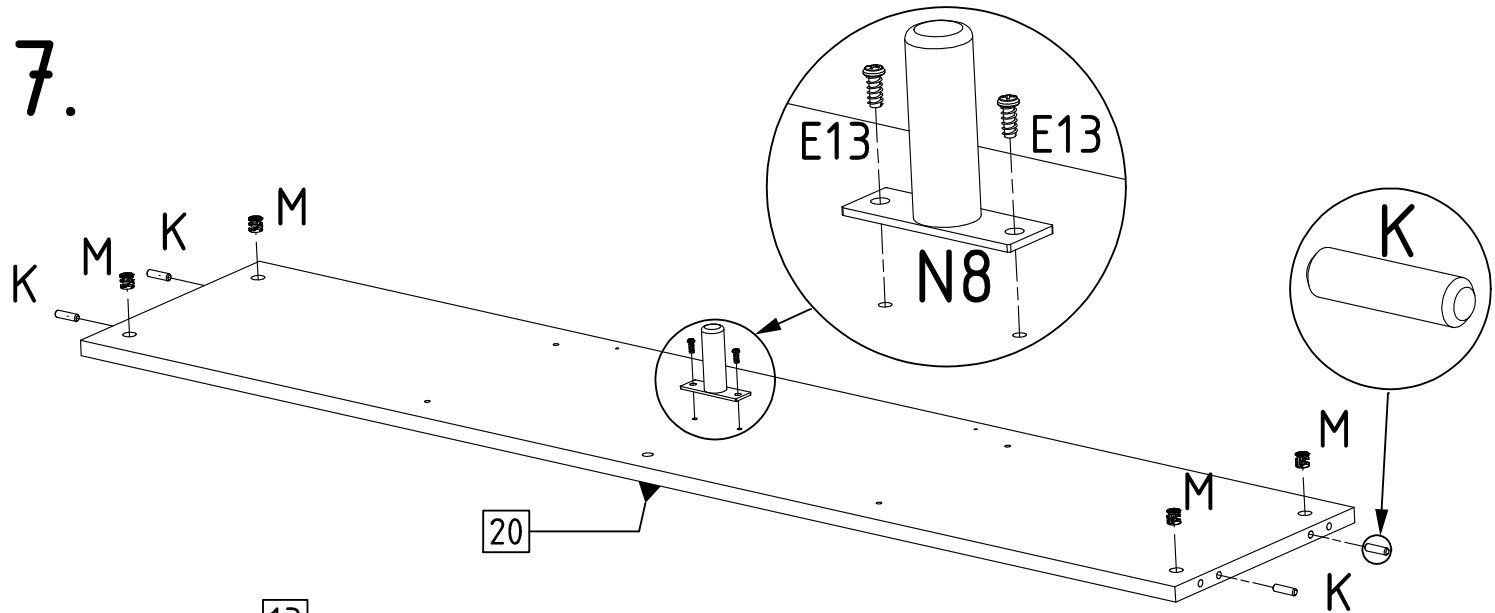


3.

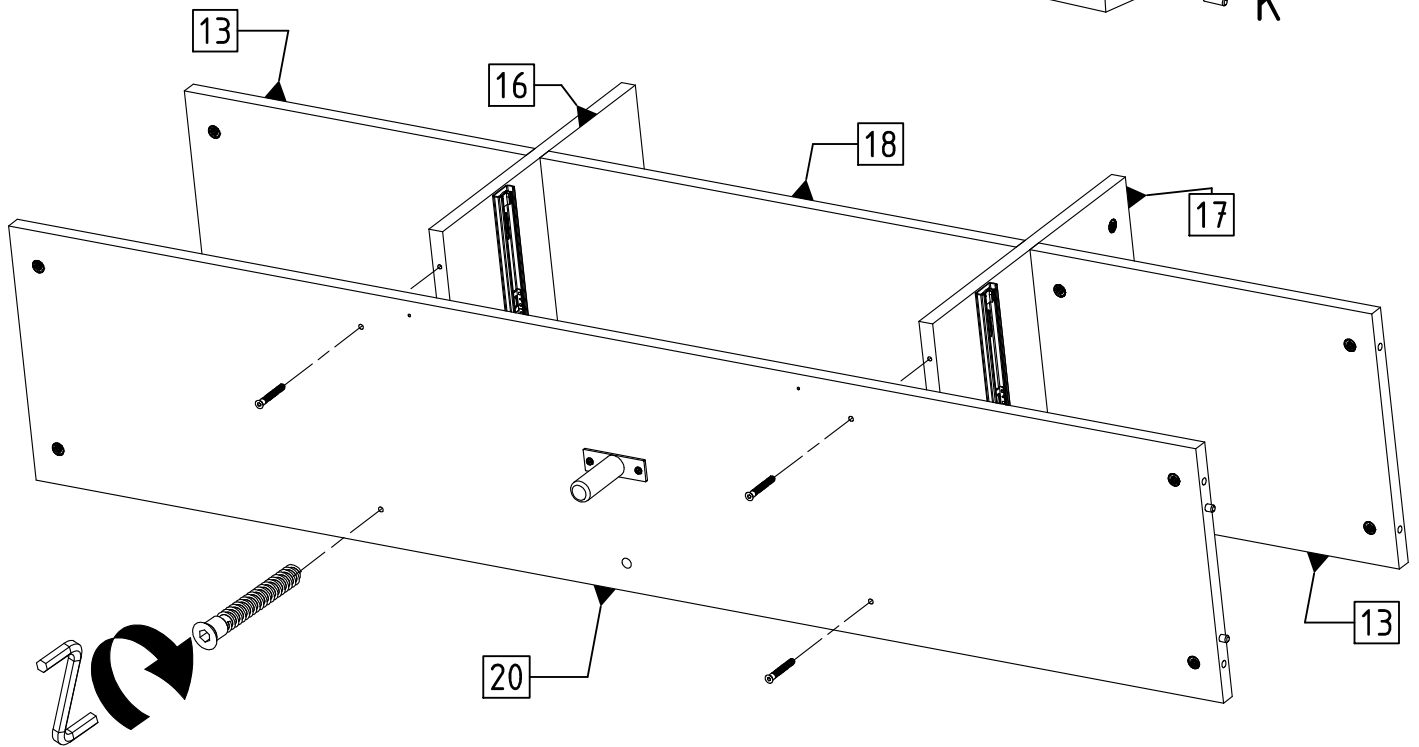




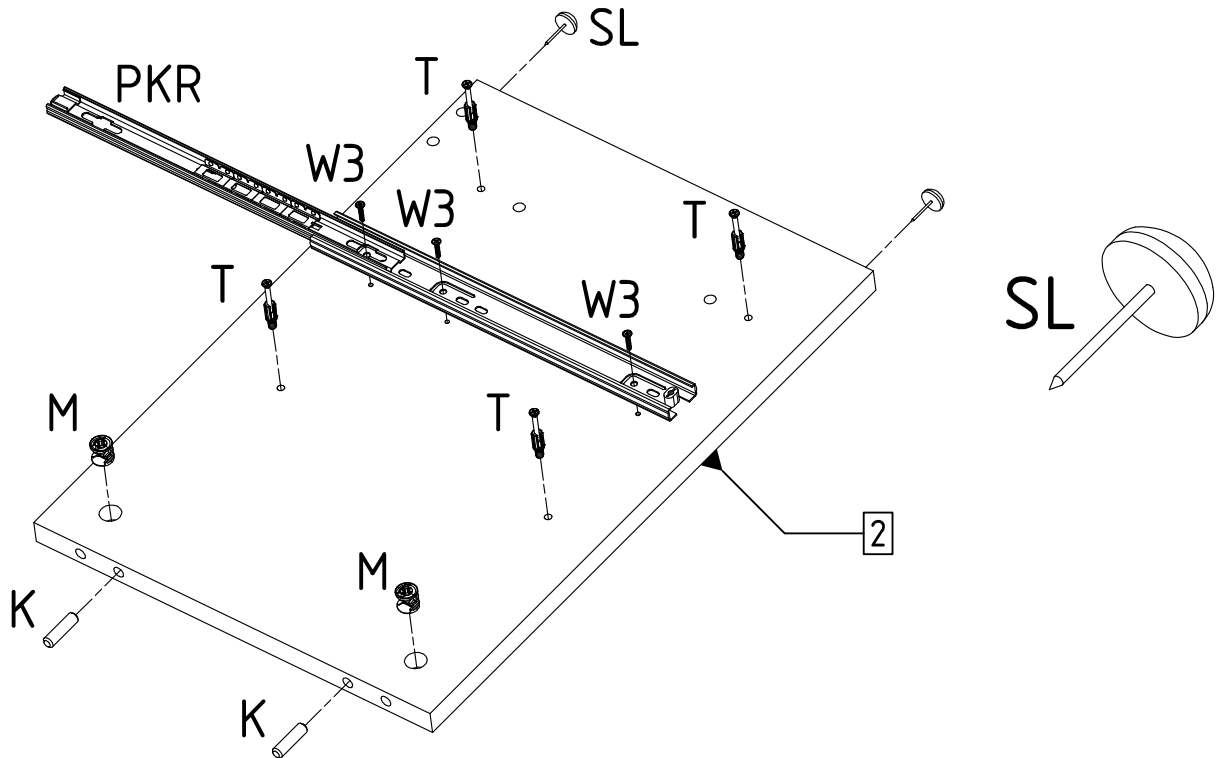
7.



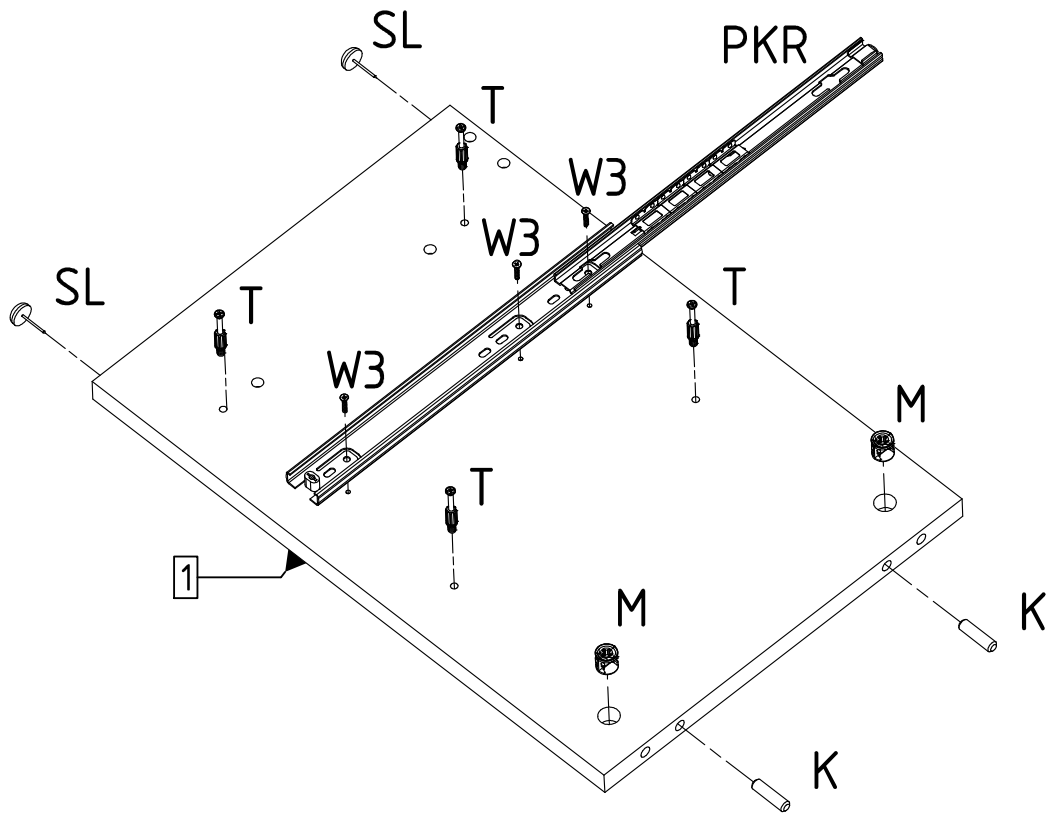
8.



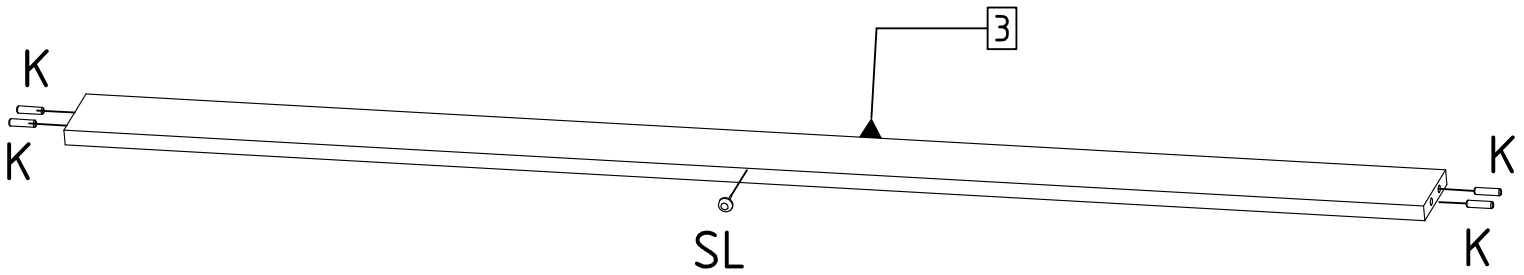
9.



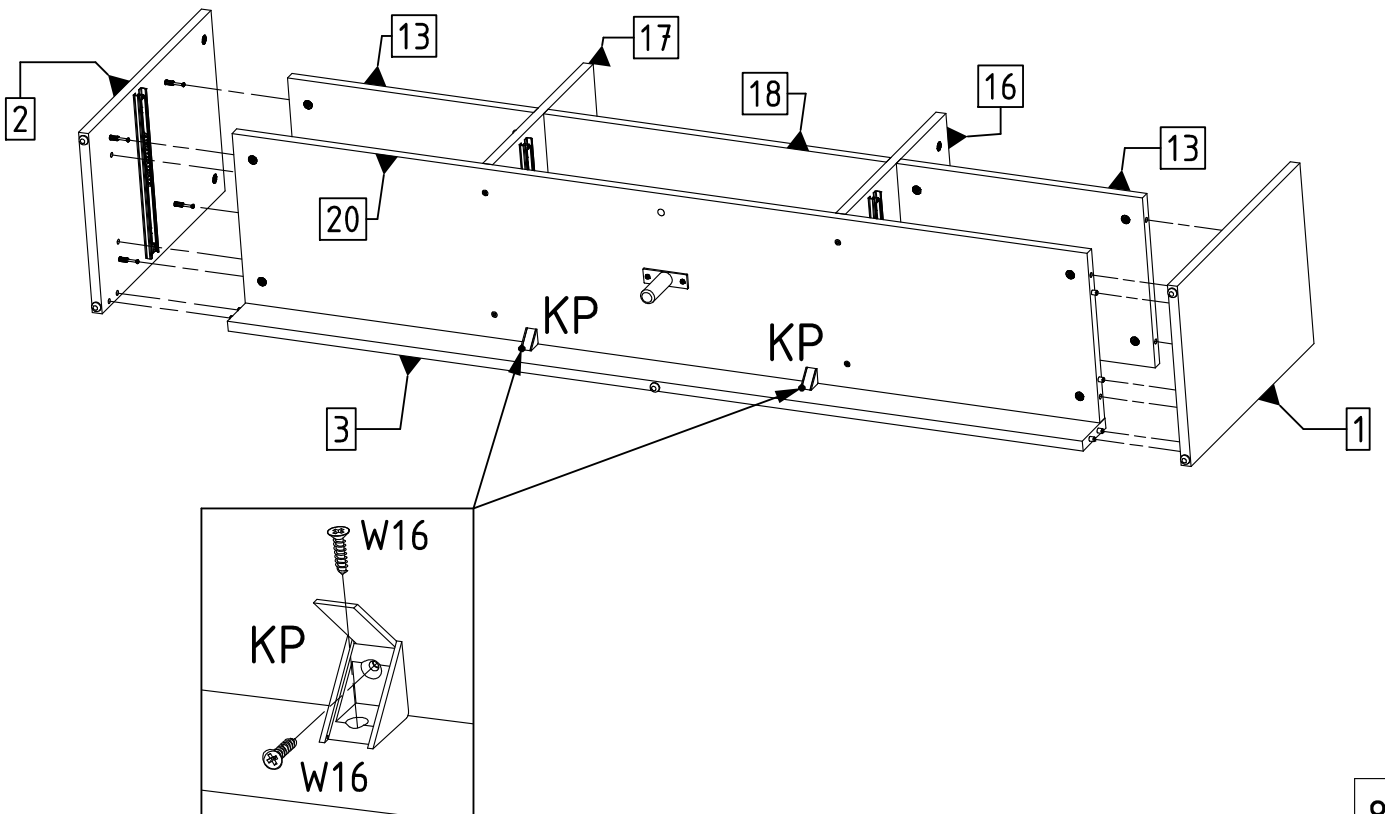
10.



11.

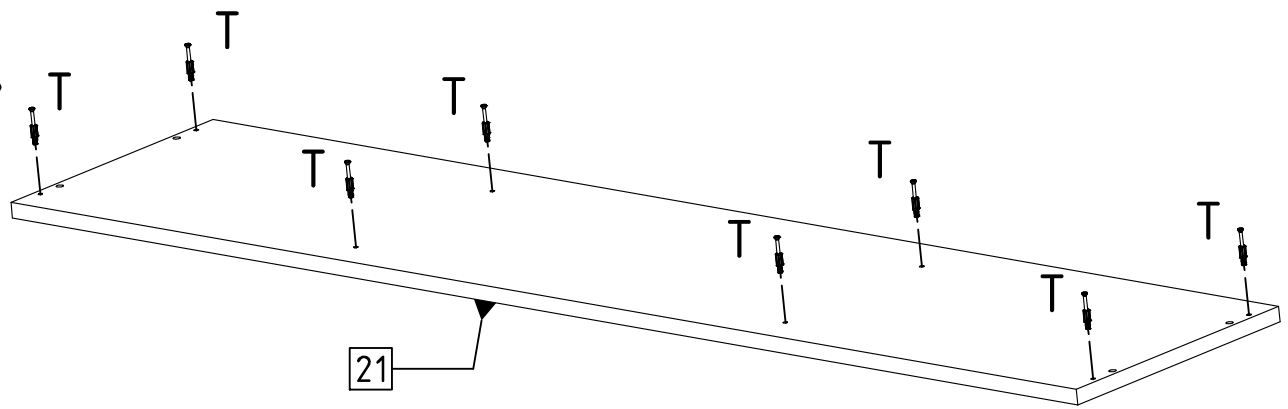


12.

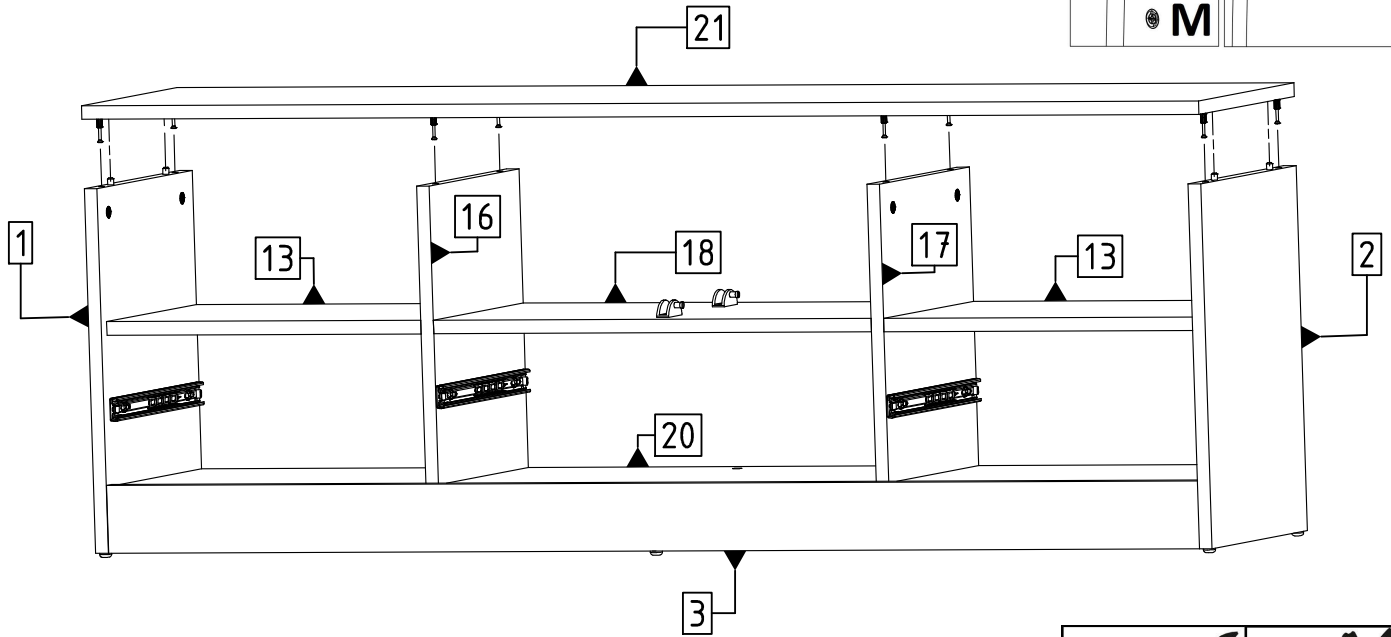




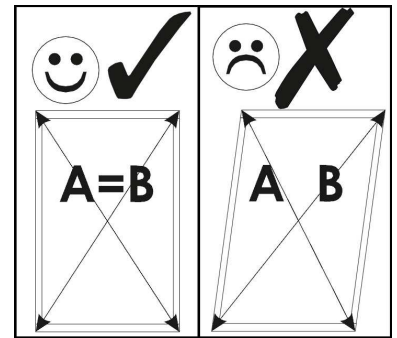
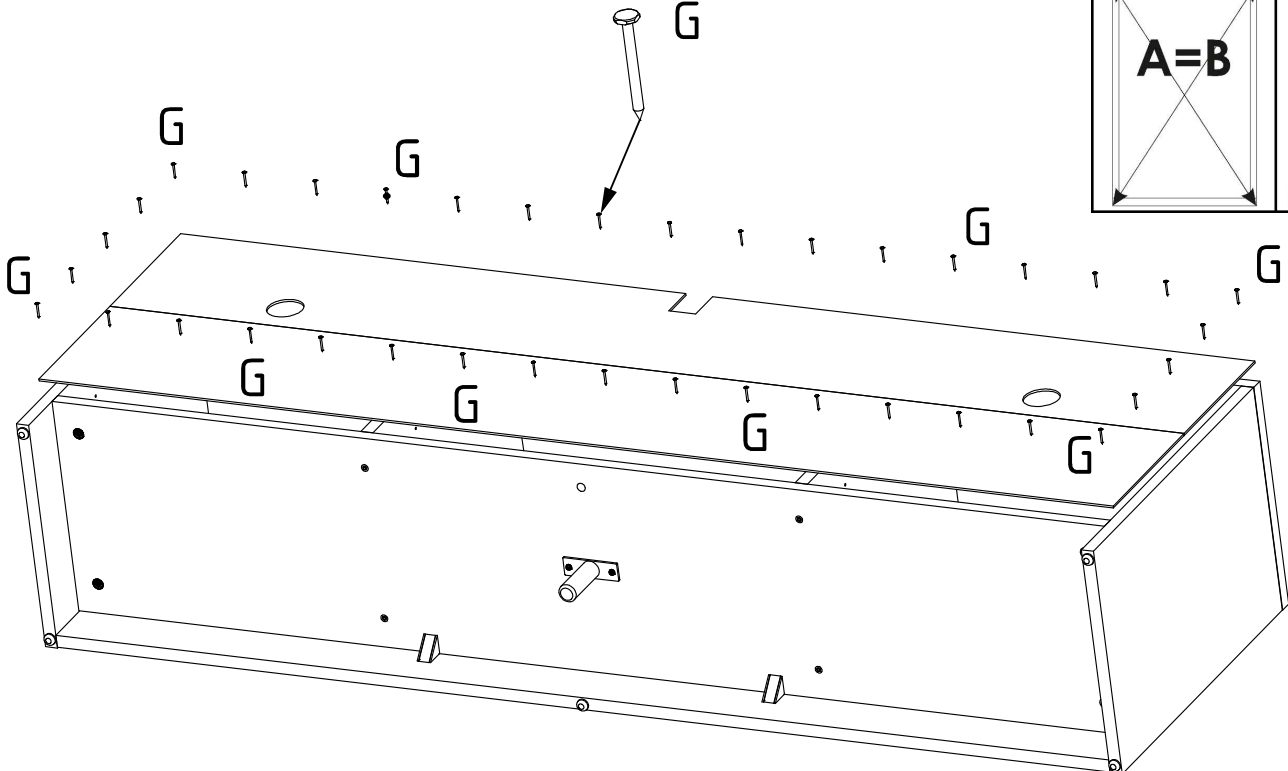
13.



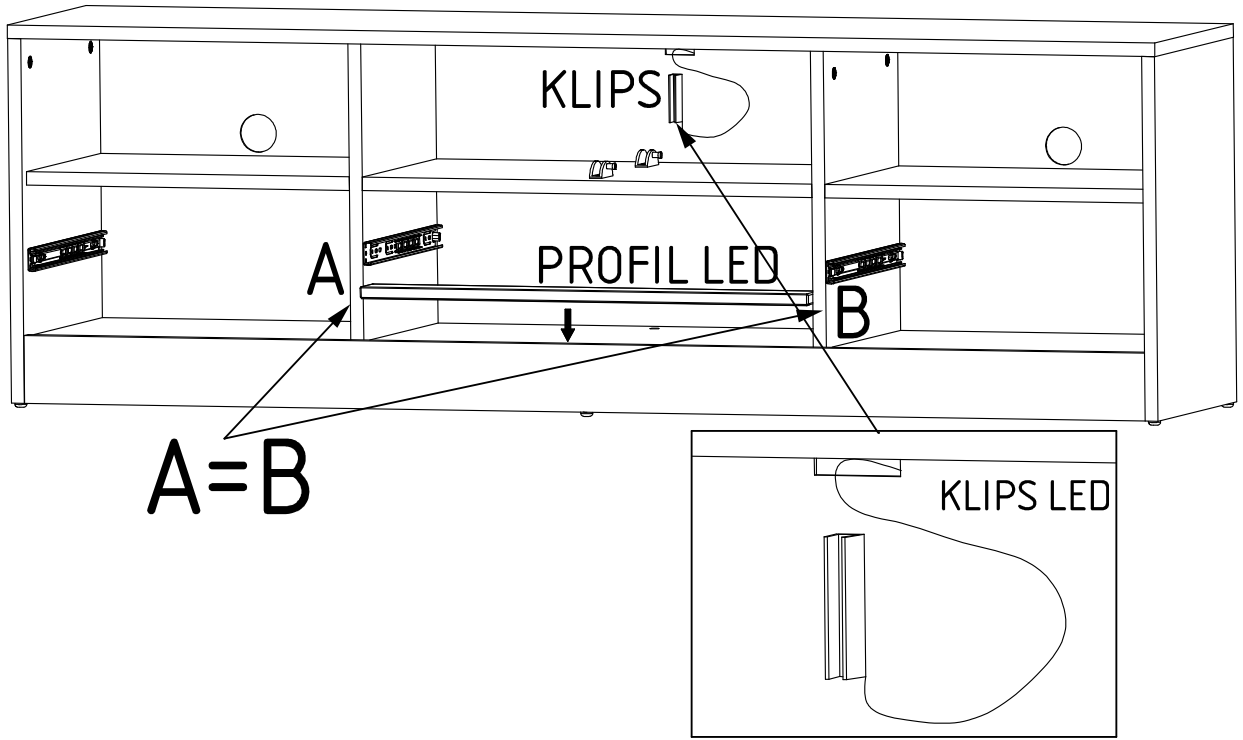
14.



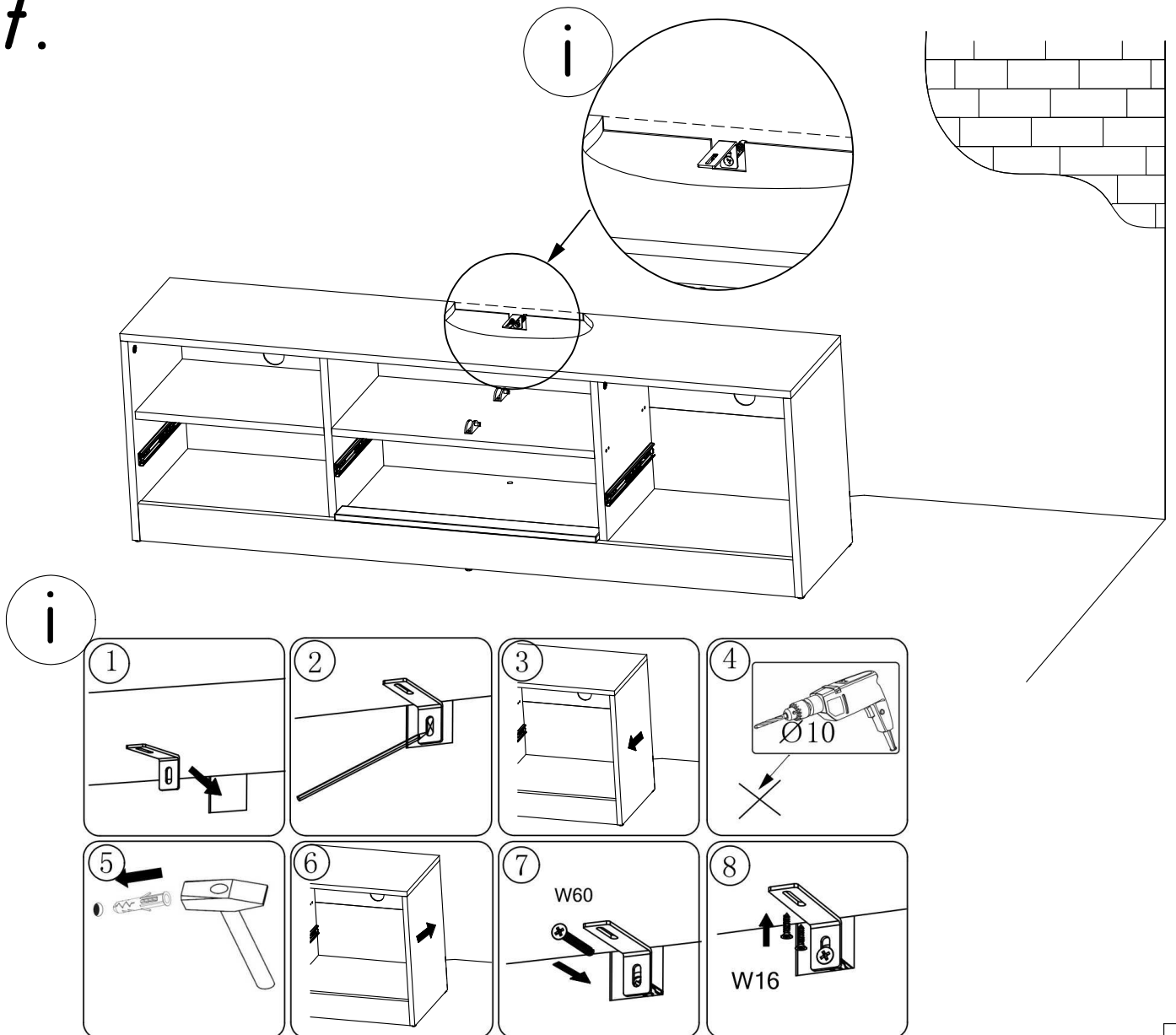
15.



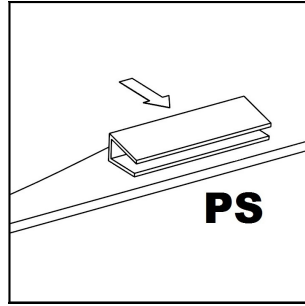
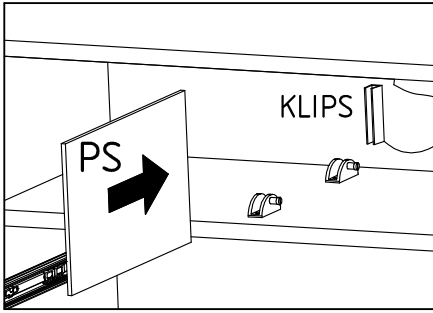
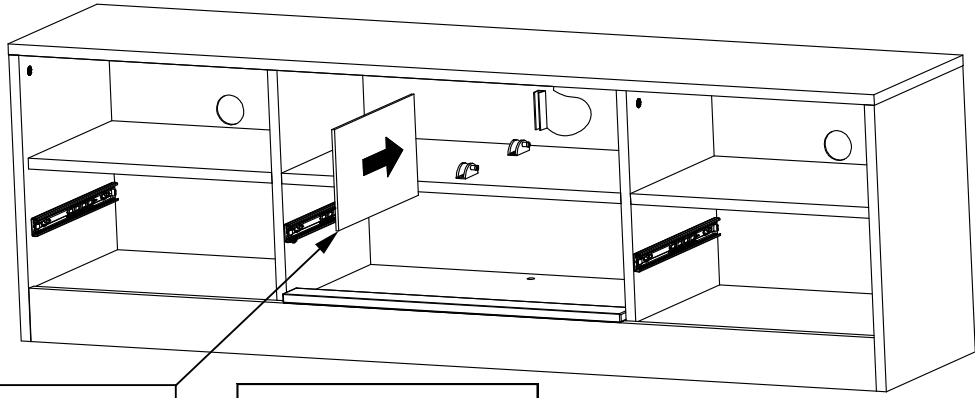
16.



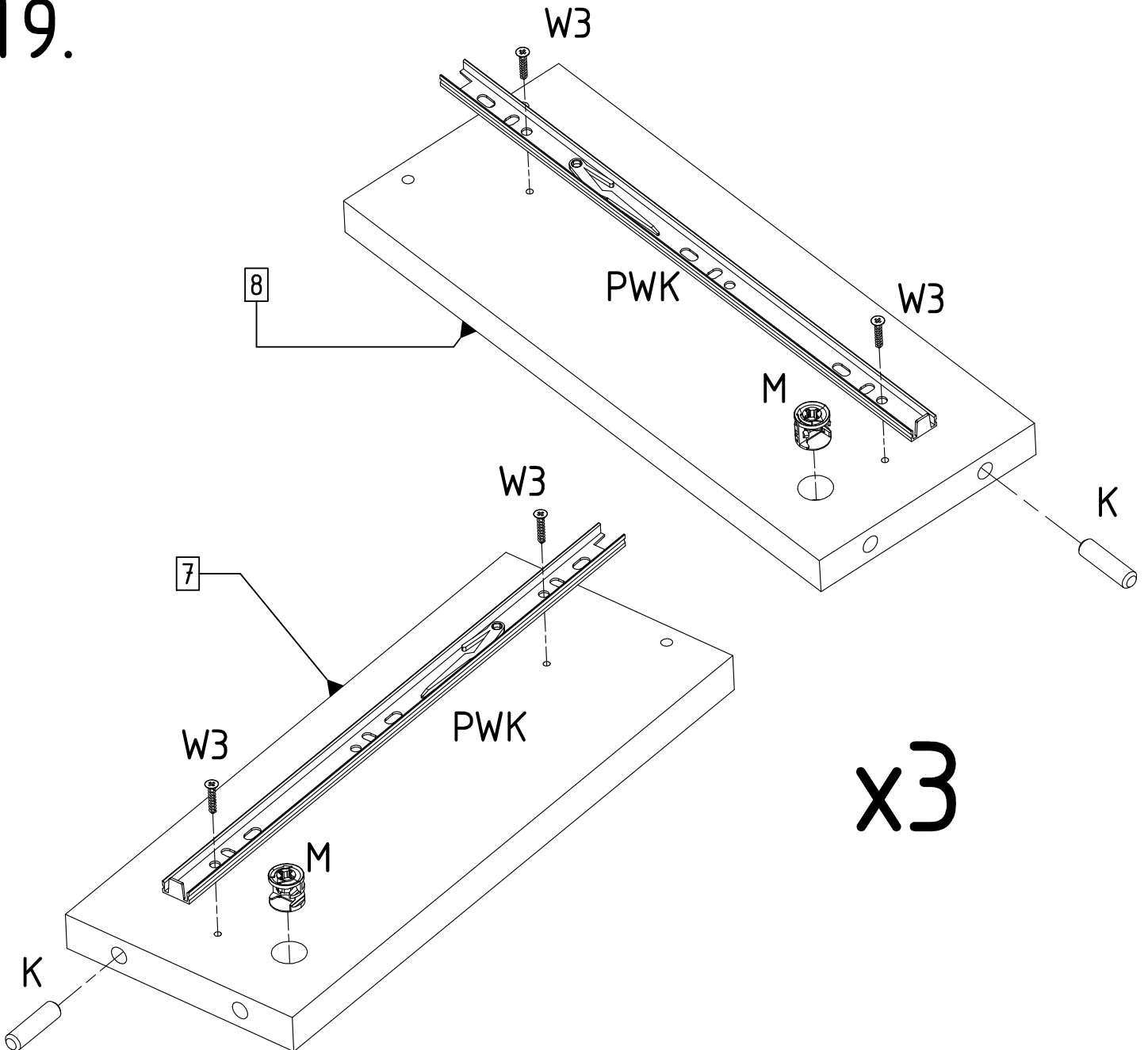
17.



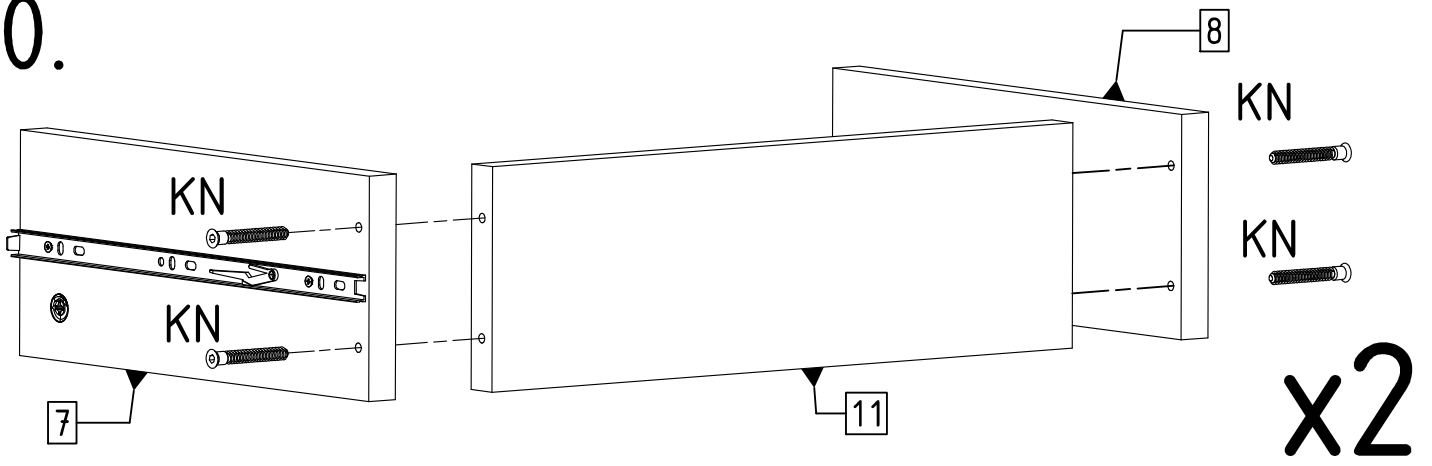
18.



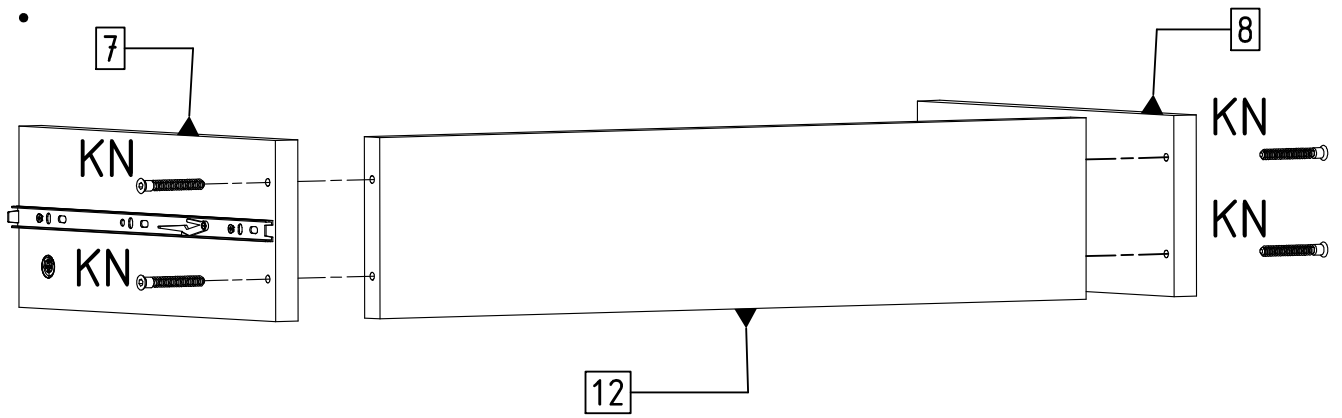
19.



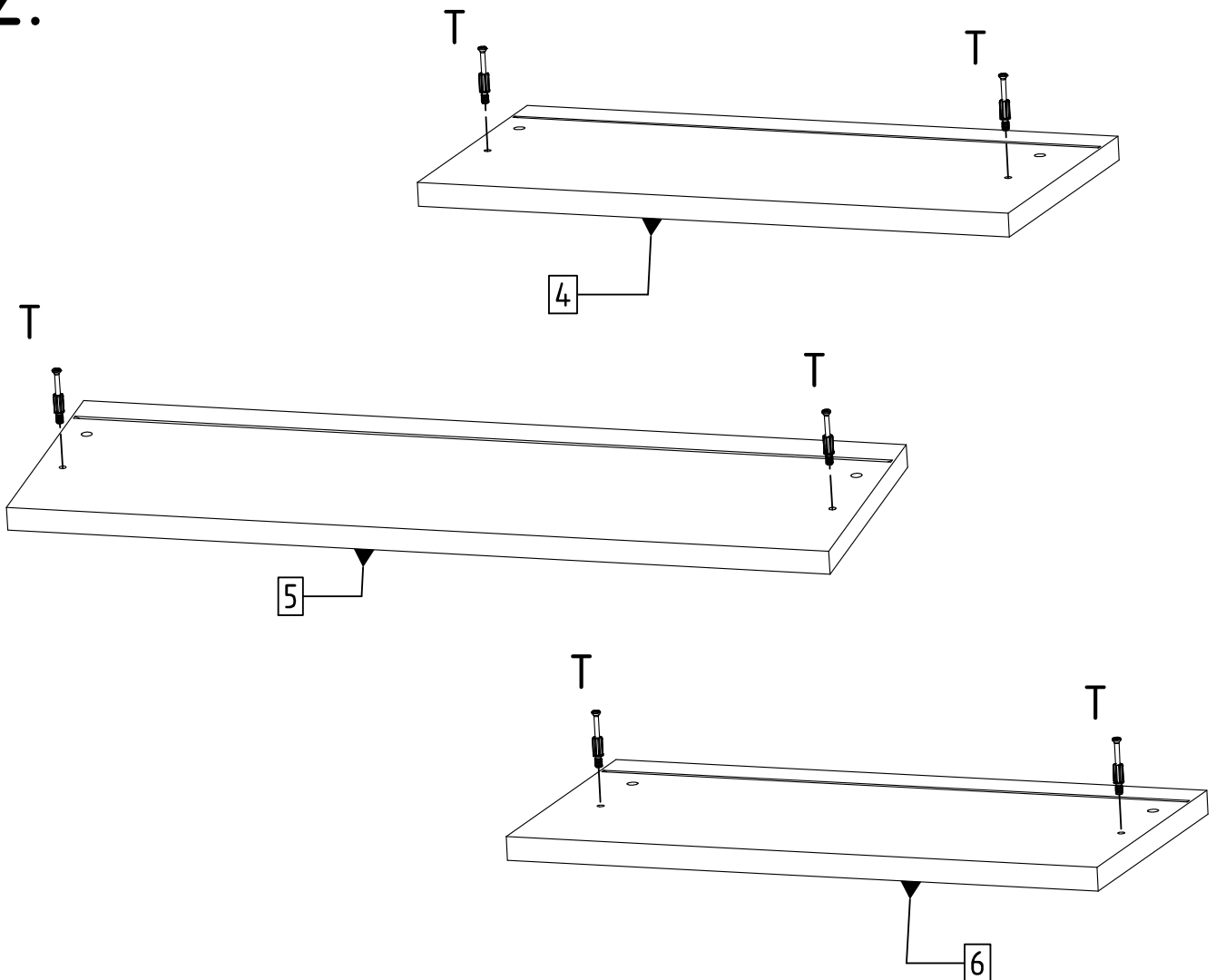
20.



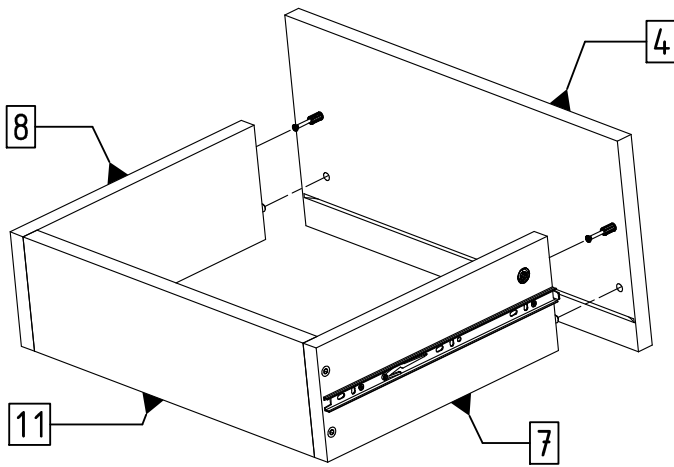
21.



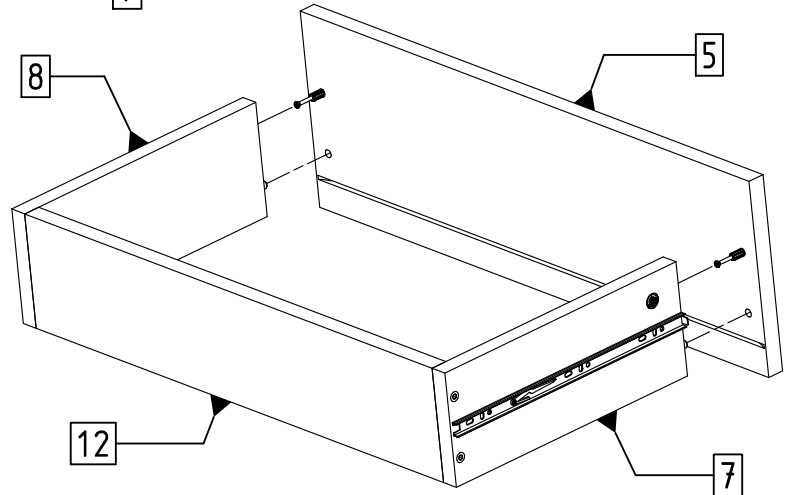
22.



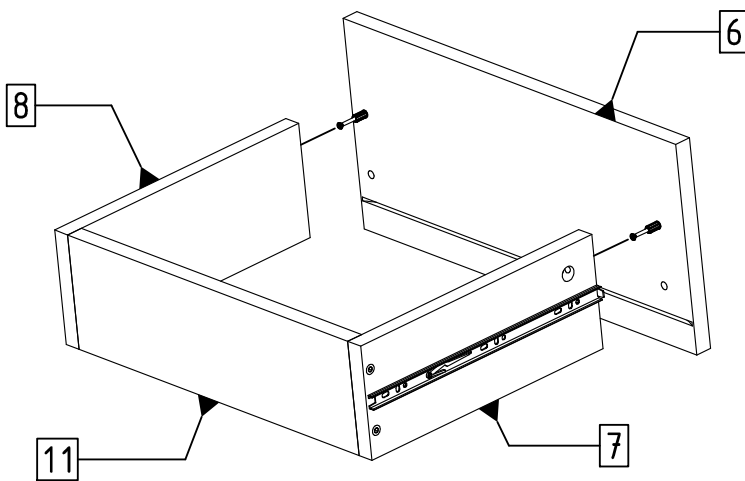
24.



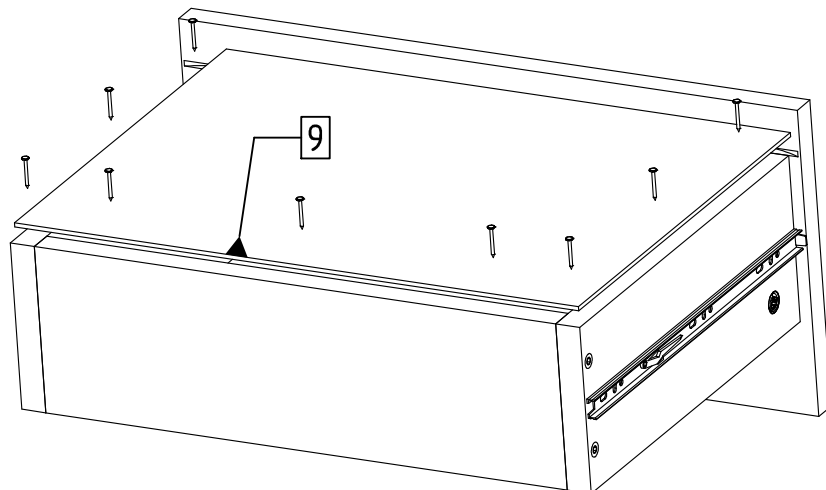
25.



26.

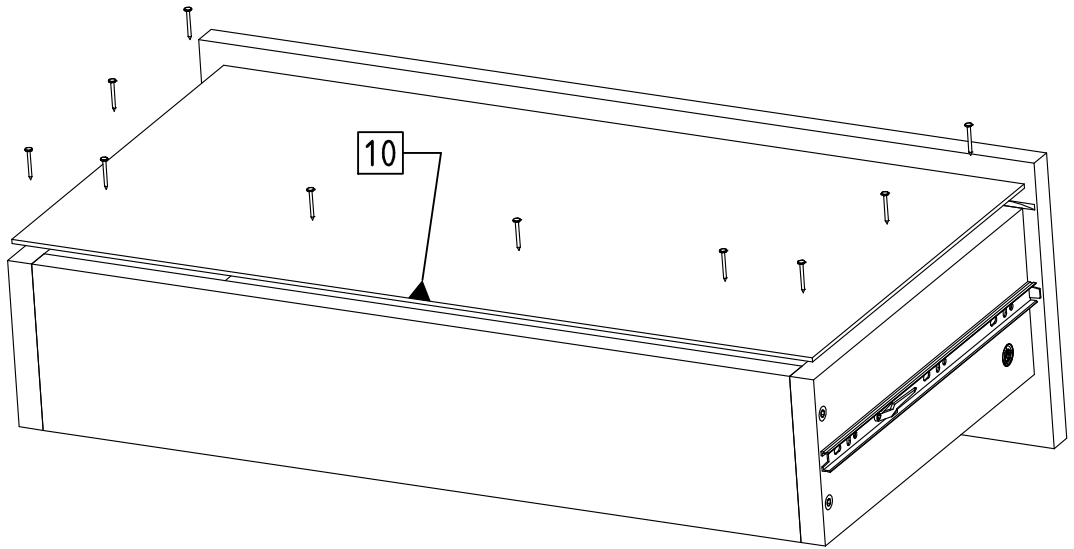


27.

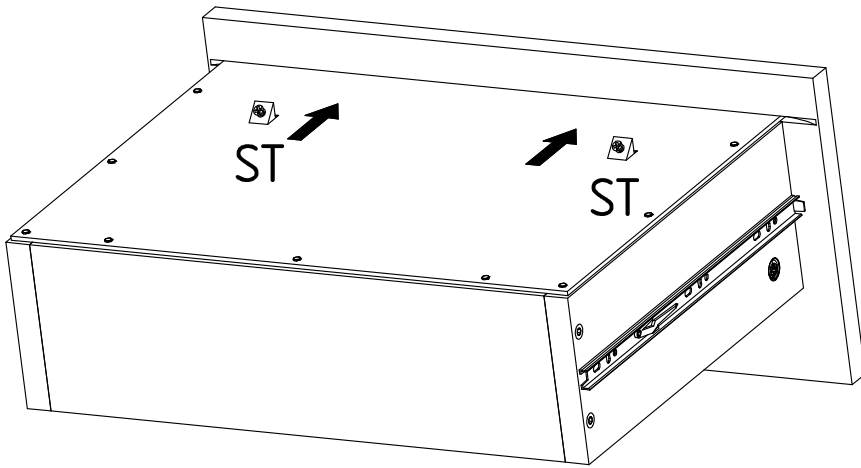


x2

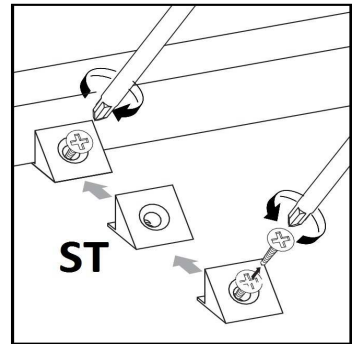
28.



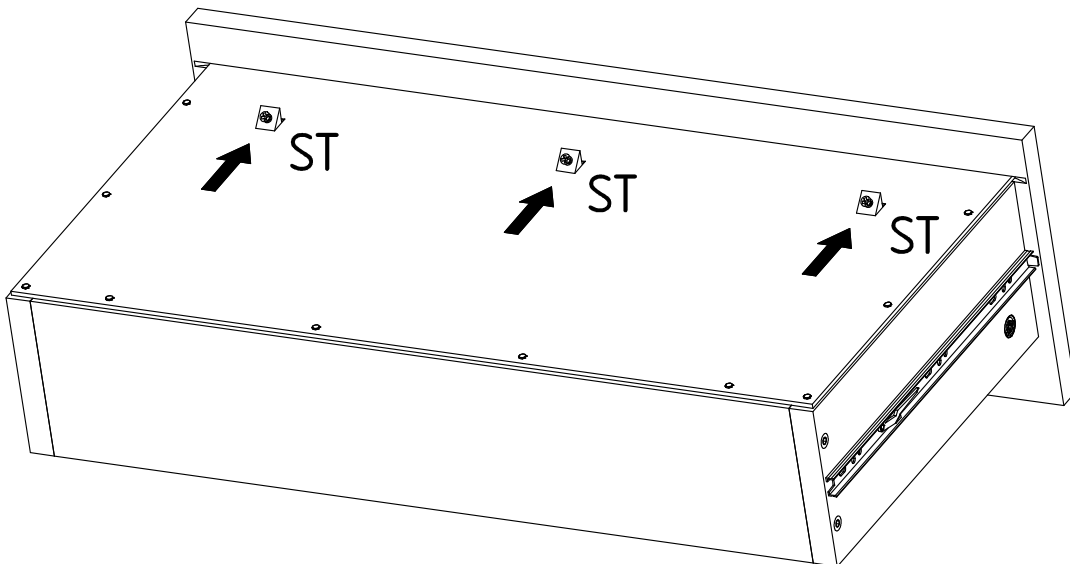
29.

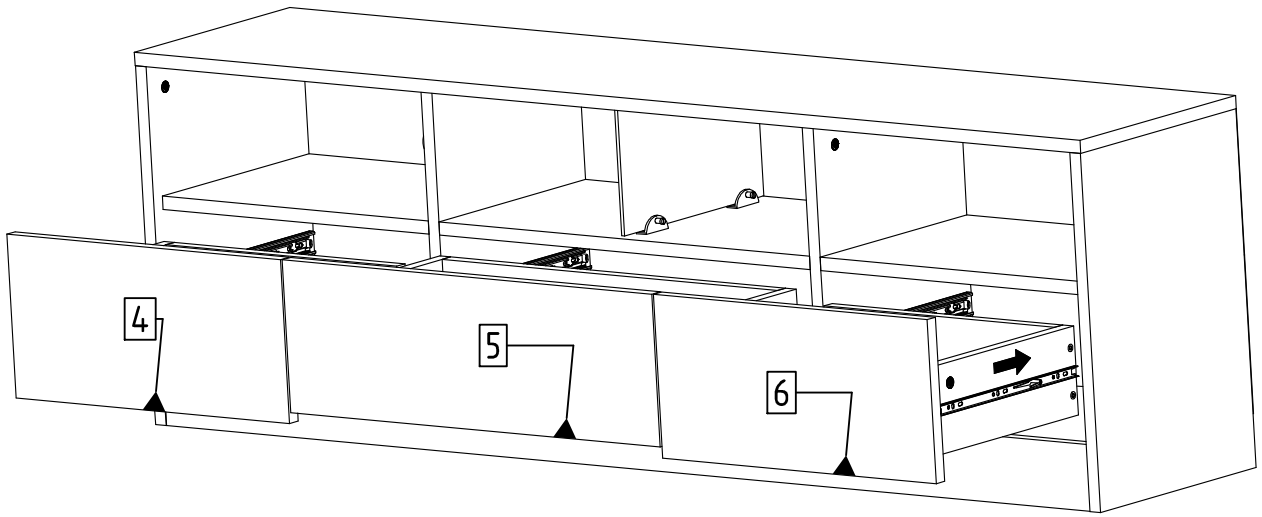


x2



30.





31.

