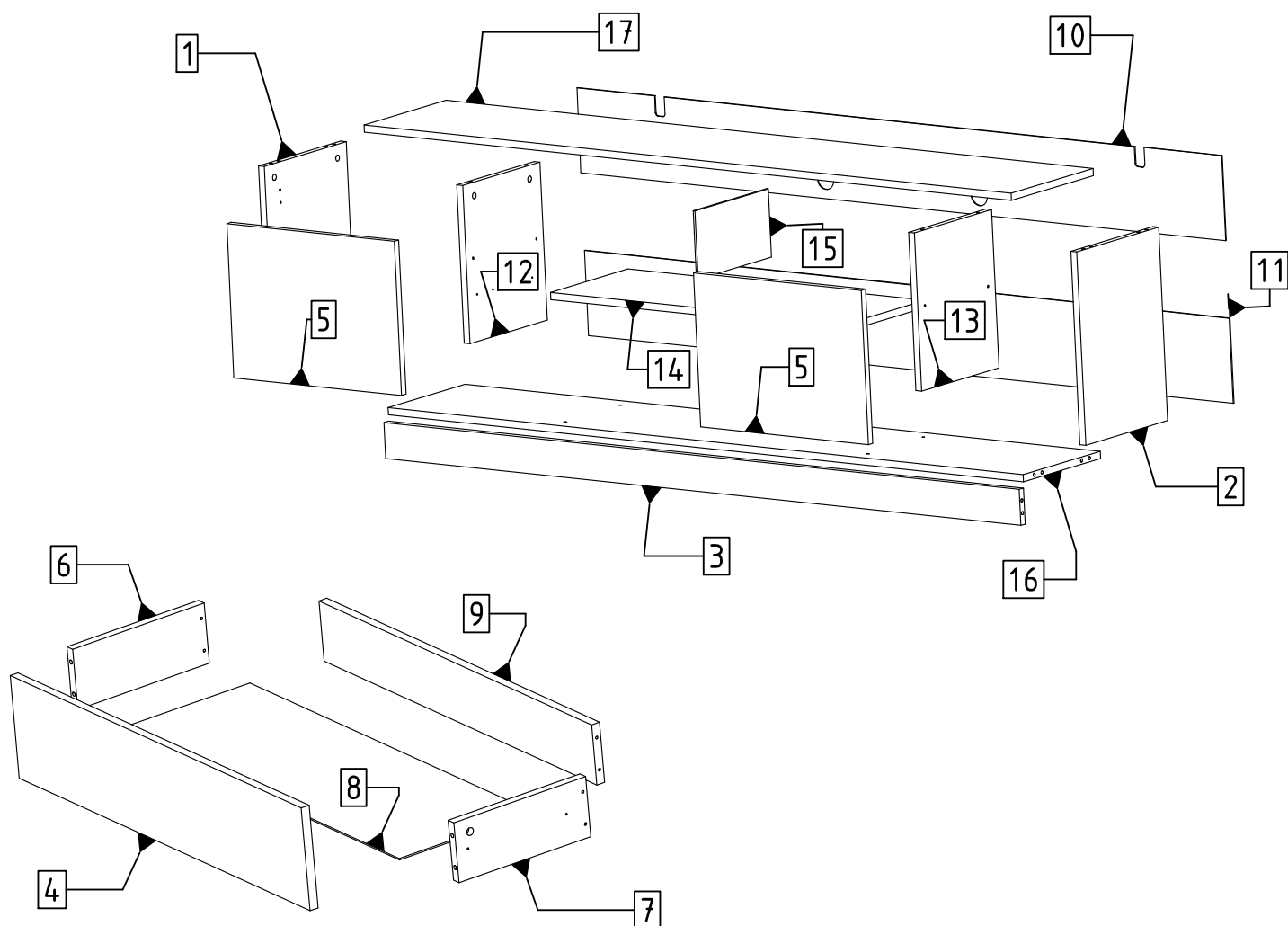
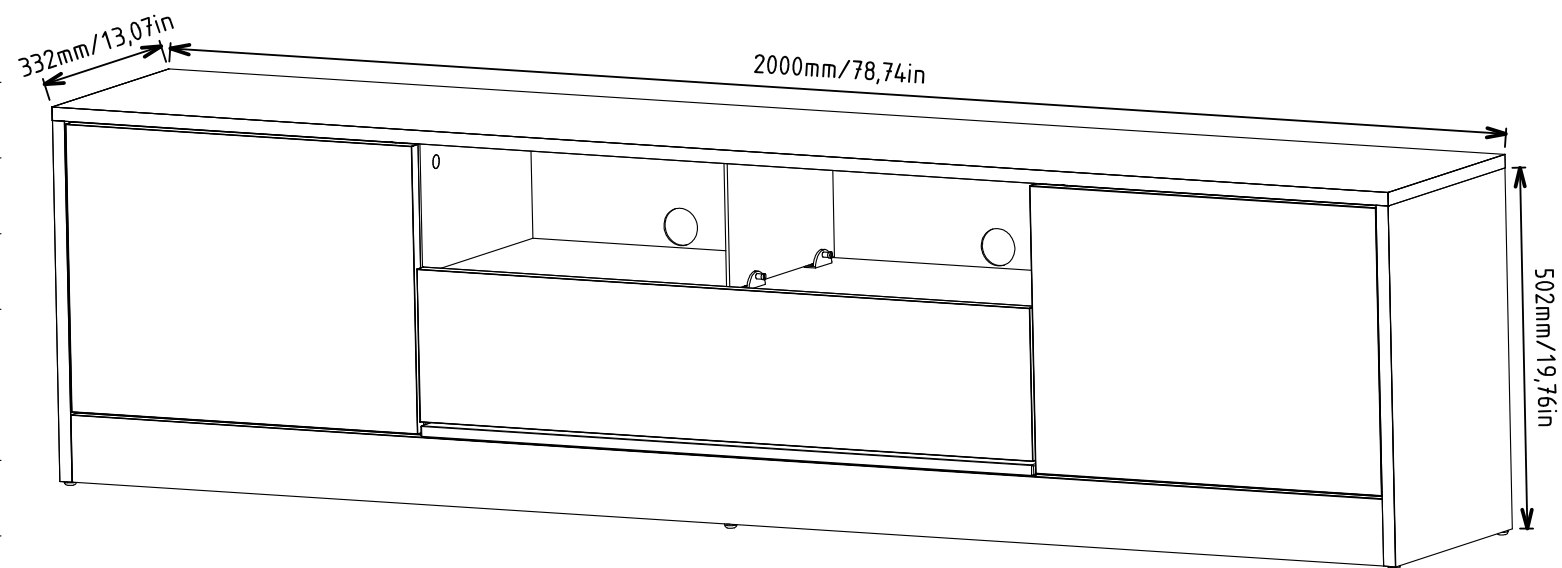


DISPARO

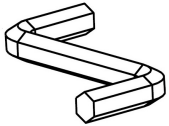
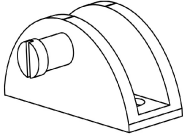
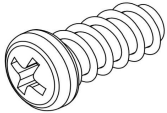
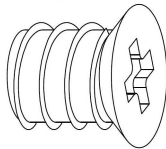

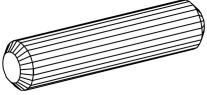
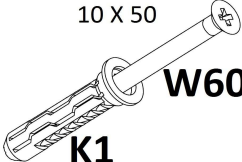
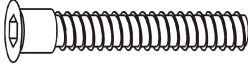
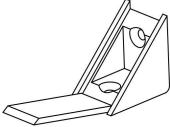
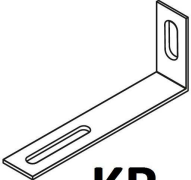


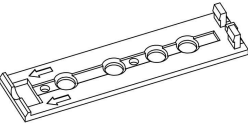
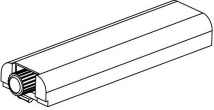
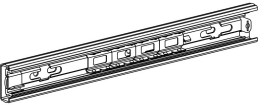
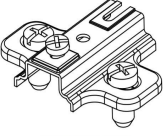
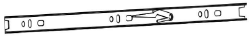
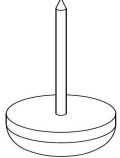
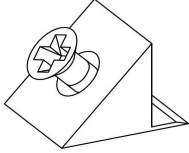
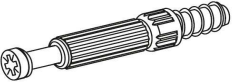
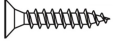
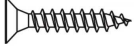
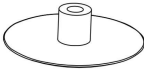
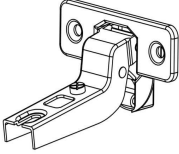
DISPAR002

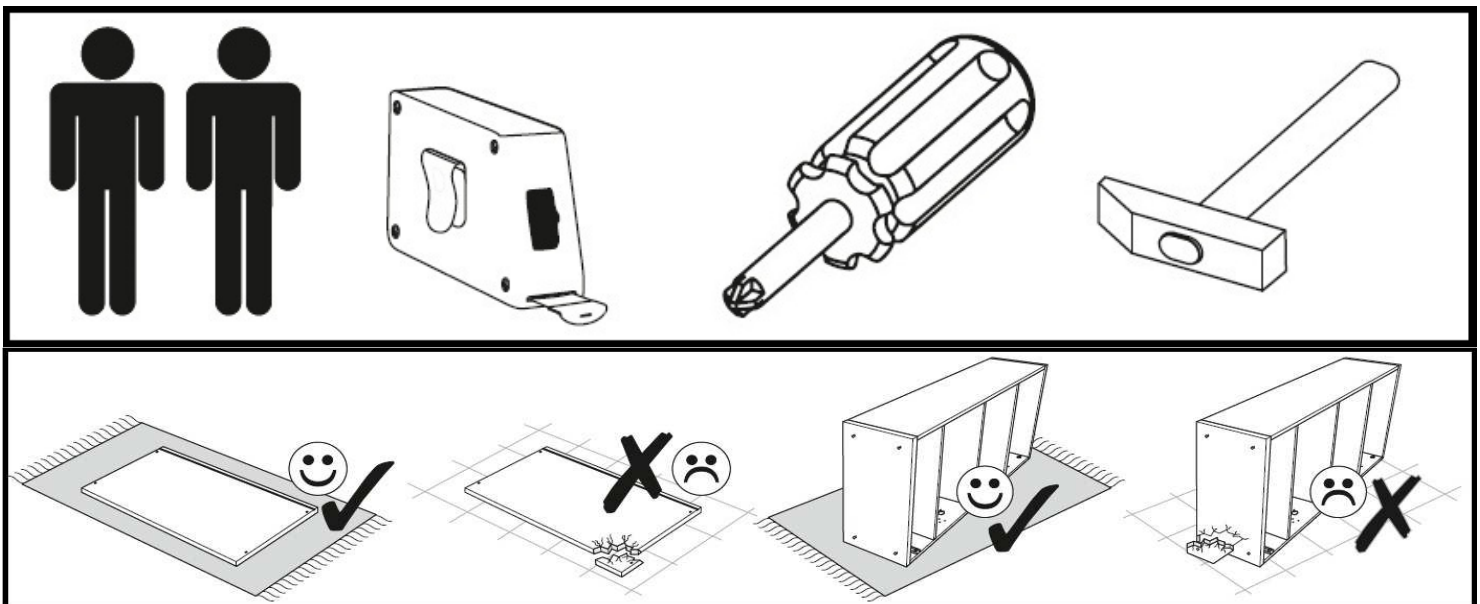
0P-28,85



# Table accessories

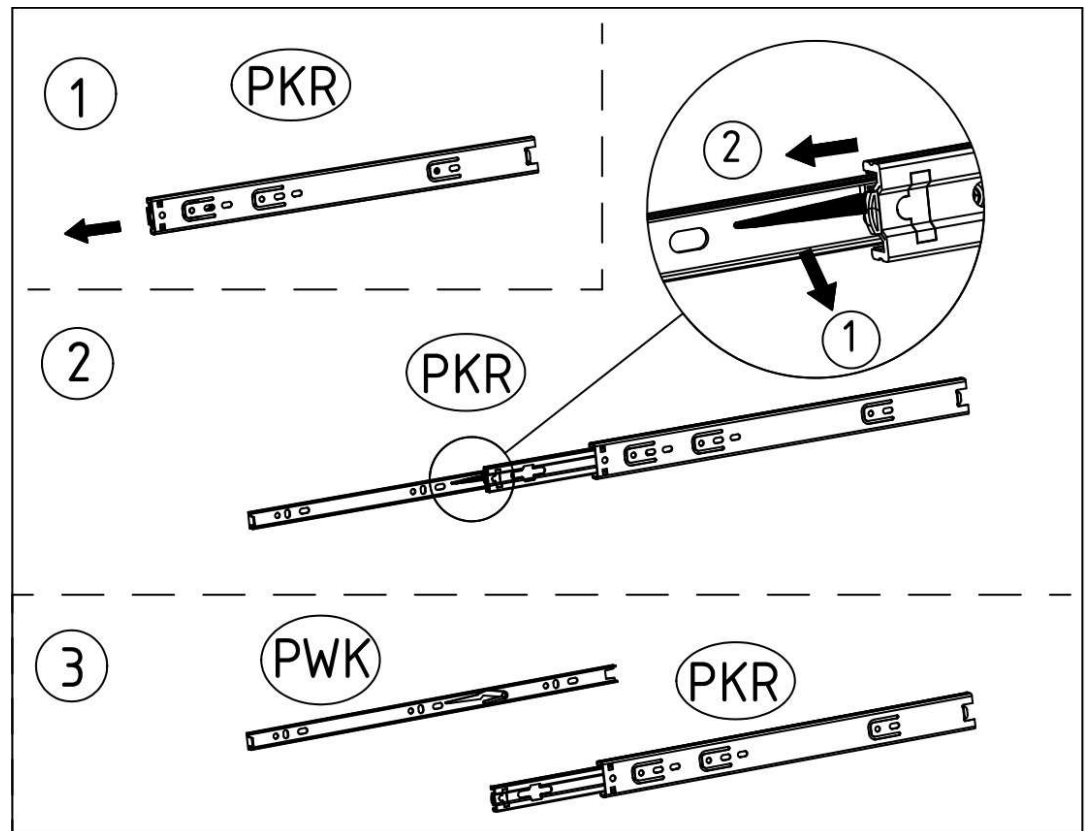
## DISPARO 02

 <b>A1</b> 8 x 30	 <b>BS</b> 10 X 50	6,3 X 13  <b>E13</b> 6,3 X 50	6,3x9mm  <b>E3</b>	 <b>G</b>
 <b>K</b> 15 x 12	 <b>K1</b> H:76mm	 <b>KN</b>	 <b>KP</b>	 <b>KR</b> L300
 <b>M</b>	 <b>N8</b> L300	 <b>OB</b>	 <b>OB2</b>	 <b>PKR</b> 6 x 34 mm
 <b>PRE</b> 4 x 16	 <b>PWK</b>	 <b>SL</b>	 <b>ST</b>	 <b>T</b>
 <b>W16</b>	 <b>W3</b>	 <b>Z</b>	 <b>ZP5</b>	

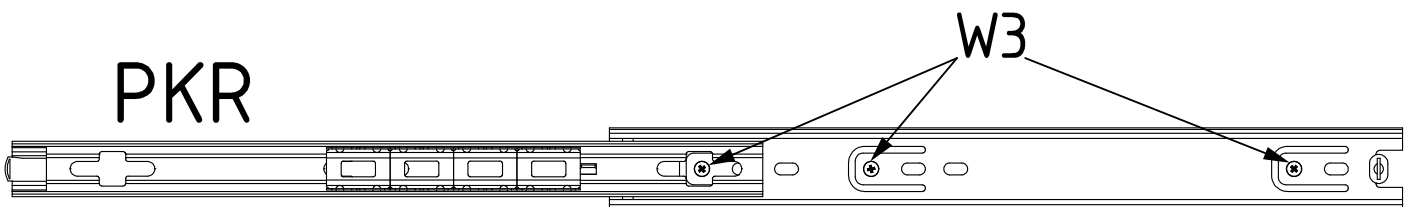
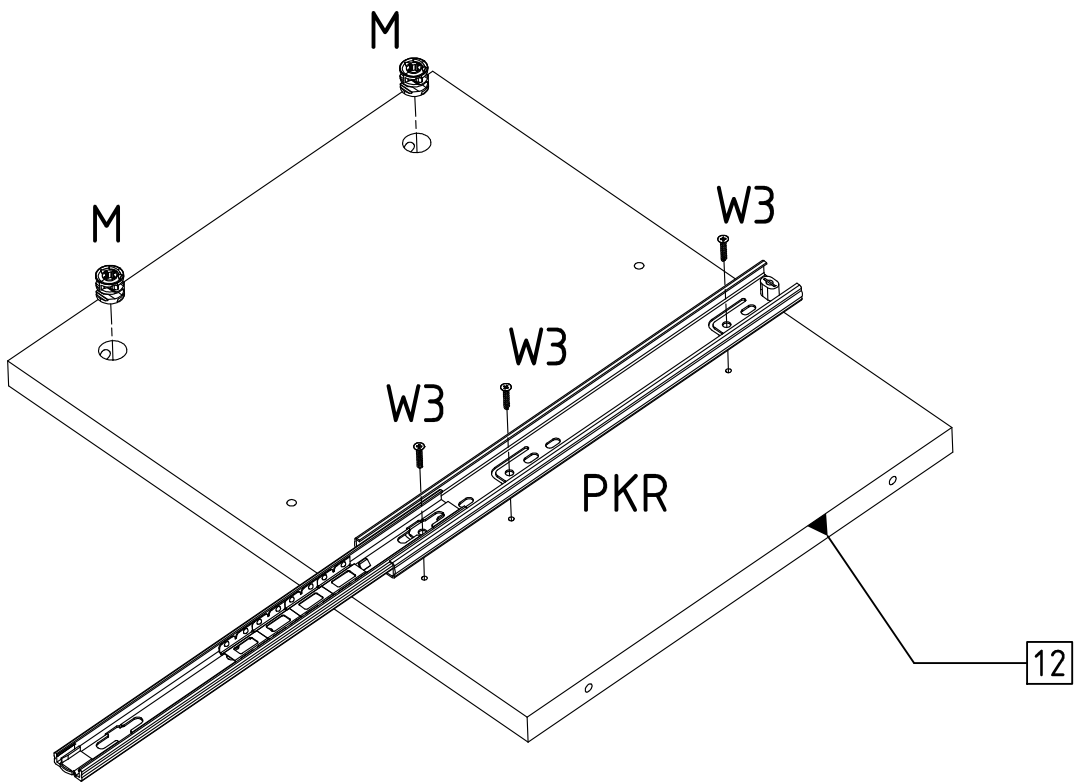
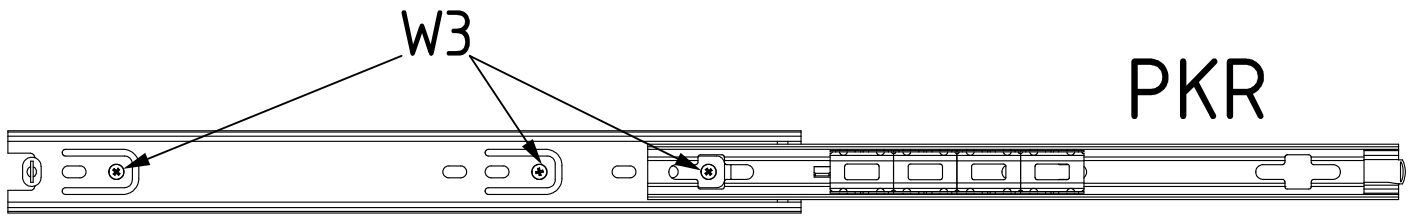
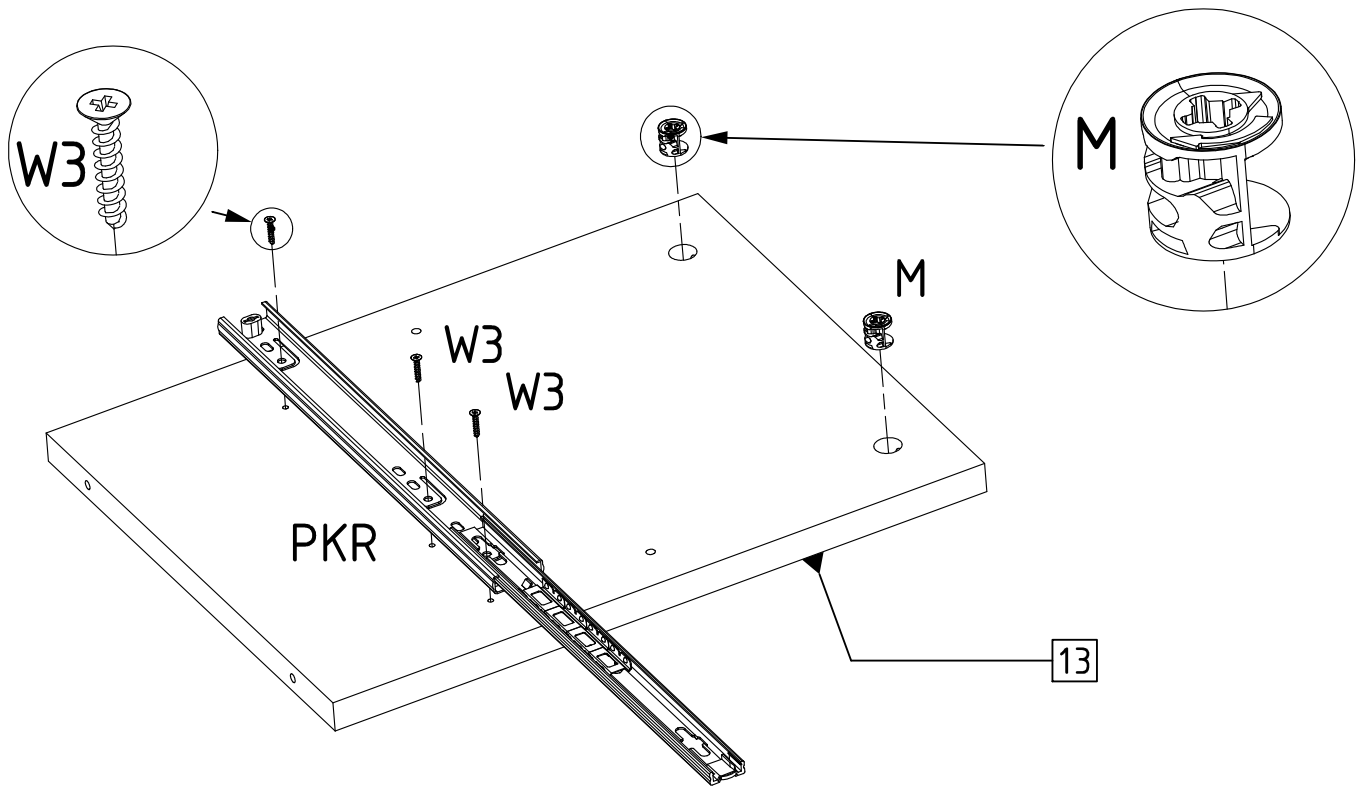


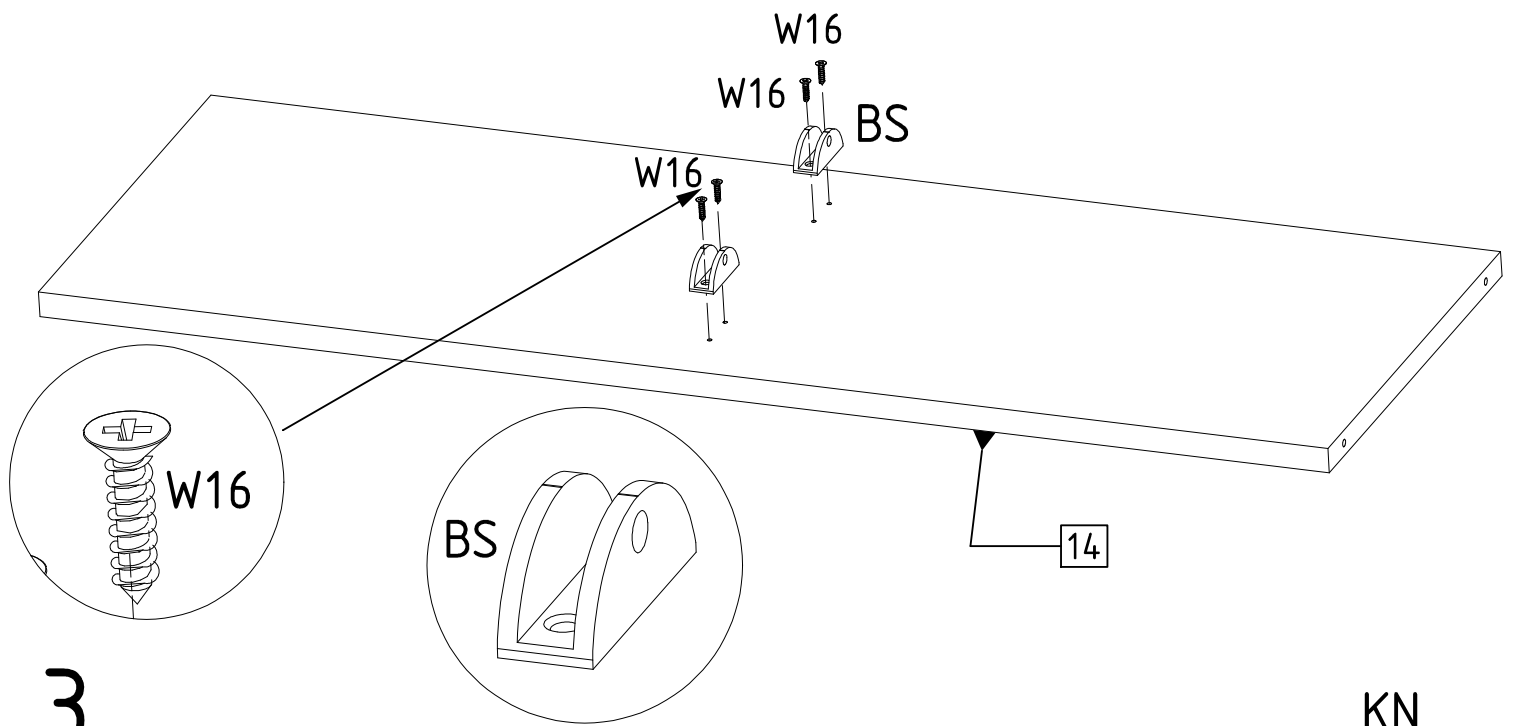
Elements				Accessories	
SYMBOL	LENGTH	WIDTH	QUANTITY	SYMBOL	QUANTITY
BL[1]	19.06	13.07	1	A1	1
BP[2]	19.06	13.07	1	BS	2
CD[3]	77.28	3.54	1	E13	2
FTS[4]	36.1	8.07	1	E3	4
FT[5]	15.2	20.39	2	G	58
KBL[6]	11.81	4.72	1	K	14
KBP[7]	11.81	4.72	1	K1	2
KD[8]	35.08	11.97	1	KN	12
KT[9]	33.82	4.72	1	KP	2
PC1[10]	78.46	8.39	1	KR	2
PC2[11]	78.46	8.39	1	M	14
PPI01[12]	15.59	12.32	1	N8	1
PPI02[13]	15.59	12.32	1	OB	2
PPO[14]	36.18	12.32	1	OB2	2
PS[15]	11.69	6.73	1	PKR [L300]	2
WD[16]	77.28	12.28	1	PRE	4
WG[17]	78.74	13.07	1	PWK [L300]	2
				SL	5
				ST	5
				T	14
				W16	20
				W3	10
				W60	2
				Z	14
				ZP5	4

1.

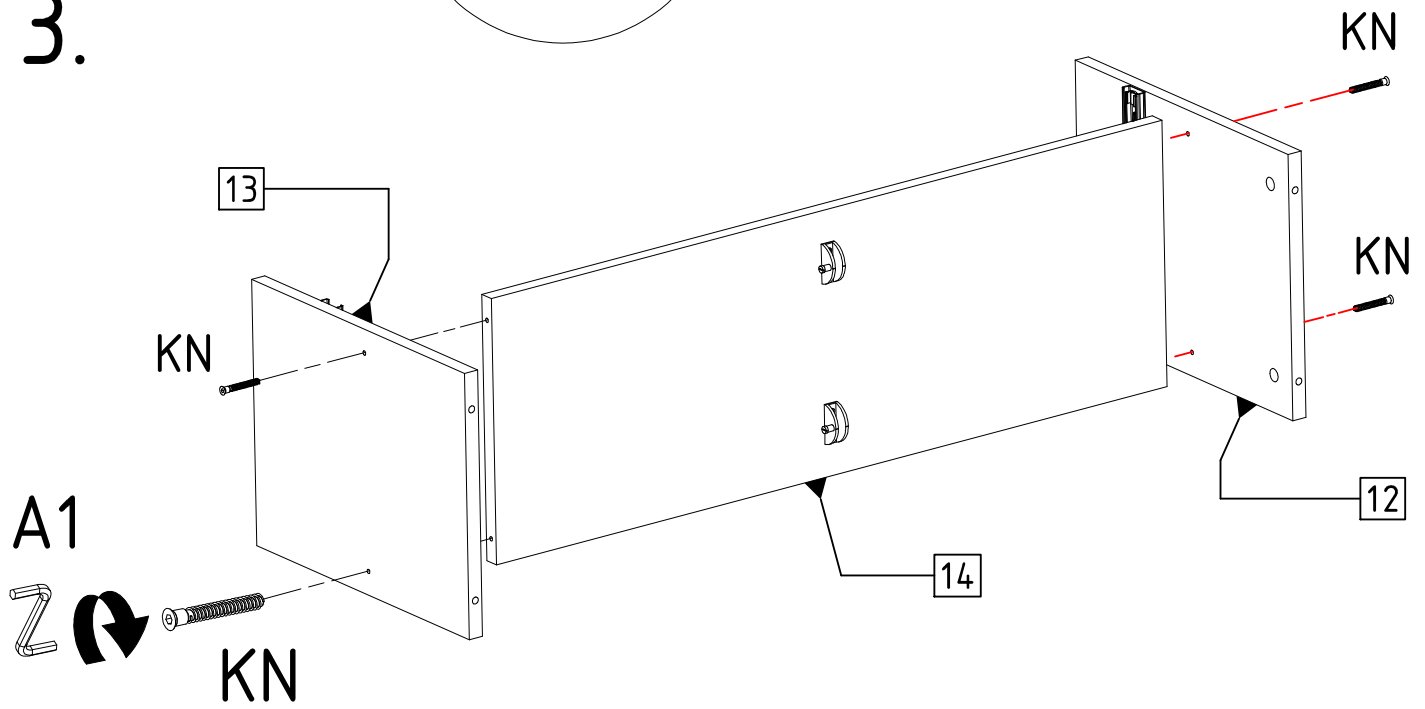


2.





3.

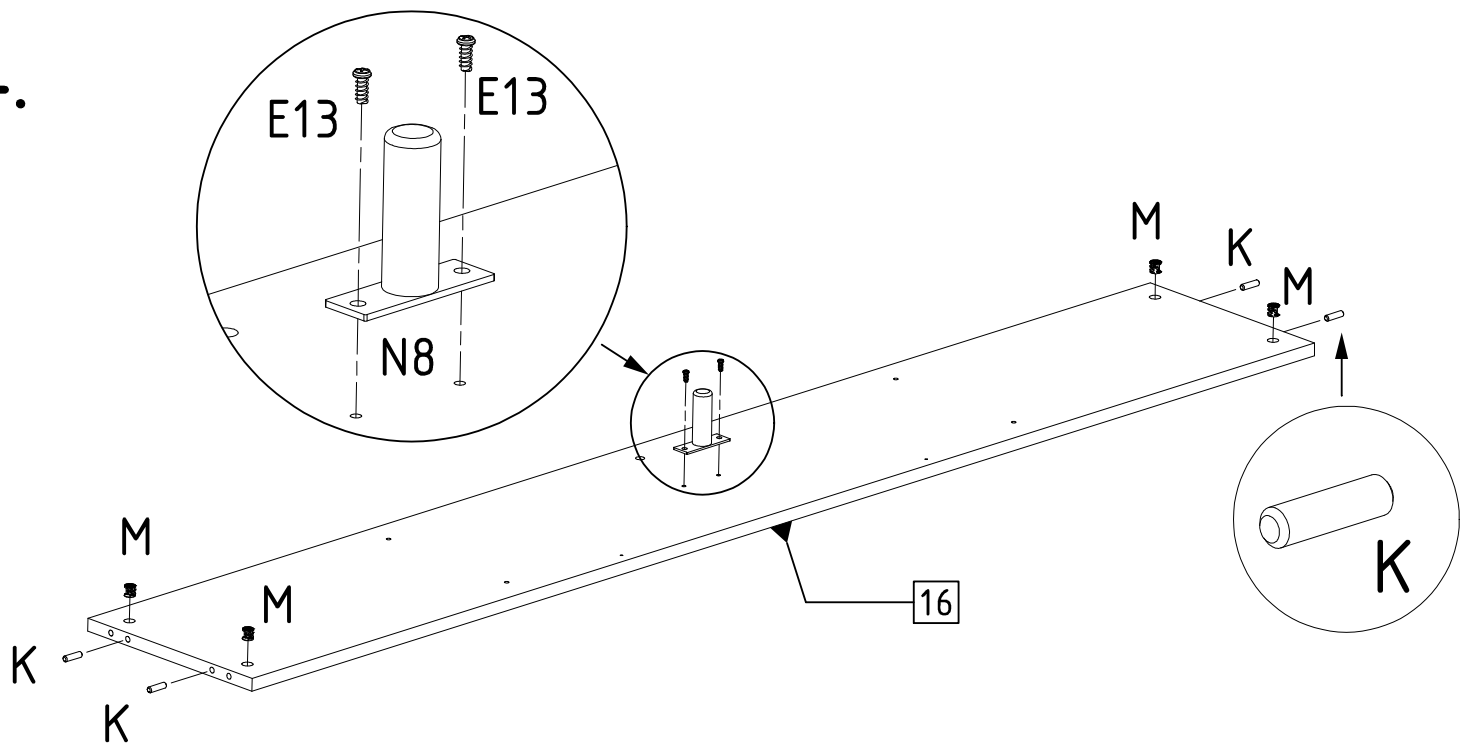


A1



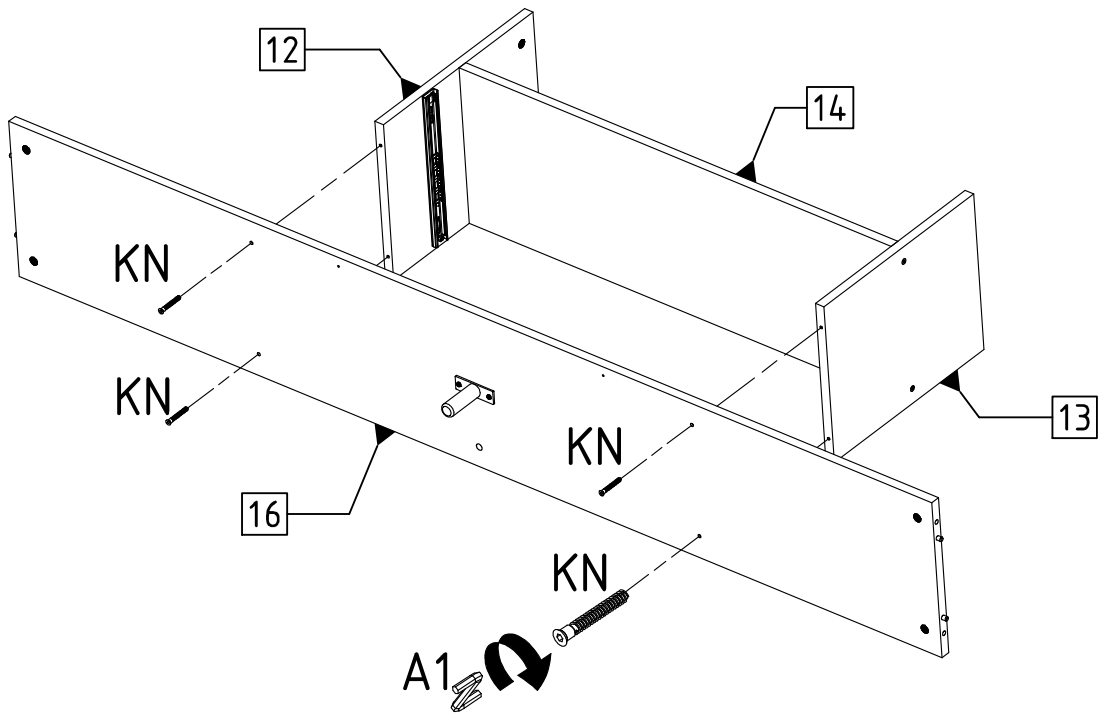
KN

4.

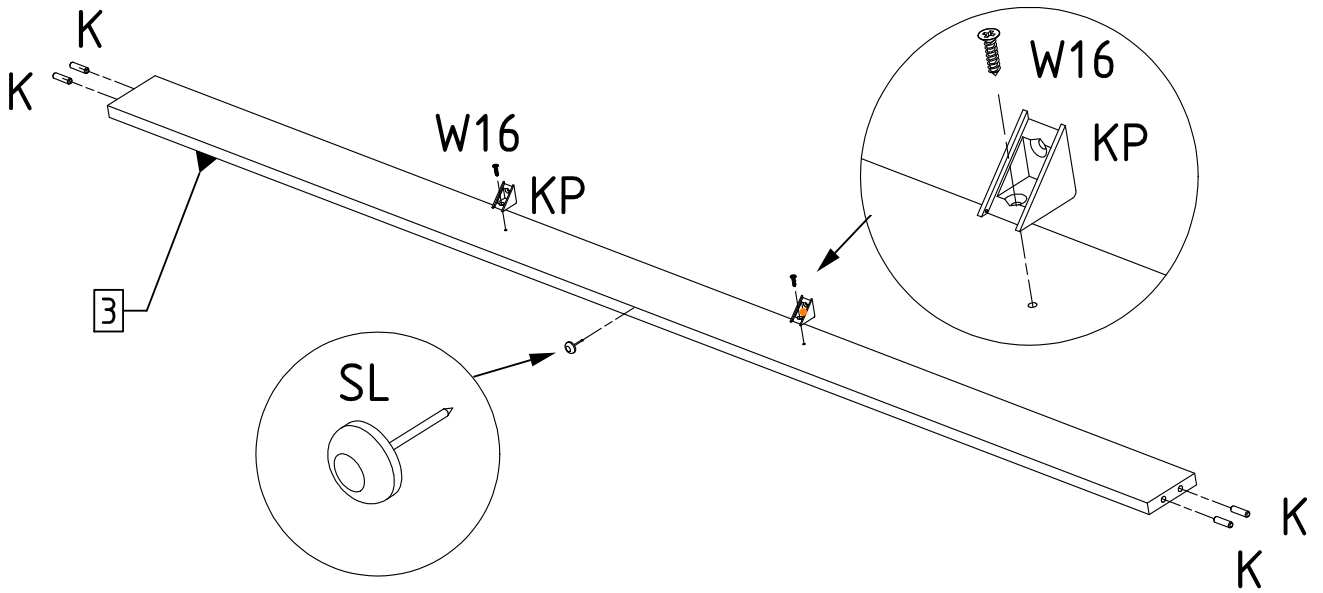


16

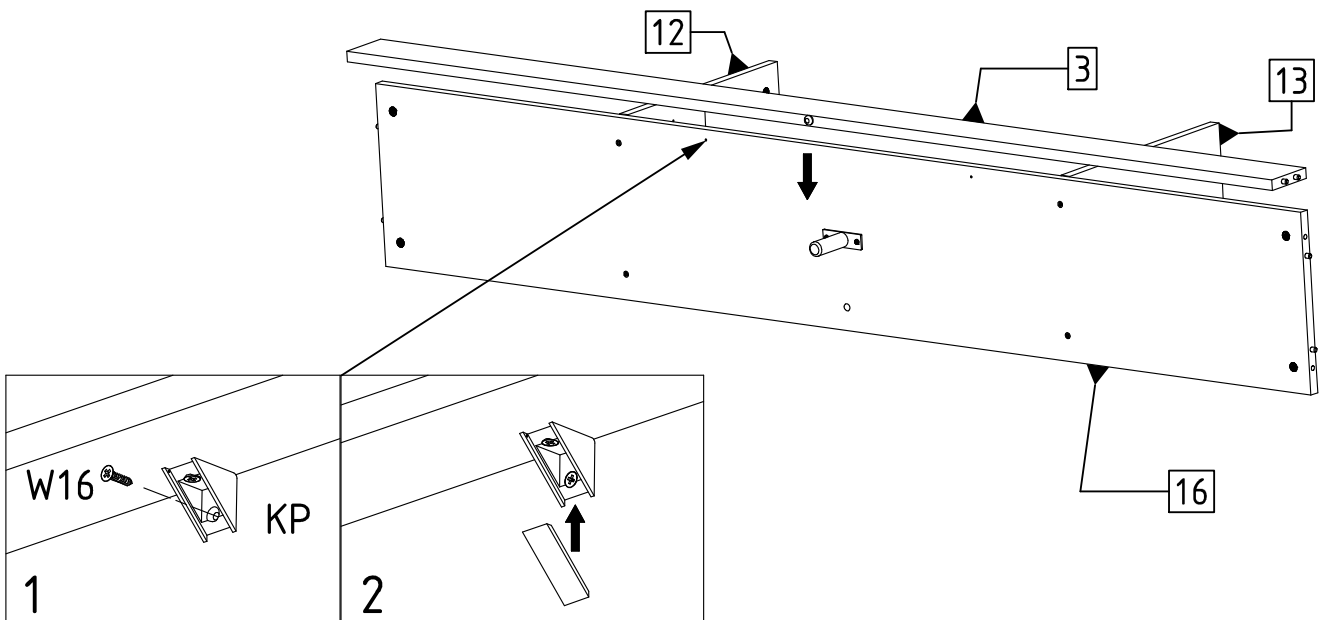
5.

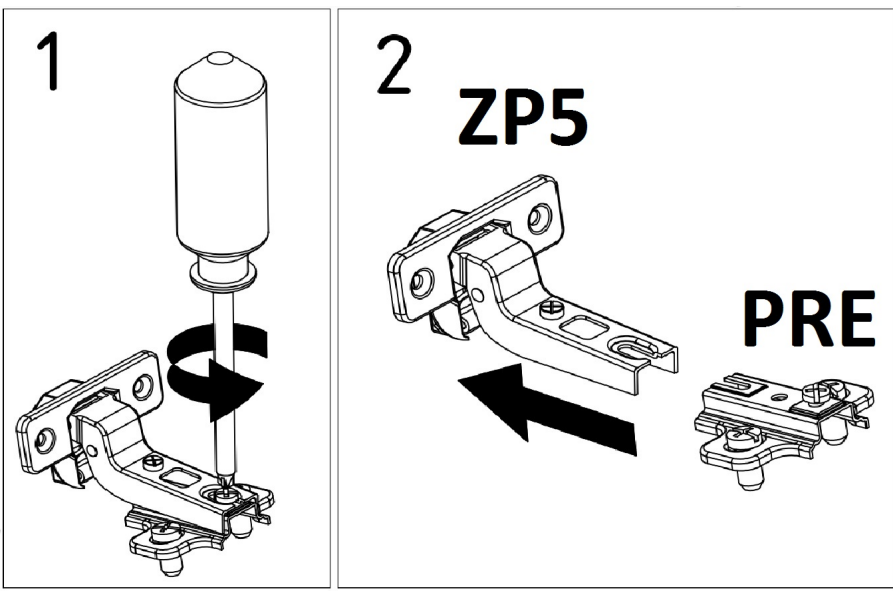


6.

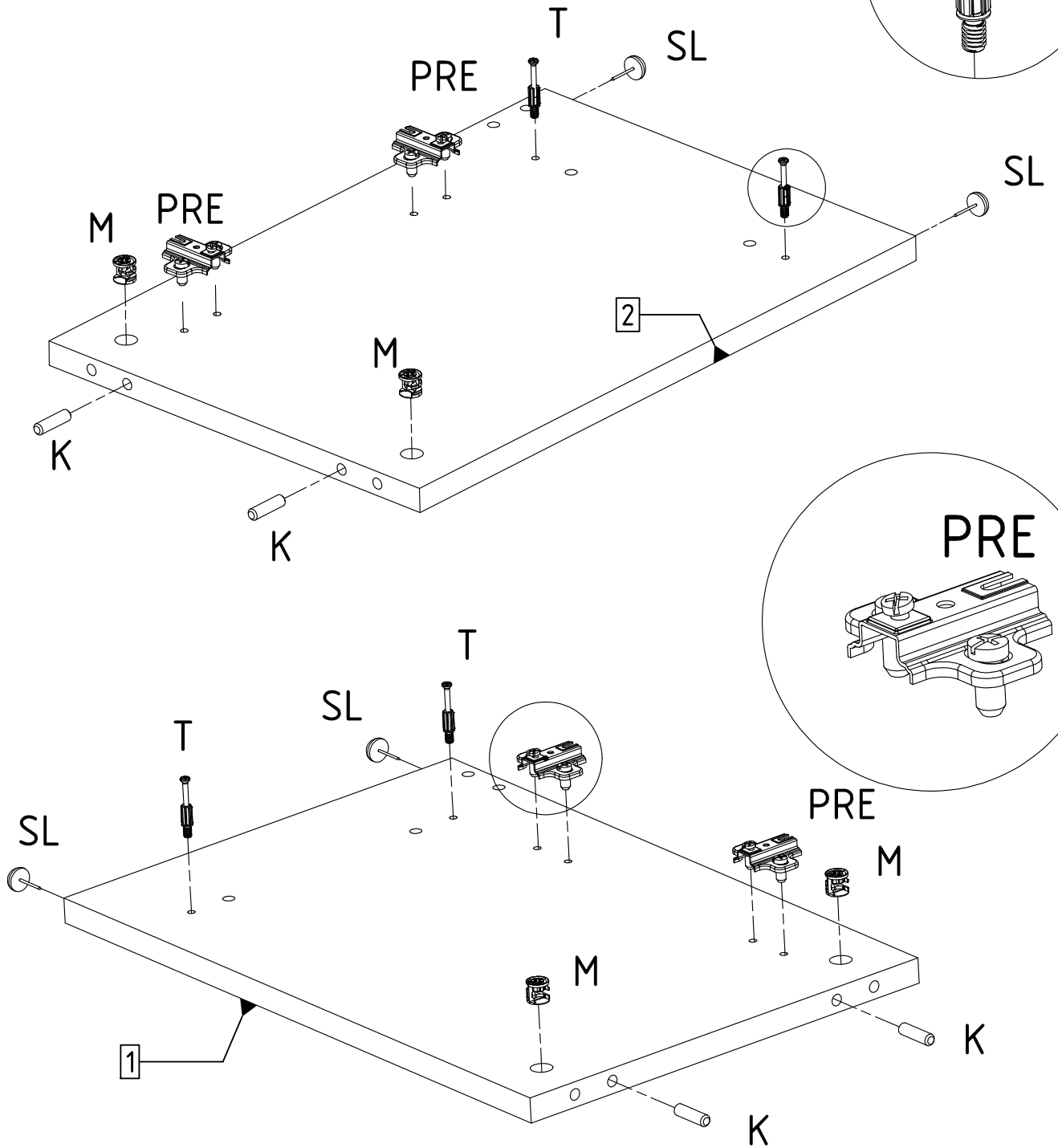
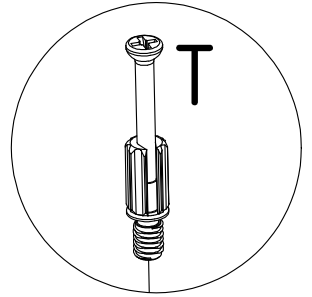


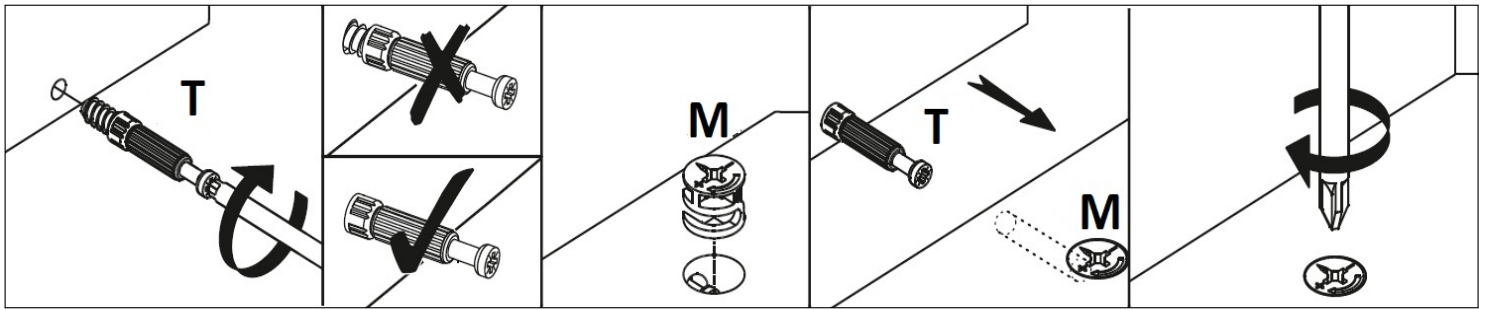
7.



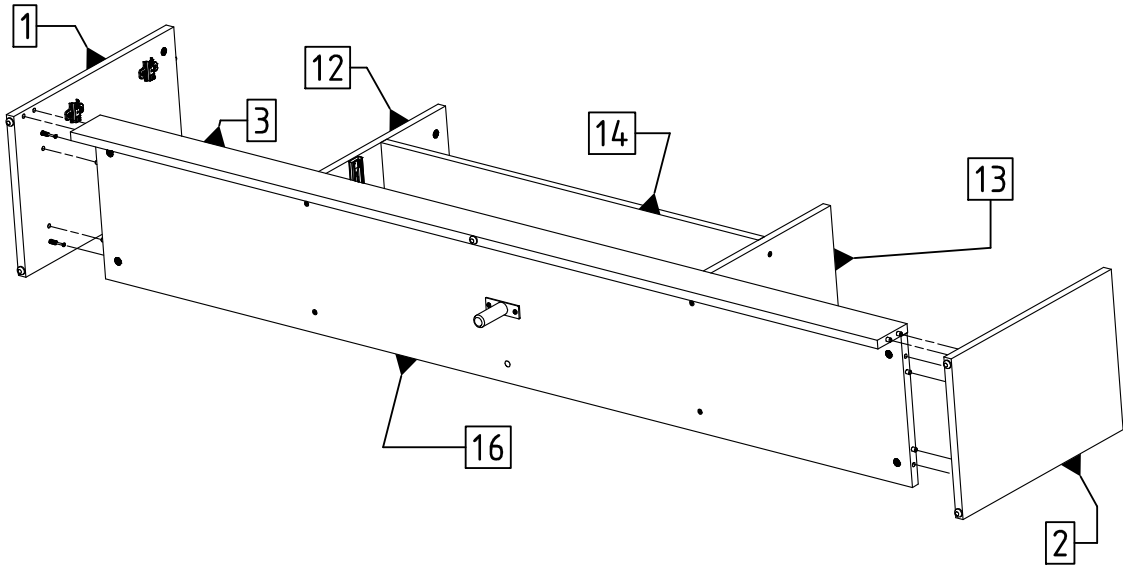


**8.**

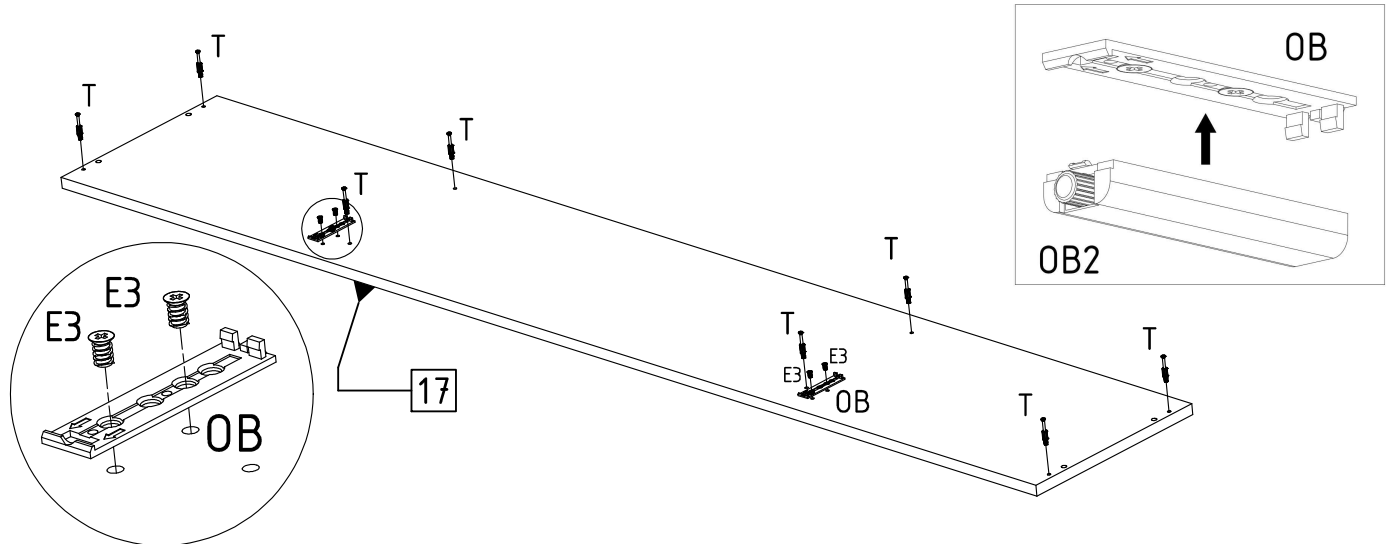




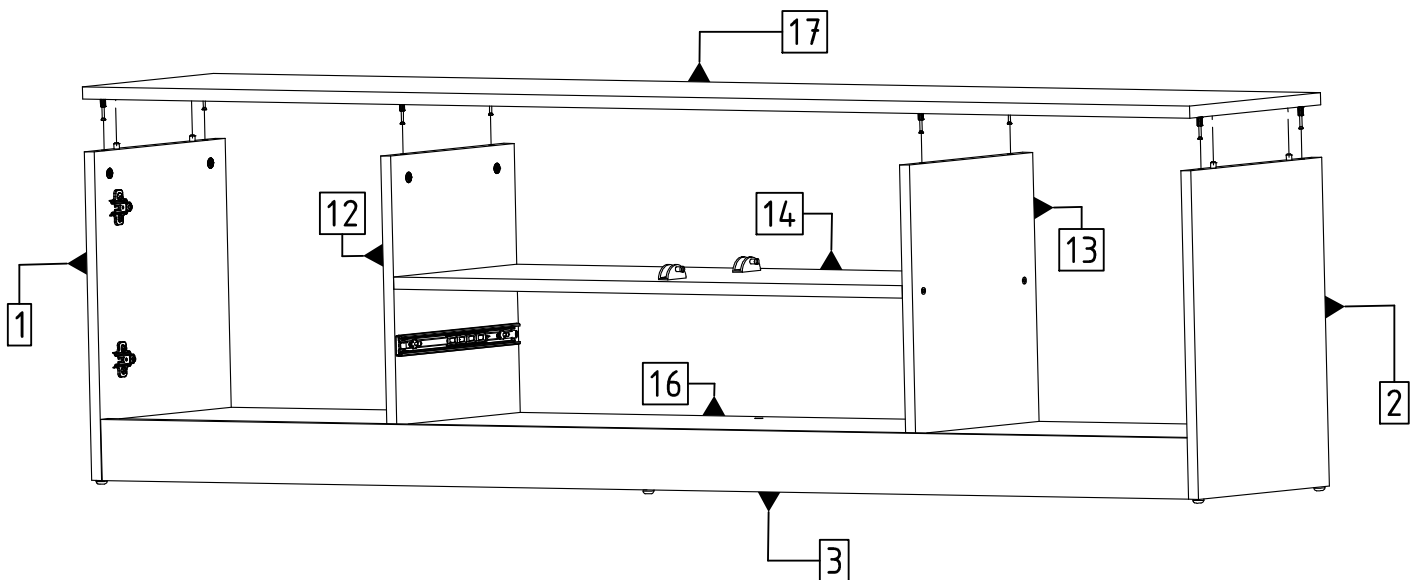
9.



10.

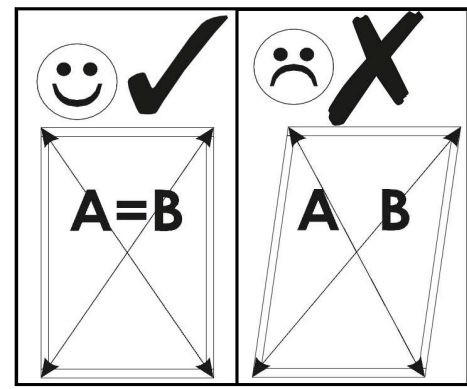
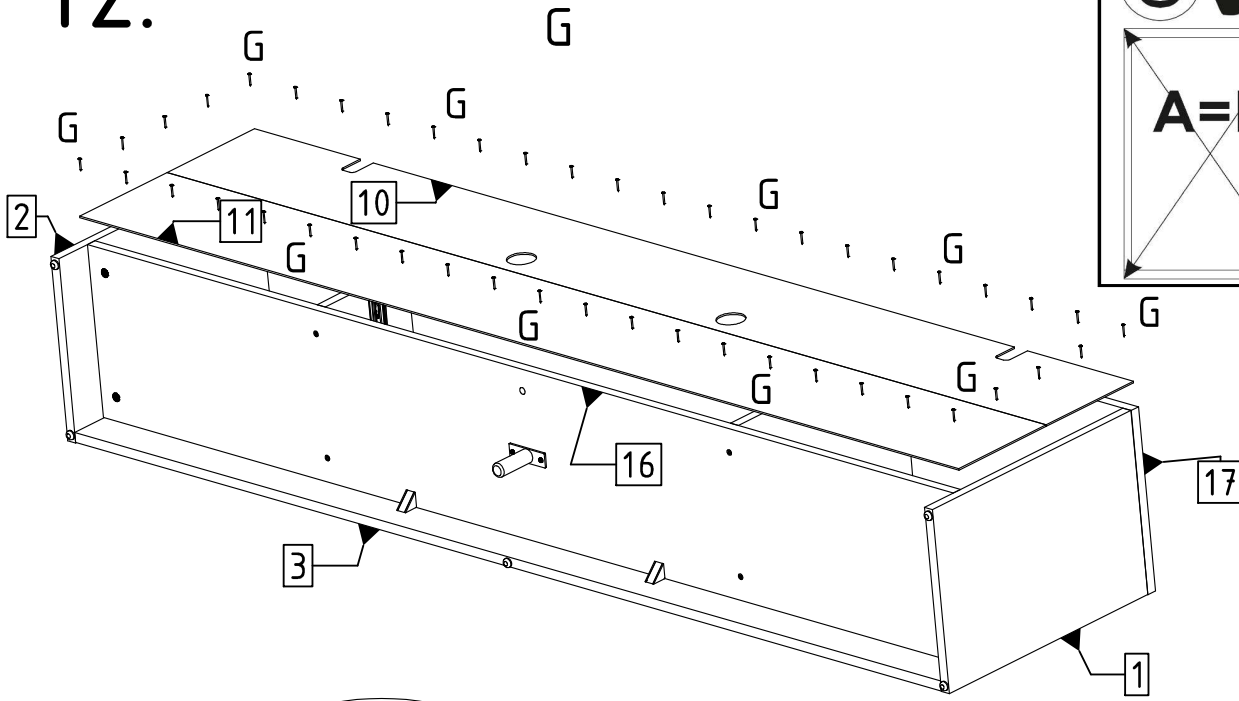


11.

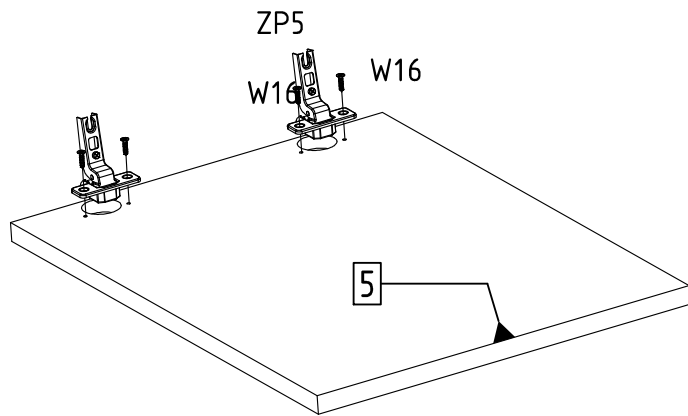
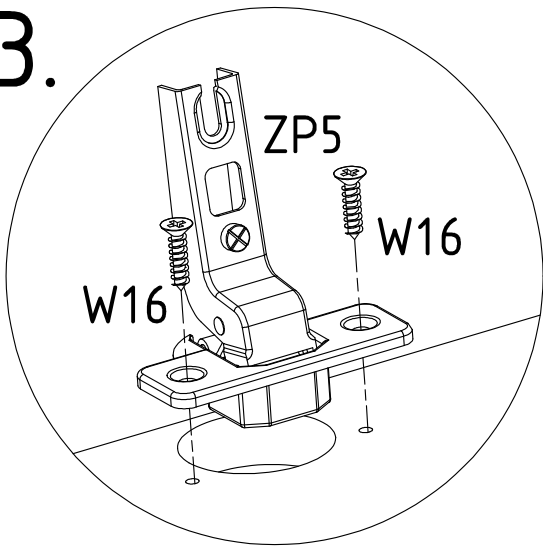




12.

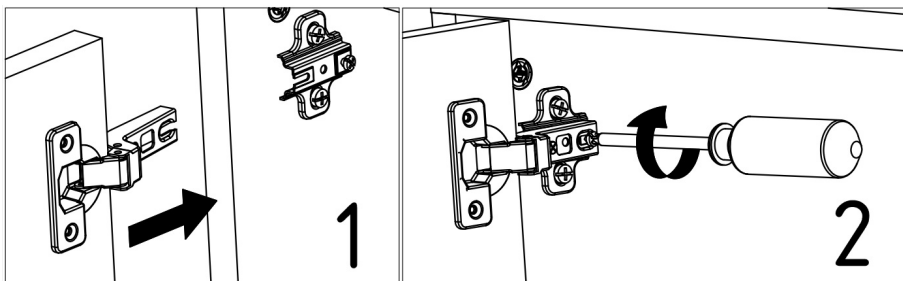
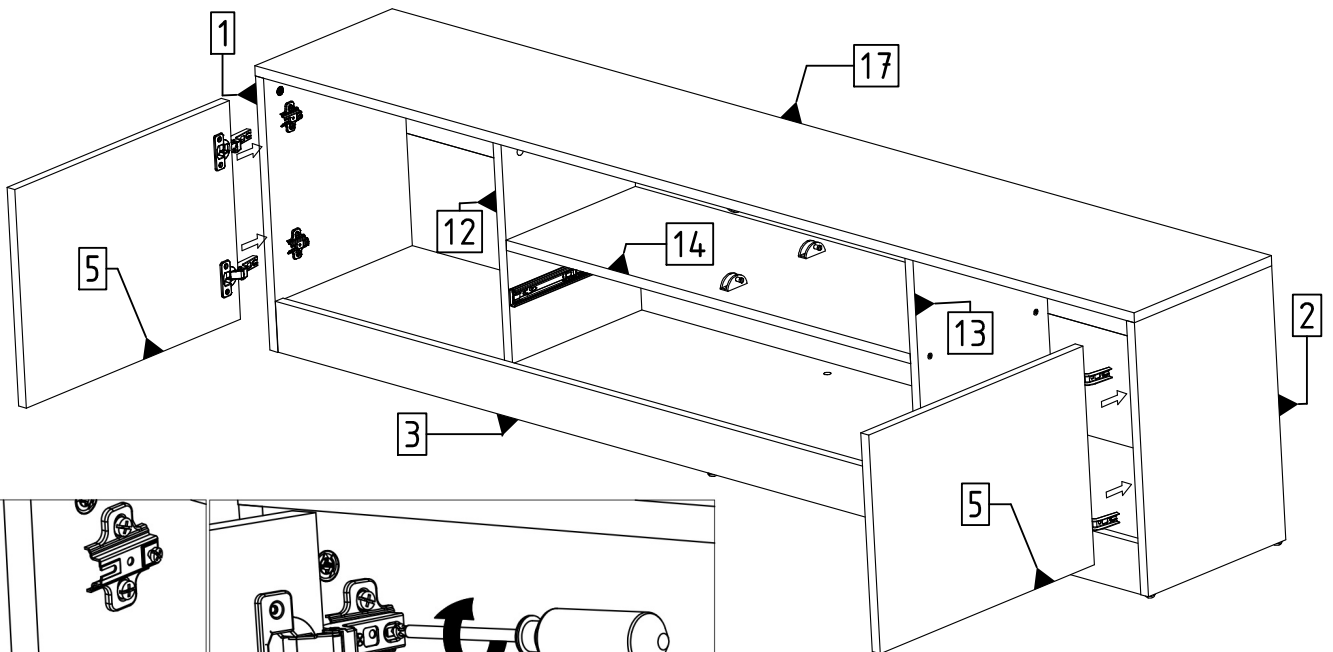


13.

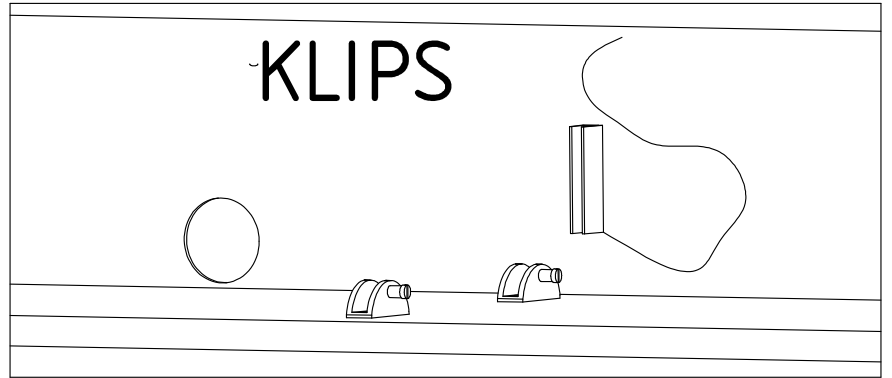
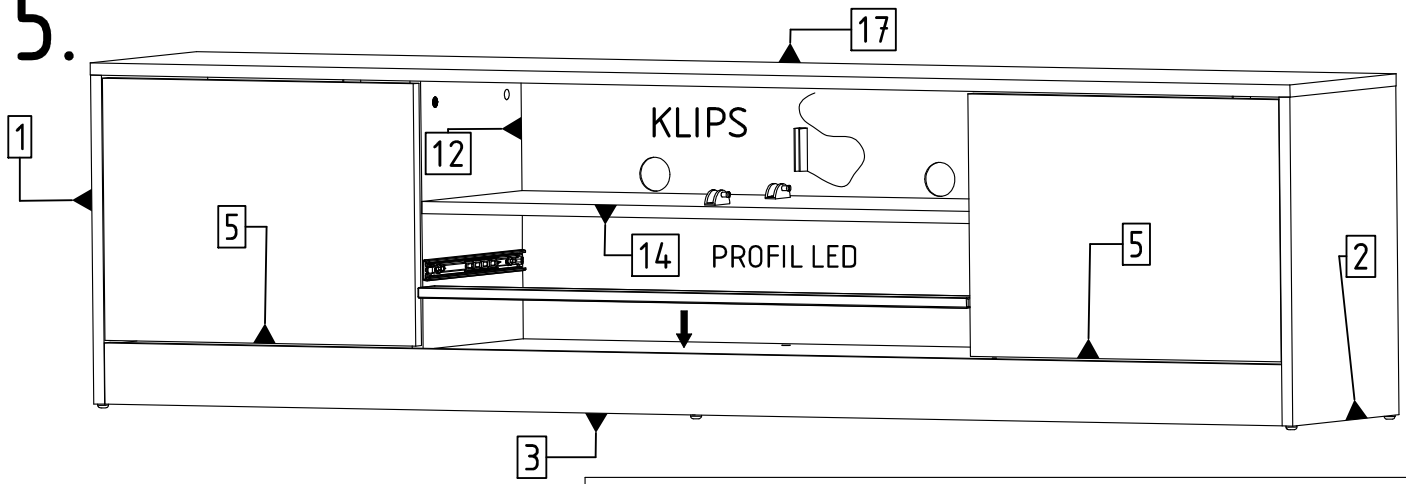


x2

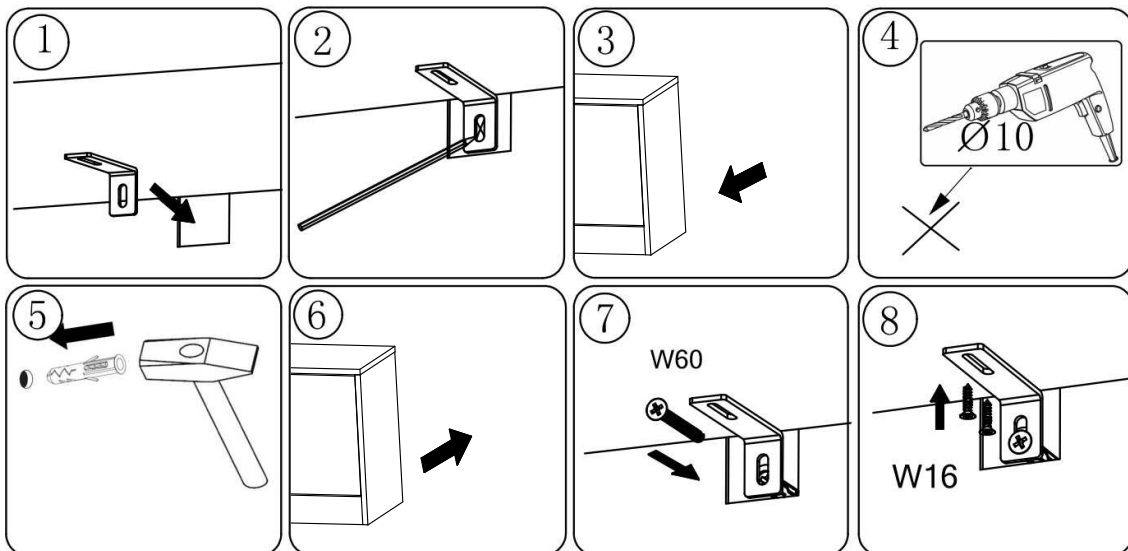
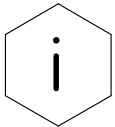
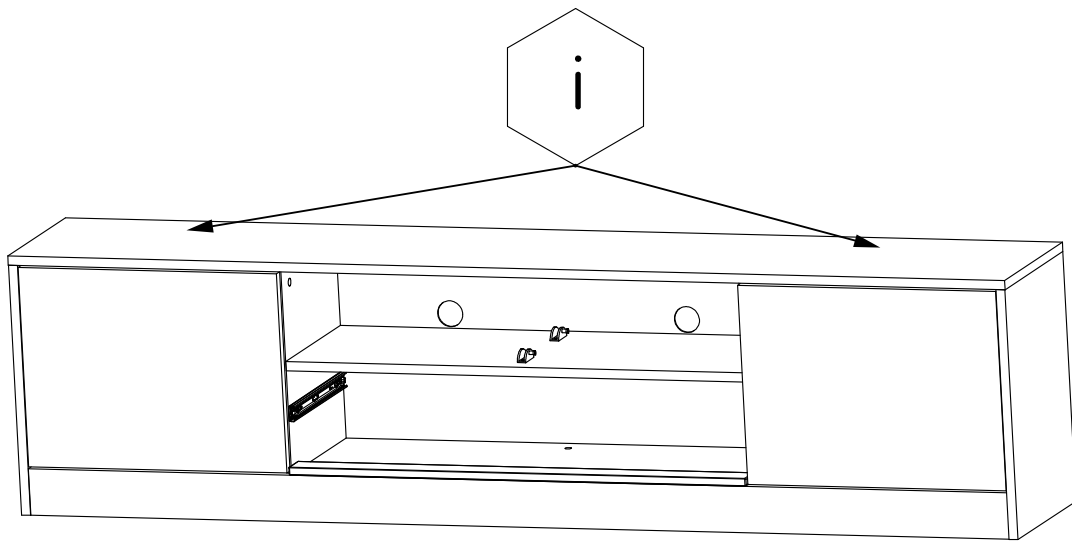
14.



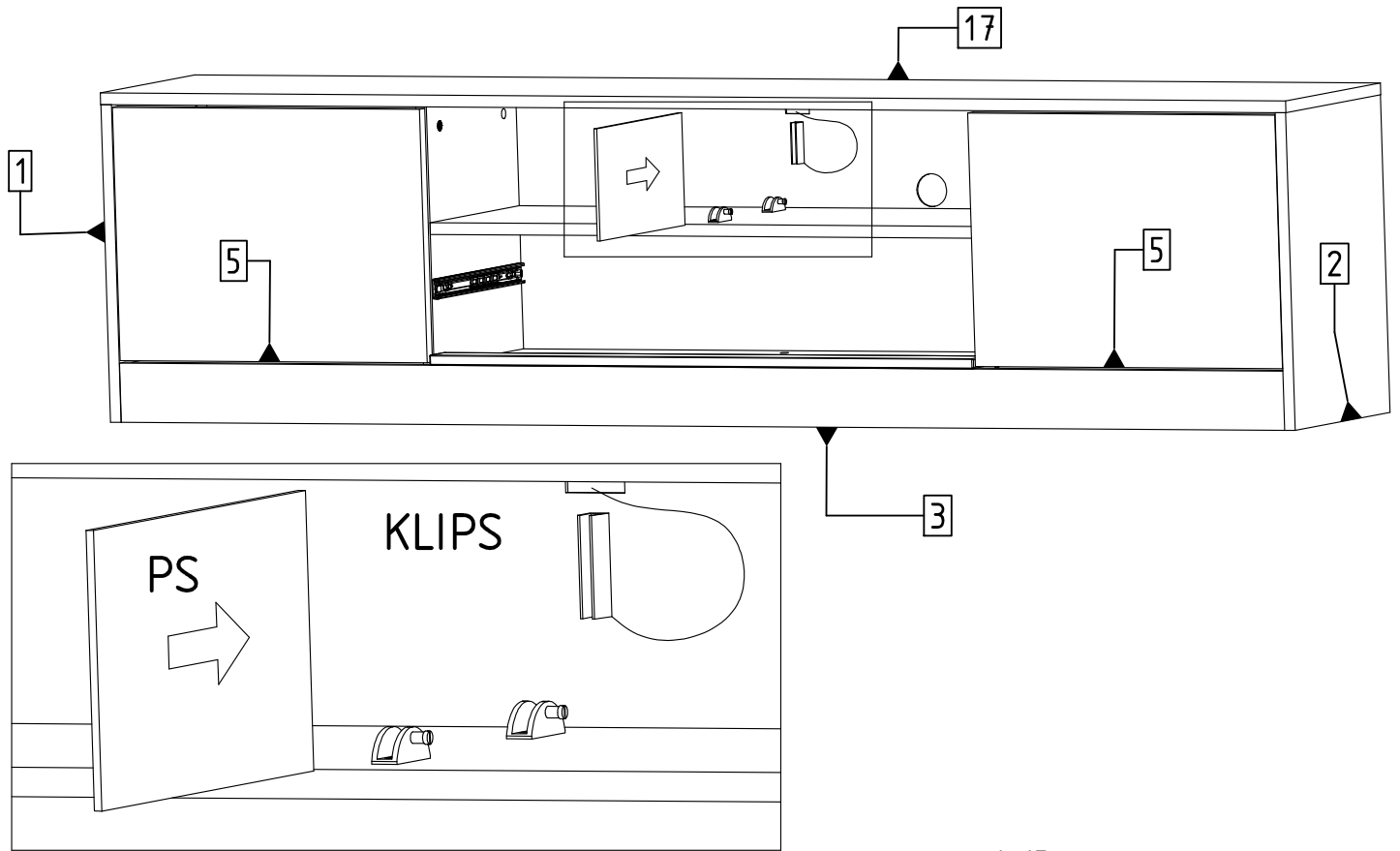
15.



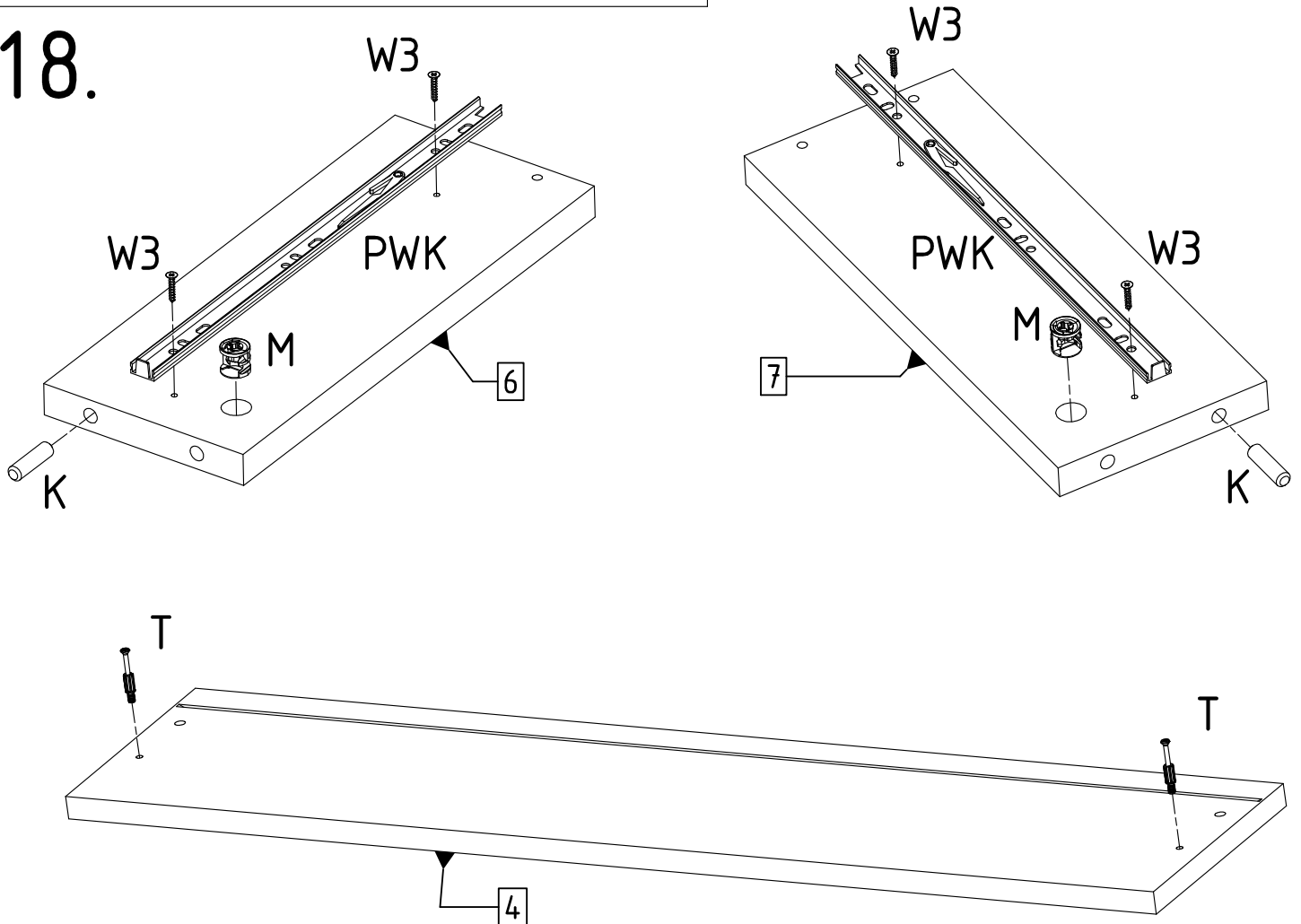
16.



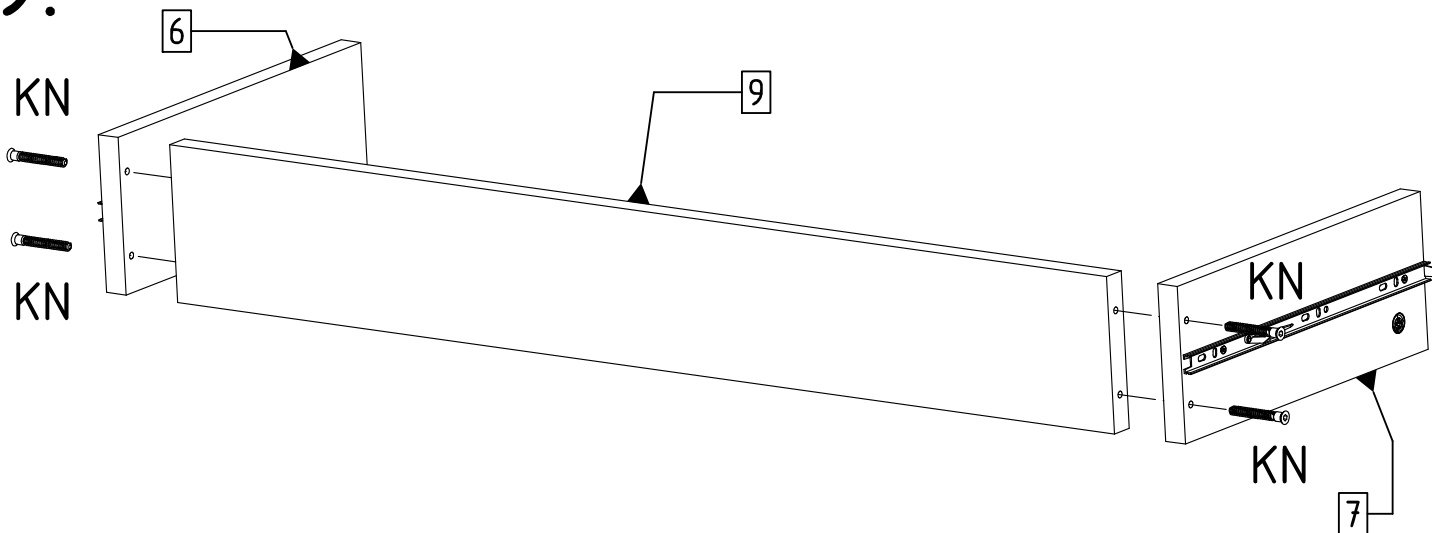
# 17.



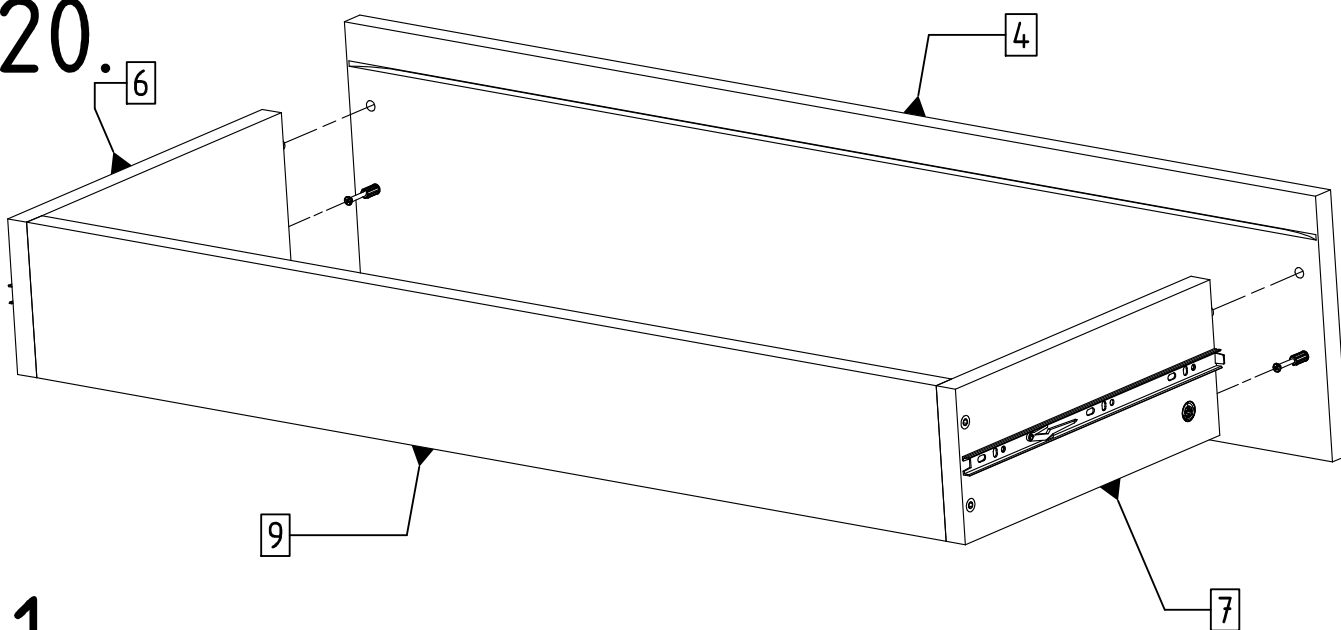
# 18.



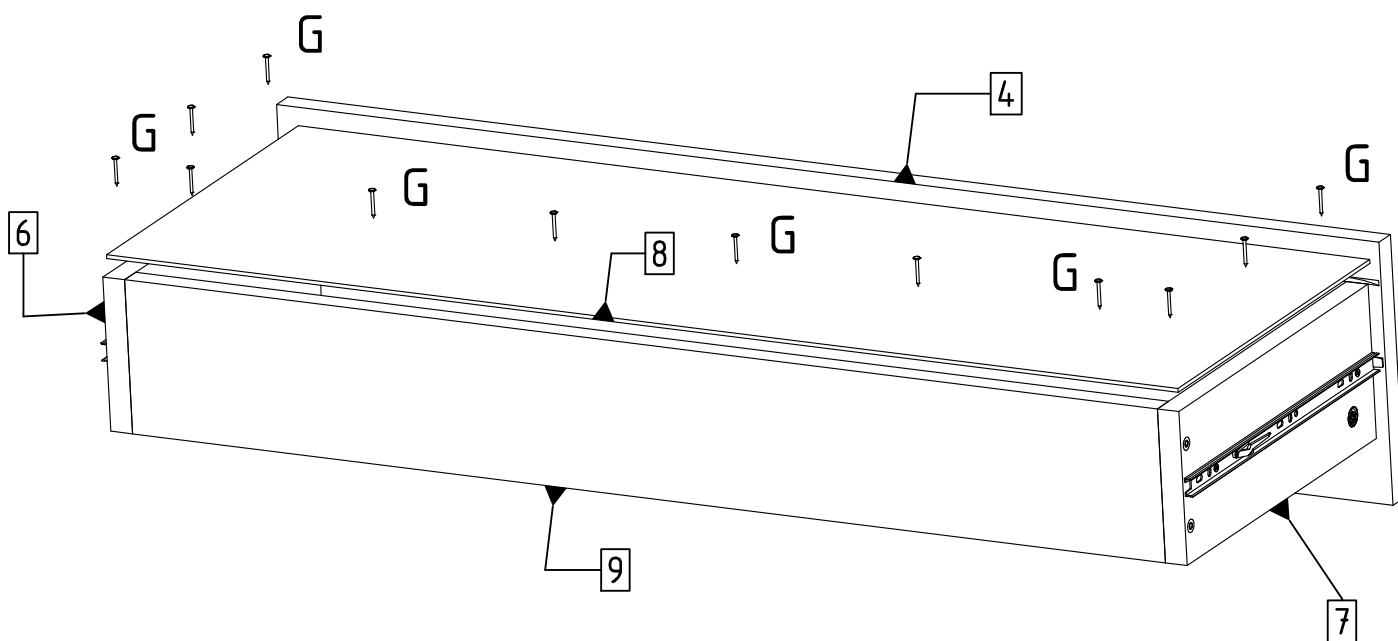
# 19.



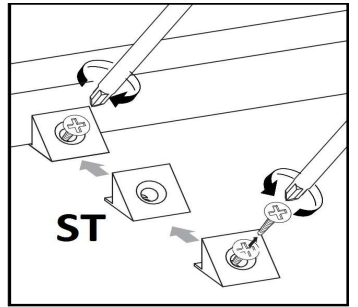
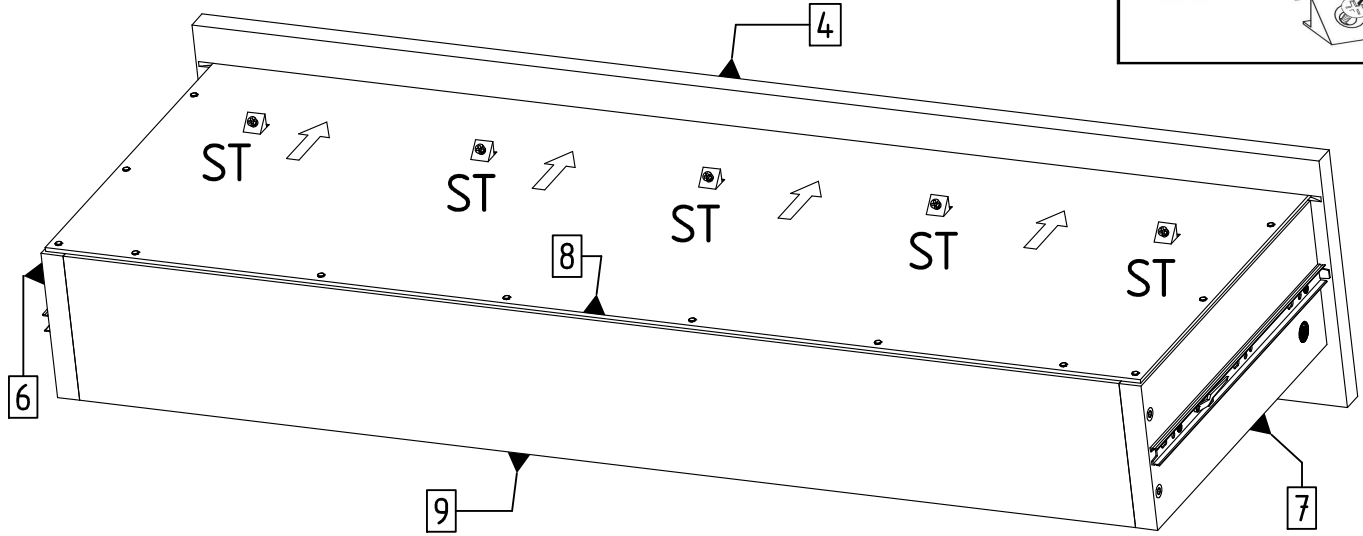
# 20.



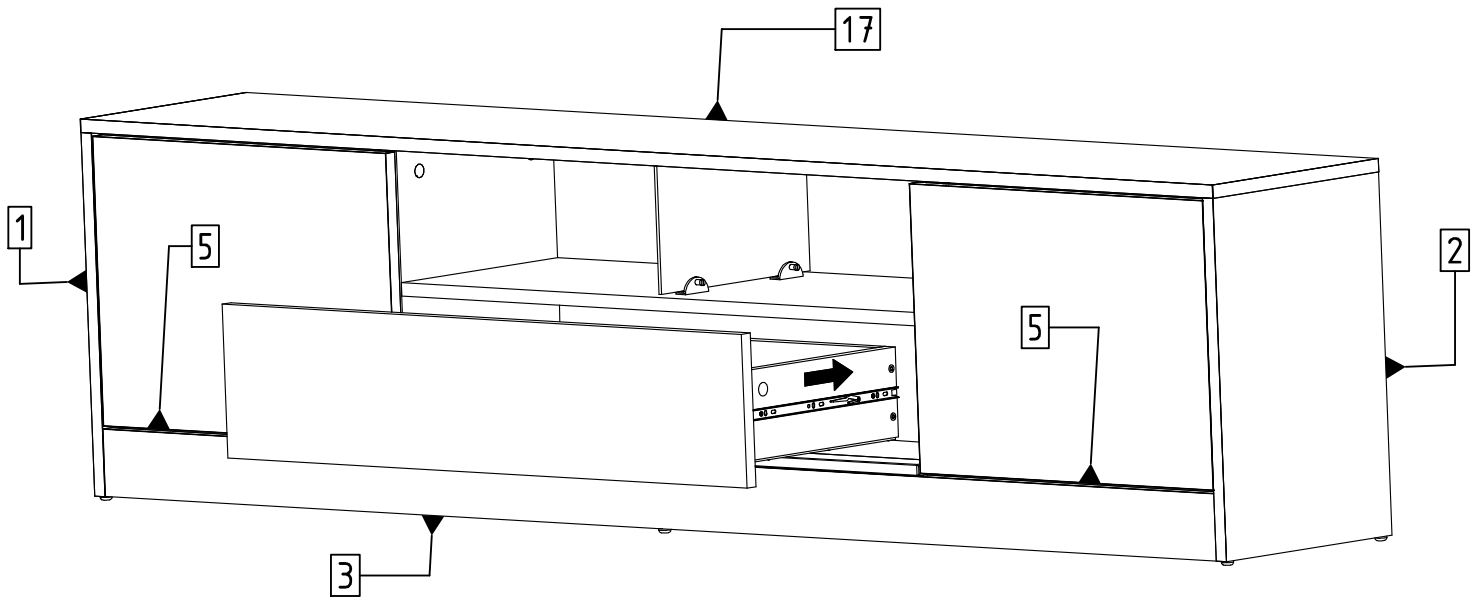
# 21.



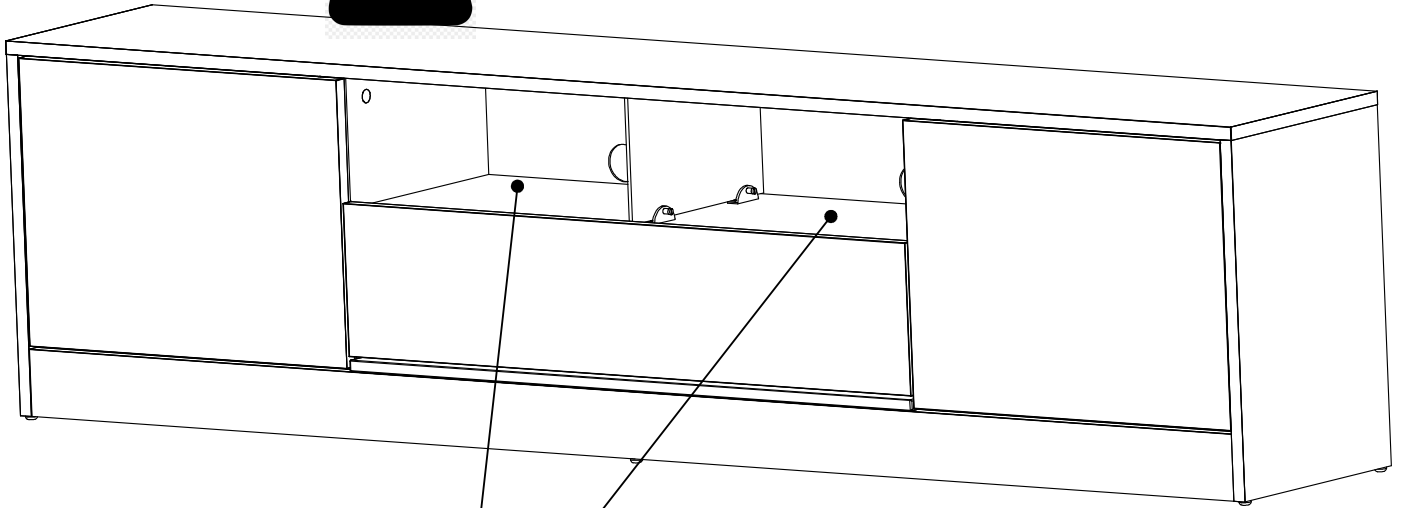
22.



23.



 **max.  
15kg**



**max.  
15 kg** 

